

Instruction Manual

ISO 9001
REGISTERED

1.0 DESCRIPTION

Type: Liquid filled type & Gas filled type

Temperature Range: Liquid filled type: -70°C~+400°C;

Gas filled type: -200°C~+650°C

Remote Capillary Length: Liquid filled type: 20M max.;

Gas filled type: 30M max.

Electric Contact: 1~2 Contacts

Micro Switch Type, SPDT: Nominal operating voltage: 250 VAC max.;

Current: 5A max.

Alternatively Switch Data:

Nominal operating voltage: 28 VDC max.; Current: 5A max. (ohmic load);

3A max. (inductive load); Contact material: Pure silver 999.9;

Ambient temperature: -20°C ~ +70°C

Explosion Proof Class: Class I, Groups B, C & D; Class II, Groups E, F & G; Class III

Material of Case & Cover: Aluminum alloy die-casting

Switch Acting Differential: ±1.6~3% F.S

Contact Adjusting Method: Internal adjusting method

Conduit Connection: ½" NPT(F)

Process Connection: ½" or ¾" NPT(M)

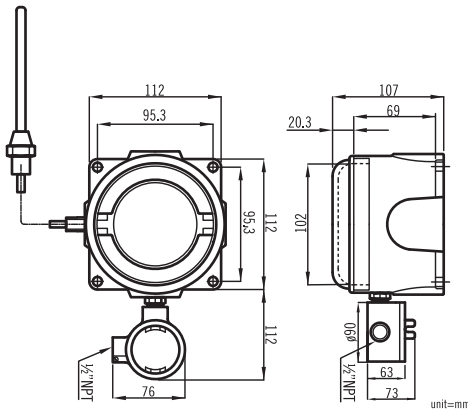
Sensor Material: Wetted parts are all in SS316



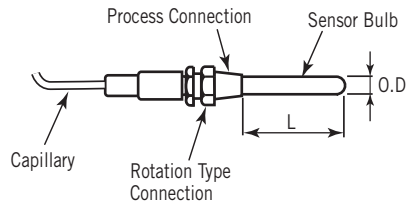
ETS3000X-C
(Capillary Type)

ETS3000X-B
(Bottom Connection Type)

2.0 DIMENSIONS—mm



3.0 MINIMUM INSERTING LENGTH OF SENSOR BULB



4.0 SETTING STEPS FOR ONE ALARM SWITCH



Fig.1: ETS3000W加上開關外觀圖。
Exterior view of the switch.



Fig.2: 首先用十字螺絲起子拆開表蓋。
First, open the cover with a cross-head screwdriver.

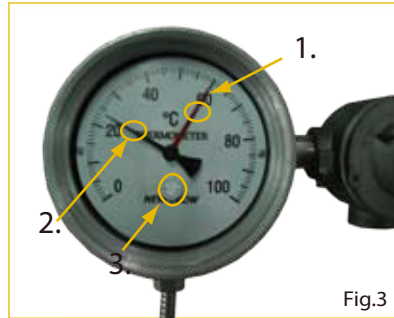


Fig.3:

1. 設定點紅色指針(Alarm用)。
功能: 指示Alarm設定值用。
Setpoint red indicator (for alarm).
Function: Alarm setpoint indication.
2. 黑色指針。功能: 指示溫度值。
Black indicator.
Function: Temperature indication.
3. 設定旋鈕(set nob)。
功能: 操作設定指針用, 順時針轉動
設定鈕, 設定值增大, 反之逆時針
轉動設定值減少。
Set Nob. Function: To operate and set the
red indicator. Turn the nob clockwise to increase
the value of the setpoint.
Turn the nob counterclockwise to decrease.

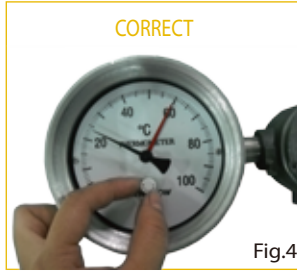


Fig.4

Fig.4: 正確設定方式—用手指轉動設定鈕, 使設定點指針
到達要求的設定值之刻度點上。

Correct setting method—Turn the set nob by hand to set the
red indicator to the desired setpoint value.

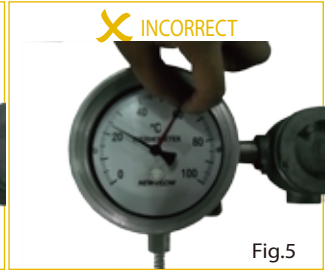


Fig.5

Fig.5: 錯誤設定方式—不可用手直接移動設定點指針, 以免
設定點不準及設定元件無法跟設定指針同步alarm。
DO NOT move the red indicator by hand to avoid incorrect setpoint
and malfunction of setting components.



Fig.6

Fig.6: 設定好後, 請把表蓋
鎖緊, 以防水氣入侵。
After setting up the switch,
close the cover tightly to
prevent water penetration.



Fig.7

Fig.7: 打開接線盒。
Twist to open the junction box.



Fig.8

Fig.8: 接線端子座。
接線方法請參照一旁標示。
分為COM/NO/NC。
Follow the labels on the junction
box to complete the wiring.
Terminals include: COM/NO/NC.

ETS3000X_2