



ISO 9001  
REGISTERED

# NEW-FLOW

MANUFACTURE OF DIFFERENTIAL PRESSURE GAUGE

**DPH200 & DPH300 & DPH400**

AND CONTROL INSTRUMENTS

差壓計操作說明書

## Instruction Manual



DPH200



DPH400



DPH300

**Approvals:**



**ABS**

TYPE APPROVED PRODUCT

**Patent No.**

M449263

China: ZL 2012 2 0666839.5

**NEW-FLOW TECHNOLOGIES, INC.**

No.9 Lane 133, Xing-Hua St., Chien Chen Dist., Kaohsiung 806, Taiwan

TEL: 886-7-8135500 FAX: 886-7-8225588 / 8159758

Email: [info@new-flow.com](mailto:info@new-flow.com) [www.new-flow.com](http://www.new-flow.com)

# TABLE OF CONTENTS

1.0 Introduction and Description.....page 1

TEL: 886-7-8135500 FAX: 886-7-8225588  
e-mail: [info@new-flow.com](mailto:info@new-flow.com)  
<http://www.new-flow.com>  
Instruction No.: 20170223-dph200/300/400

# 1.0 INTRODUCTION & DESCRIPTION

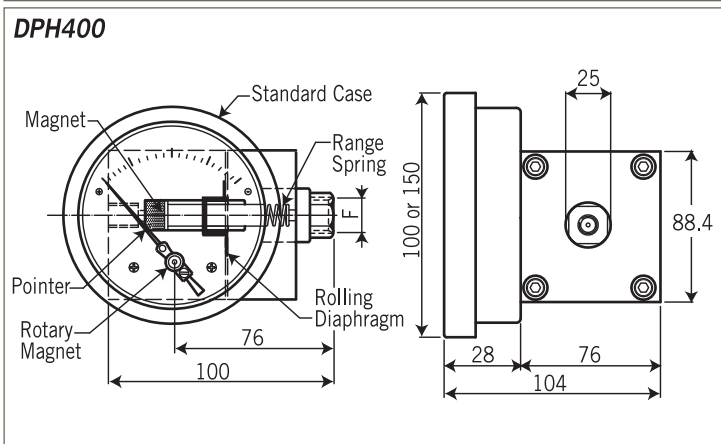
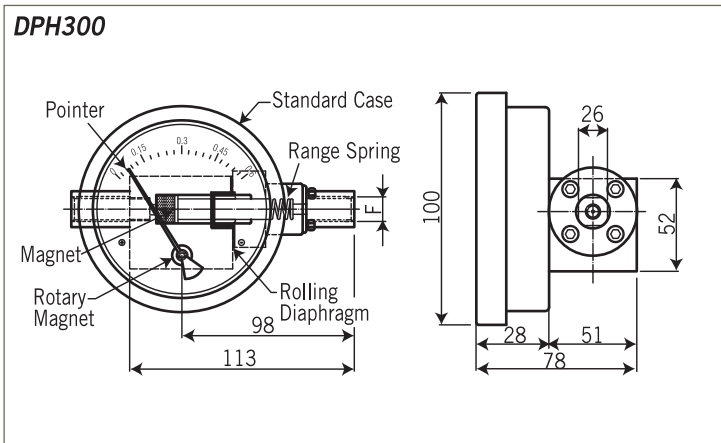
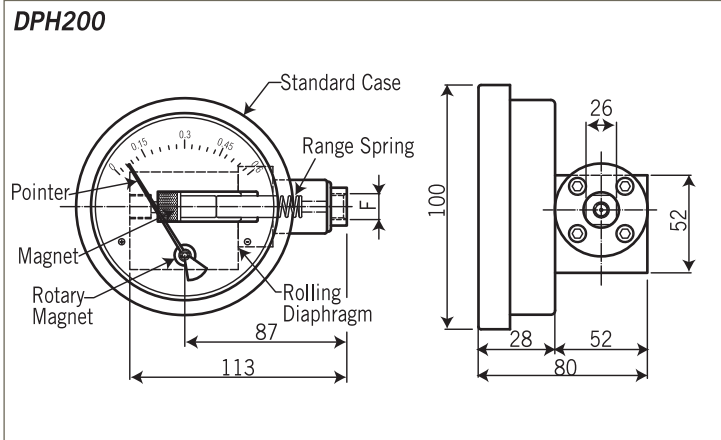
## Principle

DPH200/300/400 series consist of high and low pressure ports. Spring and diaphragm as well as magnet couple with pointer. Differential pressure indicated on dial due to  $\Delta P$  pressure of high side and low side be made from magnet couple with pointer.

## Technical Data

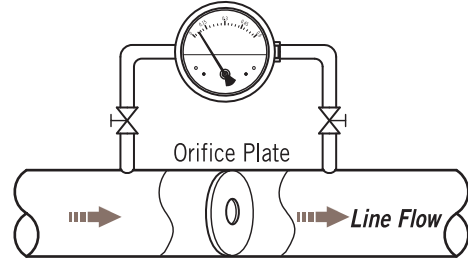
**Accuracy:**  $\pm 2\%$  FS. (ascending)  
**Working Pressure:** 200 kg/cm<sup>2</sup>  
**Working Temperature:** 80°C

## Dimensions & Parts List

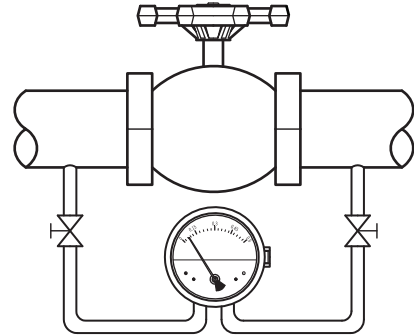


## Applications & Installed Guide

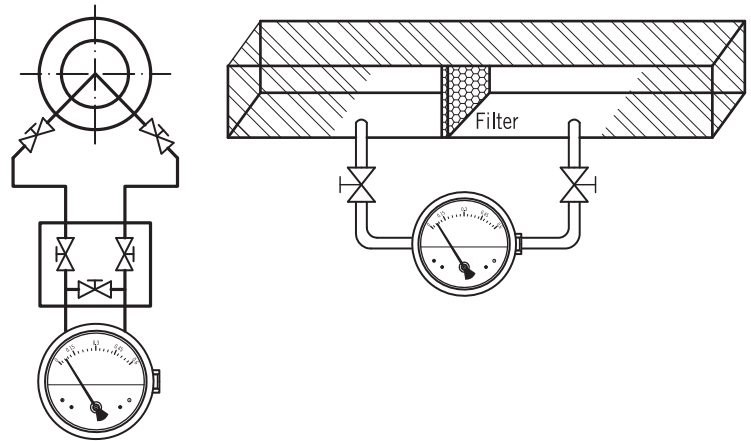
### (1) PRESSURE REDUCING FOR HIGH POEURESSURE SYSTEM



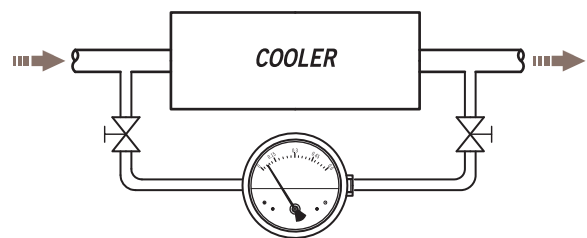
### (2) PRESSURE LOSS TEST FLOW VALVE



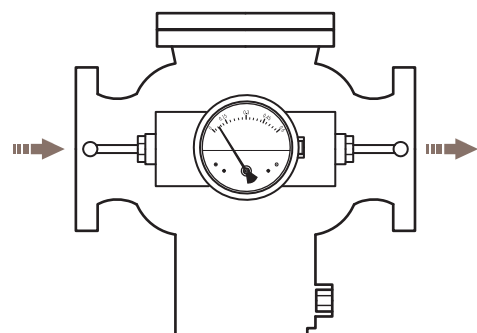
### (3) D/P FLOW ELEMENT (4) FOR FILTER IN AIR FLOW SYSTEM



### (5) PRESSURE LOSS FOR COOLER SYSTEM



### (6) DIFFERENTIAL PRESSURE INDICATING FOR LIQUID STRAINER





**Golden Mountain Enterprise Co., Ltd.**

No. 9 Lane 133 Xing-Hua St. Chien-Chen Dist. Kaohsiung City 806, Taiwan

TEL: 886-7-8135500 FAX: 886-7-8225588

Email: [info@new-flow.com](mailto:info@new-flow.com)

<http://www.new-flow.com>