

BACK PRESSURE REGULATOR

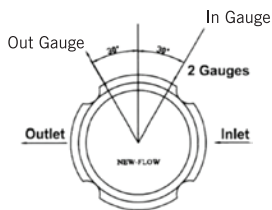
BPR SERIES-10

BPR Series-10 designed for control and relief upstream line pressure to apply in instrumentation systems, analyzer system and pilot plant.

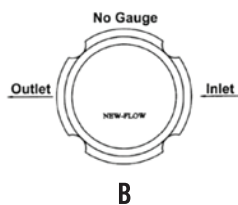
Technical Data

For using gas and liquid
Inlet pressure: 250 Psig maximum
Adjustable inlet relief pressure in ranges:
 3~35; 6~85; 17~125; 20~216 Psig
Operating temperature: -40 to 175°C
Diaphragm material: 316L stainless steel
Body material: 316L stainless steel
Seat material: Viton, FFKM available
CV flow coefficients: 1.0
Process connection: ¼" and ½"NPT female
Two gauge connection ports are: ¼"NPT female
 Use no oil: available

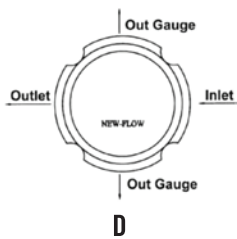
Standard Port Configuration



A



B



D

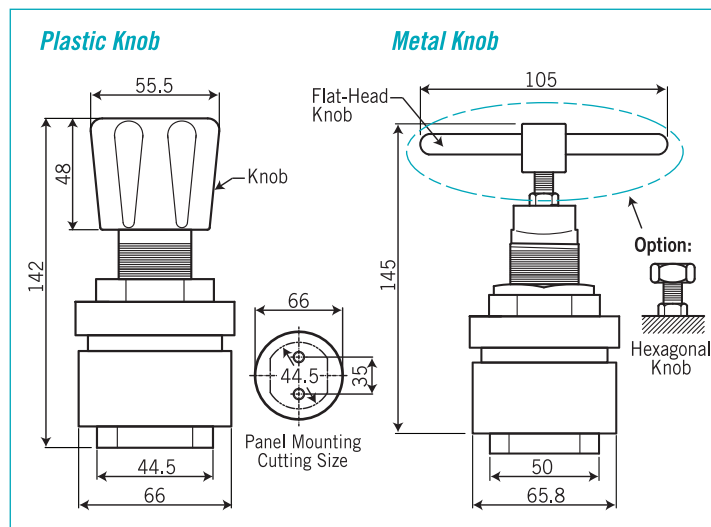


Plastic Knob

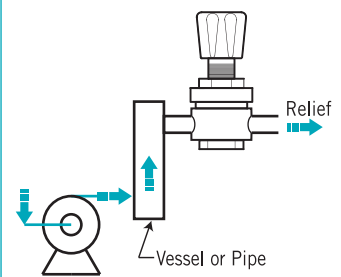


Metal Knob

Dimensions-mm



Installation Mode



Ordering Information

BPR	Code	Type
	10	Back Pressure Regulator
	Code	Body Material
	1	316L stainless steel
	Code	Knob Material
	A	Plastic
	B	Metal (Flat-Head)
	C	Metal (Hexagonal)
	Code	Max. Inlet Pressure
	1	250 Psig
	Code	Inlet Relief Pressure Range
	(0)	3~35 Psig
	(1)	6~85 Psig
	(2)	17~125 Psig
	(3)	20~216 Psig
	Code	Seat Material
	A	Viton
	B	FFKM
	Code	Port Configuration
	A	
	B	
	D	
	Code	Process Connection
	A	¼"NPT(F)
	B	½"NPT(F)

Complete Ordering Code