

# DIGITAL PRESSURE GAUGE 3"

## DPG3000T

**Pressure Unit Choices Available: psi-Bar-MPa**  
**Analog Signal, NPN Transistor Available**  
**Zero Offset**  
**LCD Digital Display**  
**ISO 9001**

The New-Flow DPG3000T Digital Pressure Gauge offers  $\pm 0.5\%$  full scale accuracy, while SS316 wetted part provides a variety of applications in media of fluids and gases for the industrial field and the commercial field.

### Technical Data

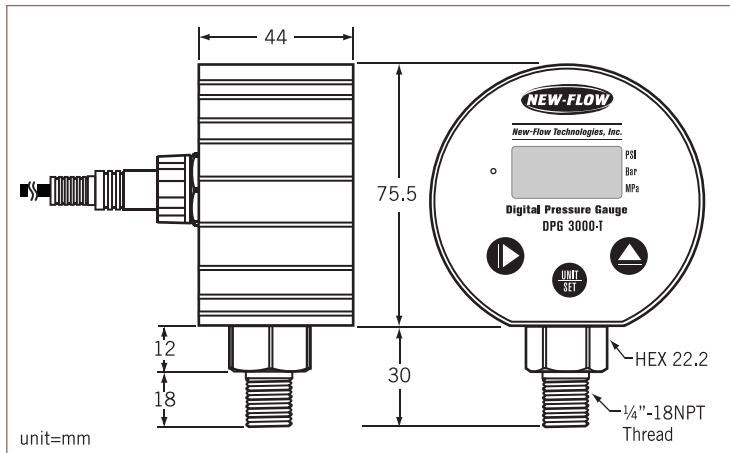
- Peak Hold zero adjustment**
- Accuracy:**  $\pm 0.5\%$  of full scale ( $\pm 1\%$  of full scale for 15 & 50 psi)
- LCD Display:** 30 X 14.5 mm, with 4 digital
- Dimension:** 3", H10.5 X W4.5cm
- Operating Temperature:** -10 to 60°C
- Over Pressure:** 2 times of F.S.
- Process Connections:** 1/4" NPT Male, standard
- Connection Material:** SS316
- Multiple Pressure Limit:** Psi, Bar, MPa
- Power Supply:** 10~30 VDC
- Output Mode:** 4~20mA or H/L pressure setting (NPN transistor)



### Range Table

Pressure Range	Accuracy	Resolution		
		PSI	Bar	MPa
15 PSI	Tpy. $\pm 1\%$ F.S.	0.01	0.001	0.001
50 PSI	Tpy. $\pm 1\%$ F.S.	0.01	0.001	0.001
100 PSI	Tpy. $\pm 0.5\%$ F.S.	0.01	0.001	0.001
200 PSI	Tpy. $\pm 0.5\%$ F.S.	0.1	0.01	0.001
300 PSI	Tpy. $\pm 0.5\%$ F.S.	0.1	0.01	0.001
500 PSI	Tpy. $\pm 0.5\%$ F.S.	0.1	0.01	0.001
1000 PSI	Tpy. $\pm 0.5\%$ F.S.	0.1	0.01	0.001
3000 PSI	Tpy. $\pm 0.5\%$ F.S.	0.1	0.1	0.01
5000 PSI	Tpy. $\pm 0.5\%$ F.S.	0.1	0.1	0.01

### Dimensions



### Ordering Information

DPG3000T	Code	Pressure Range	Connection Port		Power Supply	Output Signal
		(1) 15 psi (2) 50 psi (3) 100 psi (4) 200 psi (5) 300 psi (6) 500 psi (7) 1000 psi (8) 3000 psi (9) 5000 psi				
			Code	Connection Port		
			U	1/4" NPT	S	Customized
				Code	Power Supply	
			A		10~30 VDC	
				Code	Output Signal	
						(1) 4~20mA or H/L pressure setting (NPN transistor)
DPG3000T						Complete Ordering Code