

DIFFERENTIAL PRESSURE SWITCH EXPLOSION PROOF TYPE DPS2000X


Combine With Switch Available
Weather Proof, Piston Type
CLASS I, GROUPS B, C, D;
CLASS II, GROUPS E, F, G; NEMA 4X
Range Available: 0-0.6-14 kg/cm² (0-9-200psi)

DPS2000X consist of high and low pressure ports. Spring magnet couple with pointer. Differential pressure switch due to ΔP pressure of high side and low side be made from magnet couple combine with micro switch for using in controller system.

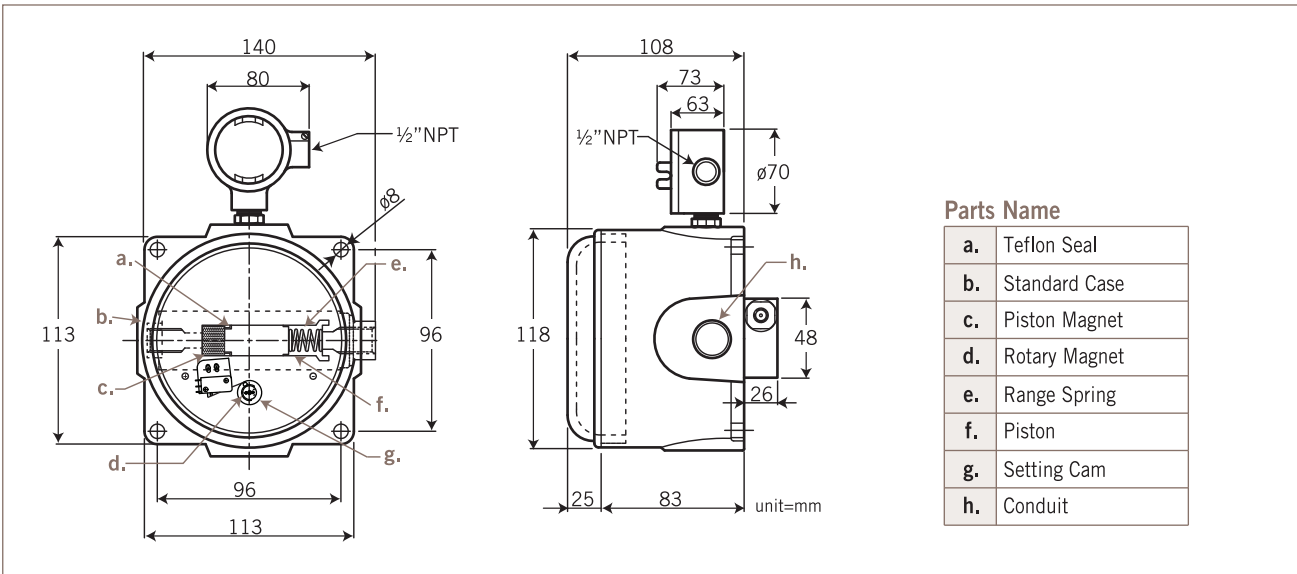
Technical Data

- Accuracy:** ±2% F.S. (on rising pressure)
- Housing:** Die cast aluminum alloy
- Pressure Element:** Wetted parts all in SS316
- Process Connection:** ¼"NPT female, option with adaptor available
- Conduit Connection:** ½", ¾"NPT female, option available
- Working Pressure:** 200 kg/cm²
(Both of High & Low side must be pressured on line at the same time.)
- Working Temperature:** max. 80°C
- Adjustable Micro Switch:** One adjustable alarm contact, SPDT
- Load:** 5A/125VAC, 5A/250VAC, 2A/30VDC
- Temperature:** -25°C ~ +100°C (AMB)
- Hysteresis:** ±10% of full scale (Dead Band)



Patent No.	Approvals:
M449263 China: ZL 2012 2 0666839.5	 
	 
	 © Switches with UL & CSA Recognized and File No. E41515.

Dimensions



Range Selection Table

Code	Adjustable Range	
	psi	kg/cm ²
09R	0~9	0~0.6
11R	0~11	0~0.75
14R	0~14	0~1
30R	0~30	0~2
40R	0~40	0~2.5
60R	0~60	0~4
100R	0~100	0~7
140R	0~140	0~10
200R	0~200	0~14

Ordering Information

DPS2000X	Code	Range				
		Please refer to the Range Selection Table.				
		<table border="1"> <thead> <tr> <th>Code</th> <th>Wetted Parts Material</th> </tr> </thead> <tbody> <tr> <td>A</td> <td>SS316</td> </tr> </tbody> </table>	Code	Wetted Parts Material	A	SS316
Code	Wetted Parts Material					
A	SS316					
		<table border="1"> <thead> <tr> <th>Code</th> <th>Process Connection</th> </tr> </thead> <tbody> <tr> <td></td> <td>(1) ¼"NPT Female (2) Option</td> </tr> </tbody> </table>	Code	Process Connection		(1) ¼"NPT Female (2) Option
Code	Process Connection					
	(1) ¼"NPT Female (2) Option					
		<table border="1"> <thead> <tr> <th>Code</th> <th>Conduit Connection- Female</th> </tr> </thead> <tbody> <tr> <td></td> <td>(A) ½"NPT (B) ¾"NPT (C) Option</td> </tr> </tbody> </table>	Code	Conduit Connection- Female		(A) ½"NPT (B) ¾"NPT (C) Option
Code	Conduit Connection- Female					
	(A) ½"NPT (B) ¾"NPT (C) Option					
		<table border="1"> <thead> <tr> <th>Code</th> <th>Switch Form</th> </tr> </thead> <tbody> <tr> <td>1</td> <td>One SPDT</td> </tr> </tbody> </table>	Code	Switch Form	1	One SPDT
Code	Switch Form					
1	One SPDT					
DPS2000X						