

DIFFERENTIAL PRESSURE SWITCH NEMA 4, 4X, IP66

DPS2100W

Protection: IP66
Proof Pressure to 1000 psi
Adjustable Ranges: 3~500 psi
Temperature: -30 to 205°C

The New-Flow DPS2100W, a water proof differential pressure switch, is designed to be used in control systems. DPS2100W has high set point repeatability and narrow dead band features. A variety of range selections are available upon request. Easily adjusted to the set point, no special tools needed!

Technical Data

Switch Data: one SPDT & two SPDT Microswitch, 15amps 125/250VAC, DC 125V 0.4A, DC 30V 3A / Gold Contact Microswitch 1A 125/250VAC
Housing: die cast aluminum alloy with paint
Conduit Connection: Female 3/4", 1/2"NPT, M20 x P1.5 available
Pressure Element: welded type diaphragm
Process Material: Wetted parts are all in SS316
Process Connection: Female 1/2" or 1/4" NPT, BSP, PT; and M20xP1.5 thread available



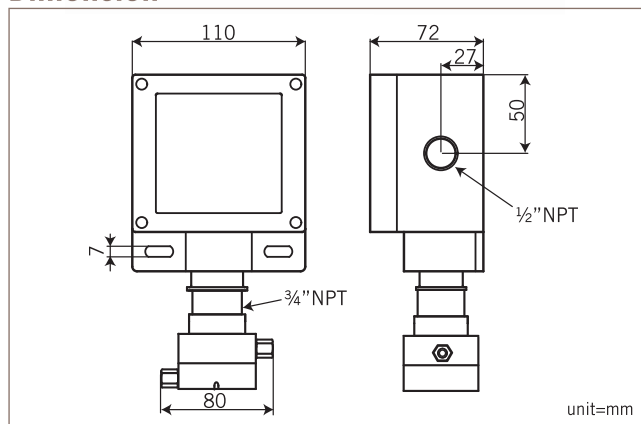
Patent No.

M450724
 China: 2976852

Approvals:



Dimension



Range Selection Table

Code	Adjustable Range	Dead Band	Maximum Pressure Proof
10R	3~28 psi	0.15~1.4 psi	1000 psi
20R	7~100 psi	0.35~5 psi	1000 psi
30R	35~200 psi	1.75~10 psi	1000 psi
40R	50~500 psi	2.5~25 psi	1000 psi

Ordering Information

DPS2100W	Code	Range							
		10R	3~28 psi	20R	7~100 psi	30R	35~200 psi	40R	50~500 psi
	Code	Wetted Parts Material							
	A	SS316							
	Code	Process Connection- Female							
		(1) 1/2"NPT (2) 1/4"NPT, Standard (3) 1/2"BSP (4) 1/4"BSP (5) 1/2"PT (6) 1/4"PT (7) M20 x P1.5							
	Code	Conduit Connection							
		(E) 3/4"NPT Female (F) 1/2"NPT Female, standard (G) M20 x P1.5 Female							
	Code	Switch Form							
	1	Micro Switch, 1 SPDT							
	2	Micro Switch, 2 SPDT (one setting point)							
	3a	Gold Contact, 1 SPDT							
	3b	Gold Contact, 2 SPDT (one setting point)							
DPS2100W									Complete Ordering Code