

PLASTIC THREAD TYPE DIAPHRAGM SEAL

DT141

Application

DT141 diaphragm seal is made with material including PVC, PVDF and CPVC to provide to against the acid fluid for application in customers device. It is easy to assemble with pressure gauges, pressure switches and pressure transducers.

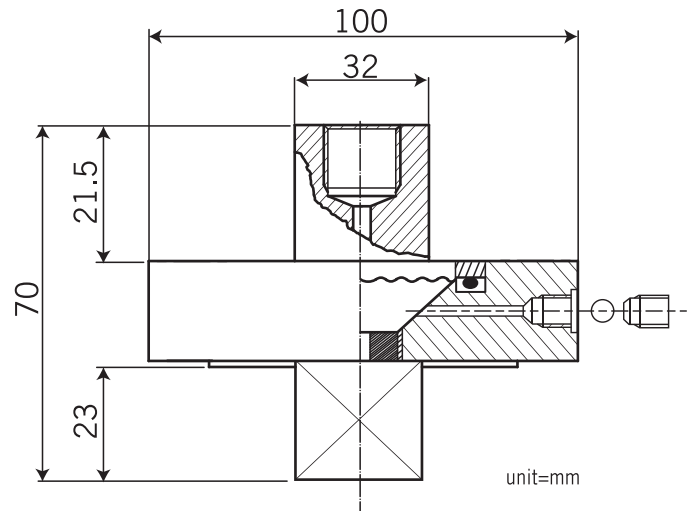
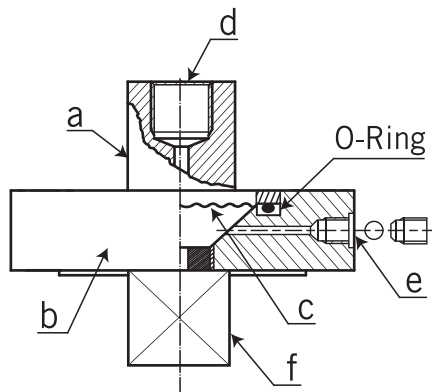
Technical Data

- Instrument:** Female thread 1/4" to 1/2" BSP or NPT
- Process connection:** 1/4" to 1/2" BSP or NPT
- Measurement range:** 0~2.5 to 10 bar for Dial ø2" or ø63mm used
0~4 to 10 bar for Dial: ø4" or ø4 1/2" used
- Max. temperature:** 40°C
- Material:** Upper & Lower Housing- PVC (standard), others on request
- Membrane:** EPDM with PTFE foil



Dimensions

Item	Description of Parts
a	Upper housing
b	Lower housing
c	Membrane
d	Instrument connection
e	Filling port
f	Process connection



NOTE
Performance Technical Data are effective with date of issue and are subject to change without prior notice.

Ordering Information

DT141	Code	Instrument Connection (Female)								
		(A) 1/4" BSP (B) 1/4" NPT (C) 1/2" BSP (D) 1/2" NPT								
		Code	Process Connection (Female)							
			(A) 1/4" BSP (B) 1/4" NPT (C) 1/2" BSP (D) 1/2" NPT							
		Code	Upper Housing Material							
		1	PVC (standard)	2	PVDF	3	CPVC			
		Code	Lower Housing Material							
		1	PVC (standard)	2	PVDF	3	CPVC	4	PP	
		Code	Membrane Material							
		1	EPDM+PTFE foil							
DT141										Complete Ordering Code