

# FIELD MOUNTED DIGITAL DISPLAY

**D-1000-G – GENERAL TYPE    D-1000-F – FLOW TYPE**

**Explosion Proof**  
**CLASS I, GROUPS A, B, C & D,**  
**CLASS II, GROUPS E, F & G, NEMA 4X**

## Technical Data

- Enclosure Housing:** Aluminum or SS316
- LCD Display:** General type: 5 digital (-9999~69999)  
 Flow type: Totalizer 10 digital (top); Flow rate 8 digital (bottom)
- Input:** Linear 4 to 20mA
- Loop Resistance:** 500Ω
- Accuracy:** Analog (4~20mA), Linear: Zero manual adjustable ±0.25% of span
- Ambient Temperature:** -20 to +85°C
- Power Supply:** 12 to 35VDC
- Process Connection:** ½" or ¾" NPT female; others option available
- Conduit Connection:** ½" or ¾" NPT female, or M20 x P1.5 (with adaptor);  
 others option available
- Unit:** **Flow type**– Flow unit: Kg, GAL, Nℓ, Nm³, cc, ℓ, M³;  
**General type**– Time unit: Day, Hr, Min, Sec;  
**General type**– Others unit: mA, A, mV, V, PH, °F, °C, psig, Pa, Kpa, Mpa, mbar, bar,  
 mmHg, mmWC, Torr, %, M, cm...available



**D-1000-G**  
(General Type)

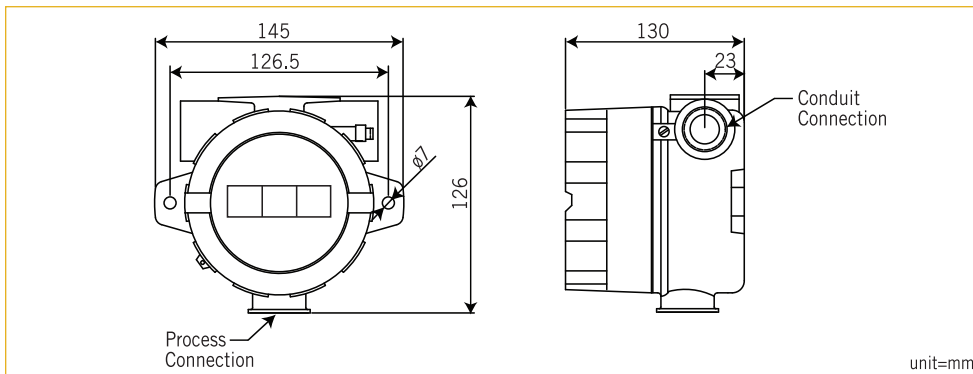


**D-1000-F**  
(Flow Type)

### Approvals:



## Dimensions

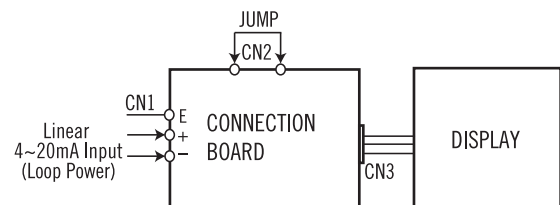


## Ordering Information

D-1000	Code	Type
	G	General Type
	F	Flow Type
	<b>Code</b>	<b>Enclosed Housing</b>
	A	Aluminum
	S	SS316
	<b>Code</b>	<b>Wire Drawing</b>
	A	Looper Power
	B	Exciting Power
	<b>Code</b>	<b>Process Connection</b>
	(1)	½"NPT(F)
	(2)	¾"NPT(F)
	(3)	option
	<b>Code</b>	<b>Conduit Connection</b>
	(1)	½"NPT(F)
	(2)	¾"NPT(F)
	(3)	M20xP1.5
	(4)	option
	<b>Code</b>	<b>Function</b>
	1	Meter only
	2	Meter + Totalizer (for flow type)
	<b>Code</b>	<b>Blue Back-Lighted</b>
	D	with
	N	without
D-1000		

## Wire Drawing

### A. Looper Power



### B. Exciting Power

