

DISPLACER LEVEL SWITCH 300 Three Stage Series

EDW300 – Weather Proof Type

EDX300 – Explosion Proof Type

The NEW-FLOW Displacer Level Switches are made to fit wide range applications such as pump control, waste water level and deep open tank. They are designed for high corrosive resistance and long service life. 300-Series are one stage control and easy to install.

Technical Data

Easy Installation

Wetted Parts Material: SS304, SS316, SS316L available

Housing Material: EDX- Aluminum alloy ; EDW- SS316 or C.S with painting

The Suitable S.G.: ≥ 0.6 (Please inform the manufacturer about the Sp. Gr. of application fluid to calculate the float size.)

Enclosure Housing: EDX- Explosion Proof: please check the ordering information
EDW- Weather Proof: IP65

Micro Switch Rating (SPDT & 3DPDT Type): 5A/125VAC, 5A/250VAC, 2A/30VDC

Max. Pressure: 50 kg/cm² @25°C ; option on request

Max. Temperature: 250°C

Float Size: $\varnothing 60.5 \times 150\text{mmL}$ (based on Sp. Gr.=1.0)

(Float size depending on the Sp. Gr. of application fluid.)

Patent No.

M279006

Approvals:



TD0400TJ

工電(2016)第00384號
(ITRI)2017第07-00200號



Switches with UL & CSA
Recognized and File No.
E41515.



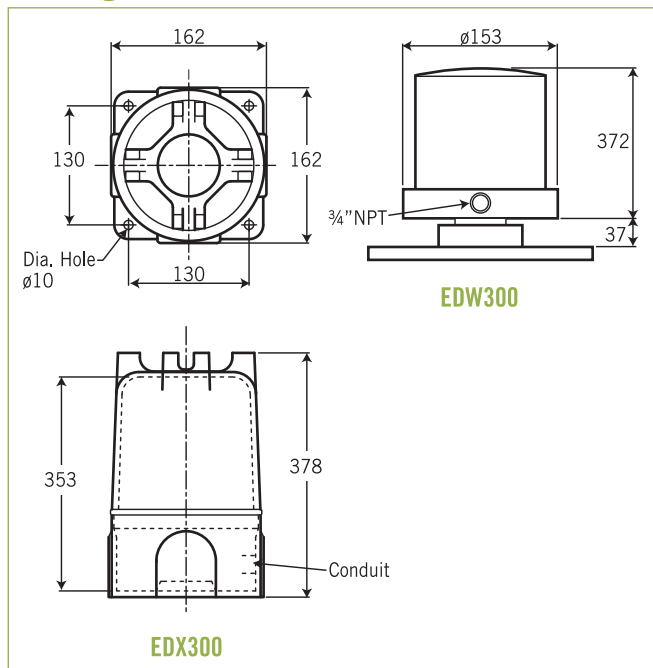
EDX300

EDW300

Switch Function

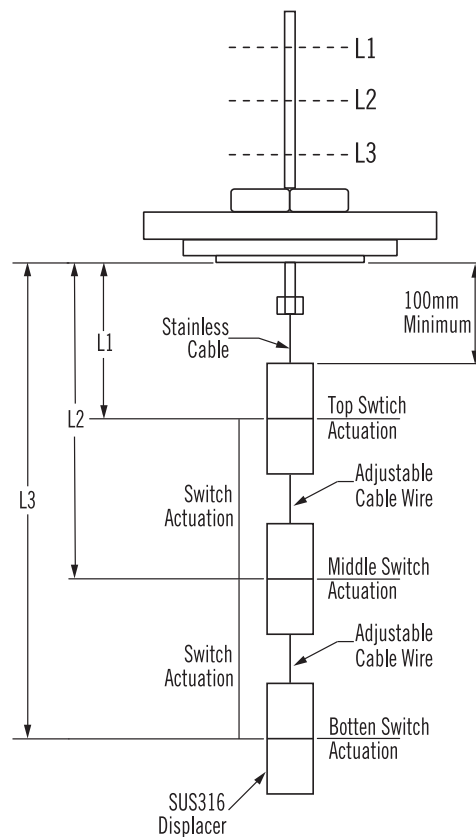
Dry Contact-Micro Switch	1SPDT X 3	
Dry Contact-Micro Switch	(3DPDT) 2SPDT X 3	

Housing Dimensions



Control

Narrow Differential Model: 300



Ordering Information

WWW.NEW-FLOW.COM • TEL: 886-7-8135500 • FAX: 886-7-8225588 • Email: info@new-flow.com

EDW / EDX	Code	Model
	300	Narrow Differential
		Code Housing Material
	A	Aluminum alloy
	B	SS316
	C	C.S with Painting (only for EDW, Weather Proof type)
		Code Process Connection Size
		(1) 2½" (2) 3" (3) 4" (4) 5" (5) Option
		Code Process Connection Rating
		(A) JIS 10K (B) JIS 20K (C) ANSI 150# (D) ANSI 300# (E) PN16 (F) PN40 (G) Option
		Code Conduit Size
		(1) ¾"NPT(F) (2) ½"NPT(F) (3) M20 x P1.5(F) (4) M25 x P1.5(F) (O) Option
		Code Switch Function
	A	Dry Contact Microswitch 1SPDT x 3
	C	Dry Contact Microswitch 2SPDT x 3
		Code Float Material
		(1) SS316 (2) SS304 (3) SS316L
		Code Wetted Parts Material
		(A) SS316 (B) SS304 (C) SS316L
		Code Sp. Gr.
		(A) 1.0 (B) 0.99~0.9 (C) 0.89~0.8 (D) 0.79~0.7 (E) 0.69~0.6
		Code Setting Point
		Please fill in the requested length: L1= ___ L2= ___ L3= ___
		Code Explosion Proof Type / Housing Material
	N	For Weather Proof Type, EDW
	A	(Certificate on Housing Only) / Aluminum alloy EEx d IIC-T6, II 2 GD
	B	(Taiwan Explosion Proof Certification) / Aluminum alloy Ex d IIB + H2 T6 Gb
	B1	(Taiwan Explosion Proof Certification) / SS316 Ex d IIB + H2 T6 Gb
		Code Micro Switch Rating
		5A / 250VAC
		5A / 125VAC
		2A / 30VDC
		Complete Ordering Code