


DISPLACER LEVEL INDICATOR

EDW900 – Weather Proof Type

EDX900 – Explosion Proof Type

The NEW-FLOW Displacer Level Indicator are made to fit wide range applications such as pump control, waste water level and deep open tank. They are designed for high corrosive resistance and long service life. 900-Series are switch setting available and provide output signals 4~20mA.

Technical Data

- Case Material:** Aluminum alloy case with paint; SS316 available
- Body & Wetted Parts Material:** SS316/SS316L, Indication via magnetic coupling (no sealed)
- Scales Calibrated:** in % or height
- Range of Measurement:** 300mm to 5M available; option on request
- Connection Types:** Flange type, Trip Clamp & Sanitary; Thread type (others on request)
- Connection Size:** 1½"~5"
- Process Connection Rating:** Thread type: NPT, BSP; Flange type: ANSI, DIN, JIS available
- Max. Working Temperature:** -50°C to +150°C (300°C option)
- Max. Working Pressure:** up to 100Bar; option on request
- Protection Class:** IP66 or Explosion Proof, Class I, Groups B, C & D; Class II, Groups E, F & G; NEMA 4, 7, 9
- Accuracy:** ±2% F.S (±1.6% F.S option)
- Conduit Connection:** Female ½"NPT, ½"BSP, ¾"NPT, ¾"BSP; option on request
- Alarm Switch:** Micro switch, Inductive switch, Reed switch available
- LCD Display:**
 - Totalizer 10 Digital (Top) / Flow rate 8 Digital (Bottom)
 - Analog Output Available: 4~20mA (2-wires)
 - Power Supply: 24VDC
- ***HART® Communication:** available
- Two Wires Transmitter with HART® Protocol** 
 - Galvanic Isolation
 - Suitable for application in SIL2 installations

Approvals:



TD0400TJ

SIL2 Certified

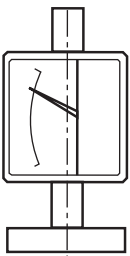


Switches with UL & CSA Recognized and File No. E41515.

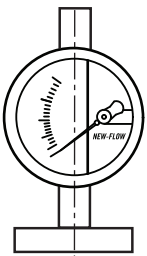


Housing Type

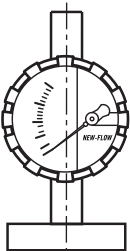
IP66
Case Type: (A-1) Rectangle Bolt Right Type
Housing Material: Aluminum alloy case with paint



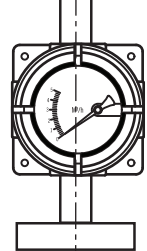
IP66
Case Type: (B-1) Round Bayonet Ring Type (only for indicating)
Housing Material: SS316



IP66
Case Type: (A-2) Round Screw Tight Type
Housing Material: Aluminum alloy
Case Type: (B-2) Round Screw Tight Type
Housing Material: SS316

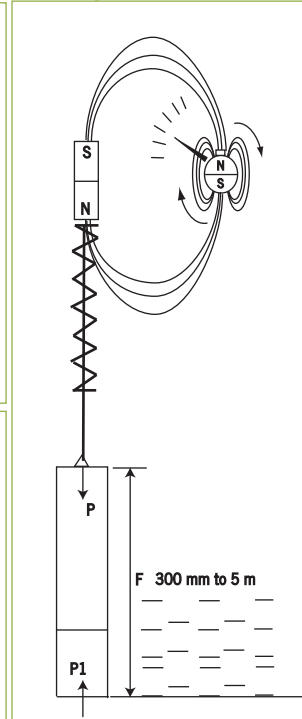


Explosion Proof
Housing Material: Aluminum alloy
Protection Class: Class I, Groups B, C & D; Class II, Groups E, F & G; NEMA 4, 7, 9



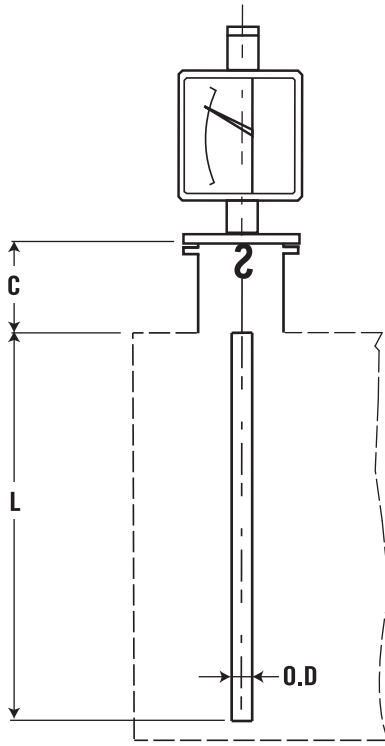
Mounting Length: 250mm standard
 Connection size bigger than 3", mounting length is 300mm.

Principle

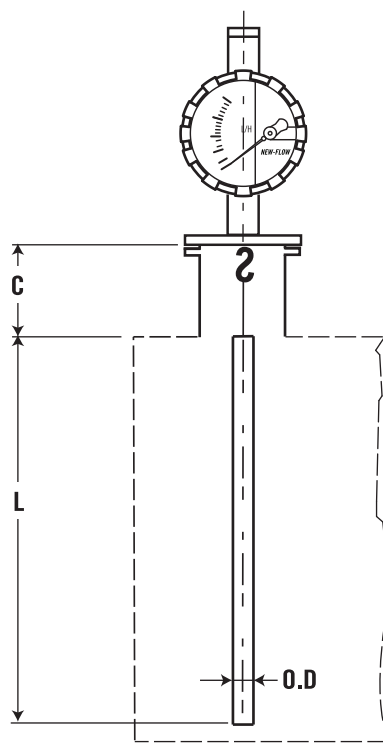


Dimension-mm

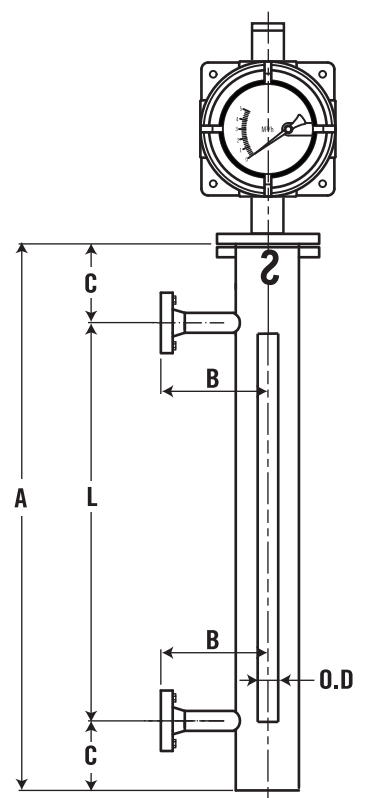
Rectangle Bolt Tight Housing



Round Screw Tight Housing



Explosion Proof Housing

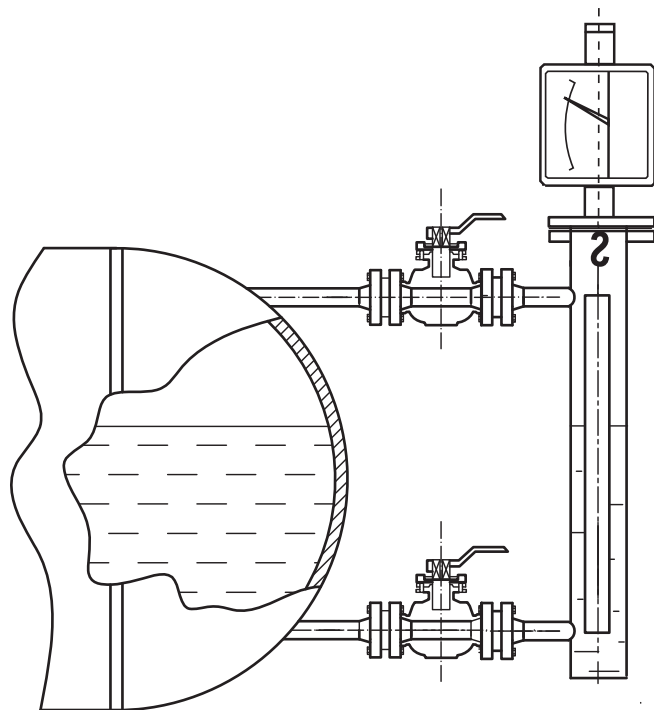
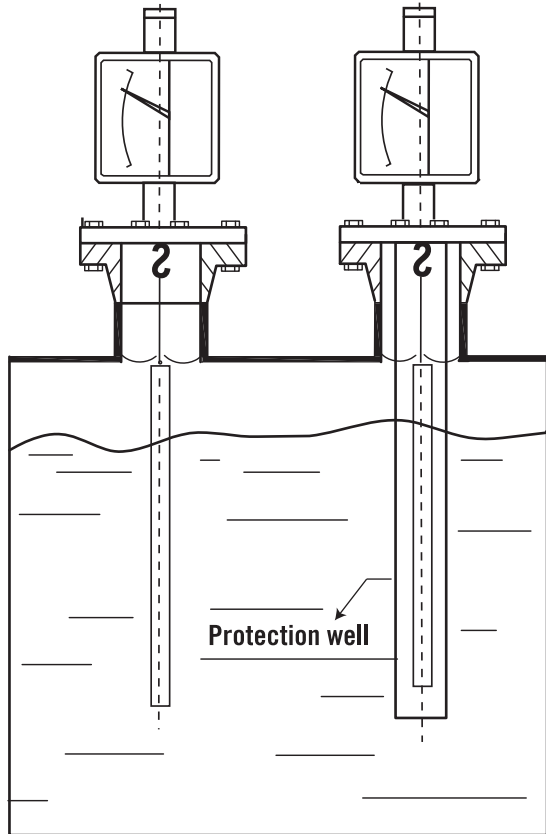


Installation Type

(1) Direct Insertion Type

(2) Well Protection Type

(3) With Chamber Type (Side Mounting)



Ordering Information

EDW900 EDX900	Code	Type	Code	Connection Size		
SIL2 Certified	G	Indicating Only	40B	1½" BSP (Male)		
	GS	Indicating + Switch	40N	1½" NPT (Male)		
	GT	Indicating + 4~20mA (no alarm switch available)	50B	2" BSP (Male)		
	GTA	Hall Sensor Type / Indicating + 4~20mA (no alarm switch available)	50N	2" NPT (Male)		
	GTH	HART Type / Indicating + HART (no alarm switch available)	12F	1½" Flange		
			20F	2" Flange		
			22F	2½" Flange		
			30F	3" Flange		
			40F	4" Flange		
			50F	5" Flange		
			Code	Alarm	Code	Transmitter Type, 4~20mA
			O	Without alarm switch	G	General Type
			C1	One inductive alarm switch	O	Without Transmitter
			C2	Two inductive alarm switches	Code	Fluid & Sp. Gr.
	M1	One micro switch	Please directly fill out the fluid and Sp. Gr.			
R1	One reed switch	Code	Insertion Length (max. 5M)			
R2	Two reed switches	Please directly fill out the level length in the ordering code.				
Code	Housing Protection / Case Type / Material	Code	Installation Type			
A1	IP66 / Rectangle bolt tight type / Aluminum alloy	1	Direct Insertion Type			
A2	IP66 / Round screw tight type / Aluminum alloy	2	Well Protection Type			
B1	IP66 / Round bayonet ring type / SS316 (indicating only)	3	With Chamber Type			
B2	IP66 / Round screw tight type / SS316	Code	LCD Display			
(Ex. Certificate on Housing only) / Aluminum alloy Class I, Groups B, C & D; Class II, Groups E, F & G; NEMA 4, 7, 9		DO	With LCD Display IP66, for A1 case only			
Code	Body & Wetted Parts Material	D	With LCD Display Explosion Proof, (assemble with D-1000) NOTE.1			
A	SS316 / SS316L, Standard	N	Without			
O	Option	Code	O.D (mm)			
Code	Connection Rating	Calculation by Manufacturer.				
O	Thread Connection	Code	Conduit			
5	JIS 5K	N	Without			
10	JIS 10K	1	½" NPT(F)			
20	JIS 20K	2	¾" NPT(F)			
15	ANSI 150#					
30	ANSI 300#					
60	ANSI 600#					
90	ANSI 900#					
T	Other: _____					

EDW900
EDX900

--	--	--	--	--	--

+

--	--	--	--	--	--	--	--	--	--

NOTE.1 LCD Display:
Assemble with D-1000 Series



WWW.NEW-FLOW.COM • TEL: 886-7-8135500 • FAX: 886-7-8225588 • Email: info@new-flow.com