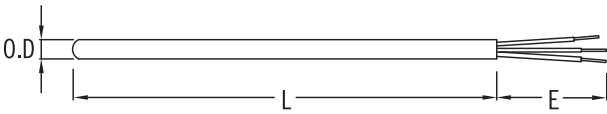
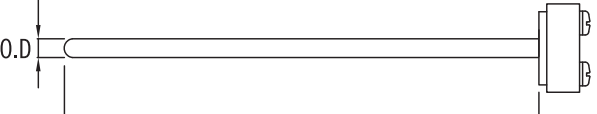
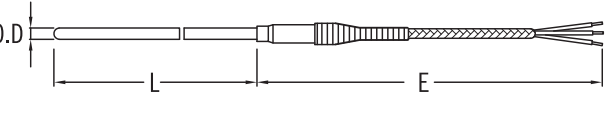
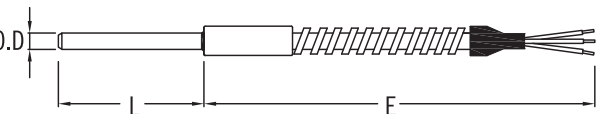
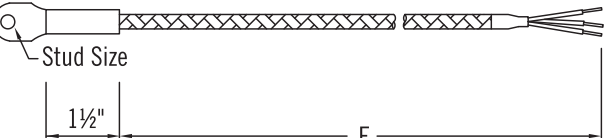
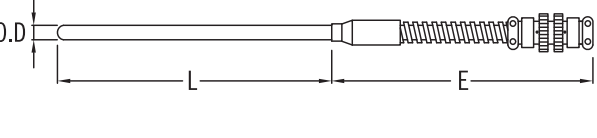
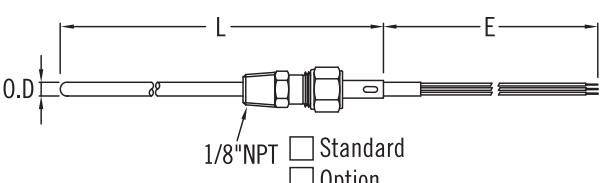

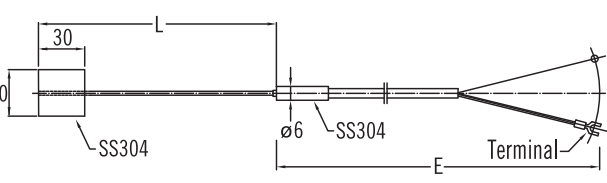
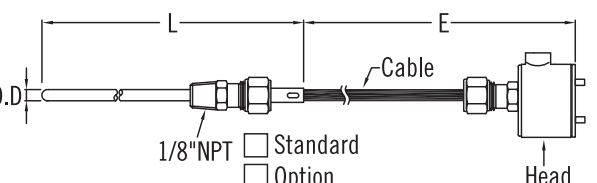
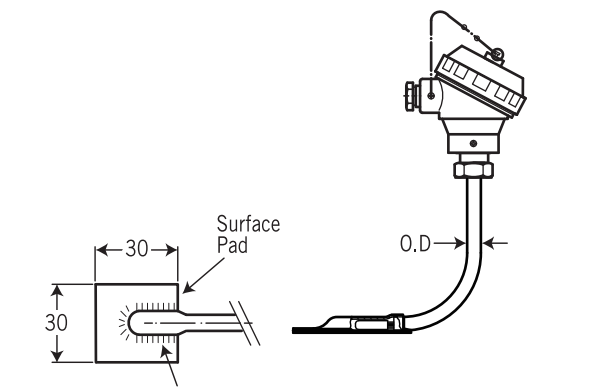


# GENERAL RTD

Approvals:



<p><b>GRA</b></p> 	<p><b>GRB</b></p> 
<p><b>GRC</b></p> 	<p><b>GRD</b></p> 
<p><b>GRE</b></p> 	<p><b>GRF</b></p> 
<p><b>GRG</b></p> 	<p><b>GRH</b></p> 
<p><b>GRI</b></p> 	<p><b>GRJ</b></p> 
<p><b>GRK (Heat Trace Type)</b></p> 	

## Ordering Information

Model	GRA	GRB	GRC	GRD	GRE	GRF	GRG	GRH	GRI	GRJ	GRK
<div style="display: flex; flex-direction: column; align-items: center; justify-content: space-around;"> <div style="width: 100%; border-bottom: 1px solid black; margin-bottom: 5px;"></div> <div style="width: 100%; border-bottom: 1px solid black; margin-bottom: 5px;"></div> <div style="width: 100%; border-bottom: 1px solid black; margin-bottom: 5px;"></div> <div style="width: 100%; border-bottom: 1px solid black; margin-bottom: 5px;"></div> <div style="width: 100%; border-bottom: 1px solid black; margin-bottom: 5px;"></div> <div style="width: 100%; border-bottom: 1px solid black; margin-bottom: 5px;"></div> <div style="width: 100%; border-bottom: 1px solid black; margin-bottom: 5px;"></div> <div style="width: 100%; border-bottom: 1px solid black; margin-bottom: 5px;"></div> <div style="width: 100%; border-bottom: 1px solid black; margin-bottom: 5px;"></div> <div style="width: 100%; border-bottom: 1px solid black; margin-bottom: 5px;"></div> <div style="width: 100%; border-bottom: 1px solid black; margin-bottom: 5px;"></div> <div style="width: 100%; border-bottom: 1px solid black; margin-bottom: 5px;"></div> </div>	<b>Code</b>	<b>Sensor Dimensions "O.D" mm</b>									
		(1) 1.6 (2) 3.2 (3) 4.8 (4) 6.0 (5) 8.0 (6) 9.0 (7) 12.75 (0) option									
	<b>Code</b>	<b>Sheath Material</b>									
	A	SS316	O	Option							
	<b>Code</b>	<b>Element Type</b>									
	1	PT100									
	<b>Code</b>	<b>Element No</b>									
	S	Single			D		Double				
	<b>Code</b>	<b>Sensor Class</b>									
		(1) Class A (2) Class B									
	<b>Code</b>	<b>Sensor Insertion length "L"</b>									
		Please directly fill in requesting length (mm).									
<b>Code</b>	<b>Lead Wire Length "E"</b>										
	Please directly fill in requesting length (mm).										
<b>Complete Ordering Code</b>											