

# HORIZONTAL MAGNETIC LEVEL SWITCH

## LT202 Flange Type – SQUARE FLANGE FOR HIGH TEMPERATURE AVAILABLE

LT202 float-operated level switches are suitable for controlling liquid level at horizontal mounting. The float equipped with an extended arm moves a couple magnetic mechanism to actuate a microswitch to offer an ON-OFF contact for application. LT202 is available equipped with an extra fin to be able to work under high temperature environment.

### Technical Data

**Enclosure Housing:** Weather proof IP65

**Material:** Wetted parts SS316 or SS304

**Temperature Limits:** Standard: -20°C to +150°C;  
With fin for high temperature: -20°C to +200°C and  
-20°C to +350°C available

**Pressure Limits:**

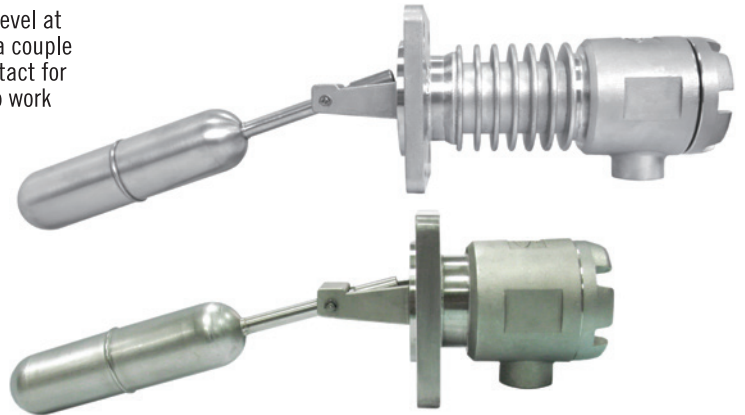
Without Test Device: 3.0 MPa (30 kg/cm<sup>2</sup>), option: up to 4.5 MPa;  
With Test Device: 6 kg/cm<sup>2</sup>

**Switch Function:** Micro switch 1 x SPDT; 2 x SPDT option

**Switch Rating:** 3A/250VAC, 5A/125VAC, 4A/30VDC

**Conduit Connection:** ½" NPT female, option

**Float Working Specific Gravity:** ≥0.7  
(option: less than 0.7 available on request)



**Patent No.**

M334951

**Approvals:**

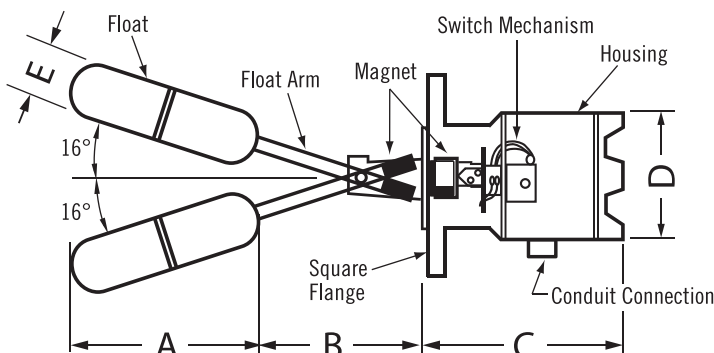


Switches with UL & CSA Recognized and File No. E41515.

### Dimensions-mm

#### •Standard Type•

Temperature Limits: -20°C~+150°C only

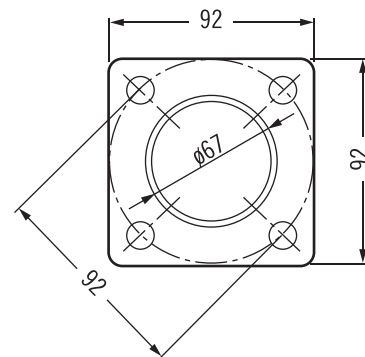


A	B	C	D	E
150	92	100 Approx.	64	40

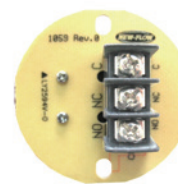
**NOTE.**

1. Special dimensions on request.
2. Extension length for B is available.

#### SQUARE FLANGE



#### WIRE DRAWING

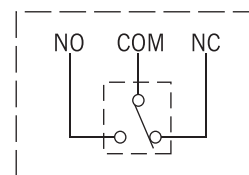


1 SPDT



2 SPDT

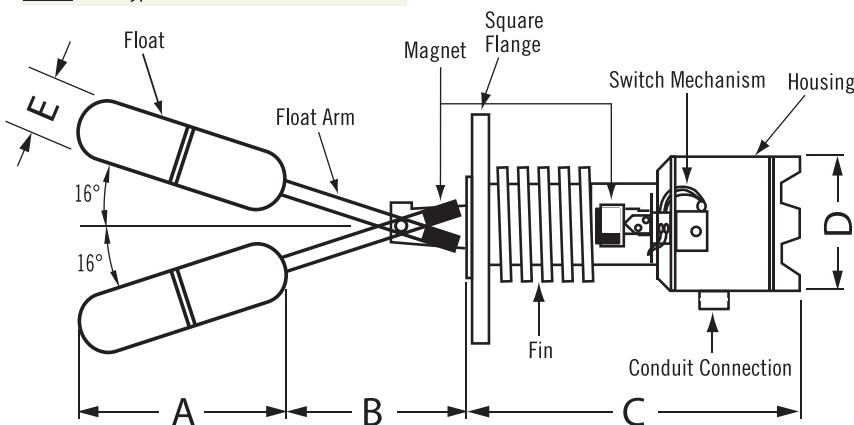
#### OPERATING SIGNAL



#### •With Fin for High Temperature•

Temperature Limits: optional -20°C~+200°C and -20°C~+350°C available

**NOTE.:** This type CANNOT add the test device.



A	B	C	D	E
150	92	170 Approx.	64	40

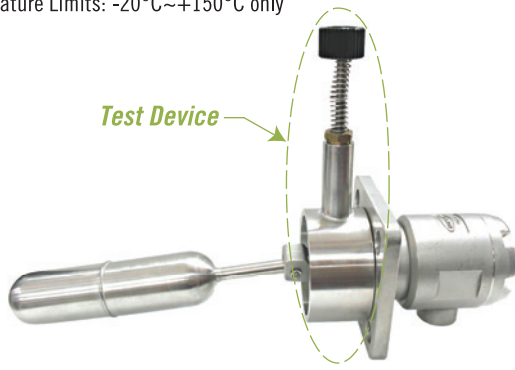
**NOTE.**

1. Special dimensions on request.
2. Extension length for B is available.

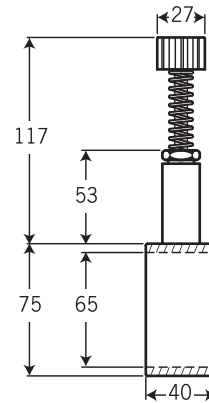
Added Test Device Accessories unit=mm (Tolerance: ±1.0mm)

•Test Device Type•

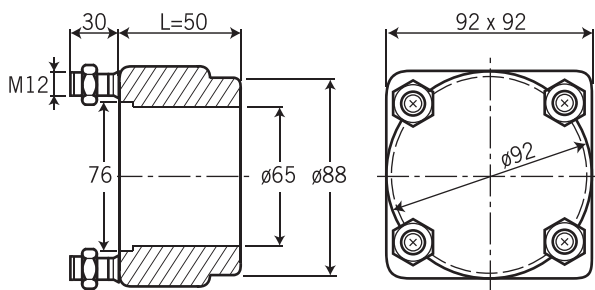
Temperature Limits: -20°C~+150°C only



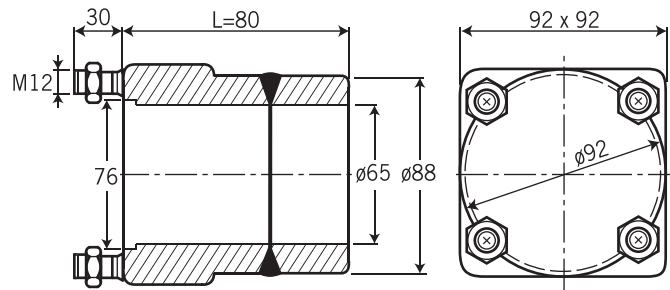
(A) Pipe With Standard Test Device



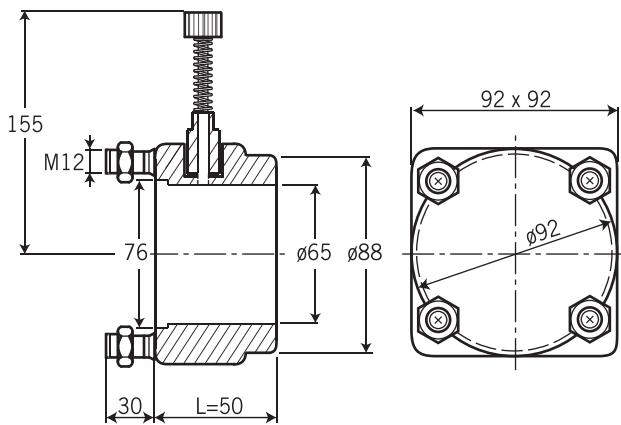
(B) Added Flange Device



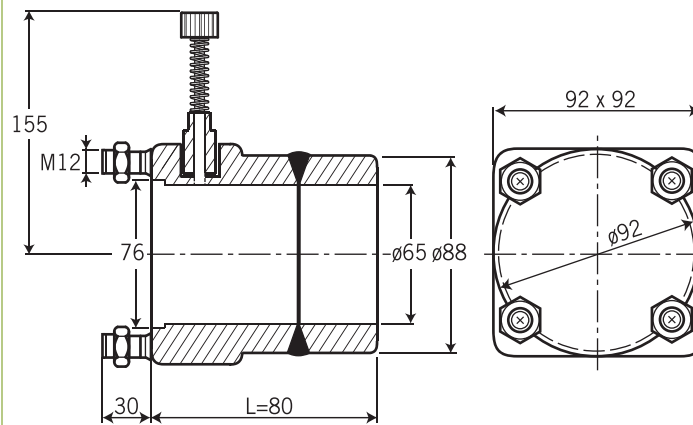
(C) Added Flange Device



(D) Added Flange with Test Device



(E) Added Flange with Test Device



Ordering Information

LT202	Code	Type	T	With Test Device	F	With Fin (CANNOT add test device)
	S	Standard type without test device				
		<b>Code</b> <b>Square Flange Material</b>				
		(1) SS316 (2) option				
		<b>Code</b> <b>Switch Function- Micro Switch</b>				
		1 One switch, SPDT x 1	2	Two switch, SPDT x 2		
		<b>Code</b> <b>Added Device Accessories</b>				
		A B C D E O				Without test device
		<b>Code</b> <b>Max. Temperature Limit</b>				
		A -20°C to +150°C [for LT202-S (standard type) and LT202-T (with test device)]				
		B -20°C to +200°C [for LT202-F (with fin) only] (CANNOT add test device)				
		C -20°C to +350°C [for LT202-F (with fin) only] (CANNOT add test device)				
LT202						
						<b>Complete Ordering Code</b>