

HORIZONTAL MAGNETIC LEVEL SWITCH

LXT203S Thread Type For High Temperature

LXT203S float-operated level switches are suitable for controlling liquid level at horizontal mounting. The float equipped with an extended arm moves a couple magnetic mechanism to actuate a microswitch to offer an ON-OFF contact for application. LXT203S is equipped with an extra fin to be able to work under high temperature environment.

Technical Data

Enclosure housing: Explosion proof— EEx d IIC-T6, II 2 GD; IP66

Process connection: 1½"~3"NPT male, thread type

Material: Wetted parts 316 stainless steel

Temperature limits: -20°C to +200°C or -20°C to +350°C

Pressure limits: 3.0 MPa (30 kg/cm²), option: up to 4.5 MPa

Float working specific gravity: ≥0.7

(option: less than 0.7 available on request)

Switch function: SPDT Micro switch

Switch rating: 3A/250VAC, 5A/125VAC, 4A/30VDC

Conduit connection: ½"NPT, ¾"NPT female, option available

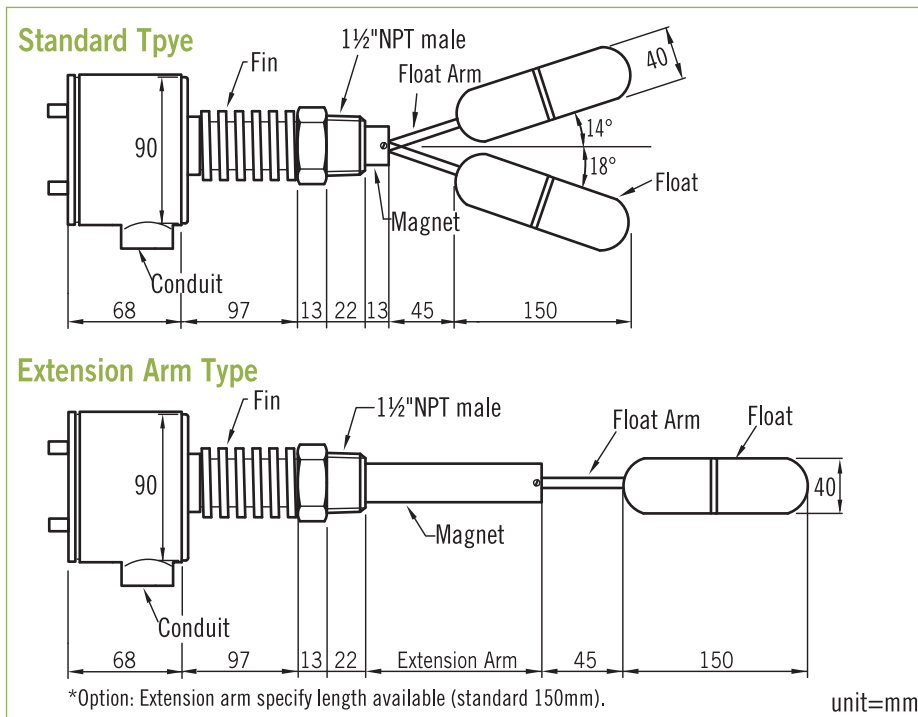


Approvals:



UL® Switches with UL & CSA Recognized and File No. E41515.

Dimensions



Wire Drawing



1 SPDT

Ordering Information

LXT203S	Code	Type				
	S	Standard type	E	Extension Arm Type		
		Code	Process Connection Size			
			(1) 1½" (2) 2" (3) 3" (4) Option			
		Code	Process Connection Rating - Male			
			(A) NPT (B) Option			
		Code	Conduit Connection Size			
			(1) ½"NPT (2) ¾"NPT (3) Option			
		Code	Wetted Parts Material			
			(1) SS316 (2) Option			
		Code	Max. Temperature Limit			
			(A) -20°C to +200°C (B) -20°C to +350°C			
LXT203S						Complete Ordering Code