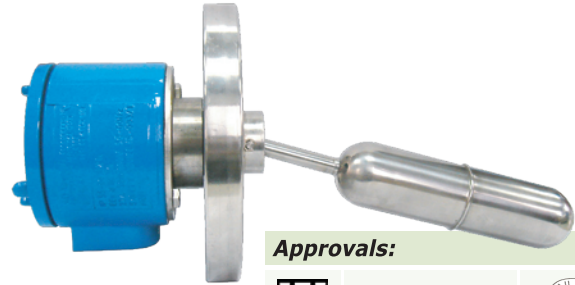


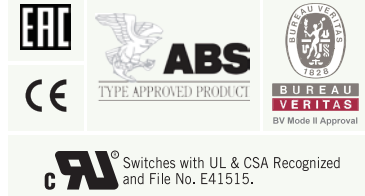
HORIZONTAL MAGNETIC LEVEL SWITCH EXPLOSION PROOF LXT204 Flange Type

Technical Data

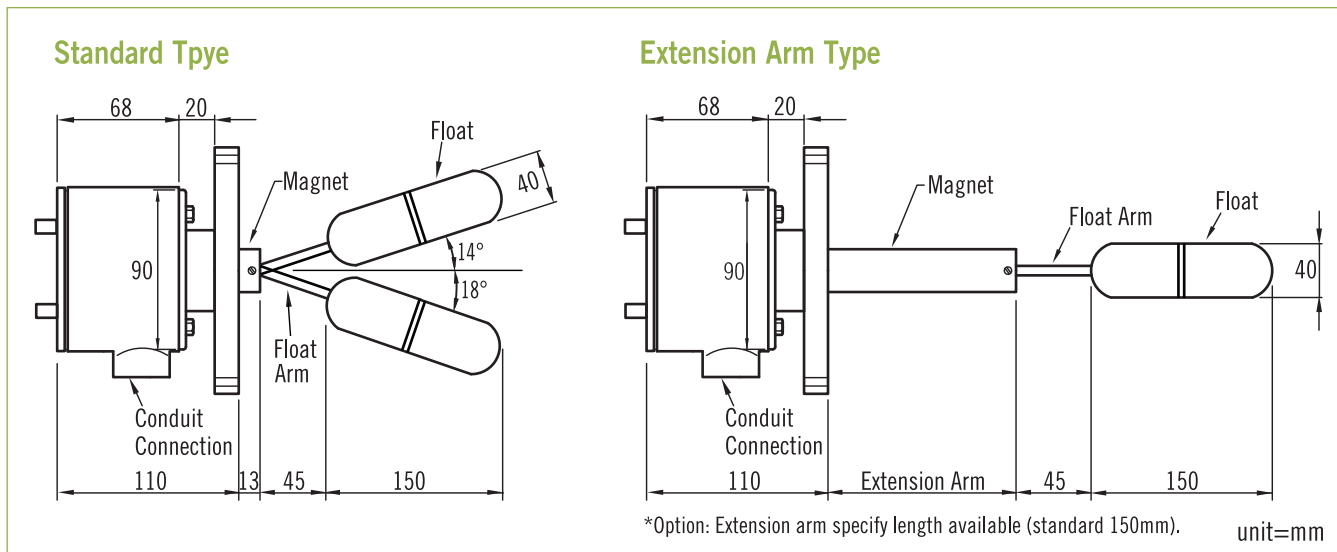
Enclosure housing: Explosion proof— EEx d IIC-T6, II 2 GD; IP66
Process connection: 1½"~4" Flange type
Flange rating: JIS, ANSI, DIN available
Material: Wetted parts 316 stainless steel
Pressure limits: 3.0 MPa (30 kg/cm²), option: up to 4.5 MPa
Float working specific gravity: ≥0.7
 (option: less than 0.7 available on request)
Temperature limits: -20°C to +150°C
Switch function: Micro switch 1 x SPDT; 2 x SPDT option
Switch rating: 3A/250VAC, 5A/125VAC, 4A/30VDC
Conduit connection: ½"NPT, ¾"NPT female, option available



Approvals:



Dimensions



Ordering Information

| LXT204 | Code | Type | | |
|--------|------|---------------|--|--------------------|
| | S | Standard type | E | Extension Arm Type |
| | | Code | Process Connection Size | |
| | | | (1) 1½" (2) 2" (3) 3" (4) 4" (5) option (please specify size) | |
| | | Code | Process Connection Rating | |
| | | | (A) JIS 10K (B) JIS 20K (C) ANSI 150# (D) ANSI 300# (E) PN16 (F) PN25 (G) option | |
| | | Code | Conduit Connection Size | |
| | | | (1) ½"NPT (2) ¾"NPT (3) Option | |
| | | Code | Flange Material | |
| | | | (1) SS316 (2) SS304 (3) Option | |
| | | Code | Switch Function- Micro Switch | |
| | | 1 | One Switch, SPDT x 1 | |
| | | 2 | Two Switch, SPDT x 2 | |
| LXT204 | | | | |

Complete Ordering Code

Wire Drawing



1 SPDT



2 SPDT