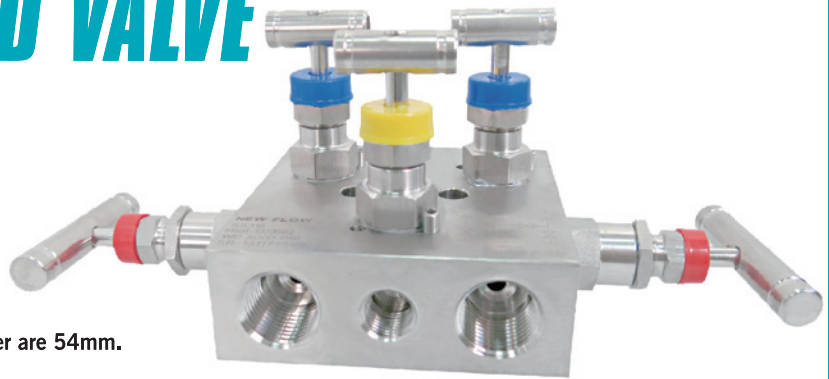


# 5-WAY MANIFOLD VALVE

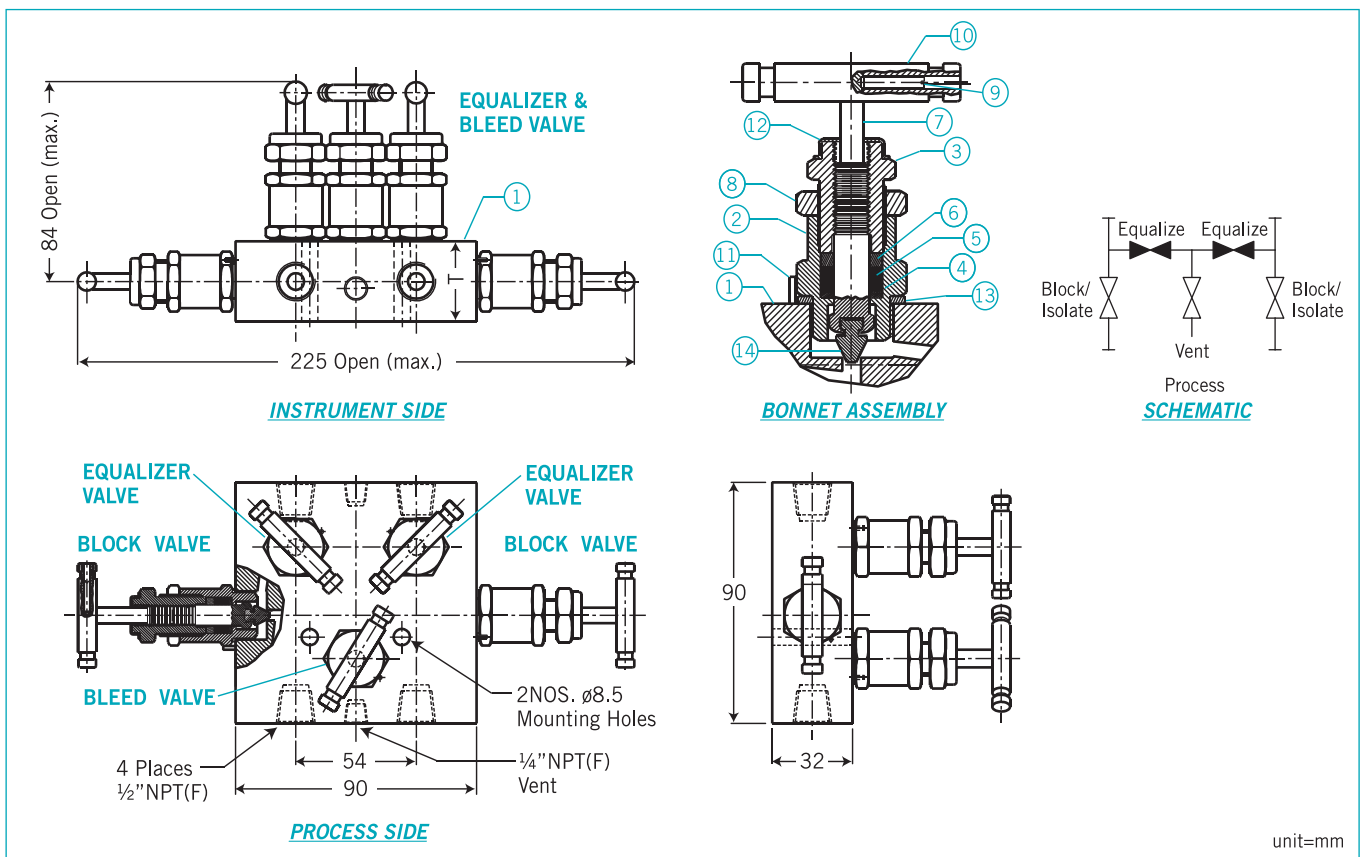
## MD5-R – Pipe to Pipe Type

### Technical Data

- Designed for D/P transmitter, thread connection.
  - Consists of two block valves, two equalizer valves and one bleed valve as well as one vent hole 1/4"NPT female.
  - Process connection 1/2"NPT female, and center to center are 54mm.
- Body Material: SS316 (standard)  
 Valve Tip to Seat: Metal to Metal  
 Process Connection: 1/2"NPT Female  
 Insutrmnt Connection: 1/2"NPT Female  
 Working Pressure & Working Temperature: Please refer to the pressure/temperature table



### Dimensions



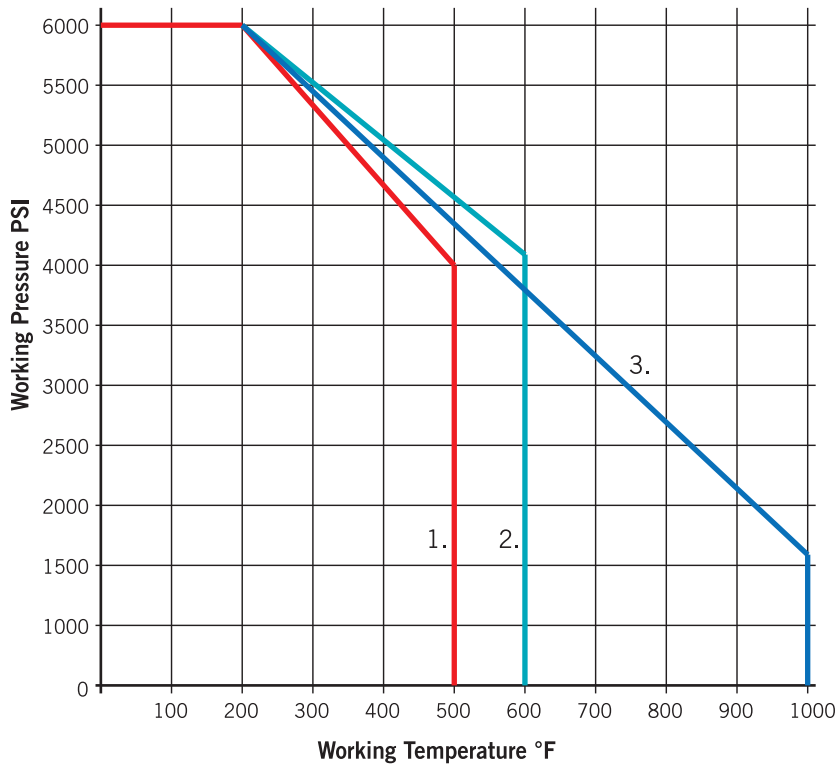
### Parts List

Item	Descriptoin	Material	Qty
1	Body	SS316	1
2	Bonnet	SS316	5
3	Gland Retainer	SS316	5
4	Washer	SS316	5
5	Packing	PTFE / Graphoil	5
6	Packing Washer	SS316	5
7	Spindle	SS316	5
8	Lock Nut	SS316	5
9	Grub Screw	Steel	5
10	Handle	SS316	5
11	Lock Pin	SS316	5
12	Dust Cap	Plastic LD.	5
13	Washer	SS316	5
14	Non Rotating Vee Tip	A564-630	5

### Features / Benefits

- Forged One Piece Body Construction (No Welding):** For High Strength.
- Non Rotating Vee :**
  - (a) Rolled and plated stem threads for extra strength.
  - (b) Screwed bonnet with safety lock pin prevents accidental valve disassembly.
  - (c) Adjustable packing below threads.
- Safety Bonnet Lock:** Prevents accidental disassembly.
- Stem Thread Rolled & Hard Plated:** Provides additional strength & maximum service life.
- Mirror Finish Stem, Burnished to a 16RMS:** Extends packing life and smoothens stem operation.
- Adjustable Packing Below Stem Threads:** Prevents stem lubrication washout and isolates threads from process contamination.
- Safety Back Seating:** Provides secondary stem seal in full open position, prevents stem blowout.
- Stainless Steel Handle:** For hand actuation.
- Body to Bonnet Seal:** Metal to Metal constant compression, isoalted bonnet threads from system fluids and eliminates possible tensile.
- Dust Cap:** Prevents contamination washout out of bonnet assembly.

## Pressure / Temperature Table



- 1. Teflon Packing
- 2. Graphoil Packing
- 3. SS316 Graphoil Packing

### Pressure Rating

Temp.	C.S.	S.S.	Orifice	Cv
77°F	6000 psi	6000 psi	4.8 mm	0.52 Max
500°F	4000 psi	4000 psi	4.8 mm	0.52 Max
1000°F	1500 psi	1500 psi	4.8 mm	0.52 Max

## Ordering Information

↓	<b>MD5</b>	<b>Code</b>	<b>Body Material</b>	
		SS	SS316	0 Option
		<b>Code</b>	<b>Process Connection</b>	
		8	½" NPT(F)	
		<b>Code</b>	<b>Mounting Type</b>	
		R	Pipe to Pipe	
	<b>MD5</b>			<b>Complete Ordering Code</b>