

SEAL & CONDENSATE POT

POT-2 SERIES

Technical Data

Material: SS316, SS304, Steel; option available
Pipe Rating: SCh80S; option available
Max. Pressure: 3000psi; option available



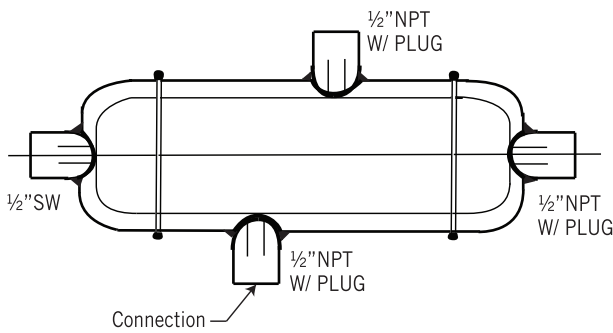
Approvals:



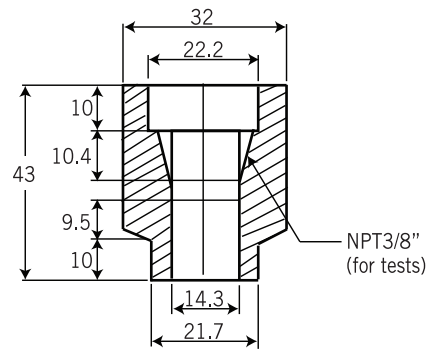
Dimension

Type: Pot-2

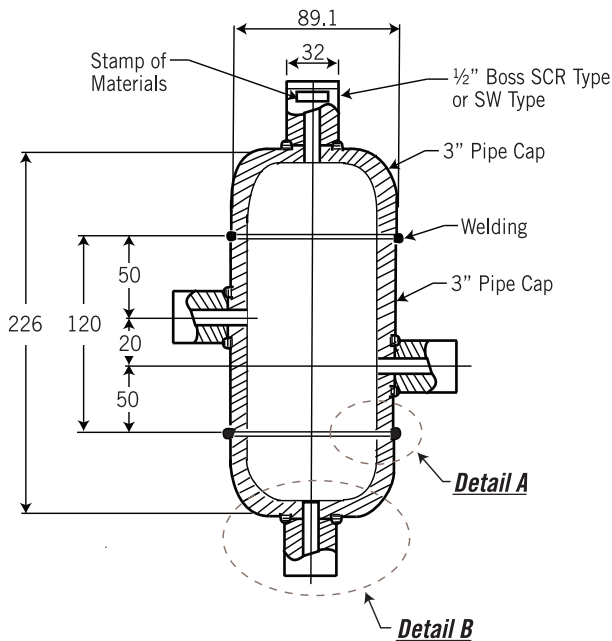
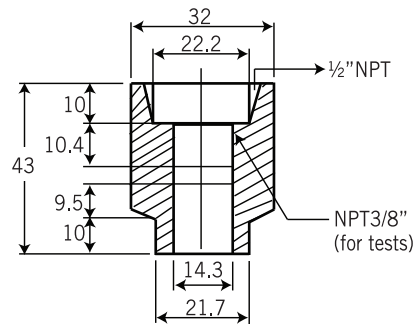
SEAL & CONDENSATE POT



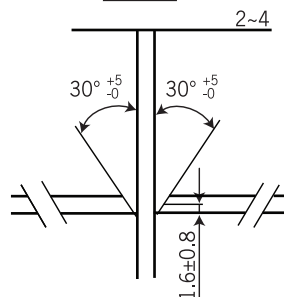
SW TYPE BOSS



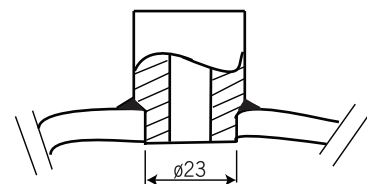
SCR TYPE BOSS



Detail A



Detail B



unit=mm

Ordering Information

POT-2	Code	Material
	A	Steel
	B	SS304
	C	SS316
	O	option
	Code	Pipe Rating
	1	SCh40S
	2	SCh80S
	Code	Tube Type
	1	Seam
	2	Seamless
	Code	Connection
	1	½"NPT Female
	2	option

POT-2					Complete ordering code
-------	--	--	--	--	------------------------