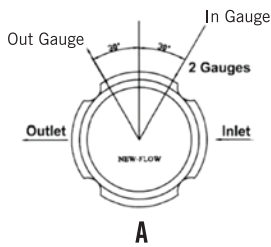


PRESSURE REDUCING REGULATOR TWO STAGE TYPE PRU110

Technical Data

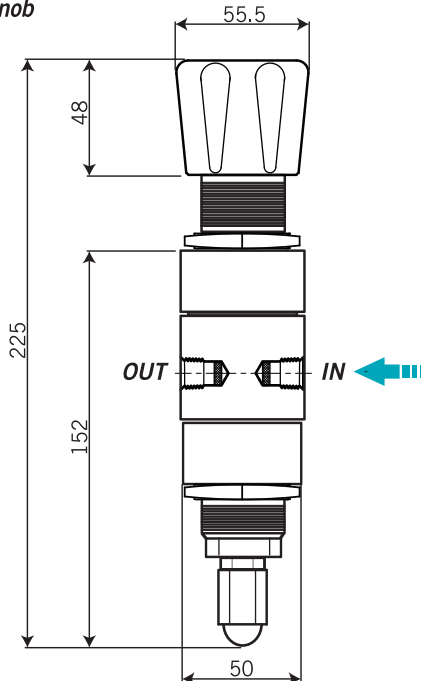
For using gas and liquid
Inlet pressure: 3500 psig (241 kg/cm²)
Adjustable outlet pressure in ranges: 25, 50, 100, 150, 250 Psig
Operating temperature: -20°C to 74°C
Diaphragm material: 316L stainless steel
Body material: 316L stainless steel
Bonnet material: 316L stainless steel
Seat material: Teflon
Process connection: ¼" NPT female
Two gauge connection ports are: ¼" NPT female
CV flow coefficients: 0.06 Cv
Leakage: Internal: Bubble-Tight

Standard Port Configuration



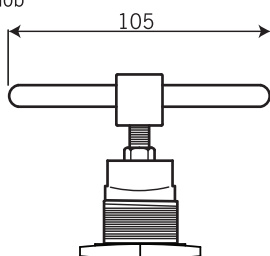
Dimensions

Plastic Knob



Metal Knob

Flat-Head knob



Option:



Hexagonal Knob

unit=mm

Ordering Information

PRU110	Code	Body Material
	1	316L stainless steel
		Code Knob Material
	A	Plastic
	B	Metal (Flat-Head)
	C	Metal (Hexagonal)
		Code Max. Inlet Pressure
	1	3500 psig
		Code Outlet Pressure Range
	1	0-25 Psig
	2	0-50 Psig
	3	0~100 Psig
	4	0~150 Psig
	5	0~250 Psig
		Code Seat Mateiral
	A	Teflon
		Code Port Configuration
		A

PRU110						
--------	--	--	--	--	--	--