

# HIGH PRESSURE REDUCING REGULATOR

## PRU175 – Piston Type

### Technical Data

For using gas and liquid

**Inlet pressure:** 6000 psig (414 kg/cm<sup>2</sup>)

**Adjustable outlet pressure in ranges:** 1136 psig (0~80 kg/cm<sup>2</sup>),  
2500 psig (0~172 kg/cm<sup>2</sup>)

**Operating temperature:** -25°C to 75°C

**Body material:** 316L stainless steel

**Bonnet material:** 316L stainless steel

**Seat material:** PCTFE

**O-Ring:** Viton

**Back-Up Ring:** Viton

**Process connection:** ½”NPT female

**Two gauge connection ports are:** ¼”NPT female

**CV flow coefficients:** 0.2 Cv

**Leakage:** Bubble-Tight

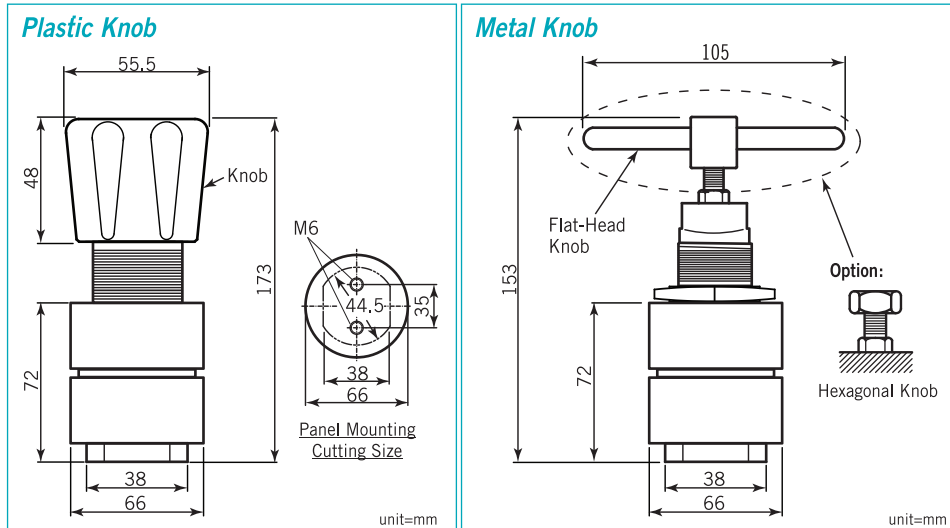


Plastic Knob

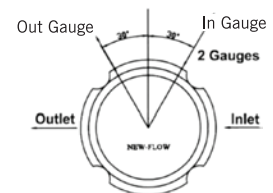


Metal Knob

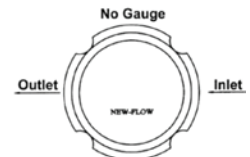
### Dimensions



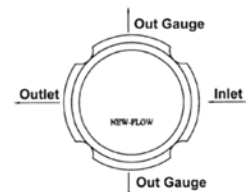
### Standard Port Configuration



A



B



D

### Ordering Information

PRU175	<b>Code</b>	<b>Body Material</b>					
	1	316L stainless steel					
	A	<b>Code</b>	<b>Knob Material</b>				
		A	Plastic	B	Metal (Flat-Head)	C	Metal (Hexagonal)
		<b>Code</b>	<b>Max. Inlet Pressure</b>				
	1	6000 psig					
	1	<b>Code</b>	<b>Outlet Pressure Range</b>				
		1	1136 psig (0~80kg/cm <sup>2</sup> )	2	2500 psig (0~172kg/cm <sup>2</sup> )		
	A	<b>Code</b>	<b>Seat Material</b>				
		A	PCTFE				
A	<b>Code</b>	<b>Port Configuration</b>					
	A	A type					
	B	B type					
	D	D type					
Complete Ordering Code							