

# PRESSURE REDUCING REGULATOR

## PRU200

### Technical Data

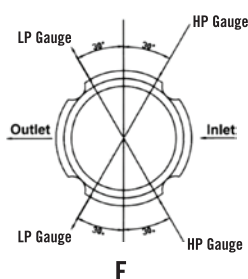
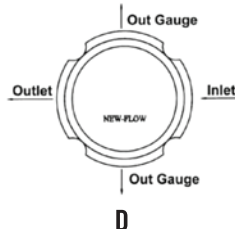
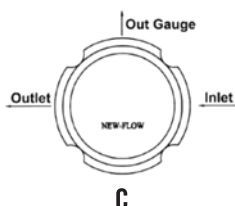
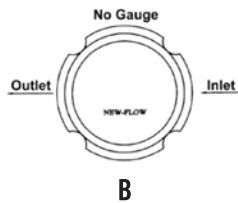
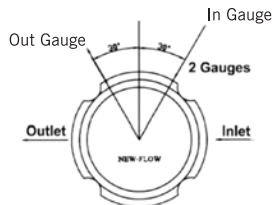
For using gas and liquid  
 Inlet pressure: 600, 3500 Psig maximum  
 Adjustable outlet pressure in ranges: 150, 250, 500 Psig  
 Operating temperature: -60 to 150°C  
 Diaphragm material: 316L stainless steel  
 Body material: 316L stainless steel  
 Seat material: Teflon, PFA, and Special Teflon Seat available  
 CV flow coefficients: 1.0  
 Process connection: ½”NPT female  
 Two gauge connection ports are: ¼”NPT female  
 Use no oil: available



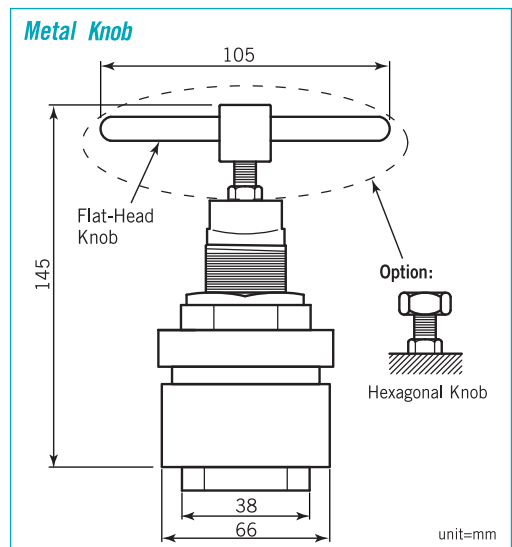
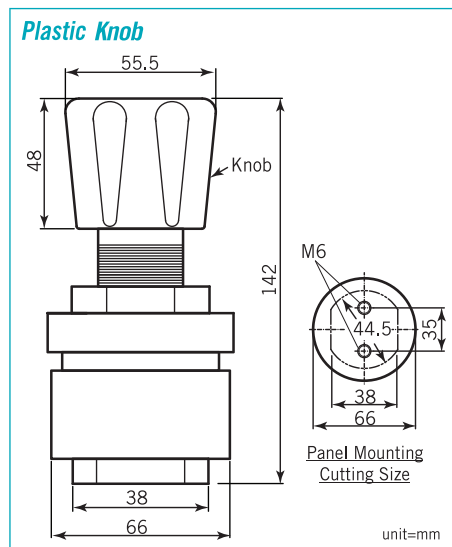
Plastic Knob

Metal Knob

### Standard Port Configuration



### Dimensions



### Ordering Information

PRU200	Code	Body Material					
	1	316L Stainless Steel					
	A	Code	Knob Material				
		A	Plastic	B	Metal (Flat-Head)	C	Metal (Hexagonal)
		Code	Max. Inlet Pressure				
	1	600 Psig					
	2	3500 Psig					
	1	Code	Outlet Pressure Range				
		1	2-150 Psig	2	3-250 Psig	3	5-500 Psig
		Code	Seat Material / Max. Inlet Pressure / Temp. Limit				
A	Teflon / 600 Psig / -20°C~+80°C						
B	PFA / 3500 Psig / -20°C~+150°C						
C	Special Teflon Seat / 3500 Psig / -60°C~+80°C						
A	Code	Port Configuration					
	A	B	C	D	E		
PRU200						Complete Ordering Code	