

PS2000W

# PRESSURE SWITCH NEMA 4, 4X, IP66

## PS2000W

**Proof Pressure to 5000psi**  
**Adjustable Ranges: 10~4000psi**  
**Temperature: -30 to 205°C**

The New-Flow PS2000W, a water proof pressure switch, is designed to be used in control systems. PS2000W has high set point repeatability and narrow dead band features. A variety of range selections are available upon request. Easily adjusted to the set point, and no special tools needed!

### Technical Data

**Switch Data:** one SPDT & two SPDT Microswitch, 15amps 125/250VAC, DC 125V 0.4A, DC 30V 3A / Gold Contact Microswitch 1A 125/250VAC  
**Housing:** die cast aluminum alloy with paint  
**Conduit Connection:** Female 3/4", 1/2" NPT, M20 x P1.5 available  
**Pressure Element:** welded type diaphragm  
**Process Material:** Wetted parts all in SS316  
**Process Connection:** Female 1/2" or 1/4" NPT, BSP, PT; and M20xP1.5 thread available  
**Repeatability:** ±1% of full scale

### Range Selection Table

Code	Adjustable Range	Dead Band	Maximum Pressure Proof
10R	10~100 psi	2.8 ~6.4	3000 psi
20R	35~200 psi	4.3~7.0	3000 psi
30R	50~300 psi	4.3~7.0	3000 psi
60R	100~600 psi	5.0~15	3000 psi
130R	100~1300 psi	14.2~56.8	3000 psi
240R	300~2400 psi	14.2~71	4000 psi
400R	400~4000 psi	23.6~117.9	5000 psi



### Patent No.

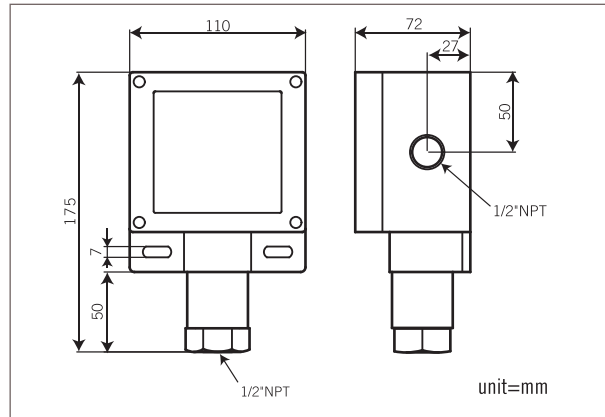
M295332  
M334932  
China: 920135

### Approvals:



Switches with UL & CSA Recognized and File No. E12252.

### Dimensions



### Ordering Information

PS2000W	Code	Range							
		<b>10R</b>	10~100 psi	<b>20R</b>	35~200 psi	<b>30R</b>	50~300 psi	<b>60R</b>	100~600 psi
		<b>130R</b>	100~1300 psi	<b>240R</b>	300~2400 psi	<b>400R</b>	400~4000 psi		
	<b>Code</b>	<b>Wetted Parts Material</b>							
	<b>A</b>	SS316							
	<b>Code</b>	<b>Process Connection- Female</b>							
		(1) 1/2" NPT (2) 1/4" NPT (3) 1/2" BSP (4) 1/4" BSP (5) 1/2" PT (6) 1/4" PT (7) M20 x P1.5							
	<b>Code</b>	<b>Conduit Connection</b>							
		(E) 3/4" NPT Female (F) 1/2" NPT Female, standard (G) M20 x P1.5 Female							
	<b>Code</b>	<b>Switch Form</b>							
	<b>1</b>	Micro Switch, 1 SPDT							
	<b>2</b>	Micro Switch, 2 SPDT (one setting point)							
	<b>3a</b>	Gold Contact, 1 SPDT							
	<b>3b</b>	Gold Contact, 2 SPDT (one setting point)							
<b>PS2000W</b>									<b>Complete Ordering Code</b>

WWW.NEW-FLOW.COM • TEL: 886-7-8135500 • FAX: 886-7-8225588 • Email: info@new-flow.com