

FILLED TYPE THERMOMETERS W/MICRO SWITCH

SME4/SAE4(Ø100) & SME6/SAE6(Ø150)

Technical Data

Remote Mounting Type

Material of Case & Cover: 316 Stainless Steel, option available

Material of Sensor Bulb Capillary Tube, Flex Tube:

SS304, SS316, and others available

Lens: Glass, safety glass available

Range Limit: -200 ~ +600°C, option available

Housing Enclosure: IP66

Accuracy: Gauge Indication: ±1% F.S; Switch Acting Differential: ±1.6~3% F.S

Capillary Tube Length Limited: Liquid filled type: 10M;

Gas filled type: max. 50M; option available

Stem Dimensions: ø6, 8, 10, 12mm available

Process Connection: ½"NPT standard; other available

Over Range Protection: 130% F.S.

Switch Form: One setting point SPDT x 1 or Two setting point SPDT x 2

Set Point: Full scale range available

Switch Data:

	AC Load	DC Load
Nominal Operating Voltage	250 VAC max.	28 VDC max.
Current	5A max.	5A max. (ohmic load) 3A max. (inductive load)
Contact Material	Pure silver 999.9	Pure silver 999.9
Ambient Temperature	-20°C ~ +70°C	-20°C ~ +70°C

SAE
(Panel Mounting)



SME
(Wall Mounting)

Patent No.

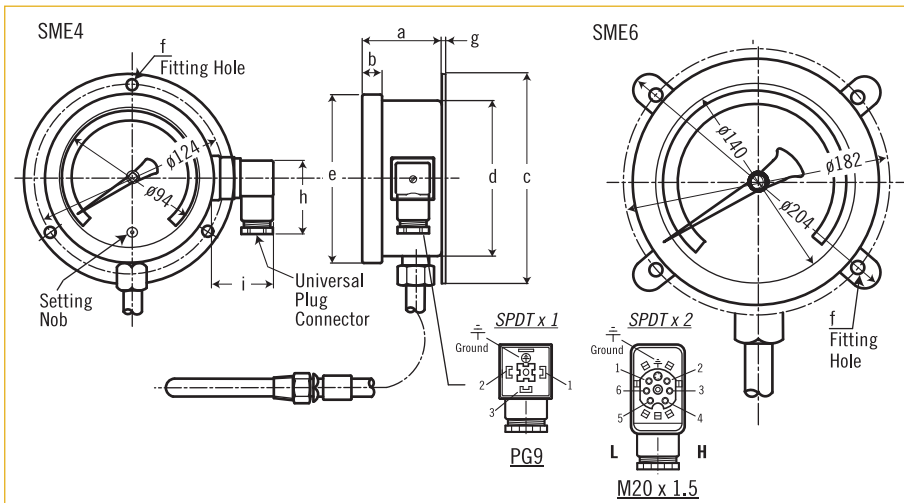
M337067

Approvals:



Switches with UL & CSA Recognized and File No. E12252.

Dimensions

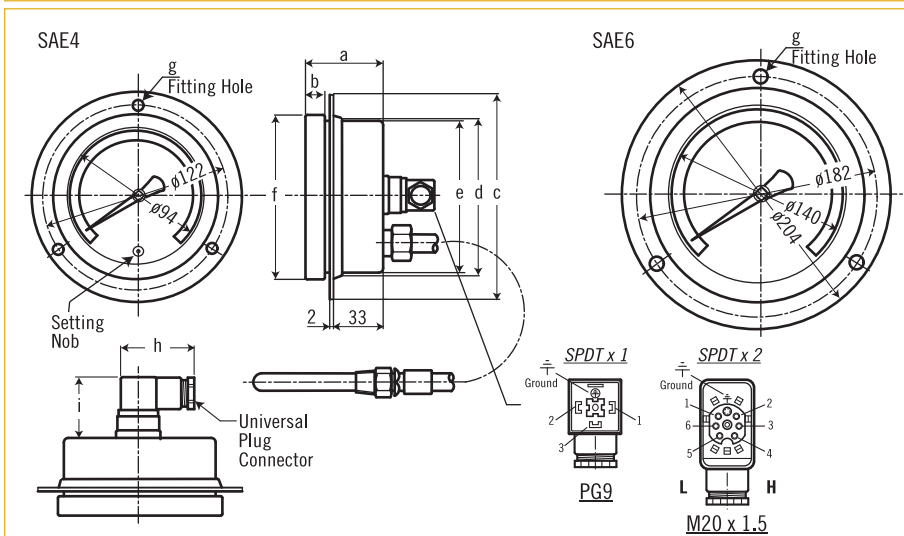


Symbol	a	b	c	d	e	f	g
Model							
SME4	70	33	138	102	113	3-ø5.5	9
SME6	73.5	34	204	153	165	4-ø8.0	2

unit=mm

Switch Form	h	i
SPDT x 1	54	44
SPDT x 2	72	51

*Sensor bulb and connection consult to factory.
*Remote capillary length: Maximum length 50M



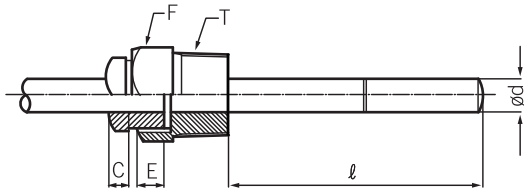
Symbol	a	b	c	d	e	f	g
Model							
SAE4	74	33	134	107	102	113	3-ø5.5
SAE6	73.5	34	204	153	153	165	3-ø7.0

unit=mm

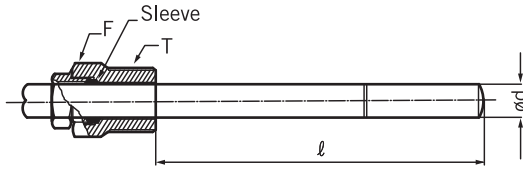
Switch Form	h	i
SPDT x 1	54	44
SPDT x 2	72	51

*Sensor bulb and connection consult to factory.
*Remote capillary length: Maximum length 50M

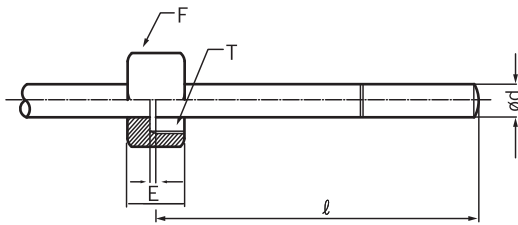
Connection Type



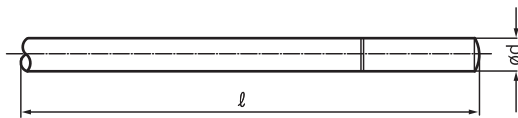
(A) Rotary Thread Type (Male thread)
 (The male thread position is immobile, but rotation 360° available.)



(B) Slide Thread Type
 (Length "l" changed available.)
 (The slide thread can be moved up and down, and the length of sensor can be adjusted by user.)



(C) Rotary Thread Type (Female thread)
 (The female thread position is immobile, but rotation 360° available.)



(D) Non Thread Type

T: Process connection
 E: Stop plate for (rotary & rotation style)
 F: Hexagonal head
 l: Sensor length
 d: Sensor dimension

Table for Range and Insertion

Liquid Filled Type						
Standard Scale Range (°C)	Minor Division (°C)		Minimum Insertion Length (mm)			
			Outer Diameter of Stem			
	ø100	ø150	ø6	ø8	ø10	ø12
-70~+50	2	2	100	70	40	30
-50~+50	1	1	120	80	50	30
-30~+50	1	1	150	100	60	40
-30~+100	2	2	100	70	40	30
-10~+50	1	1	190	130	70	50
-10~+100	2	2	110	80	50	30
0~50	1	1	230	150	80	60
0~60	1	1	190	130	70	50
0~80	1	1	150	100	60	40
0~100	1	1	120	80	50	30
0~120	2	2	100	70	40	30
0~150	2	2	80	60	40	30
0~200	2	2	70	50	30	20
0~250	5	5	60	40	30	20
0~300	5	5	50	40	30	20
0~400	5	5	40	30	20	20

Gas Filled Type		
Standard Scale Range (°C)	Minor Division (°C)	
	ø100	ø150
-200~+200	5	5
-100~+300	5	5
-50~+400	5	5
-50~+500	10	10
-50~+600	10	10
0~400	5	5
0~500	10	10
0~600	10	10

Minimum Stem Length		
mm	ød	
Minimum Length	ø10	ø12
	140	90

OPTION.

1. Please note the minimum insertion length is not including the thread.
2. Special Range / Scale / Stem Diameter / Length are available upon request.

