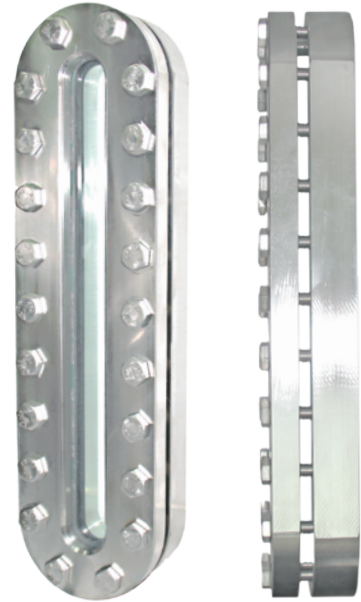


# SIGHT GLASS SV SERIES

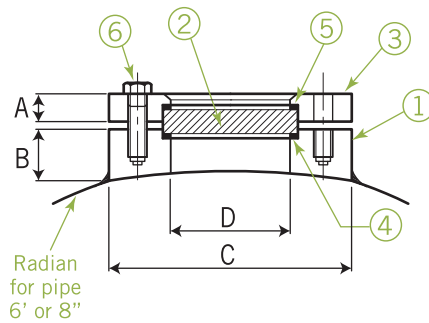
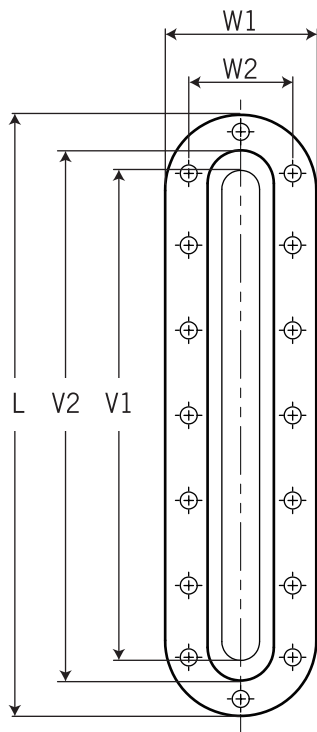
**Welding– In Vessel Type**  
**Low Pressure System Used**

## Technical Data

**Length:** 1 section; please refer to the Dimensions Table  
**Wide:** 67mm or 80mm available  
**Pressure Limit:** Up to 40 bar (kg/cm<sup>2</sup>); depending on request size  
**Temperature Limit:** Up to 280°C  
**Material:** Wetted parts & Body– SS304, SS316, and others on request;  
 Sight Glass– Tempered borosilicate glass (Transparent);  
 Bolt– SS304 and others on request;  
 Gasket– NonAsbestos (standard), Teflon on request



## Dimensions



### Parts List & Material:

No.	Parts Name	Material
1	PAD Flange	SS304 or SS316 available
2	Sight Glass	Tempered Borosilicate Glass
3	Cover	SS304
4	Gasket	NonAsbestos, t=3mm
5	Gasket	NonAsbestos, t=3mm
6	Bolt, M10	SS304

### Dimensions Data:

Radian for Pipe	Order Code	Total Length L (+5 -5mm)	Section No.	Visible Length V1	Glass Length V2	Pad Flange B x C	Cover Thk. A	D	Bolts		Weight (kg)
									No.	W	
6"	SV-A1-6	220	1	175	190	24 x 67	15.8	35	10	51	---
8"	SV-A1-8										
6"	SV-A2-6	318	1	260	280	24 x 80	19.1	35	10	51	---
8"	SV-A2-8										

unit=mm

## Ordering Information

SV	Code	Order Code
		Please fill in the order code directly. (A1 or A2)
		(0) option (customize)
	<b>Code</b>	<b>Body (Pad Flange) Material</b>
		(1) SS304 (2) SS316 (0) option
	<b>Code</b>	<b>Sight Glass Type</b>
	R	Reflex
	T	Transparent
	<b>Code</b>	<b>Gasket Material</b>
	1	Non-Asbestos
	2	Teflon
SV		