

THERMOCOUPLE AND RTD ASSEMBLIES

Approvals:



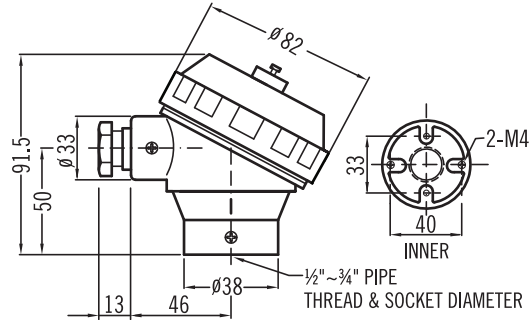
Head Type Technical Data



HN TYPE

HN Type

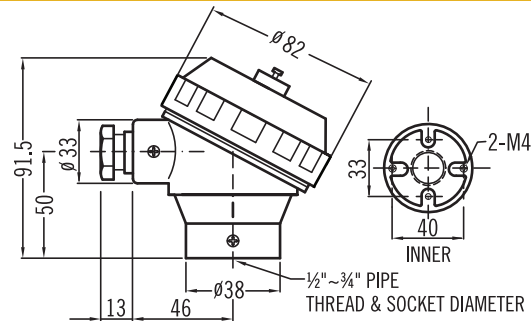
Protection: IP68
Material: Aluminum Alloy
Weight: 264g
Protection tube connection: 1/2", 3/4" (PF, NPT, BSP), M20X1.5
Extension wire connection: 1/2", 3/4" (PF, NPT, BSP), M20X1.5
 Other specifications are available on request.



LS TYPE

LS Type

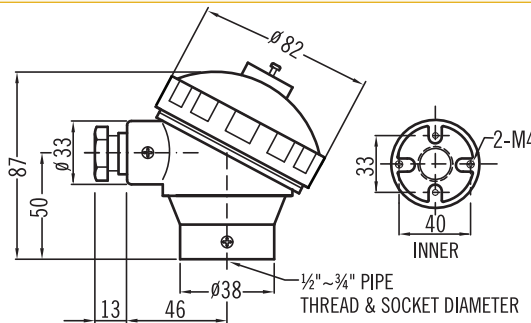
Protection: IP68
Material: SS316
Weight: 764g
Protection tube connection: 1/2", 3/4" (PF, NPT, BSP), M20X1.5
Extension wire connection: 1/2", 3/4" (PF, NPT, BSP), M20X1.5
 Other specifications are available on request.



HP TYPE

HP Type

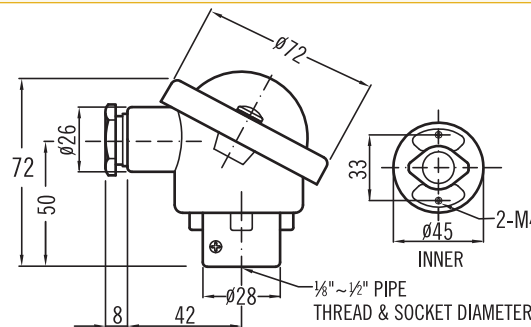
Protection: Weather Proof Type
Material: Polypropylene
Weight: 112g
Protection tube connection: 1/2" NPT, 1/2" BSP
Extension wire connection: 3/4" NPT, M20X1.5
 Other specifications are available on request.



HD TYPE

HD Type

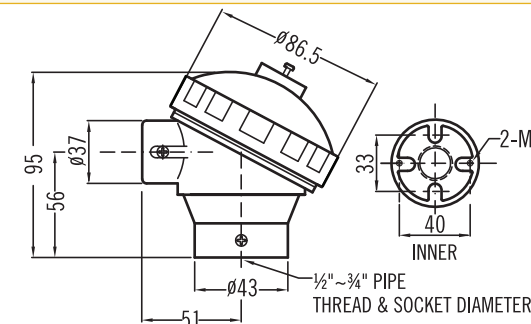
Protection: IP68
Material: Aluminum Alloy
Weight: 158g
Protection tube connection: 1/2" PF, 1/2" BSP
Extension wire connection: M22X1.5, PG16
 Other specifications are available on request.



HI TYPE

HI Type

Protection: IP67
Material: Cast Iron
Weight: 1600g
Protection tube connection: 1/2", 3/4" (PF, NPT, BSP), M20X1.5
Extension wire connection: 1/2", 3/4" (PF, NPT, BSP), M20X1.5
 Other specifications are available on request.

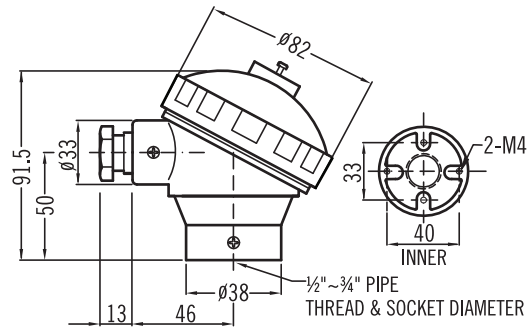




HB TYPE

HB Type

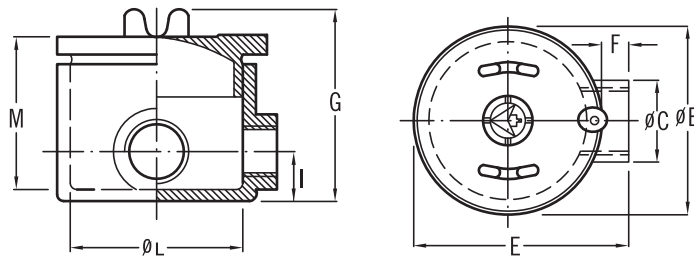
Protection: IP65
Material: Bakelite
Weight: 156g
Protection tube connection: ½"PF
Extension wire connection: ½"PF
 Other specifications are available on request.



MS-1 TYPE

MS-1 Type

Protection: IP66
Material: Aluminum Alloy
Extension wire connection: ½"NPT, ¾"NPT



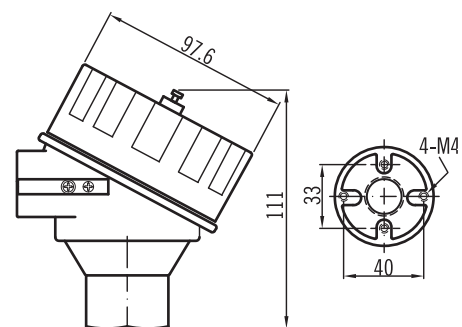
Type	Dimensions								Terminal Block (on request)	Weight Gr.
	ØB	ØC	E	F	G	I	ØL	M		
MS-1	100	38	110	13	80	24	88	68	4x4 mm ²	650



XDS TYPE

XDS / XDA Type

Material: XDS-SS316; XDA-Aluminum alloy
Weight: XDS-1278 g; XDA-460 g
Protection tube connection: ½"PF, ¾"PF, ½"NPT, ¾"NPT, ½"BSP, ¾"BSP, G½", G¾", M20x1.5, M24x1.5, M25x1.5
Extension wire connection: M20x1.5, M25x1.5, ½"NPT, ¾"NPT
ATEX Approvals: II 2G D
 Ex db IIC T6 Gb
 Ex tb IIIC T100°C Db
FM Approvals: XP/II/1/ABCD/T6; DIP/II,III/1/EFG/T6; Type 4X



XDA TYPE

Explosionproof for Class I, Division 1, Groups A,B,C and D; and dust-ignitionproof for Class II, III Division 1, Groups E,F and G, hazardous (classified) locations; indoor / outdoor (NEMA Type 4X).



S1 TYPE

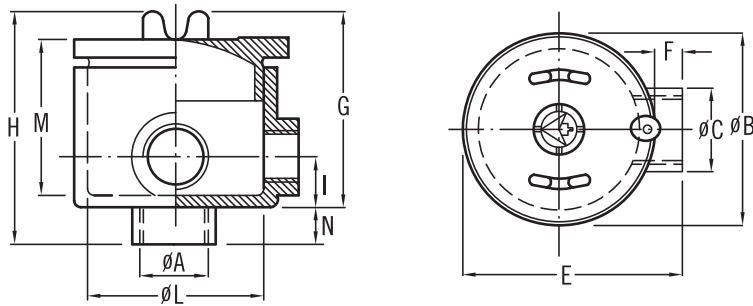


S2 TYPE

S1 & S2 Type

Protection: Explosion proof, EEx d IIC-T6, II 2 GD; IP66

Material: Aluminum Alloy



Type	Dimensions											Terminal Block (on request)	Weight Gr.	
	ØA	ØB	ØC	E	F	G	H	I	ØL	M	N			unit:mm
S1	½"	70	31	79	9	72	85	20	55	52	13		4x4 mm ²	350
S2	¾"	90	38	100	10	78	92	24	76	69	14		4x4 mm ²	510



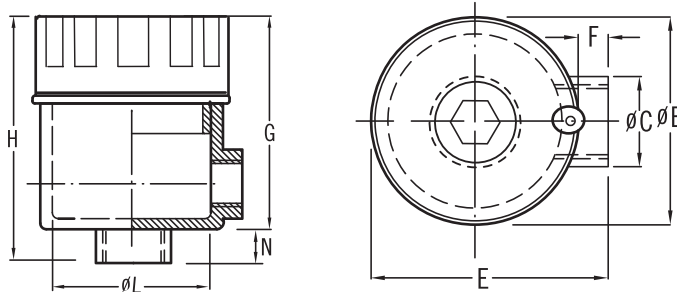
ES & EA TYPE

ES & EA Type

Protection: Explosion Proof Type

Material: ES: SS316, EA: Aluminum Alloy

Extension wire connection: ½", ¾" (PF, NPT, BSP)



Type	Dimensions								Weight Gr.	
	G	H	ØL	N	ØB	ØC	E	F		unit:mm
ES/EA	76	90	56.5	14	74	35.5	87	13		1054g



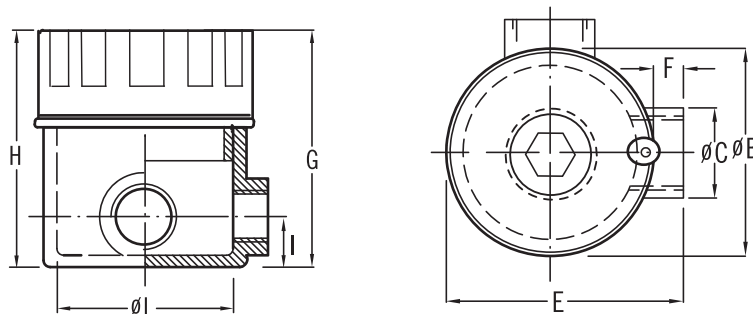
XS & XA TYPE

XS & XA Type

Protection: Explosion Proof Type


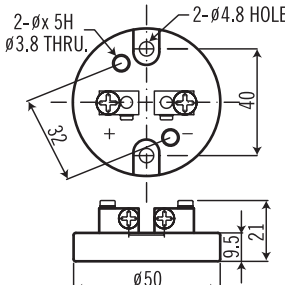

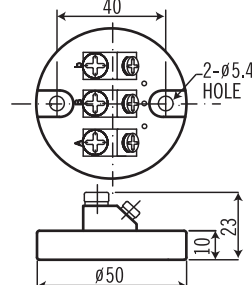
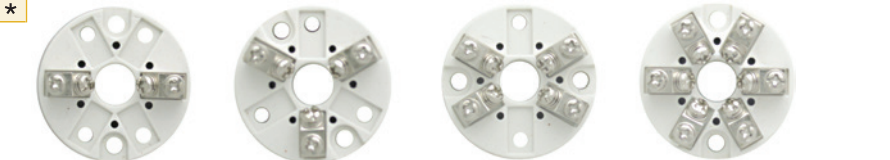
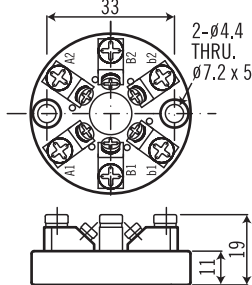

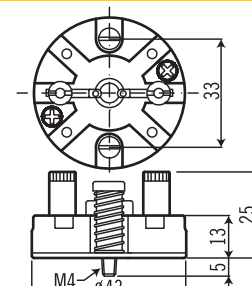
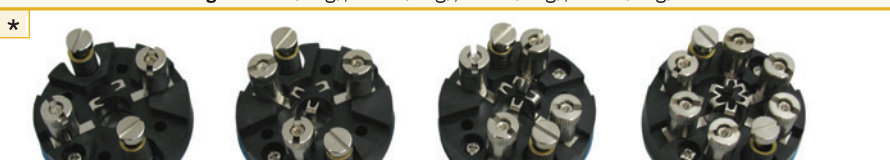
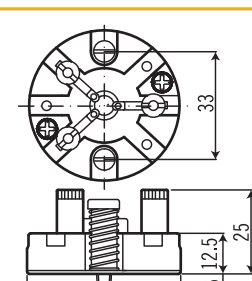

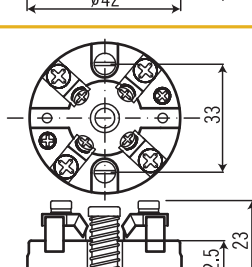
Material: XS: SS316, XA: Aluminum Alloy

Extension wire connection: ½", ¾" (PF, NPT, BSP)



Type	Dimensions								Weight Gr.	
	G	H	I	ØL	ØB	ØC	E	F		unit:mm
XS/XA	76	76	20	56.5	74	35.5	87	13		1058g

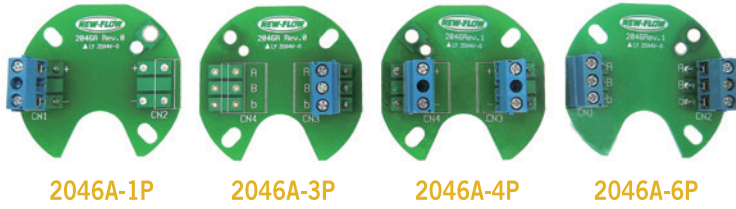
Terminal Type-Terminal blocks for connection heads

 <p>N-2P-A N-3P-A N-3P-A(Y) N-4P-A N-6P-A</p>	
<p>Material: Ceramic Al₂O₃ 92% Temperature limited: 600°C Terminal block weight: 2P-A(72g); 3P-A(78g); 3P-A(Y)(72g); 4P-A(84g); 6P-A(94g)</p>	
 <p>N-2P-B N-3P-B N-3P-B(Y) N-4P-B N-6P-B</p>	
<p>Material: Bakelite Temperature limited: 180°C Terminal block weight: 2P-B(56g); 3P-B(68g); 3P-B(Y)(44g); 4P-B(84g); 6P-B(66g)</p>	
<p>*</p>  <p>M-2P-C M-3P-C M-4P-C M-6P-C</p>	
<p>Material: Ceramic Temperature limited: 600°C Terminal block weight: 2P-C(34g); 3P-C(38g); 4P-C(42g); 6P-C(54g)</p>	
<p>*</p>  <p>D-2P-A D-3P-A D-4P-A D-6P-A</p>	
<p>Material: Ceramic Al₂O₃ 92% Temperature limited: 600°C Terminal block weight: 2P-A(66g); 3P-A(72g); 4P-A(78g); 6P-A(88g)</p>	
<p>*</p>  <p>D-2P-B D-3P-B D-4P-B D-6P-B</p>	
<p>Material: Bakelite Temperature limited: 180°C Terminal block weight: 2P-B(48g); 3P-B(54g); 4P-B(60g); 6P-B(72g)</p>	
<p>*</p>  <p>DS-2P-C DS-3P-C DS-4P-C DS-6P-C</p>	
<p>Material: Ceramic Temperature limited: 600°C Terminal block weight: 2P-C(64g); 3P-C(70g); 4P-C(74g); 6P-C(84g)</p>	

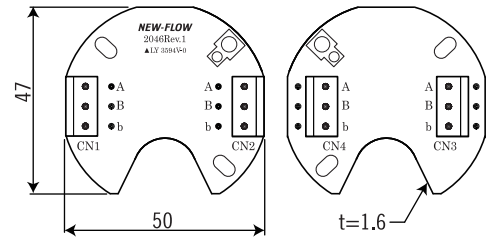
NOTE

* HD Type: Head Type
 HD only choose these terminal blocks of type D-2P-A/M-6P-C/D-3P-B/DS-4P-C.
 All type of terminal blocks are suitable for other head.

Terminal Type-Terminal blocks for connection heads



Material: PCB (FR4)
Temperature Limited: 120°C
Terminal block weight: 2046A-1P(65g); 2046A-3P(70g);
 2046A-4P(75g); 2046A-6P(20g)



Material: Ceramic Al₂O₃, 99%
Temperature Limited: 600°C
Terminal block weight: 2047-1P(65g); 2047-3P(70g);
 2047-4P(75g); 2047-6P(85g)

