

# TUNING FORK VIBRATING LEVEL SWITCH

## VLS5500

**Housing: IP65**

**Explosion Proof:**

**Class I, Groups B, C, D;**

**Class II, Groups E, F, G; NEMA 4X**

VLS5500 Series are assembled with a tuning fork and energized sensor. It vibrates frequently with mechanical resonance to detect level of powders or granular bulk solids.

### Technical Data

**Using in powder or solids**

**Wetted part material:** 316 stainless steel

**Thread connection:** 2" NPT, 2" BSP

**Flange connection:** from 2" to 3", JIS, ANSI, DIN available

**Detection length:**

|        | Minimum | Maximum |
|--------|---------|---------|
| Thread | 200mm   | 450mm   |
| Flange | 245mm   | 450mm   |

**Working temperature:** -30°C~+80°C

**Working pressure:** maximum 100 kg/cm<sup>2</sup>, up to 400 kg/cm<sup>2</sup> on request

**Liquid viscosity:** 0.2~10000 mpas

**Liquid density:** 0.6 g/cm<sup>3</sup>~2.5 g/cm<sup>3</sup>

**Housing:** IP65

**Explosion Proof:** Class I, Groups B, C, D; Class II, Groups E, F, G; NEMA 4X

**Power Supply:** 110VAC, 220VAC, 24VDC

**Contact Form:** SPDT

**Contact Rating:** 20A/125VAC, 12A/250VAC

### Approvals:

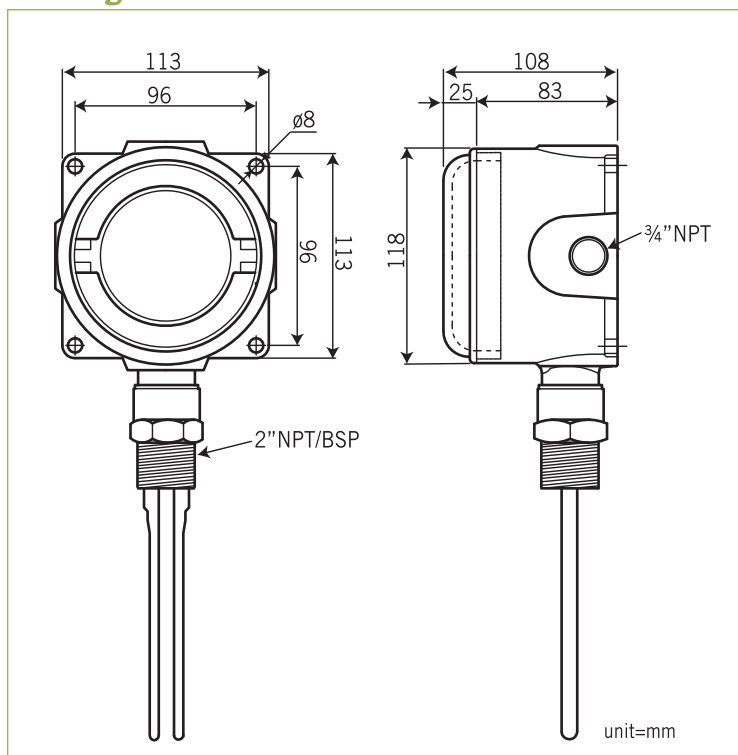


TYPE APPROVED PRODUCT

TD0400TJ



### Housing Dimensions



### Application and Installation

