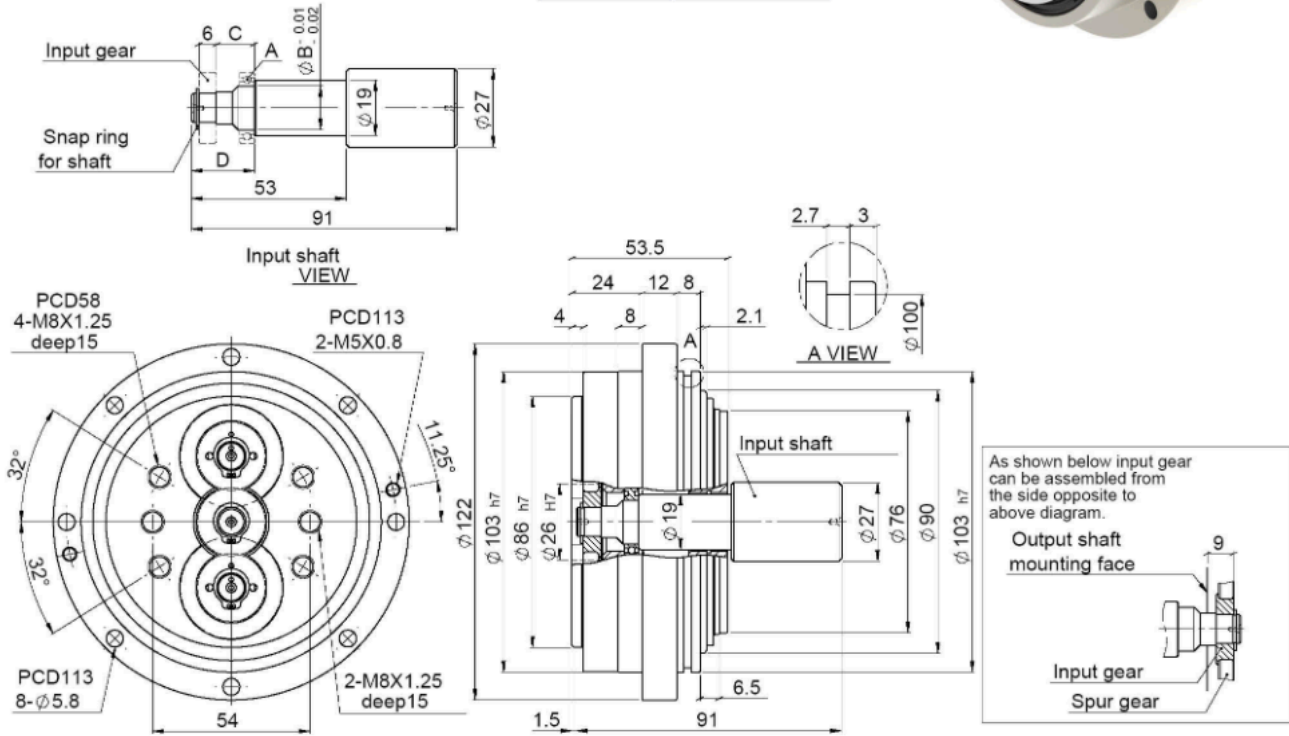


MODEL : RSE6

RATIO : 41、61、81、121

Unit: mm

Model Code	A Type
A	#6802
B	∅15 ^{-0.01} _{-0.02}
C	13
D	21.5



As shown below input gear can be assembled from the side opposite to above diagram.

Output shaft mounting face

Input gear
Spur gear

特性 Characteristic	代號	單位 Unit	RSE6
輸出平台支撐軸承 / Output Table Supporting Bearing			斜角滾珠軸承 Angular Contact Ball Bearing
額定輸出扭矩 / Rated Output Torque		Nm	60
最大輸出扭矩 / Max. Output Torque		Nm	5 倍額定輸出扭矩 5 Time of Rated Output Torque
急停扭矩 / Emergency Stop Torque	T_{2NOT}	Nm	5 倍額定輸出扭矩 5 Time of Rated Output Torque
最大加速力矩 / Max. Acceleration Torque		Nm	2 倍額定輸出力矩 2 Times of Rated Output Torque
慣性慣量 / Inertia Moment		kg.m ²	1.15 x 10 ⁻⁴
額定出力轉速 / Rated Output Speed		rpm	15
最大輸出轉速 / Max. Output Speed		rpm	55
容許輸入轉速 / Permissible Input Speed		rpm	3,000
背隙 / Backlash Ps	J_s	arcmin	≤ 2
背隙 / Backlash P0	J_s	arcmin	≤ 4
背隙 / Backlash P1	J_s	arcmin	≤ 6
容許徑向力 / Max. Radial Force	F_{2rB}	N	2,100
容許軸向力 / Max. Axial Force	F_{2aB}	N	1,500
額定壽命 / Rated Life	L_B	hr	S5 周期運轉 : >6,000 (S1 連續運轉 : >3,000 hrs) S5 Cycle Operation: >6,000 (S1 Continuous Operation: >3,000 hrs)
扭轉剛性 / Torsional Rigidity		Nm/arcmin	50
效率 / Efficiency	η_i	%	≥ 85
重量 / Weight		kg	2.8