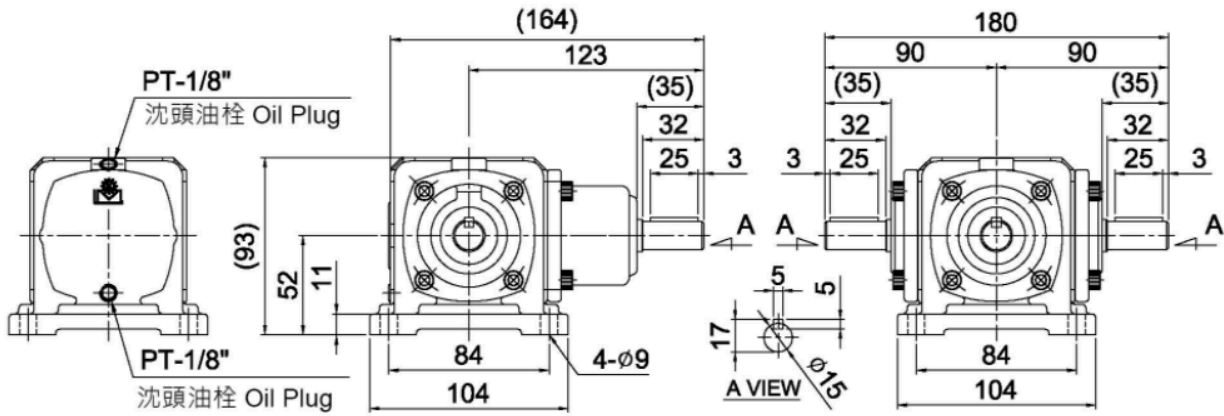


MODEL : TH-15AW



MODEL : TH-15BW

