

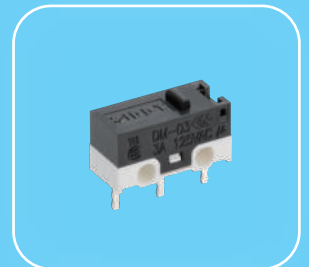
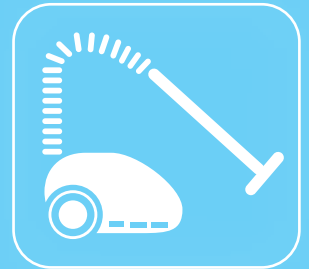


ZIPPY TECHNOLOGY CORP.

# ZIPPY

Let you secure and at ease

Guide Book 2020-2021



## ROTARY SWITCHES ANL SERIES



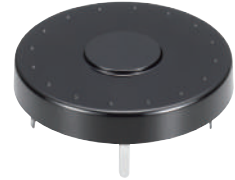
165

## ROTARY SWITCHES ANO SERIES



166

## ROTARY SWITCHES ANM SERIES



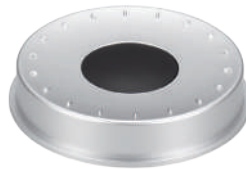
167

## ROTARY SWITCHES ANQ SERIES



168

## ROTARY SWITCHES KC SERIES



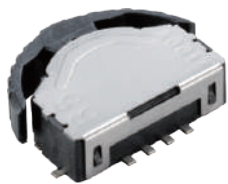
169

## ROTARY SWITCHES KCL SERIES



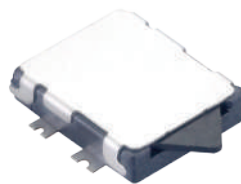
170

## SLIDE SWITCHES B5 SERIES



171

## SLIDE SWITCHES D4 SERIES



172

## SIDE MINI SWITCHES BS SERIES



173

## PUSH SWITCHES P1 SERIES



174

## PUSH SWITCHES P2 SERIES



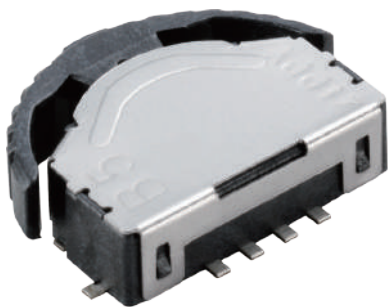
175

## PUSH SWITCHES P3 SERIES



176

# SLIDE SWITCHES



## B5 SERIES

### SPECIFICATIONS

#### Contact Resistance(initial)

Max. 500 mΩ

Measured by ohm meter - open voltage < 1VDC, driver current -100 mA

#### Insulation Resistance(at 100 VDC / minute)

Min. 100 MΩ

#### Operating Temperature Range

-10°C to 60°C ( with no icing )

#### Vibration

10~55Hz, displacement 0.75mm(p-p)

#### Electrical Service Life

Min. 100,000 operations

#### Electrical Operating Frequency

20 operations per minute

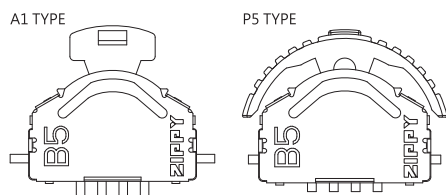
### RATING

10mA, 5VDC

### APPLICATIONS

PDA, MP3 player, Mobile phone

### ACTUATOR TYPES

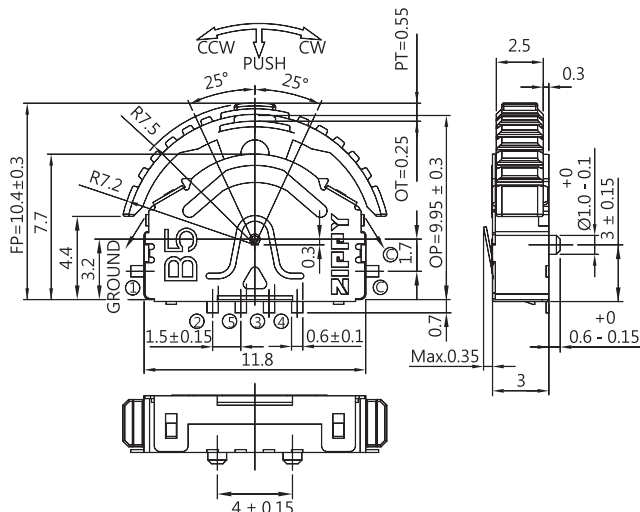


### ORDERING INFORMATION

B	5	—	P	5	—	S	—	0	D	—	Z
SERIES PREFIX	C O D E	ACTUATOR TYPE	C O D E	OPERATING FORCE	C O D E	FEELING TYPE	C O D E	TERMINAL TYPE	ROHS CODE		
	P5	STANDARD	L	150±80gf	0	CLICK	D	SMT TERMINAL SP5T			
	A1	CHANGE ACTUATOR	S	200±100gf	1	NON CLICK	F	SMT TERMINAL SP3T			
			H	250±100gf							
			Q	300±150gf							

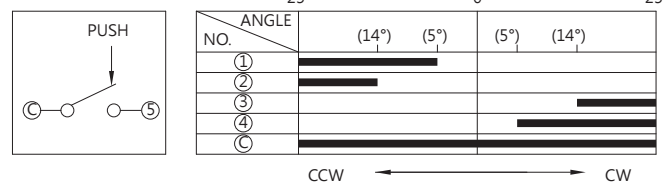
### DIMENSIONS

Unless otherwise specified, a tolerance of ±0.4mm applies to all dimensions.

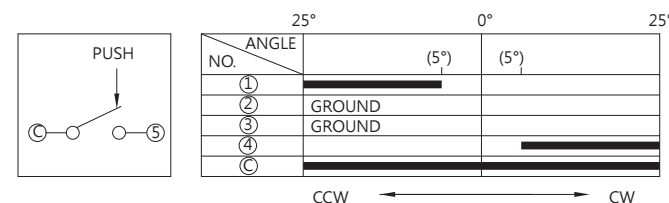


### CONTACT CONFIGURATION

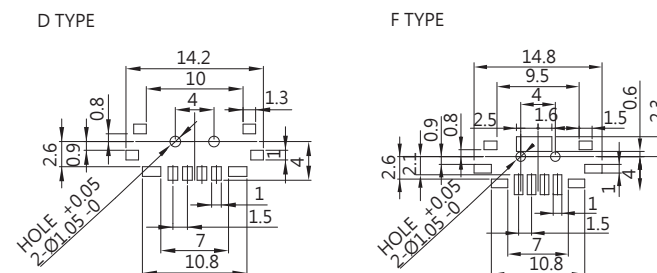
#### D TYPE



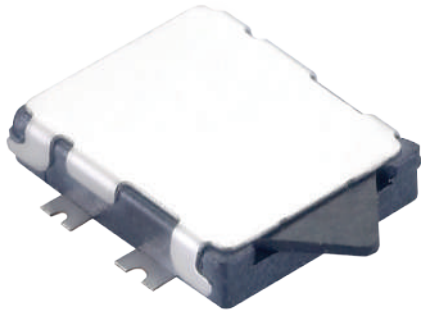
#### F TYPE



### MOUNTING HOLES



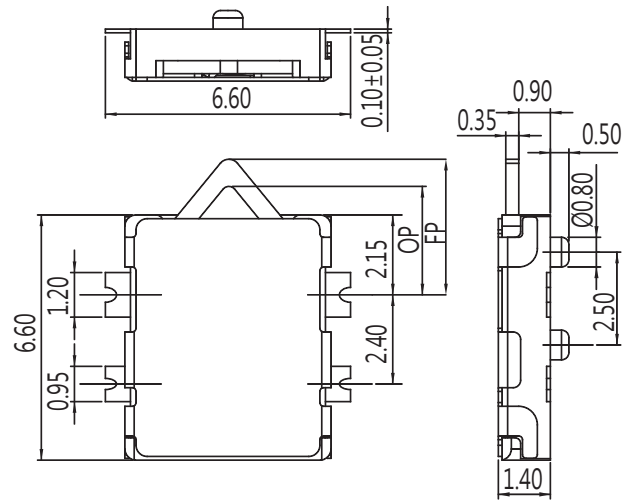
# SLIDE SWITCHES



## D4 SERIES

### DIMENSIONS

Unless otherwise specified, a tolerance of  $\pm 0.4\text{mm}$  applies to all dimensions.



### SPECIFICATIONS

#### Contact Resistance (Initial)

Max. 2Ω

Measured by ohm meter - open voltage < 1VDC, driver current -100 mA

#### Insulation Resistance (At 100VDC/minute)

Min. 100MΩ

#### Dielectric Strength

Min. 100 VAC(50-60HZ)/minute between Live-parts and dead metal parts

#### Operating Temperature Range

-10°C to 60°C (With no icing)

#### Vibration

10 ~ 55 Hz, displacement 0.75 mm (p-p)

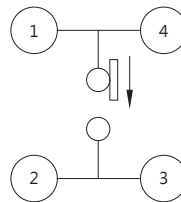
#### Electrical Service Life

Min. 50,000 operations

#### Electrical Operating Frequency

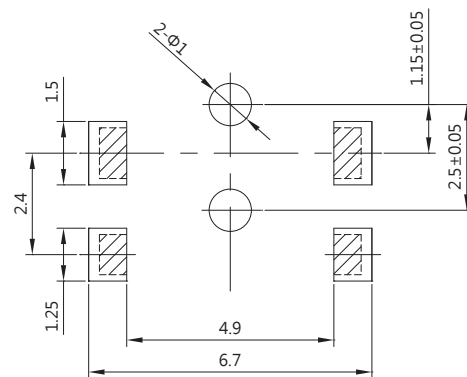
Max.20 operations per minute

### CONTACT CONFIGURATION



TERMINAL	DEFINE
1	NO
2	COMMON
3	COMMON
4	NO

### P.C.B MOUNTING HOLES



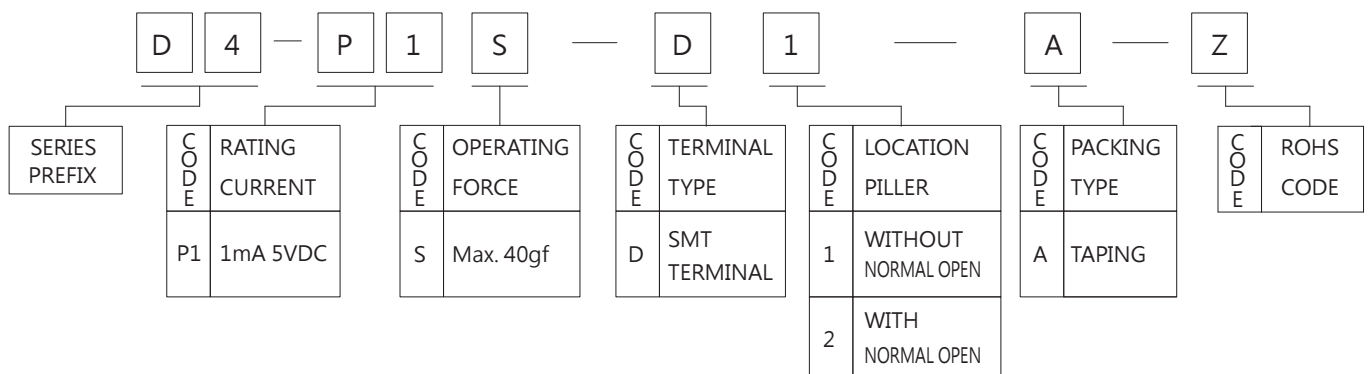
### RATING

1mA 5 VDC

### APPLICATIONS

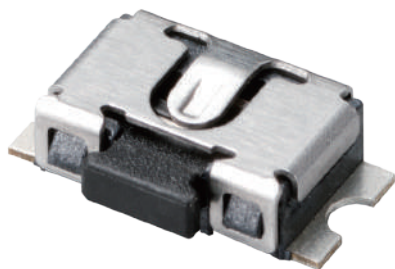
CD-ROM device, Mouse, PDA

### ORDERING INFORMATION



SLIDE SWITCHES

# SIDE MINI SWITCHES



## BS SERIES

### SPECIFICATIONS

Contact Resistance(Initial)

Max. 3Ω

Measured by ohm meter -open voltage<1VDC, driver current -100mA

Insulation Resistance ( at 100VDC/minute )

Min. 100MΩ

Operating Temperature range

0°C to 55°C

Vibration

10~55Hz, displacement 0.75mm(p-p)

Electrical Service Life

Min. 200,000 operations.

Electrical Operating Frequency

30 operations per minute

### RATING

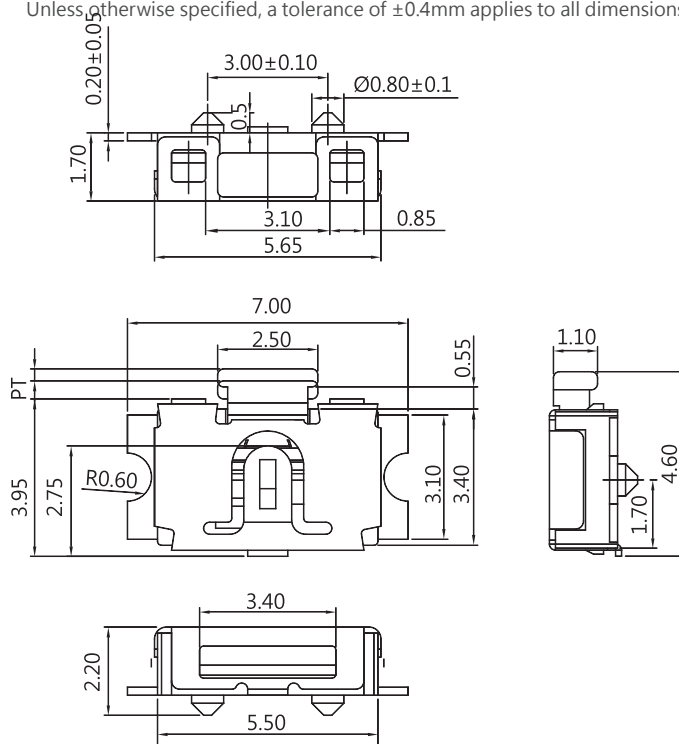
50mA 30VDC

### APPLICATIONS

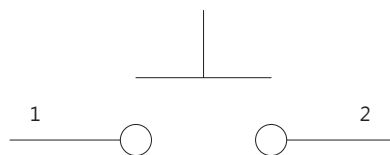
Mp3 Player, PDA, Digital Camera, Mobile Phone

### DIMENSIONS

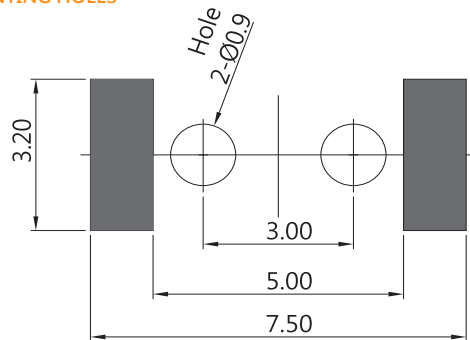
Unless otherwise specified, a tolerance of ±0.4mm applies to all dimensions.



### CONTACT CONFIGURATION



### MOUNTING HOLES



### ORDERING INFORMATION

