

## Heavy-Duty Bus Bars (Imperial Threading - Upgraded 2020)

New Product

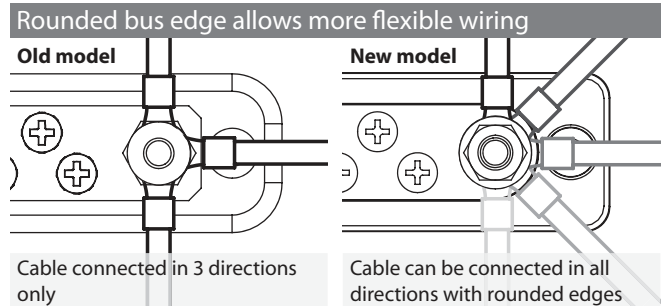
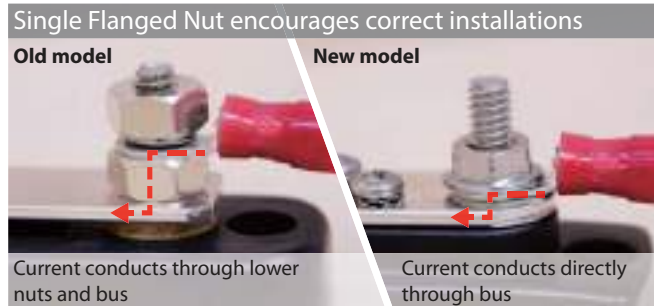
- Imperial threading screws and studs for US market
- Optional insulation cover
- Tin-plated copper bus allowing large current (100A up)
- Stainless steel screws and studs provide great anti-corrosion ability on board
- Upgraded design with Serrated Flange Nuts encourages correct installation of ring terminals
- Can be customized in Metric Threading with MoQ

### Specifications

- Voltage Rating | DC 48V Max
- Studs and Screws | Stainless Steel
- Bus Bar | Tin-Plated Copper

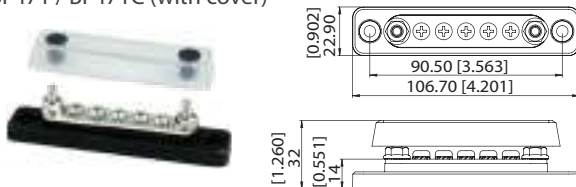
Product ID	Studs	Screws	Rating
BF471	2 x 3/16"-24	5 x #8-32	100A
BF472	4 x 3/16"-24	-	100A
BF473	2 x 1/4"-20	10 x #8-32	150A
BF474	4 x 1/4"-20	-	150A
BF475	2 x 1/4"-20	20 x #8-32	150A
BF476	6 x 1/4"-20	-	150A
BF477	2 x 1/4"-20	12 x #8-32	150A
BF478	4 x 5/16"-18	-	250A
BF479	6 x 5/16"-18	-	250A
BF480	2 x 5/16"-18	12 x #10-24	250A
BF481	4 x 3/8"-16	-	600A
BF482	8 x 3/8"-16	-	600A

### Upgrades from old models

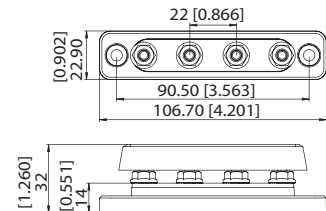


### Mini Bus Bars (100A)

BF471 / BF471C (with cover)



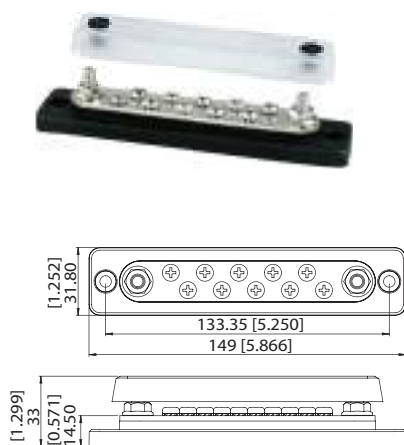
BF472 / BF472C (with cover)



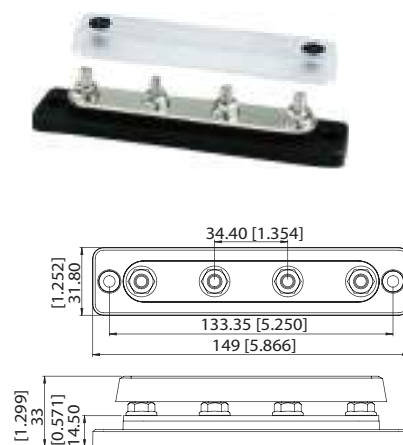
### Common Bus Bars (150A)

Standard 150A bus bar with sturdy design

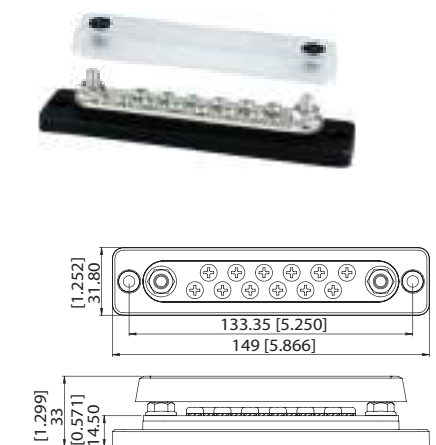
BF473 / BF473C (with cover)



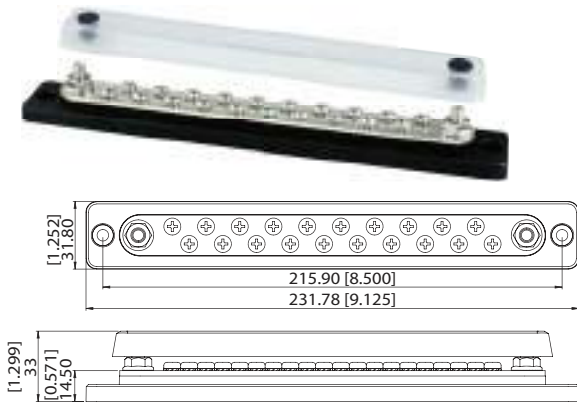
BF474 / BF474C (with cover)



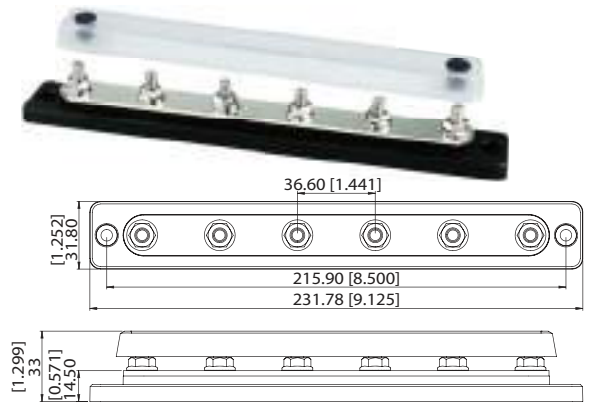
BF477 / BF477C (with cover)



BF475 / BF475C (with cover)



BF476 / BF476C (with cover)

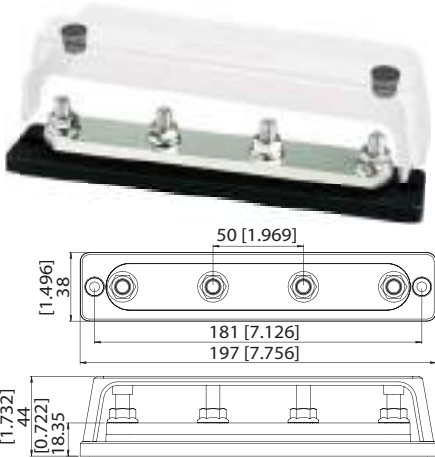


**MaxiPower Bus Bar (250A)**

Heavy Duty copper bus bars carry current up to 250A

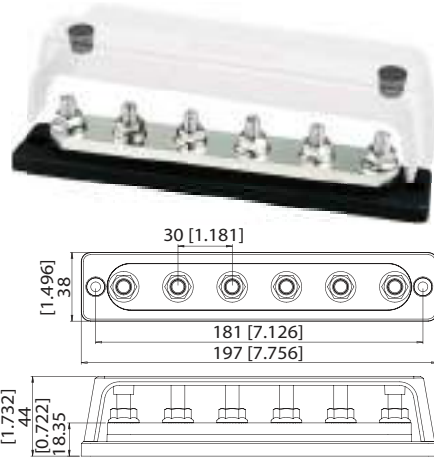
BF478

BF478C (with Cover)



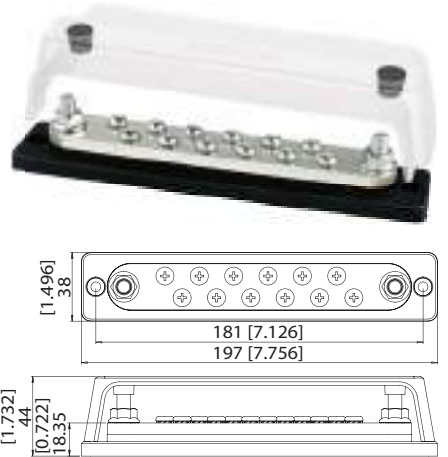
BF479

BF479C (with Cover)



BF480

BF480C (with Cover)



**Ultra Power Bus Bar (600A)**

Bus bars with very large current up to 600A

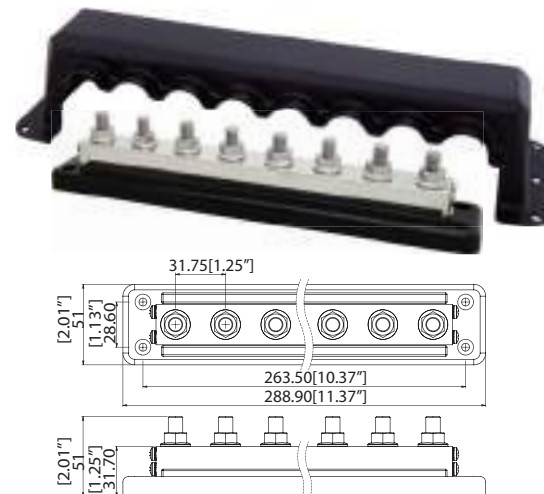
BF481

BF481C (with Cover)



BF482

BF482C (with Cover)



## Marine Grade Bus Bars (Metric Threading)



- Metric threading screws and studs
- Glass fiber reinforced Nylon base ensures great mechanical strength and durability
- Optional transparent insulating cover with recessed area for label stickers
- Tin-plated copper bus allowing current up to 150A
- Stainless steel studs and screws provide great anti-corrosion ability on board
- Insulated base ensures no leakage to metal hulls

### Upgrades from old models

Transparent cover for all models



Insulated base ensures no leakage to metal hulls



New compact base for single bus bars



Bus height differentials allow cable output from the same side (BF427)



### Single Bus Bars

Compact size bus bars with ample 150A capacity

BF421-6P / BF425-6P

BF421C-6P / BF425C-6P (with cover)



BF421-12P / BF425-12P

BF421C-12P / BF425C-12P (with cover)



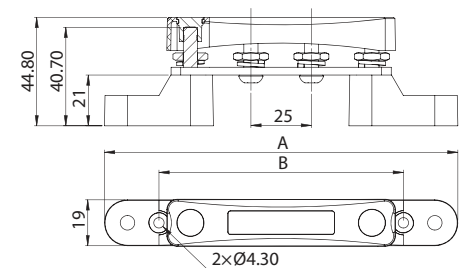
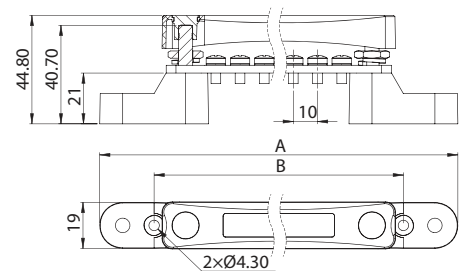
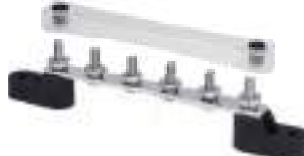
BF423-4P

BF423C-4P (with cover)



BF423-6P

BF423C-6P (with cover)



Product ID	Studs	Screws	A. Length (mm)	B. Mounting Centers (mm)	Rating	Bus Material
BF421-6P	2 x M6 (1/4")	6 x M4 (5/32")	146	101	100A	Brass
BF421-12P	2 x M6 (1/4")	12 x M4 (5/32")	206	161	100A	Brass
BF425-6P	2 x M6 (1/4")	6 x M4 (5/32")	146	101	150A	Copper
BF425-12P	2 x M6 (1/4")	12 x M4 (5/32")	206	161	150A	Copper
BF423-4P	4 x M6 (1/4")	-	146	101	100A	Brass
BF423-6P	6 x M6 (1/4")	-	206	161	100A	Brass

### Common Bus Bars

Standard common bus bars with 10 or 22 terminals

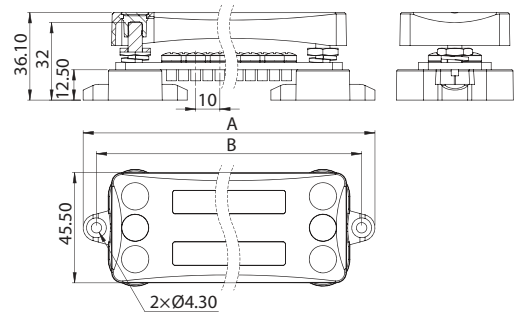
BF424-10P

BF424C-10P (with cover)



BF424-22P

BF424C-22P (with cover)



Product ID	Studs	Screws	A. Length (mm)	B. Mounting Centers (mm)	Rating
BF424-10P	2 x M6 (1/4")	10 x M4 (5/32")	118	107	150A
BF424-22P	2 x M6 (1/4")	22 x M4 (5/32")	178	167	150A

### Dual Bus Bars

Dual bus bars with removable connecting link

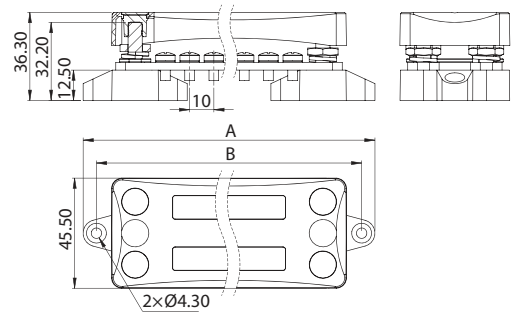
BF422-6P / BF426-6P

BF422C-6P / BF426C-6P (with cover)



BF422-12P / BF426-12P

BF422C-12P / BF426C-12P (with cover)



Product ID	Studs	Screws	A. Length (mm)	B. Mounting Centers (mm)	Rating per bus	Bus Material
BF422-6P	Dual 2 x M6 (1/4")	Dual 6 x M4 (5/32")	118	107	100A	Brass
BF422-12P	Dual 2 x M6 (1/4")	Dual 12 x M4 (5/32")	178	167	100A	Brass
BF426-6P	Dual 2 x M6 (1/4")	Dual 6 x M4 (5/32")	118	107	150A	Copper
BF426-12P	Dual 2 x M6 (1/4")	Dual 12 x M4 (5/32")	178	167	150A	Copper

### "2-Steps" Dual Bus Bar

Bus bars with different heights allowing more flexible wiring

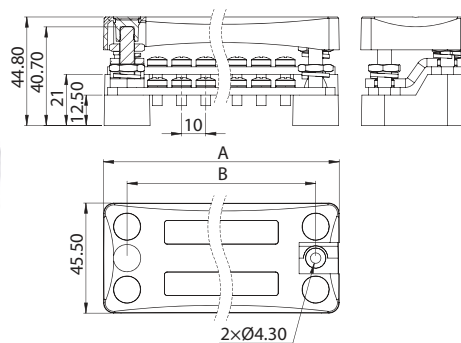
BF427-6P

BF427C-6P (with cover)



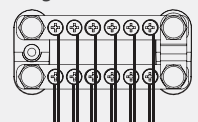
BF427-12P

BF427C-12P (with cover)

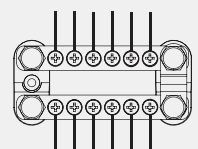


#### Wire Output Options:

Single side



Double Side



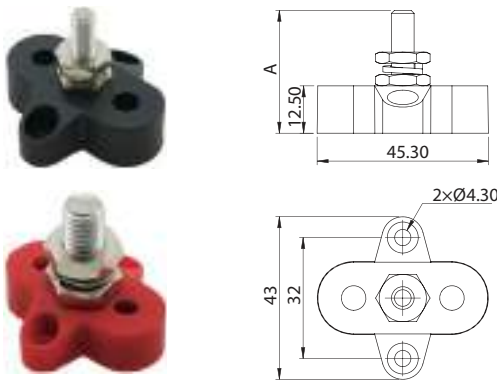
Product ID	Studs	Screws	A. Length (mm)	B. Mounting Centers (mm)	Rating per Bus
BF427-6P	Dual 2 x M6 (1/4")	Dual 6 x M4 (5/32")	94	75	150A
BF427-12P	Dual 2 x M6 (1/4")	Dual 12 x M4 (5/32")	154	135	150A

## Heavy-Duty Terminal Studs

- Allow terminating of heavy-duty cables for one or more connections
- Red or Black colors allowing easy and clear color coding for wiring
- Glass Fiber reinforced Nylon base ensures great mechanical strength and durability
- Heavy duty terminal studs (up to M10)
- Insulated base ensures no leakage to metal hulls (New Feature)

### Single Terminal Studs

BF411



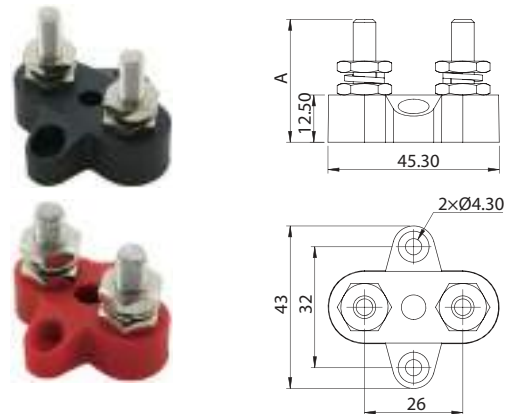
Product ID	Stud Size	A.Height (mm)
BF411-M6 / BF411R-M6	2 x M6 (1/4")	32.5
BF411-M8 / BF411R-M8	2 x M8 (5/16")	32.5
BF411-M10 / BF411R-M10	2 x M10 (3/8")	37.5

## Specifications

- Max Operating Voltage | DC 48V
- Max Amp per circuit | Determined by wires connected
- Terminal Stud Size | See each model

### Dual Terminal Studs

BF412

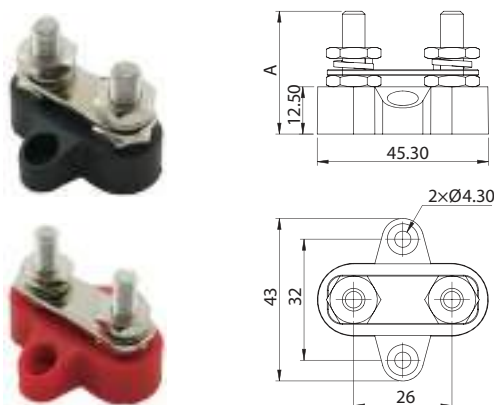


- Dual Terminal Studs with options of different studs sizes

Product ID	Stud Size	A.Height (mm)
BF412-M6 / BF412R-M6	2 x M6 (1/4")	32.5
BF412-M8 / BF412R-M8	2 x M8 (5/16")	32.5

### Dual Terminal Studs with Connecting Link

BF413

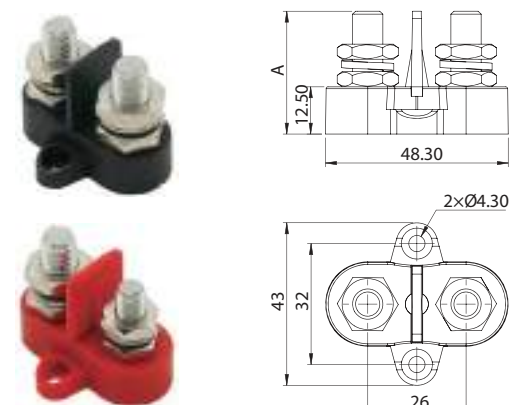


- Dual Terminal Studs with options of different studs sizes
- Removable Connecting Link withstands current up to 80A

Product ID	Stud Size	A.Height (mm)
BF413-M6 / BF413R-M6	2 x M6 (1/4")	32.5
BF413-M8 / BF413R-M8	2 x M8 (5/16")	32.5

### Dual Terminal Studs with Isolating Plate

BF414



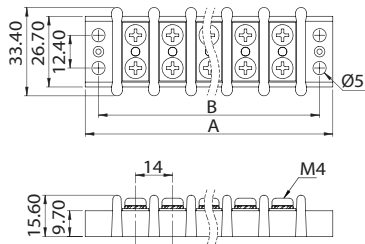
- Dual Terminal Studs with options of different studs sizes
- Removable isolating plate

Product ID	Stud Size	A.Height (mm)
BF414-M8 / BF414R-M8	2 x M8 (5/16")	32.5
BF414-M10 / BF414R-M10	2 x M10 (3/8")	37.5
BF414-M8M10 / BF414R-M8M10	1 x M8 (5/16") + 1 x M10 (3/8")	37.5

New Product

## Terminal Blocks

### Independent Source Terminal Blocks 30A BF401-XXP



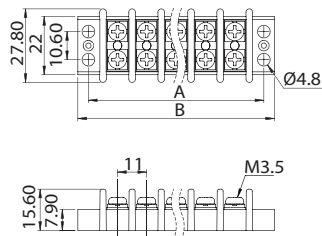
BF-JP-3  
Jumpers for BF401



- Maximum Voltage | 600V AC/DC
- Continuous Rating | 30A
- Base Material | UL 94 V0, Nylon
- Bus Material | Nickel-Plated Brass
- Mounting Screw | M5 (#10)
- Screw Material | Stainless Steel
- Terminal Screws | M4 with exterior gear Washer

Product ID	Circuits	A. Length(mm)	B. Mounting Centers(mm)
BF401-2P	2	52	42
BF401-4P	4	80	70
BF401-6P	6	108	98
BF401-8P	8	136	126
BF401-10P	10	164	154
BF401-12P	12	192	182

### Independent Source Terminal Blocks 20A BF402-XXP



BF-JP-4  
Jumpers for BF402



- Maximum Voltage | 300V AC/DC
- Continuous Rating | 20A
- Base Material | UL 94 V0, Nylon
- Bus Material | Nickel-Plated Brass
- Mounting Screw | M3.5 (#6)
- Screw Material | Steel / Nickel Plated
- Terminal Screws | M3.5
- Wire Terminal Size | M3 (#6)

Product ID	Circuits	A. Length(mm)	B. Mounting Centers(mm)
BF402-2P	2	41	33
BF402-4P	4	63	55
BF402-6P	6	85	77
BF402-8P	8	107	99
BF402-10P	10	129	121
BF402-12P	12	151	143