

Java

Java





A

电瓶附件
Battery Accessory

Page01



B

黄铜蓄電池接头
Brass Battery Terminal

Page07



C

铅蓄電池接头
Lead Battery Terminal

Page12



D

锌蓄電池接头
Zinc Battery Terminal

Page16



型号: BA825
Model:
材料: PP
Material:
外型尺寸: 34X24.5X27cm
Size of the contour:
内尺寸: 26X18X20cm
Inside dimension:
重量: 900g
Weight:



型号: BA826
Model:
材料: PP
Material:
外型尺寸: 44X24.5X27cm
Size of the contour:
内尺寸: 35X18X20cm
Inside dimension:
重量: 1100g
Weight:



- Dual USB Socket
- Plastic CIG Socket
- Rubber waterproof caps attached to both sockets



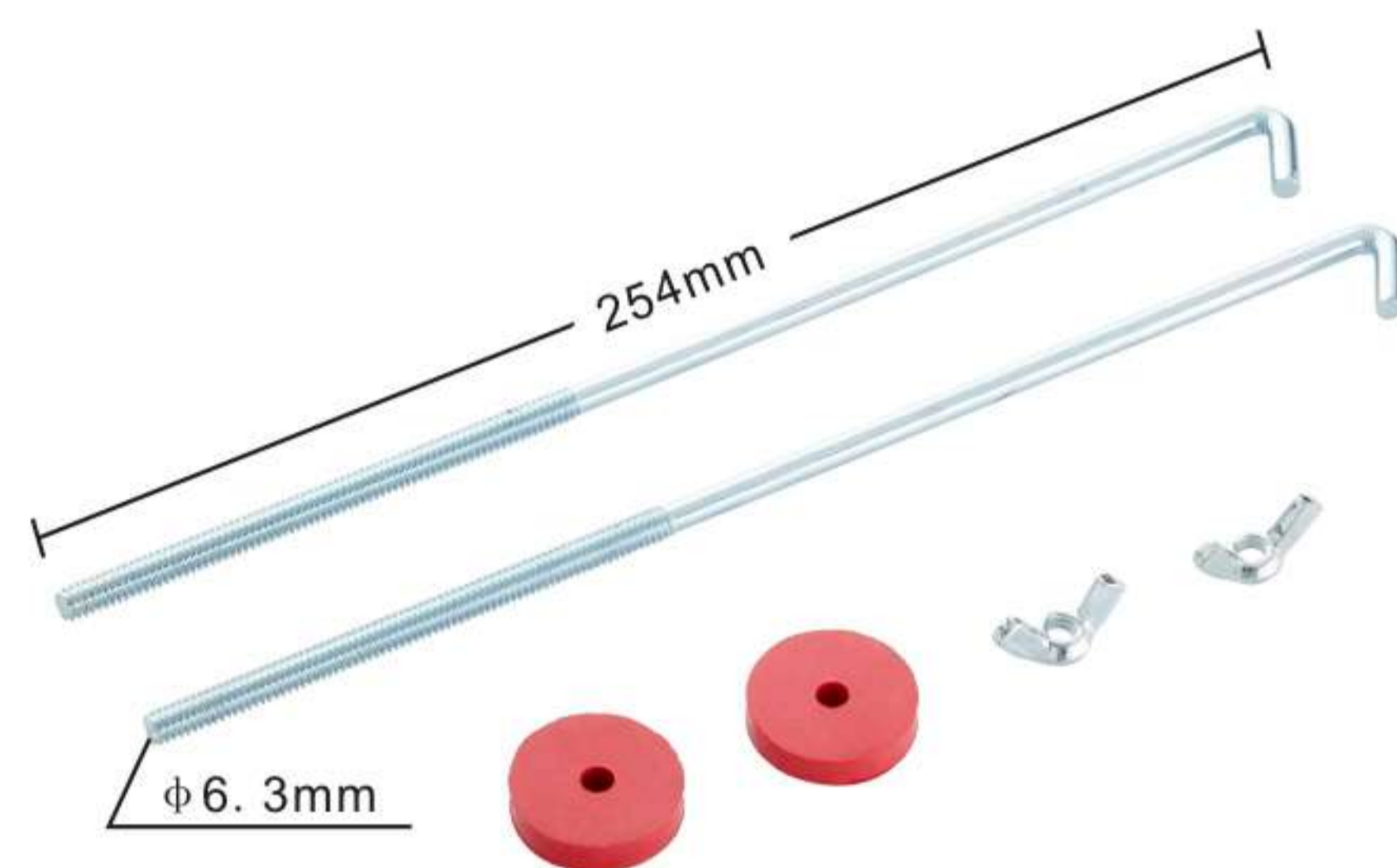
- A 2.5mm DC power jack must be fitted. A Plastic Jack is preferred.
- A 10A automotive style circuit breaker must be fitted



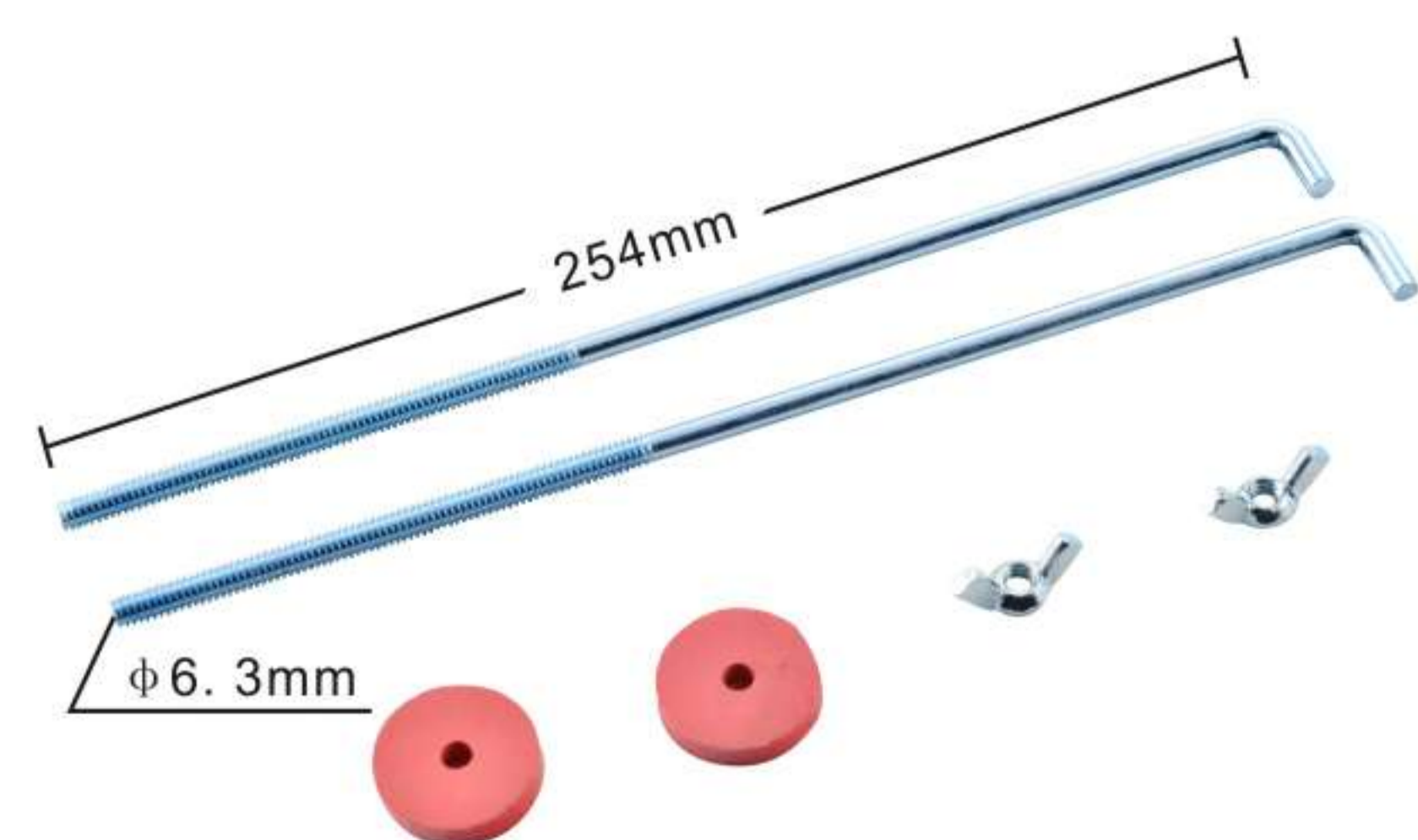
Battery Accessory
电瓶附件



BA810



BA811



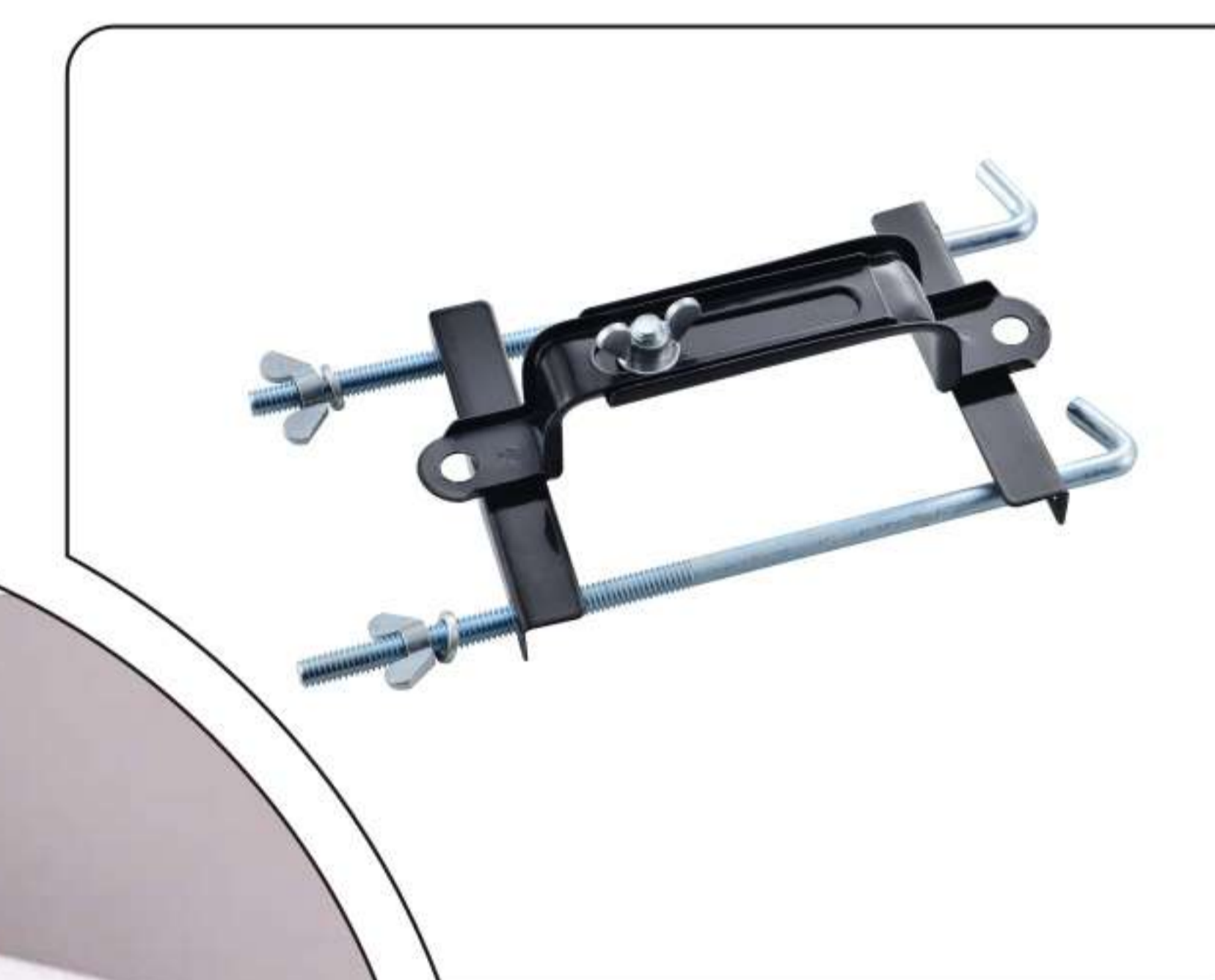
BA812



BA813



BA814



BA835



BA836



BA839



BA815



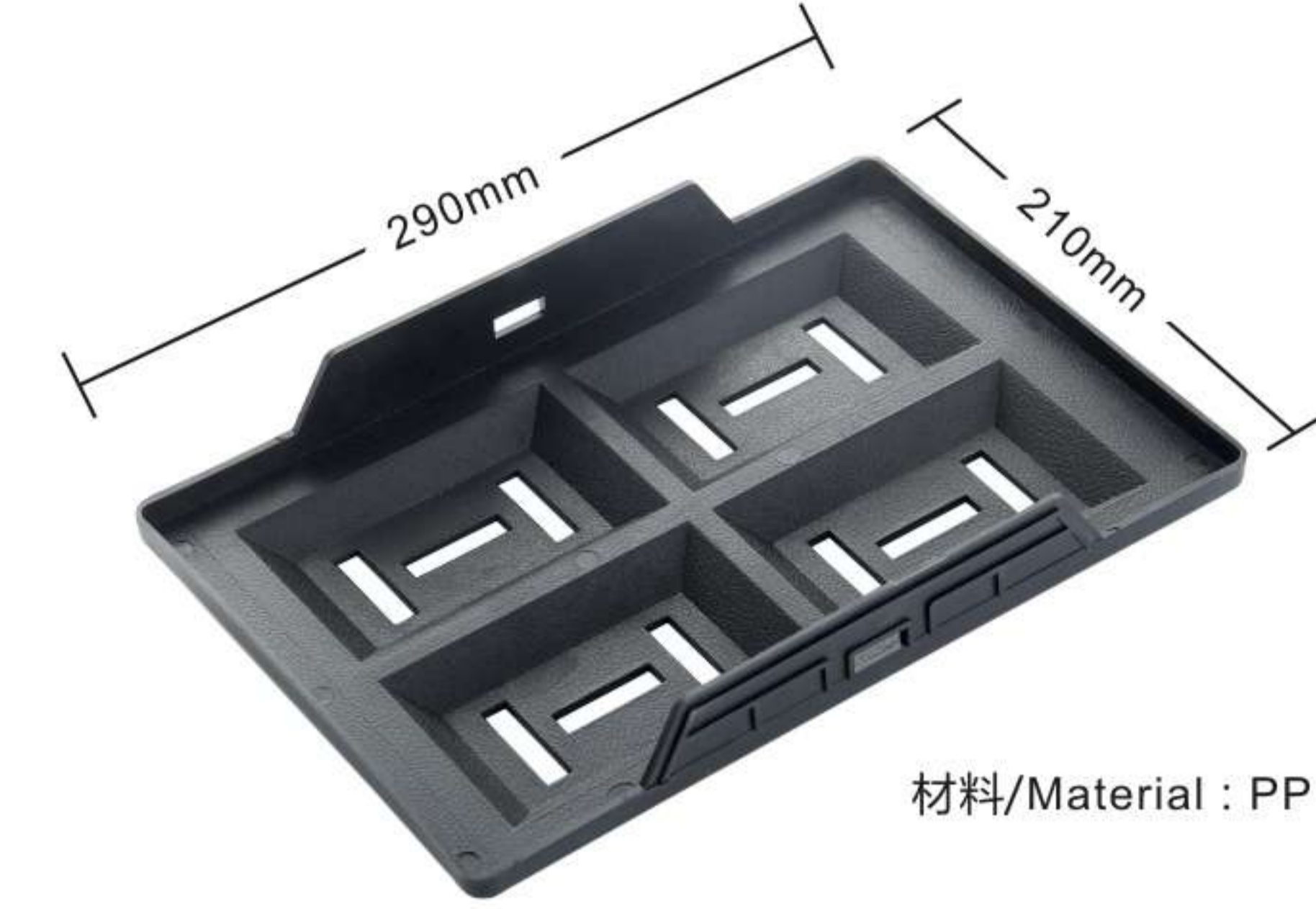
BA816



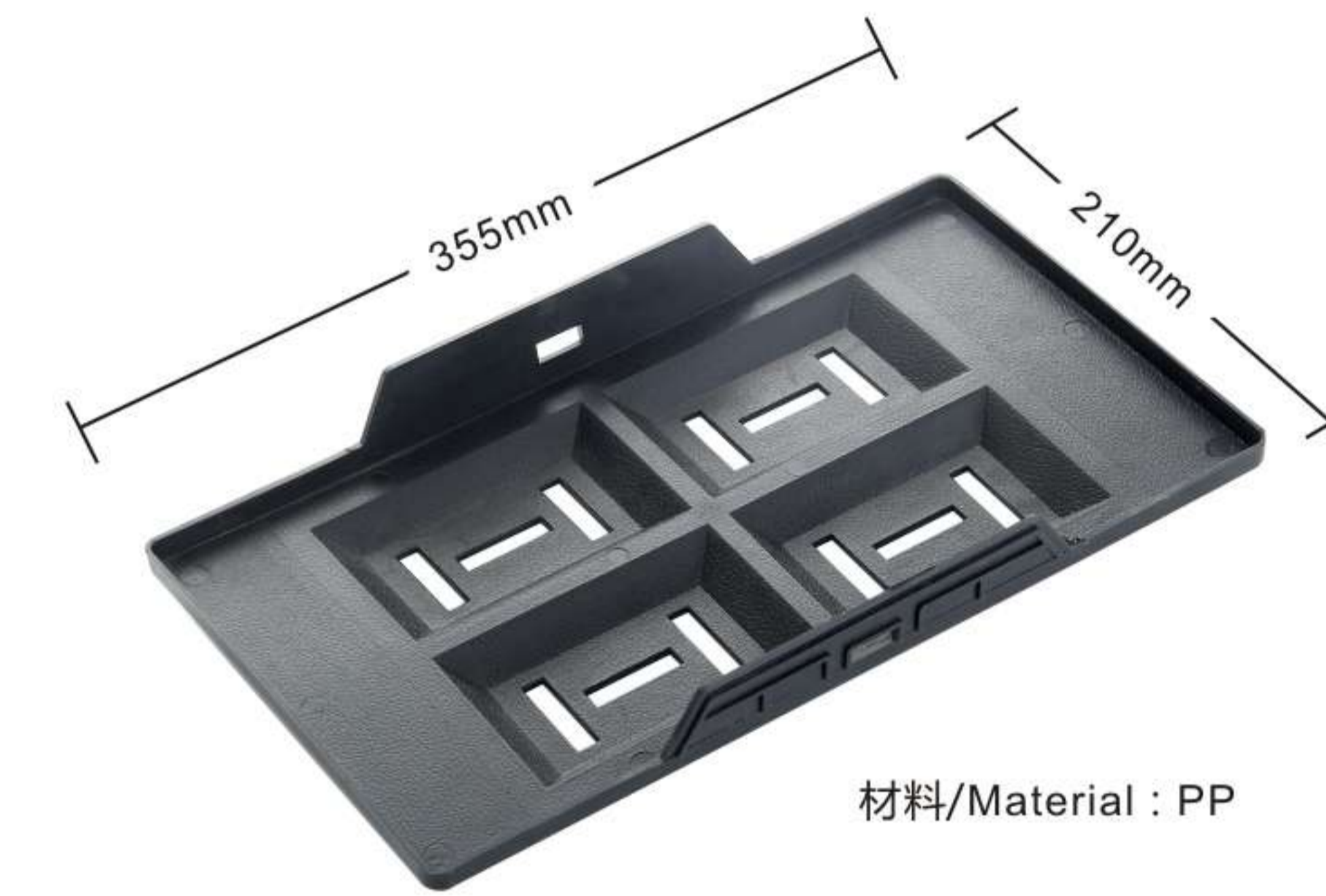
BA820



BA821



BA823



BA824



BA818



BA827



BA833



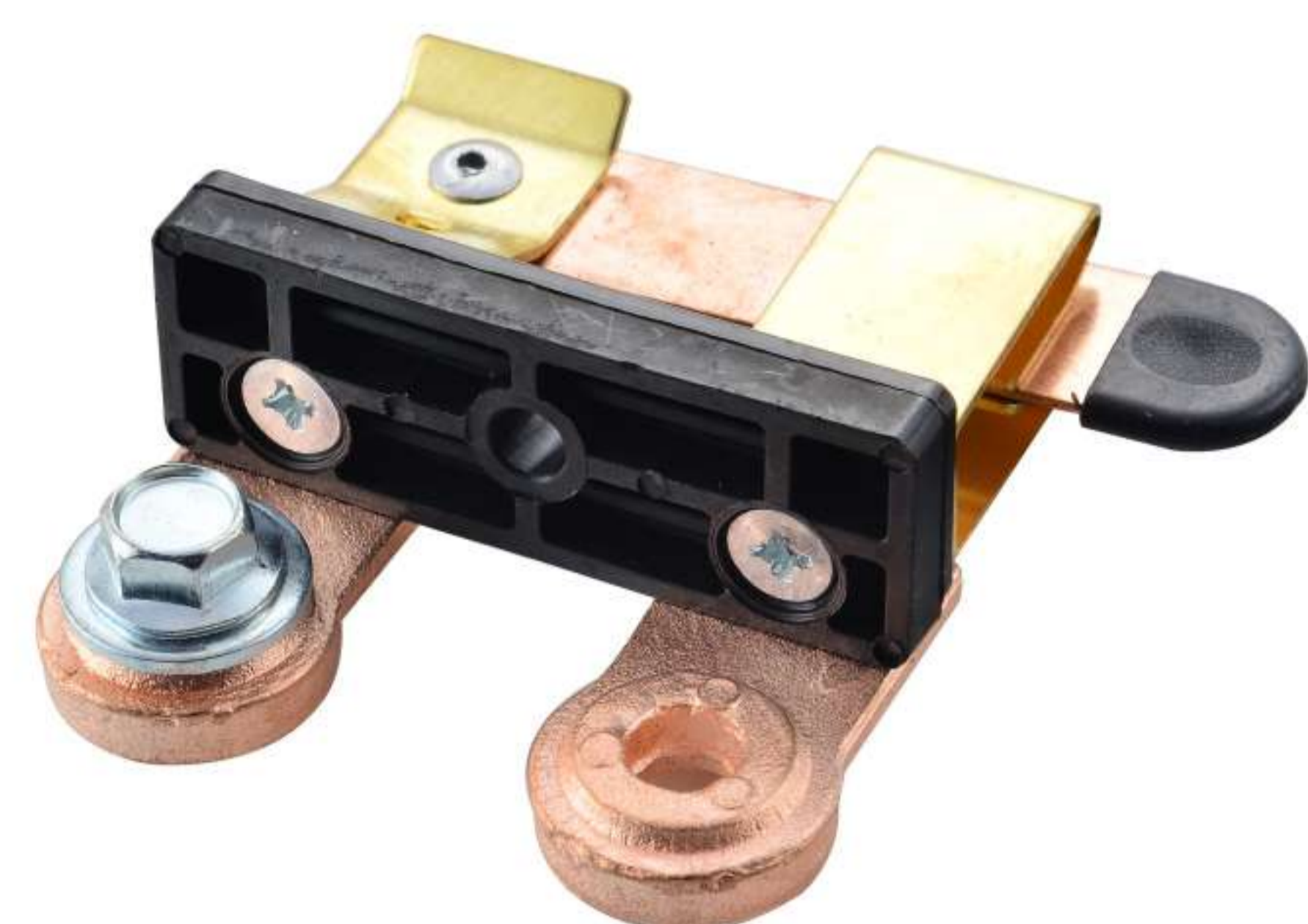
BA834

Battery Switch 电源开关 (高级)

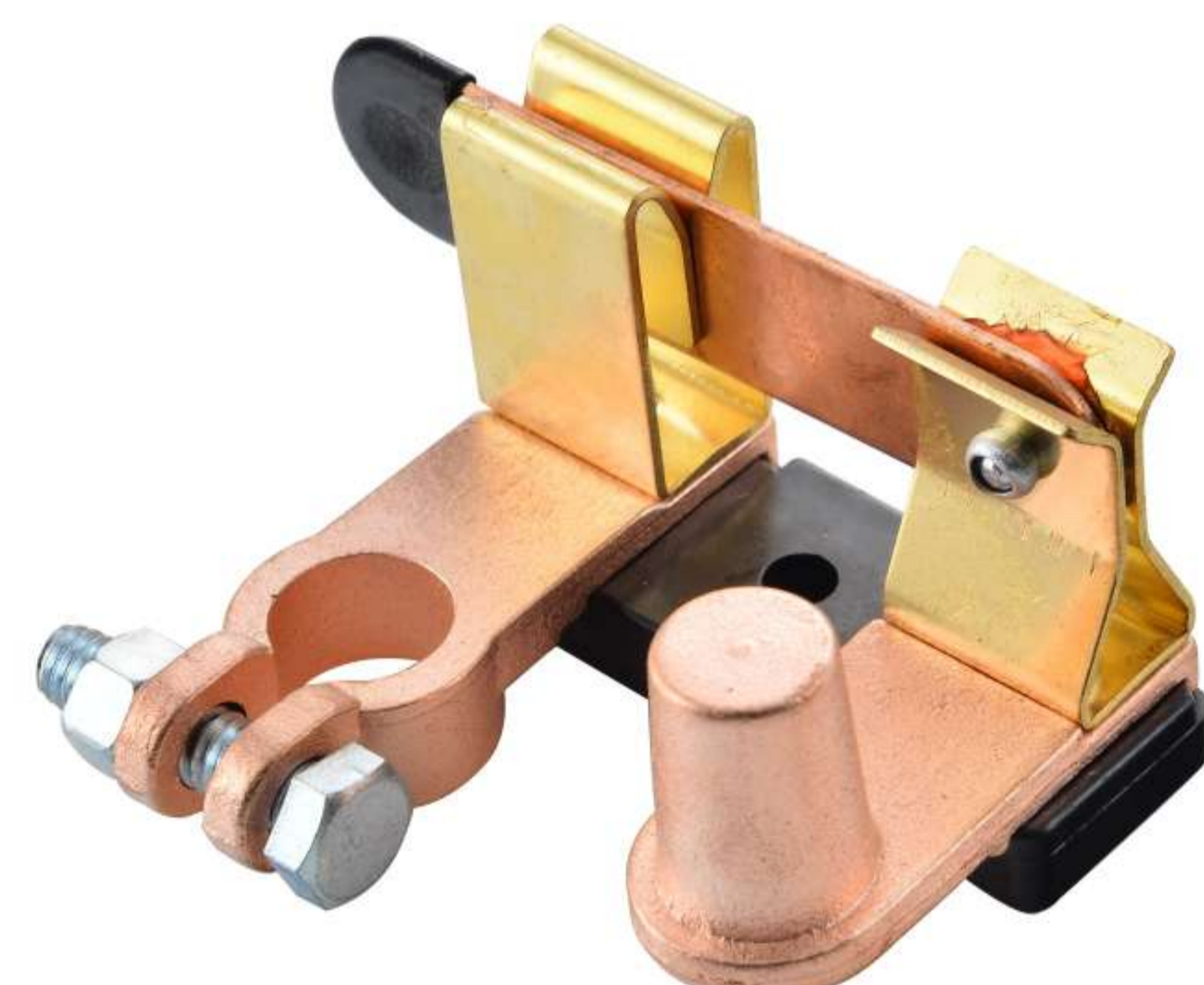
The BA833/BA834 Battery Switch fits top post Batteries.
BA833/BA834电源开关是适用于上面带正负极的蓄电池。

1. Manufactured of copper-zinc plated steel and brass.
1、由黄铜和镀黄铜钢制成。
2. Fits side post batteries with standard post adapters.
2、适用于“top”和“side”型(加一个装置器)的电瓶夹。
3. Attach to battery terminal by clamping down of the cap, lift cap to remove from battery terminal.
3、按下电源开通,拉起来电源断开。
4. RoHS Compliant, Fits 4 to 6 gauge wires.
4、环保认证,可接AWG4-6号线。





BA830



BA831



BA832

Knife-blade Switch 闸刀开关

The BA830/BA831/BA832 knife-blade switches. This range gives a very compact, versatile solution.

BA830/BA831/BA832是一款专门装配在操控板上的闸刀开关，有很多独一无二的性能：

1. Mount on negative battery post, Disconnect batteries quickly and easily.
- 1、装在负极蓄电池上，开和关非常简便。
2. Stop unwanted battery drain. Help prevent theft, tampering and unauthorized use.
- 2、防止不必要的跑电，以及避免未经允许的使用。
3. Improve safety and security of stored vehicles, RVs and seasonal equipment.
- 3、改善汽车，保证水上工具和家庭大型设备安全。



BT203



BT204



BT219



BT220

Main Technical Data/主要技术数据

型号 Part NO.	材料 Used name	螺栓处理 Bolt C.	适用电线 mm ²	尺寸 Size	备注 Note
BT203	H59	TIN	35-50	19	RoHS
BT204	H59	TIN	35-50	17.5	RoHS
BT219	H59	TIN	35-50	15	RoHS
BT220	H59	TIN	35-50	13	RoHS



Bt235



BT236



BT239



BT240

Main Technical Data/主要技术数据

型号 Part NO.	材料 Used name	螺栓处理 Bolt C.	适用电线 mm ²	尺寸 Size	备注 Note
BT235	H59	TIN	35-90	19	RoHS
BT236	H59	TIN	35-90	17.5	RoHS
BT239	H59	TIN	35-90	19	RoHS
BT240	H59	TIN	35-90	17.5	RoHS