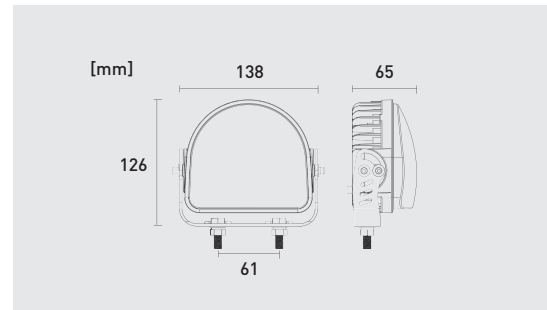


CM-7009D ARC FORKLIFT LIGHT, SAFETY LIGHT

IP67 & IP69K | ECE R10 | CE | RoHS | High Luminance Chip

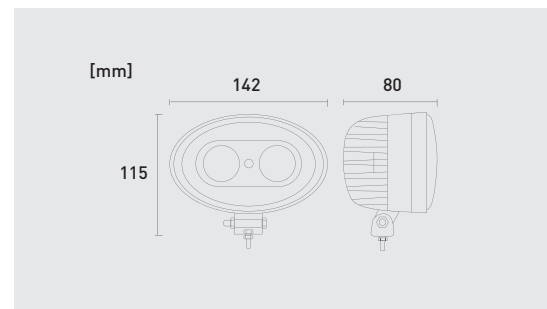


Item No.	Beam Pattern	Wattage	LED CHIP	LED Quantity	LED Color
CM-7009D	Arc Light	24W	SMD	8Pcs	● ●

- Voltage: 10-80V - Housing Material: Aluminum - Bracket Material: Stainless Steel

CM-7008 LED FORKLIFT LIGHT, BLUE SPOT LIGHT

IP67 & IP69K | ECE R10 | CE | RoHS | High Luminance Chip

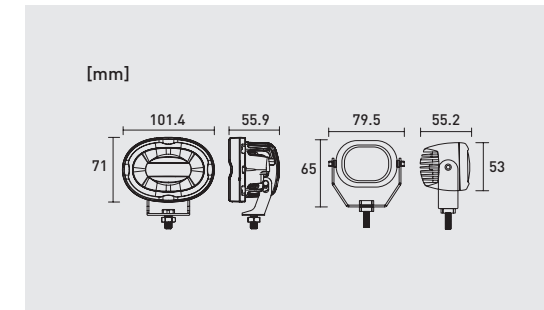


Item No.	Beam Pattern	Wattage	LED CHIP	LED Quantity	LED Color
CM-7008	Spot	8W	SMD	2Pcs	● ●

- Voltage: 10-80V - Housing Material: Aluminum - Bracket Material: Stainless Steel

CM-9016/9016B LED FORKLIFT LIGHT, LINEAR LIGHT

IP67 & IP69K | ECE R10 | CE | RoHS | High Luminance Chip

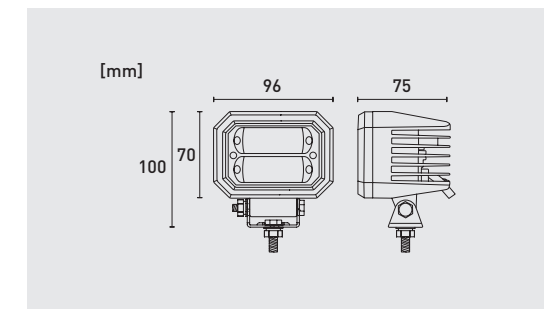


Item No.	Beam Pattern	Wattage	LED CHIP	LED Quantity	LED Color
CM-9016	Linear light	9W	SMD	3Pcs	● ●
CM-9016B	Linear light	6W	SMD	1Pcs	● ●

- Voltage: 10-80V - Housing Material: Aluminum - Bracket Material: Stainless Steel

CM-9016 PLUS LED FORKLIFT LIGHT, LINEAR LIGHT

IP67 & IP69K | ECE R10 | CE | RoHS | High Luminance Chip



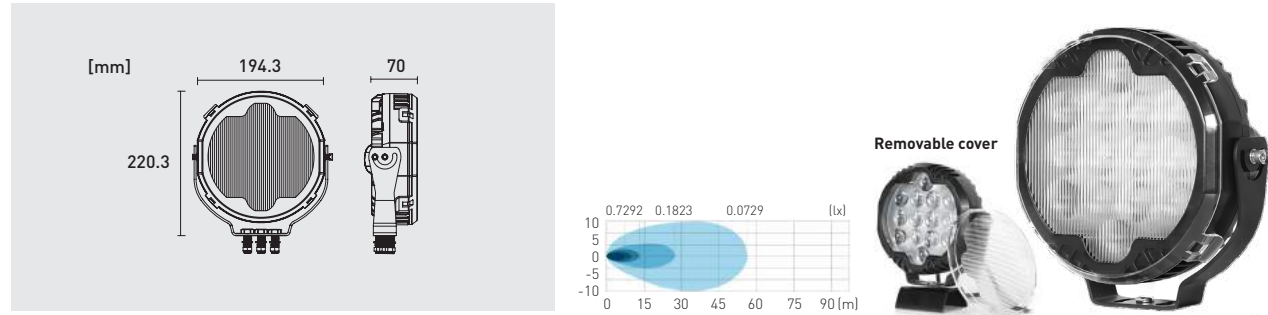
Item No.	Beam Pattern	Wattage	LED CHIP	LED Quantity	LED Color
CM-9016 PLUS	Linear light	18W	SMD	6Pcs	● ●

- Voltage: 10-80V - Housing Material: Aluminum - Bracket Material: Stainless Steel

YTK CO.,LTD.
Http://www.ytk-group.co.jp

CM-CT001 SAFETY LIGHT

IP67 & IP69K | ECE R10 | CE | RoHS | High Luminance Chip

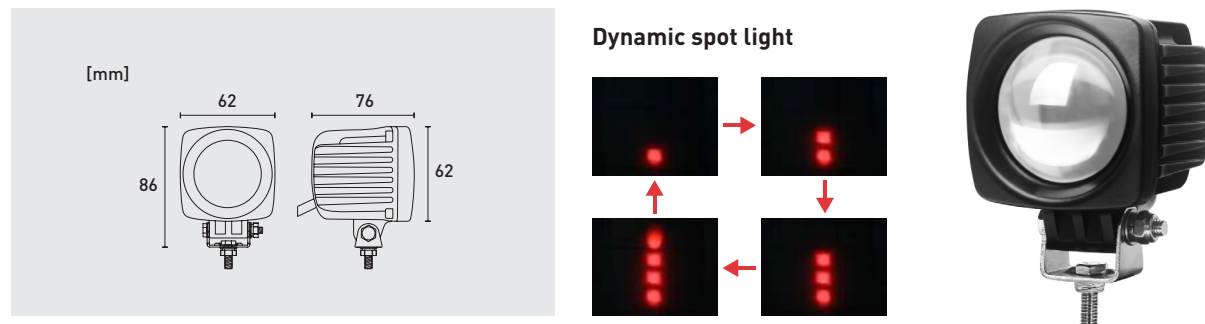


Item No.	Wattage	LED CHIP	LED Quantity	Effective Lumen	Raw Lumen	LED Color
CM-CT001 SPOT BEAM	75W	SMD	14Pcs	1350LM	2000LM	● ●
CM-CT001 WITH COVER LINEAR LIGHT	75W	SMD	14Pcs	1350LM	2000LM	● ●

- Voltage: 10-30V - Housing Material: Aluminum - Bracket Material: Stainless Steel

CM-9016D LED FORKLIFT LIGHT

IP67 & IP69K | ECE R10 | CE | RoHS | OSRAM | High Luminance Chip

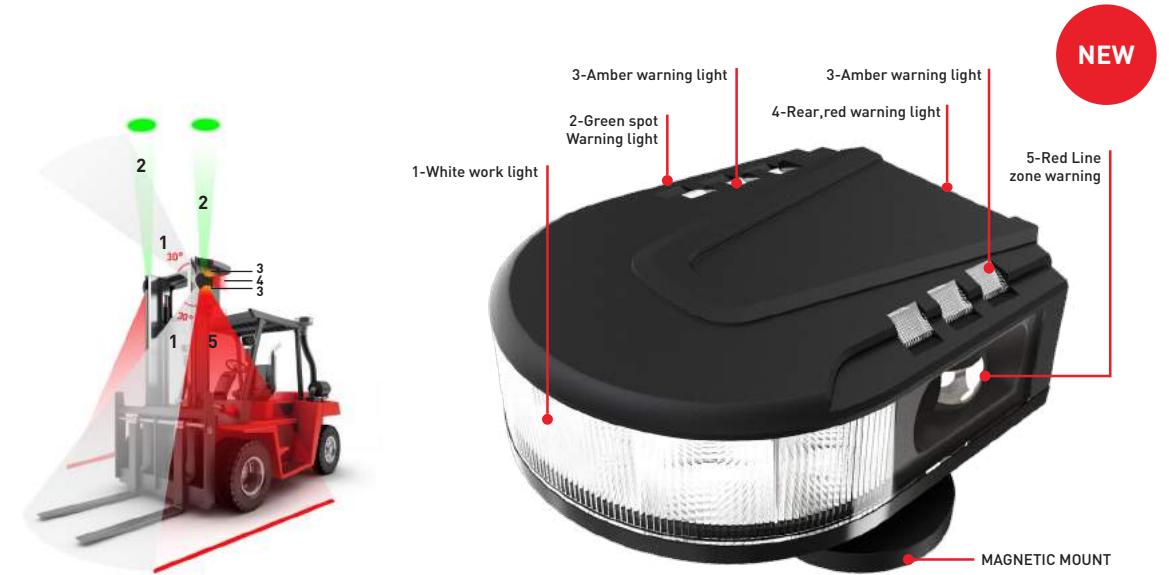


Item No.	Beam Pattern	Wattage	LED CHIP	LED Quantity	LED Color
CM-9016D	Spot	12W	OSRAM	4Pcs	● ●

- Voltage: 10-100V - Lens Material: PC

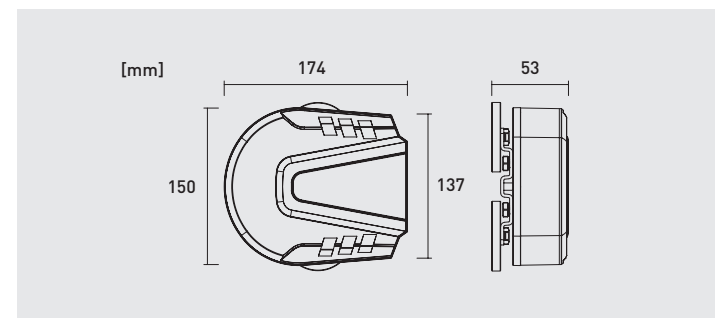
CM-7007 MUITFUNCTION FORKLIFT SAFE LIGHT

ECE R10 | High Luminance Chip
CE | IP67 & IP69K
RoHS

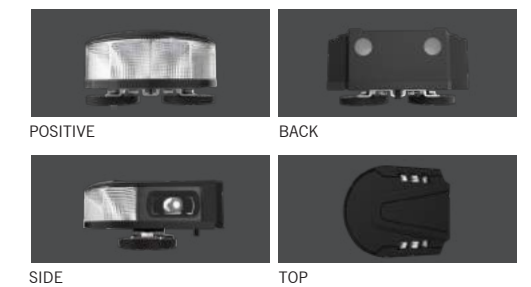


Item No.	Beam Pattern	Wattage	LED CHIP	LED Quantity	Effective Lumen	LED Color
CM-7007	White work light	10.5W	SMD	6Pcs	748LM	○
	Green spot warning light	5.5W	SMD	1Pcs	—	●
	Amber warning light	1.5W	SMD	6Pcs	—	●
	Rear, red warning light	1W	SMD	2Pcs	—	●
	Red line zone warning	6.5W	SMD	3Pcs	—	●

- Voltage: 10-80V - Housing Material: Aluminum - Lens Material: PC



PRODUCT DISPLAY



YTK CO.,LTD.
Http://www.ytk-group.co.jp



CM-3003C-4/3003C-8
MINI RGB ROCK LIGHT

ECE R10

High Luminance Chip

- RGB 16 MILLION COLORS

CE

IP67 & IP69K

- APP CONTROL

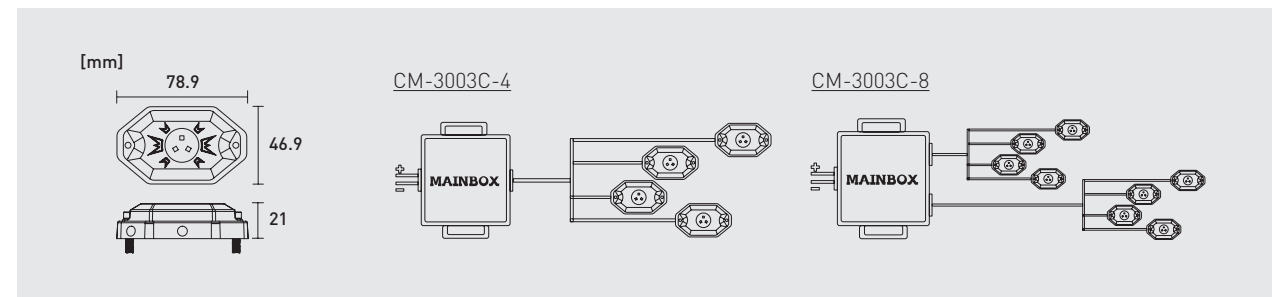
- MUSIC MODE

RoHS



Item No.	Wattage	LED CHIP	LED Quantity	Unit
CM-3003C-4	9*4W	SMD	3*4Pcs	4 Lights/set
CM-3003C-8	9*8W	SMD	3*8Pcs	8 Lights/set

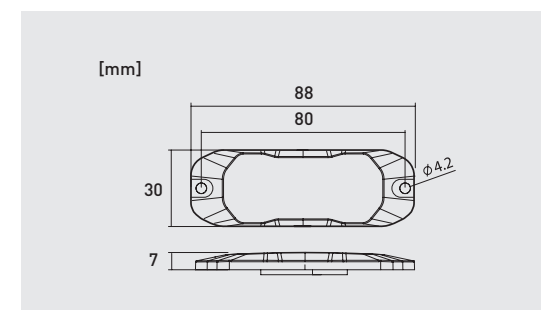
- Voltage: 10-30V - Housing Material: Aluminum - Bracket Material: Stainless Steel





Z-W03 EXTREMELY SLIM STROBE WARNING LIGHT

IP67 & IP69K | ECE R65 R10 | SAE J595 | CE | RoHS | High Luminance Chip

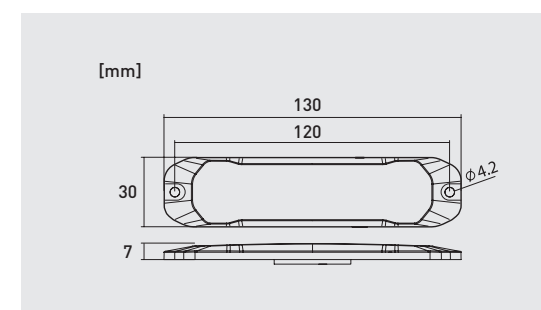


Item No.	Wattage	Modes	LED CHIP	LED Quantity	LED color
Z-W03	8W	4 modes flash	SMD	3Pcs	●●●

- Voltage: 12-24V - Lens Material: PC

Z-W04 EXTREMELY SLIM STROBE WARNING LIGHT

IP67 & IP69K | ECE R65 R10 | SAE J595 | CE | RoHS | High Luminance Chip

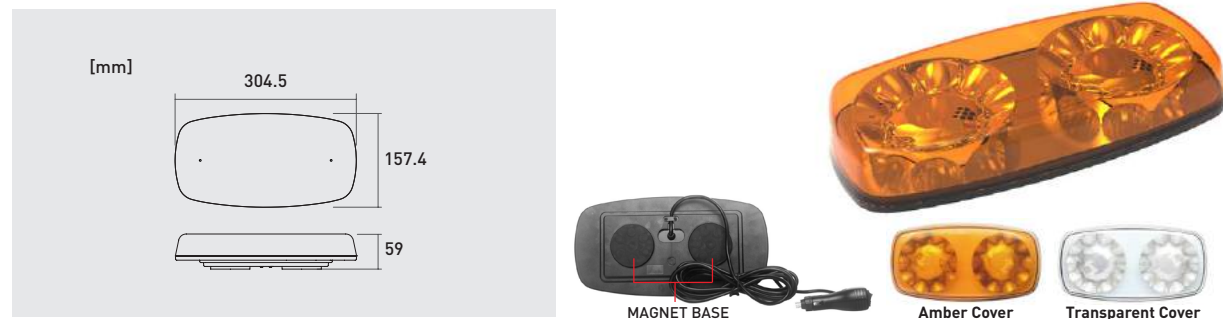


Item No.	Wattage	Modes	LED CHIP	LED Quantity	LED color
Z-W04	10W	8 modes flash	SMD	6Pcs	●●●●●●

- Voltage: 12-24V - Lens Material: PC

Z-W12D MAGNETIC MINI WARNING BAR

IP67 & IP69K | ECE R65 R10 | SAE J595 | CE | RoHS | High Luminance Chip | Magnetic



Item No.	Wattage	Modes	LED CHIP	LED Quantity	LED color
Z-W12D	35W	3 modes flash + 4 modes rotation	SMD	20Pcs	● ● ●

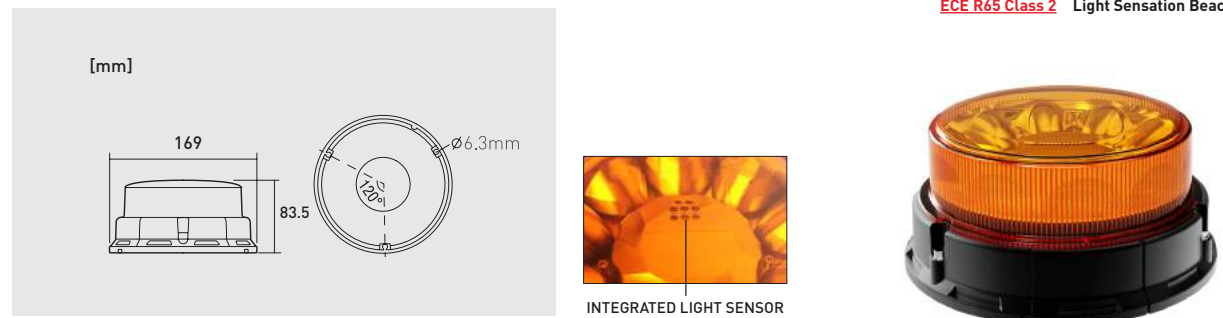
- Voltage: 12-24V - Lens Material: PC

Z-W13S UPGRADE BIG SIZE LED BEACON

IP67 & IP69K | ECE R65 R10 | SAE J595 | CE | RoHS | High Luminance Chip



ECE R65 Class 2 Light Sensation Beacon



Item No.	Wattage	Modes	LED CHIP	LED Quantity	LED color
Z-W13S	70W	5 modes flash + 2 modes rotation	SMD	20Pcs	● ● ●

- Voltage: 12-24V - Lens Material: PC

Z-W15S/W15P LED DUAL ROW BEACON

ECE R65 R10

SAE J845

CISPR 25

CE

High Luminance Chip

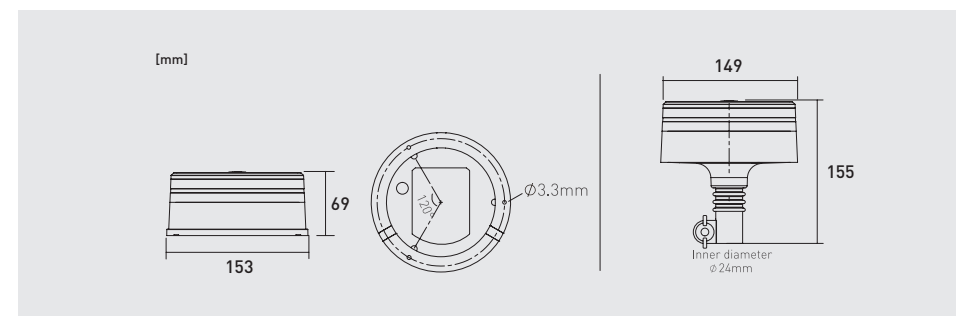
IP67 & IP69K

RoHS



Item No.	Wattage	Modes	LED CHIP	LED Quantity	LED color
Z-W15S	25W	3 modes flash + 4 modes rotation	SMD	50Pcs	● ● ●
Z-W15P	25W	3 modes flash + 4 modes rotation	SMD	50Pcs	● ● ●

- Voltage: 12-24V - Lens Material: PC



LIGHTING



Z-W09B(Battery only) / Z-W09R(Battery and remote control)
Magnetic Rechargeable Warning Lamp

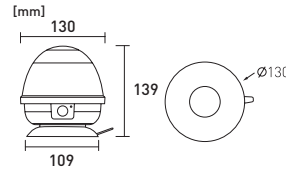


Item No.	Z-W09B / Z-W09R
Input Voltage	12-24V
Power Consumption (W)	18
Current / Voltage	0.75A @ 24V
SMD	3535
LED Q'TY (PCS)	10
LED color	● ● ●
Modes	3 modes flash+4 modes rotation
Compliance	SAE J845 ECE R65 R10

Charging time
About 3.5H

Discharging time
About 5H

Charging interface	DC 5.5/2.1
Electric core	Double section 18650 lithium ion
Capacity	7.4V 2600mAh
Charging voltage	12V/24V
Charging current	700mA(12V)/350mA(24V)
Charging time	About 3.5H
Discharging time	About 5H

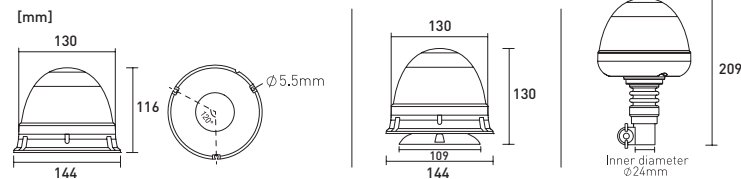


When using the beacon on the road, please be sure to connect the vehicle power supply. When running on battery, it applies only in cases of emergency.
 R65 compliance only when plug into power.

Z-W09S / Z-W09M / Z-W09P
LED Warning Lamp



Item No.	Z-W09S	Z-W09M	Z-W09P
Power Consumption (W)	18	25	25
Current / Voltage	0.75A @ 24V	1.04A @ 24V	1.04A @ 24V
LED Q'TY (PCS)	20	10	10
SMD	3030	3535	3535
Input Voltage	12-24V		
LED color	● ● ●		
Modes	3 modes flash+4 modes rotation		
Compliance	SAE J845 ECE R65 R10		



Z-W16B(Battery only) / Z-W16R(Battery and remote control)
Magnetic Rechargeable Warning Lamp

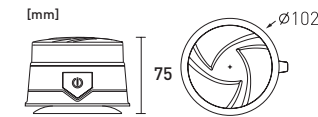


Item No.	Z-W16B / Z-W16R
Input Voltage	12-24V
Power Consumption (W)	14
Current / Voltage	0.58A @ 24V
SMD	3030
LED Q'TY (PCS)	30
LED color	● ● ●
Modes	3 modes flash+4 modes rotation
Compliance	CISPR 25 SAE J845 ECE R65 R10

Charging time
About 4H

Discharging time
About 6.5H

Charging interface	DC 5.5/2.1
Electric core	Double section 18650 lithium ion
Capacity	7.4V 2600mAh
Charging voltage	12V/24V
Charging current	700mA(12V)/350mA(24V)
Charging time	About 4H
Discharging time	About 6.5H



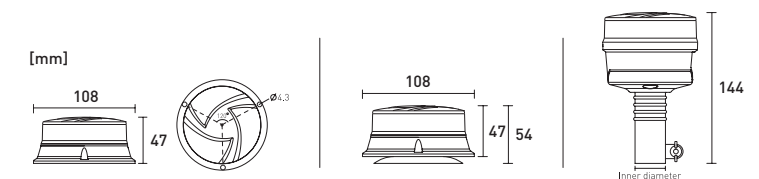
When using the beacon on the road, please be sure to connect the vehicle power supply. When running on battery, it applies only in cases of emergency.
 R65 compliance only when plug into power.



Z-W16S / Z-W16M / Z-W16P
LED Warning Lamp



Item No.	Z-W16S / W16M / W16P
Power Consumption (W)	19
Current / Voltage	0.79A @ 24V
LED Q'TY (PCS)	30
SMD	3030
Input Voltage	12V/24V
LED color	● ● ●
Modes	3 modes flash+4 modes rotation
Compliance	CISPR 25 SAE J845 ECE R65 R10



REMOTE CONTROL WIRE HARNESS



REMOTE CONTROL FOR ONE LIGHT



REMOTE CONTROL FOR TWO LIGHTS

CONNTCTOR

- Remote control blitz flash car LED light wire group, including one or two pcs of LED light, mainly used in automotive work lights, driving light, light bar, fog lights.
- If Control of two outputs , you can achieve two lights at the same time on or off , or one of the lights on or off , or two lights flashing , lights alternately , and in any of the previous state of a variety of strobe mode.
- 12V / 24V universal , wider application range.
- High-frequency wireless remote control lights switch , the operation more convenient.
- A variety of flash mode (slow flash / fast flash) for your selection, in flashing mode can remind othervehicles, so that driving safer
- Super remote distance , remote control distance of 100M , easy to find cars in the parking lot

REGULAR SWITCH CONTROL WIRE HARNESS



CONTROL FOR ONE LIGHT



CONTROL FOR TWO LIGHTS

CONNTCTOR

- 12V / 24V universal , wider application range

LED HEAD LIGHT

DOT | ECE R10 | CE | RoHS | IP67 & IP69K



CM-HPC1001: PASSENGER SIDE
CM-HDC1001: DRIVER SIDE



CM-HPC1002: PASSENGER SIDE
CM-HDC1002: DRIVER SIDE



CM-HPC1006: PASSENGER SIDE
CM-HDC1006: DRIVER SIDE



CM-5059-7



CM-7104

LED FORKLIFT SAFETY LIGHT

ECE R10 | CE | RoHS | IP67 & IP69K



CM-7009D



CM-7008



CM-9016



CM-9016 PLUS



CM-9016B



CM-9016D



CM-CT001



CM-7007

YTK CO.,LTD.
Http://www.ytk-group.co.jp

LED LIGHT BAR

ECE R112 R7 R10 | CE | RoHS | IP67 & IP69K



CM-55 SERIES



CM-58 SERIES



CM-33 SERIES



CM-6054B



CM-1030/CM-1060



CM-5030PR



CM-5018Z



CM-5008



CM-5007

LED AGRICULTURE WORK LIGHT

ECE R10 | CE | RoHS | IP67 & IP69K



CM-2020R



CM-2035R



CM-2035S



CM-2090S



CM-2020S



CM-2035R PLUS



CM-2035S PLUS



CM-2090S PLUS



CM-2011W



CM-2046



CM-7882



CM-7883



CM-6048



CM-3036



CM-5353



CM-5353

LED WORK LIGHT

ECE R10 | CE | RoHS | IP67 & IP69K



CM-6009-V3



CM-6008PLUS



CM-1018



CM-2018



CM-9036/9036A



CM-5918A



CM-9045



CM-9046



CM-5020F



CM-5020C



CM-5027



CM-5148



CM-5027B



CM-5025



CM-5139



CM-5139F

LED WORK LIGHT

ECE R10 | CE | RoHS | IP67 & IP69K



CM-3020L



CM-3040L



CM-3020



CM-3040



CM-5019



CM-5019L



CM-5018D



CM-5021D



CM-5013



CM-5013



CM-5004



CM-5004



CM-5014



CM-5014



CM-2009

LED DRIVING LIGHT

ECE R112 R7 R10 | CE | RoHS | IP67 & IP69K



CM-7880S



CM-7880C



CM-7880DM



CM-9070



CM-9024



CM-9060



CM-90120



CM-5064



CM-5064 Plus



CM-P8



CM-50130

LED ROCK LIGHT

ECE R10 | CE | RoHS | IP67 & IP69K



CM-3003C-4



CM-3003C-8

LED WARNING LAMP

SAE J845 | ECE R65 R10 | CE | RoHS | IP67 & IP69K



Z-W03



Z-W04



Z-W12D



Z-W13S



Z-W09S



Z-W09M



Z-W09B/Z-W09R



Z-W09P



Z-W16S



Z-W16M



Z-W16B/Z-W16R



Z-W16P



Z-W15S



Z-W15P