

CM-HPC1001/HPC1002/HDC1001/HDC1002
LED PROJECTOR HEADLIGHT ASSEMBLIES



ECE R10	DOT SAE	High Luminance Chip
CE	FMVSS 108	IP66
RoHS	CISPR 25	



CM-HPC1001: PASSENGER SIDE / CM-HDC1001: DRIVER SIDE



CM-HPC1002: PASSENGER SIDE / CM-HDC1002: DRIVER SIDE

DESIGNED TO FIT:

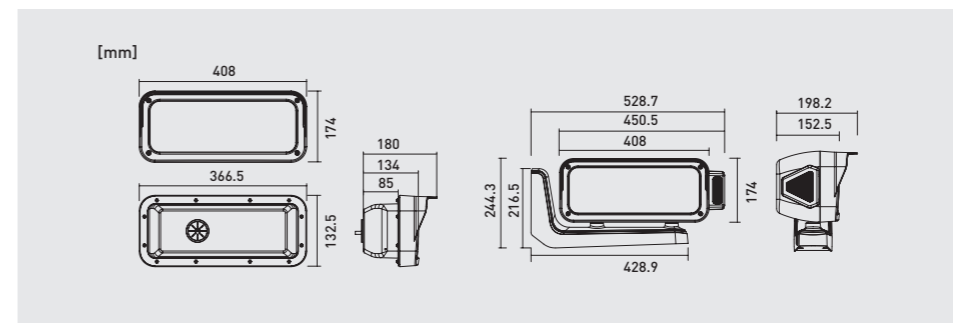
PETERBILT	KENWORTH	FREIGHTLINER	WESTERN STAR
379 1987-2007	W900 1984+	CLASSIC 1988-2007	6900 Series
378 1988-2007	T800 1987+		4900 Series
365 2008-2009	T600 1986-2007		4800 Series
357 1986-2008			

DESIGNED TO FIT:

PETERBILT	
379 1987-2007	359 1987-2007
378 1988-2007	367 1988-2007
365 2008-2009	389 2008-2009
357 1986-2008	567 1986-2008

Item No.	Beam Pattern	Wattage	LED CHIP	LED Quantity	Lumen	LED Color
CM-HPC1001: PASSENGER SIDE CM-HDC1001: DRIVER SIDE CM-HPC1002: PASSENGER SIDE CM-HDC1002: DRIVER SIDE	High Beam	35W	HGL3	6Pcs	2750LM	○
	Low Beam	18W	HGL3	3Pcs	1300LM	○
	Amber Turning	5W	2835	88Pcs	70LM	●
	Position Light	8W	2835	52Pcs	350LM	○

- Voltage: 10-30V - Housing Material: Aluminum - Bracket Material: Stainless Steel



CM-HPC1006/CM-HDC1006 LED PROJECTOR HEADLIGHT ASSEMBLIES



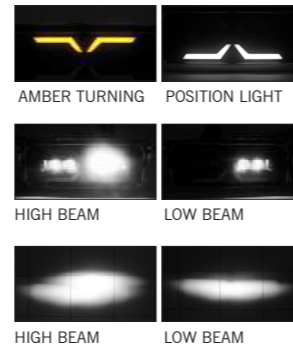
- ECE R10
- High Luminance Chip
- CE
- IP66
- RoHS

DESIGNED TO FIT:

PETERBILT	KENWORTH	FREIGHTLINER	WESTERN STAR
379 1987-2007	W900 1984+	CLASSIC 1988-2007	6900 Series
378 1988-2007	T800 1987+		4900 Series
365 2008-2009	T600 1986-2007		4800 Series
357 1986-2008			

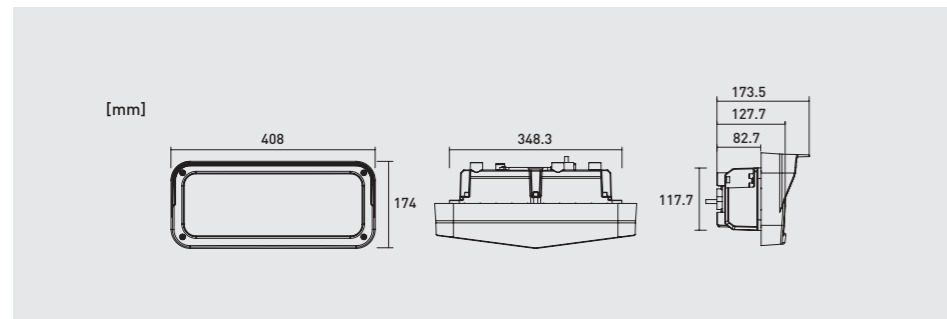


CM-HPC1006: PASSENGER SIDE / CM-HDC1006: DRIVER SIDE



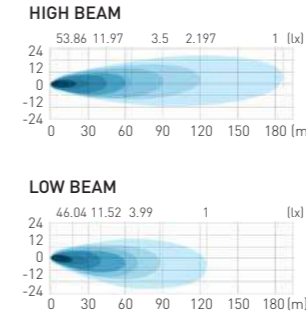
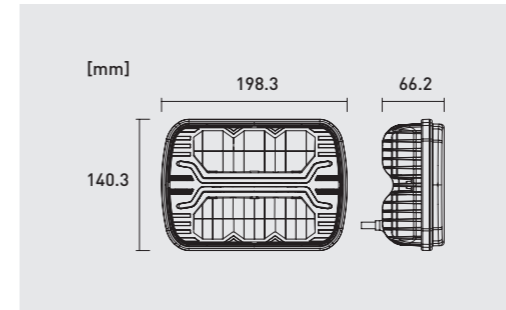
Item No.	Beam Pattern	Wattage	LED CHIP	LED Quantity	Lumen	LED Color
CM-HPC1006: PASSENGER SIDE CM-HDC1006: DRIVER SIDE	High Beam	30W	HGL3	4Pcs	2500LM	○
	Low Beam	15W	HGL3	2Pcs	1000LM	○
	Amber Turning	4W	2835	24Pcs	30LM	●
	Position Light	4W	2835	24Pcs	250LM	○

- Voltage: 10-30V - Housing Material: Aluminum - Bracket Material: Stainless Steel



CM-5059-7 LED HEADLIGHT, PLUG AND PLAY

- IP67 & IP69K
- ECE R10
- DOT SAE
- CE
- RoHS
- High Luminance Chip

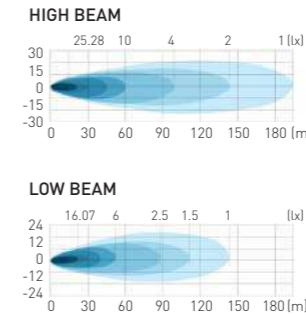
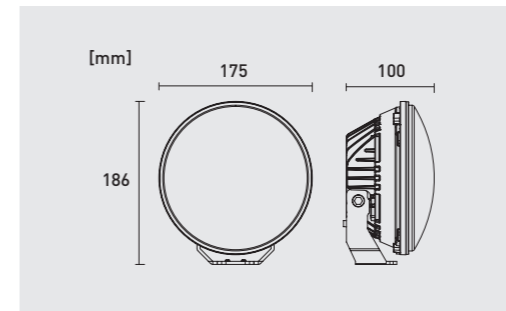


Item No.	Beam Pattern	Wattage	LED CHIP	LED Quantity	Effective Lumen	Raw Lumen
CM-5059-7	High Beam	36W	HGL3	6Pcs	2300LM	3000LM
	Low Beam	18W	HGL3	3Pcs	1150LM	1500LM
	Position Light	2.7W/5.5W	2835	12Pcs	40LM	50LM

- Voltage: 10-30V - Housing Material: Aluminum - Bracket Material: Stainless Steel

CM-7104 LED ROUND HEADLIGHT, PLUG AND PLAY

- IP67 & IP69K
- ECE R10
- DOT SAE
- CE
- RoHS
- High Luminance Chip



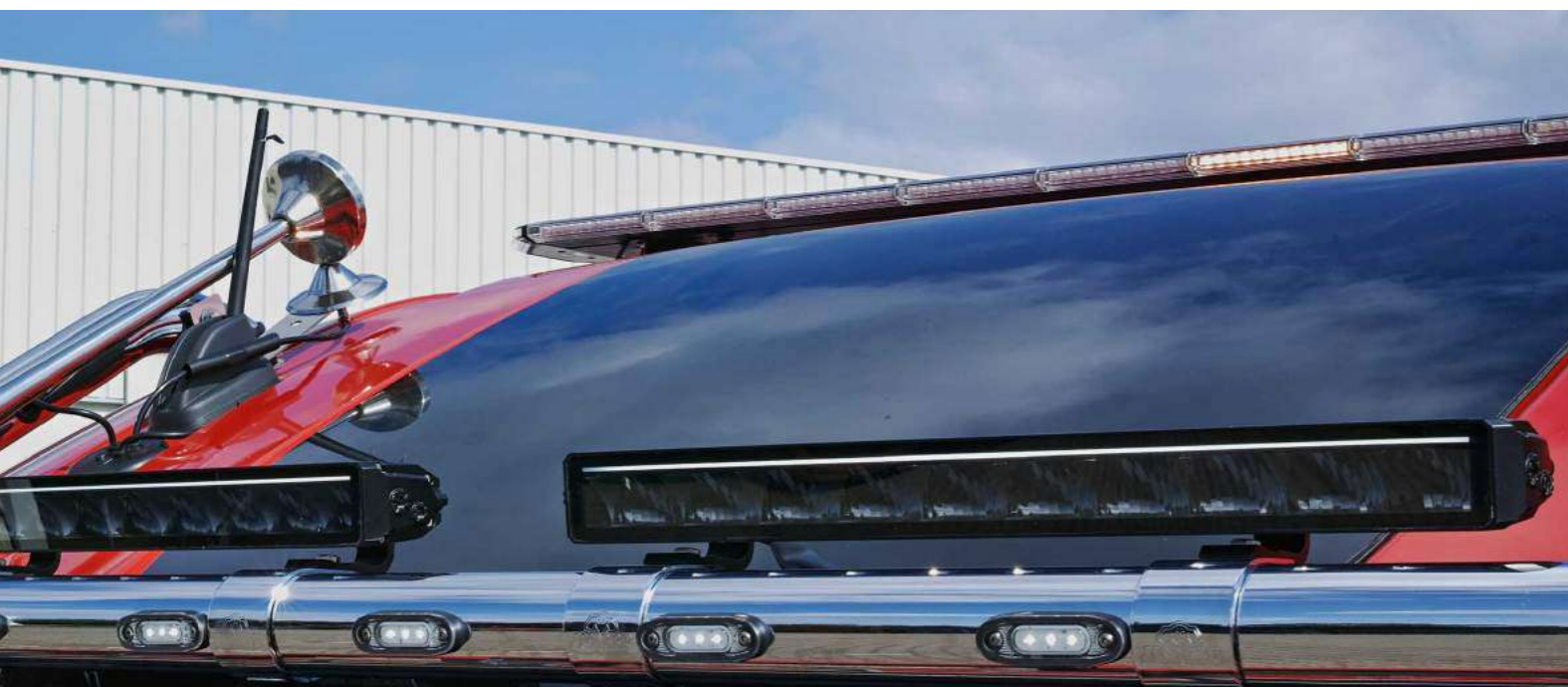
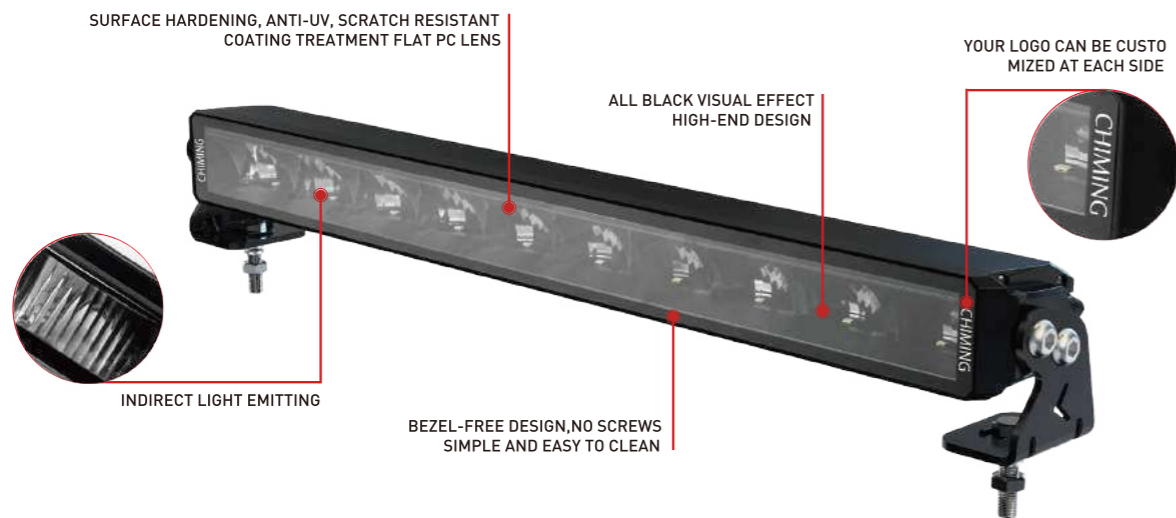
Item No.	Beam Pattern	Wattage	LED CHIP	LED Quantity	Effective Lumen	Raw Lumen
CM-7104	High Beam	41W	HFL3	6Pcs	1500LM	1960LM
	Low Beam	22W	HGL4	3Pcs	540LM	700LM
	Position Light	6W	3030	12Pcs	60LM	75LM

- Voltage: 10-30V - Housing Material: Aluminum - Bracket Material: Stainless Steel

INNOVATION BEZEL-LESS LIGHT BAR AND WORK LIGHT RANGE

Let us tell you how special they are:

- Bezel less design , all black look from front view , give your fresh visual, high-end quality .
- Indirect light emitting, different from regular reflector in the market ,high efficient light reflect. But chrome reflector and transparent cover lens ,Minimize the loss of light efficiency .
- All black coated of housing , bracket and even breather .
- None of any screws , innovation look , clean view , easy to clean dust ,Less wind resistance , more fuel saving
- Bezel less anti-UV,surface hardening, Scratch resistant coating treatment flat PC lens
- Built with temperature control system, Over-heated protected to ensure a high power ,using high-performance chips
- Mult-installation of side and back bracket , free adjustment of back bracket to suitable different mount position .
- A set of DEUTSCH CONNECTOR , plug and play .
- IP67 Water proof rate .
- ECE compliant



CM-58 SERIES

NEW INNOVATION BEZEL-LESS DESIGN SINGLE ROW LIGHT BAR WITH POSITION LIGHT

- ECE R112 R7 R10**
- Over-heated Protected**
- High Luminance Chip**
- IP67 & IP69K**
- RoHS**

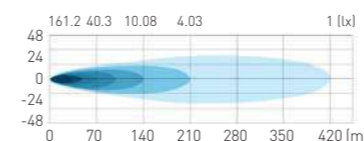
NEW



POSITION LIGHT

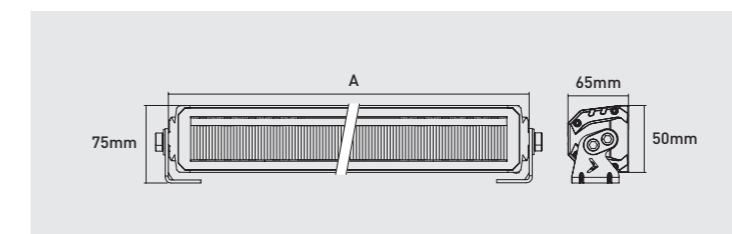


CM-5822 (22inch)



Item No.	Beam Pattern	Wattage	LED CHIP	LED Quantity	Effective Lumen
CM-5812 ECE R112 R7	Driving beam (ECE R112)	40W	SMD	6Pcs	4500LM
	White position light (ECE R7)	8W	SMD	21Pcs	80LM
CM-5822 ECE R112 R7	Driving beam (ECE R112)	65W	SMD	10Pcs	6500LM
	White position light (ECE R7)	10W	SMD	36Pcs	120LM
CM-5832	Driving beam	120W	SMD	16Pcs	10000LM
	White position light	10W	SMD	57Pcs	240LM
CM-5842	Driving beam	175W	SMD	20Pcs	12500LM
	White position light	10W	SMD	72Pcs	350LM
CM-5852	Driving beam	200W	SMD	—	14500LM
	White position light	10W	SMD	—	450LM

- Voltage: 10-30V - Housing Material: Aluminum - Bracket Material: Stainless Steel



Item No.	A	Inch
CM-5812	345mm	14"
CM-5822	545mm	22"
CM-5832	845mm	32"
CM-5842	1045mm	42"
CM-5852	1345mm	52"

YTK CO.,LTD.
Http://www.ytk-group.co.jp



CM-33 SERIES

UPGRADE PIANO REFLECTOR DUAL ROW
BEZEL LESS LIGHT BAR WITH POSITION LIGHT

ECE R10

Over-heated Protected

CE

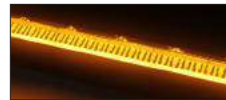
High Luminance Chip

RoHS

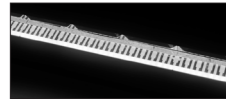
IP67 & IP69K

OSRAM

PIANO KEY DESIGN



AMBER POSITION LIGHT

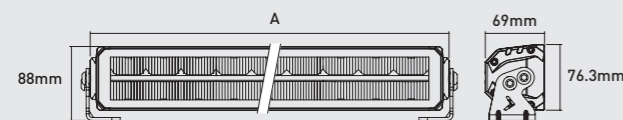


WHITE POSITION LIGHT



Item No.	Beam Pattern	Wattage	LED CHIP	LED Quantity	Effective Lumen
CM-3312 ECE R112 R7	Driving beam	45W	OSRAM	12Pcs	4000LM
	White position light	4.5W	SMD	24Pcs	300LM
	Amber position light	4.5W	SMD	24Pcs	200LM
CM-3322 ECE R112 R7	Driving beam	95W	OSRAM	24Pcs	8000LM
	White position light	8.5W	SMD	48Pcs	400LM
	Amber position light	8.5W	SMD	48Pcs	350LM
CM-3332	Driving beam	140W	OSRAM	36Pcs	12000LM
	White position light	13W	SMD	72Pcs	650LM
	Amber position light	13W	SMD	72Pcs	500LM
CM-3342	Driving beam	180W	OSRAM	48Pcs	15000LM
	White position light	17W	SMD	96Pcs	1100LM
	Amber position light	17W	SMD	96Pcs	800LM

- Voltage: 10-30V - Housing Material: Aluminum - Bracket Material: Stainless Steel



Item No.	A	Inch
CM-3312	382mm	12"
CM-3322	584mm	22"
CM-3332	886mm	32"
CM-3342	1088mm	42"

CM-55 SERIES

NEW INNOVATION BEZEL-LESS DESIGN
DUAL ROW LIGHT BAR WITH POSITION LIGHT

ECE R10

Over-heated Protected

CE

High Luminance Chip

RoHS

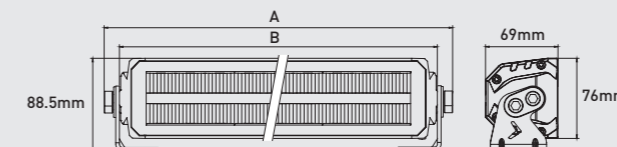
IP67 & IP69K

OSRAM



Item No.	Beam Pattern	Wattage	LED CHIP	LED Quantity	Effective Lumen
CM-5512	Driving beam	42-52W	OSRAM	18Pcs	4700-5300LM
	White position light	10W	OSRAM	18Pcs	100LM
	Amber position light	10W	SMD	18Pcs	100LM
CM-5522	Driving beam	78-102W	OSRAM	36Pcs	7800-10500LM
	White position light	20W	OSRAM	36Pcs	200LM
	Amber position light	20W	SMD	36Pcs	200LM
CM-5532	Driving beam	104-152W	OSRAM	54Pcs	9860-13680LM
	White position light	30W	OSRAM	54Pcs	300LM
	Amber position light	30W	SMD	54Pcs	300LM
CM-5542	Driving beam	126-180W	OSRAM	72Pcs	11340-16200LM
	White position light	40W	OSRAM	72Pcs	400LM
	Amber position light	40W	SMD	72Pcs	400LM

- Voltage: 10-30V - Housing Material: Aluminum - Bracket Material: Stainless Steel

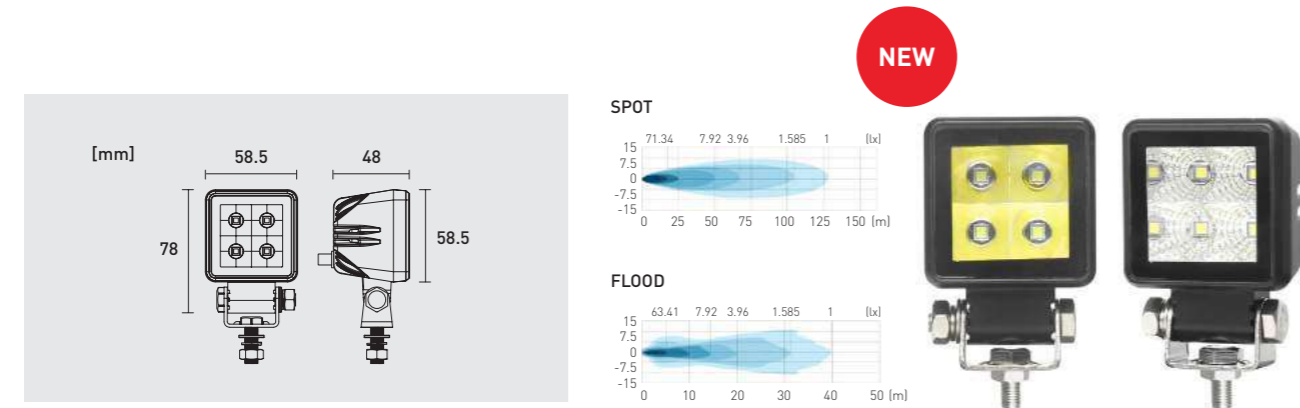


Item No.	A	B	Inch
CM-5512	382mm	303mm	12"
CM-5522	584mm	555mm	22"
CM-5532	886mm	807mm	32"
CM-5542	1088mm	1059mm	42"

YTK CO.,LTD.
Http://www.ytk-group.co.jp

CM-5004 BEZEL-LESS LED MINI WORK LIGHT

IP67 & IP69K | ECE R10 | CE | RoHS | OSRAM | High Luminance Chip

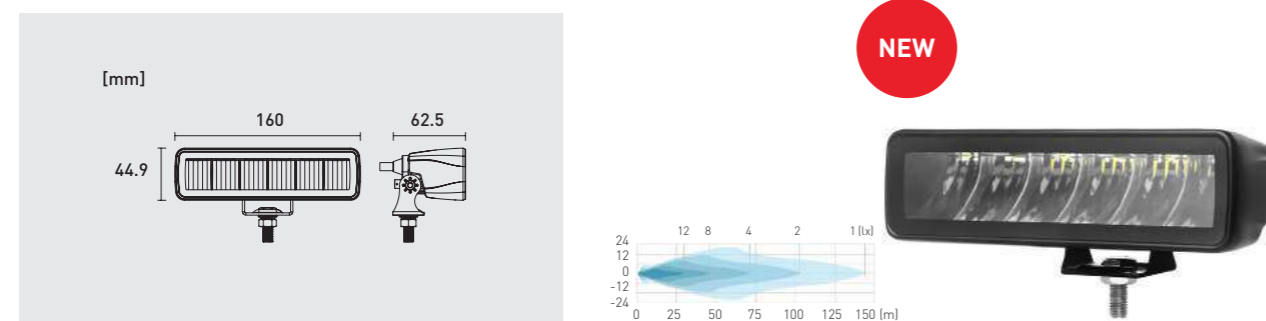


Item No.	Beam Pattern	Wattage	LED CHIP	LED Quantity	Effective Lumen	Raw Lumen
CM-5004	Spot / Flood	18W	OSRAM	4Pcs	1600LM	2000LM

- Voltage: 10-30V - Housing Material: Aluminum - Bracket Material: Stainless Steel

CM-5030PR 6.3" LED WORK LIGHT

IP67 & IP69K | ECE R10 | CE | RoHS | High Luminance Chip

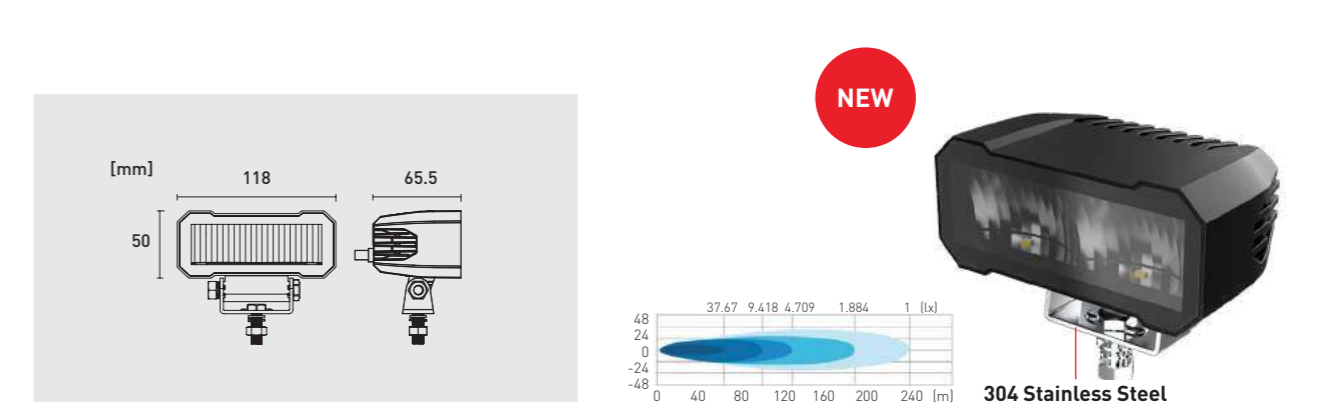


Item No.	Beam Pattern	Wattage	LED CHIP	LED Quantity	Effective Lumen	Raw Lumen
CM-5030PR	Spot	18W	SMD	6Pcs	1700LM	2000LM

- Voltage: 10-30V - Housing Material: Aluminum - Bracket Material: Stainless Steel

CM-5007 BEZEL-LESS LED WORK LIGHT

IP67 & IP69K | ECE R112 R10 | CE | RoHS | High Luminance Chip

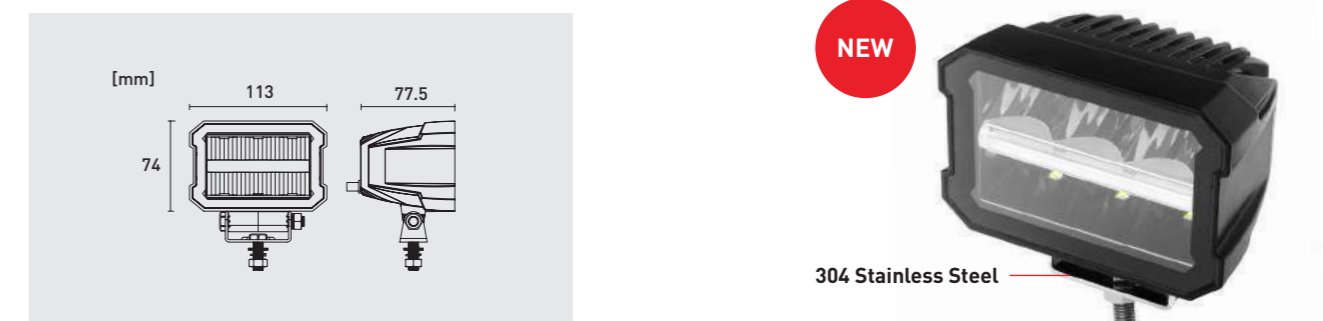


Item No.	Beam Pattern	Wattage	LED CHIP	LED Quantity	Effective Lumen	Raw Lumen
CM-5007	Driving Beam	20W	HFL3	2Pcs	1600LM	2100LM

- Voltage: 10-30V - Housing Material: Aluminum - Bracket Material: 304 Stainless Steel

CM-5008 BEZEL-LESS LED WORK LIGHT

IP67 & IP69K | ECE R112 R7 R10 | CE | RoHS | High Luminance Chip

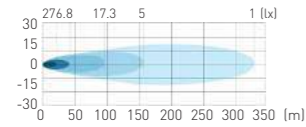


Item No.	Beam Pattern	Wattage	LED CHIP	LED Quantity	Effective Lumen	Raw Lumen
CM-5008	Driving Beam	30W	OSRAM	6Pcs	2200LM	2800LM

- Voltage: 10-30V - Housing Material: Aluminum - Bracket Material: 304 Stainless Steel

CM-P8 6 INCH LED DRIVING LIGHT WITH ECE APPROVAL

- ECE R112
R7
R10**
- High Luminance Chip**
- IP67 & IP69K**
- OSRAM**
- CE**
- RoHS**

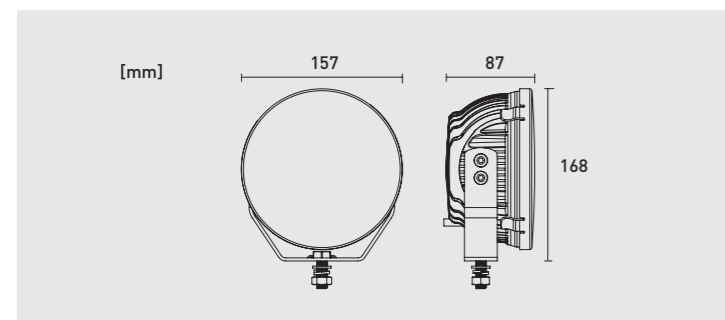


Wire Harness(Optional)

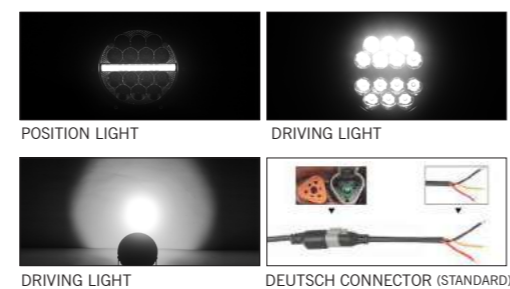


Item No.	Beam Pattern	Wattage	LED CHIP	LED Quantity	Effective Lumen	LED Color
CM-P8	Driving beam	70W(14*5W)	OSRAM	14Pcs	5500LM	○
	Position light	5W	OSRAM	18Pcs	120LM	○

- Voltage: 10-30V - Housing Material: Aluminum - Lens Material: PC

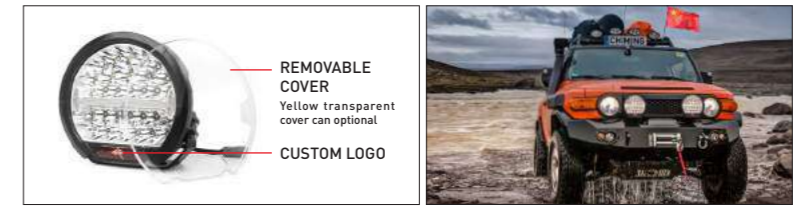


LIGHT

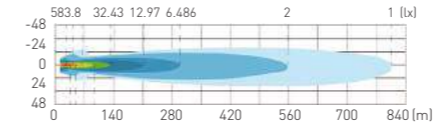


CM-50130 HIGH INTENSITY LED DRIVING LIGHT HAMMER OF THOR-NIGHT GUARDIAN

- ECE R112
R7
R10**
- High Luminance Chip**
- IP67 & IP69K**
- OSRAM**
- CE**
- RoHS**



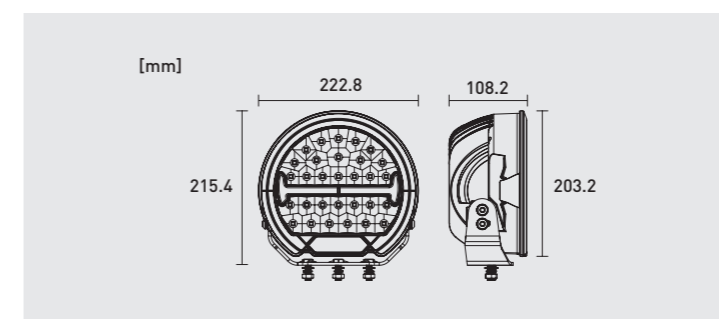
The irradiation distance of double lamps reaches 1200 meters



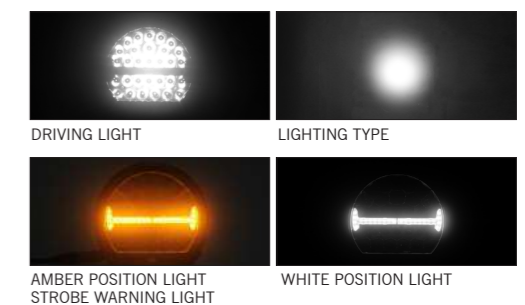
HIGH INTENSITY LASER LIGHT

Item No.	Beam Pattern	Wattage	LED CHIP	LED Quantity	Effective Lumen	Raw Lumen
CM-50130	Driving beam	141W	OSRAM	30Pcs	7752LM	10000LM
	Position light	4.68W	SMD	24Pcs	297LM	500LM
	Warning light	4.68W	SMD	24Pcs	—	—

- Voltage: 10-30V - Housing Material: Aluminum - Lens Material: PC



LIGHT



YTK CO.,LTD.
Http://www.ytk-group.co.jp



CM-5064 PLUS 7 INCH INTENSITY LED DRIVING LIGHT

ECE R112
R7
R65
R10

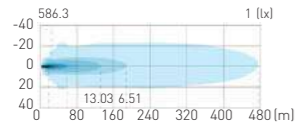
High Luminance Chip

IP67 & IP69K

CE

OSRAM

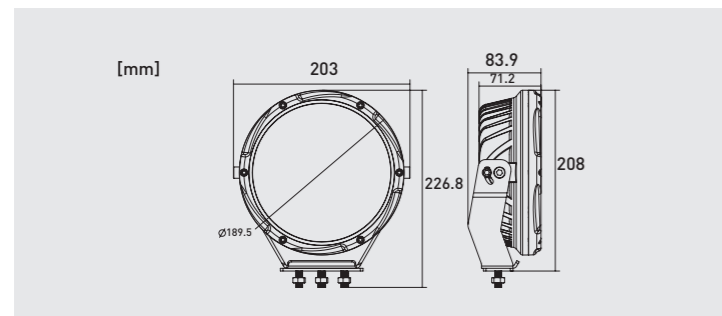
RoHS



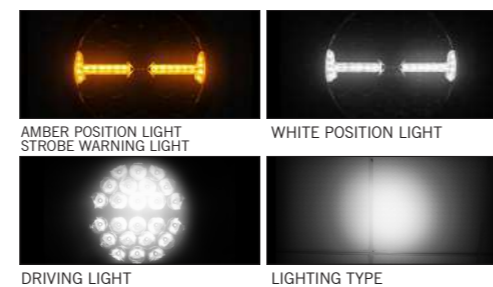
NEW

Item No.	Beam Pattern	Wattage	LED CHIP	LED Quantity	Effective Lumen	LED Color
CM-5064 Plus	Driving Light	100W	OSRAM	24Pcs	10920LM	○
	White Position Light	4.8W	OSRAM	20Pcs	339LM	○
	Amber Position Light	4.8W	OSRAM	20Pcs	269LM	●
	Amber Strobe Warning Light	4.8W	OSRAM	20Pcs	269LM	●

- Voltage: 10-30V - Housing Material: Aluminum - Lens Material: PC



LIGHT



CM-7880 SERIES LED DRIVING LIGHT WITH POSITION LIGHT

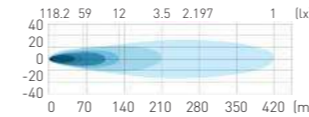
ECE R112
R7
R10

High Luminance Chip

IP67 & IP69K

CE

RoHS



CM-7880S



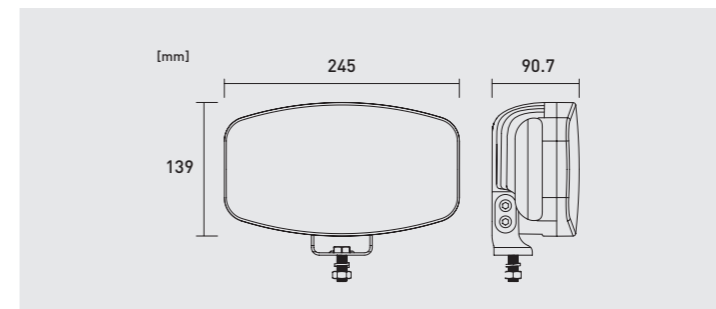
CM-7880C



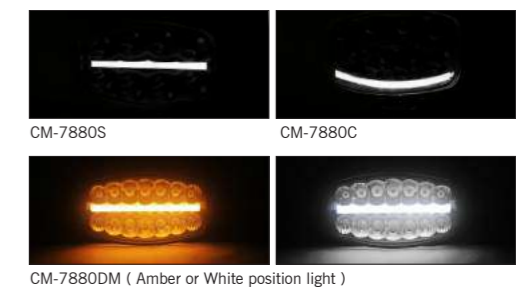
CM-7880DM [ECO TYPE]

Item No.	Beam Pattern	Wattage	LED CHIP	LED Quantity	Effective Lumen	Raw Lumen
CM-7880S	Driving Light	64W	SMD	8Pcs	4480LM	6500LM
	Position Light	—	SMD	—	—	—
CM-7880C	Driving Light	64W	SMD	8Pcs	5700LM	6500LM
	Position Light	—	SMD	—	—	—
CM-7880DM	Driving Light	50W	SMD	14Pcs	3080LM	4000LM
	Position Light	8W	SMD	10Pcs	80LM	100LM

- Voltage: 10-30V - Housing Material: Aluminum - Bracket Material: Stainless Steel



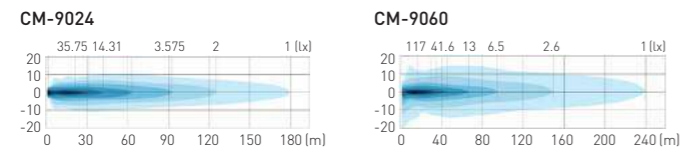
POSITION LIGHT



CM-9024/9060/90120

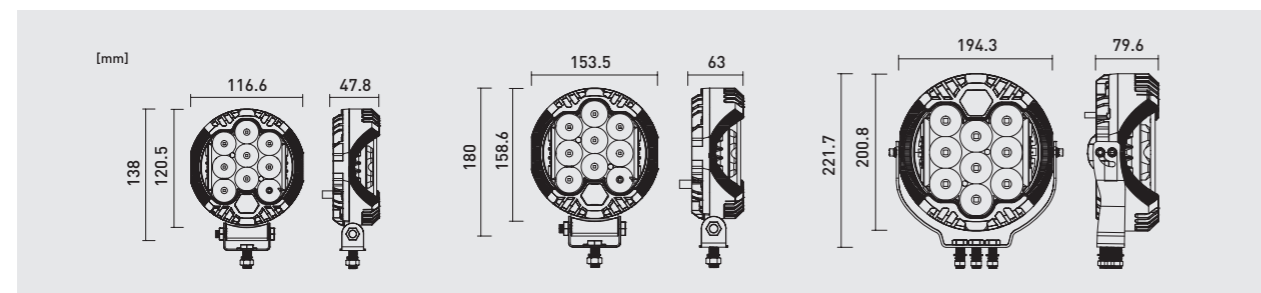
LED DRIVING LIGHT WITH POSITION LIGHT

- ECE R112 R7 R10**
- High Luminance Chip**
- IP67 & IP69K**
- CE**
- RoHS**



Item No.	Beam Pattern	Wattage	LED CHIP	LED Quantity	Effective Lumen	Raw Lumen
CM-9024	Driving Light	30W	SMD	15+1Pcs	2200LM	2900LM
	Position Light	—	SMD	24Pcs	—	—
CM-9060	Driving Light	45W	SMD	15+1Pcs	3300LM	4300LM
	Position Light	—	SMD	24Pcs	—	—
CM-90120	Driving Light	70W	SMD	15+1Pcs	4650LM	6200LM
	Position Light	—	SMD	18Pcs	—	—

- Voltage: 10-30V - Housing Material: Aluminum - Bracket Material: Stainless Steel

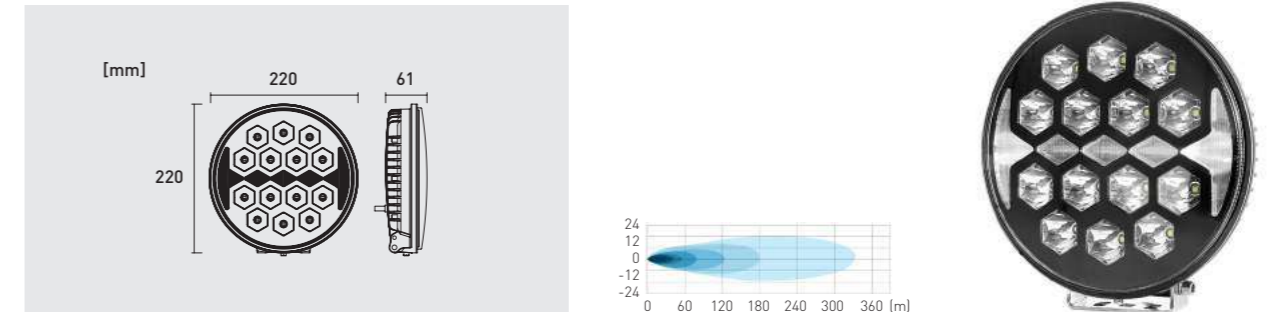


YTK CO.,LTD.
[Http://www.ytk-group.co.jp](http://www.ytk-group.co.jp)

CM-9070

LED DRIVING LIGHT WITH POSITION LIGHT

- IP67 & IP69K** | **ECE R112 R7 R10** | **CE** | **RoHS** | **High Luminance Chip** | **Over-heated Protected**



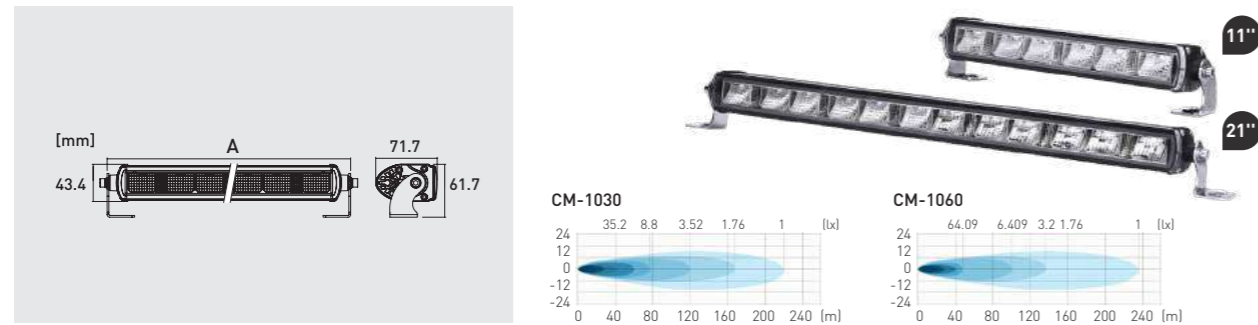
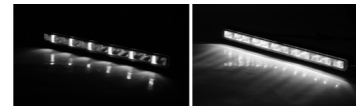
Item No.	Beam Pattern	Wattage	LED CHIP	LED Quantity	Effective Lumen	Raw Lumen
CM-9070	Driving Light	140W	SMD	14Pcs	7480LM	10000LM
	Position Light	5W	SMD	9Pcs	150LM	200LM

- Voltage: 10-30V - Housing Material: Aluminum - Bracket Material: Stainless Steel



CM-1030/1060 LED DRIVING LIGHT BAR

IP67 & IP69K | ECE R112 R7 R10 | CE | RoHS | High Luminance Chip

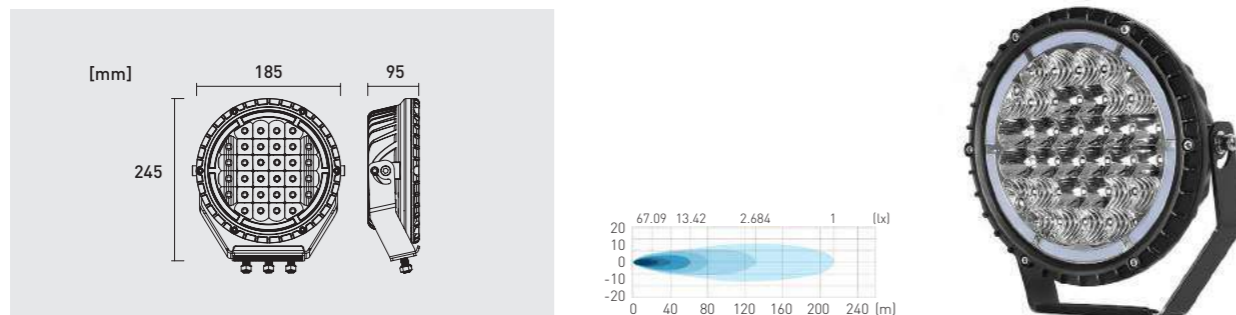


Item No.	Beam Pattern	Wattage	LED CHIP	LED Quantity	Effective Lumen	Raw Lumen	SIZE A
CM-1030	Driving+Position Light	30W	SMD	6+3Pcs	2200LM	2800LM	284mm
CM-1060	Driving+Position Light	60W	SMD	12+6Pcs	4200LM	5500LM	524mm

- Voltage: 12-24V - Housing Material: Aluminum - Bracket Material: Stainless Steel

CM-5064 LED DRIVING LIGHT WITH POSITION LIGHT

IP67 & IP69K | ECE R112 R7 R10 | CE | RoHS | High Luminance Chip

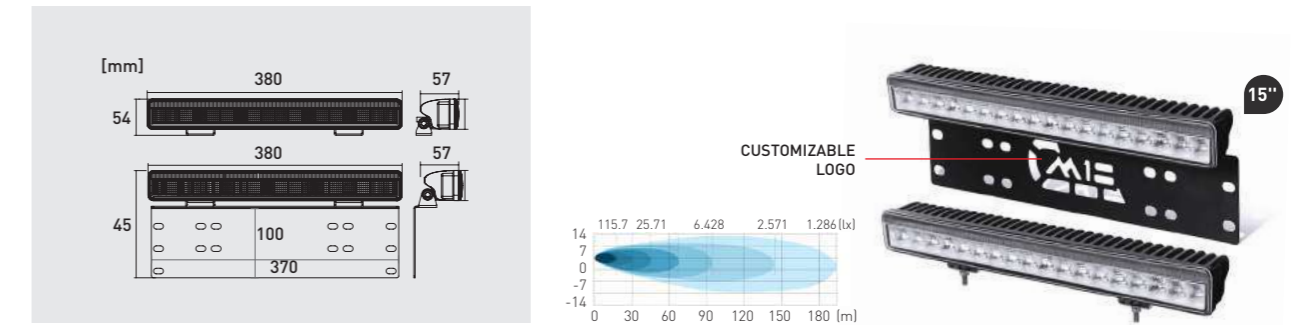


Item No.	Beam Pattern	Wattage	LED CHIP	LED Quantity	Effective Lumen	Raw Lumen
CM-5064	Driving Light	75W	SMD	30Pcs	6150LM	8000LM
	Position Light	—	SMD	32Pcs	—	—

- Voltage: 10-30V - Housing Material: Aluminum - Bracket Material: Stainless Steel

CM-6054B NUMBER PLATE LED LIGHT BAR

IP67 & IP69K | ECE R112 R7 R10 | CE | RoHS | High Luminance Chip



Item No.	Beam Pattern	Wattage	LED CHIP	LED Quantity	Effective Lumen	Raw Lumen
CM-6054B With Number Plate	Driving+Position Light	70W	SMD	18+30Pcs	4800LM	6200LM
CM-6054B Without Number Plate	Driving+Position Light	70W	SMD	18+30Pcs	4800LM	6200LM

- Voltage: 10-30V - Housing Material: Aluminum - Bracket Material: Stainless Steel

YTK CO.,LTD.
[Http://www.ytk-group.co.jp](http://www.ytk-group.co.jp)

