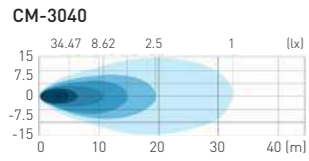


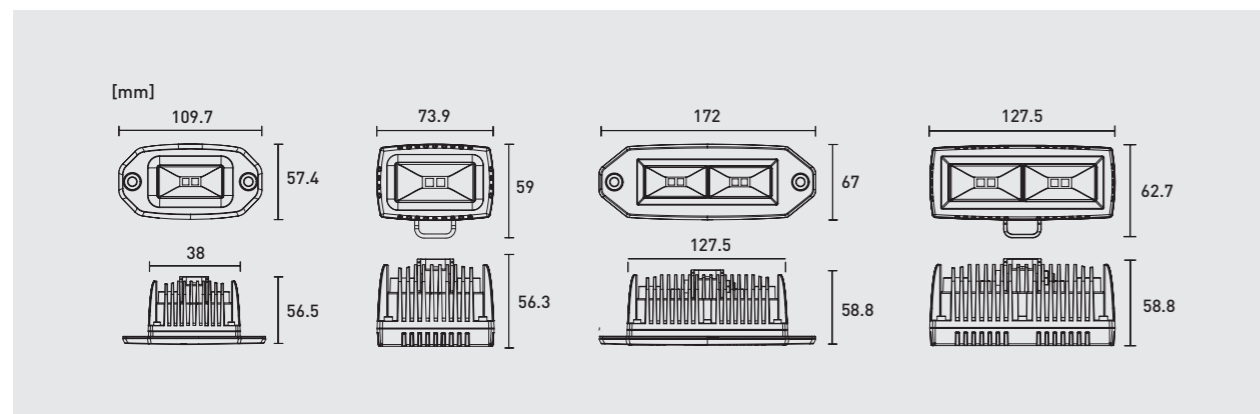
CM-3020/3020L/3040/3040L LED WORK LIGHT

- ECE R10
- High Luminance Chip
- CE
- IP67 & IP69K
- RoHS



Item No.	Beam Pattern	Wattage	LED CHIP	LED Quantity	Effective Lumen	Raw Lumen
CM-3020	Flood	20W	SMD	2Pcs	570LM	1000LM
CM-3020L	Flood	20W	SMD	2Pcs	760LM	1000LM
CM-3040	Flood	40W	SMD	4Pcs	940LM	2000LM
CM-3040L	Flood	40W	SMD	4Pcs	1520LM	2000LM

- Voltage: 10-30V - Housing Material: Aluminum - Bracket Material: Stainless Steel



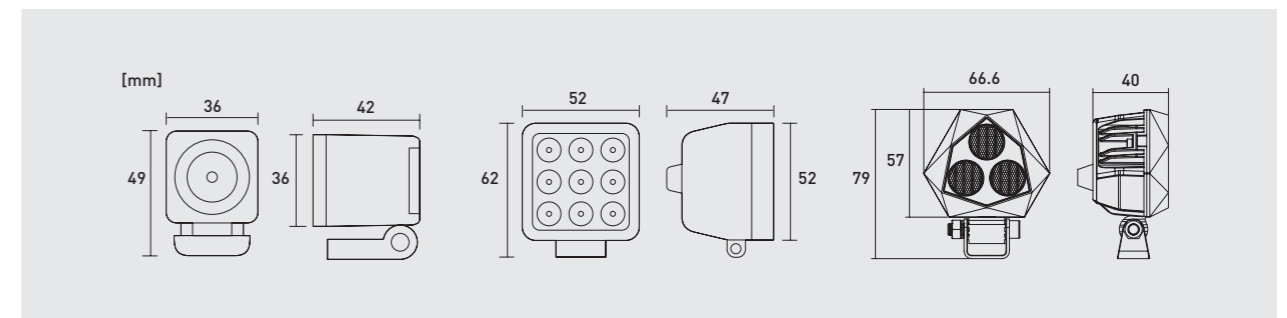
CM-5013/5014/2009 LED MINI CUBE

- ECE R10
- High Luminance Chip
- CE
- IP67 & IP69K
- RoHS



Item No.	Beam Pattern	Wattage	LED CHIP	LED Quantity	Effective Lumen	Raw Lumen
CM-5013	Spot	10W	SMD	1Pcs	420LM	600LM
	Flood	10W	SMD	1Pcs	420LM	600LM
CM-5014	Spot	12W	SMD	9Pcs	860LM	1200LM
	Flood	12W	SMD	9Pcs	860LM	1200LM
CM-2009	Flood	9W	OSRAM	3Pcs	910LM	1200LM

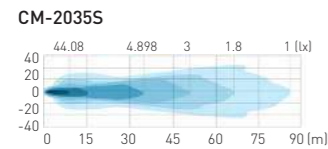
- Voltage: 10-30V - Housing Material: Aluminum - Bracket Material: Stainless Steel



CM-20 SERIES

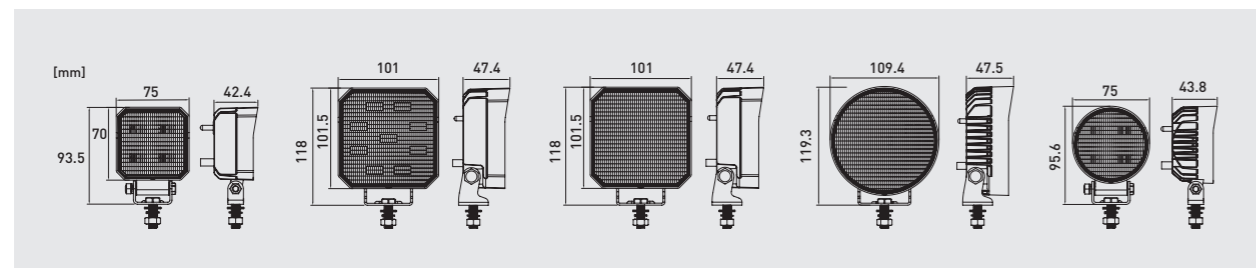
SWITCH WORK LIGHT WITH **OVER-HEATED PROTECTED**

- ECE R10
- High Luminance Chip
- CE
- IP67 & IP69K
- RoHS
- OSRAM



Item No.	Beam Pattern	Wattage	LED CHIP	LED Quantity	Effective Lumen
CM-2020R	Flood	20W	OSRAM	4Pcs	1600LM
CM-2020S	Flood	20W	OSRAM	4Pcs	1600LM
CM-2035R	Flood	25W(79°C)-42W(30°C)	OSRAM	9Pcs	2800-3800LM
CM-2035S	Flood	25W(79°C)-42W(30°C)	OSRAM	9Pcs	2800-3800LM
CM-2090S	Flood	30W(79°C)-50W(30°C)	SMD	16Pcs	2800-4000LM

- Voltage: 10-30V - Housing Material: Aluminum - Bracket Material: Stainless Steel



CM-20 PLUS SERIES

ECONOMY WORK LIGHT WITH **OSRAM LED**

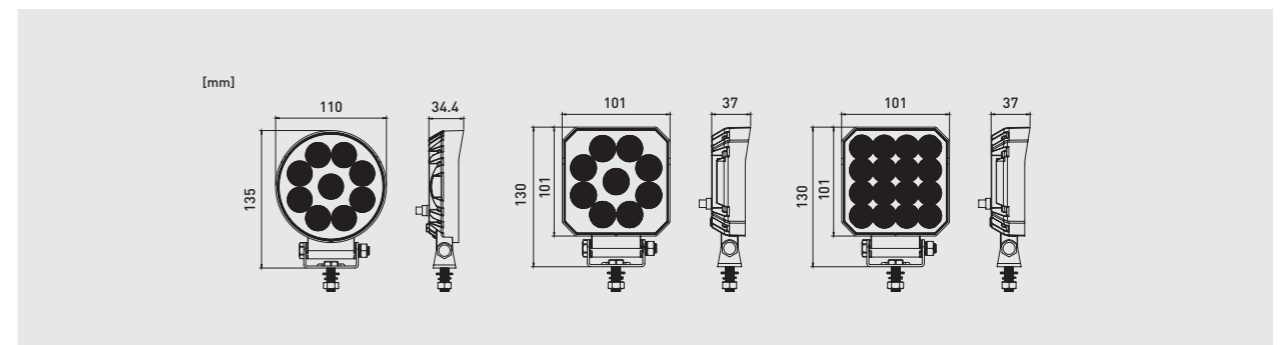
- ECE R10
- High Luminance Chip
- CE
- IP67 & IP69K
- RoHS
- OSRAM

- NEW UPGRADE FLOOD LENS,ENSURE A WIDE RANGE OF LIGHT SPREAD, MORE SUITABLE FOR AGRICULTURE WORKING
- PAIR PACKAGE (2PCS/BOX), MOQ 1000PAIRS






Item No.	Beam Pattern	Wattage	LED CHIP	LED Quantity	Raw Lumen	Effective Lumen
CM-2025R PLUS	Flood	15W	OSRAM	9Pcs	1500LM	1100LM
CM-2035S PLUS	Flood	15W	OSRAM	9Pcs	1500LM	1100LM
CM-2090S PLUS	Flood	25W	OSRAM	16Pcs	2000LM	1600LM

- Voltage: 10-30V - Housing Material: Aluminum - Bracket Material: Stainless Steel



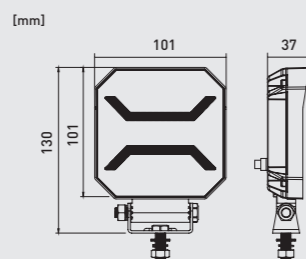
CM-2011W LED WORK LIGHT WITH POSITION LIGHT

- ECE R10  High Luminance Chip
- CE  IP67 & IP69K
- RoHS 






Item No.	Beam Pattern	Wattage	LED CHIP	LED Quantity	Raw Lumen	Effective Lumen
CM-2011W	Spot	15W	SMD	10Pcs	1500LM	—

- Voltage: 10-30V - Housing Material: Aluminum - Bracket Material: Stainless Steel



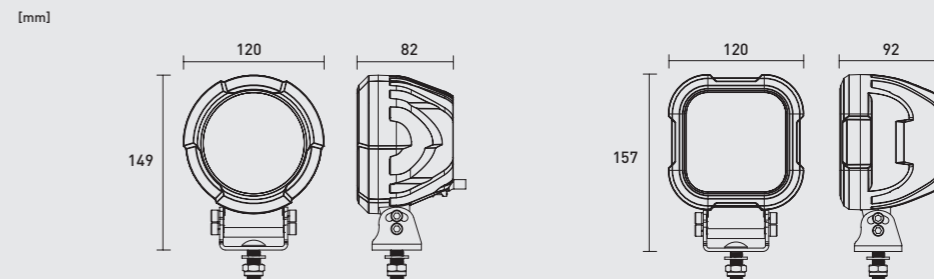
CM-7882 / CM-7883 LED HEAVY DUTY AGRICULTURE WORK LIGHT

- ECE R10  High Luminance Chip
- CE  IP67 & IP69K
- RoHS  OSRAM



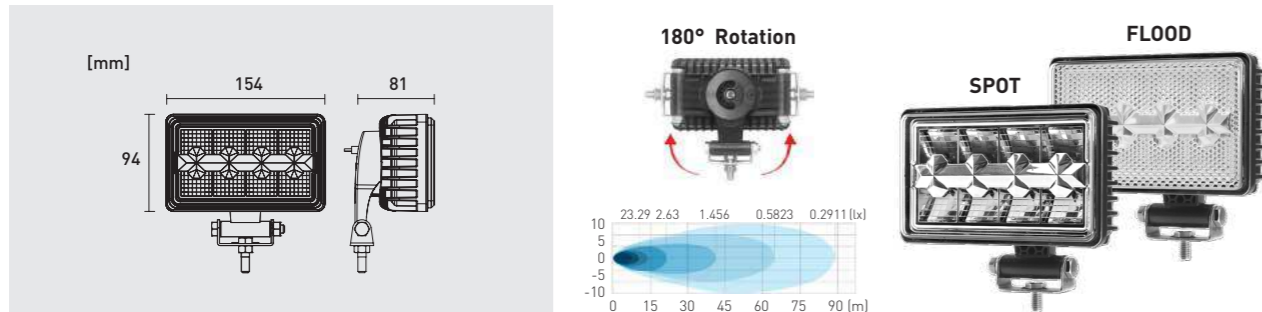
Item No.	Beam Pattern	Wattage	LED CHIP	LED Quantity	Raw Lumen	Effective Lumen
CM-7882	Flood	43W	OSRAM	9Pcs	5200LM	4000LM
CM-7883	Flood	43W	OSRAM	9Pcs	5200LM	4000LM

- Voltage: 10-30V - Housing Material: Aluminum - Bracket Material: 304 Stainless Steel



CM-5353 LED AGRICULTURE WORK LIGHT

IP67 & IP69K | ECE R10 | CE | RoHS | High Luminance Chip



Item No.	Beam Pattern	Wattage	LED CHIP	LED Quantity	Effective Lumen	Raw Lumen
CM-5353	Spot / Flood	40W	SMD	8Pcs	1600LM	2000LM

- Voltage: 10-30V - Housing Material: Aluminum - Bracket Material: Stainless Steel

CM-3036 LED AGRICULTURE WORK LIGHT WITH OVER-HEATED PROTECTED

IP67 & IP69K | ECE R10 | CE | RoHS | OSRAM | High Luminance Chip

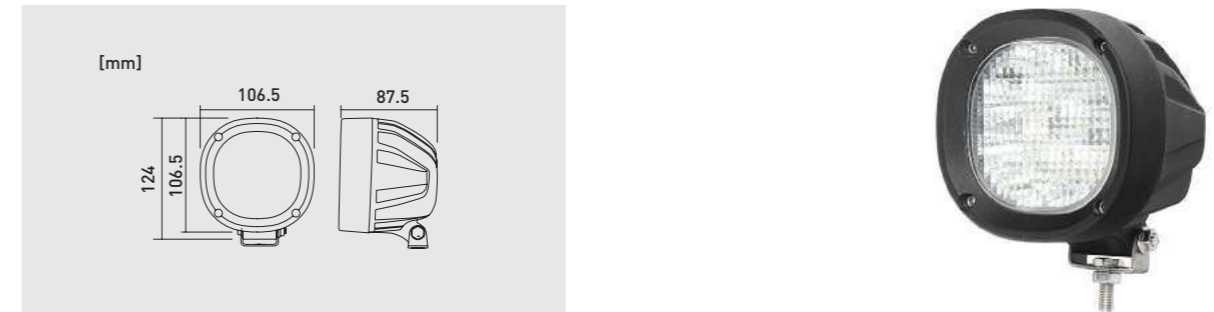


Item No.	Beam Pattern	Wattage	LED CHIP	LED Quantity	Effective Lumen
CM-3036	Flood	35-41W	OSRAM	12Pcs	3800-4500LM

- Voltage: 10-30V - Housing Material: Aluminum - Bracket Material: 304 Stainless Steel

CM-2046 LED AGRICULTURE WORK LIGHT

IP67 & IP69K | ECE R10 | CE | RoHS | High Luminance Chip



Item No.	Beam Pattern	Wattage	LED CHIP	LED Quantity	Effective Lumen	Raw Lumen
CM-2046	Flood	46W	SMD	9Pcs	3100LM	4100LM

- Voltage: 10-30V - Housing Material: Aluminum - Bracket Material: Stainless Steel

CM-6048 LED AGRICULTURE WORK LIGHT

IP67 & IP69K | ECE R10 | CE | RoHS | High Luminance Chip



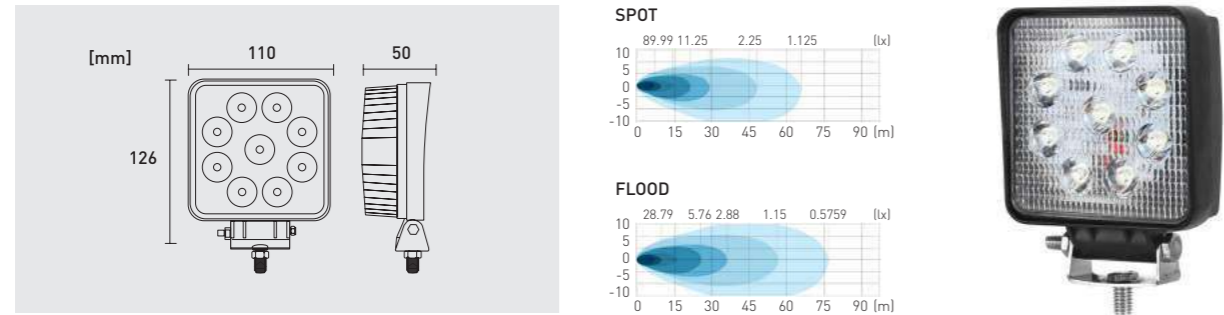
Item No.	Beam Pattern	Wattage	LED CHIP	LED Quantity	Effective Lumen	Raw Lumen
CM-6048	Flood / Spot	48W	SMD	16Pcs	2420LM	2800LM

- Voltage: 10-30V - Housing Material: Aluminum - Bracket Material: Stainless Steel



CM-5027 LED WORK LIGHT

IP67 & IP69K | ECE R10 | CE | RoHS | High Luminance Chip

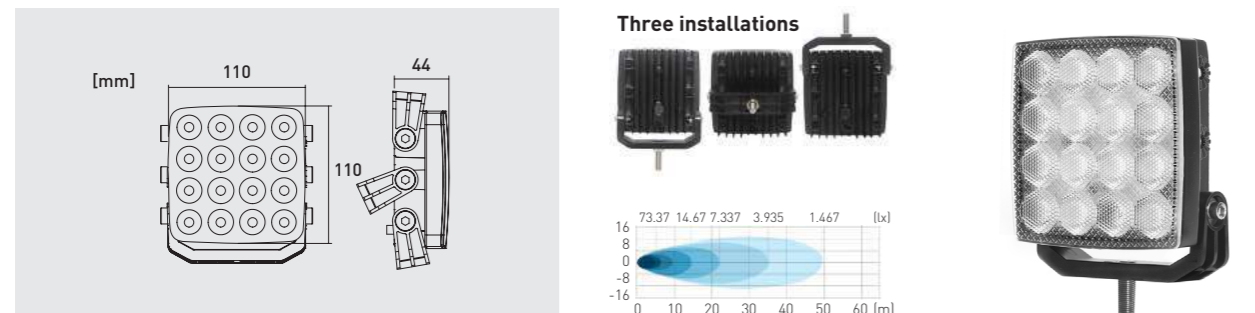


Item No.	Beam Pattern	Wattage	LED CHIP	LED Quantity	Effective Lumen	Raw Lumen
CM-5027	Spot / Flood	27W	Epistar	9Pcs	1800LM	2500LM

- Voltage: 10-30V - Housing Material: Aluminum - Bracket Material: Stainless Steel

CM-5148 LED WORK LIGHT / REVERSE LIGHT

IP67 & IP69K | ECE R10 | CE | RoHS | High Luminance Chip

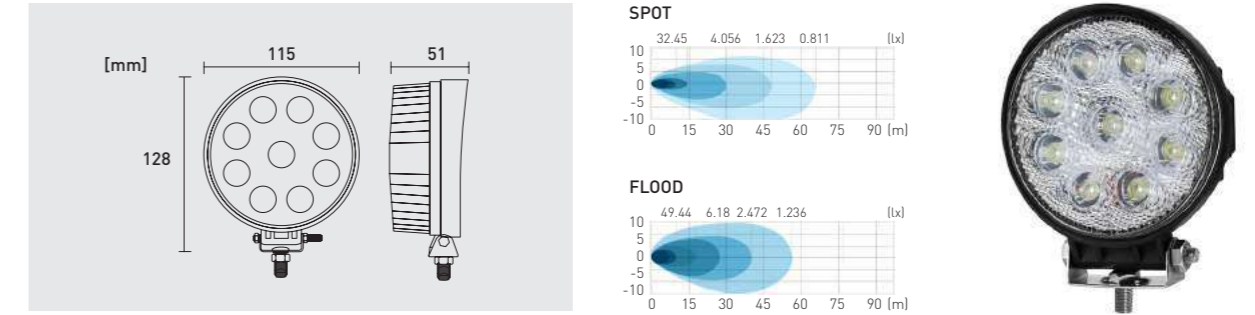


Item No.	Beam Pattern	Wattage	LED CHIP	LED Quantity	Effective Lumen	Raw Lumen
CM-5148	Flood	48W	SMD	16Pcs	2610LM	3300LM

- Voltage: 10-30V - Housing Material: Aluminum - Bracket Material: Stainless Steel

CM-5027B LED WORK LIGHT

IP67 & IP69K | ECE R10 | CE | RoHS | High Luminance Chip

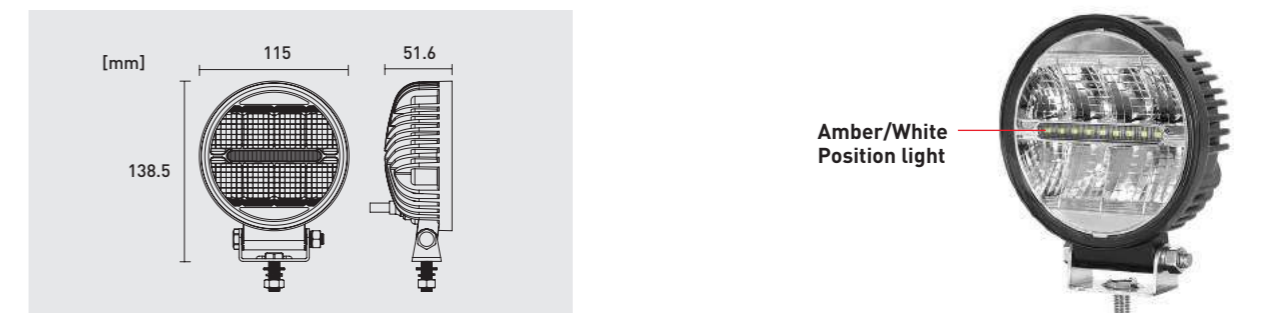


Item No.	Beam Pattern	Wattage	LED CHIP	LED Quantity	Effective Lumen	Raw Lumen
CM-5027B	Spot / Flood	27W	Epistar	9Pcs	1510LM	1800LM

- Voltage: 10-30V - Housing Material: Aluminum - Bracket Material: Stainless Steel

CM-5025 LED WORK LIGHT WITH POSITION LIGHT

IP67 & IP69K | ECE R10 | CE | RoHS | High Luminance Chip



Item No.	Beam Pattern	Wattage	LED CHIP	LED Quantity	Effective Lumen	Raw Lumen
CM-5025	Combo	30W	SMD	8+9Pcs	1890LM	2600LM

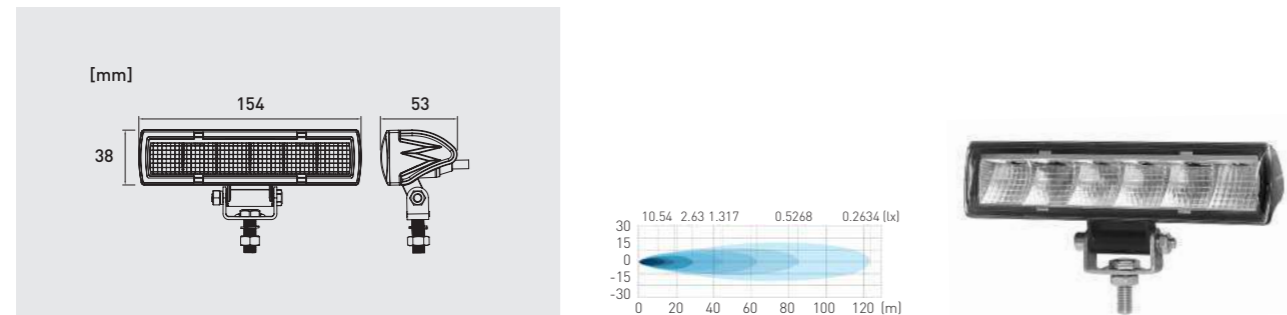
- Voltage: 10-30V - Housing Material: Aluminum - Bracket Material: Stainless Steel

YTK CO.,LTD.
Http://www.ytk-group.co.jp



CM-5018Z LED WORK LIGHT BAR

IP67 & IP69K | ECE R112 R10 | CE | RoHS | High Luminance Chip



Item No.	Beam Pattern	Wattage	LED CHIP	LED Quantity	Effective Lumen	Raw Lumen
CM-5018Z	Flood	18W	SMD	6Pcs	1190LM	1500LM

- Voltage: 10-30V - Housing Material: Aluminum - Bracket Material: Stainless Steel

CM-5021D LED WORK LIGHT WITH POSITION LIGHT

IP67 & IP69K | ECE R10 | CE | RoHS | High Luminance Chip

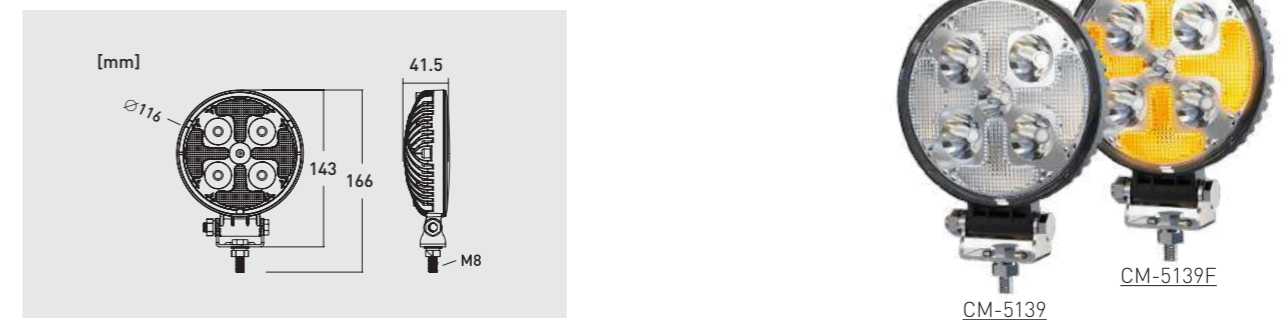


Item No.	Beam Pattern	Wattage	LED CHIP	LED Quantity	Effective Lumen	Raw Lumen
CM-5021D	Flood+position light	15W	SMD	4+9Pcs	990LM	1300LM

- Voltage: 10-30V - Housing Material: Aluminum - Bracket Material: Stainless Steel

CM-5139/CM-5139F LED WORK LIGHT WITH POSITION LIGHT

IP67 & IP69K | ECE R10 | CE | RoHS | High Luminance Chip



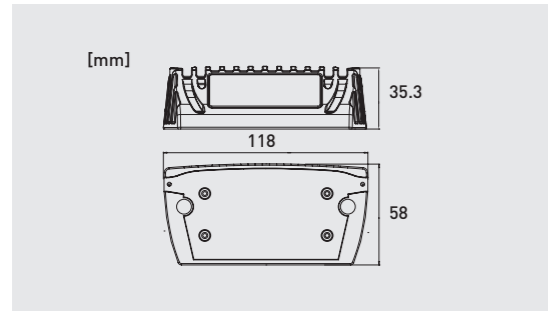
Item No.	Beam Pattern	Wattage	LED CHIP	LED Quantity	Effective Lumen	Raw Lumen
CM-5139 / 5139F	Spot+Position light	39W	SMD	5+28Pcs	1250LM	1800LM

- Voltage: 10-30V - Housing Material: Aluminum - Bracket Material: Stainless Steel

YTK CO.,LTD.
[Http://www.ytk-group.co.jp](http://www.ytk-group.co.jp)

CM-6009-V3 LED SCENE LIGHT

IP67 & IP69K | ECE R10 | CE | RoHS | High Luminance Chip



HOT SALE

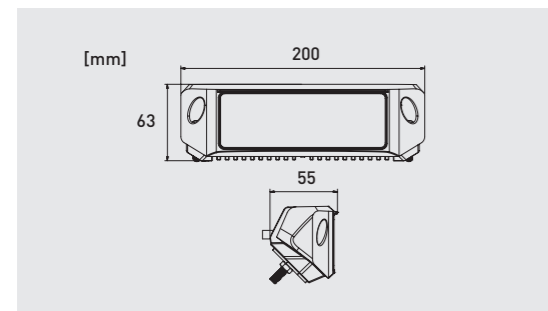


Item No.	Beam Pattern	Wattage	LED CHIP	LED Quantity	Effective Lumen	Raw Lumen
CM-6009-V3	Area Lighting	18W	SMD	6Pcs	730LM	1000LM

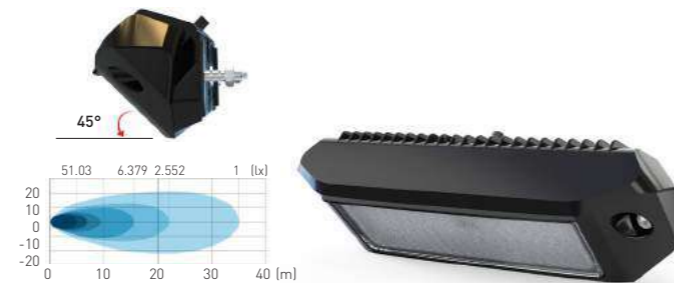
- Voltage: 10-30V - Housing Material: Aluminum - Bracket Material: Stainless Steel

CM-6008PLUS ZERO GLARE LED WORK LIGHT, **OVER-HEATED PROTECTED**

IP67 & IP69K | ECE R10 | CE | RoHS | OSRAM | High Luminance Chip



NEW

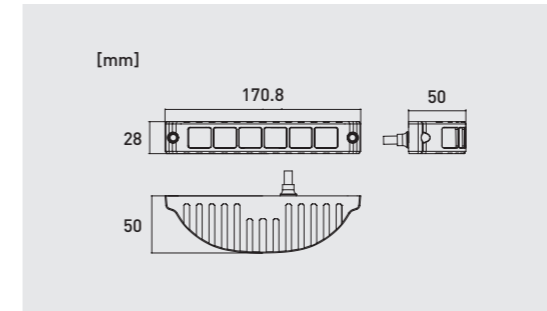


Item No.	Beam Pattern	Wattage	LED CHIP	LED Quantity	Effective Lumen
CM-6008PLUS	Flood	25-35W	OSRAM	42Pcs	2400-3000LM

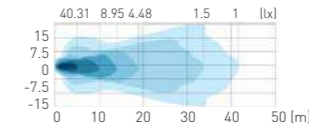
- Voltage: 10-30V - Housing Material: Aluminum - Bracket Material: Stainless Steel

CM-1018 LED WORK LIGHT

IP67 & IP69K | ECE R10 | CE | RoHS | High Luminance Chip



NEW

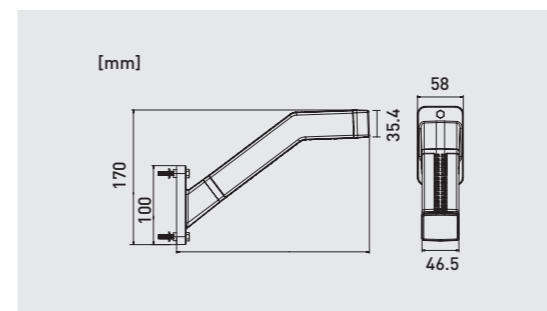


Item No.	Beam Pattern	Wattage	LED CHIP	LED Quantity	Effective Lumen	Raw Lumen
CM-1018	Flood	16W	SMD	6Pcs	830LM	1100LM

- Voltage: 10-30V - Housing Material: Aluminum - Bracket Material: Stainless Steel

CM-2018 LED WORK LIGHT

IP67 & IP69K | ECE R10 | CE | RoHS | High Luminance Chip



NEW



Item No.	Beam Pattern	Wattage	LED CHIP	LED Quantity	Effective Lumen	Raw Lumen
CM-2018	Flood	25W	SMD	22+18Pcs	1350±135LM	2000LM

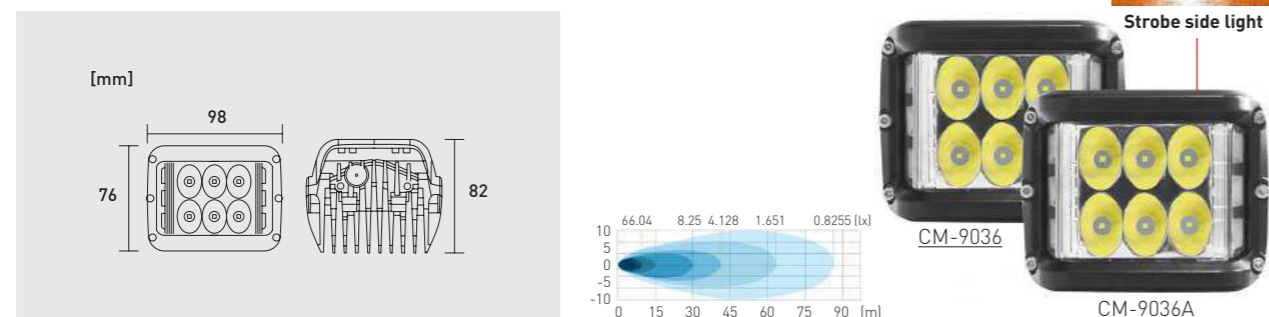
- Voltage: 10-30V - Housing Material: Aluminum - Bracket Material: Stainless Steel

YTK CO.,LTD.
Http://www.ytk-group.co.jp



CM-9036/CM-9036A LED WORK LIGHT WITH SIDE LIGHTS

IP67 & IP69K | ECE R10 | CE | RoHS | High Luminance Chip

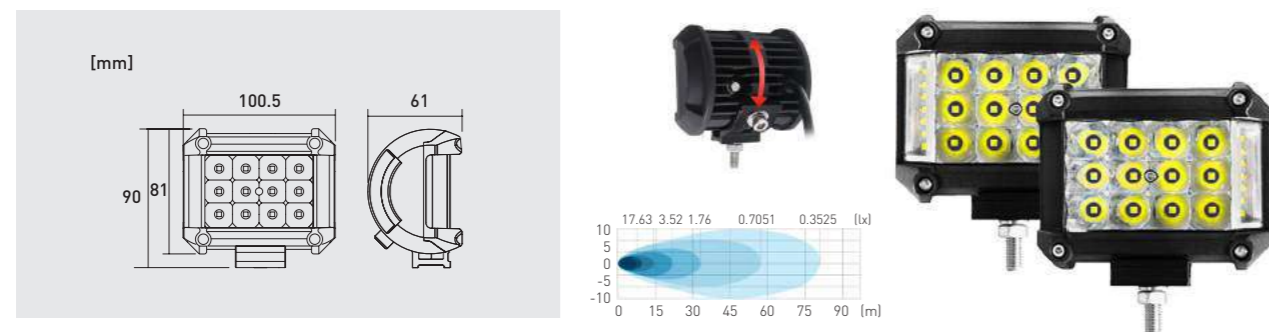


Item No.	Beam Pattern	Wattage	LED CHIP	LED Quantity	Effective Lumen	Raw Lumen
CM-9036 / 9036A	Spot+Side light	36W	SMD	6+6Pcs	1600LM	2200LM

- Voltage: 10-30V - Housing Material: Aluminum - Bracket Material: Stainless Steel

CM-5918A LED WORK LIGHT 120°C 2-WAY INSTALLATION

IP67 & IP69K | ECE R10 | CE | RoHS | High Luminance Chip

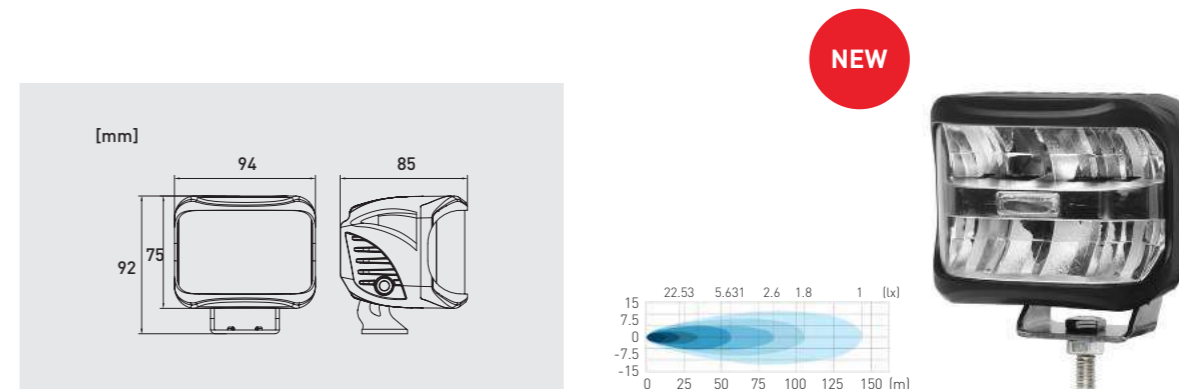


Item No.	Beam Pattern	Wattage	LED CHIP	LED Quantity	Effective Lumen	Raw Lumen
CM-5918A	Spot+Side light	26W	SMD	12+7Pcs	1900LM	2600LM

- Voltage: 10-30V - Housing Material: Aluminum - Bracket Material: Stainless Steel

CM-9046 LED WORK LIGHT

IP67 & IP69K | ECE R10 | CE | RoHS | High Luminance Chip

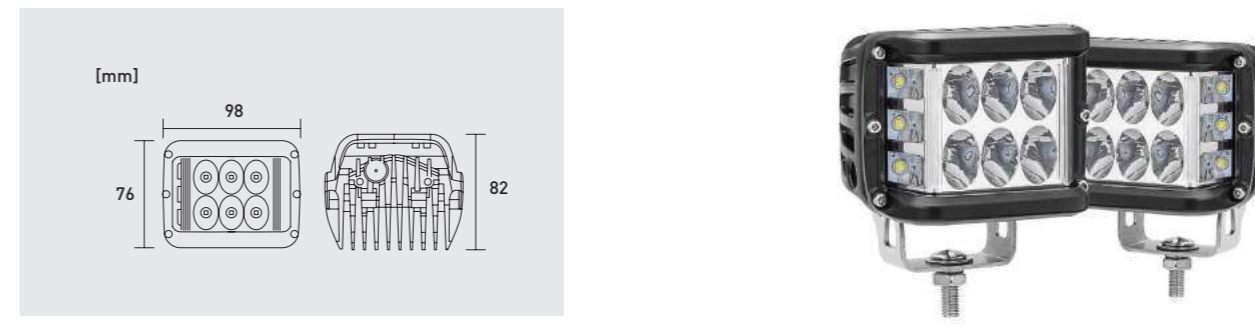


Item No.	Beam Pattern	Wattage	LED CHIP	LED Quantity	Effective Lumen	Raw Lumen
CM-9046	Flood	27W	SMD	8Pcs	1610LM	2100LM

- Voltage: 10-30V - Housing Material: Aluminum - Bracket Material: Stainless Steel

CM-9045 LED WORK LIGHT WITH SIDE LIGHTS

IP67 & IP69K | ECE R10 | CE | RoHS | High Luminance Chip



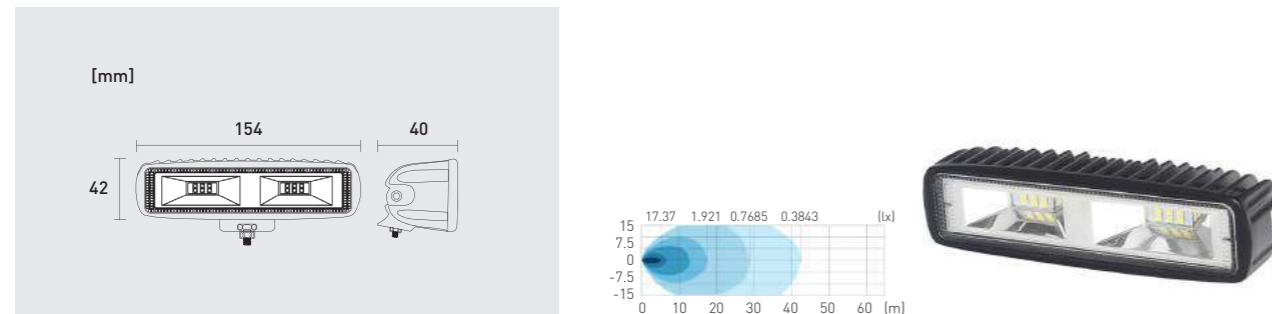
Item No.	Beam Pattern	Wattage	LED CHIP	LED Quantity	Effective Lumen	Raw Lumen
CM-9045	Spot+side light	45W	SMD	6+3Pcs	3000LM	3900LM

- Voltage: 10-30V - Housing Material: Aluminum - Bracket Material: Stainless Steel

YTK CO.,LTD.
Http://www.ytk-group.co.jp

CM-5018D LED WORK LIGHT

IP67 & IP69K | ECE R10 | CE | RoHS | High Luminance Chip

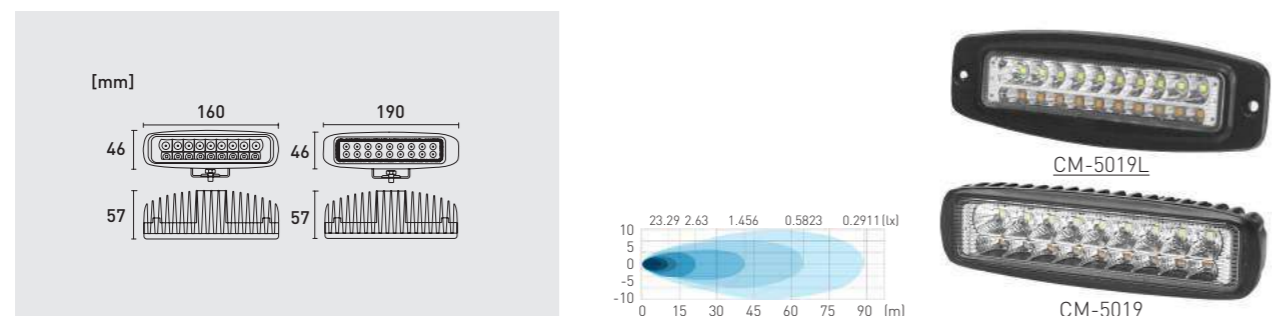


Item No.	Beam Pattern	Wattage	LED CHIP	LED Quantity	Effective Lumen	Raw Lumen
CM-5018D	Flood	18W	SMD	6Pcs	720LM	1200LM

- Voltage: 10-30V - Housing Material: Aluminum - Bracket Material: Stainless Steel

CM-5019/5019L LED WORK LIGHT, DUAL COLOR W+Y

IP67 & IP69K | ECE R10 | CE | RoHS | High Luminance Chip

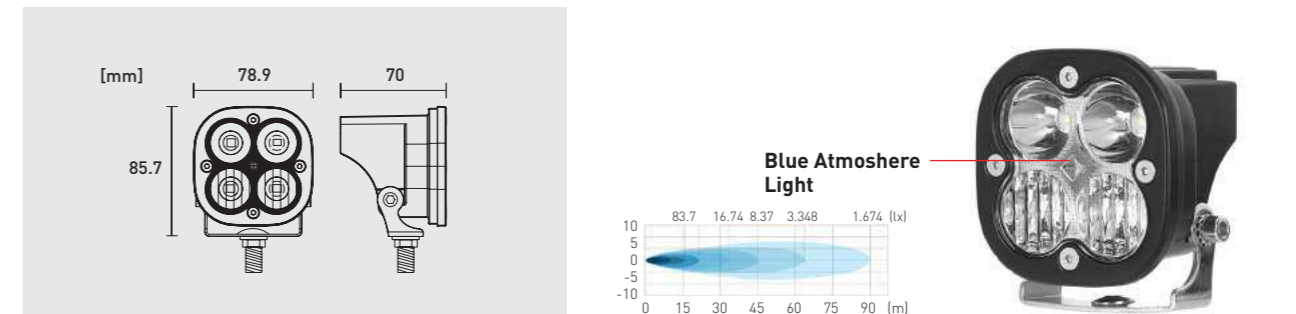


Item No.	Beam Pattern	Wattage	LED CHIP	LED Quantity	Effective Lumen	Raw Lumen
CM-5019	Combo	18W	SMD	18Pcs	W-760LM / Y-430LM	W-1200LM / Y-600LM
CM-5019L	Combo	18W	SMD	18Pcs	W-970LM / Y-560LM	W-1200LM / Y-600LM

- Voltage: 10-30V - Housing Material: Aluminum - Bracket Material: Stainless Steel

CM-5020C LED WORK LIGHT WITH BLUE ATMOSPHERE LIGHT

IP67 & IP69K | ECE R10 | CE | RoHS | High Luminance Chip

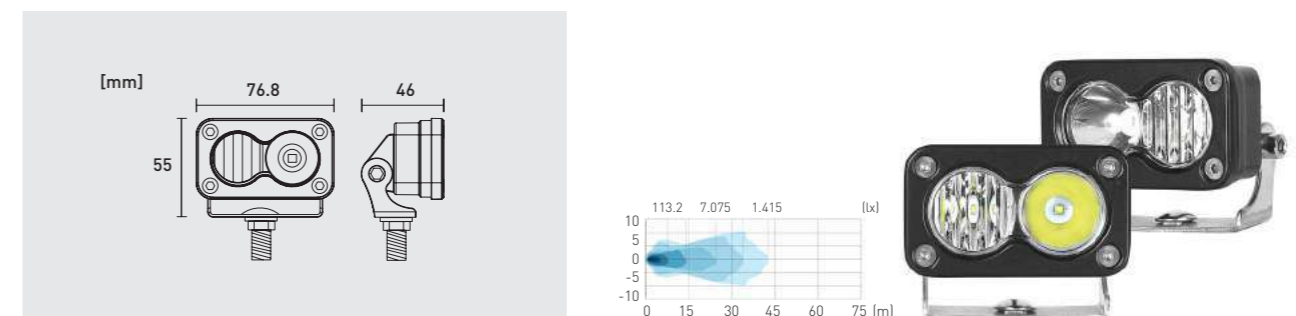


Item No.	Beam Pattern	Wattage	LED CHIP	LED Quantity	Effective Lumen	Raw Lumen
CM-5020C	Combo	20W	SMD	6+1Pcs	1450LM	1800LM

- Voltage: 10-30V - Housing Material: Aluminum - Bracket Material: Stainless Steel

CM-5020F LED WORK LIGHT

IP67 & IP69K | ECE R10 | CE | RoHS | High Luminance Chip



Item No.	Beam Pattern	Wattage	LED CHIP	LED Quantity	Effective Lumen	Raw Lumen
CM-5020F	Combo	9W	SMD	2Pcs	570LM	700LM

- Voltage: 10-30V - Housing Material: Aluminum - Bracket Material: Stainless Steel

YTK CO.,LTD.
Http://www.ytk-group.co.jp