

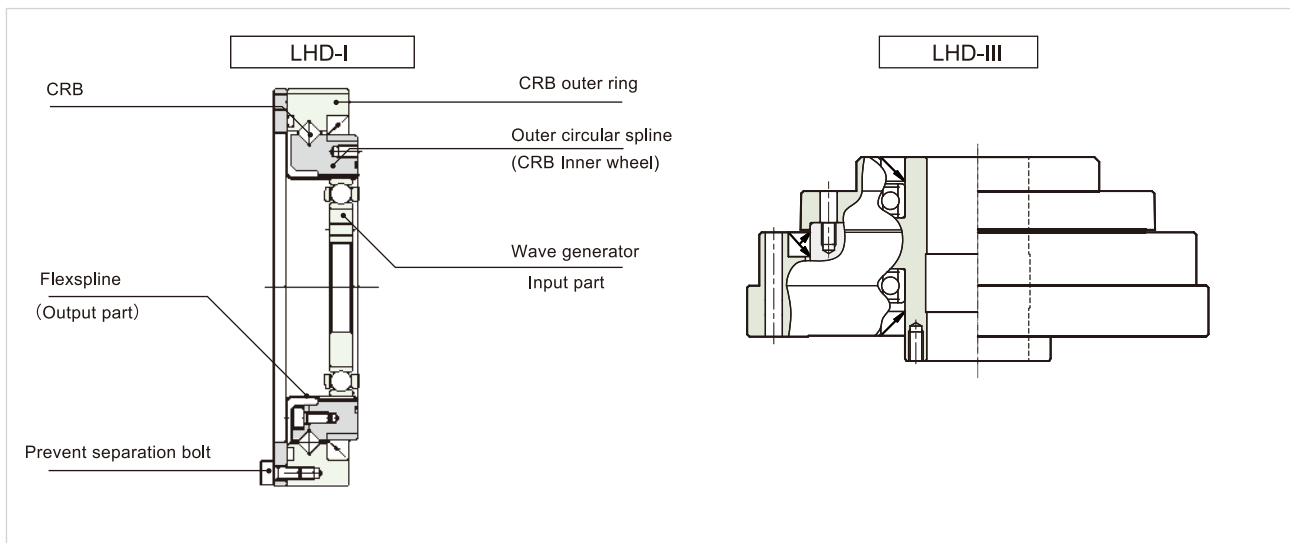
# LHD serie

LHD series' flexspline with flanging ultra short tube structure. Which can be used when circular spline fixed, and the flexspline as end output. It can also used to fix the flexspline, and the circular spline as end output. The axial length of LHD-I is shortened by 50%, LHD-III is shortened by 15%, without changing product performance.

## Application

Industrial robot	Humanoid robot	Semiconductor manufacturing equipment
FPD manufacturing equipment	Space equipment	

## Combinative structure of LHD series

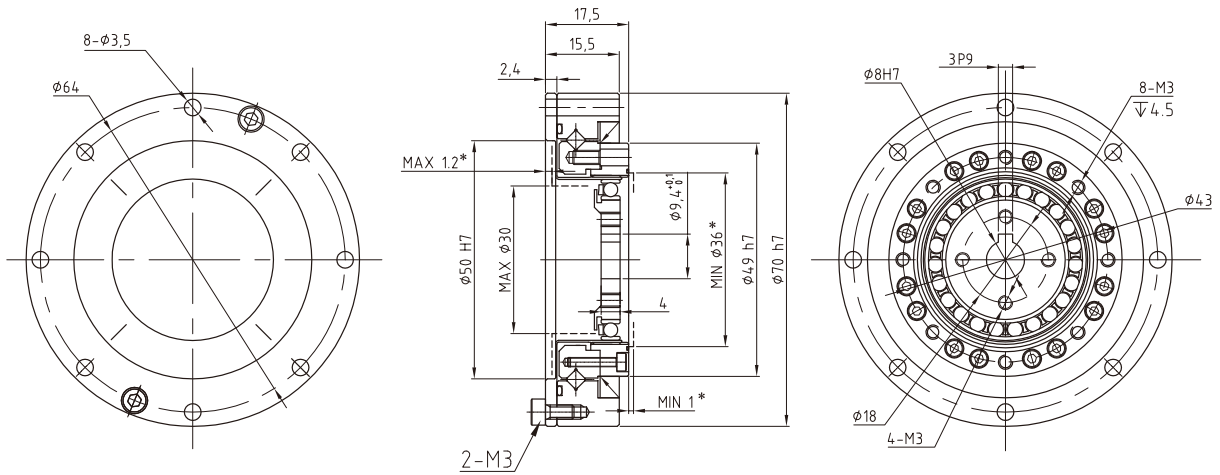


## Rated parameter table of LHD series

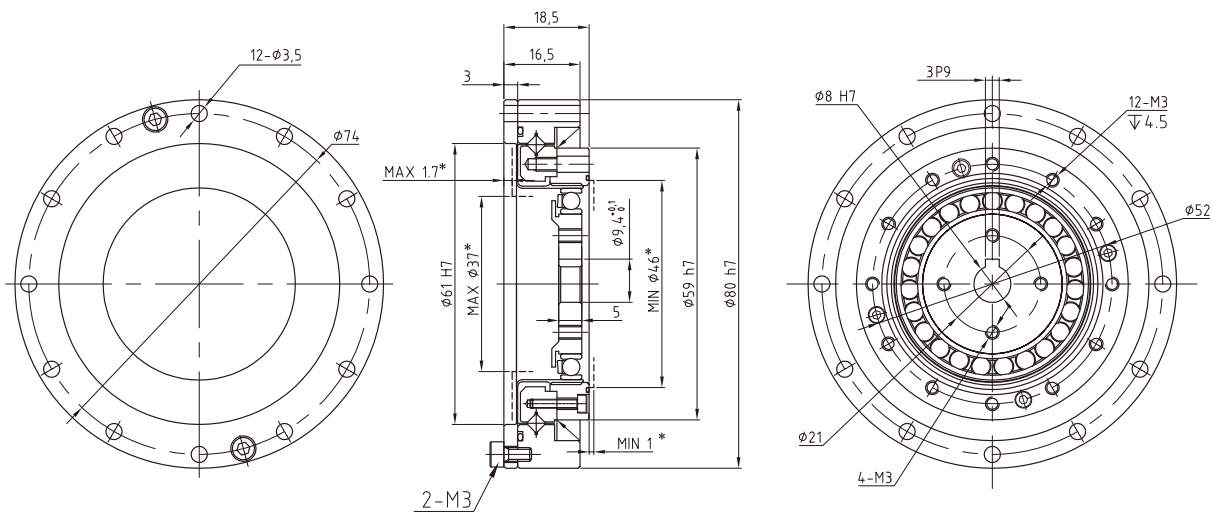
Model	Reduction ratio	Rated torque at 2000r/min input		Permissible peak torque at start and stop		Permissible maximum value for average load torque		Permissible maximum momentary torque		Permissible maximum input rotational speed(Grease)	Permissible average input rotational speed(Grease)	backlash	Design life
		Nm	Kgfm	Nm	Kgfm	Nm	Kgfm	Nm	Kgfm	r/min	r/min	Arc Sec	Hour
14	50	3.7	0.38	12	1.2	4.8	0.49	24	2.4	8500	3500	≤ 30	7000
	80	4.2	0.43	16	1.6	5.9	0.6	31	3.1				
	100	5.4	0.55	19	1.9	7.7	0.79	35	3.6				
17	50	11	1.1	23	2.3	18	1.9	48	4.9	7300	3500	≤ 30	10000
	80	14	1.4	30	3.0	21	2.1	58	5.9				
	100	16	1.6	37	3.8	27	2.8	71	7.2				
20	50	17	1.7	39	4.0	24	2.4	69	7.0	6500	3500	≤ 30	10000
	80	21	2.1	46	4.7	30	3.1	81	8.1				
	100	28	2.9	57	5.8	34	3.5	95	9.7				

# LHD-I size chart

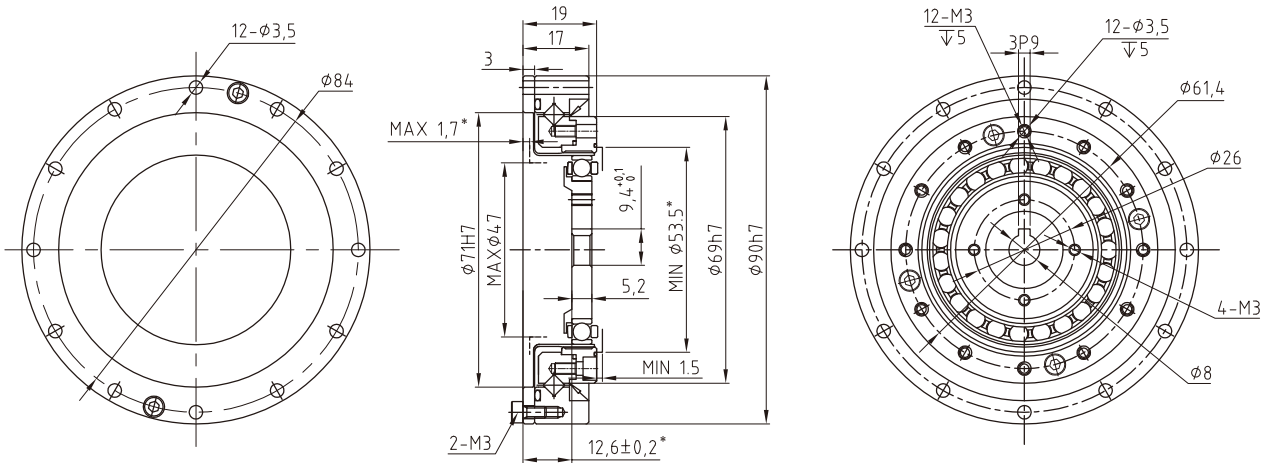
LHD-14-XX-U-I



LHD-17-XX-U-I



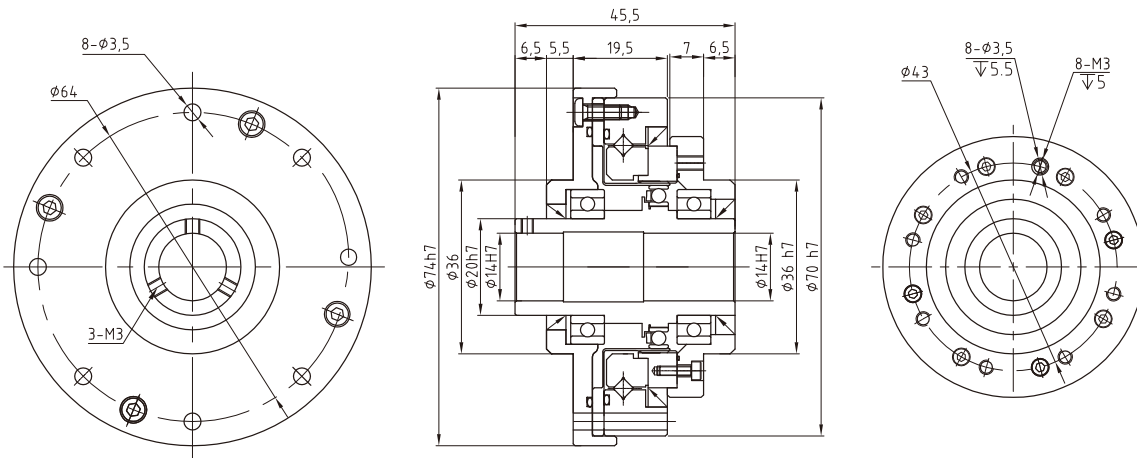
LHD-20-XX-U-I



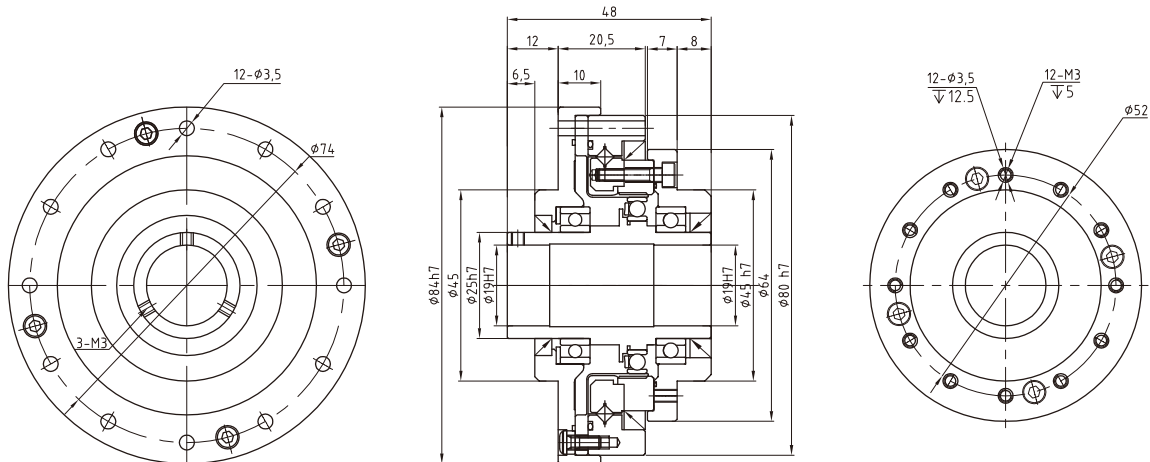
■ For detailed information of product, please confirm it with delivery specification figure.

# LHD-III size chart

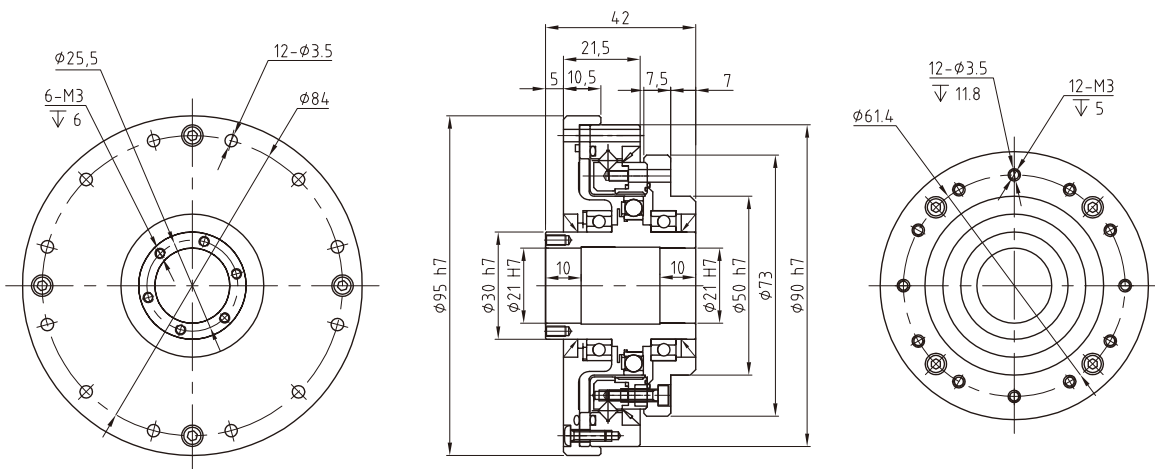
LHD-14-XX-U-III



LHD-17-XX-U-III



LHD-20-XX-U-III



■ For detailed information of product, please confirm it with delivery specification figure.