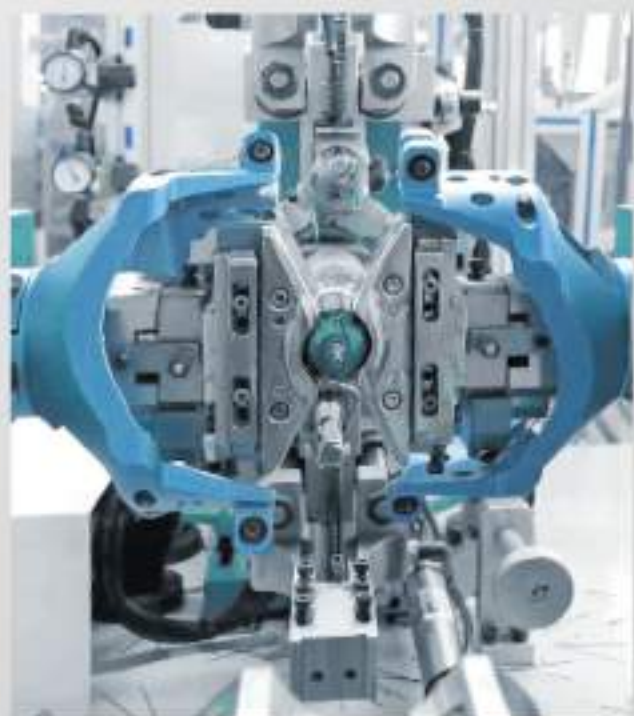


2020-2021

MCMMASTER

PROVIDING MOST COMPREHENSIVE SOLUTIONS



QUALITY
GUARANTEED



PROFESSIONAL
SUPPORTS



PERSONALIZED
SERVICES

McMaster Electric

WE PROVIDE BETTER PRODUCTS AND SERVICES

McMaster's parent company Belmont Technologies Limited(BTL)was founded in 2001, in Fort Wayne Indiana, USA. McMaster was born for online sales. McMaster specializes in electrical motors, gear motors, transmissions drive solutions, pumps, and other industrial products. Our experienced team of engineers and product designers are available to provide solutions to meet your requirements.

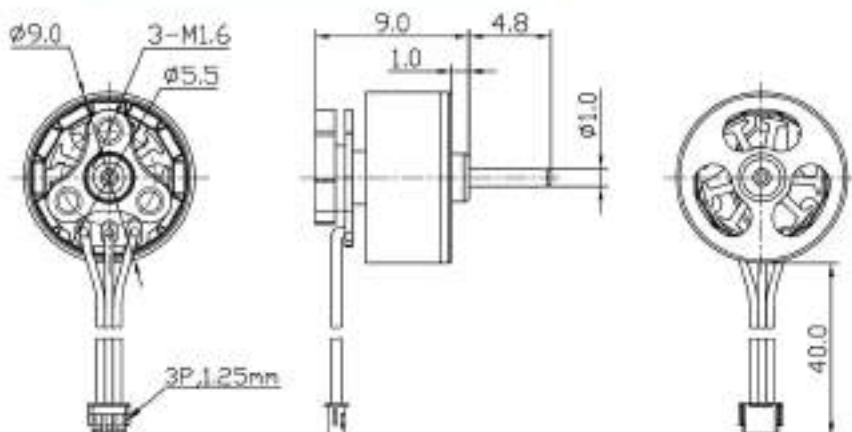
McMaster has developed advanced design software and simulation software to ensure our products will perform with high efficiency and competitive cost. All products McMaster provides are subject to quality control tools like Total Quality Management In addition, many of our products are available with agency approvals like UL/ETL/CSA, TUV, CE. McMaster has manufacturing facilities located in the Changzhou area including several Joint Ventures. Our trading company, Changzhou Belmont International Trading Ltd provides our customers with excellent service and on-time delivery.

Now McMaster is an established, reliable and dependable business partner as evidenced by our many customers in North American and Europe We invite inquiries for OEM and Distributor orders. Whether selecting a product from our catalog or seeking engineering support for your application, talk to us about your requirements.



President

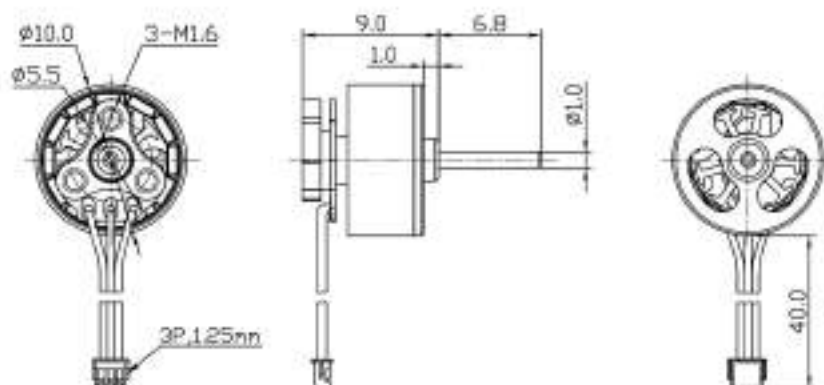
OUTLINE DRAWING



SPECIFICATIONS

MODEL	KV (rpm/V)	Voltage (V)	Prop	Load Current (A)	Pull (g)	Power (W)	Efficiency (g/W)	Lipo Cell	Weight (g) Approx
BMM905	12000	3.7	56mmXØ1.0	1.1	14	4.1	3.4	1-2S	1.7
		7.4		2.3	25	17.0	1.5		
	16000	3.7		1.5	19	5.6	3.4		
		7.4		3.0	33	22.2	1.5		
	22000	3.7		2.0	26	7.4	3.5		
		7.4		3.8	45	28.1	1.6		

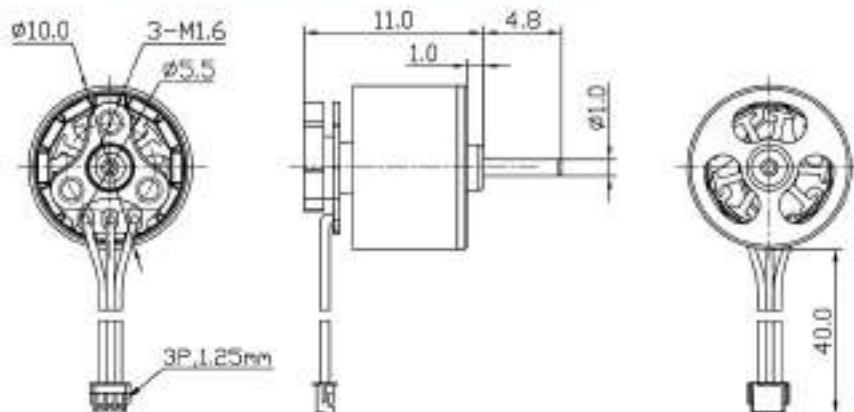
OUTLINE DRAWING



SPECIFICATIONS

MODEL	KV (rpm/V)	Voltage (V)	Prop	Load Current (A)	Pull (g)	Power (W)	Efficiency (g/W)	Lipo Cell	Weight (g) Approx
BMM911	10000	3.7	56mmXØ1.0	1.2	15	4.4	3.4	1-2S	1.9
		7.4		2.9	29	21.5	1.4		
	12000	3.7		1.5	18	5.6	3.2		
		7.4		3.3	34	24.4	1.4		
	15000	3.7		1.8	23	6.7	3.4		
		7.4		3.8	40	28.0	1.4		
	20000	3.7		2.2	28	8.1	3.5		
		7.4		4.3	48	31.8	1.5		

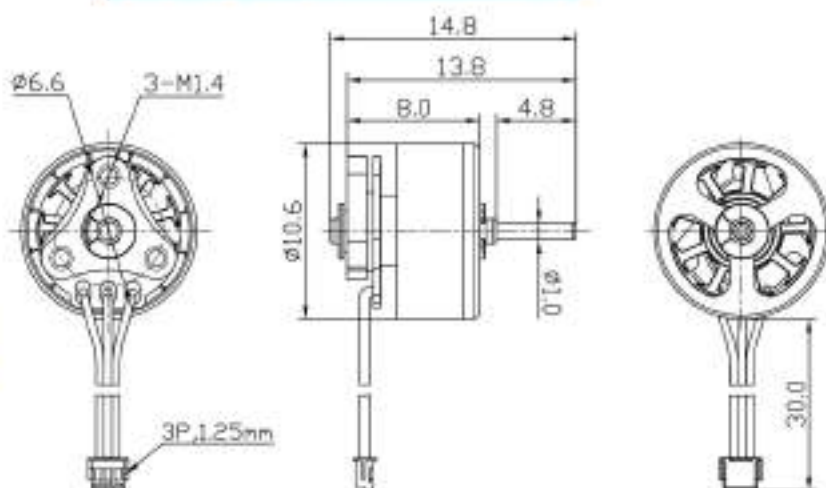
OUTLINE DRAWING



SPECIFICATIONS

MODEL	KV (rpm/V)	Voltage (V)	Prop	Load Current (A)	Pull (g)	Power (W)	Efficiency (g/W)	Lipo Cell	Weight (g) Approx
BMM915	8000	3.7	56mmX ϕ 1.0	1.5	20	5.6	3.6	1-2S	2.75
		7.4		3.2	43	23.7	1.8		
	10000	3.7		1.8	24	6.7	3.6		
		7.4		4.0	52	29.6	1.8		
	12000	3.7		2.3	28	8.5	3.3		
		7.4		4.9	60	36.0	1.7		

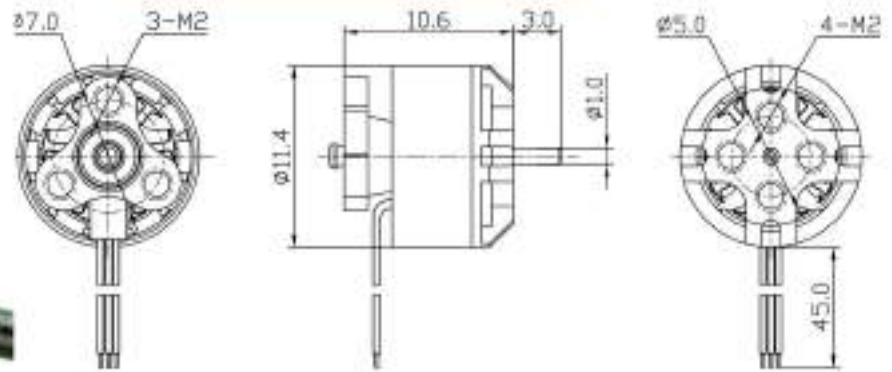
OUTLINE DRAWING



SPECIFICATIONS

MODEL	KV (rpm/V)	Prop	Shaft diameter (mm)	Poles	Slots	Motor size (mm)	Lipo Cell	Weight (g) Approx
BMM917	15000	35mm, 4叶	ϕ 1.0	12	9	ϕ 10.6X8.0	2S	1.95
	19500	31mm, 4叶	ϕ 1.0	12	9	ϕ 10.6X8.0	1~2S	
	25000	35mm, 4叶	ϕ 1.0	12	9	ϕ 10.6X8.0	1S	

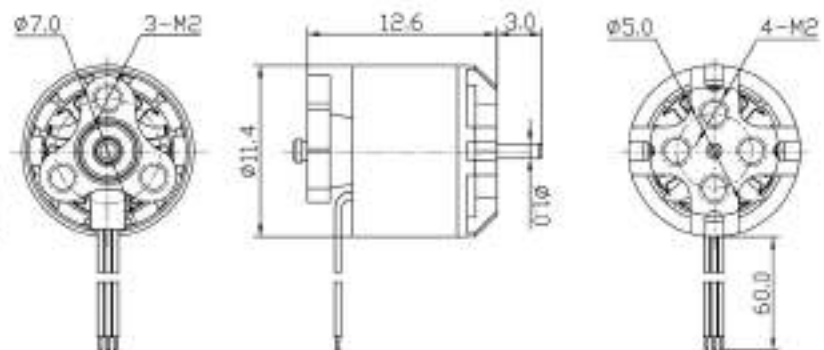
OUTLINE DRAWING



SPECIFICATIONS

MODEL	KV (rpm/V)	Voltage (V)	Prop	Load Current (A)	Pull (g)	Power (W)	Efficiency (g/W)	Lipo Cell	Weight (g) Approx
BMM918	12000	3.7	2035	5.8	55	21.5	2.6	1~2S	3.3
		7.4	1940	8.2	92	60.0	1.5		
	15000	3.7	1940	5.1	56	18.9	3.0		
		7.4		8.8	96	65.0	1.5		

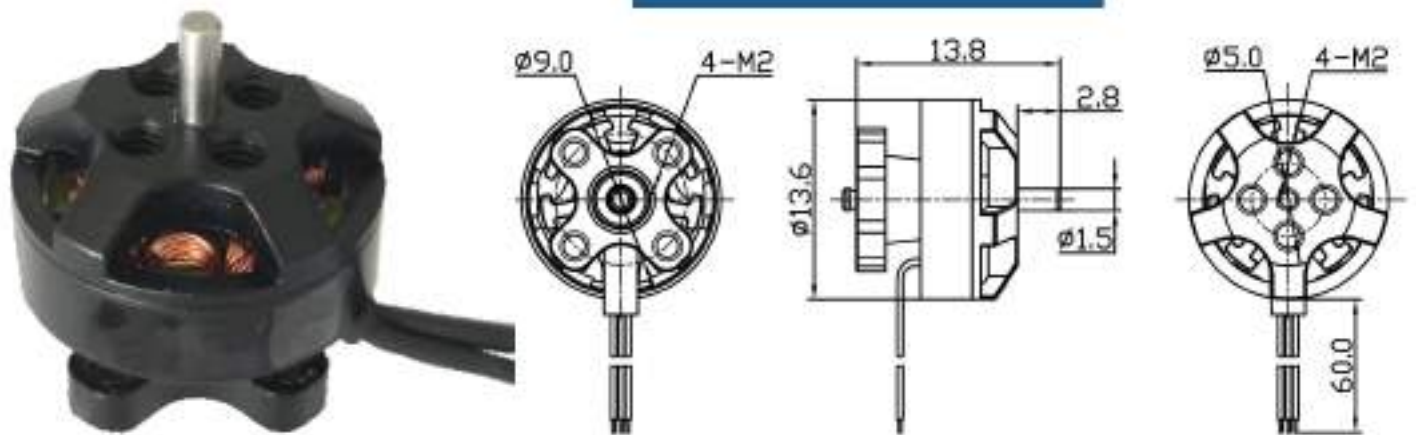
OUTLINE DRAWING



SPECIFICATIONS

MODEL	KV (rpm/V)	Voltage (V)	Prop	Load Current (A)	Pull (g)	Power (W)	Efficiency (g/W)	Lipo Cell	Weight (g) Approx
BMM919	8000	3.7	1940	5.5	53	20.3	2.6	1~2S	4.15
		7.4		9.2	88	68.0	1.3		
	10000	3.7	1940	6.3	62	23.3	2.7		
		7.4		9.8	97	72.5	1.3		

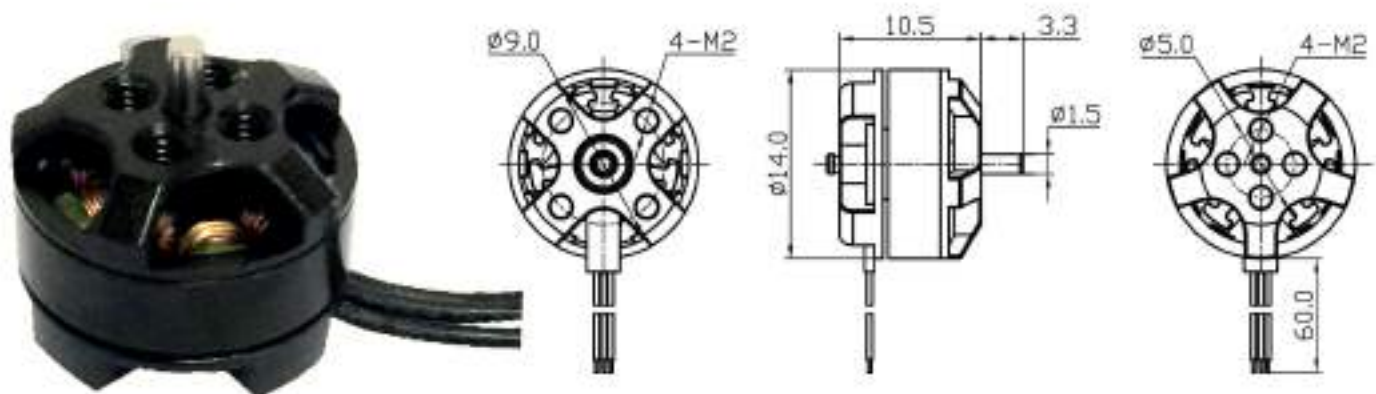
OUTLINE DRAWING



SPECIFICATIONS

MODEL	KV (rpm/V)	Voltage (V)	Prop	Load Current (A)	Pull (g)	Power (W)	Efficiency (g/W)	Lipo Cell	Weight (g) Approx
BMM921	6500	7.4	3020	2.8	45	20.7	2.2	1-3S	3.7
		11.1		3.6	72	40.0	1.8		
	8000	3.7	3020	2.0	30	7.4	4.0		
		7.4		3.9	58	28.9	2.0		
		11.1	2030	4.7	78	52.2	1.5		
	10000	3.7	3020	2.9	32	10.7	3.0		
		7.4		5.2	63	38.5	1.6		
		11.1	2030	5.8	90	64.4	1.4		

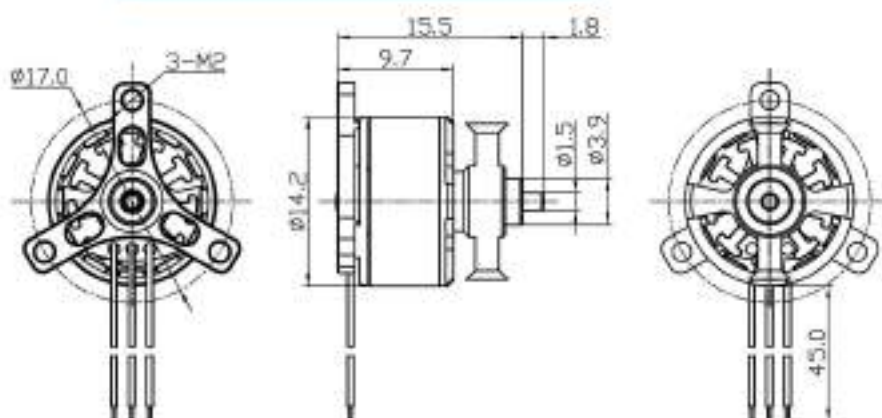
OUTLINE DRAWING



SPECIFICATIONS

MODEL	KV (rpm/V)	Voltage (V)	Prop	Load Current (A)	Pull (g)	Power (W)	Efficiency (g/W)	Lipo Cell	Weight (g) Approx
BMM924	6500	7.4	3020	2.8	45	20.7	2.2	1-3S	3.8
		11.1		3.6	72	40.0	1.8		
	8000	3.7	3020	2.0	30	7.4	4.0		
		7.4		3.9	58	28.9	2.0		
		11.1	2030	4.7	78	52.2	1.5		
	10000	3.7	3020	2.9	32	10.7	3.0		
		7.4		5.2	63	38.5	1.6		
		11.1	2030	5.8	90	64.4	1.4		

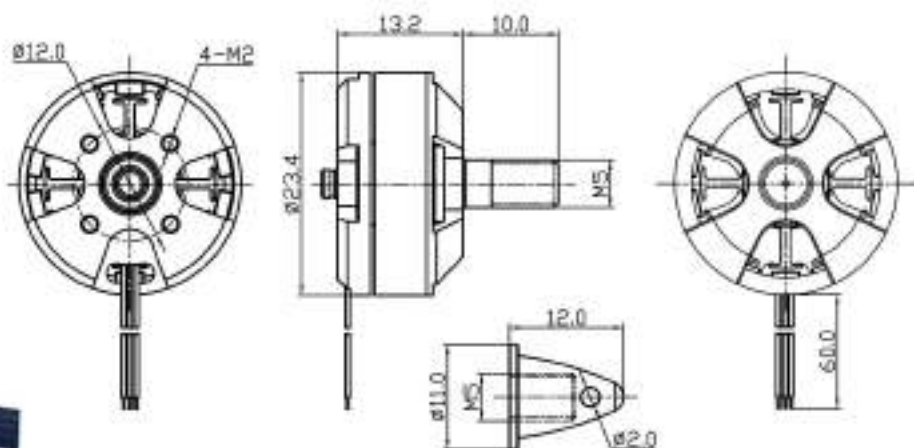
OUTLINE DRAWING



SPECIFICATIONS

MODEL	KV (rpm/V)	Voltage (V)	Prop	Load Current (A)	Pull (g)	Power (W)	Efficiency (g/W)	Lipo Cell	Weight (g) Approx
BMM926	4300	3.7	4040	2.1	35	7.6	4.6	1-2S	5.0
			4530	2.3	48	8.5	5.6		
			5030	2.8	55	10.4	5.3		

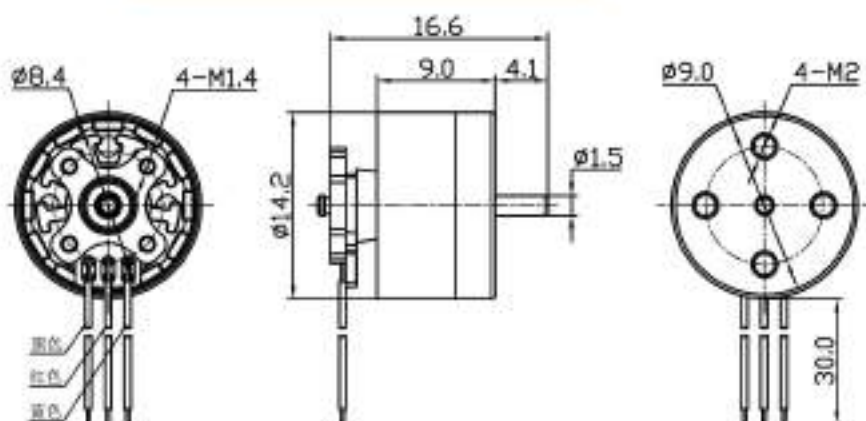
OUTLINE DRAWING



SPECIFICATIONS

MODEL	KV (rpm/V)	Voltage (V)	Prop	Load Current (A)	Pull (g)	Power (W)	Efficiency (g/W)	Lipo Cell	Weight (g) Approx
BMM927	2480	11.1	4045	6.5	280	72	3.9	1-3S	14
			5045	7.2	305	80	3.8		

OUTLINE DRAWING

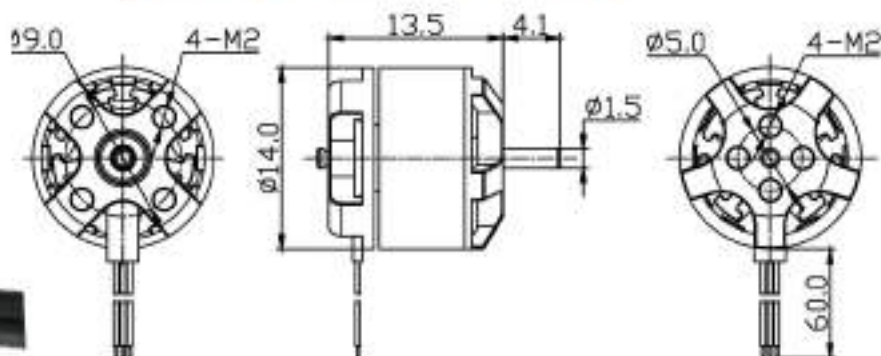


SPECIFICATIONS

MODEL	KV (rpm/V)	Voltage (V)	Prop	Throttle	Load Current (A)	Pull (g)	Power (W)	Efficiency (g/W)	Lipo Cell	Weight (g) Approx
BMM913	4000	7.4	3020	100%	2.8	75	21.0	3.6	1-2S	5.9



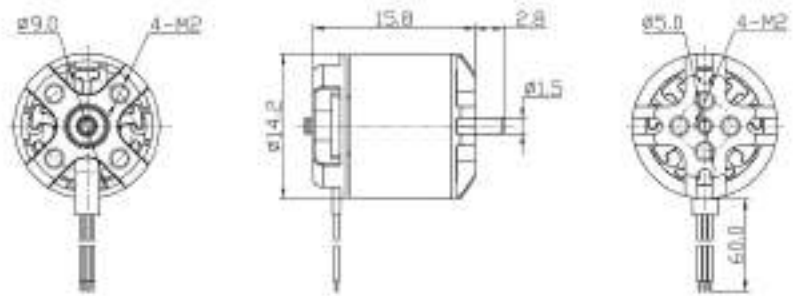
OUTLINE DRAWING



SPECIFICATIONS

MODEL	KV (rpm/V)	Voltage (V)	Prop	Load Current (A)	Pull (g)	Power (W)	Efficiency (g/W)	Lipo Cell	Weight (g) Approx
BMM928	3800	7.4	3020	2.3	60	16	3.8	1-3S	6.5
		11.1		4.4	118	46	2.6		

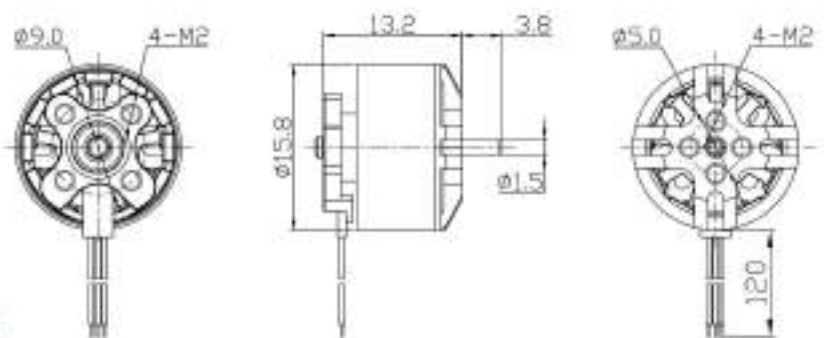
OUTLINE DRAWING



SPECIFICATIONS

MODEL	KV (rpm/V)	Voltage (V)	Prop	Load Current (A)	Pull (g)	Power (W)	Efficiency (g/W)	Lipo Cell	Weight (g) Approx
BMM930	4000	7.4	3020	4.8	140	35.5	3.9	2-3S	8.5
		11.1		6.5	220	72.0	3.1		
	6800	7.4		14.5	280	107	2.6	1-2S	

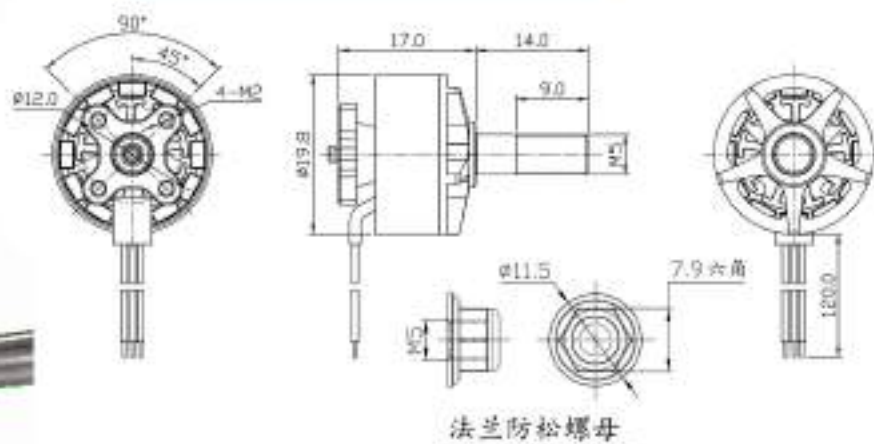
OUTLINE DRAWING



SPECIFICATIONS

MODEL	KV (rpm/V)	Voltage (V)	Prop	Load Current (A)	Pull (g)	Power (W)	Efficiency (g/W)	Lipo Cell	Weight (g) Approx
BMM934	4500	11.1	3024	11.5	275	128	2.1	1-3S	9.2
			2540	7.6	228	84	2.7		
	6000	7.4	3024	12.3	235	91	2.6		
		11.1	2540	14.7	320	163	2.0		
	7500	11.1	2040	13.5	248	150	1.7		
		7.4	2540	12.6	237	93	2.5		

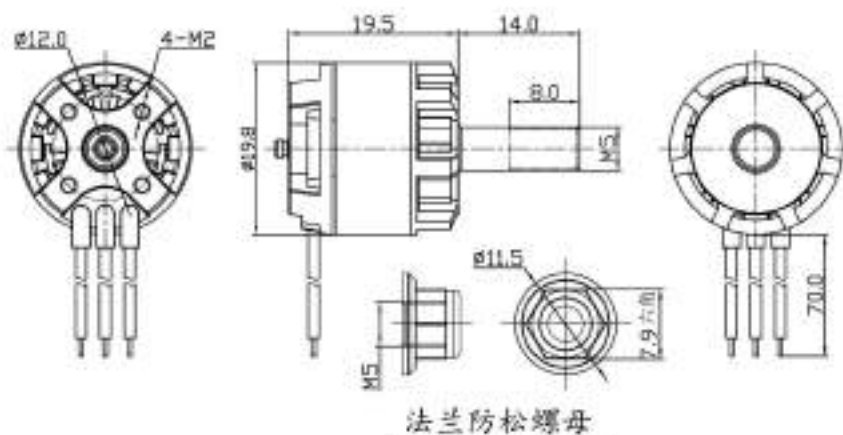
OUTLINE DRAWING



SPECIFICATIONS

MODEL	KV (rpm/V)	Voltage (V)	Prop	Load Current (A)	Pull (g)	Power (W)	Efficiency (g/W)	Lipo Cell	Weight (g) Approx
BMM937	2600	11.1	30509三叶桨	8.8	250	98	2.6	2-4S	15
		14.8		11.0	312	163	1.9		

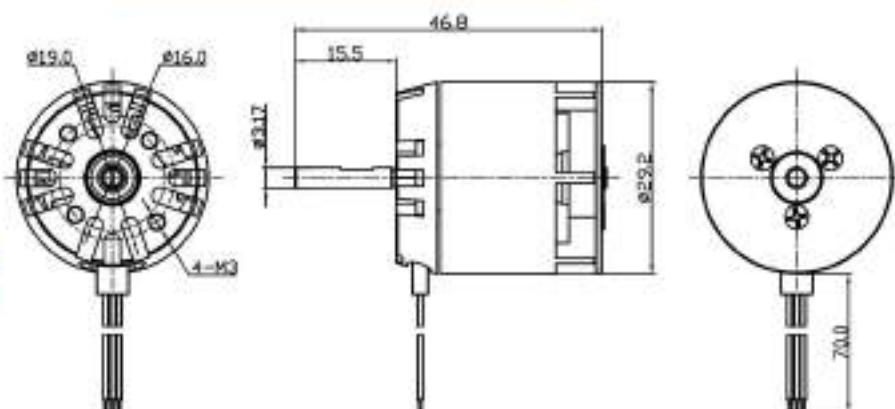
OUTLINE DRAWING



SPECIFICATIONS

MODEL	KV (rpm/V)	Voltage (V)	Prop	Load Current (A)	Pull (g)	Power (W)	Efficiency (g/W)	Lipo Cell	Weight (g) Approx
BMM938	3500	7.4		6.8	165	48	3.4	2-3S	17
		11.1		10.9	270	115	2.4		
		7.4		5.8	185	41	4.5		
		11.1		9.2	330	97	3.4		

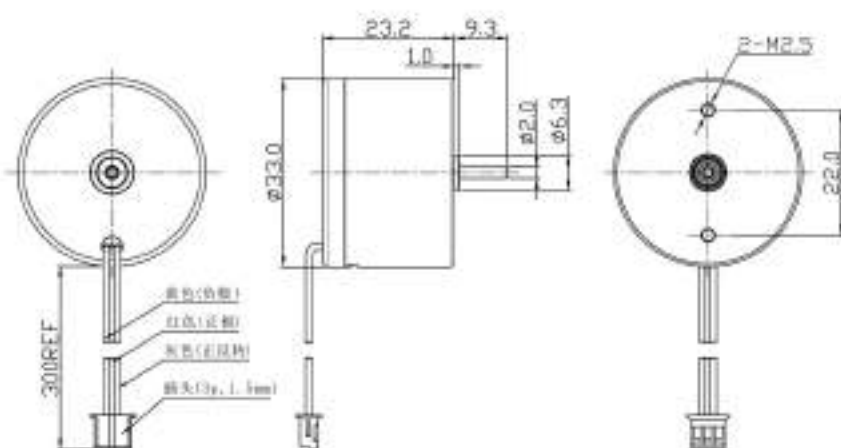
OUTLINE DRAWING



SPECIFICATIONS

MODEL	KV (rpm/V)	Voltage (V)	No Load Current (A)	Max Current (A)	Max Power (W)	Applicable Gear	Lipo Cell	Weight (g) Approx
BMM939	3600	11.1V	0.3	35	380	11T/12T/13T	2-4S	65
	4000		0.4	44	470			

OUTLINE DRAWING

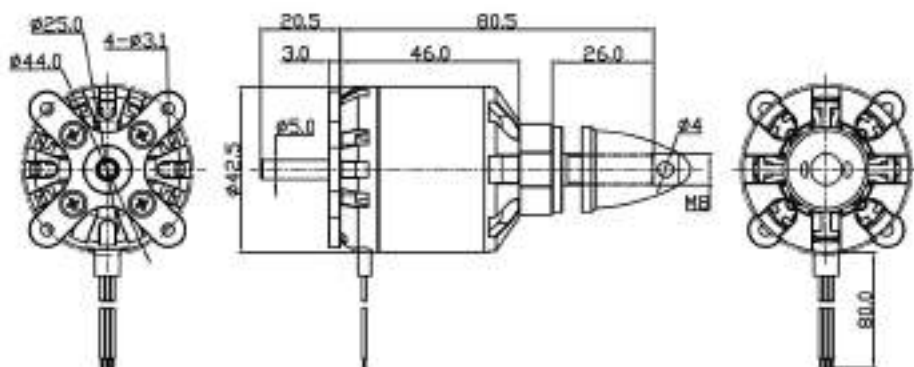


SPECIFICATIONS

Weight: (43g) Approx

MODEL	Voltage (V)		No Load		Rated Load				Starting	
	Operating Range	Rated	Speed (rpm)	Current (mA)	Torque (mNm)	Speed (rpm)	Current (mA)	Output P. (W)	Torque (mNm)	Current (mA)
BMM943	2.0-6.0	3.0	1000	30	2.6	750	72	0.15	11.8	240

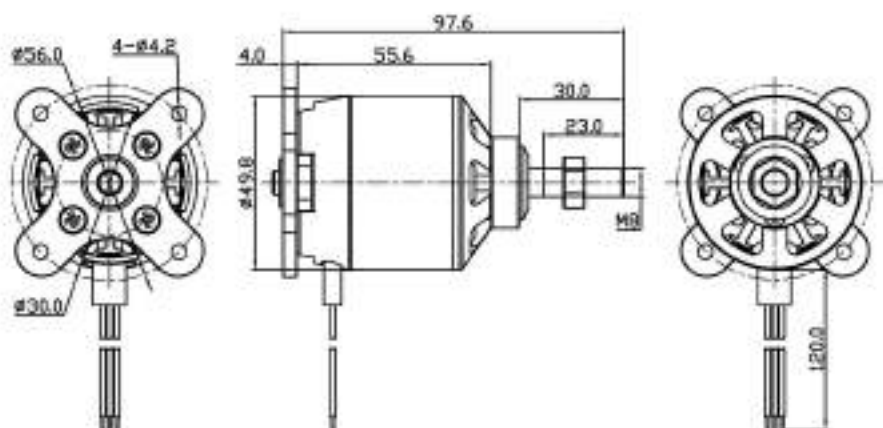
OUTLINE DRAWING



SPECIFICATIONS

MODEL	KV (rpm/V)	Voltage (V)	Prop	Load Current (A)	Pull (g)	Power (W)	Efficiency (g/W)	Lipo Cell	Weight (g) Approx
BMM944	710	22.2	12X5	45	3120	1000	3.1	3-7S	210
	800	18.5	11X5.5	48	2850	890	3.2		

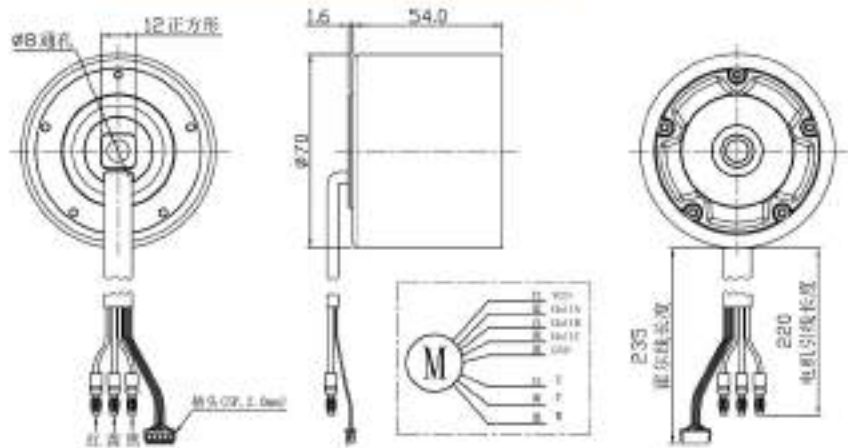
OUTLINE DRAWING



SPECIFICATIONS

MODEL	KV (rpm/V)	Voltage (V)	Prop	Load Current (A)	Pull (g)	Power (W)	Efficiency (g/W)	Lipo Cell	Weight (g) Approx
BMM945	570	22.2	16X6	72	5250	1600	3.2	4-10S	360

OUTLINE DRAWING

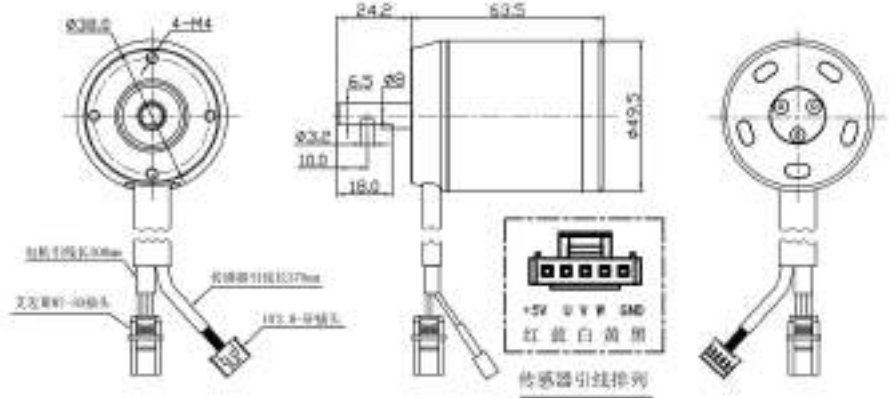


SPECIFICATIONS

MODEL	KV (rpm/V)	Voltage (V)	Load Current (A)	Load Speed (rpm)	Torque (kg. cm)	Power (W)	Stall Current (A)	Stall Torque (kg. cm)	Max Power (W)	Weight (g) Approx
BMM932	90	24V	4.2	1780	3.0	86	19.5	28	400	560
	58	36V	3.0	1850	3.8	95	17.2	35	530	



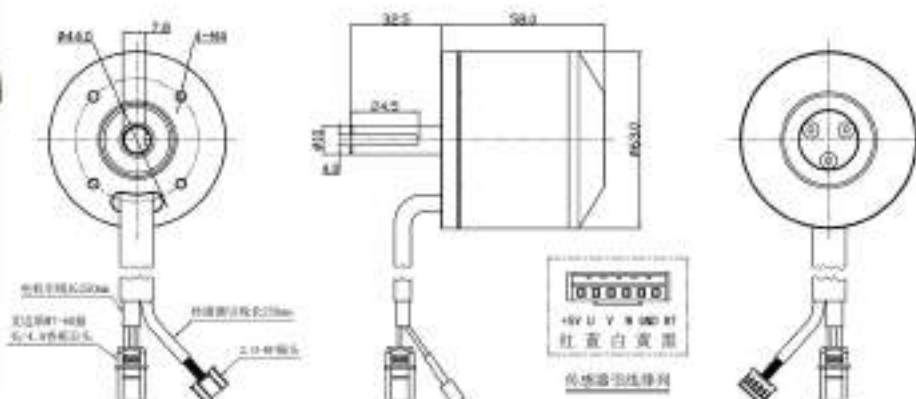
OUTLINE DRAWING



SPECIFICATIONS

MODEL	KV (rpm/V)	Voltage (V)	No Load Current (A)	No Load Speed (rpm)	Max Current (A)	Max Power (W)	Lipo Cell	Weight (g) Approx
BMM931	140	36V	0.6	5200	34	1200	6-12S	480
	200		0.9	7220	46	1650		

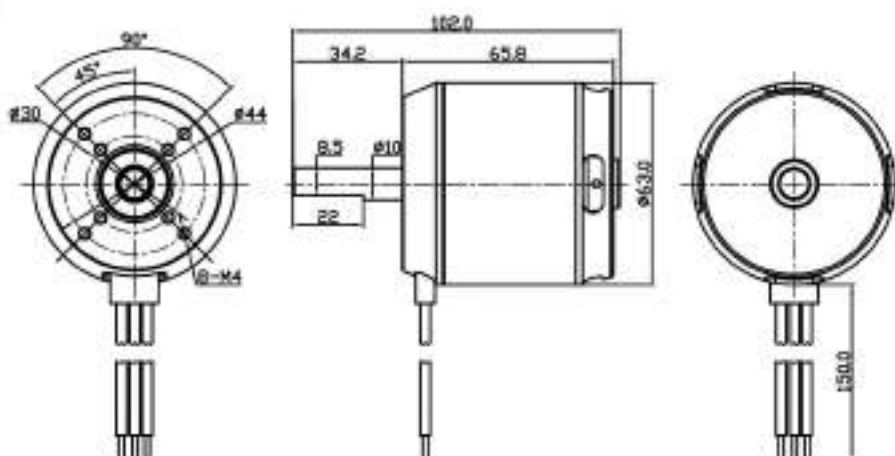
OUTLINE DRAWING



SPECIFICATIONS

MODEL	KV (rpm/V)	Voltage (V)	No Load Current (A)	No Load Speed (rpm)	Max Current (A)	Max Power (W)	Lipo Cell	Weight (g) Approx
BMM946	205	24V	1.2	4960	37	880	6-12S	660
		36V	1.3	5980	56	2010		

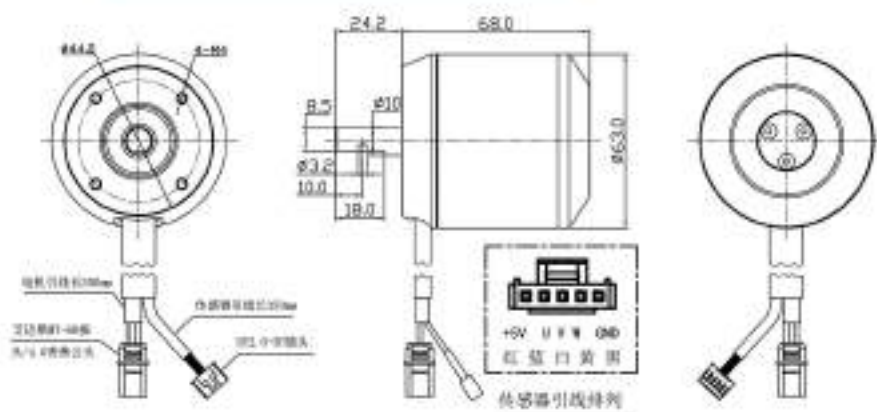
OUTLINE DRAWING



SPECIFICATIONS

MODEL	KV (rpm/V)	Voltage (V)	Load Current (A)	Power (W)	Max Current (A)	Max Power (W)	Lipo Cell	Weight (g) Approx
BMM947	190	36V	24.0	864	65	2340	6-12S	670
		24V	20.0	480	60	1440		
	280	36V	32.0	1152	90	3240		

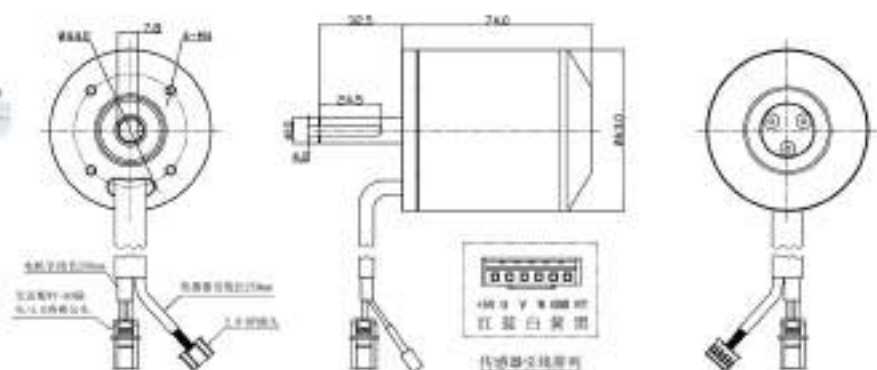
OUTLINE DRAWING



SPECIFICATIONS

MODEL	KV (rpm/V)	Voltage (V)	Load Current (A)	Power (W)	Max Current (A)	Max Power (W)	Lipo Cell	Weight (g) Approx
BMM948	280	24V	20.0	480	60	1440	6-12S	745
		36V	32.0	1152	90	3240		

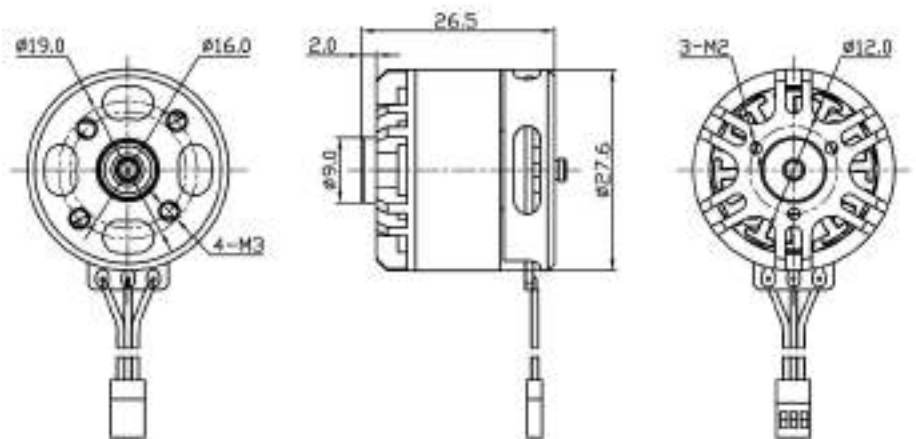
OUTLINE DRAWING



SPECIFICATIONS

MODEL	KV (rpm/V)	Voltage (V)	No Load Current (A)	No Load Speed (rpm)	Max Current (A)	Max Power (W)	Lipo Cell	Weight (g) Approx
BMM949	210	24V	2.0	5050	52	1250	6-12S	930
		36V	2.2	6040	73	2620		

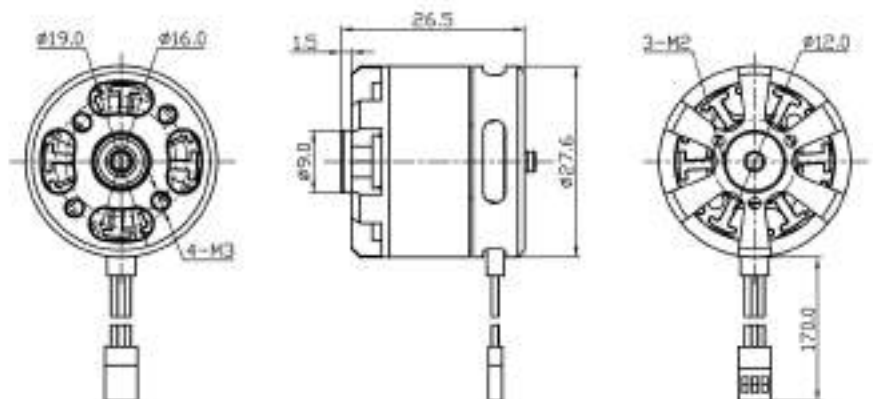
OUTLINE DRAWING



SPECIFICATIONS

MODEL	Turns	Voltage (V)	Wire (mm)	Camera Range	Poles	Slots	Ri (Ω)	Lipo Cell	Weight (g) Approx
BMM903	70	11.1	0.16	GoPro	14	12	11.1	2-4S	38
	100	11.1	0.14		14	12	21.2		

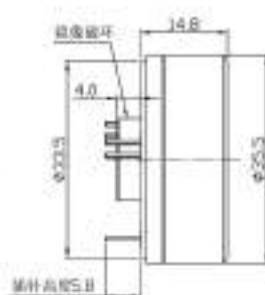
OUTLINE DRAWING



SPECIFICATIONS

MODEL	Turns	Voltage (V)	Wire (mm)	Camera Range	Poles	Slots	Ri (Ω)	Lipo Cell	Weight (g) Approx
BMM906	70	11.1	0.16	GoPro	14	12	11.1	2-4S	38
	100	11.1	0.14		14	12	21.2		

OUTLINE DRAWING



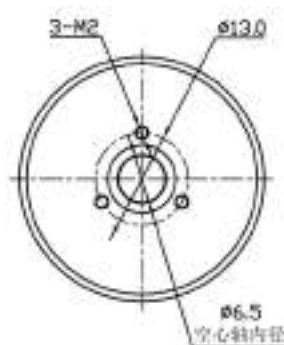
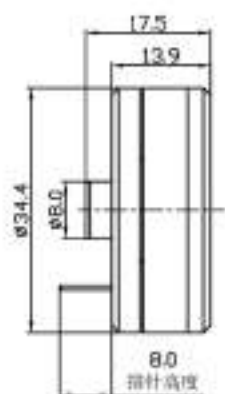
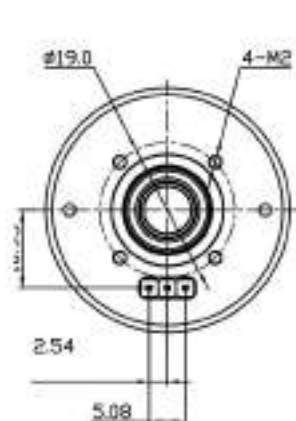
内部限位320度/180度

SPECIFICATIONS

MODEL	Turns	Voltage (V)	Wire (mm)	Uses	Poles	Slots	Ri (Ω)	Lipo Cell	Weight (g) Approx
BMM950	75	11.1	0.23	Three-axis hand-held platform	14	12	5.0	2-4S	36



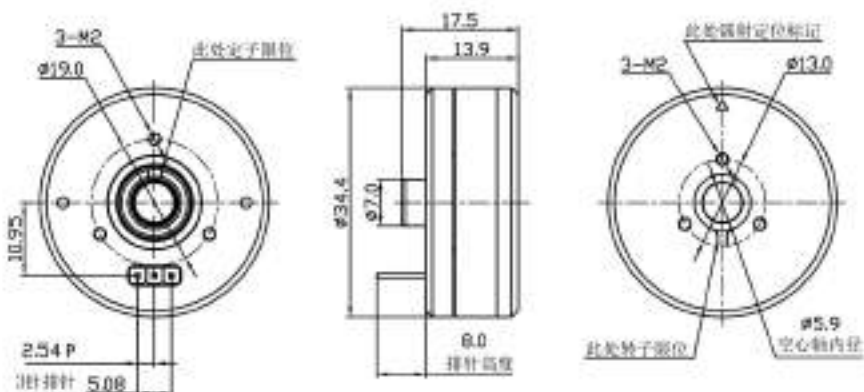
OUTLINE DRAWING



SPECIFICATIONS

MODEL	Turns	Voltage (V)	Wire (mm)	Camera Range	Poles	Slots	Ri (Ω)	Lipo Cell	Weight (g) Approx
BMM907	80	11.1	0.22	Handheld platform	14	12	5.8	2-4S	38

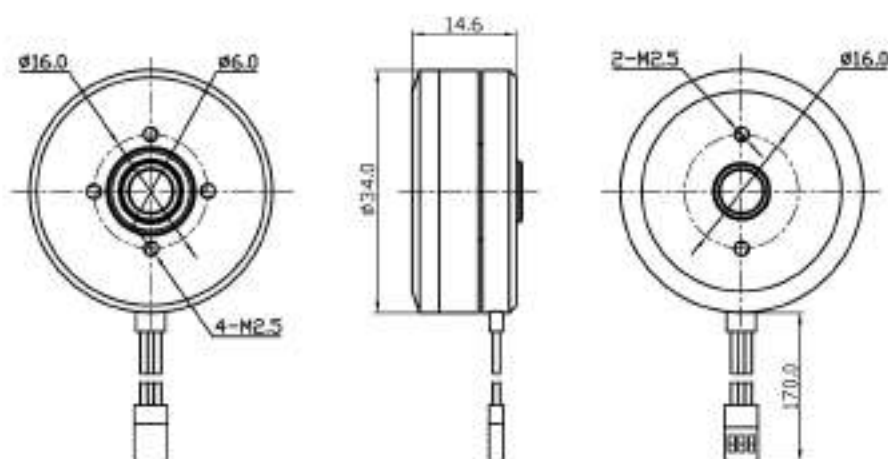
OUTLINE DRAWING



SPECIFICATIONS

MODEL	Turns	Voltage (V)	Wire (mm)	Camera Range	Poles	Slots	Ri (Ω)	Lipo Cell	Weight (g) Approx
BMM908	80	11.1	0.22	Handheld platform	14	12	5.8	2-4S	38

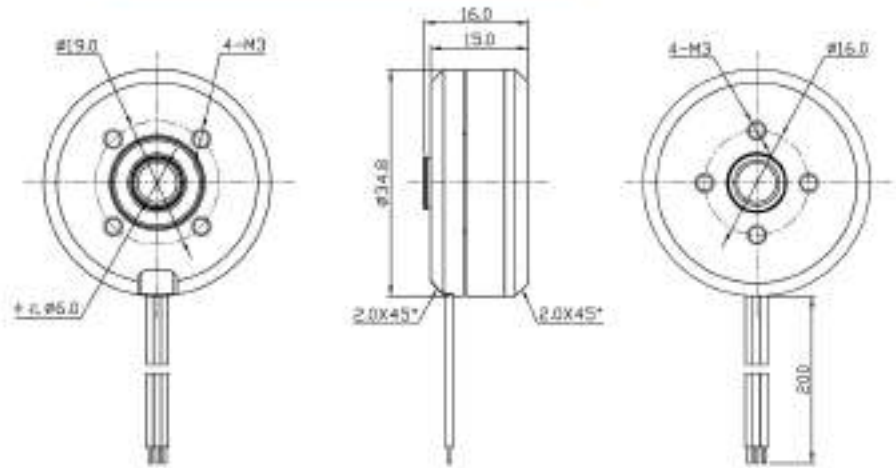
OUTLINE DRAWING



SPECIFICATIONS

MODEL	Turns	Voltage (V)	Wire (mm)	Camera Range	Poles	Slots	Ri (Ω)	Lipo Cell	Weight (g) Approx
BMM904	100	11.1	0.19	Gopro	14	12	9.8	2-4S	36

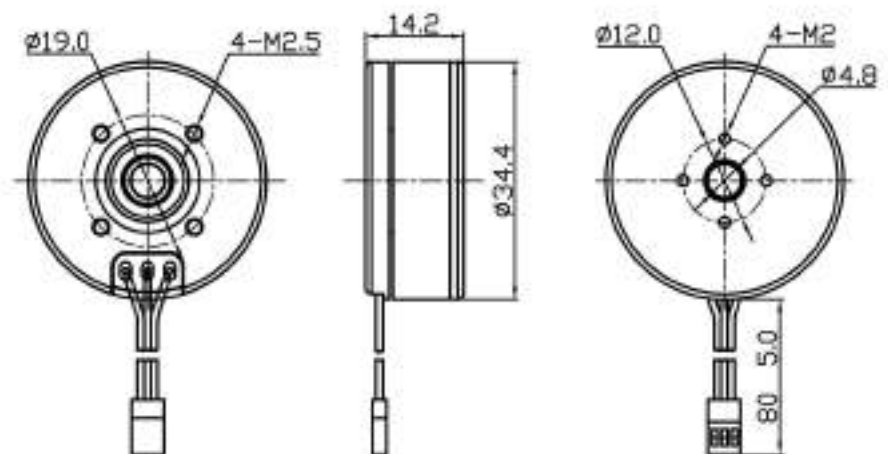
OUTLINE DRAWING



SPECIFICATIONS

MODEL	Turns	Voltage (V)	Wire(mm)	Uses	Poles	Slots	Ri (Ω)	Lipo Cell	Weight (g) Approx
BMM951	110	11.1	0.2	Three-axis hand-held platform	14	12	9.3	2-4S	43

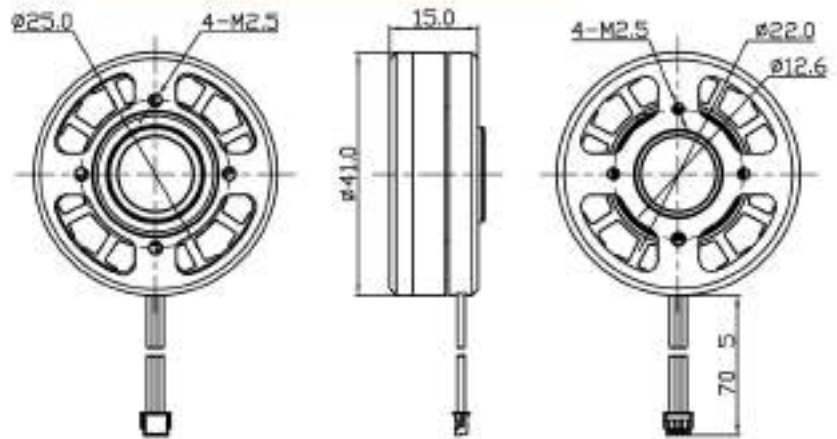
OUTLINE DRAWING



SPECIFICATIONS

MODEL	Turns	Voltage (V)	Wire(mm)	Camera Range	Poles	Slots	Ri (Ω)	Lipo Cell	Weight (g) Approx
BMM909	100	11.1	0.16	Gopro4	14	12	13.5	3-6S	38
	130	14.8	0.14		14	12	22.0		

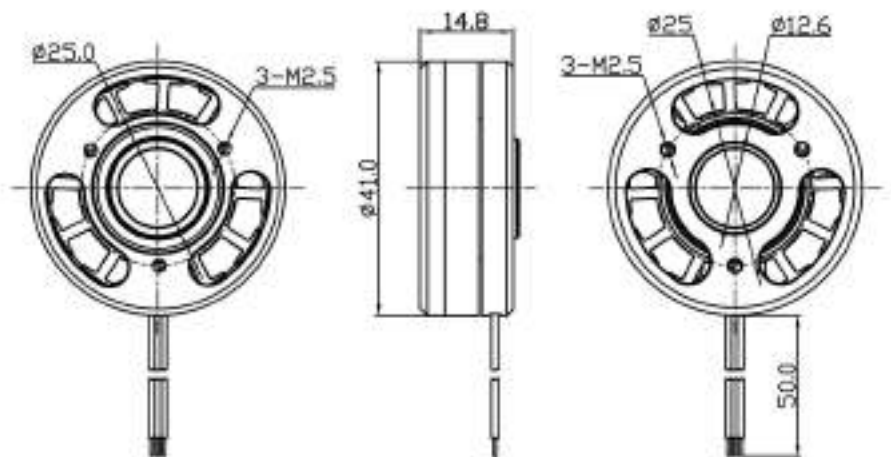
OUTLINE DRAWING



SPECIFICATIONS

MODEL	Turns	Voltage (V)	Wire(mm)	Camera Range	Poles	Slots	Ri (Ω)	Lipo Cell	Weight (g) Approx
BMM910	90	11.1	0.16	Gopro4/Similar	14	12	10.4	2-4S	44

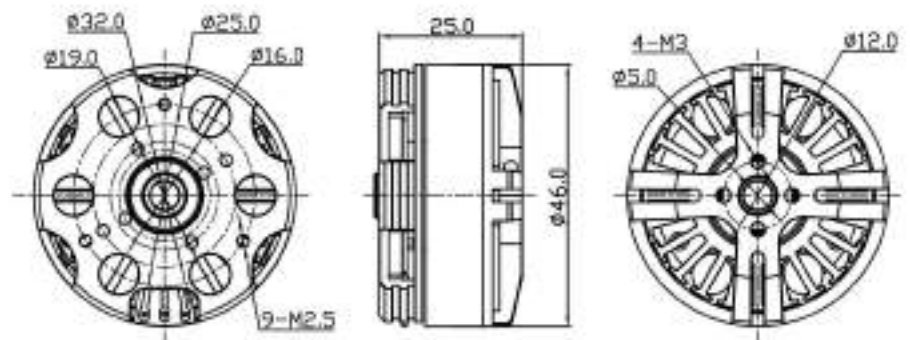
OUTLINE DRAWING



SPECIFICATIONS

MODEL	Turns	Voltage (V)	Wire(mm)	Camera Range	Poles	Slots	Ri (Ω)	Lipo Cell	Weight (g) Approx
BMM925	90	11.1	0.16	Gopro4/Similar	14	12	10.4	2-4S	44

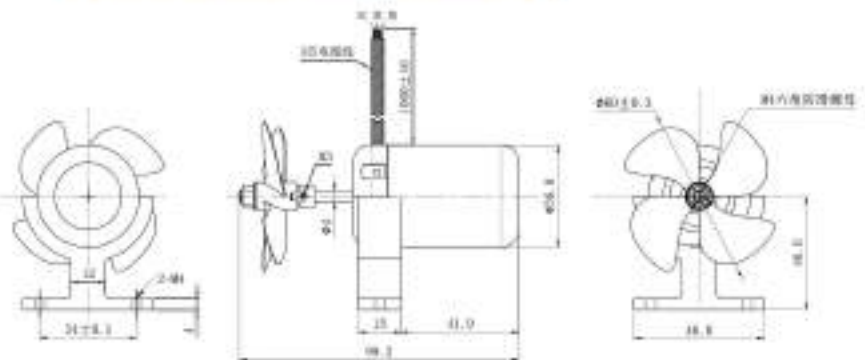
OUTLINE DRAWING



SPECIFICATIONS

MODEL	Turns	Voltage (V)	Wire(mm)	Camera Range	Poles	Slots	Ri (Ω)	Lipo Cell	Weight (g) Approx
BMM912	130	22.2	0.15	Nex6/Similar	22	24	17.0	3-6S	90

OUTLINE DRAWING



用途：
1:水下推进器、机器人；
2:水上游乐设备。

SPECIFICATIONS

MODEL	KV (rpm/V)	Voltage (V)	No Load Current (A)	No Load Speed (rpm)	Load Current (A)	Pull (g)	Power (W)	Lipo Cell	Weight (g) Approx
BMM784	360	12V	0.50	4250	6.5	1300	72	3-6S	260
		16V	0.55	5680	8.0	1520	120		
		24V	0.65	8450	11.6	2500	265		

McMaster Electric

WE PROVIDE BETTER PRODUCTS AND SERVICES



China:

**No.198 Chendu Road,Changzhou city,
Jiangsu Province, China**

Cell: 18661120782

Phone: (86)519 86619581

USA:

**3224 Mallard Cove Lane,
Fort Wayne, Indiana**

46804, USA

Phone: 01.260.247.6566