

E Series (1000M) Ethernet Slip Ring

Ethernet slip ring specially designed for 250Mhz frequency to transmit 100M/1000M Ethernet signals,with advantages of reliable transmitting,no packet loss,no string code,low return loss, low insertion loss



Features

- with RJ45 connectors(Ethernet slip ring also known as rj45 slip ring)
- standard Ethernet wires connection
- Max 8channels Ethernet in one slip ring
- can combine with power or pneumatic/hydraulic slip ring
- transmit 10M / 100M / 1000M BaseT Ethernet
- Contact materials:precious metal +gold plating which ensures abrasion resistant and anti-Oxidant for long working life
- 50% Ethernet slip rings are customized;

Part No. Description

E:100M/1000M Part no. description	E - IDOD - Ethernet channel No. - power circuits - signal circuits - Product grade	Examples:
<p>Examples: M means solid without hole, H means through hole M022:solid,OD 22mm, H1256:ID 12.7mm,OD 56mm H2586:ID 25.4mm,OD 86mm H3899:ID 38.1mm,OD 99mm H50119:ID 50mm,OD 119mm</p> <p>Examples: 01:1 channels 100M/1000M baseT 02:2 channels 100M/1000M baseT</p>		<p>Examples: Cstandard D: industrial</p> <p>Examples: 06S:6 circuits signal @2A (5A options) 12S:12 circuits signal @2A (5A options)</p> <p>Examples: 0610:6 circuits@10A 1210:12 circuits@10A</p>

Examples

EM022-12 : E means (1000M) Part no. description,M022:solid,OD 22mm,"12 " pls refer to model list ;
EH1256-01-0310-04S : E means (1000M) Part no. description,H1256:hole size 12.7mm,OD 56mm,01:1 channels 100M/1000M baseT,0310:3 circuits@10A,04S:4 circuits signal@2A (5A options) .

Model List

Model	ID	OD	Ethernet channels no.	power/signal circuits no.
EM022	solid	22mm	1~2	1~16
EH1256-01	12.7mm	56mm	1	1~24
EH1256-02	12.7mm	56mm	2	1~24
EH2586-01	25.4mm	86mm	1	1~48
EH2586-02	25.4mm	86mm	2	1~48
EH3899-01	38.1mm	99mm	1	1~56
EH3899-02	38.1mm	99mm	2	1~56
EH50119-01	50mm	119mm	1	1~72
EH50119-02	50mm	119mm	2	1~72

Color Code of Lead Wire

ring #	1	2	3	4	5	6	7	8	9	10	11	12
color	BLK	BRN	RED	ORG	YEL	GRN	BLU	PUR	GRY	WHT	PINK	LGT BLU
ring#	13	14	15	16	17	18	19	20	21	22	23	24
color	WHT/BLK	WHT/BRN	WHT/RED	WHT/ORG	WHT/YEL	WHT/GRN	WHT/BLU	WHT/PUR	WHT/GRY	BLK/RED	BLK/BRN	Transparent

Remark: "1" : the first wire from rotor side , EH1256-01-06S wire color sequence: BLK/BRN/RED/ORG/YEL/ GRN , 24 color wires as one group , if more than 24wires, repeat as sequence , use number tube to tell group 1#, 2#....

EM022 series miniture Gigabit Ethernet slip ring

1~2 channels 100M/1000M Ethernet+2~16 circuits power/signal

Senring EM022 series Gigabit Ethernet rotary joint,,with integrated structure, solid, OD 22mm,can tranmit 1~2 channels Gigabit Ethernet signal accurately when 360° roating.It can be combined to transmit 1~16 circuits power(current 2~20A) and USB ,HDMI or other kinds of signal.Compared with similar products on market, with advantages of reliable transmitting,no packet loss,no string code,low return loss, low insertion loss,etc.Adopting US military plating technology, precious metal + ultra-hard gold plating, ultra-low BER error rate and ultra-high signal-to-noise ratio.



Part No. Description

EM022 - Ethernet channel No. - power circuits - signal circuits - Product grade

E:100M/1000M Part no. description
M means solid without hole,
M022:solid,OD 22mm

Examples:
01:1 channels 100M/1000M baseT
02:2 channels 100M/1000M baseT

C:standard
D:industrial

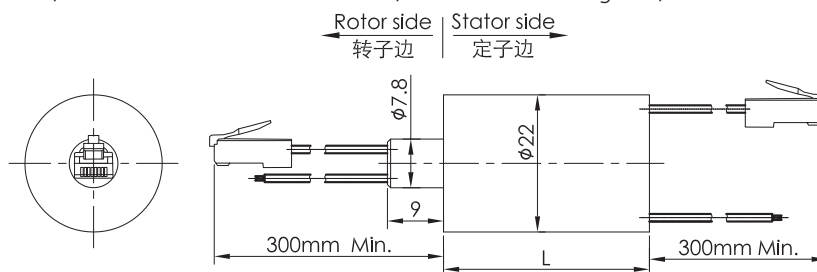
Examples:
06S:6 circuits signal@2A(5A options)
12S:12 circuits signal@2A(5A options)

Examples:
0610:6 circuits@10A
1210:12 circuits@10A

Examples

EM022-01-06S: EM022 means Gigabit Ethernet slip ring(solid,OD22mm),01 means 1 channel Gigabit Ethernet,06S means 6 circuits signal;

EM022-01F-0210-D: EM022 means Gigabit Ethernet slip ring (solid,OD22mm),01F means 1 channel 100M Ethernet,0210 means 2 circuits 10A each ,D means industrial grade;



Model List

Model	power/signal circuits no.			Ethernet channels no.		length L(mm)
	signal(2A)	power(5A)	power(20A)	100M Ethernet	1000M Ethernet	
EM022-06	0	0	0	1	0	19
EM022-12	6	0	0	1	0	26
EM022-12V	0	2	0	1	0	26
EM022-12G	0	0	0	0	1	26
EM022-18	12	0	0	1	0	33
EM022-18V	6	2	0	1	0	33
EM022-18X	2	0	2	1	0	33
EM022-18G	6	0	0	0	1	33
EM022-18GV	0	2	0	0	1	33
EM022-24	18	0	0	1	0	40
EM022-24V	12	2	0	1	0	40
EM022-24X	8	0	2	1	0	40
EM022-24G	12	0	0	0	1	40
EM022-24GV	6	2	0	0	1	40
EM022-24GX	2	0	2	0	1	40
EM022-24GG	0	0	0	0	2	40

*Remark:Circuits can be combined in parallel for bigger current,N circuits of 10A to get N*10A,such as 2 circuits of 10A in parallel for 20A use. if you need customize the channel no. of Ethernet,power and

Technical Specification of the slip ring

Ethernet	1~2 channels 100M/1000M baseT	connectors	Rj45	
Mechanical Data		Electrical Data		
spec	data	spec	data	
working life	refer to slip ring grade table		power	signal
Rotating speed	refer to slip ring grade table	voltage range	0~440VAC/VDC	0~440VAC/VDC
working temp.	-30℃~80℃	insulation resistance	≥1000MΩ/500VDC	≥1000MΩ/500VDC
work humidity	0~85%RH	lead wire spec.	AWG17# Silver-plated teflon	AWG22# Silver-plated teflon
contact material	refer to slip ring grade table		standard 300mm (can be customized)	
housing material	aluminum alloy	lead wire length	standard 300mm (can be customized)	
torque	0.1N.m;+0.03N.m/6 circuits	Dielectric Strength	500VAC@50Hz,60s	
IP grade	MIL-STD-810E	Electrical noise	<0.01Ω	
certificate	RoHS certificate	CE certificate	Yes	

Grade code

Grade code	Max rotating speed	working life	contact material
C:standard	150RPM	10 millions	precious metal
D:industrial	600RPM	20 millions	gold-gold

Color Code of Lead Wire

ring #	1	2	3	4	5	6	7	8	9	10	11	12
color	BLK	BRN	RED	ORG	YEL	GRN	BLU	PUR	GRY	WHT	PINK	LGT BLU
ring#	13	14	15	16	17	18	19	20	21	22	23	24
color	WHT/BLK	WHT/BRN	WHT/RED	WHT/ORG	WHT/YEL	WHT/GRN	WHT/BLU	WHT/PUR	WHT/GRY	BLK/RED	BLK/BRN	Transparent

Remark: "1" : the first wire from rotor side , EM022-06 wire color sequence: BLK/BRN/RED/ORG/YEL/GRN , 24 color wires as one group , if more than 24wires, repeat as sequence , use number tube to tell group 1#, 2#....



EH1256-01 series Gigabit Ethernet slip ring

1 channel Gigabit Ethernet+2~24circuits power/signal

Senring EH1256-01 series Gigabit Ethernet slip ring, with integrated structure, hole 12.7mm, OD 56mm, can transmit 1 channel Gigabit Ethernet signal accurately when 360° rotating. It can be combined to transmit 1~22 circuits power(current 2~20A) and USB ,HDMI or other kinds of signal. Compared with similar products on market, with advantages of reliable transmitting,no packet loss,no string code,low return loss, low insertion loss,etc.

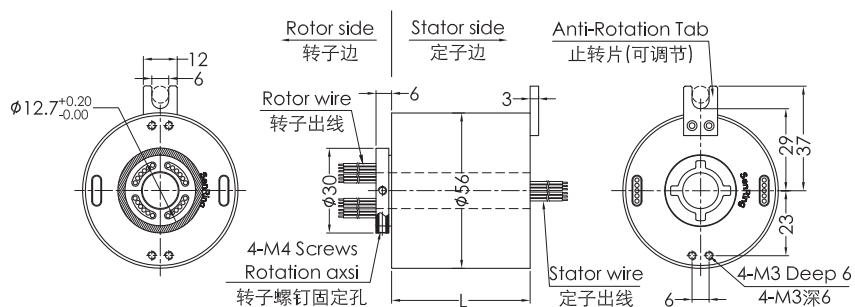
Part No. Description

EH1256	-	01	-	power circuits	-	signal circuits	-	Product grade
								C:standard D:industrial
E:100M/1000M Part no. description H means through hole H1256: ID 12.7mm, OD 56mm								Examples: 06S:6 circuits signal@2A(5A options) 12S:12 circuits signal@2A(5A options)
Examples: 01:1 channels 100M/1000M baseT								Examples: 0610:6 circuits@10A 1210:12 circuits@10A

Examples

EH1256-01-06S: EH1256 means Gigabit Ethernet slip ring(hole size 12.7mm,OD56mm),01 means 1 channel Gigabit Ethernet,06S means 6 circuits signal;

EH1256-01-0310-04S: EH1256 means Gigabit Ethernet slip ring (hole size 12.7mm,OD56mm),01 means 1 channel Gigabit Ethernet,0310 means 3 circuits 10A each ,04S means 4 circuits signal;



Model List

Model	power/signal circuits no.			1000M Ethernet channels no.	length L(mm)
	0~2A	power(10A)	power(20A)		
EH1256-01-0210	0	2	0	1	55
EH1256-01-04S	4	0	0	1	55
EH1256-01-0410	0	4	0	1	55
EH1256-01-0420	0	0	4	1	71.5
EH1256-01-10S	10	0	0	1	71.5
EH1256-01-0210-08S	8	2	0	1	71.5
EH1256-01-0610-04S	4	6	0	1	71.5
EH1256-01-16S	16	0	0	1	88.5
EH1256-01-1610	0	16	0	1	88.5
EH1256-01-0410-12S	12	4	0	1	88.5
EH1256-01-0810-08S	8	8	0	1	88.5
EH1256-01-22S	22	0	0	1	105.5

*Remark:Circuits can be combined in parallel for bigger current,N circuits of 10A to get N*10A,such as 2 circuits of 10A in parallel for 20A use. if you need customize the channel no. of Ethernet,power and signal,or mix other signals,pls contact the SenRing salesman.

Technical Specification of the slip ring

Ethernet	1 channels 100M/1000M baseT	connectors	Rj45	
Mechanical Data		Electrical Data		
spec	data	spec	data	
working life	refer to slip ring grade table		power	signal
Rotating speed	refer to slip ring grade table	voltage range	0~440VAC/VDC	0~440VAC/VDC
working temp.	-30 ℃ ~80 ℃	insulation resistance	≥ 1000MΩ /500VDC	≥ 1000MΩ /500VDC
work humidity	0~85%RH	lead wire spec.	AWG17# Silver-plated teflon	AWG22# Silver-plated teflon
contact material	refer to slip ring grade table		standard 300mm (can be customized)	
housing material	aluminum alloy	lead wire length	standard 300mm (can be customized)	
torque	0.1N.m;+0.03N.m/6 circuits	Dielectric Strength	500VAC@50Hz,60s	
IP grade	MIL-STD-810E	Electrical noise	<0.01Ω	
certificate	RoHS certificate	CE certificate	Yes	

Grade code

Grade code	Max rotating speed	working life	contact material
C:standard	250RPM	20 millions	precious metal
D:industrial	600RPM	60 millions	gold-gold

Color Code of Lead Wire

ring #	1	2	3	4	5	6	7	8	9	10	11	12
color	BLK	BRN	RED	ORG	YEL	GRN	BLU	PUR	GRY	WHT	PINK	LGT BLU
ring#	13	14	15	16	17	18	19	20	21	22	23	24
color	WHT/BLK	WHT/BRN	WHT/RED	WHT/ORG	WHT/YEL	WHT/GRN	WHT/BLU	WHT/PUR	WHT/GRY	BLK/RED	BLK/BRN	Transparent

Remark: "1" : the first wire from rotor side , EH1256-01-06S wire color sequence: BLK/BRN/RED/ORG/YEL/ GRN , 24 color wires as one group , if more than 24wires, repeat as sequence , use number tube to tell group 1#, 2#....



EH1256-02 series Gigabit Ethernet rotary joint

2 channels Gigabit Ethernet+2~24 circuits power/signal

Senring H1256-02 series Gigabit Ethernet rotary joint,,with integrated structure, hole 12.7mm, OD 56mm,can tranmit 2 channels Gigabit Ethernet signal accurately when 360° roating,It can be combined to transmit 1~14 circuits power(current 2~20A) and USB ,HDMI or other kinds of signal.Compared with similar products on market, with advantages of reliable transmitting,no packet loss,no string code,low return loss, low insertion loss,etc.

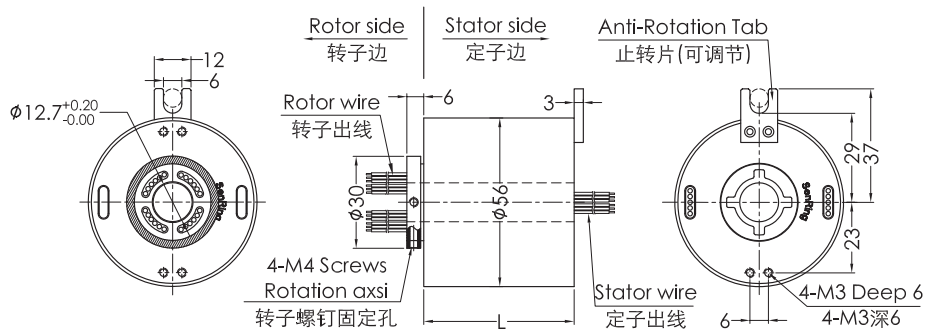
Part No. Description

EH1256 - 02 - power circuits - signal circuits - Product grade	
E:100M/1000M Part no. description H means through hole H1256: ID 12.7mm, OD 56mm	C:standard D:industrial Examples: 06S:6 circuits signal@2A(5A options) 12S:12 circuits signal@2A(5A options)
Examples: 02:2 channels 100M/1000M baseT	Examples: 0610:6 circuits@10A 1210:12 circuits@10A

Examples

EH1256-02-06S: EH1256 means Gigabit Ethernet slip ring(hole size 12.7mm,OD56mm),02 means 2 channels Gigabit Ethernet,06S means 6 circuits signal;

EH1256-02-0310-04S: EH1256 means Gigabit Ethernet slip ring (hole size 12.7mm,OD56mm),02 means 2 channels Gigabit Ethernet,0310 means 3 circuits 10A each ,04S means 4 circuits signal;



Model List

Model	power/signal circuits no.			1000M Ethernet channels no.	length L(mm)
	0~2A	power(10A)	power(20A)		
EH1256-02-02S	2	0	0	2	71.5
EH1256-02-0210	0	2	0	2	71.5
EH1256-02-08S	8	0	0	2	88.5
EH1256-02-0810	0	8	0	2	88.5
EH1256-02-0410-04S	4	4	0	2	88.5
EH1256-02-14S	14	0	0	2	105.5
EH1256-02-1410	0	14	0	2	105.5

*Remark:Circuits can be combined in parallel for bigger current,N circuits of 10A to get N*10A,such as 2 circuits of 10A in parallel for 20A use. if you need customize the channel no. of Ethernet,power and signal,or mix other signals,pls contact the SenRing salesman.

Technical Specification of the slip ring

Ethernet	2 channels 100M/1000M baseT	connectors	Rj45	
Mechanical Data		Electrical Data		
spec	data	spec	data	
working life	refer to slip ring grade table		power	signal
Rotating speed	refer to slip ring grade table	voltage range	0~440VAC/VDC	0~440VAC/VDC
working temp.	-30℃~80℃	insulation resistance	≥1000MΩ/500VDC	≥1000MΩ/500VDC
work humidity	0~85%RH	lead wire spec.	AWG17# Silver-plated teflon	AWG22# Silver-plated teflon
contact material	refer to slip ring grade table		standard 300mm (can be customized)	
housing material	aluminum alloy	lead wire length	standard 300mm (can be customized)	
torque	0.1N.m;+0.03N.m/6 circuits	Dielectric Strength	500VAC@50Hz,60s	
IP grade	MIL-STD-810E	Electrical noise	<0.01Ω	
certificate	RoHS certificate	CE certificate	Yes	

Grade code

Grade code	Max rotating speed	working life	contact material
C:standard	250RPM	20 millions	precious metal
D:industrial	600RPM	60 millions	gold-gold

Color Code of Lead Wire

ring #	1	2	3	4	5	6	7	8	9	10	11	12
color	BLK	BRN	RED	ORG	YEL	GRN	BLU	PUR	GRY	WHT	PINK	LGT BLU
ring#	13	14	15	16	17	18	19	20	21	22	23	24
color	WHT/BLK	WHT/BRN	WHT/RED	WHT/ORG	WHT/YEL	WHT/GRN	WHT/BLU	WHT/PUR	WHT/GRY	BLK/RED	BLK/BRN	Transparent

Remark: "1" : the first wire from rotor side , EH1256-02-06S wire color sequence: BLK/BRN/RED/ORG/YEL/ GRN , 24 color wires as one group , if more than 24wires, repeat as sequence , use number tube to tell group 1#, 2#....



EH2586-01 series 1 channel Gigabit Ethernet rotary joint

1 channel Gigabit Ethernet+1~48 circuits power/signal

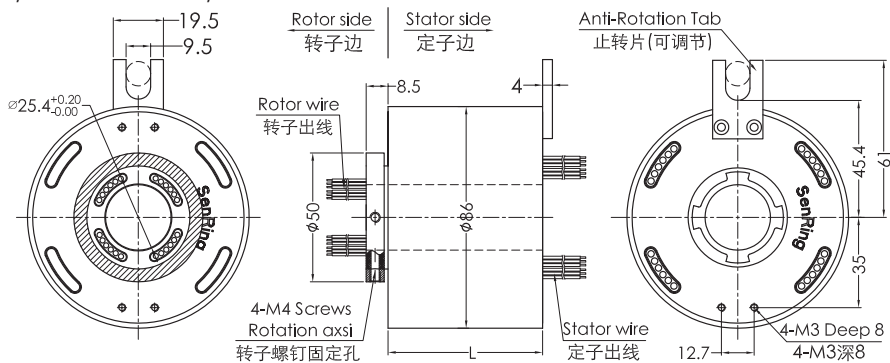
Senring EH2586-01 series Gigabit Ethernet rotary joint, with integrated structure, hole 25.4mm, OD 86mm, can transmit 1 channel Gigabit Ethernet signal accurately when 360° rotating, it can be combined to transmit 1~22 circuits power (current 2~20A) and USB, HDMI or other kinds of signal. Compared with similar products on market, with advantages of reliable transmitting, no packet loss, no string code, low return loss, low insertion loss, etc.

Part No. Description

EH2586	-	01	-	power circuits	-	signal circuits	-	Product grade
								C: standard D: industrial
E: 100M/1000M Part no. description H means through hole H2586: ID 25.4mm, OD 86mm								Examples: 06S: 6 circuits signal@2A(5A options) 12S: 12 circuits signal@2A(5A options)
Examples: 01: 1 channels 100M/1000M baseT								Examples: 0610: 6 circuits@10A 1210: 12 circuits@10A

Examples

Senring EH2586-01 series Gigabit Ethernet rotary joint, with integrated structure, hole 25.4mm, OD 86mm, can transmit 1 channel Gigabit Ethernet signal accurately when 360° rotating, it can be combined to transmit 1~22 circuits power (current 2~20A) and USB, HDMI or other kinds of signal. Compared with similar products on market, with advantages of reliable transmitting, no packet loss, no string code, low return loss, low insertion loss, etc.



Model List

Model	power/signal circuits no.			1000M Ethernet channels no.	length L(mm)
	0~2A	power(10A)	power(20A)		
EH2586-01-0210	0	2	0	1	72
EH2586-01-04s	4	0	0	1	72
EH2586-01-0410	0	4	0	1	72
EH2586-01-0420	0	0	4	1	72
EH2586-01-10S	10	0	0	1	96
EH2586-01-0210-08S	8	2	0	1	96
EH2586-01-0610-04S	4	6	0	1	96
EH2586-01-16S	16	0	0	1	120
EH2586-01-1610	0	16	0	1	120
EH2586-01-0410-12S	12	4	0	1	120
EH2586-01-0810-08S	8	8	0	1	120
EH2586-01-22S	22	0	0	1	144
EH2586-01-0410-18S	18	4	0	1	144
EH2586-01-2210	0	22	0	1	144

*Remark: Circuits can be combined in parallel for bigger current, N circuits of 10A to get N*10A, such as 2 circuits of 10A in parallel for 20A use. If you need to customize the channel number of Ethernet, power, and signal, or mix other signals, please contact the SenRing salesman.

Technical Specification of the slip ring

Ethernet	1 channels 100M/1000M baseT	connectors	Rj45	
Mechanical Data		Electrical Data		
spec	data	spec	data	
working life	refer to slip ring grade table		power	signal
Rotating speed	refer to slip ring grade table	voltage range	0~440VAC/VDC	0~440VAC/VDC
working temp.	-30 ℃ ~80 ℃	insulation resistance	≥ 1000MΩ /500VDC	≥ 1000MΩ /500VDC
work humidity	0~85%RH	lead wire spec.	AWG17# Silver-plated teflon	AWG22# Silver-plated teflon
contact material	refer to slip ring grade table			
housing material	aluminum alloy	lead wire length	standard 300mm (can be customized)	
torque	0.1N.m;+0.03N.m/6 circuits	Dielectric Strength	500VAC@50Hz,60s	
IP grade	MIL-STD-810E	Electrical noise	<0.01Ω	
certificate	RoHS certificate	CE certificate	Yes	

Grade code

Grade code	Max rotating speed	working life	contact material
C:standard	250RPM	20 millions	precious metal
D:industrial	600RPM	60 millions	gold-gold

Color Code of Lead Wire

ring #	1	2	3	4	5	6	7	8	9	10	11	12
color	BLK	BRN	RED	ORG	YEL	GRN	BLU	PUR	GRY	WHT	PINK	LGT BLU
ring#	13	14	15	16	17	18	19	20	21	22	23	24
color	WHT/BLK	WHT/BRN	WHT/RED	WHT/ORG	WHT/YEL	WHT/GRN	WHT/BLU	WHT/PUR	WHT/GRY	BLK/RED	BLK/BRN	Transparent

Remark: "1" : the first wire from rotor side , EH2586-01-06S wire color sequence: BLK/BRN/RED/ORG/YEL/ GRN , 24 color wires as one group , if more than 24wires, repeat as sequence , use number tube to tell group 1#, 2#....



EH2586-02 series 2 channels Gigabit Ethernet rotary joint

2 channels Gigabit Ethernet+1~48 circuits power/signal

Senring EH2586-02 series Gigabit Ethernet rotary joint, with integrated structure, hole 25.4mm, OD 86mm, can transmit 2 channels Gigabit Ethernet signal accurately when 360° rotating. It can be combined to transmit 1~26 circuits power (current 2~20A) and USB, HDMI or other kinds of signal. Compared with similar products on market, with advantages of reliable transmitting, no packet loss, no string code, low return loss, low insertion loss, etc.

Part No. Description

EH2586 - 02 - power circuits - signal circuits - Product grade

E: 100M/1000M Part no. description
H means through hole
H2586: ID 25.4mm, OD 86mm

Examples:
02: 2 channels 100M/1000M baseT

C: standard
D: industrial

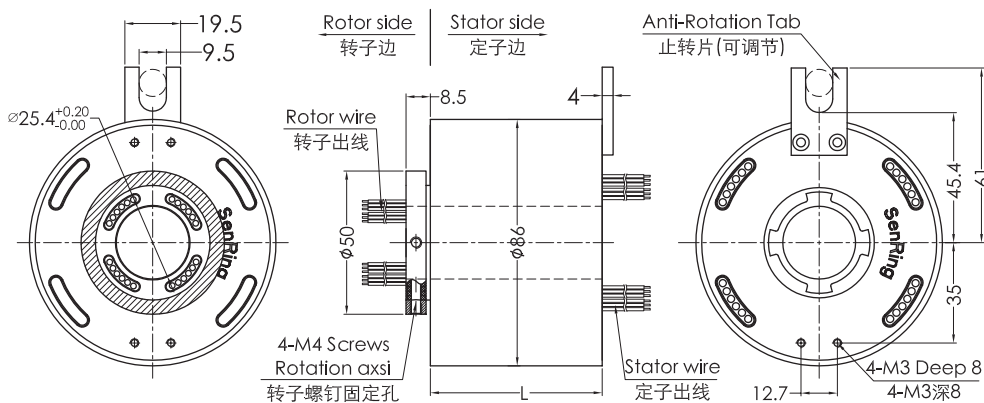
Examples:
06S: 6 circuits signal@2A(5A options)
12S: 12 circuits signal@2A(5A options)

Examples:
0610: 6 circuits@10A
1210: 12 circuits@10A

Examples

EH2586-02-06S: EH2586 means Gigabit Ethernet slip ring (hole size 25.4mm, OD 86mm), 02 means 2 channels Gigabit Ethernet, 06S means 6 circuits signal;

EH2586-02-0410-04S: EH2586 means Gigabit Ethernet slip ring (hole size 25.4mm, OD 86mm), 02 means 2 channels Gigabit Ethernet, 0410 means 4 circuits 10A each, 04S means 4 circuits signal;



Model List

Model	power/signal circuits no.			1000M Ethernet channels no.	length L(mm)
	0~2A	power(10A)	power(20A)		
EH2586-02-02S	2	0	0	2	96
EH2586-02-0210	0	2	0	2	96
EH2586-02-08S	8	0	0	2	120
EH2586-02-0810	0	8	0	2	120
EH2586-02-0410-04S	4	4	0	2	120
EH2586-02-14S	14	0	0	2	144
EH2586-02-1410	0	14	0	2	144
EH2586-02-20S	20	0	0	2	168
EH2586-02-26S	26	0	0	2	192

*Remark: Circuits can be combined in parallel for bigger current, N circuits of 10A to get N*10A, such as 2 circuits of 10A in parallel for 20A use. If you need to customize the channel no. of Ethernet, power and signal, or mix other signals, please contact the SenRing salesman.

Technical Specification of the slip ring

Ethernet	2 channels 100M/1000M baseT	connectors	Rj45	
Mechanical Data		Electrical Data		
spec	data	spec	data	
working life	refer to slip ring grade table		power	signal
Rotating speed	refer to slip ring grade table	voltage range	0~440VAC/VDC	0~440VAC/VDC
working temp.	-30℃ ~80℃	insulation resistance	≥ 1000MΩ /500VDC	≥ 1000MΩ /500VDC
work humidity	0~85%RH	lead wire spec.	AWG17# Silver-plated teflon	AWG22# Silver-plated teflon
contact material	refer to slip ring grade table			
housing material	aluminum alloy	lead wire length	standard 300mm (can be customized)	
torque	0.1N.m;+0.03N.m/6 circuits	Dielectric Strength	500VAC@50Hz,60s	
IP grade	MIL-STD-810E	Electrical noise	<0.01Ω	
certificate	RoHS certificate	CE certificate	Yes	

Grade code

Grade code	Max rotating speed	working life	contact material
C:standard	250RPM	20 millions	precious metal
D:industrial	600RPM	60 millions	gold-gold

Color Code of Lead Wire

ring #	1	2	3	4	5	6	7	8	9	10	11	12
color	BLK	BRN	RED	ORG	YEL	GRN	BLU	PUR	GRY	WHT	PINK	LGT BLU
ring#	13	14	15	16	17	18	19	20	21	22	23	24
color	WHT/BLK	WHT/BRN	WHT/RED	WHT/ORG	WHT/YEL	WHT/GRN	WHT/BLU	WHT/PUR	WHT/GRY	BLK/RED	BLK/BRN	Transparent

Remark: "1" : the first wire from rotor side , EH2586-02-06S wire color sequence: BLK/BRN/RED/ORG/YEL/ GRN , 24 color wires as one group , if more than 24wires, repeat as sequence , use number tube to tell group 1#, 2#....



EH3899-01 series 1 channel Gigabit Ethernet rotary joint

1 channel Gigabit Ethernet+1~56 circuits power/signal

Senring EH3899-01 series Gigabit Ethernet rotary joint, with integrated structure, hole 38.1mm, OD 99mm, can transmit 1 channel Gigabit Ethernet signal accurately when 360° rotating, It can be combined to transmit 1~58 circuits power(current 2~20A) and USB ,HDMI or other kinds of signal. Compared with similar products on market, with advantages of reliable transmitting, no packet loss, no string code, low return loss, low insertion loss, etc.

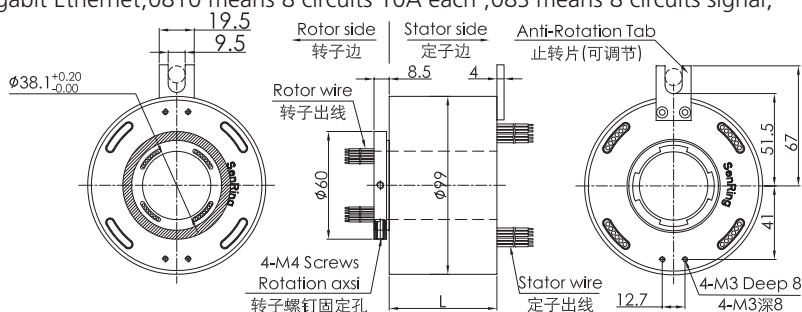
Part No. Description

EH3899	- 01	- power circuits	- signal circuits	- Product grade
E:100M/1000M Part no. description H means through hole H3899: ID 38.1mm, OD 99mm				C:standard D:industrial
Examples: 01:1 channels 100M/1000M baseT				Examples: 06S:6 circuits signal@2A(5A options) 12S:12 circuits signal@2A(5A options)
				Examples: 0610:6 circuits@10A 1210:12 circuits@10A

Examples

EH3899-01-06S : EH3899 means Gigabit Ethernet slip ring(hole size 38.1mm,OD99mm),01 means 1 channel Gigabit Ethernet,06S means 6 circuits signal;

EH3899-01-0810-08S : EH3899 means Gigabit Ethernet slip ring (hole size 38.1mm,OD99mm),01 means 1 channel Gigabit Ethernet,0810 means 8 circuits 10A each ,08S means 8 circuits signal;



Model List

Model	power/signal circuits no.			1000M Ethernet channels no.	length L(mm)
	0~2A	power(10A)	power(20A)		
EH3899-01-0210	0	2	0	1	72
EH3899-01-04S	4	0	0	1	72
EH3899-01-0410	0	4	0	1	72
EH3899-01-0420	0	0	4	1	72
EH3899-01-10S	10	0	0	1	96
EH3899-01-0210-08S	8	2	0	1	96
EH3899-01-0610-04S	4	6	0	1	96
EH3899-01-16S	16	0	0	1	120
EH3899-01-1610	0	16	0	1	120
EH3899-01-0410-12S	12	4	0	1	120
EH3899-01-0810-08S	8	8	0	1	120
EH3899-01-22S	22	0	0	1	144
EH3899-01-0410-18S	18	4	0	1	144
EH3899-01-2210	0	22	0	1	144
EH3899-01-28S	28	0	0	1	168
EH3899-01-40S	40	0	0	1	216
EH3899-01-58S	58	0	0	1	288

*Remark:Circuits can be combined in parallel for bigger current,N circuits of 10A to get N*10A,such as 2 circuits of 10A in parallel for 20A use. if you need customize the channel no. of Ethernet,power and signal,or mix other signals,pls contact the SenRing salesman.

Technical Specification of the slip ring

Ethernet	1 channels 100M/1000M baseT	connectors	Rj45	
Mechanical Data		Electrical Data		
spec	data	spec	data	
working life	refer to slip ring grade table		power	signal
Rotating speed	refer to slip ring grade table	voltage range	0~440VAC/VDC	0~440VAC/VDC
working temp.	-30℃~80℃	insulation resistance	≥1000MΩ/500VDC	≥1000MΩ/500VDC
work humidity	0~85%RH	lead wire spec.	AWG17# Silver-plated teflon	AWG22# Silver-plated teflon
contact material	refer to slip ring grade table		lead wire length	
housing material	aluminum alloy	Dielectric Strength	standard 300mm (can be customized)	
torque	0.1N.m;+0.03N.m/6 circuits	Electrical noise	500VAC@50Hz,60s	
IP grade	MIL-STD-810E	CE certificate	<0.01Ω	
certificate	RoHS certificate	Yes		

Grade code

Grade code	Max rotating speed	working life	contact material
C:standard	250RPM	20 millions	precious metal
D:industrial	600RPM	60 millions	gold-gold

Color Code of Lead Wire

ring #	1	2	3	4	5	6	7	8	9	10	11	12
color	BLK	BRN	RED	ORG	YEL	GRN	BLU	PUR	GRY	WHT	PINK	LGT BLU
ring#	13	14	15	16	17	18	19	20	21	22	23	24
color	WHT/BLK	WHT/BRN	WHT/RED	WHT/ORG	WHT/YEL	WHT/GRN	WHT/BLU	WHT/PUR	WHT/GRY	BLK/RED	BLK/BRN	Transparent

Remark: "1" : the first wire from rotor side , EH3899-01-06S wire color sequence: BLK/BRN/RED/ORG/YEL/ GRN , 24 color wires as one group , if more than 24wires, repeat as sequence , use number tube to tell group 1#, 2#....



EH3899-02 series 2 channels Gigabit Ethernet rotary joint

2 channels Gigabit Ethernet+1~56 circuits power/signal

Sensing EH3899-02 series Gigabit Ethernet rotary joint, with integrated structure, hole 38.1mm, OD 99mm, can transmit 2 channels Gigabit Ethernet signal accurately when 360° rotating. It can be combined to transmit 1~56 circuits power (current 2~20A) and USB, HDMI or other kinds of signal. Compared with similar products on market, with advantages of reliable transmitting, no packet loss, no string code, low return loss, low insertion loss, etc.

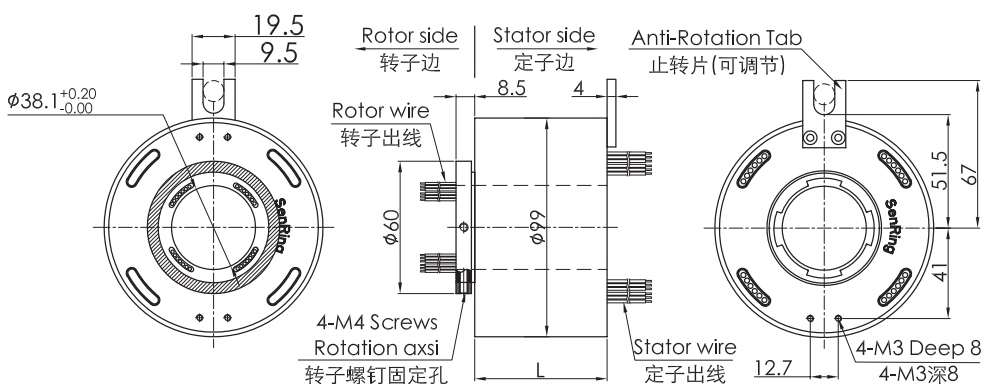
Part No. Description

EH3899 - 02 - power circuits - signal circuits - Product grade	
E:100M/1000M Part no. description H means through hole H3899: ID 38.1mm, OD 99mm Examples: 02:2 channels 100M/1000M baseT	C:standard D:industrial Examples: 06S:6 circuits signal@2A(5A options) 12S:12 circuits signal@2A(5A options) Examples: 0610:6 circuits@10A 1210:12 circuits@10A

Examples

EH3899-02-06S : EH3899 means Gigabit Ethernet slip ring(hole size 38.1mm,OD99mm),02 means 2 channels Gigabit Ethernet,06S means 6 circuits signal;

EH3899-02-0310-04S : EH3899 means Gigabit Ethernet slip ring (hole size 38.1mm,OD99mm),02 means 2 channels Gigabit Ethernet,0310 means 3 circuits 10A each ,04S means 4 circuits signal;



Model List

Model	power/signal circuits no.			1000M Ethernet channels no.	length L(mm)
	0~2A	power(10A)	power(20A)		
EH3899-02-02S	2	0	0	2	96
EH3899-02-0210	0	2	0	2	96
EH3899-02-08S	8	0	0	2	120
EH3899-02-0810	0	8	0	2	120
EH3899-02-0410-04S	4	4	0	2	120
EH3899-02-14S	14	0	0	2	144
EH3899-02-1410	0	14	0	2	144
EH3899-02-20S	20	0	0	2	168
EH3899-02-26S	26	0	0	2	192
EH3899-02-32S	32	0	0	2	216
EH3899-02-56S	56	0	0	2	312

*Remark: Circuits can be combined in parallel for bigger current, N circuits of 10A to get N*10A, such as 2 circuits of 10A in parallel for 20A use. If you need to customize the channel no. of Ethernet, power and signal, or mix other signals, please contact the SenRing salesman.

Technical Specification of the slip ring

Ethernet	2 channels 100M/1000M baseT	connectors	Rj45	
Mechanical Data		Electrical Data		
spec	data	spec	data	
working life	refer to slip ring grade table		power	signal
Rotating speed	refer to slip ring grade table	voltage range	0~440VAC/VDC	0~440VAC/VDC
working temp.	-30℃~80℃	insulation resistance	≥1000MΩ/500VDC	≥1000MΩ/500VDC
work humidity	0~85%RH	lead wire spec.	AWG17# Silver-plated teflon	AWG22# Silver-plated teflon
contact material	refer to slip ring grade table		standard 300mm (can be customized)	
housing material	aluminum alloy	lead wire length	standard 300mm (can be customized)	
torque	0.1N.m;+0.03N.m/6 circuits	Dielectric Strength	500VAC@50Hz,60s	
IP grade	MIL-STD-810E	Electrical noise	<0.01Ω	
certificate	RoHS certificate	CE certificate	Yes	

Grade code

Grade code	Max rotating speed	working life	contact material
C:standard	250RPM	20 millions	precious metal
D:industrial	600RPM	60 millions	gold-gold

Color Code of Lead Wire

ring #	1	2	3	4	5	6	7	8	9	10	11	12
color	BLK	BRN	RED	ORG	YEL	GRN	BLU	PUR	GRY	WHT	PINK	LGT BLU
ring#	13	14	15	16	17	18	19	20	21	22	23	24
color	WHT/BLK	WHT/BRN	WHT/RED	WHT/ORG	WHT/YEL	WHT/GRN	WHT/BLU	WHT/PUR	WHT/GRY	BLK/RED	BLK/BRN	Transparent

Remark: "1" : the first wire from rotor side , EH3899-02-06S wire color sequence: BLK/BRN/RED/ORG/YEL/ GRN , 24 color wires as one group , if more than 24wires, repeat as sequence , use number tube to tell group 1#, 2#....



EH50119-01 series 1 channel Gigabit Ethernet slip ring

1 channel Gigabit Ethernet+1~72 circuits power/signal

Sensing EH50119-01 series Gigabit Ethernet rotary joint,,with integrated structure, hole 50mm, OD 119mm,can tranmit 1 channel Gigabit Ethernet signal accurately when 360° roating,It can be combined to transmit 1~58 circuits power(current 2~20A) and USB ,HDMI or other kinds of signal.Compared with similar products on market, with advantages of reliable transmitting,no packet loss,no string code,low return loss, low insertion loss,etc.

Part No. Description

EH50119 - 01 - power circuits - signal circuits - Product grade

E:100M/1000M Part no. description
H means through hole
H50119: ID 50mm, OD 119mm

Examples:
01:1 channels 100M/1000M baseT

C:standard
D:industrial

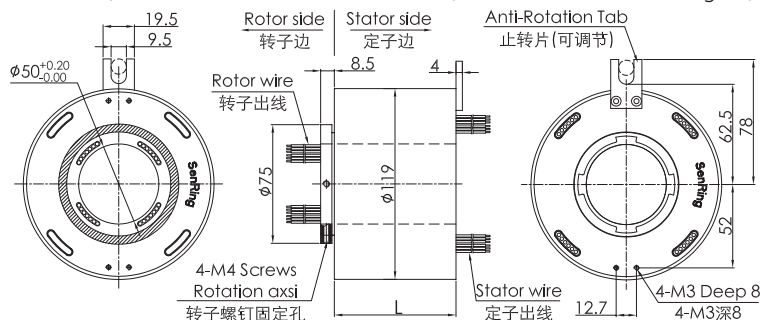
Examples:
06S:6 circuits signal@2A(5A options)
12S:12 circuits signal@2A(5A options)

Examples:
0610:6 circuits@10A
1210:12 circuits@10A

Examples

EH50119-01-06S : EH50119 means Gigabit Ethernet slip ring(hole size 50mm,OD119mm),01 means 1 channel Gigabit Ethernet,06S means 6 circuits signal;

EH50119-01-0410-18S : EH50119 means Gigabit Ethernet slip ring (hole size 50mm,OD119mm),01 means 1 channel Gigabit Ethernet,0410 means 4 circuits 10A each ,18S means 18 circuits signal;



Model List

Model	power/signal circuits no.			1000M Ethernet channels no.	length L(mm)
	0~2A	power(10A)	power(20A)		
EH50119-01-0210	0	2	0	1	76
EH50119-01-04s	4	0	0	1	76
EH50119-01-0410	0	4	0	1	76
EH50119-01-0420	0	0	4	1	76
EH50119-01-10S	10	0	0	1	100
EH50119-01-0210-08S	8	2	0	1	100
EH50119-01-0610-04S	4	6	0	1	100
EH50119-01-16S	16	0	0	1	124
EH50119-01-1610	0	16	0	1	124
EH50119-01-0410-12S	12	4	0	1	124
EH50119-01-0810-08S	8	8	0	1	124
EH50119-01-22S	22	0	0	1	148
EH50119-01-0410-18S	18	4	0	1	148
EH50119-01-2210	0	22	0	1	148
EH50119-01-28S	28	0	0	1	172
EH50119-01-40S	40	0	0	1	218
EH50119-01-58S	58	0	0	1	290

*Remark:Circuits can be combined in parallel for bigger current,N circuits of 10A to get N*10A,such as 2 circuits of 10A in parallel for 20A use. if you need customize the channel no. of Ethernet,power and signal,or mix other signals,pls contact the SenRing salesman.

Technical Specification of the slip ring

Ethernet	1 channels 100M/1000M baseT	connectors	Rj45	
Mechanical Data		Electrical Data		
spec	data	spec	data	
working life	refer to slip ring grade table		power	signal
Rotating speed	refer to slip ring grade table	voltage range	0~440VAC/VDC	0~440VAC/VDC
working temp.	-30℃~80℃	insulation resistance	≥1000MΩ/500VDC	≥1000MΩ/500VDC
work humidity	0~85%RH	lead wire spec.	AWG17# Silver-plated teflon	AWG22# Silver-plated teflon
contact material	refer to slip ring grade table			
housing material	aluminum alloy	lead wire length	standard 300mm (can be customized)	
torque	0.1N.m;+0.03N.m/6 circuits	Dielectric Strength	500VAC@50Hz,60s	
IP grade	MIL-STD-810E	Electrical noise	<0.01Ω	
certificate	RoHS certificate	CE certificate	Yes	

Grade code

Grade code	Max rotating speed	working life	contact material
C:standard	400RPM	20 millions	precious metal
D:industrial	800RPM	60 millions	gold-gold

Color Code of Lead Wire

ring #	1	2	3	4	5	6	7	8	9	10	11	12
color	BLK	BRN	RED	ORG	YEL	GRN	BLU	PUR	GRY	WHT	PINK	LGT BLU
ring#	13	14	15	16	17	18	19	20	21	22	23	24
color	WHT/BLK	WHT/BRN	WHT/RED	WHT/ORG	WHT/YEL	WHT/GRN	WHT/BLU	WHT/PUR	WHT/GRY	BLK/RED	BLK/BRN	Transparent

Remark: "1" : the first wire from rotor side , EH50119-01-06S wire color sequence: BLK/BRN/RED/ORG/YEL/ GRN , 24 color wires as one group , if more than 24wires, repeat as sequence , use number tube to tell group 1#, 2#....



EH50119-02 series 2 channels Gigabit Ethernet slip ring

2 channel Gigabit Ethernet+1~72 circuits power/signal;

Senring EH50119-02 series Gigabit Ethernet rotary joint,,with integrated structure, hole 50mm, OD 119mm,can tranmit 2 channels Gigabit Ethernet signal accurately when 360° roating,It can be combined to transmit 1~26 circuits power(current 2~20A) and USB ,HDMI or other kinds of signal.Compared with similar products on market, with advantages of reliable transmitting,no packet loss,no string code,low return loss, low insertion loss,etc.

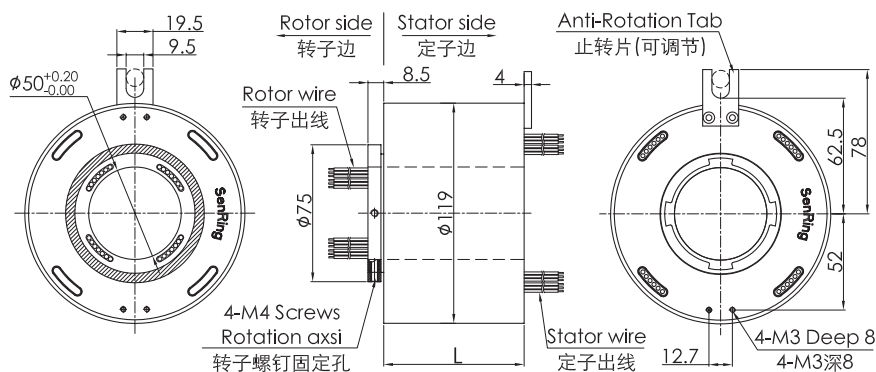
Part No. Description

EH50119 - 02	- power circuits -	signal circuits -	Product grade
E:100M/1000M Part no. description H means through hole H50119: ID 50mm, OD 119mm			C:standard D:industrial
Examples: 02:2 channels 100M/1000M baseT			Examples: 0610:6 circuits@10A 1210:12 circuits@10A
Examples: 06S:6 circuits signal@2A(5A options) 12S:12 circuits signal@2A(5A options)			

Examples

EH50119-02-06S : EH50119 means Gigabit Ethernet slip ring(hole size 50mm,OD119mm),02 means 2 channels Gigabit Ethernet,06S means 6 circuits signal;

EH50119-02-1210-02S : EH50119 means Gigabit Ethernet slip ring (hole size 50mm,OD119mm),02 means 2 channels Gigabit Ethernet,1210 means 12 circuits 10A each ,02S means 2 circuits signal;



Model List

Model	power/signal circuits no.			1000M Ethernet channels no.	length L(mm)
	0~2A	power(10A)	power(20A)		
EH50119-02-02S	2	0	0	2	100
EH50119-02-0210	0	2	0	2	100
EH50119-02-08S	8	0	0	2	124
EH50119-02-0820	0	0	8	2	124
EH50119-02-0410-04S	4	4	0	2	124
EH50119-02-14S	14	0	0	2	148
EH50119-02-1410	0	14	0	2	148
EH50119-02-20S	20	0	0	2	172
EH50119-02-26S	26	0	0	2	196
EH50119-02-32S	32	0	0	2	222
EH50119-02-56S	56	0	0	2	316

*Remark:Circuits can be combined in parallel for bigger current,N circuits of 10A to get N*10A,such as 2 circuits of 10A in parallel for 20A use. if you need customize the channel no. of Ethernet,power and signal,or mix other signals,pls contact the SenRing salesman.

Technical Specification of the slip ring

Ethernet	2channels 100M/1000M baseT	connectors	Rj45	
Mechanical Data		Electrical Data		
spec	data	spec	data	
working life	refer to slip ring grade table		power	signal
Rotating speed	refer to slip ring grade table	voltage range	0~440VAC/VDC	0~440VAC/VDC
working temp.	-30℃~80℃	insulation resistance	≥1000MΩ/500VDC	≥1000MΩ/500VDC
work humidity	0~85%RH	lead wire spec.	AWG17# Silver-plated teflon	AWG22# Silver-plated teflon
contact material	refer to slip ring grade table			
housing material	aluminum alloy	lead wire length	standard 300mm (can be customized)	
torque	0.1N.m;+0.03N.m/6 circuits	Dielectric Strength	500VAC@50Hz,60s	
IP grade	MIL-STD-810E	Electrical noise	<0.01Ω	
certificate	RoHS certificate	CE certificate	Yes	

Grade code

Grade code	Max rotating speed	working life	contact material
C:standard	400RPM	20 millions	precious metal
D:industrial	800RPM	60 millions	gold-gold

Color Code of Lead Wire

ring #	1	2	3	4	5	6	7	8	9	10	11	12
color	BLK	BRN	RED	ORG	YEL	GRN	BLU	PUR	GRY	WHT	PINK	LGT BLU

ring#	13	14	15	16	17	18	19	20	21	22	23	24
color	WHT/BLK	WHT/BRN	WHT/RED	WHT/ORG	WHT/YEL	WHT/GRN	WHT/BLU	WHT/PUR	WHT/GRY	BLK/RED	BLK/BRN	Transparent

Remark: "1" : the first wire from rotor side , EH50119-02-06S wire color sequence: BLK/BRN/RED/ORG/YEL/ GRN , 24 color wires as one group , if more than 24wires, repeat as sequence , use number tube to tell group 1#, 2#....