

H Series Through Hole Slip Ring

Sensing H series with a center bore ,applied to any device where requires to transmit big current ,high voltage, precise signals when 360° rotating. .



Main Features

- Designed for hydraulic, pneumatic channel or rotating shaft installation
- Advanced fiber brush technology (multi contact points) ensures reliable contact with low friction
- Hole size from 5mm to 300mm
- Standard product, stocks available
- Gold plated ring+ gold ally brush
- Support transmitting power with signals
- Customizations acceptable for circuits no. , current& voltage based on standard models

Model List

| Model | ID(mm) | OD(mm) | Circuits no. |
|--------|--------|--------|--------------|
| H0316 | 3 | 16 | 1~8 |
| H0522 | 5 | 22 | 1~24 |
| H0724 | 7 | 24.8 | 1~12 |
| H0729 | 7 | 29 | 1~12 |
| H0835 | 8 | 35 | 1~12 |
| H1235 | 12.7 | 35 | 1~12 |
| H1242 | 12.7 | 42 | 1~12 |
| H1532 | 15 | 32.8 | 1~24 |
| H2042 | 20 | 42 | 1~12 |
| H1256 | 12.7 | 56 | 1~48 |
| H1256F | 12.7 | 56 | 1~48 |
| H1286 | 12.7 | 86 | 1~96 |
| H2056 | 20 | 56 | 1~12 |
| H2056F | 20 | 56 | 1~48 |
| H2069 | 20 | 69 | 1~48 |
| H2578 | 25.4 | 78 | 1~96 |
| H2586 | 25.4 | 86 | 1~72 |
| H2586F | 25.4 | 86 | 1~72 |
| H25119 | 25.4 | 119 | 1~144 |
| H3099 | 30 | 99 | 1~72 |

| Model | ID (mm) | OD(mm) | Circuits no. |
|---------|---------|--------|--------------|
| H3899 | 38.1 | 99 | 1~72 |
| H3899F | 38.1 | 99 | 1~72 |
| H38119 | 38.1 | 119 | 1~108 |
| H4086 | 40 | 86 | 1~48 |
| H50119 | 50 | 119 | 1~108 |
| H50119F | 50 | 119 | 1~108 |
| H60119 | 60 | 119 | 1~72 |
| H50130 | 50 | 130 | 1~144 |
| H60130 | 60 | 130 | 1~108 |
| H70140 | 70 | 140 | 1~108 |
| H70158 | 70 | 158 | 1~108 |
| H80158 | 80 | 158 | 1~108 |
| H90185 | 90 | 185 | 1~108 |
| H100185 | 100 | 185 | 1~108 |
| H120215 | 120 | 215 | 1~108 |
| H150248 | 150 | 248 | 1~108 |
| H180298 | 180 | 298 | 1~108 |
| H200320 | 200 | 320 | 1~108 |
| H250396 | 250 | 396 | 1~108 |
| H300430 | 300 | 476 | 1~108 |

Sensing 60% products are customized , pls inquire us if you have special Spec requirements.

Part No. description

| H - ID OD | F - Power circuits no. | Signal circuits no. | Eroduct grade |
|--|------------------------|---------------------|--|
| H: through hole slip ring H3899:ID38.1mm,OD99mm H3899F:ID38.1mm,OD99mm with rotor flange H38120:ID38.1mm,OD120mm H4099:ID40mm,OD99mm H50120:ID50mm,OD120mm | | | C: standard level D:Industrial level H:High quality level |
| F: with rotor flange(optional) | | | Example: 06S:6circuits signal (0~2A) 12S:12circuits signal (0~2A) |
| | | | Example: 0610:6 circuits,10A per circuit 1220:2circuits,10A per circuit |

Example

H50120-0610-06S : "H" through hole slip ring, "50120" ID50mm, OD120mm, "0610" 6 circuits power, "06S" 6 circuits signals (5A)

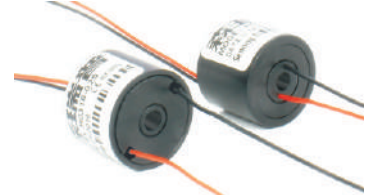
H3899-12S : "H" through hole slip ring, "3899" ID38.1mm, OD99mm, "12S" 12 circuits signals (5A)

H1256F-0610-D: "H" through hole slip ring, "3899" ID12.7mm, OD56mm, "0610" 6 circuits power, with rotor flange, "D" Industrial level

Color code of Lead Wire

| | | | | | | | | | | | | |
|-------|---------|---------|---------|---------|---------|---------|---------|---------|---------|---------|---------|-------------|
| ring# | 1 | 2 | 3 | 4 | 5 | 6 | 7 | 8 | 9 | 10 | 11 | 12 |
| color | BLK | BRN | RED | ORG | YEL | GRN | BLU | PUR | GRY | WHT | PINK | LGT BLU |
| ring# | 13 | 14 | 15 | 16 | 17 | 18 | 19 | 20 | 21 | 22 | 23 | 24 |
| color | WHT/BLK | WHT/BRN | WHT/RED | WHT/ORG | WHT/YEL | WHT/GRN | WHT/BLU | WHT/PUR | WHT/GRY | BLK/RED | BLK/BRN | Transparent |

Remark: "1" : the first wire from rotor side , H1256-06S wire color sequence: BLK/BRN/RED/ORG/WHT/GRN , 24 color wires as one group , if more than 24wires, repeat as sequence , use number tube to tell group 1#, 2#....



H0316 Series

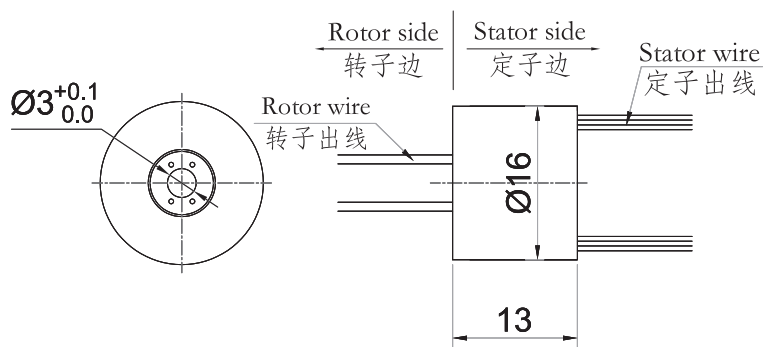
H0316 series standard precise slip ring, integrated structure design, with through hole 3mm , OD16mm , suitable for rotating application which requires a through hole <=3mm

Part No. Description

H0316 - Signal circuits no.

H:through hole slip ring
0316:ID 3mm, OD 16mm

Example:
06S:6circuits signal (0~2A)
12S:12circuits signal (0~2A)



Standard Model List

| H0316 series model list | | |
|-------------------------|-------------------------------|--------------|
| Part no. | Circuits no. (signal or 0~2A) | Length L(mm) |
| H0316-02S | 2 | 13.3 |
| H0316-03S | 3 | 13.3 |
| H0316-04S | 4 | 13.3 |
| H0316-06S | 6 | 21 |
| H0316-08S | 8 | 21 |

*Remark: Circuits can be combined in parallel for bigger current, N circuits of 2A to get N*2A, such as 2 circuits of 2A in parallel for 4A use.

Technical Specification

| Mechanical | | Electrical | |
|------------------|----------------------------------|-----------------------|--|
| Spec | Data | Spec | Data |
| Working life | pls refer to product grade table | Rated voltage | 0~240VAC/VDC |
| Rotating speed | pls refer to product grade table | Insulation resistance | $\geq 500\text{m}\Omega/500\text{VDC}$ |
| Working temp. | -30°C~80°C | Lead wire spec. | AWG26# Silver-plated teflon |
| Work humidity | 0~85% RH | Lead wire length | standard 300mm(can be customized) |
| Contact material | pls refer to produce grade table | Dielectric Strength | 500VAC@50Hz,60s |
| Housing material | AL alloy | Electrical noise | <0.01Ω |
| Torque | 0.05N.m (+0.02N.m/6circuits) | | |
| IP grade | IP51 | | |

Color code of Lead Wire

| ring# | 1 | 2 | 3 | 4 | 5 | 6 | 7 | 8 | 9 | 10 | 11 | 12 |
|-------|-----|-----|-----|-----|-----|-----|-----|-----|-----|-----|------|---------|
| color | BLK | BRN | RED | ORG | YEL | GRN | BLU | PUR | GRY | WHT | PINK | LGT BLU |

Remark:"1" : the first wire from rotor side , M125A-06 wire color sequence: BLK/BRN/RED/ORG/WHT/GRN , 24 color wires as one group , if more than 24wires, repeat as sequence , use number tube to tell group 1#, 2#....

H0522 Series

H0522 series standard precise slip ring, integrated structure design, with through hole 5mm , OD22mm , suitable for rotating application which requires a through hole <=5mm (remark: if need a hole <5mm, can add a inner bushing)



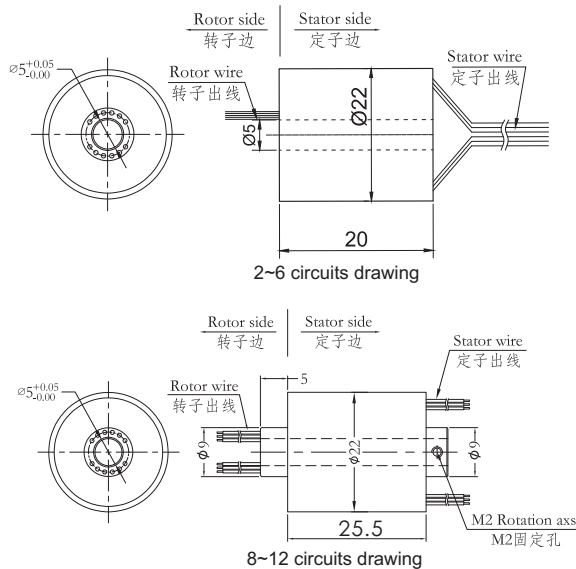
Part No. Description

H0522 - Signal circuits no. - Erodect grade

H:through hole slip ring
0522:ID 5mm, OD 22mm

Example:
06S:6circuits signal (0~2A)
12S:12circuits signal (0~2A)

Example:
C: standard level
D:Industrial level
H:High quality level



Standard Model List

| H0522 series model list | | |
|-------------------------|-------------------------------|--------------|
| Part no. | Circuits no. (signal or 0~2A) | Length L(mm) |
| H0522-02S | 2 | 20 |
| H0522-03S | 3 | 20 |
| H0522-04S | 4 | 20 |
| H0522-06S | 6 | 20 |
| H0522-08S | 8 | 25.5 |
| H0522-10S | 10 | 25.5 |
| H0522-12S | 12 | 25.5 |

*Remark: Circuits can be combined in parallel for bigger current, N circuits of 2A to get N*2A, such as 2 circuits of 2A in parallel for 4A use.

Technical Specification

| Mechanical | | Electrical | |
|------------------|----------------------------------|-----------------------|-----------------------------------|
| Spec | Data | Spec | Data |
| Working life | pls refer to product grade table | Rated voltage | 0~240VAC/VDC |
| Rotating speed | pls refer to product grade table | Insulation resistance | ≥500mΩ/500VDC |
| Working temp. | -30°C~80°C | Lead wire spec. | AWG26# Silver-plated teflon |
| Work humidity | 0~85% RH | Lead wire length | standard 300mm(can be customized) |
| Contact material | pls refer to produce grade table | Dielectric Strength | 500VAC@50Hz,60s |
| Housing material | AL alloy | Electrical noise | <0.01Ω |
| Torque | 0.05N.m (+0.02N.m/6circuits) | | |
| IP grade | IP51 | | |

Color code of Lead Wire

| ring# | 1 | 2 | 3 | 4 | 5 | 6 | 7 | 8 | 9 | 10 | 11 | 12 |
|-------|-----|-----|-----|-----|-----|-----|-----|-----|-----|-----|------|---------|
| color | BLK | BRN | RED | ORG | YEL | GRN | BLU | PUR | GRY | WHT | PINK | LGT BLU |

H0724 Series

H0729 series standard precise slip ring, integrated structure design, with through hole 7mm , OD29mm , suitable for rotating application which requires a through hole <=7mm (remark: if need a hole <7mm, can add a inner bushing)



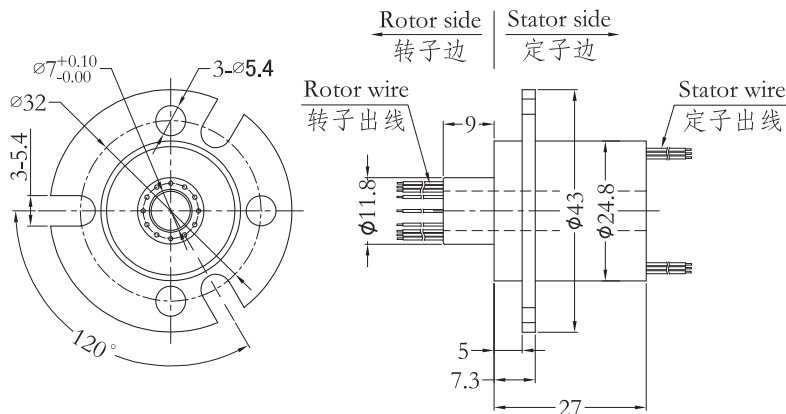
Part No. Description

H0724 - Signal circuits no. - Erodect grade

H:through hole slip ring
0724:ID 7mm, OD 24mm

Example:
06S:6circuits signal (0~2A)
12S:12circuits signal (0~2A)

Example:
C: standard level
D:Industrial level
H:High quality level



Standard Model List

| H0724 series model list | | |
|-------------------------|------------------------------|--------------|
| Part no. | Crcuits no. (signal or 0~2A) | Length L(mm) |
| H0724-02S | 2 | 26.7 |
| H0724-03S | 3 | 26.7 |
| H0724-04S | 4 | 26.7 |
| H0724-06S | 6 | 26.7 |
| H0724-08S | 8 | 26.7 |
| H0724-10S | 10 | 26.7 |
| H0724-12S | 12 | 26.7 |

*Remark: Circuits can be combined in parallel for bigger current,N circuits of 2A to get N*2A, such as 2 circuits of 2A in parallel for 4A use.

Technical Specification

| Mechanical | | Electrical | |
|------------------|----------------------------------|-----------------------|-----------------------------------|
| Spec | Data | Spec | Data |
| Working life | pls refer to product grade table | Rated voltage | 0~240VAC/VDC |
| Rotating speed | pls refer to product grade table | Insulation resistance | ≥500mΩ/500VDC |
| Working temp. | -30°C~80°C | Lead wire spec. | AWG26# Silver-plated teflon |
| Work humidity | 0~85% RH | Lead wire length | standard 300mm(can be customized) |
| Contact material | pls refer to produce grade table | Dielectric Strength | 500VAC@50Hz,60s |
| Housing material | AL alloy | Electrical noise | <0.01Ω |
| Torque | 0.05N.m (+0.02N.m/6circuits) | | |
| IP grade | IP51 | | |

Product Grade Table

| Grade code | Max rotating speed | Working life | Contact material |
|----------------|--------------------|--------------------------|------------------|
| C:standard | 250RPM | 20millisons revolutions | precious metal |
| D:industrial | 600RPM | 60millisons revolutions | precious metal |
| H:high quality | 1000RPM | 150millisons revolutions | gold alloy |

H0729 Series



H0729 series standard precise slip ring, integrated structure design, with through hole 7mm , OD29mm , suitable for rotating application which requires a through hole $\leq 7\text{mm}$ (remark: if need a hole $< 7\text{mm}$, can add a inner bushing)

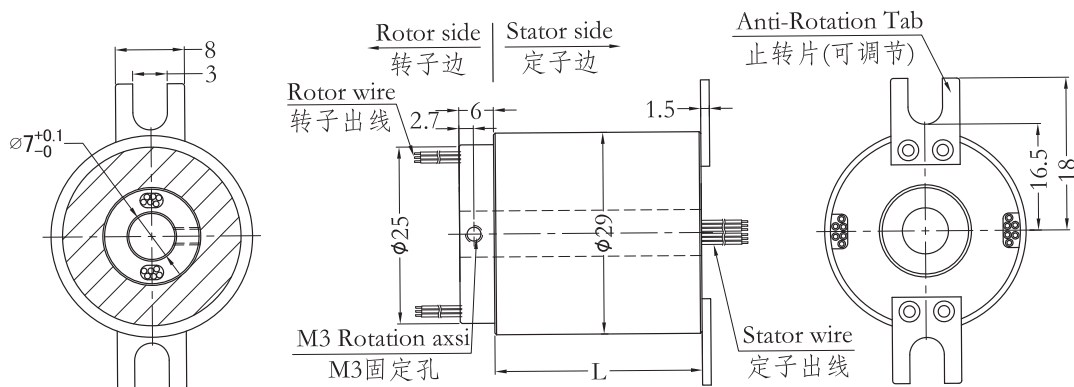
Part No. Description

H0729 - Signal circuits no. - Eproduct grade

H:through hole slip ring
0729:ID 7mm, OD 29mm

Example:
06S:6circuits signal (0~2A)
12S:12circuits signal (0~2A)

Example:
C: standard level
D:Industrial level
H:High quality level



Standard Model List

| H0729 series model list | | | |
|-------------------------|--------------|-------------------------------|--------------|
| Part no. | Circuits no. | | Length L(mm) |
| | 0~10A | Circuits no. (signal or 0~2A) | |
| H0729-02S | 0 | 2 | 30 |
| H0729-0210 | 2 | 0 | 30 |
| H0729-03S | 0 | 3 | 30 |
| H0729-0310 | 3 | 0 | 30 |
| H0729-04S | 0 | 4 | 30 |
| H0729-0210-04S | 2 | 4 | 30 |
| H0729-0410-02S | 4 | 2 | 30 |
| H0729-0610 | 6 | 0 | 30 |
| H0729-12S | 0 | 12 | 46.8 |
| H0729-0210-10S | 2 | 10 | 46.8 |
| H0729-0310-09S | 3 | 9 | 46.8 |
| H0729-0410-08S | 4 | 8 | 46.8 |
| H0729-0610-06S | 6 | 6 | 46.8 |
| H0729-0810-04S | 8 | 4 | 46.8 |
| H0729-1210 | 12 | 0 | 46.8 |

* Remark: Circuits can be combined in parallel for bigger current, N circuits of 5A to get $N \times 5\text{A}$, such as 2 circuits of 5A in parallel for 10A use.

Technical Specification

| Mechanical | | Electrical | |
|------------------|----------------------------------|-----------------------|-----------------------------------|
| Spec | Data | Spec | Data |
| Working life | pls refer to product grade table | Rated voltage | 0~240VAC/VDC |
| Rotating speed | pls refer to product grade table | Insulation resistance | ≥ 500mΩ/500VDC |
| Working temp. | -30°C~80°C | Lead wire spec. | AWG26# Silver-plated teflon |
| Work humidity | 0~85% RH | Lead wire length | standard 300mm(can be customized) |
| Contact material | pls refer to produce grade table | Dielectric Strength | 500VAC@50Hz,60s |
| Housing material | AL alloy | Electrical noise | <0.01Ω |
| Torque | 0.05N.m (+0.02N.m/6circuits) | | |
| IP grade | IP51 | | |

Product Grade Table

| Grade code | Max rotating speed | Working life | Contact material |
|----------------|--------------------|--------------------------|------------------|
| C:standard | 250RPM | 20millisons revolutions | precious metal |
| D:industrial | 600RPM | 60millisons revolutions | precious metal |
| H:high quality | 1000RPM | 150millisons revolutions | gold alloy |

H0835 Series

H0835series standard precise slip ring, integrated structure design, with through hole 8mm , OD35mm , suitable for rotating application which requires a through hole <=8mm (remark: if need a hole <8mm, can add a inner bushing)



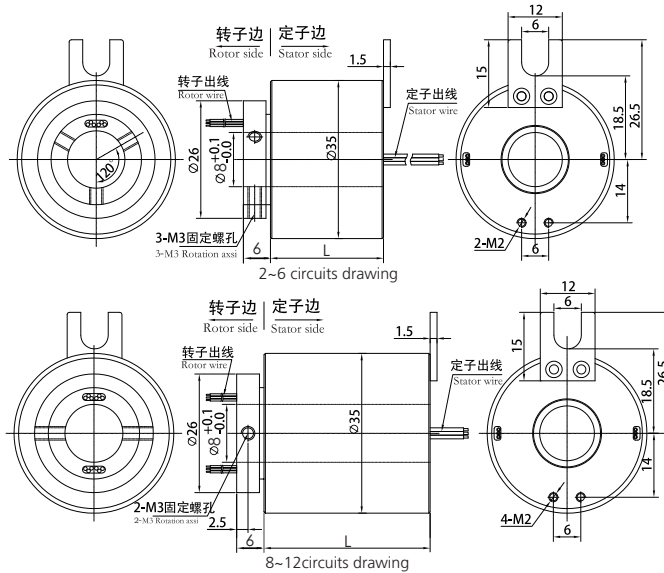
Part No. Description

H0835 - Signal circuits no. - Eroduct grade

H:through hole slip ring
0835:ID 8mm, OD 35mm

Example:
06S:6circuits signal (0~2A)
12S:12circuits signal (0~2A)

Example:
C: standard level
D:Industrial level
H:High quality level



Standard Model List

| H0835 series model list | | | |
|-------------------------|----------------------|--------------|--------------|
| Part no. | Max current /circuit | Circuits no. | Length L(mm) |
| H0835-0230 | 30A | 2 | 25 |
| H0835-0320 | 20A | 3 | 25 |
| H0835-0605 | 5A | 6 | 25 |
| H0835-0610 | 10A | 6 | 25 |
| H0835-1205 | 5A | 12 | 36.4 |

*Remark: Circuits can be combined in parallel for bigger current, N circuits of 2A to get N*2A, such as 2 circuits of 2A in parallel for 4A use.

Technical Specification

| Mechanical | | Electrical | |
|------------------|----------------------------------|-----------------------|-----------------------------------|
| Spec | Data | Spec | Data |
| Working life | pls refer to product grade table | Rated voltage | 0~440VAC/VDC |
| Rotating speed | pls refer to product grade table | Insulation resistance | ≥500mΩ/500VDC |
| Working temp. | -30°C~80°C | Lead wire spec. | AWG22# Silver-plated teflon |
| Work humidity | 0~85% RH | Lead wire length | standard 300mm(can be customized) |
| Contact material | pls refer to produce grade table | Dielectric Strength | 500VAC@50Hz,60s |
| Housing material | AL alloy | Electrical noise | <0.01Ω |
| Torque | 0.05N.m (+0.02N.m/6circuits) | | |
| IP grade | IP51 | | |

Product Grade Table

| Grade code | Max rotating speed | Working life | Contact material |
|----------------|--------------------|--------------------------|------------------|
| C:standard | 250RPM | 20millisons revolutions | precious metal |
| D:industrial | 600RPM | 60millisons revolutions | precious metal |
| H:high quality | 1000RPM | 150millisons revolutions | gold alloy |

H1235 Series

H1235 series standard precise slip ring, integrated structure design, with through hole 12mm , OD35mm , suitable for rotating application which requires a through hole <=35mm (remark: if need a hole <7mm, can add a inner bushing)



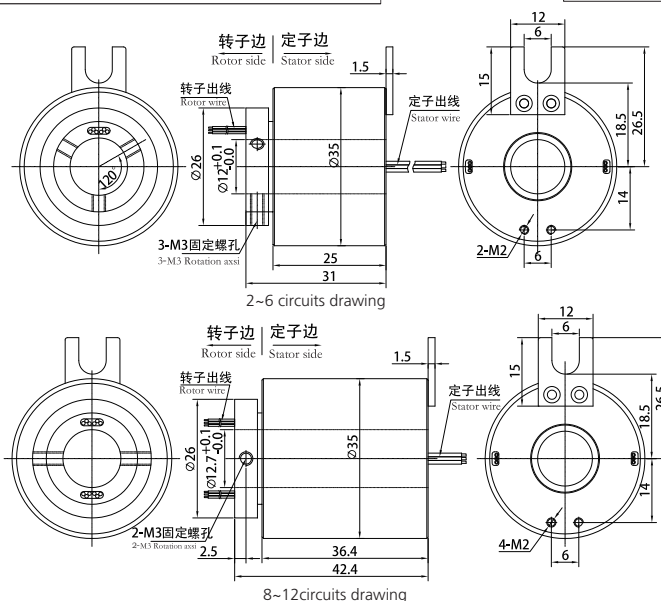
Part No. Description

1235:ID 12(1~6circuits)
/12.7mm(7~12circuits)
OD 35mm

Example:
0605:6circuits signal (0~5A)
1205:12circuits signal (0~5A)

H1235 - Signal circuits no. - Eroduct grade

Example:
C: standard level
D:Industrial level
H:High quality level



Standard Model List

| H1235 series model list | | |
|-------------------------|-------------------------------|--------------|
| Part no. | Circuits no. (signal or 0~2A) | Length L(mm) |
| H1235-0205 | 2 | 25 |
| H1235-0305 | 3 | 25 |
| H1235-0405 | 4 | 25 |
| H1235-0605 | 6 | 25 |
| H1235-0805 | 8 | 36.4 |
| H1235-1005 | 10 | 36.4 |
| H1235-1205 | 12 | 36.4 |

*Remark: Circuits can be combined in parallel for bigger current, N circuits of 2A to get N*2A, such as 2 circuits of 2A in parallel for 4A use.

Technical Specification

| Mechanical | | Electrical | |
|------------------|----------------------------------|-----------------------|-----------------------------------|
| Spec | Data | Spec | Data |
| Working life | pls refer to product grade table | Rated voltage | 0~240VAC/VDC |
| Rotating speed | pls refer to product grade table | Insulation resistance | ≥500mΩ/500VDC |
| Working temp. | -30°C~80°C | Lead wire spec. | AWG22# Silver-plated teflon |
| Work humidity | 0~85% RH | Lead wire length | standard 300mm(can be customized) |
| Contact material | pls refer to produce grade table | Dielectric Strength | 500VAC@50Hz,60s |
| Housing material | AL alloy | Electrical noise | <0.01Ω |
| Torque | 0.05N.m (+0.02N.m/6circuits) | | |
| IP grade | IP51 | | |

Product Grade Table

| Grade code | Max rotating speed | Working life | Contact material |
|----------------|--------------------|---------------------------|------------------|
| C:standard | 250RPM | 20millisnons revolutions | precious metal |
| D:industrial | 600RPM | 60millisnons revolutions | precious metal |
| H:high quality | 1000RPM | 150millisnons revolutions | gold alloy |

H1242 Series



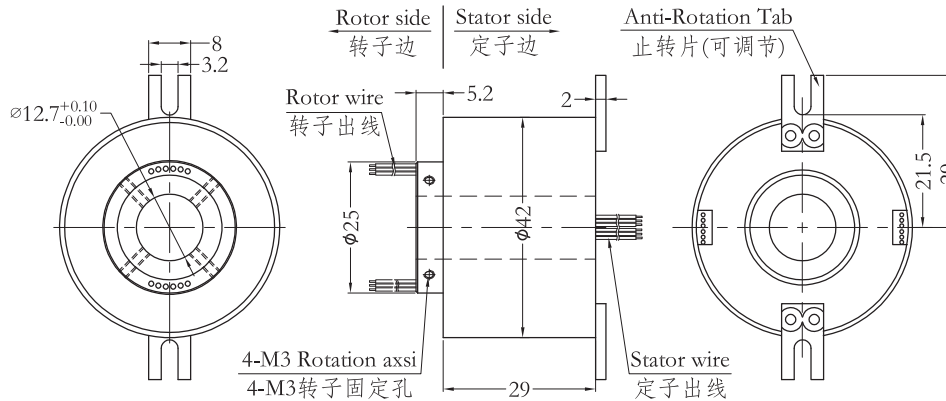
H1242 series standard precise slip ring, integrated structure design, with through hole 12.7mm , OD42mm , suitable for rotating application which requires a through hole <=42mm (remark: if need a hole <12.7mm, can add a inner bushing)

Part No. Description

H1242 - Signal circuits no. - Erodect grade

H:through hole slip ring
1242:ID 12.7mm, OD 42mm
Example:
06S:6circuits signal (0~2A)
12S:12circuits signal (0~2A)

Example:
C: standard level
D:Industrial level
H:High quality level



Standard Model List

| H1242 series model list | | |
|-------------------------|-------------------------------|--------------|
| Part no. | Circuits no. (signal or 0~2A) | Length L(mm) |
| H1242-02S | 2 | 29 |
| H1242-03S | 3 | 29 |
| H1242-04S | 4 | 29 |
| H1242-06S | 6 | 29 |
| H1242-08S | 8 | 29 |
| H1242-10S | 10 | 29 |
| H1242-12S | 12 | 29 |

*Remark: Circuits can be combined in parallel for bigger current, N circuits of 2A to get N*2A, such as 2 circuits of 2A in parallel for 4A use.

Technical Specification

| Mechanical | | Electrical | |
|------------------|----------------------------------|-----------------------|-----------------------------------|
| Spec | Data | Spec | Data |
| Working life | pls refer to product grade table | Rated voltage | 0~240VAC/VDC |
| Rotating speed | pls refer to product grade table | Insulation resistance | $\geq 500M\Omega$ /500VDC |
| Working temp. | -30°C~80°C | Lead wire spec. | AWG26# Silver-plated teflon |
| Work humidity | 0~85% RH | Lead wire length | standard 300mm(can be customized) |
| Contact material | pls refer to produce grade table | Dielectric Strength | 500VAC@50Hz, 60s |
| Housing material | AL alloy | Electrical noise | <0.01 Ω |
| Torque | 0.05N.m (+0.02N.m/6circuits) | | |
| IP grade | IP51 | | |

Product Grade Table

| Grade code | Max rotating speed | Working life | Contact material |
|----------------|--------------------|--------------------------|------------------|
| C:standard | 250RPM | 20millisons revolutions | precious metal |
| D:industrial | 600RPM | 60millisons revolutions | precious metal |
| H:high quality | 1000RPM | 150millisons revolutions | gold alloy |



H1256 Series

H1256 series standard precise slip ring, integrated structure design, with through hole 12.7mm , OD56mm , suitable for rotating application which requires a through hole $\leq 12.7\text{mm}$ (remark: if need a hole $< 12.7\text{mm}$, can add a inner bushing)

Part No. description

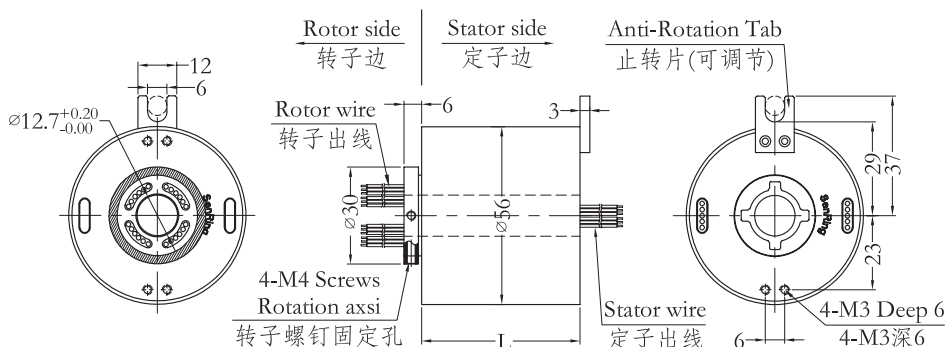
H1256 - Power circuits no. - Signal circuits no. - Erodect grade

H:through hole slip ring
1256:ID 12.7mm, OD 56mm

Example:
0610:6 circuits,10A per circuit
1220:2circuits,10A per circuit

Example:
C : standard level
D:Industrial level
H:High quality level

Example:
06S:6circuits signal (0~2A)
12S:12circuits signal (0~2A)



Standard Model List

| H1256 series model list | | | | | | | |
|-------------------------|----------|----------------|-----------------|----------------|----------|----------------|-----------------|
| Part no. | Circuits | | Length L(mm) | Part no. | Circuits | | Length L(mm) |
| | 10A | Signal or 0~5A | | | 10A | Signal or 0~5A | |
| H1256-02S | 0 | 2 | 27 | H1256-1010-08S | 10 | 8 | 71.5 |
| H1256-0210 | 2 | 0 | 27 | H1256-1210-06S | 12 | 6 | 71.5 |
| H1256-03S | 0 | 3 | 30 | H1256-1410-04S | 14 | 4 | 71.5 |
| H1256-0310 | 3 | 0 | 30 | H1256-1610-02S | 16 | 2 | 71.5 |
| H1256-06S | 0 | 6 | 38 | H1256-24S | 0 | 24 | 88.5 |
| H1256-0210-04S | 2 | 4 | 38 | H1256-0410-20S | 4 | 20 | 88.5 |
| H1256-0410-02S | 4 | 2 | 38 | H1256-0610-18S | 6 | 18 | 88.5 |
| H1256-0610 | 6 | 0 | 38 | H1256-1210-12S | 12 | 12 | 88.5 |
| H1256-12S | 0 | 12 | 55 | H1256-1810-06S | 18 | 6 | 88.5 |
| H1256-0210-10S | 2 | 10 | 55 | H1256-2410 | 24 | 0 | 88.5 |
| H1256-0310-09S | 3 | 9 | 55 | H1256-30S | 0 | 30 | 104 |
| H1256-0610-06S | 6 | 6 | 55 | H1256-0210-28S | 2 | 28 | 104 |
| H1256-0810-04S | 8 | 4 | 55 | H1256-0410-26S | 4 | 26 | 104 |
| H1256-1010-02S | 10 | 2 | 55 | H1256-0610-24S | 6 | 24 | 104 |
| H1256-1210 | 12 | 0 | 55 | H1256-36S | 0 | 36 | 122 |
| H1256-18S | 0 | 18 | 71.5 | H1256-0410-32S | 4 | 32 | 122 |
| H1256-0210-16S | 2 | 16 | 71.5 | H1256-0610-30S | 6 | 30 | 122 |
| H1256-0410-14S | 4 | 14 | 71.5 | H1256-42S | 0 | 42 | 140 |
| H1256-0610-12S | 6 | 12 | 71.5 | H1256-0410-38S | 4 | 38 | 140 |
| H1256-0810-10S | 8 | 10 | 71.5 | H1256-48S | 0 | 48 | 156 |

* Remark:Circuits can be combined in parallel for bigger current, N circuits of 10A to get N*10A,such as 2 circuits of 10A in parallel for 20A use. 10A circuits No. and signal circuits (5A) No. can be customized based on standard products,pls inquiry Senring for details.

Technical Specification

| Mechanical | | Electrical | | |
|------------------|----------------------------------|-----------------------|-----------------------------------|--------------------------------|
| Spec | Data | Spec | Data | |
| Working life | pls refer to product grade table | | Power | Signal |
| Rotating speed | pls refer to product grade table | Rated voltage | 0~440VAC/VDC | 0~440VAC/VDC |
| Working temp. | -30°C~80°C | Insulation resistance | ≥1000mΩ/500VDC | ≥1000mΩ/500VDC |
| Work humidity | 0~85% RH | Lead wire spec | AWG17# Silver-plated teflon | AWG22# Silver-plated teflon |
| Contact material | pls refer to produce grade table | Lead wire length | standard 300mm(can be customized) | |
| Housing material | AL alloy | Dielectric Strength | 800VAC@50Hz,60s | |
| Torque | 0.05N.m (+0.02N.m/6circuits) | Electrical noise | <0.01Ω | |
| IP grade | IP51 | | | |

Product Grade Table

| Grade code | Max rotating speed | Working life | Contact material |
|----------------|--------------------|--------------------------|------------------|
| C:standard | 250RPM | 20millisons revolutions | precious metal |
| D:industrial | 600RPM | 60millisons revolutions | precious metal |
| H:high quality | 1000RPM | 150millisons revolutions | gold alloy |

Color code of Lead Wire

| | | | | | | | | | | | | |
|-------|---------|---------|---------|---------|---------|---------|---------|---------|---------|---------|---------|-------------|
| ring# | 1 | 2 | 3 | 4 | 5 | 6 | 7 | 8 | 9 | 10 | 11 | 12 |
| color | BLK | BRN | RED | ORG | YEL | GRN | BLU | PUR | GRY | WHT | PINK | LGT BLU |
| ring# | 13 | 14 | 15 | 16 | 17 | 18 | 19 | 20 | 21 | 22 | 23 | 24 |
| color | WHT/BLK | WHT/BRN | WHT/RED | WHT/ORG | WHT/YEL | WHT/GRN | WHT/BLU | WHT/PUR | WHT/GRY | BLK/RED | BLK/BRN | Transparent |

Remark: "1" : the first wire from rotor side , H1256-06Swire color sequence: BLK/BRN/RED/ORG/WHT/GRN , 24 color wires as one group , if more than 24wires, repeat as sequence , use number tube to tell group 1#, 2#....

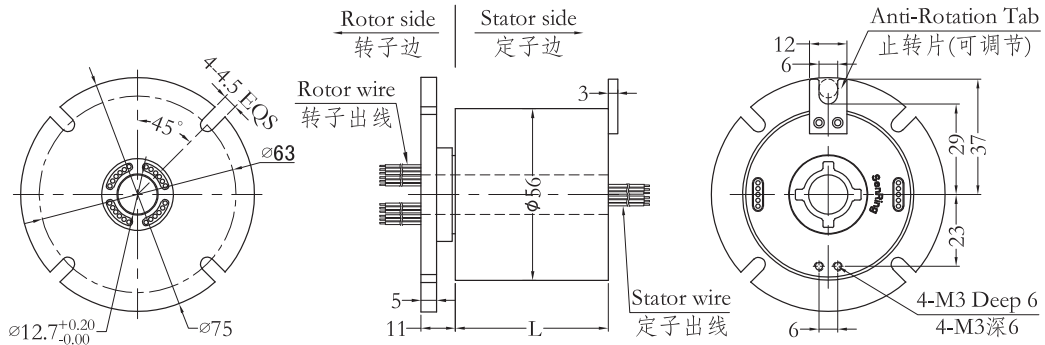


H1256 F Series

H1256F series standard precise slip ring with flange, integrated structure design, with through hole 12.7mm , OD56mm , suitable for rotating application which requires a through hole $\leq 12.7\text{mm}$ (remark: if need a hole $< 12.7\text{mm}$, can add a inner bushing) (remark: if need a hole $< 12.7\text{mm}$, can add a inner bushing)

Part No. description

| | | |
|---|--|--|
| <p>H1256 - F - Power circuits no. - Signal circuits no. - Eproduct grade</p> <p>H:through hole slip ring 1256:ID 12.7mm, OD 56mm</p> <p>F:with rotor flange(optional)</p> <p>Example: 0610:6 circuits,10A per circuit 1220:2circuits,10A per circuit</p> | | <p>Example: C: standard level D:Industrial level H:High quality level</p> <p>Example: 06S:6circuits signal (0~2A) 12S:12circuits signal (0~2A)</p> |
|---|--|--|



Standard Model List

| H1256F series model list | | | | | | | |
|--------------------------|----------|----------------|--------------|-----------------|----------|----------------|--------------|
| Part no. | Circuits | | Length L(mm) | Part no. | Circuits | | Length L(mm) |
| | 10A | Signal or 0~5A | | | 10A | Signal or 0~5A | |
| H1256F-02S | 0 | 2 | 27 | H1256F-1010-08S | 10 | 8 | 71.5 |
| H1256F-0210 | 2 | 0 | 27 | H1256F-1210-06S | 12 | 6 | 71.5 |
| H1256F-03S | 0 | 3 | 30 | H1256F-1410-04S | 14 | 4 | 71.5 |
| H1256F-0310 | 3 | 0 | 30 | H1256F-1610-02S | 16 | 2 | 71.5 |
| H1256F-06S | 0 | 6 | 38 | H1256F-24S | 0 | 24 | 88.5 |
| H1256F-0210-04S | 2 | 4 | 38 | H1256F-0410-20S | 4 | 20 | 88.5 |
| H1256F-0410-02S | 4 | 2 | 38 | H1256F-0610-18S | 6 | 18 | 88.5 |
| H1256F-0610 | 6 | 0 | 38 | H1256F-1210-12S | 12 | 12 | 88.5 |
| H1256F-12S | 0 | 12 | 55 | H1256F-1810-06S | 18 | 6 | 88.5 |
| H1256F-0210-10S | 2 | 10 | 55 | H1256F-2410 | 24 | 0 | 88.5 |
| H1256F-0310-09S | 3 | 9 | 55 | H1256F-30S | 0 | 30 | 104 |
| H1256F-0610-06S | 6 | 6 | 55 | H1256F-0210-28S | 2 | 28 | 104 |
| H1256F-0810-04S | 8 | 4 | 55 | H1256F-0410-26S | 4 | 26 | 104 |
| H1256F-1010-02S | 10 | 2 | 55 | H1256F-0610-24S | 6 | 24 | 104 |
| H1256F-1210 | 12 | 0 | 55 | H1256F-36S | 0 | 36 | 122 |
| H1256F-18S | 0 | 18 | 71.5 | H1256F-0410-32S | 4 | 32 | 122 |
| H1256F-0210-16S | 2 | 16 | 71.5 | H1256F-0610-30S | 6 | 30 | 122 |
| H1256F-0410-14S | 4 | 14 | 71.5 | H1256F-42S | 0 | 42 | 140 |
| H1256F-0610-12S | 6 | 12 | 71.5 | H1256F-0410-38S | 4 | 38 | 140 |
| H1256F-0810-10S | 8 | 10 | 71.5 | H1256F-48S | 0 | 48 | 156 |

*Remark:Circuits can be combined in parallel for bigger current,N circuits of 10A to get N*10A, such as 2 circuits of 10A in parallel for 20A use. 10A circuits No. and signal circuits (5A) No. can be customized based on standard products,pls inquiry Senring for details.

Technical Specification

| Mechanical | | Electrical | | |
|------------------|----------------------------------|-----------------------|-----------------------------------|--------------------------------|
| Spec | Data | Spec | Data | |
| Working life | pls refer to product grade table | | Power | Signal |
| Rotating speed | pls refer to product grade table | Rated voltage | 0~440VAC/VDC | 0~440VAC/VDC |
| Working temp. | -30°C~80°C | Insulation resistance | ≥ 1000mΩ/500VDC | ≥ 1000mΩ/500VDC |
| Work humidity | 0~85% RH | Lead wire spec | AWG17# Silver-plated teflon | AWG22# Silver-plated teflon |
| Contact material | pls refer to produce grade table | Lead wire length | standard 300mm(can be customized) | |
| Housing material | AL alloy | Dielectric Strength | 800VAC@50Hz,60s | |
| Torque | 0.05N.m (+0.02N.m/6circuits) | Electrical noise | <0.01Ω | |
| IP grade | IP51 | | | |

Product Grade Table

| Grade code | Max rotating speed | Working life | Contact material |
|----------------|--------------------|--------------------------|------------------|
| C:standard | 250RPM | 20millisons revolutions | precious metal |
| D:industrial | 600RPM | 60millisons revolutions | precious metal |
| H:high quality | 1000RPM | 150millisons revolutions | gold alloy |

Color code of Lead Wire

| | | | | | | | | | | | | |
|-------|---------|---------|---------|---------|---------|---------|---------|---------|---------|---------|---------|-------------|
| ring# | 1 | 2 | 3 | 4 | 5 | 6 | 7 | 8 | 9 | 10 | 11 | 12 |
| color | BLK | BRN | RED | ORG | YEL | GRN | BLU | PUR | GRY | WHT | PINK | LGT BLU |
| ring# | 13 | 14 | 15 | 16 | 17 | 18 | 19 | 20 | 21 | 22 | 23 | 24 |
| color | WHT/BLK | WHT/BRN | WHT/RED | WHT/ORG | WHT/YEL | WHT/GRN | WHT/BLU | WHT/PUR | WHT/GRY | BLK/RED | BLK/BRN | Transparent |

Remark: "1" : the first wire from rotor side ,H1256F-06S wire color sequence: BLK/BRN/RED/ORG/WHT/GRN , 24 color wires as one group , if more than 24wires, repeat as sequence , use number tube to tell group 1#, 2#....



H1286 Series

H1286 series standard precise slip ring, integrated structure design, with through hole 12.7mm , OD86mm , suitable for rotating application which requires a through hole $\leq 12.7\text{mm}$ (remark: if need a hole $< 12.7\text{mm}$, can add a inner bushing)

Part No. description

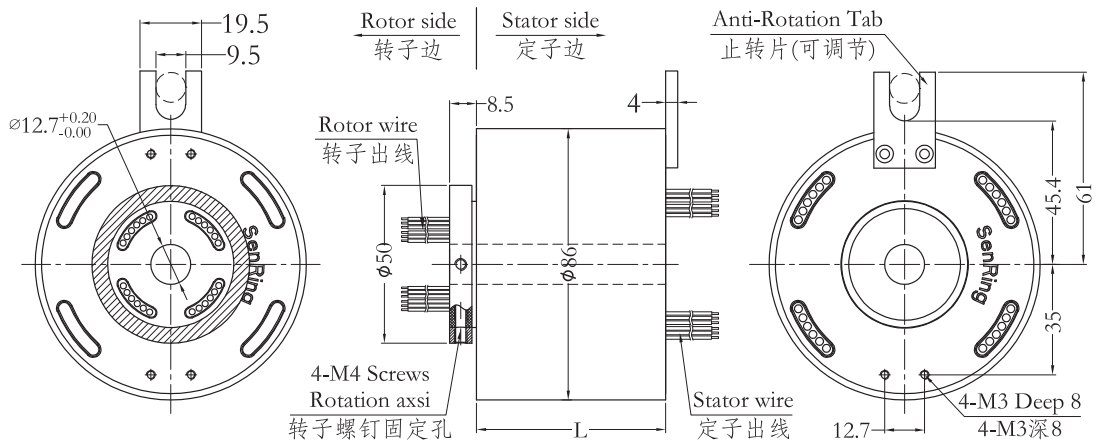
H1286 - Power circuits no. - Signal circuits no. - Eproduct grade

H:through hole slip ring
1286:ID 12.7mm, OD 86mm

Example:
0610:6 circuits,10A per circuit
1220:2circuits,10A per circuit

Example:
C: standard level
D:Industrial level
H:High quality level

Example:
06S:6circuits signal (0~2A)
12S:12circuits signal (0~2A)



Standard Model List

| H1286 series model list | | | | | | | |
|-------------------------|-----|----------------|--------------|----------------|-----|----------------|--------------|
| Part no | 10A | Signal or 0~5A | Length L(mm) | Part no. | 10A | Signal or 0~5A | Length L(mm) |
| H1286-02S | 0 | 2 | 32 | H1286-2410-06S | 24 | 6 | 144 |
| H1286-0210 | 2 | 0 | 32 | H1286-3010 | 30 | 0 | 144 |
| H1286-03S | 0 | 3 | 36 | H1286-36S | 0 | 36 | 168 |
| H1286-0310 | 3 | 0 | 36 | H1286-0610-30S | 6 | 30 | 168 |
| H1286-06S | 0 | 6 | 48 | H1286-1210-S24 | 12 | 24 | 168 |
| H1286-0210-04S | 2 | 4 | 48 | H1286-3610 | 36 | 0 | 168 |
| H1286-0410-02S | 4 | 2 | 48 | H1286-42S | 0 | 42 | 192 |
| H1286-0610 | 6 | 0 | 48 | H1286-0610-36S | 6 | 36 | 192 |
| H1286-12S | 0 | 12 | 72 | H1286-1210-30S | 12 | 30 | 192 |
| H1286-0210-10S | 2 | 10 | 72 | H1286-4210 | 42 | 0 | 192 |
| H1286-0310-09S | 3 | 9 | 72 | H1286-48S | 0 | 48 | 216 |
| H1286-0610-06S | 6 | 6 | 72 | H1286-0610-42S | 6 | 42 | 216 |
| H1286-0810-04S | 8 | 4 | 72 | H1286-1210-36S | 12 | 36 | 216 |
| H1286-1010-02S | 10 | 2 | 72 | H1286-1810-30S | 18 | 30 | 216 |
| H1286-1210 | 12 | 0 | 72 | H1286-2410-24S | 24 | 24 | 216 |
| H1286-18S | 0 | 18 | 96 | H1286-4810 | 48 | 0 | 216 |
| H1286-0210-16S | 2 | 16 | 96 | H1286-60S | 0 | 60 | 264 |
| H1286-0410-14S | 4 | 14 | 96 | H1286-0610-54S | 6 | 54 | 264 |
| H1286-0610-12S | 6 | 12 | 96 | H1286-0910-51S | 9 | 51 | 264 |
| H1286-0810-10S | 8 | 10 | 96 | H1286-1210-48S | 12 | 48 | 264 |
| H1286-1010-08S | 10 | 8 | 96 | H1286-2410-36S | 24 | 36 | 264 |
| H1286-1210-06S | 12 | 6 | 96 | H1286-72S | 0 | 72 | 312 |

| H1286 series model list | | | | | | | |
|-------------------------|-----|----------------|--------------|----------------|-----|----------------|--------------|
| Part no | 10A | Signal or 0~5A | Length L(mm) | Part no. | 10A | Signal or 0~5A | Length L(mm) |
| H1286-1410-04S | 14 | 4 | 96 | H1286-1210-60S | 12 | 60 | 312 |
| H1286-1610-02S | 16 | 2 | 96 | H1286-2410-48S | 24 | 48 | 312 |
| H1286-24S | 0 | 24 | 120 | H1286-3610-36S | 36 | 36 | 312 |
| H1286-0410-20S | 4 | 20 | 120 | H1286-84S | 0 | 84 | 360 |
| H1286-0610-18S | 6 | 18 | 120 | H1286-1210-72S | 12 | 72 | 360 |
| H1286-1210-12S | 12 | 12 | 120 | H1286-2410-60S | 24 | 60 | 360 |
| H1286-1810-06S | 18 | 6 | 120 | H1286-3610-48S | 36 | 48 | 360 |
| H1286-2410 | 24 | 0 | 120 | H1286-96S | 0 | 96 | 408 |
| H1286-30S | 0 | 30 | 144 | H1286-1210-84S | 12 | 84 | 408 |
| H1286-0610-24S | 6 | 24 | 144 | H1286-2410-72S | 24 | 72 | 408 |
| H1286-1210-18S | 12 | 18 | 144 | H1286-3610-60S | 36 | 60 | 408 |
| H1286-1810-12S | 18 | 12 | 144 | H1286-4210-54S | 42 | 54 | 408 |

*Remark: Circuits can be combined in parallel for bigger current, N circuits of 10A to get N*10A, such as 2 circuits of 10A in parallel for 20A use. 10A circuits No. and signal circuits (5A) No. can be customized based on standard products, pls inquiry Senring for details.

Technical Specification

| Mechanical | | Electrical | | |
|------------------|----------------------------------|-----------------------|-----------------------------------|--------------------------------|
| Spec | Data | Spec | Data | |
| Working life | pls refer to product grade table | | Power | Signal |
| Rotating speed | pls refer to product grade table | Rated voltage | 0~690VAC/VDC | 0~440VAC/VDC |
| Working temp. | -30°C~80°C | Insulation resistance | ≥1000mΩ/500VDC | ≥1000mΩ/500VDC |
| Work humidity | 0~85% RH | Lead wire spec | AWG17# Silver-plated teflon | AWG22# Silver-plated teflon |
| Contact material | pls refer to produce grade table | Lead wire length | standard 300mm(can be customized) | |
| Housing material | AL alloy | Dielectric Strength | 800VAC@50Hz,60s | |
| Torque | 0.05N.m (+0.02N.m/6circuits) | Electrical noise | <0.01Ω | |
| IP grade | IP51 | | | |

Product Grade Table

| Grade code | Max rotating speed | Working life | Contact material |
|----------------|--------------------|--------------------------|------------------|
| C:standard | 400RPM | 20millisons revolutions | precious metal |
| D:industrial | 800RPM | 60millisons revolutions | precious metal |
| H:high quality | 1200RPM | 150millisons revolutions | gold alloy |

Color code of Lead Wire

| | | | | | | | | | | | | |
|-------|---------|---------|---------|---------|---------|---------|---------|---------|---------|---------|---------|-------------|
| ring# | 1 | 2 | 3 | 4 | 5 | 6 | 7 | 8 | 9 | 10 | 11 | 12 |
| color | BLK | BRN | RED | ORG | YEL | GRN | BLU | PUR | GRY | WHT | PINK | LGT BLU |
| ring# | 13 | 14 | 15 | 16 | 17 | 18 | 19 | 20 | 21 | 22 | 23 | 24 |
| color | WHT/BLK | WHT/BRN | WHT/RED | WHT/ORG | WHT/YEL | WHT/GRN | WHT/BLU | WHT/PUR | WHT/GRY | BLK/RED | BLK/BRN | Transparent |

Remark: "1" : the first wire from rotor side ,H1286-06Swire color sequence: BLK/BRN/RED/ORG/WHT/GRN , 24 color wires as one group , if more than 24wires, repeat as sequence , use number tube to tell group 1#, 2#....



H1532 Series

H1532 series standard precise slip ring, integrated structure design, with through hole 15mm , OD32.8mm , suitable for rotating application which requires a through hole <=15mm (remark: if need a hole <15mm, can add a inner bushing)

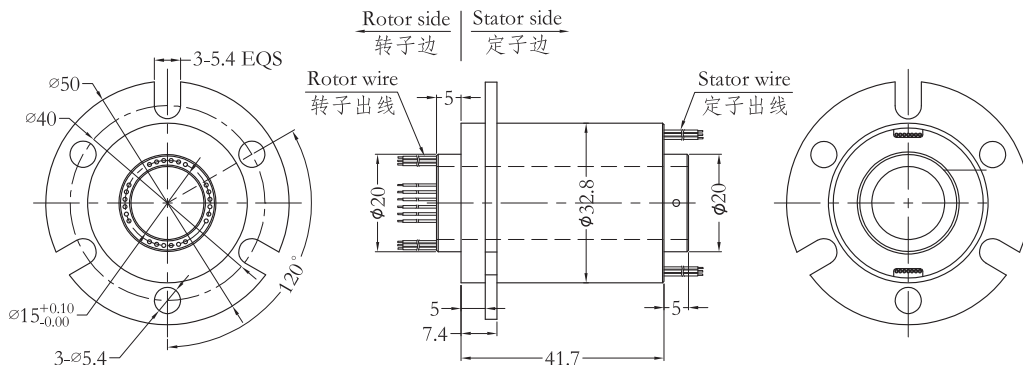
Part No. description

H1532 - Signal circuits no. - Eproduct grade

H:through hole slip ring
1532:ID 15mm, OD 32mm

Example:
06S:6circuits signal (0~2A)
12S:12circuits signal (0~2A)

Example:
C: standard level
D:Industrial level
H:High quality level



Standard Model List

| H1532 series model list | | |
|-------------------------|----------------|--------------|
| Part no. | Signal or 0~2A | Length L(mm) |
| H1532-06S | 6 | 41.7 |
| H1532-12S | 12 | 41.7 |
| H1532-18S | 18 | 41.7 |
| H1532-24S | 24 | 41.7 |

* Remark: Circuits can be combined in parallel for bigger current,N circuits of 2A to get N*2A, such as 2 circuits of 2A in parallel for 4A use.

Technical Specification

| Mechanical | | Electrical | |
|------------------|----------------------------------|-----------------------|-----------------------------------|
| Spec | Data | Spec | Data |
| Working life | pls refer to product grade table | Rated voltage | 0~240VAC/VDC |
| Rotating speed | pls refer to product grade table | Insulation resistance | ≥500mΩ/500VDC |
| Working temp. | -30°C~80°C | Lead wire spec. | AWG28# Silver-plated teflon |
| Work humidity | 0~85% RH | Lead wire length | standard 300mm(can be customized) |
| Contact material | pls refer to produce grade table | Dielectric Strength | 500VAC@50Hz,60s |
| Housing material | AL alloy | Electrical noise | <0.01Ω |
| Torque | 0.05N.m (+0.02N.m/6circuits) | | |
| IP grade | IP51 | | |

Product Grade Table

| Grade code | Max rotating speed | Working life | Contact material |
|----------------|--------------------|--------------------------|------------------|
| C:standard | 250RPM | 20millisons revolutions | precious metal |
| D:industrial | 600RPM | 60millisons revolutions | precious metal |
| H:high quality | 1000RPM | 150millisons revolutions | gold alloy |

H2056 Series



H2056 series standard precise slip ring, integrated structure design, with through hole 20mm , OD56mm , suitable for rotating application which requires a through hole $\leq 20\text{mm}$ (remark: if need a hole $< 20\text{mm}$, can add a inner bushing)

Part No. description

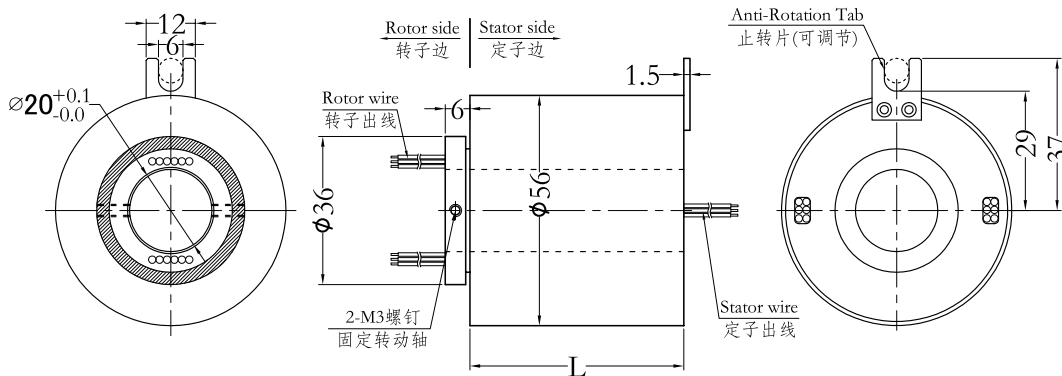
H2056 - Power circuits no. - Signal circuits no. - Eproduct grade

H:through hole slip ring
1286:ID 20mm, OD 56mm

Example:
0610:6 circuits,10A per circuit
1220:2circuits,10A per circuit

Example:
C: standard level
D:Industrial level
H:High quality level

Example:
06S:6circuits signal (0~2A)
12S:12circuits signal (0~2A)



Standard Model List

| H2056 series model list | | | | | | | |
|-------------------------|----------|----------------|-----------------|----------------|----------|----------------|-----------------|
| Part no. | Circuits | | Length L(mm) | Part no. | Circuits | | Length L(mm) |
| | 10A | Signal or 0~5A | | | 10A | Signal or 0~5A | |
| H2056-02S | 0 | 2 | 23 | H2056-1010-08S | 10 | 8 | 68.5 |
| H2056-0210 | 2 | 0 | 23 | H2056-1210-06S | 12 | 6 | 68.5 |
| H2056-03S | 0 | 3 | 26 | H2056-1410-04S | 14 | 4 | 68.5 |
| H2056-0310 | 3 | 0 | 26 | H2056-1610-02S | 16 | 2 | 68.5 |
| H2056-06S | 0 | 6 | 34 | H2056-24S | 0 | 24 | 85.5 |
| H2056-0210-04S | 2 | 4 | 34 | H2056-0410-20S | 4 | 20 | 85.5 |
| H2056-0410-02S | 4 | 2 | 34 | H2056-0610-18S | 6 | 18 | 85.5 |
| H2056-0610 | 6 | 0 | 34 | H2056-1210-12S | 12 | 12 | 85.5 |
| H2056-12S | 0 | 12 | 52 | H2056-1810-06S | 18 | 6 | 85.5 |
| H2056-0210-10S | 2 | 10 | 52 | H2056-2410 | 24 | 0 | 85.5 |
| H2056-0310-09S | 3 | 9 | 52 | H2056-30S | 0 | 30 | 101 |
| H2056-0610-06S | 6 | 6 | 52 | H2056-0210-28S | 2 | 28 | 101 |
| H2056-0810-04S | 8 | 4 | 52 | H2056-0410-26S | 4 | 26 | 101 |
| H2056-1010-02S | 10 | 2 | 52 | H2056-0610-24S | 6 | 24 | 101 |
| H2056-1210 | 12 | 0 | 52 | H2056-36S | 0 | 36 | 119 |
| H2056-18S | 0 | 18 | 68.5 | H2056-0410-32S | 4 | 32 | 119 |
| H2056-0210-16S | 2 | 16 | 68.5 | H2056-0610-30S | 6 | 30 | 119 |
| H2056-0410-14S | 4 | 14 | 68.5 | H2056-42S | 0 | 42 | 137 |
| H2056-0610-12S | 6 | 12 | 68.5 | H2056-0410-38S | 4 | 38 | 137 |
| H2056-0810-10S | 8 | 10 | 68.5 | H2056-48S | 0 | 48 | 153 |

*Remark:Circuits can be combined in parallel for bigger current,N circuits of 10A to get N*10A, such as 2 circuits of 10A in parallel for 20A use.10A circuits No. and signal circuits (5A) No. can be customized based on standard products, pls inquiry Senring for details.

Technical Specification

| Mechanical | | Electrical | | |
|------------------|----------------------------------|-----------------------|-----------------------------------|--------------------------------|
| Spec | Data | Spec | Data | |
| Working life | pls refer to product grade table | | Power | Signal |
| Rotating speed | pls refer to product grade table | Rated voltage | 0~440VAC/VDC | 0~440VAC/VDC |
| Working temp. | -30°C~80°C | Insulation resistance | ≥1000mΩ/500VDC | ≥1000mΩ/500VDC |
| Work humidity | 0~85% RH | Lead wire spec | AWG17# Silver-plated teflon | AWG22# Silver-plated teflon |
| Contact material | pls refer to produce grade table | Lead wire length | standard 300mm(can be customized) | |
| Housing material | AL alloy | Dielectric Strength | 800VAC@50Hz,60s | |
| Torque | 0.05N.m (0.02N.m/6circuits) | Electrical noise | <0.01Ω | |
| IP grade | IP51 | | | |

Product Grade Table

| Grade code | Max rotating speed | Working life | Contact material |
|----------------|--------------------|--------------------------|------------------|
| C:standard | 400RPM | 20millisons revolutions | precious metal |
| D:industrial | 800RPM | 60millisons revolutions | precious metal |
| H:high quality | 1200RPM | 150millisons revolutions | gold alloy |

Color code of Lead Wire

| | | | | | | | | | | | | |
|-------|---------|---------|---------|---------|---------|---------|---------|---------|---------|---------|---------|-------------|
| ring# | 1 | 2 | 3 | 4 | 5 | 6 | 7 | 8 | 9 | 10 | 11 | 12 |
| color | BLK | BRN | RED | ORG | YEL | GRN | BLU | PUR | GRY | WHT | PINK | LGT BLU |
| ring# | 13 | 14 | 15 | 16 | 17 | 18 | 19 | 20 | 21 | 22 | 23 | 24 |
| color | WHT/BLK | WHT/BRN | WHT/RED | WHT/ORG | WHT/YEL | WHT/GRN | WHT/BLU | WHT/PUR | WHT/GRY | BLK/RED | BLK/BRN | Transparent |

Remark: "1" : the first wire from rotor side , H2056-06S wire color sequence: BLK/BRN/RED/ORG/WHT/GRN , 24 color wires as one group , if more than 24wires, repeat as sequence , use number tube to tell group 1#, 2#....

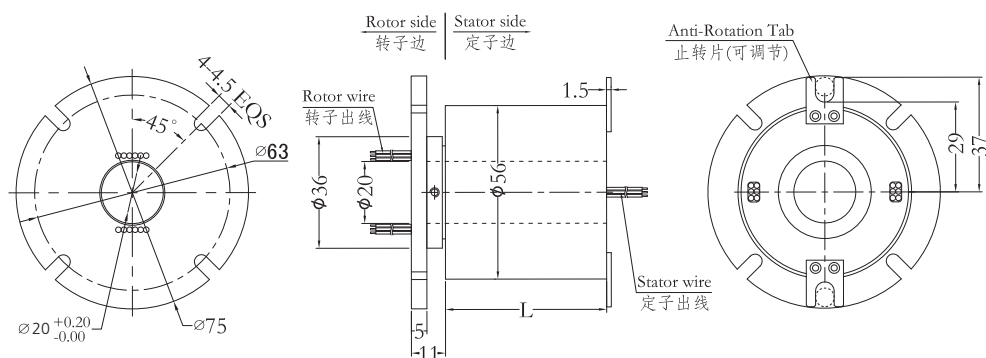
H2056F Series



H2056F series standard precise slip ring with flange, integrated structure design, with through hole 20mm , OD56mm , suitable for rotating application which requires a through hole $\leq 20\text{mm}$ (remark: if need a hole $< 20\text{mm}$, can add a inner bushing)

Part No. description

| H2056 - F - Power circuits no. - Signal circuits no. - Erodect grade | |
|---|---|
| H:through hole slip ring 2056:ID 20mm, OD 56mm | Example: C: standard level D:Industrial level H:High quality level |
| F:with rotor flange(optional) | |
| Example: 0610:6 circuits,10A per circuit 1220:2circuits,10A per circuit | Example: 06S:6circuits signal (0~2A) 12S:12circuits signal (0~2A) |



Standard Model List

| H2056F series model list | | | | | | | |
|--------------------------|----------|----------------|-----------------|-----------------|----------|----------------|-----------------|
| Part no. | Circuits | | Length L(mm) | Part no. | Circuits | | Length L(mm) |
| | 10A | Signal or 0~5A | | | 10A | Signal or 0~5A | |
| H2056F-02S | 0 | 2 | 23 | H2056F-1010-08S | 10 | 8 | 68.5 |
| H2056F-0210 | 2 | 0 | 23 | H2056F-1210-06S | 12 | 6 | 68.5 |
| H2056F-03S | 0 | 3 | 26 | H2056F-1410-04S | 14 | 4 | 68.5 |
| H2056F-0310 | 3 | 0 | 26 | H2056F-1610-02S | 16 | 2 | 68.5 |
| H2056F-06S | 0 | 6 | 34 | H2056F-24S | 0 | 24 | 85.5 |
| H2056F-0210-04S | 2 | 4 | 34 | H2056F-0410-20S | 4 | 20 | 85.5 |
| H2056F-0410-02S | 4 | 2 | 34 | H2056F-0610-18S | 6 | 18 | 85.5 |
| H2056F-0610 | 6 | 0 | 34 | H2056F-1210-12S | 12 | 12 | 85.5 |
| H2056F-12S | 0 | 12 | 52 | H2056F-1810-06S | 18 | 6 | 85.5 |
| H2056F-0210-10S | 2 | 10 | 52 | H2056F-2410 | 24 | 0 | 85.5 |
| H2056F-0310-09S | 3 | 9 | 52 | H2056F-30S | 0 | 30 | 101 |
| H2056F-0610-06S | 6 | 6 | 52 | H2056F-0210-28S | 2 | 28 | 101 |
| H2056F-0810-04S | 8 | 4 | 52 | H2056F-0410-26S | 4 | 26 | 101 |
| H2056F-1010-02S | 10 | 2 | 52 | H2056F-0610-24S | 6 | 24 | 101 |
| H2056F-1210 | 12 | 0 | 52 | H2056F-36S | 0 | 36 | 119 |
| H2056F-18S | 0 | 18 | 68.5 | H2056F-0410-32S | 4 | 32 | 119 |
| H2056F-0210-16S | 2 | 16 | 68.5 | H2056F-0610-30S | 6 | 30 | 119 |
| H2056F-0410-14S | 4 | 14 | 68.5 | H2056F-42S | 0 | 42 | 137 |
| H2056F-0610-12S | 6 | 12 | 68.5 | H2056F-0410-38S | 4 | 38 | 137 |
| H2056F-0810-10S | 8 | 10 | 68.5 | H2056F-48S | 0 | 48 | 153 |

*Remark:Circuits can be combined in parallel for bigger current, N circuits of 10A to get N*10A,such as 2 circuits of 10A in parallel for 20A use.10A circuits No. and signal circuits (5A) No. can be customized based on standard products,pls inquiry Senring for details.

Technical Specification

| Spec | Mechanical | | Electrical | |
|------------------|----------------------------------|------|-----------------------|-----------------------------------|
| | Spec | Data | Spec | Data |
| Working life | pls refer to product grade table | | Power | Signal |
| Rotating speed | pls refer to product grade table | | Rated voltage | 0~440VAC/VDC |
| Working temp. | -30°C~80°C | | Insulation resistance | ≥1000mΩ/500VDC |
| Work humidity | 0~85% RH | | Lead wire spec | AWG17# Silver-plated teflon |
| Contact material | pls refer to produce grade table | | Lead wire length | standard 300mm(can be customized) |
| Housing material | AL alloy | | Dielectric Strength | 800VAC@50Hz,60s |
| Torque | 0.05N.m (+0.02N.m/6circuits) | | Electrical noise | <0.01Ω |
| IP grade | IP51 | | | |

Product Grade Table

| Grade code | Max rotating speed | Working life | Contact material |
|----------------|--------------------|--------------------------|------------------|
| C:standard | 400RPM | 20millisons revolutions | precious metal |
| D:industrial | 800RPM | 60millisons revolutions | precious metal |
| H:high quality | 1200RPM | 150millisons revolutions | gold alloy |

Color code of Lead Wire

| | | | | | | | | | | | | |
|-------|---------|---------|---------|---------|---------|---------|---------|---------|---------|---------|---------|-------------|
| ring# | 1 | 2 | 3 | 4 | 5 | 6 | 7 | 8 | 9 | 10 | 11 | 12 |
| color | BLK | BRN | RED | ORG | YEL | GRN | BLU | PUR | GRY | WHT | PINK | LGT BLU |
| ring# | 13 | 14 | 15 | 16 | 17 | 18 | 19 | 20 | 21 | 22 | 23 | 24 |
| color | WHT/BLK | WHT/BRN | WHT/RED | WHT/ORG | WHT/YEL | WHT/GRN | WHT/BLU | WHT/PUR | WHT/GRY | BLK/RED | BLK/BRN | Transparent |

Remark:"1" : the first wire from rotor side , H2056F-06S wire color sequence: BLK/BRN/RED/ORG/WHT/GRN , 24 color wires as one group , if more than 24wires, repeat as sequence , use number tube to tell group 1#, 2#....

H2069 Series



H2069 series standard precise slip ring, integrated structure design, with through hole 20mm , OD69mm , suitable for rotating application which requires a through hole $\leq 20\text{mm}$ (remark: if need a hole $< 20\text{mm}$, can add a inner bushing)

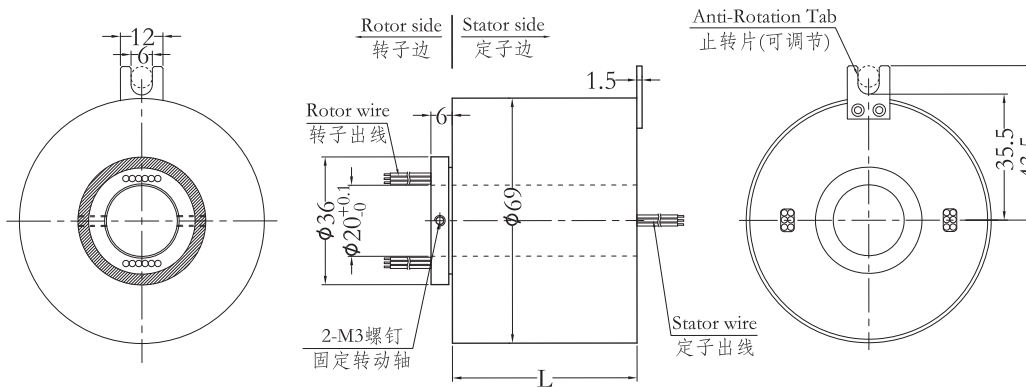
Part No. description

H2069 - Signal circuits no. - Eproduct grade

H:through hole slip ring
2069:ID 20mm, OD 69mm

Example:
06S:6circuits signal (0~2A)
12S:12circuits signal (0~2A)

Example:
C: standard level
D:Industrial level
H:High quality level



Standard Model List

| H2069 series model list | | | | | | | |
|-------------------------|----------|----------------|-----------------|----------------|----------|----------------|-----------------|
| Part no. | Circuits | | Length L(mm) | Part no. | Circuits | | Length L(mm) |
| | 10A | Signal or 0~5A | | | 10A | Signal or 0~5A | |
| H2069-02S | 0 | 2 | 23 | H2069-1010-08S | 10 | 8 | 68.5 |
| H2069-0210 | 2 | 0 | 23 | H2069-1210-06S | 12 | 6 | 68.5 |
| H2069-03S | 0 | 3 | 26 | H2069-1410-04S | 14 | 4 | 68.5 |
| H2069-0310 | 3 | 0 | 26 | H2069-1610-02S | 16 | 2 | 68.5 |
| H2069-06S | 0 | 6 | 34 | H2069-24S | 0 | 24 | 85.5 |
| H2069-0210-04S | 2 | 4 | 34 | H2069-0410-20S | 4 | 20 | 85.5 |
| H2069-0410-02S | 4 | 2 | 34 | H2069-0610-18S | 6 | 18 | 85.5 |
| H2069-0610 | 6 | 0 | 34 | H2069-1210-12S | 12 | 12 | 85.5 |
| H2069-12S | 0 | 12 | 52 | H2069-1810-06S | 18 | 6 | 85.5 |
| H2069-0210-10S | 2 | 10 | 52 | H2069-2410 | 24 | 0 | 85.5 |
| H2069-0310-09S | 3 | 9 | 52 | H2069-30S | 0 | 30 | 101 |
| H2069-0610-06S | 6 | 6 | 52 | H2069-0210-28S | 2 | 28 | 101 |
| H2069-0810-04S | 8 | 4 | 52 | H2069-0410-26S | 4 | 26 | 101 |
| H2069-1010-02S | 10 | 2 | 52 | H2069-0610-24S | 6 | 24 | 101 |
| H2069-1210 | 12 | 0 | 52 | H2069-36S | 0 | 36 | 119 |
| H2069-18S | 0 | 18 | 68.5 | H2069-0410-32S | 4 | 32 | 119 |
| H2069-0210-16S | 2 | 16 | 68.5 | H2069-0610-30S | 6 | 30 | 119 |
| H2069-0410-14S | 4 | 14 | 68.5 | H2069-42S | 0 | 42 | 137 |
| H2069-0610-12S | 6 | 12 | 68.5 | H2069-0410-38S | 4 | 38 | 137 |
| H2069-0810-10S | 8 | 10 | 68.5 | H2069-48S | 0 | 48 | 153 |

*Remark:Circuits can be combined in parallel for bigger current,N circuits of 10A to get N*10A, such as 2 circuits of 10A in parallel for 20A use.10A circuits No. and signal circuits (5A) No. can be customized based on standard products,pls inquiry Senring for details.

Technical Specification

| Mechanical | | Electrical | | |
|------------------|----------------------------------|-----------------------|-----------------------------------|--------------------------------|
| Spec | Data | Spec | Data | |
| Working life | pls refer to product grade table | | Power | Signal |
| Rotating speed | pls refer to product grade table | Rated voltage | 0~440VAC/VDC | 0~440VAC/VDC |
| Working temp. | -30°C~80°C | Insulation resistance | ≥1000mΩ/500VDC | ≥1000mΩ/500VDC |
| Work humidity | 0~85% RH | Lead wire spec | AWG17# Silver-plated teflon | AWG22# Silver-plated teflon |
| Contact material | pls refer to produce grade table | Lead wire length | standard 300mm(can be customized) | |
| Housing material | AL alloy | Dielectric Strength | 800VAC@50Hz,60s | |
| Torque | 0.05N.m (+0.02N.m/6circuits) | Electrical noise | <0.01Ω | |
| IP grade | IP51 | | | |

Product Grade Table

| Grade code | Max rotating speed | Working life | Contact material |
|----------------|--------------------|--------------------------|------------------|
| C:standard | 400RPM | 20millisons revolutions | precious metal |
| D:industrial | 800RPM | 60millisons revolutions | precious metal |
| H:high quality | 1200RPM | 150millisons revolutions | gold alloy |

Color code of Lead Wire

| | | | | | | | | | | | | |
|-------|---------|---------|---------|---------|---------|---------|---------|---------|---------|---------|---------|-------------|
| ring# | 1 | 2 | 3 | 4 | 5 | 6 | 7 | 8 | 9 | 10 | 11 | 12 |
| color | BLK | BRN | RED | ORG | YEL | GRN | BLU | PUR | GRY | WHT | PINK | LGT BLU |
| ring# | 13 | 14 | 15 | 16 | 17 | 18 | 19 | 20 | 21 | 22 | 23 | 24 |
| color | WHT/BLK | WHT/BRN | WHT/RED | WHT/ORG | WHT/YEL | WHT/GRN | WHT/BLU | WHT/PUR | WHT/GRY | BLK/RED | BLK/BRN | Transparent |

Remark:"1" : the first wire from rotor side , H2069-06S wire color sequence: BLK/BRN/RED/ORG/WHT/GRN , 24 color wires as one group , if more than 24wires, repeat as sequence , use number tube to tell group 1#, 2#....

H2578 Series



H2578 series standard precise slip ring, integrated structure design, with through hole 25.4mm , OD78mm , suitable for rotating application which requires a through hole $\leq 25.4\text{mm}$ (remark: if need a hole $< 25.4\text{mm}$, can add a inner bushing)

Part No. description

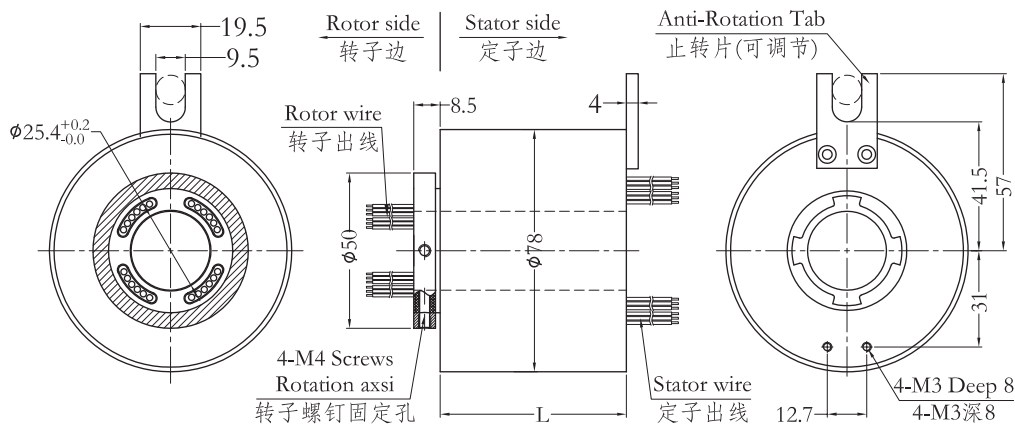
H2578 - Power circuits no. - Signal circuits no. - Erodect grade

H:through hole slip ring
2578:ID 25.4mm, OD 78mm

Example:
0610:6 circuits,10A per circuit
1220:2circuits,10A per circuit

Example:
C: standard level
D:Industrial level
H:High quality level

Example:
06S:6circuits signal (0~2A)
12S:12circuits signal (0~2A)



Standard Model List

| H2578 series model list | | | | | | | |
|-------------------------|----------|----------------|-----------------|----------------|----------|----------------|-----------------|
| Part no. | Circuits | | Length L(mm) | Part no. | Circuits | | Length L(mm) |
| | 10A | Signal or 0~5A | | | 10A | Signal or 0~5A | |
| H2578-02S | 0 | 2 | 32 | H2578-1210-12S | 12 | 12 | 120 |
| H2578-0210 | 2 | 0 | 32 | H2578-1810-06S | 18 | 6 | 120 |
| H2578-03S | 0 | 3 | 36 | H2578-2410 | 24 | 0 | 120 |
| H2578-0310 | 3 | 0 | 36 | H2578-30S | 0 | 30 | 144 |
| H2578-06S | 0 | 6 | 48 | H2578-0610-24S | 6 | 24 | 144 |
| H2578-0210-04S | 2 | 4 | 48 | H2578-1210-18S | 12 | 18 | 144 |
| H2578-0410-02S | 4 | 2 | 48 | H2578-1810-12S | 18 | 12 | 144 |
| H2578-0610 | 6 | 0 | 48 | H2578-2410-06S | 24 | 6 | 144 |
| H2578-12S | 0 | 12 | 72 | H2578-3010 | 30 | 0 | 144 |
| H2578-0210-10S | 2 | 10 | 72 | H2578-36S | 0 | 36 | 168 |
| H2578-0310-09S | 3 | 9 | 72 | H2578-0610-30S | 6 | 30 | 168 |
| H2578-0610-06S | 6 | 6 | 72 | H2578-1210-24S | 12 | 24 | 168 |
| H2578-0810-04S | 8 | 4 | 72 | H2578-3610 | 36 | 0 | 168 |
| H2578-1010-02S | 10 | 2 | 72 | H2578-42S | 0 | 42 | 192 |
| H2578-1210 | 12 | 0 | 72 | H2578-0610-36S | 6 | 36 | 192 |
| H2578-18S | 0 | 18 | 96 | H2578-1210-30S | 12 | 30 | 192 |
| H2578-0210-16S | 2 | 16 | 96 | H2578-48S | 0 | 48 | 216 |
| H2578-0410-14S | 4 | 14 | 96 | H2578-0610-42S | 6 | 42 | 216 |
| H2578-0610-12S | 6 | 12 | 96 | H2578-1010-38S | 10 | 38 | 216 |
| H2578-0810-10S | 8 | 10 | 96 | H2578-1210-36S | 12 | 36 | 216 |
| H2578-1010-08S | 10 | 8 | 96 | H2578-1810-30S | 18 | 30 | 216 |
| H2578-1210-06S | 12 | 6 | 96 | H2578-2410-24S | 24 | 24 | 216 |
| H2578-1410-04S | 14 | 4 | 96 | H2578-60S | 0 | 60 | 264 |
| H2578-1610-02S | 16 | 2 | 96 | H2578-0610-54S | 6 | 54 | 264 |
| H2578-24S | 0 | 24 | 120 | H2578-1010-50S | 10 | 50 | 264 |
| H2578-0410-20S | 4 | 20 | 120 | H2578-1210-48S | 12 | 48 | 264 |
| H2578-0610-18S | 6 | 18 | 120 | H2578-72S | 0 | 72 | 312 |

*Remark:Circuits can be combined in parallel for bigger current, N circuits of 10A to get N*10A,such as 2 circuits of 10A in parallel for 20A use.10A circuits No. and signal circuits (5A) No. can be customized based on standard products, pls inquiry Senring for details.

Technical Specification

| Mechanical | | Electrical | | |
|------------------|----------------------------------|-----------------------|-----------------------------------|--------------------------------|
| Spec | Data | Spec | Data | |
| Working life | pls refer to product grade table | | Power | Signal |
| Rotating speed | pls refer to product grade table | Rated voltage | 0~690VAC/VDC | 0~440VAC/VDC |
| Working temp. | -30°C~80°C | Insulation resistance | ≥1000mΩ/500VDC | ≥1000mΩ/500VDC |
| Work humidity | 0~85% RH | Lead wire spec | AWG17# Silver-plated teflon | AWG22# Silver-plated teflon |
| Contact material | pls refer to produce grade table | Lead wire length | standard 300mm(can be customized) | |
| Housing material | AL alloy | Dielectric Strength | 800VAC@50Hz,60s | |
| Torque | 0.1N.m (+0.03N.m/6circuits) | Electrical noise | <0.01Ω | |
| IP grade | IP51 | | | |

Product Grade Table

| Grade code | Max rotating speed | Working life | Contact material |
|----------------|--------------------|--------------------------|------------------|
| C:standard | 400RPM | 20millisons revolutions | precious metal |
| D:industrial | 800RPM | 60millisons revolutions | precious metal |
| H:high quality | 1200RPM | 150millisons revolutions | gold alloy |

Color code of Lead Wire

| | | | | | | | | | | | | |
|-------|---------|---------|---------|---------|---------|---------|---------|---------|---------|---------|---------|-------------|
| ring# | 1 | 2 | 3 | 4 | 5 | 6 | 7 | 8 | 9 | 10 | 11 | 12 |
| color | BLK | BRN | RED | ORG | YEL | GRN | BLU | PUR | GRY | WHT | PINK | LGT BLU |
| ring# | 13 | 14 | 15 | 16 | 17 | 18 | 19 | 20 | 21 | 22 | 23 | 24 |
| color | WHT/BLK | WHT/BRN | WHT/RED | WHT/ORG | WHT/YEL | WHT/GRN | WHT/BLU | WHT/PUR | WHT/GRY | BLK/RED | BLK/BRN | Transparent |

Remark:"1" : the first wire from rotor side , H2578-06S wire color sequence: BLK/BRN/RED/ORG/WHT/GRN , 24 color wires as one group , if more than 24wires, repeat as sequence , use number tube to tell group 1#, 2#....

H2586 Series



H2586 series standard precise slip ring, integrated structure design, with through hole 25.4mm , OD86mm , suitable for rotating application which requires a through hole $\leq 25.4\text{mm}$ (remark: if need a hole $< 25.4\text{mm}$, can add a inner bushing)

Part No. description

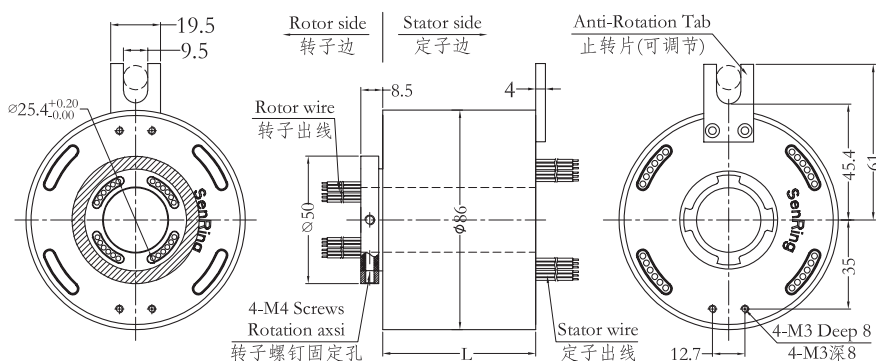
H2586 - Power circuits no. - Signal circuits no. - Eproduct grade

H:through hole slip ring
2586:ID 25.4mm, OD 86mm

Example:
0610:6 circuits,10A per circuit
1220:2circuits,10A per circuit

Example:
C: standard level
D:Industrial level
H:High quality level

Example:
06S:6circuits signal (0~2A)
12S:12circuits signal (0~2A)



Standard Model List

| H2586 series model list | | | | | | | |
|-------------------------|----------|----------------|-----------------|----------------|----------|----------------|-----------------|
| Part no. | Circuits | | Length L(mm) | Part no. | Circuits | | Length L(mm) |
| | 10A | Signal or 0~5A | | | 10A | Signal or 0~5A | |
| H2586-02S | 0 | 2 | 32 | H2586-1210-12S | 12 | 12 | 120 |
| H2586-0210 | 2 | 0 | 32 | H2586-1810-06S | 18 | 6 | 120 |
| H2586-03S | 0 | 3 | 36 | H2586-2410 | 24 | 0 | 120 |
| H2586-0310 | 3 | 0 | 36 | H2586-30S | 0 | 30 | 144 |
| H2586-06S | 0 | 6 | 48 | H2586-0610-24S | 6 | 24 | 144 |
| H2586-0210-04S | 2 | 4 | 48 | H2586-1210-18S | 12 | 18 | 144 |
| H2586-0410-02S | 4 | 2 | 48 | H2586-1810-12S | 18 | 12 | 144 |
| H2586-0610 | 6 | 0 | 48 | H2586-2410-06S | 24 | 6 | 144 |
| H2586-12S | 0 | 12 | 72 | H2586-3010 | 30 | 0 | 144 |
| H2586-0210-10S | 2 | 10 | 72 | H2586-36S | 0 | 36 | 168 |
| H2586-0310-09S | 3 | 9 | 72 | H2586-0610-30S | 6 | 30 | 168 |
| H2586-0610-06S | 6 | 6 | 72 | H2586-1210-24S | 12 | 24 | 168 |
| H2586-0810-04S | 8 | 4 | 72 | H2586-3610 | 36 | 0 | 168 |
| H2586-1010-02S | 10 | 2 | 72 | H2586-42S | 0 | 42 | 192 |
| H2586-1210 | 12 | 0 | 72 | H2586-0610-36S | 6 | 36 | 192 |
| H2586-18S | 0 | 18 | 96 | H2586-1210-30S | 12 | 30 | 192 |
| H2586-0210-16S | 2 | 16 | 96 | H2586-48S | 0 | 48 | 216 |
| H2586-0410-14S | 4 | 14 | 96 | H2586-0610-42S | 6 | 42 | 216 |
| H2586-0610-12S | 6 | 12 | 96 | H2586-1010-38S | 10 | 38 | 216 |
| H2586-0810-10S | 8 | 10 | 96 | H2586-1210-36S | 12 | 36 | 216 |
| H2586-1010-08S | 10 | 8 | 96 | H2586-1810-30S | 18 | 30 | 216 |
| H2586-1210-06S | 12 | 6 | 96 | H2586-2410-24S | 24 | 24 | 216 |
| H2586-1410-04S | 14 | 4 | 96 | H2586-60S | 0 | 60 | 264 |
| H2586-1610-02S | 16 | 2 | 96 | H2586-0610-54S | 6 | 54 | 264 |
| H2586-24S | 0 | 24 | 120 | H2586-1010-50S | 10 | 50 | 264 |
| H2586-0410-20S | 4 | 20 | 120 | H2586-1210-48S | 12 | 48 | 264 |
| H2586-0610-18S | 6 | 18 | 120 | H2586-72S | 0 | 72 | 312 |

*Remark:Circuits can be combined in parallel for bigger current, N circuits of 10A to get N*10A,such as 2 circuits of 10A in parallel for 20A use.10A circuits No. and signal circuits (5A) No. can be customized based on standard products,pls inquiry Senring for details.

Technical Specification

| Mechanical | | Electrical | | |
|------------------|----------------------------------|-----------------------|-----------------------------------|--------------------------------|
| Spec | Data | Spec | Data | |
| Working life | pls refer to product grade table | | Power | Signal |
| Rotating speed | pls refer to product grade table | Rated voltage | 0~690VAC/VDC | 0~440VAC/VDC |
| Working temp. | -30°C~80°C | Insulation resistance | ≥1000mΩ/500VDC | ≥1000mΩ/500VDC |
| Work humidity | 0~85% RH | Lead wire spec | AWG17# Silver-plated teflon | AWG22# Silver-plated teflon |
| Contact material | pls refer to produce grade table | Lead wire length | standard 300mm(can be customized) | |
| Housing material | AL alloy | Dielectric Strength | 800VAC@50Hz,60s | |
| Torque | 0.1N.m (+0.03N.m/6circuits) | Electrical noise | <0.01Ω | |
| IP grade | IP51 | | | |

Product Grade Table

| Grade code | Max rotating speed | Working life | Contact material |
|----------------|--------------------|--------------------------|------------------|
| C:standard | 400RPM | 20millisons revolutions | precious metal |
| D:industrial | 800RPM | 60millisons revolutions | precious metal |
| H:high quality | 1200RPM | 150millisons revolutions | gold alloy |

Color code of Lead Wire

| | | | | | | | | | | | | |
|-------|---------|---------|---------|---------|---------|---------|---------|---------|---------|---------|---------|-------------|
| ring# | 1 | 2 | 3 | 4 | 5 | 6 | 7 | 8 | 9 | 10 | 11 | 12 |
| color | BLK | BRN | RED | ORG | YEL | GRN | BLU | PUR | GRY | WHT | PINK | LGT BLU |
| ring# | 13 | 14 | 15 | 16 | 17 | 18 | 19 | 20 | 21 | 22 | 23 | 24 |
| color | WHT/BLK | WHT/BRN | WHT/RED | WHT/ORG | WHT/YEL | WHT/GRN | WHT/BLU | WHT/PUR | WHT/GRY | BLK/RED | BLK/BRN | Transparent |

Remark:"1" : the first wire from rotor side , H2586-06S wire color sequence: BLK/BRN/RED/ORG/WHT/GRN , 24 color wires as one group , if more than 24wires, repeat as sequence , use number tube to tell group 1#, 2#....

H2586F Series



H2586 series standard precise slip ring with flange, integrated structure design, with through hole 25.4mm , OD86mm , suitable for rotating application which requires a through hole $\leq 25.4\text{mm}$ (remark: if need a hole $< 25.4\text{mm}$, can add a inner bushing)

Part No. description

H2586 - **F** - Power circuits no. - Signal circuits no. - Eproduct grade

H:through hole slip ring
2586:ID 25mm, OD 86mm

F:with rotor flange(optional)

Example:

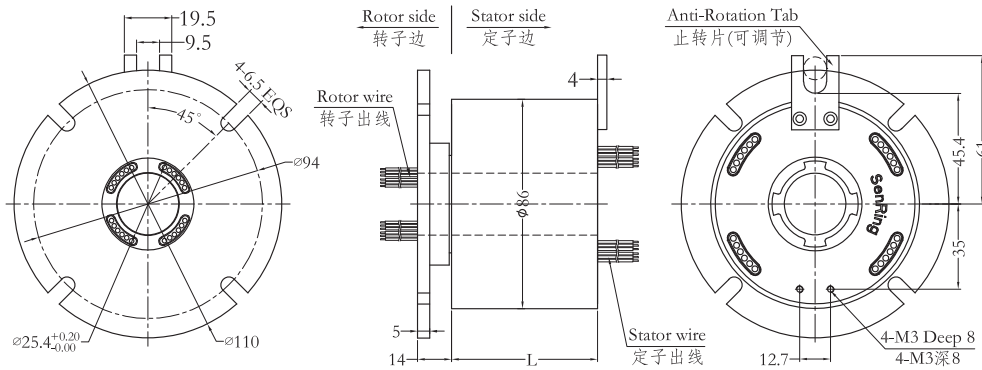
0610:6 circuits,10A per circuit
1220:2circuits,10A per circuit

Example:

C: standard level
D:Industrial level
H:High quality level

Example:

06S:6circuits signal (0~2A)
12S:12circuits signal (0~2A)



Standard Model List

| H2586F series model list | | | | | | | |
|--------------------------|----------|----------------|--------------|-----------------|----------|----------------|--------------|
| Part no. | Circuits | | Length L(mm) | Part no. | Circuits | | Length L(mm) |
| | 10A | Signal or 0~5A | | | 10A | Signal or 0~5A | |
| H2586F-02S | 0 | 2 | 32 | H2586F-1210-12S | 12 | 12 | 120 |
| H2586F-0210 | 2 | 0 | 32 | H2586F-1810-06S | 18 | 6 | 120 |
| H2586F-03S | 0 | 3 | 36 | H2586F-2410 | 24 | 0 | 120 |
| H2586F-0310 | 3 | 0 | 36 | H2586F-30S | 0 | 30 | 144 |
| H2586F-06S | 0 | 6 | 48 | H2586F-0610-24S | 6 | 24 | 144 |
| H2586F-0210-04S | 2 | 4 | 48 | H2586F-1210-18S | 12 | 18 | 144 |
| H2586F-0410-02S | 4 | 2 | 48 | H2586F-1810-12S | 18 | 12 | 144 |
| H2586F-0610 | 6 | 0 | 48 | H2586F-2410-06S | 24 | 6 | 144 |
| H2586F-12S | 0 | 12 | 72 | H2586F-3010 | 30 | 0 | 144 |
| H2586F-0210-10S | 2 | 10 | 72 | H2586F-36S | 0 | 36 | 168 |
| H2586F-0310-09S | 3 | 9 | 72 | H2586F-0610-30S | 6 | 30 | 168 |
| H2586F-0610-06S | 6 | 6 | 72 | H2586F-1210-24S | 12 | 24 | 168 |
| H2586F-0810-04S | 8 | 4 | 72 | H2586F-3610 | 36 | 0 | 168 |
| H2586F-1010-02S | 10 | 2 | 72 | H2586F-42S | 0 | 42 | 192 |
| H2586F-1210 | 12 | 0 | 72 | H2586F-0610-36S | 6 | 36 | 192 |
| H2586F-18S | 0 | 18 | 96 | H2586F-1210-30S | 12 | 30 | 192 |
| H2586F-0210-16S | 2 | 16 | 96 | H2586F-48S | 0 | 48 | 216 |
| H2586F-0410-14S | 4 | 14 | 96 | H2586F-0610-42S | 6 | 42 | 216 |
| H2586F-0610-12S | 6 | 12 | 96 | H2586F-1010-38S | 10 | 38 | 216 |
| H2586F-0810-10S | 8 | 10 | 96 | H2586F-1210-36S | 12 | 36 | 216 |
| H2586F-1010-08S | 10 | 8 | 96 | H2586F-1810-30S | 18 | 30 | 216 |
| H2586F-1210-06S | 12 | 6 | 96 | H2586F-2410-24S | 24 | 24 | 216 |
| H2586F-1410-04S | 14 | 4 | 96 | H2586F-60S | 0 | 60 | 264 |
| H2586F-1610-02S | 16 | 2 | 96 | H2586F-0610-54S | 6 | 54 | 264 |
| H2586F-24S | 0 | 24 | 120 | H2586F-1010-50S | 10 | 50 | 264 |
| H2586F-0410-20S | 4 | 20 | 120 | H2586F-1210-48S | 12 | 48 | 264 |
| H2586F-0610-18S | 6 | 18 | 120 | H2586F-72S | 0 | 72 | 312 |

*Remark:Circuits can be combined in parallel for bigger current, N circuits of 10A to get N*10A,such as 2 circuits of 10A in parallel for 20A use.10A circuits No. and signal circuits (5A) No. can be customized based on standard products,pls inquiry Senring for details.

Technical Specification

| Mechanical | | Electrical | | |
|------------------|----------------------------------|-----------------------|-----------------------------------|--------------------------------|
| Spec | Data | Spec | Data | |
| Working life | pls refer to product grade table | | Power | Signal |
| Rotating speed | pls refer to product grade table | Rated voltage | 0~690VAC/VDC | 0~440VAC/VDC |
| Working temp. | -30°C~80°C | Insulation resistance | ≥ 1000mΩ/500VDC | ≥ 1000mΩ/500VDC |
| Work humidity | 0~85% RH | Lead wire spec | AWG17# Silver-plated teflon | AWG22# Silver-plated teflon |
| Contact material | pls refer to produce grade table | Lead wire length | standard 300mm(can be customized) | |
| Housing material | AL alloy | Dielectric Strength | 800VAC@50Hz,60s | |
| Torque | 0.1N.m (+0.03N.m/6circuits) | Electrical noise | <0.01Ω | |
| IP grade | IP51 | | | |

Product Grade Table

| Grade code | Max rotating speed | Working life | Contact material |
|----------------|--------------------|--------------------------|------------------|
| C:standard | 400RPM | 20millisons revolutions | precious metal |
| D:industrial | 800RPM | 60millisons revolutions | precious metal |
| H:high quality | 1200RPM | 150millisons revolutions | gold alloy |

Color code of Lead Wire

| | | | | | | | | | | | | |
|-------|---------|---------|---------|---------|---------|---------|---------|---------|---------|---------|---------|-------------|
| ring# | 1 | 2 | 3 | 4 | 5 | 6 | 7 | 8 | 9 | 10 | 11 | 12 |
| color | BLK | BRN | RED | ORG | YEL | GRN | BLU | PUR | GRY | WHT | PINK | LGT BLU |
| ring# | 13 | 14 | 15 | 16 | 17 | 18 | 19 | 20 | 21 | 22 | 23 | 24 |
| color | WHT/BLK | WHT/BRN | WHT/RED | WHT/ORG | WHT/YEL | WHT/GRN | WHT/BLU | WHT/PUR | WHT/GRY | BLK/RED | BLK/BRN | Transparent |

Remark:"1" : the first wire from rotor side , H2586F-06S wire color sequence: BLK/BRN/RED/ORG/WHT/GRN , 24 color wires as one group , if more than 24wires, repeat as sequence , use number tube to tell group 1#, 2#....

H25119 Series



H25119 series standard precise slip ring, integrated structure design, with through hole 25.4mm , OD119mm , suitable for rotating application which requires a through hole $\leq 25.4\text{mm}$ (remark: if need a hole $< 25.4\text{mm}$, can add a inner bushing)

Part No. description

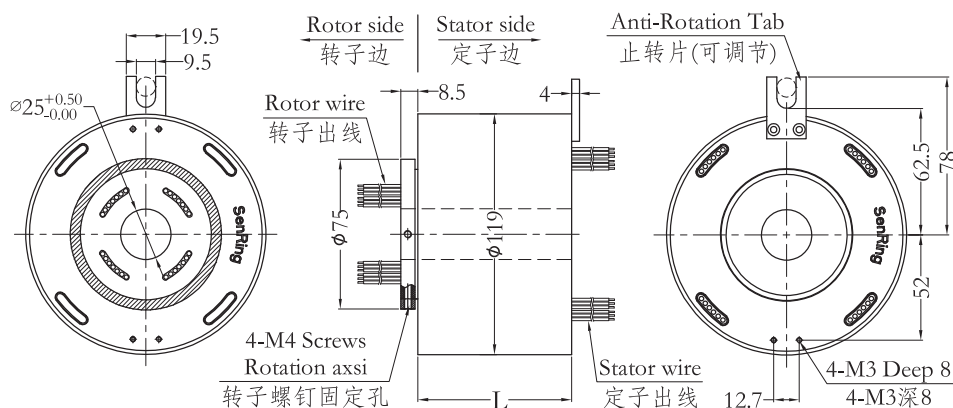
H25119 - Power circuits no. - Signal circuits no. - Erodect grade

H:through hole slip ring
25119:ID 25.4mm, OD 119mm

Example:
0610:6 circuits,10A per circuit
1220:2circuits,10A per circuit

Example:
C : standard level
D:Industrial level
H:High quality level

Example:
06S:6circuits signal (0~2A)
12S:12circuits signal (0~2A)



Standard Model List

| H25119 series model list | | | | | | | |
|--------------------------|----------|----------------|--------------|-----------------|----------|----------------|--------------|
| Part no. | Circuits | | Length L(mm) | Part no. | Circuits | | Length L(mm) |
| | 10A | Signal or 0~5A | | | 10A | Signal or 0~5A | |
| H25119-02S | 0 | 2 | 36 | H25119-48S | 0 | 48 | 220 |
| H25119-0210 | 2 | 0 | 36 | H25119-0610-42S | 6 | 42 | 220 |
| H25119-03S | 0 | 3 | 40 | H25119-1210-36S | 12 | 36 | 220 |
| H25119-0310 | 3 | 0 | 40 | H25119-1810-30S | 18 | 30 | 220 |
| H25119-06S | 0 | 6 | 52 | H25119-2410-24S | 24 | 24 | 220 |
| H25119-0210-04S | 2 | 4 | 52 | H25119-4810 | 48 | 0 | 220 |
| H25119-0410-02S | 4 | 2 | 52 | H25119-60S | 0 | 60 | 268 |
| H25119-0610 | 6 | 0 | 52 | H25119-0610-54S | 6 | 54 | 268 |
| H25119-12S | 0 | 12 | 76 | H25119-0910-51S | 9 | 51 | 268 |
| H25119-0210-10S | 2 | 10 | 76 | H25119-1210-48S | 12 | 48 | 268 |
| H25119-0310-09S | 3 | 9 | 76 | H25119-2410-36S | 24 | 36 | 268 |
| H25119-0610-06S | 6 | 6 | 76 | H25119-72S | 0 | 72 | 316 |
| H25119-0810-04S | 8 | 4 | 76 | H25119-1210-60S | 12 | 60 | 316 |
| H25119-1010-02S | 10 | 2 | 76 | H25119-2410-48S | 24 | 48 | 316 |
| H25119-1210 | 12 | 0 | 76 | H25119-3610-36S | 36 | 36 | 316 |
| H25119-18S | 0 | 18 | 100 | H25119-84S | 0 | 84 | 364 |
| H25119-0210-16S | 2 | 16 | 100 | H25119-1210-72S | 12 | 72 | 364 |
| H25119-0410-14S | 4 | 14 | 100 | H25119-2410-60S | 24 | 60 | 364 |
| H25119-0610-12S | 6 | 12 | 100 | H25119-3610-48S | 36 | 48 | 364 |
| H25119-0810-10S | 8 | 10 | 100 | H25119-96S | 0 | 96 | 412 |
| H25119-1010-08S | 10 | 8 | 100 | H25119-1210-84S | 12 | 84 | 412 |
| H25119-1210-06S | 12 | 6 | 100 | H25119-2410-72S | 24 | 72 | 412 |
| H25119-1410-04S | 14 | 4 | 100 | H25119-3610-60S | 36 | 60 | 412 |
| H25119-1610-02S | 16 | 2 | 100 | H25119-4210-54S | 42 | 54 | 412 |
| H25119-24S | 0 | 24 | 124 | H25119-108S | 0 | 108 | 460 |
| H25119-0410-20S | 4 | 20 | 124 | H25119-1210-96S | 12 | 96 | 460 |
| H25119-0610-18S | 6 | 18 | 124 | H25119-2410-84S | 24 | 84 | 460 |

| Part no. | 10A | Signal or 0~5A | Length L(mm) | Part no. | 10A | Signal or 0~5A | Length L(mm) |
|-----------------|-----|----------------|--------------|------------------|-----|----------------|--------------|
| H25119-1210-12S | 12 | 12 | 124 | H25119-3610-72S | 36 | 72 | 460 |
| H25119-1810-06S | 18 | 6 | 124 | H25119-120S | 0 | 120 | 508 |
| H25119-2410 | 24 | 0 | 124 | H25119-1210-108S | 12 | 108 | 508 |
| H25119-30S | 0 | 30 | 148 | H25119-2410-96S | 24 | 96 | 508 |
| H25119-0610-24S | 6 | 24 | 148 | H25119-3610-84S | 36 | 84 | 508 |
| H25119-1210-18S | 12 | 18 | 148 | H25119-4810-72S | 48 | 72 | 508 |
| H25119-1810-12S | 18 | 12 | 148 | H25119-132S | 0 | 132 | 556 |
| H25119-2410-06S | 24 | 6 | 148 | H25119-1210-120S | 12 | 120 | 556 |
| H25119-3010 | 30 | 0 | 148 | H25119-2410-108S | 24 | 108 | 556 |
| H25119-36S | 0 | 36 | 172 | H25119-3610-96S | 36 | 96 | 556 |
| H25119-0610-30S | 6 | 30 | 172 | H25119-4810-84S | 48 | 84 | 556 |
| H25119-1210-524 | 12 | 24 | 172 | H25119-144S | 0 | 144 | 604 |
| H25119-3610 | 36 | 0 | 172 | H25119-1210-132S | 12 | 132 | 604 |
| H25119-42S | 0 | 42 | 196 | H25119-2410-120S | 24 | 120 | 604 |
| H25119-0610-36S | 6 | 36 | 196 | H25119-3610-108S | 36 | 108 | 604 |
| H25119-1210-30S | 12 | 30 | 196 | H25119-4810-96S | 48 | 96 | 604 |
| H25119-4210 | 42 | 0 | 196 | H25119-6010-84S | 60 | 84 | 604 |

*Remark:Circuits can be combined in parallel for bigger current, N circuits of 10A to get N*10A,such as 2 circuits of 10A in parallel for 20A use.10A circuits No. and signal circuits (5A) No. can be customized based on standard products, pls inquiry Senring for details.

Technical Specification

| Mechanical | | Electrical | | |
|------------------|----------------------------------|-----------------------|-----------------------------------|--------------------------------|
| Spec | Data | Spec | Data | |
| Working life | pls refer to product grade table | | Power | Signal |
| Rotating speed | pls refer to product grade table | Rated voltage | 0~690VAC/VDC | 0~440VAC/VDC |
| Working temp. | -30°C~80°C | Insulation resistance | ≥1000mΩ/500VDC | ≥1000mΩ/500VDC |
| Work humidity | 0~85% RH | Lead wire spec | AWG17# Silver-plated teflon | AWG22# Silver-plated teflon |
| Contact material | pls refer to produce grade table | Lead wire length | standard 300mm(can be customized) | |
| Housing material | AL alloy | Dielectric Strength | 800VAC@50Hz,60s | |
| Torque | 0.1N.m (+0.03N.m/6circuits) | Electrical noise | <0.01Ω | |
| IP grade | IP51 | | | |

Product Grade Table

| Grade code | Max rotating speed | Working life | Contact material |
|----------------|--------------------|--------------------------|------------------|
| C:standard | 400RPM | 20millisons revolutions | precious metal |
| D:industrial | 800RPM | 60millisons revolutions | precious metal |
| H:high quality | 1200RPM | 150millisons revolutions | gold alloy |

Color code of Lead Wire

| | | | | | | | | | | | | |
|-------|---------|---------|---------|---------|---------|---------|---------|---------|---------|---------|---------|-------------|
| ring# | 1 | 2 | 3 | 4 | 5 | 6 | 7 | 8 | 9 | 10 | 11 | 12 |
| color | BLK | BRN | RED | ORG | YEL | GRN | BLU | PUR | GRY | WHT | PINK | LGT BLU |
| ring# | 13 | 14 | 15 | 16 | 17 | 18 | 19 | 20 | 21 | 22 | 23 | 24 |
| color | WHT/BLK | WHT/BRN | WHT/RED | WHT/ORG | WHT/YEL | WHT/GRN | WHT/BLU | WHT/PUR | WHT/GRY | BLK/RED | BLK/BRN | Transparent |

Remark:"1" : the first wire from rotor side , H25119-06S wire color sequence: BLK/BRN/RED/ORG/WHT/GRN , 24 color wires as one group , if more than 24wires, repeat as sequence , use number tube to tell group 1#, 2#....

H3099 Series



H3099 series standard precise slip ring, integrated structure design, with through hole 30mm , OD99mm , suitable for rotating application which requires a through hole <=30mm (remark: if need a hole <30mm, can add a inner bushing)

Part No. description

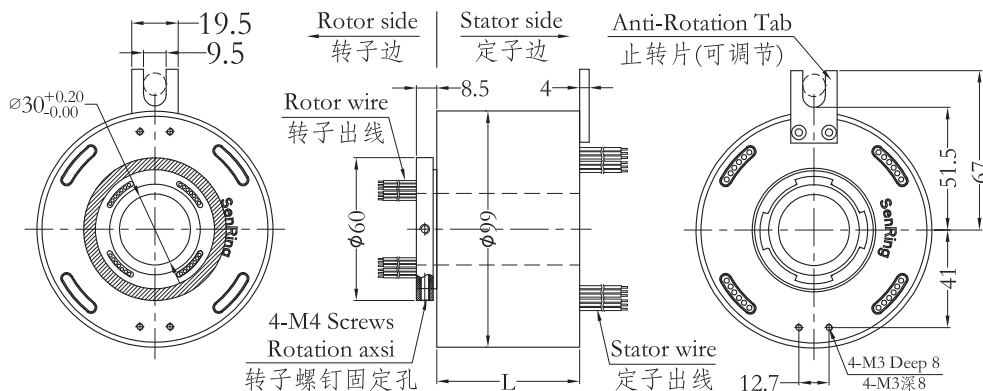
H3099 - Power circuits no. - Signal circuits no. - Eproduct grade

H:through hole slip ring
3099:ID 30mm, OD 99mm

Example:
0610:6 circuits,10A per circuit
1220:2circuits,10A per circuit

Example:
C: standard level
D:Industrial level
H:High quality level

Example:
06S:6circuits signal (0~2A)
12S:12circuits signal (0~2A)



Standard Model List

| H3099 series model list | | | | | | | |
|-------------------------|----------|----------------|--------------|----------------|----------|----------------|--------------|
| Part no. | Circuits | | Length L(mm) | Part no. | Circuits | | Length L(mm) |
| | 10A | Signal or 0~5A | | | 10A | Signal or 0~5A | |
| H3099-02S | 0 | 2 | 32 | H3099-1210-12S | 12 | 12 | 120 |
| H3099-0210 | 2 | 0 | 32 | H3099-1810-06S | 18 | 6 | 120 |
| H3099-03S | 0 | 3 | 36 | H3099-2410 | 24 | 0 | 120 |
| H3099-0310 | 3 | 0 | 36 | H3099-30S | 0 | 30 | 144 |
| H3099-06S | 0 | 6 | 48 | H3099-0610-24S | 6 | 24 | 144 |
| H3099-0210-04S | 2 | 4 | 48 | H3099-1210-18S | 12 | 18 | 144 |
| H3099-0410-02S | 4 | 2 | 48 | H3099-1810-12S | 18 | 12 | 144 |
| H3099-0610 | 6 | 0 | 48 | H3099-2410-06S | 24 | 6 | 144 |
| H3099-12S | 0 | 12 | 72 | H3099-3010 | 30 | 0 | 144 |
| H3099-0210-10S | 2 | 10 | 72 | H3099-36S | 0 | 36 | 168 |
| H3099-0310-09S | 3 | 9 | 72 | H3099-0610-30S | 6 | 30 | 168 |
| H3099-0610-06S | 6 | 6 | 72 | H3099-1210-24S | 12 | 24 | 168 |
| H3099-0810-04S | 8 | 4 | 72 | H3099-3610 | 36 | 0 | 168 |
| H3099-1010-02S | 10 | 2 | 72 | H3099-42S | 0 | 42 | 192 |
| H3099-1210 | 12 | 0 | 72 | H3099-0610-36S | 6 | 36 | 192 |
| H3099-18S | 0 | 18 | 96 | H3099-1210-30S | 12 | 30 | 192 |
| H3099-0210-16S | 2 | 16 | 96 | H3099-48S | 0 | 48 | 216 |
| H3099-0410-14S | 4 | 14 | 96 | H3099-0610-42S | 6 | 42 | 216 |
| H3099-0610-12S | 6 | 12 | 96 | H3099-1010-38S | 10 | 38 | 216 |
| H3099-0810-10S | 8 | 10 | 96 | H3099-1210-36S | 12 | 36 | 216 |
| H3099-1010-08S | 10 | 8 | 96 | H3099-1810-30S | 18 | 30 | 216 |
| H3099-1210-06S | 12 | 6 | 96 | H3099-2410-24S | 24 | 24 | 216 |
| H3099-1410-04S | 14 | 4 | 96 | H3099-60S | 0 | 60 | 264 |
| H3099-1610-02S | 16 | 2 | 96 | H3099-0610-54S | 6 | 54 | 264 |
| H3099-24S | 0 | 24 | 120 | H3099-1010-50S | 10 | 50 | 264 |
| H3099-0410-20S | 4 | 20 | 120 | H3099-1210-48S | 12 | 48 | 264 |
| H3099-0610-18S | 6 | 18 | 120 | H3099-72S | 0 | 72 | 312 |

*Remark:Circuits can be combined in parallel for bigger current, N circuits of 10A to get N*10A,such as 2 circuits of 10A in parallel for 20A use. 0A circuits No. and signal circuits (5A) No. can be customized based on standard products,pls inquiry Senring for details.

Technical Specification

| Mechanical | | Electrical | | |
|------------------|----------------------------------|-----------------------|-----------------------------------|--------------------------------|
| Spec | Data | Spec | Data | |
| Working life | pls refer to product grade table | | Power | Signal |
| Rotating speed | pls refer to product grade table | Rated voltage | 0~690VAC/VDC | 0~440VAC/VDC |
| Working temp. | -30°C~80°C | Insulation resistance | ≥1000mΩ/500VDC | ≥1000mΩ/500VDC |
| Work humidity | 0~85% RH | Lead wire spec | AWG17# Silver-plated teflon | AWG22# Silver-plated teflon |
| Contact material | pls refer to produce grade table | Lead wire length | standard 300mm(can be customized) | |
| Housing material | AL alloy | Dielectric Strength | 800VAC@50Hz,60s | |
| Torque | 0.1N.m (+0.03N.m/6circuits) | Electrical noise | <0.01Ω | |
| IP grade | IP51 | | | |

Product Grade Table

| Grade code | Max rotating speed | Working life | Contact material |
|----------------|--------------------|--------------------------|------------------|
| C:standard | 400RPM | 20millisons revolutions | precious metal |
| D:industrial | 800RPM | 60millisons revolutions | precious metal |
| H:high quality | 1200RPM | 150millisons revolutions | gold alloy |

Color code of Lead Wire

| | | | | | | | | | | | | |
|-------|---------|---------|---------|---------|---------|---------|---------|---------|---------|---------|---------|-------------|
| ring# | 1 | 2 | 3 | 4 | 5 | 6 | 7 | 8 | 9 | 10 | 11 | 12 |
| color | BLK | BRN | RED | ORG | YEL | GRN | BLU | PUR | GRY | WHT | PINK | LGT BLU |
| ring# | 13 | 14 | 15 | 16 | 17 | 18 | 19 | 20 | 21 | 22 | 23 | 24 |
| color | WHT/BLK | WHT/BRN | WHT/RED | WHT/ORG | WHT/YEL | WHT/GRN | WHT/BLU | WHT/PUR | WHT/GRY | BLK/RED | BLK/BRN | Transparent |

Remark:"1" : the first wire from rotor side , H3099-06S wire color sequence: BLK/BRN/RED/ORG/WHT/GRN , 24 color wires as one group , if more than 24wires, repeat as sequence , use number tube to tell group 1#, 2#....