

# AC Fans & Blowers

# AC Fans & Blowers

## PART NUMBER CODE

A	120	38	V1	H	B	T	A	M	-S	-FG
Fan Type	Fan Size		Voltage	Speed	Bearing	Termination	Motor Type	Additional Information	Mold	Function
A : AC Axial Fan AB : AC Blower	Frame Size	Thickness	V1 (AC 110-120V) V2 (AC 220-240V) V12 AC 12V V24 AC 24V DV (Dual Voltage)	S: Super High H: High M: Medium L: Low XL: Extra Low	B: Ball S: Sleeve	T: Terminals L: Lead Wires	A: Shaded pole motor	M: Metal Impeller F: Frameless	Different Suffix for different mold	FG: FG Signal RD: RD Signal

### AC Axial Fan

		208 mm	.....	P. 62	
60 mm	.....	P. 11		210 mm	..... P. 63
80 mm	.....	P. 12		∅220 mm	..... P. 64
92 mm	.....	P. 17		225 mm	..... P. 66
120 mm	.....	P. 23		250 mm	..... P. 69
127 mm	.....	P. 30		280 mm	..... P. 71
150 mm	.....	P. 32			
160 mm	.....	P. 40			
∅172 mm	.....	P. 42			
172 mm	.....	P. 47			
176 mm	.....	P. 59			
180 mm	.....	P. 60			

### AC Blower

		121 mm	.....	P. 74
		189 mm	.....	P. 75
		220 mm	.....	P. 76

## Outer Rotor Motor Type

AF	200	62	V2	H	2P	S	-B
Fan Type	Fan Size		Voltage	Speed	Poles	Phase	Mold
AF : Axial Fan (Round type) AFD : Axial Fan (Square type)	Diameter of Impeller	Thickness	V1 (AC 110-120V) V2 (AC 220-240V) V3 (AC 380V)	H: High M: Medium L: Low	2P: 2 Poles 3P: 4 Poles 6P: 6 Poles	S: Single Phase T: Three Phase	Different Suffix for different mold

### Square Type

220 mm ..... P. 76

### Round Type

∅250 mm ..... P. 78  
 ∅300 mm ..... P. 79  
 ∅350 mm ..... P. 80  
 ∅400 mm ..... P. 81  
 ∅450 mm ..... P. 82

\*For more models, please kindly visit our website.

# A

# 6030

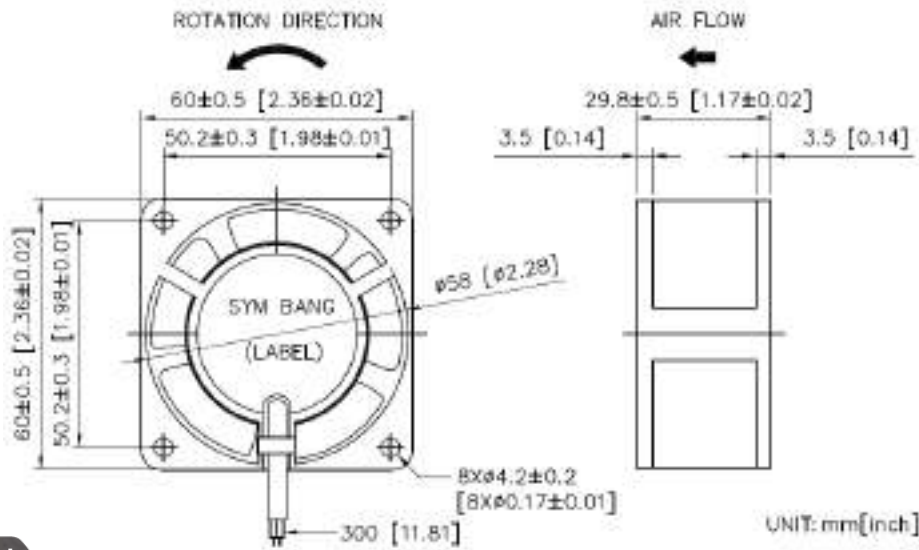
## 60X60X30mm (2.36"X2.36"x1.18")



HOUSING Aluminum Die Casting, Painted Black  
 IMPELLER Thermoplastic PBT, UL94V-0  
 BEARING Ball  
 OPERATING TEMPERATURE -10°C to + 70°C  
 INSULATION Class A  
 OPERATING VOLTAGE RANGE 103 VAC to 126 VAC for 115V Type  
 207 VAS to 253 VAC for 230V Type  
 DIELECTRIC STRENGTH 5mA Max. at 1500 VAC for 1 second  
 INSULATION RESISTANCE 10M Ω min. @500 VDC  
 MOTOR TYPE Shaded Pole Motor  
 SAFETY Impedance Protected  
 TERMINATION Lead wire  
 WEIGHT 140g  
 ROHS COMPLIANCE Yes  
 IP LEVEL IP44 (Special IP Rating On Request)

# 60 mm

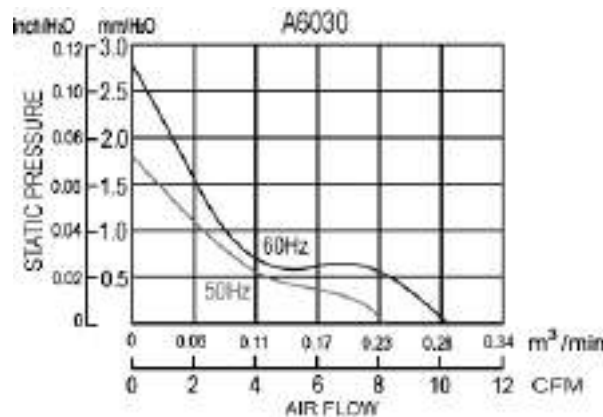
### DIMENSION



### SPECIFICATION

MODEL NO.	RATED VOLTAGE (V)	FREQUENCY (Hz)	RATED CURRENT (A)	INPUT POWER (W)	SPEED (RPM)	MAX. AIR PRESSURE		MAX. AIR FLOW		NOISE dB(A) @1M
						inch/H <sub>2</sub> O	mm/H <sub>2</sub> O	CFM	m <sup>3</sup> /min	
A6030V1HBL	115	50/60	0.063/0.051	5.2/4.0	2400/3000	0.07/0.11	1.78/2.79	8.1/10.24	0.23/0.29	27/28
A6030V2HBL	230	50/60	0.040/0.032	6.0/4.5	2400/3000	0.07/0.11	1.78/2.79	8.1/10.24	0.23/0.29	27/28

### AIR PERFORMANCE



# A

# 8025

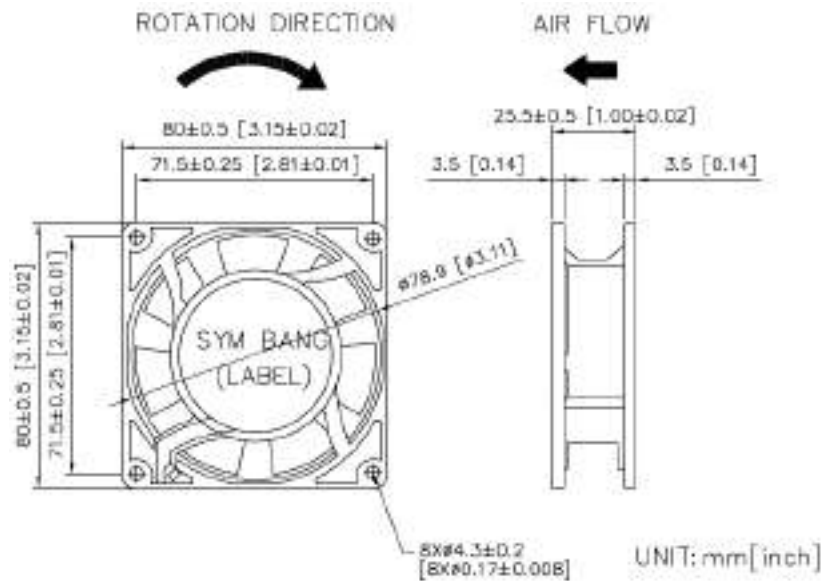
### 80X80X25mm (3.15"X3.15"x1")



HOUSING	Aluminum Die Casting, Painted Black
IMPELLER	Thermoplastic PBT, UL94V-0
BEARING	Ball or Sleeve
OPERATING TEMPERATURE	-10°C to + 70°C
INSULATION	Class A
OPERATING VOLTAGE RANGE	85 VAC to 125 VAC for 115V Type 185 VAC to 245 VAC for 230V Type
DIELECTRIC STRENGTH	5mA Max. at 1500 VAC for 1 second
INSULATION RESISTANCE	10M $\Omega$ min. @500 VDC
MOTOR TYPE	Shaded Pole Motor
SAFETY	Impedance Protected
TERMINATION	Terminals or Lead Wire
WEIGHT	223 g
ROHS COMPLIANCE	Yes
IP LEVEL	IP21 (Special IP Rating On Request)

# 80 mm

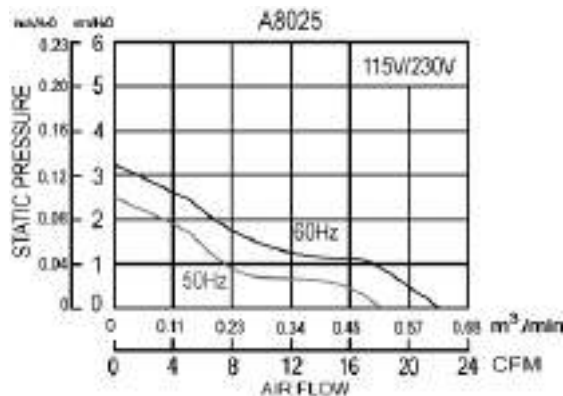
## DIMENSION



## SPECIFICATION

MODEL NO.	RATED VOLTAGE (V)	FREQUENCY (Hz)	RATED CURRENT (A)	INPUT POWER (W)	SPEED (RPM)	MAX. AIR PRESSURE		MAX. AIR FLOW		NOISE dB(A) @1M
						inch/H2O	mm/H2O	CFM	m3/min	
A8025V1HS	115	50/60	0.009/0.008	8/7	2400/3000	0.10/0.13	2.54/3.30	18/22	0.5/0.6	25/32
A8025V1HB	115	50/60	0.007/0.006	6/5	2400/2900	0.10/0.13	2.54/3.30	18/22	0.5/0.6	25/32
A8025V2HB	230	50/60	0.005/0.004	9/7	2400/3000	0.10/0.13	2.54/3.30	18/22	0.5/0.6	25/32
A8025V2HS	230	50/60	0.005/0.004	10/8	2400/2900	0.10/0.13	2.54/3.30	18/22	0.5/0.6	25/32

## AIR PERFORMANCE



# A

# 8025-S

## 80X80X25mm (3.15"X3.15"x1")



HOUSING Aluminum Die Casting, Painted Black  
 IMPELLER Thermoplastic PBT, UL94V-0  
 BEARING Ball or Sleeve  
 OPERATING TEMPERATURE Ball -20°C to + 70°C  
 Sleeve -10°C to + 55°C

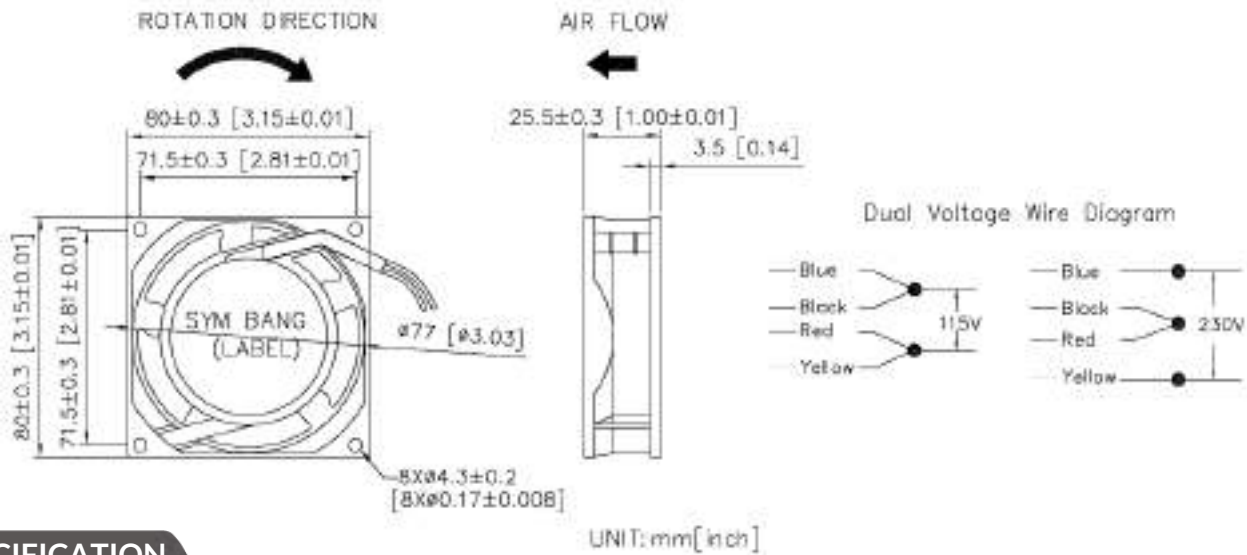
INSULATION Class A  
 OPERATING VOLTAGE RANGE 100 VAC to 120 VAC for 115V Type  
 200 VAC to 240 VAC for 230V Type

DIELECTRIC STRENGTH 5mA Max. at 1500 VAC for 1 second  
 INSULATION RESISTANCE 10M Ω min. @500 VDC

MOTOR TYPE Shaded Pole Motor  
 SAFETY Impedance Protected  
 TERMINATION Terminals or Lead Wire  
 WEIGHT 260 g  
 ROHS COMPLIANCE Yes  
 OPTIONAL FUNCTION FG, RD  
 IP LEVEL IP21 (Special IP Rating On Request)

# 80 mm

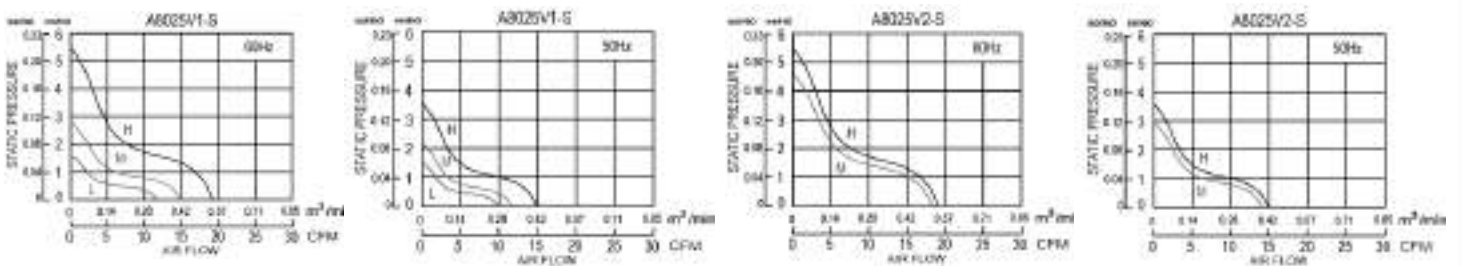
### DIMENSION



### SPECIFICATION

MODEL NO.	RATED VOLTAGE (V)	FREQUENCY (Hz)	RATED CURRENT (A)	INPUT POWER (W)	SPEED (RPM)	MAX. AIR PRESSURE		MAX. AIR FLOW		NOISE dB(A) @1M
						inch/H <sub>2</sub> O	mm/H <sub>2</sub> O	CFM	m <sup>3</sup> /min	
A8025V1H-S	115	50/60	0.17/0.15	15/13	2550/3200	0.14/0.22	3.5/5.5	15/19	0.42/0.54	27/34
A8025V1M-S	115	50/60	0.09/0.08	10/9	2100/2550	0.08/0.11	2.1/2.8	12/15	0.34/0.42	27/29
A8025V1L-S	115	50/60	0.07/0.06	7/6	1750/1850	0.06/0.06	1.5/1.6	10/12	0.28/0.34	25/30
A8025V2H-S	230	50/60	0.08/0.07	15/13	2550/3200	0.22/0.14	3.5/5.5	15/19	0.42/0.54	27/35
A8025V2M-S	230	50/60	0.06/0.05	10/9	2400/2950	0.11/0.17	2.9/4.3	14/18	0.40/0.51	23/24

### AIR PERFORMANCE



# A

# 8038

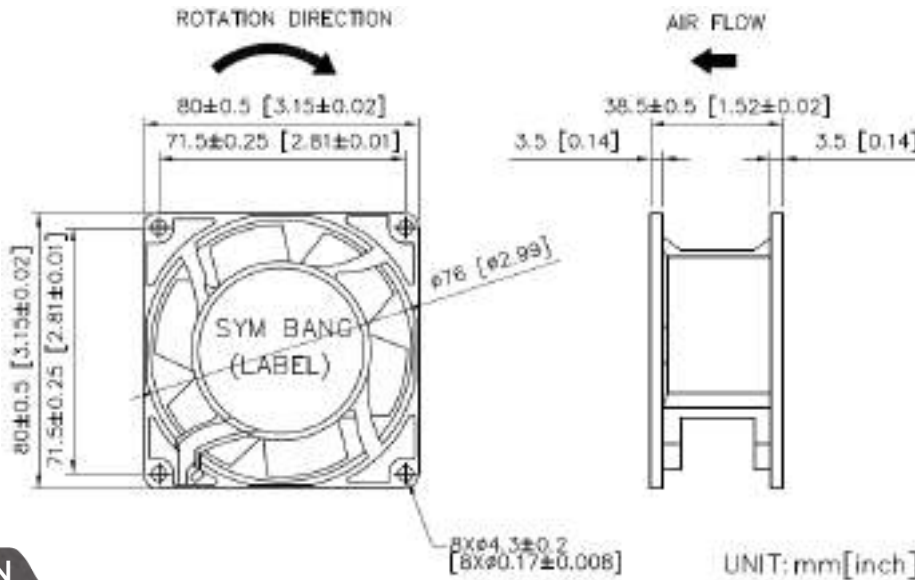
80X80X38mm (3.15"X3.15"x1.5")



HOUSING	Aluminum Die Casting, Painted Black
IMPELLER	Metal
BEARING	Ball or Sleeve
OPERATING TEMPERATURE	-10°C to +70°C
INSULATION	Class A
OPERATING VOLTAGE RANGE	85 VAC to 125 VAC for 115V Type 185 VAC to 245 VAC for 230V Type
DIELECTRIC STRENGTH	5mA Max. at 1500 VAC for 1 second
INSULATION RESISTANCE	10M $\Omega$ min. @500 VDC
MOTOR TYPE	Outer Rotor, Shaded Pole Motor
SAFETY	Impedance Protected
TERMINATION	Lead Wire
WEIGHT	323 g
ROHS COMPLIANCE	Yes
IP LEVEL	IP21 (Special IP Rating On Request)

# 80 mm

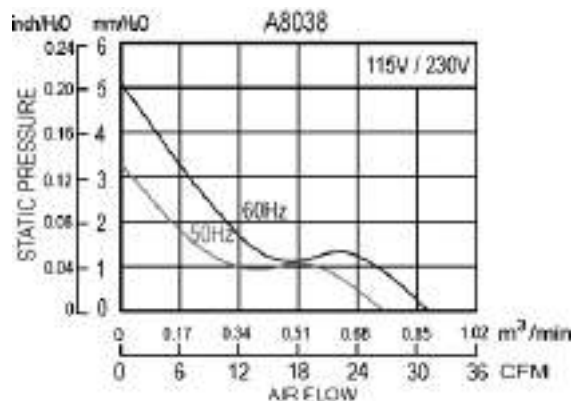
## DIMENSION



## SPECIFICATION

MODEL NO.	RATED VOLTAGE (V)	FREQUENCY (Hz)	RATED CURRENT (A)	INPUT POWER (W)	SPEED (RPM)	MAX. AIR PRESSURE		MAX. AIR FLOW		NOISE dB(A) @1M
						inch/H <sub>2</sub> O	mm/H <sub>2</sub> O	CFM	m <sup>3</sup> /min	
A8038V1H	115	50/60	0.15/0.12	11/9	2700/3100	0.13/0.20	3.30/5.08	26/31	0.75/0.90	35/39
A8038V2H	230	50/60	0.08/0.06	11/9	2700/3100	0.13/0.20	3.30/5.08	26/31	0.75/0.90	35/39

## AIR PERFORMANCE



AC Fans & Blowers



# A

# 8038-S

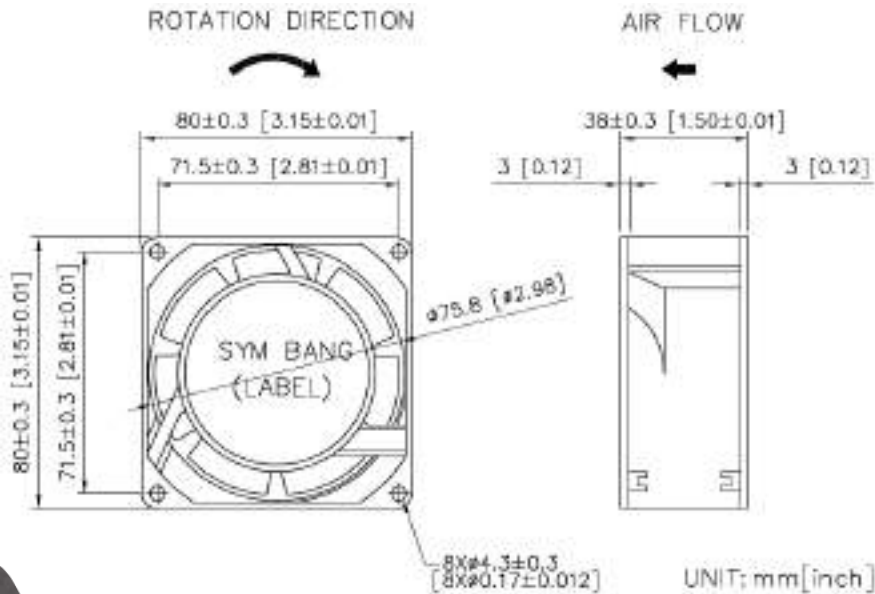
## 80X80X38mm (3.15"X3.15"x1.5")



HOUSING Aluminum Die Casting, Painted Black  
 IMPELLER Thermoplastic PBT, UL94V-0  
 BEARING Ball or Sleeve  
 OPERATING TEMPERATURE -10°C to + 70°C  
 INSULATION Class A  
 OPERATING VOLTAGE RANGE 100 VAC to 120 VAC for 115V Type  
 200 VAC to 240 VAC for 230V Type  
 DIELECTRIC STRENGTH 5mA Max. at 1500 VAC for 1 second  
 INSULATION RESISTANCE 10M Ω min. @500 VDC  
 MOTOR TYPE Shaded Pole Motor  
 SAFETY Impedance Protected  
 TERMINATION Terminals or Lead Wire  
 WEIGHT 370 g  
 ROHS COMPLIANCE Yes  
 ADDITIONAL FUNCTION FG, RD  
 IP LEVEL IP21 (Special IP Rating On Request)

# 80 mm

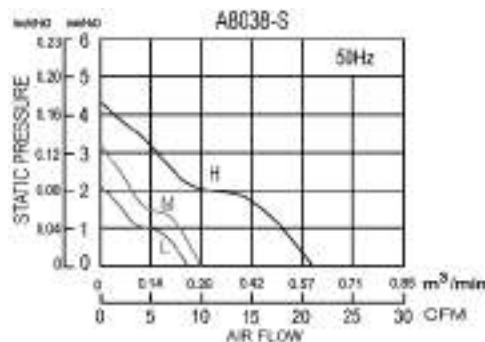
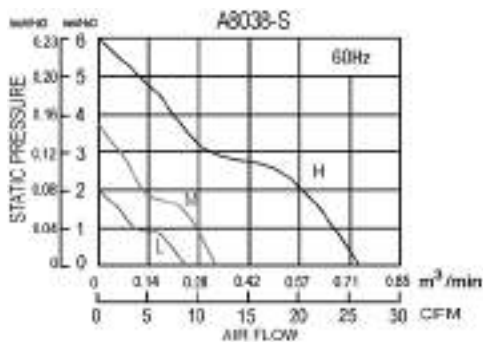
### DIMENSION



### SPECIFICATION

MODEL NO.	RATED VOLTAGE (V)	FREQUENCY (Hz)	RATED CURRENT (A)	INPUT POWER (W)	SPEED (RPM)	MAX. AIR PRESSURE		MAX. AIR FLOW		NOISE dB(A) @1M
						inch/H <sub>2</sub> O	mm/H <sub>2</sub> O	CFM	m <sup>3</sup> /min	
A8038V24H-S	24	50/60	0.65/0.60	16.2/15.3	2700/3250	0.17/0.24	4.3/6.0	21/26	0.59/0.74	29
A8038V1H-S	115	50/60	0.14/0.12	12.0/10.1	2700/3250	0.17/0.24	4.3/6.0	21/26	0.59/0.74	29
A8038V1M-S	115	50/60	0.06/0.06	6.2/5.6	2450/2700	0.12/0.15	3.2/3.8	20/23	0.56/0.65	22
A8038V2H-S	230	50/60	0.06/0.05	10.3/8.9	2700/3250	0.17/0.24	4.3/6.0	21/26	0.59/0.74	29
A8038V2M-S	230	50/60	0.03/0.03	4.9/4.6	2450/2700	0.12/0.15	3.2/3.8	20/23	0.56/0.65	22
A8038V2L-S	230	50/60	0.02/0.02	3.3/3.1	2200/2200	0.08/0.07	2.1/2.0	17/17	0.48/0.48	18

### AIR PERFORMANCE



# A

# 8038M

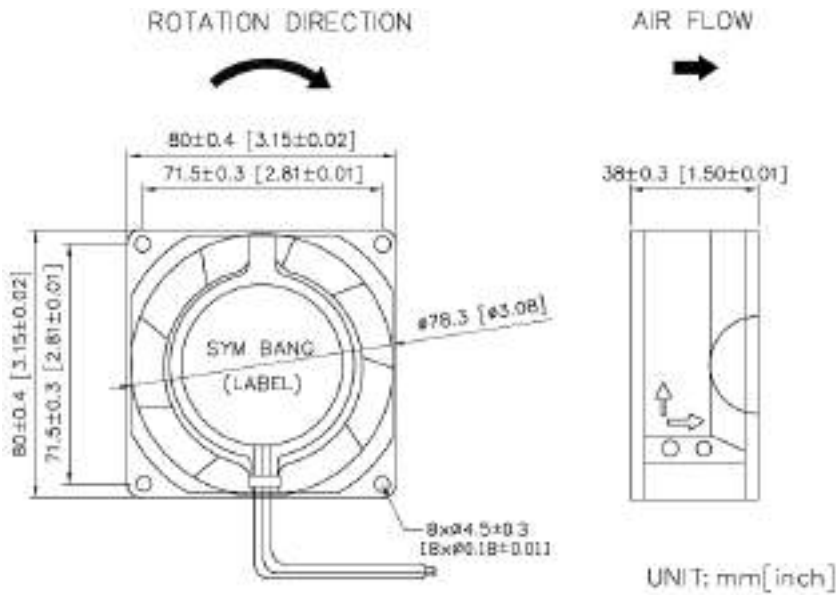
## 80X80X38mm (3.15"X3.15"x1.5")



HOUSING Aluminum Die Casting, Painted Black  
 IMPELLER Metal  
 BEARING Ball or Sleeve  
 OPERATING TEMPERATURE -10°C to + 70°C  
 INSULATION Class A  
 OPERATING VOLTAGE RANGE 85 VAC to 125 VAC for 115V Type  
 185 VAC to 245 VAC for 230V Type  
 DIELECTRIC STRENGTH 5mA Max. at 1500 VAC for 1 second  
 INSULATION RESISTANCE 10M  $\Omega$  min. @500 VDC  
 MOTOR TYPE Outer Rotor, Shaded Pole Motor  
 SAFETY Impedance Protected  
 TERMINATION Lead Wire  
 WEIGHT 420 g  
 ROHS COMPLIANCE Yes  
 IP LEVEL IP21 (Special IP Rating On Request)

# 80 mm

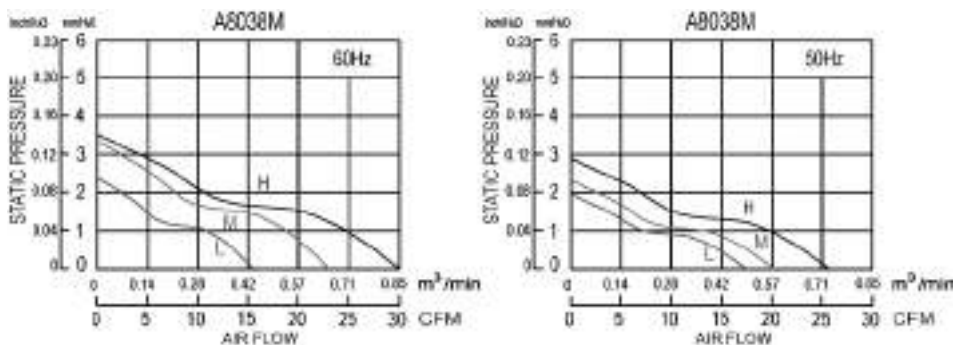
### DIMENSION



### SPECIFICATION

MODEL NO.	RATED VOLTAGE (V)	FREQUENCY (Hz)	RATED CURRENT (A)	INPUT POWER (W)	SPEED (RPM)	MAX. AIR PRESSURE		MAX. AIR FLOW		NOISE dB(A) @1M
						inch/H <sub>2</sub> O	mm/H <sub>2</sub> O	CFM	m <sup>3</sup> /min	
A8038V1HM	115	50/60	0.14/0.12	13/12	2700/3100	0.12/0.14	2.90/3.40	26/30	0.74/0.88	30/35
A8038V1LM	115	50/60	0.08/0.06	10/9	1750/2000	0.08/0.09	1.95/2.35	17/16	0.50/0.47	21/23
A8038V1MM	115	50/60	0.12/0.10	10/9	2150/2500	0.09/0.13	2.28/3.30	21/23	0.60/0.65	24/27
A8038V2HM	230	50/60	0.10/0.12	13/12	2700/3100	0.12/0.14	2.90/3.40	26/30	0.74/0.88	30/35
A8038V2MM	230	50/60	0.08/0.07	10/9	2150/2500	0.09/0.13	2.28/3.30	21/23	0.60/0.65	24/27
A8038V2LM	230	50/60	0.07/0.07	12/11	1750/2000	0.08/0.09	1.95/2.35	17/16	0.50/0.47	21/23

### AIR PERFORMANCE



AC Fans & Blowers



# A

# 9225

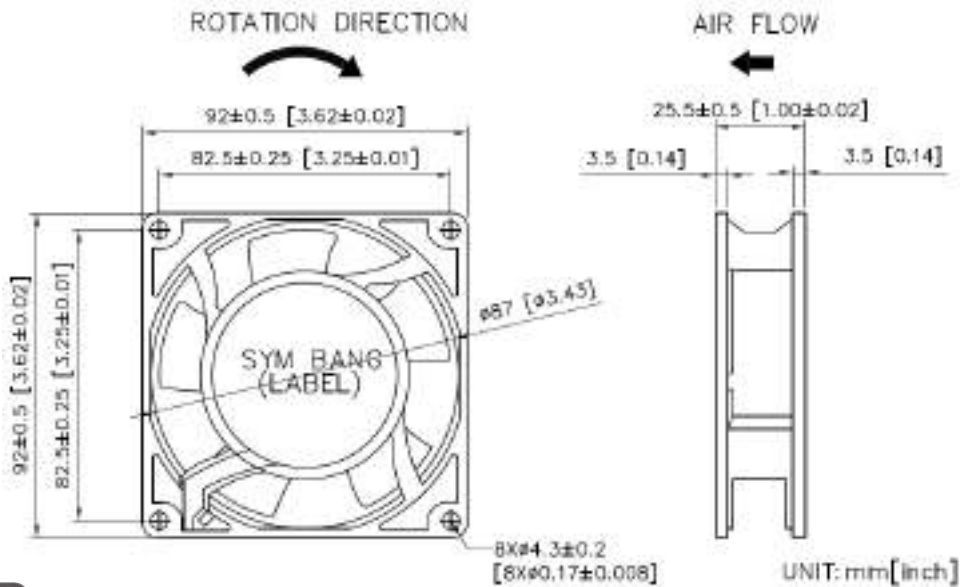
92X92X25mm (3.62"X3.62"x1")



HOUSING Aluminum Die Casting, Painted Black  
 IMPELLER Thermoplastic PBT, UL94V-0  
 BEARING Ball or Sleeve  
 OPERATING TEMPERATURE -10°C to + 70°C  
 INSULATION Class A  
 OPERATING VOLTAGE RANGE 85 VAC to 125 VAC for 115V Type  
 185 VAC to 245 VAC for 230V Type  
 DIELECTRIC STRENGTH 5mA Max. at 1500 VAC for 1 second  
 INSULATION RESISTANCE 10M Ω min. @500 VDC  
 MOTOR TYPE Shaded Pole Motor  
 SAFETY Impedance Protected  
 TERMINATION Terminals or Lead Wire  
 WEIGHT 300 g  
 ROHS COMPLIANCE Yes  
 IP LEVEL IP21 (Special IP Rating On Request)

# 92 mm

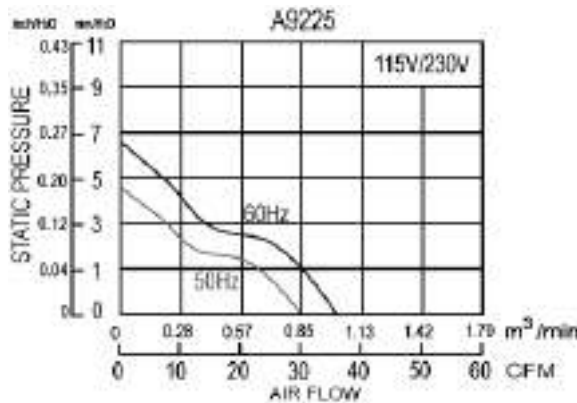
## DIMENSION



## SPECIFICATION

MODEL NO.	RATED VOLTAGE (V)	FREQUENCY (Hz)	RATED CURRENT (A)	INPUT POWER (W)	SPEED (RPM)	MAX. AIR PRESSURE		MAX. AIR FLOW		NOISE dB(A) @1M
						inch/H2O	mm/H2O	CFM	m3/min	
A9225V1H	115	50/60	0.14/0.11	11/9	2700/3100	0.18/0.26	4.57/6.60	30/36	0.85/1.0	40/45
A9225V2H	230	50/60	0.07/0.06	12/10	2700/3100	0.18/0.26	4.57/6.60	30/36	0.85/1.0	40/45

## AIR PERFORMANCE



# A

# 9225-S

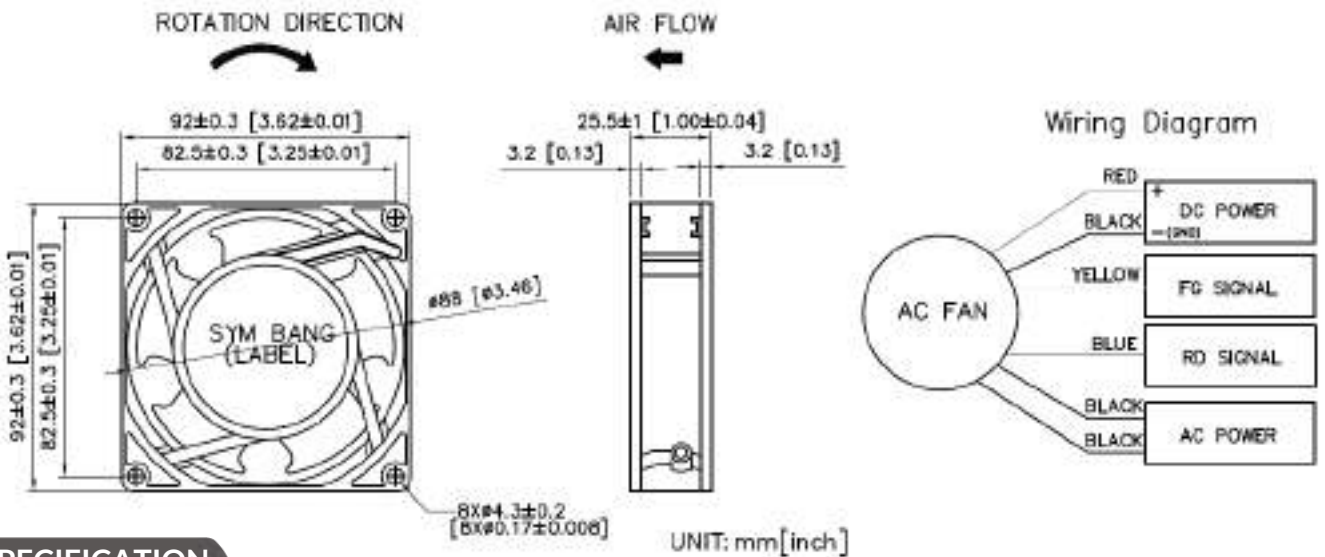
## 92X92X25mm (3.62"X3.62"x1")



HOUSING Aluminum Die Casting, Painted Black  
 IMPELLER Thermoplastic PBT, UL94V-0  
 BEARING Ball or Sleeve  
 OPERATING TEMPERATURE -10°C to + 70°C  
 INSULATION Class A  
 OPERATING VOLTAGE RANGE 100 VAC to 120 VAC for 115V Type  
 200 VAC to 240 VAC for 230V Type  
 DIELECTRIC STRENGTH 5mA Max. at 1500 VAC for 1 second  
 INSULATION RESISTANCE 10M  $\Omega$  min. @500 VDC  
 MOTOR TYPE Shaded Pole Motor  
 SAFETY Impedance Protected  
 TERMINATION Terminals or Lead Wire  
 WEIGHT 290 g  
 ROHS COMPLIANCE Yes  
 OPTIONAL FUNCTION FG, RD  
 IP LEVEL IP21 (Special IP Rating On Request)

# 92 mm

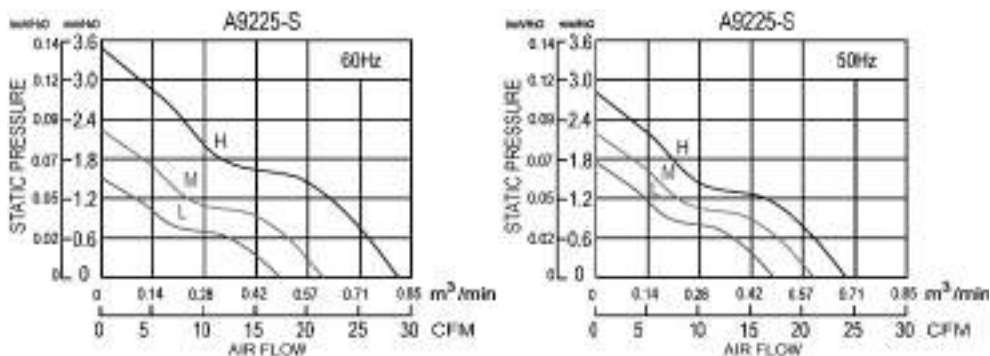
### DIMENSION



### SPECIFICATION

MODEL NO.	RATED VOLTAGE (V)	FREQUENCY (Hz)	RATED CURRENT (A)	INPUT POWER (W)	SPEED (RPM)	MAX. AIR PRESSURE inch/H2O	MAX. AIR PRESSURE mm/H2O	MAX. AIR FLOW CFM	MAX. AIR FLOW m3/min	NOISE dB(A) @1M
A9225V24H-S	24	50/60	0.64/0.58	12.9/11.4	2400/2900	0.11/0.13	2.80/3.50	24/28	0.68/0.79	30
A9225V1H-S	115	50/60	0.18/0.16	18/15	2500/3000	0.11/0.13	2.80/3.50	24/28	0.68/0.79	30
A9225V1M-S	115	50/60	0.08/0.07	8.3/7.9	2100/2300	0.08/0.08	2.23/2.22	21.4/22.1	0.60/0.62	22
A9225V1L-S	115	50/60	0.06/0.05	6.0/5.9	1700/1750	0.06/0.06	1.75/1.61	17.6/16.8	0.50/0.47	19
A9225V2H-S	230	50/60	0.09/0.08	15/13	2500/3000	0.11/0.13	2.80/3.50	24/28	0.68/0.79	30
A9225V2M-S	230	50/60	0.04/0.03	7.5/7.0	2100/2300	0.08/0.08	2.23/2.22	21.4/22.1	0.60/0.62	22
A9225V2L-S	230	50/60	0.03/0.03	6.8/6.0	1650/1850	0.06/0.06	1.75/1.61	17.6/16.8	0.50/0.47	19

### AIR PERFORMANCE



AC Fans & Blowers

# A

# 9238

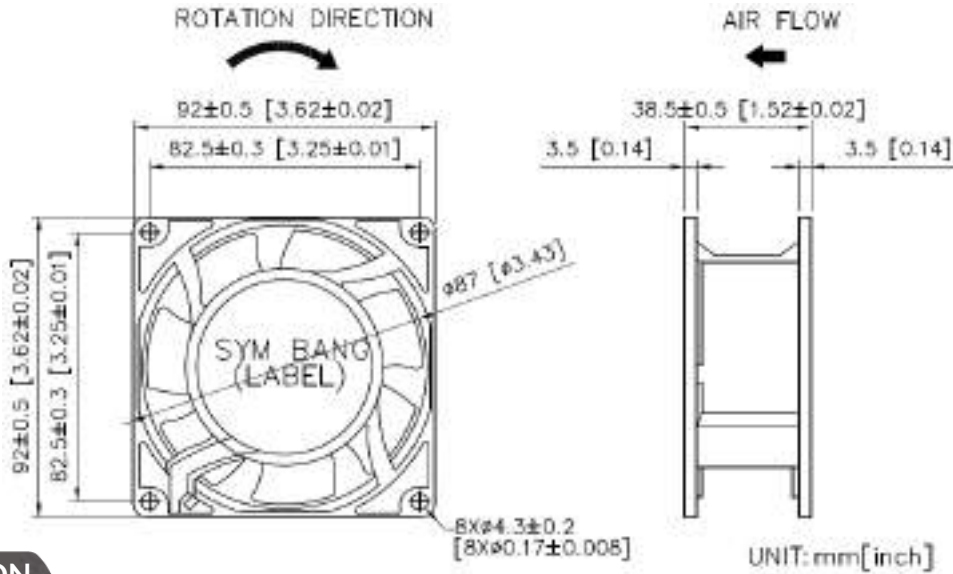
## 92X92X38mm (3.6"X3.6"x1.5")



HOUSING Aluminum Die Casting, Painted Black  
 IMPELLER Thermoplastic PBT, UL91V-0  
 BEARING Ball or Sleeve  
 OPERATING TEMPERATURE -10°C to + 70°C  
 INSULATION Class A  
 OPERATING VOLTAGE RANGE 85 VAC to 125 VAC for 115V Type  
 185 VAC to 245 VAC for 230V Type  
 DIELECTRIC STRENGTH 5mA Max. at 1500 VAC for 1 second  
 INSULATION RESISTANCE 10M Ω min. @500 VDC  
 MOTOR TYPE Shaded Pole Motor  
 SAFETY Impedance Protected  
 TERMINATION Terminals or Lead Wire  
 WEIGHT 446 g  
 ROHS COMPLIANCE Yes  
 IP LEVEL IP21 (Special IP Rating On Request)

# 92 mm

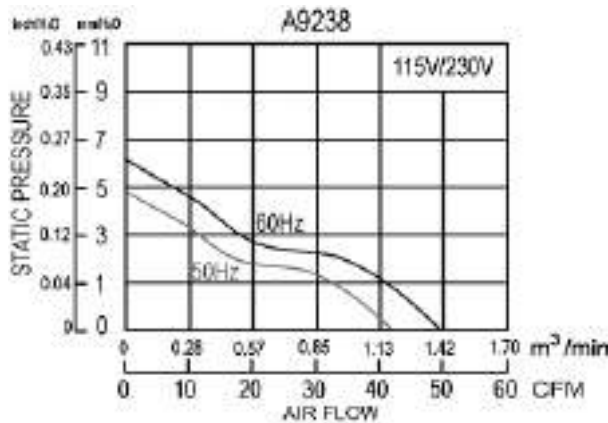
### DIMENSION



### SPECIFICATION

MODEL NO.	RATED VOLTAGE (V)	FREQUENCY (Hz)	RATED CURRENT (A)	INPUT POWER (W)	SPEED (RPM)	MAX. AIR PRESSURE		MAX. AIR FLOW		NOISE dB(A) @1M
						inch/H <sub>2</sub> O	mm/H <sub>2</sub> O	CFM	m <sup>3</sup> /min	
A9238V1H	115	50/60	0.19/0.15	14/11	2750/3250	0.19/0.24	4.83/6.10	42/49	1.2/1.4	40/45
A9238V2H	230	50/60	0.10/0.08	15/12	2750/3250	0.19/0.24	4.83/6.10	42/49	1.2/1.4	40/45

### AIR PERFORMANCE



# A

# 9238-S

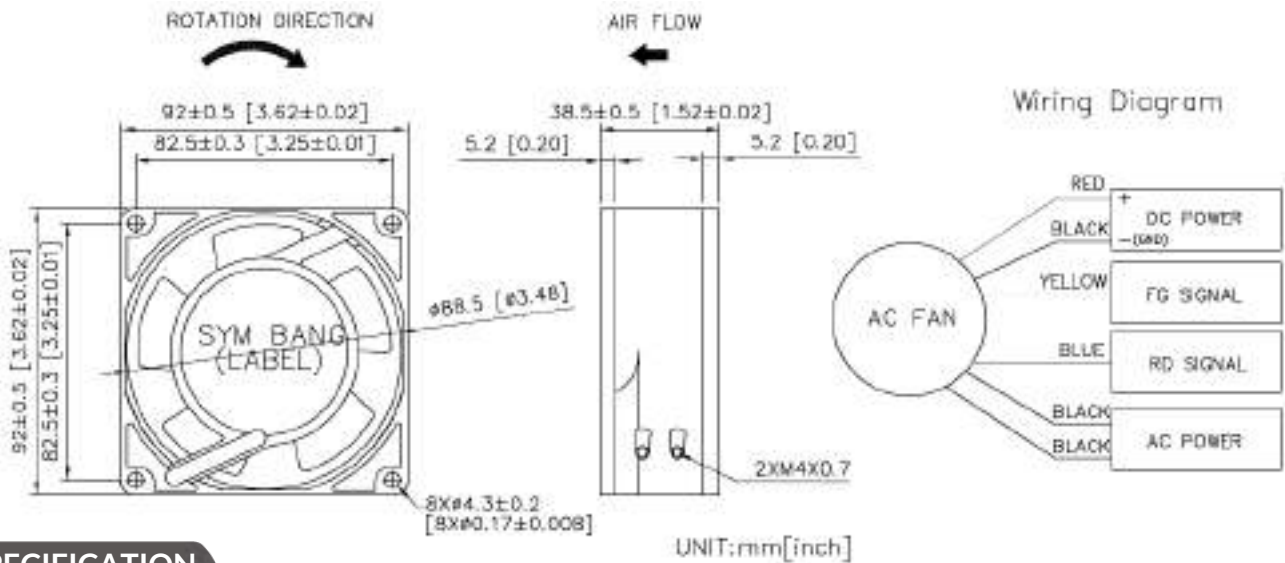
## 92X92X38mm (3.6"X3.6"x1.5")



- HOUSING: Aluminum Die Casting, Painted Black
- IMPELLER: Thermoplastic PBT, UL91V-0
- BEARING: Ball or Sleeve
- OPERATING TEMPERATURE: -10°C to + 70°C
- INSULATION: Class A
- OPERATING VOLTAGE RANGE: 100 VAC to 120 VAC for 115V Type  
200 VAC to 240 VAC for 230V Type
- DIELECTRIC STRENGTH: 5mA Max. at 1500 VAC for 1 second
- INSULATION RESISTANCE: 10M  $\Omega$  min. @500 VDC
- MOTOR TYPE: Shaded Pole Motor
- SAFETY: Impedance Protected
- TERMINATION: Terminals or Lead Wire
- WEIGHT: 450 g
- ROHS COMPLIANCE: Yes
- OPTIONAL FUNCTION: FG, RD
- IP LEVEL: IP21 (Special IP Rating On Request)

# 92 mm

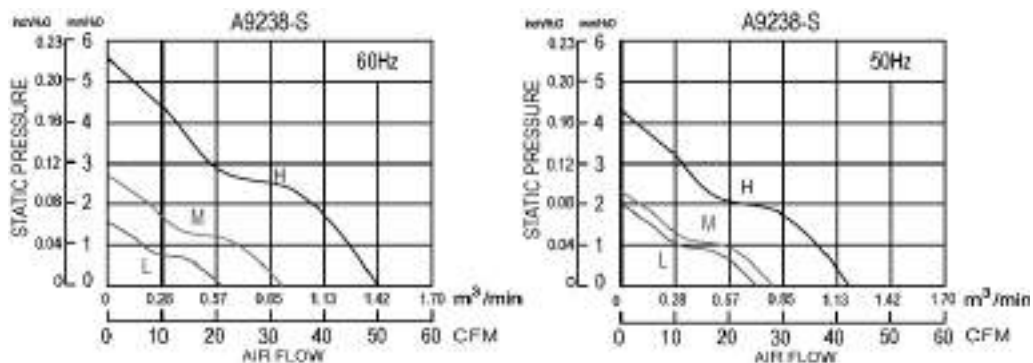
### DIMENSION



### SPECIFICATION

MODEL NO.	RATED VOLTAGE (V)	FREQUENCY (Hz)	RATED CURRENT (A)	INPUT POWER (W)	SPEED (RPM)	MAX. AIR PRESSURE (inch/H <sub>2</sub> O mm/H <sub>2</sub> O)	MAX. AIR FLOW (CFM m <sup>3</sup> /min)	NOISE dB(A) @1M
A9238V1H-S	115	50/60	0.15/0.13	12.8/11.3	2700/3200	0.16/0.22 4.3/5.5	42/50 1.19/1.42	32
A9238V1M-S	115	50/60	0.07/0.06	5.8/5.6	2400/2550	0.09/0.10 2.3/2.7	28/32 0.79/0.91	23
A9238V1L-S	115	50/60	0.05/0.05	4.4/4.3	2200/1950	0.07/0.06 2.0/1.6	25/21 0.71/0.59	19
A9238V2H-S	230	50/60	0.07/0.06	12.7/11.1	2600/3050	0.16/0.22 4.3/5.5	42/50 1.19/1.42	32
A9238V2M-S	230	50/60	0.04/0.04	6.8/6.4	2400/2550	0.09/0.10 2.3/2.7	28/32 0.79/0.91	23

### AIR PERFORMANCE



AC Fans & Blowers



# A

# 9238M

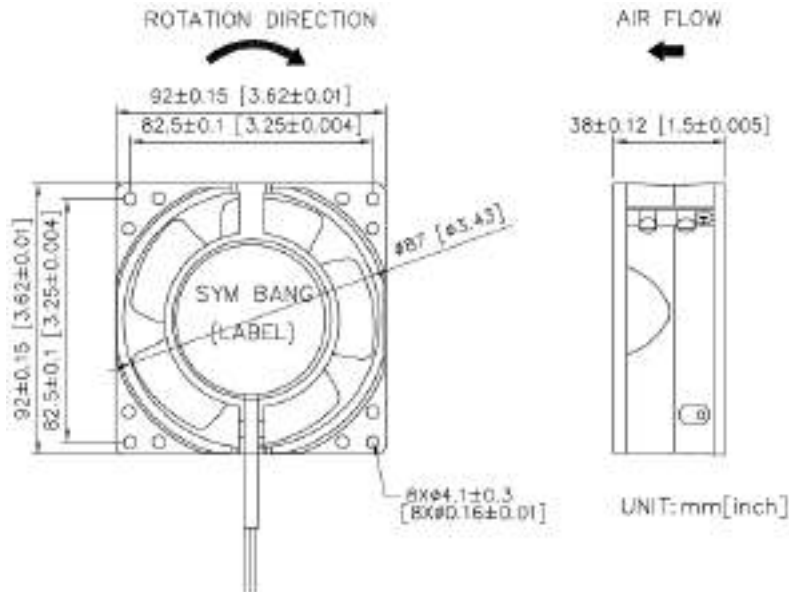
## 92X92X38mm (3.6"X3.6"x1.5")



HOUSING	Aluminum Die Casting, Painted Black
IMPELLER	Metal
BEARING	Ball or Sleeve
OPERATING TEMPERATURE	-10°C to + 70°C
INSULATION	Class A
OPERATING VOLTAGE RANGE	85 VAC to 125 VAC for 115V Type 185 VAC to 245 VAC for 230V Type
DIELECTRIC STRENGTH	5mA Max. at 1500 VAC for 1 second
INSULATION RESISTANCE	10M Ω min. @500 VDC
MOTOR TYPE	Outer Rotor, Shaded Pole Motor
SAFETY	Impedance Protected
TERMINATION	Lead Wire
WEIGHT	420 g
ROHS COMPLIANCE	Yes
IP LEVEL	IP21 (Special IP Rating On Request)

# 92 mm

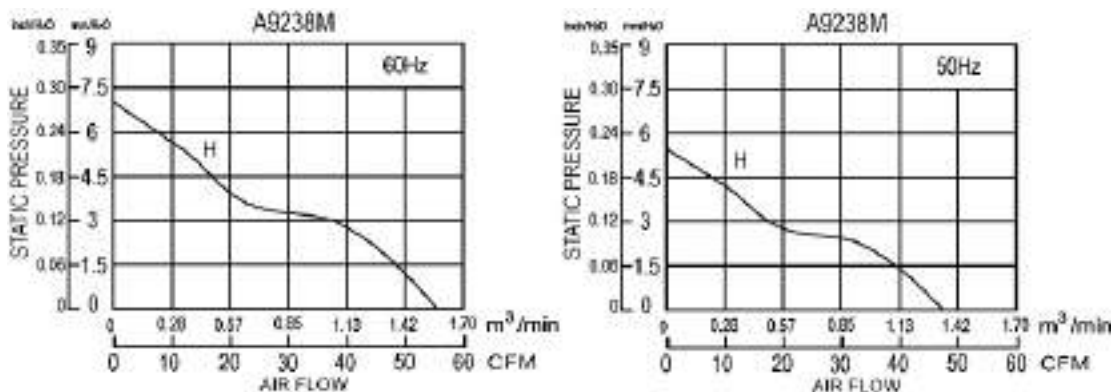
### DIMENSION



### SPECIFICATION

MODEL NO.	RATED VOLTAGE (V)	FREQUENCY (Hz)	RATED CURRENT (A)	INPUT POWER (W)	SPEED (RPM)	MAX. AIR PRESSURE		MAX. AIR FLOW		NOISE dB(A) @1M
						inch/H2O	mm/H2O	CFM	m3/min	
A9238V1HM	115	50/60	0.25/0.24	16/14	2600/3000	0.21/0.27	5.4/6.9	47/55	1.33/1.56	38/43
A9238V2HM	230	50/60	0.22/0.20	16/14	2600/3000	0.21/0.27	5.4/6.9	47/55	1.33/1.56	38/43

### AIR PERFORMANCE



# A

# 9238M-B

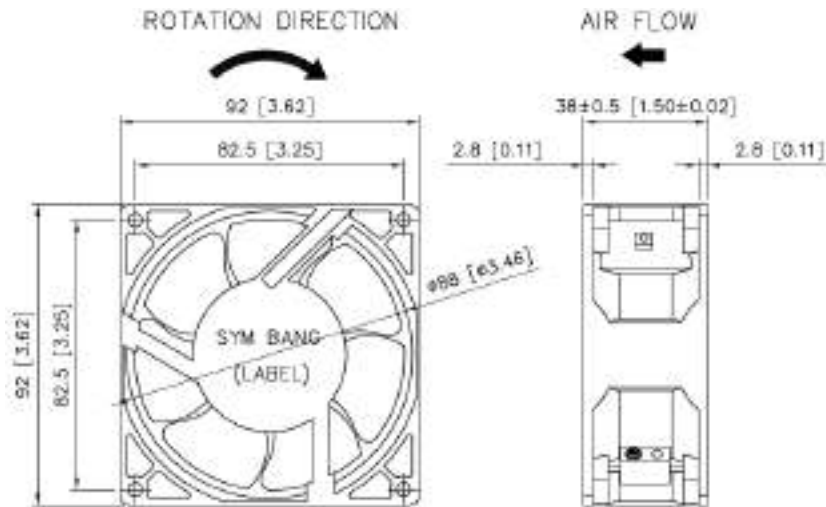
92X92X38mm (3.6"X3.6"x1.5")



HOUSING Aluminum Die Casting, Painted Black  
 IMPELLER Iron Leaf  
 BEARING Ball or Sleeve  
 OPERATING TEMPERATURE -10°C to + 105°C  
 INSULATION Class A  
 OPERATING VOLTAGE RANGE 85 VAC to 125 VAC for 115V Type  
 185 VAC to 240 VAC for 220V Type  
 DIELECTRIC STRENGTH 5mA Max. at 1500 VAC for 1 second  
 INSULATION RESISTANCE 10M  $\Omega$  min. @500 VDC  
 MOTOR TYPE Outer Rotor, Shaded Pole Motor  
 SAFETY Impedance Protected  
 TERMINATION Terminals or Lead Wire  
 WEIGHT 480 g  
 ROHS COMPLIANCE Yes  
 IP LEVEL IP21 (Special IP Rating On Request)

# 92 mm

## DIMENSION

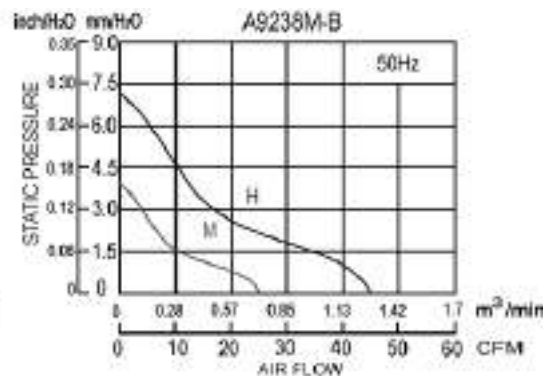
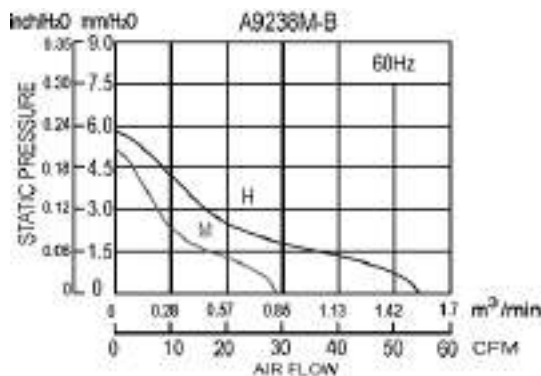


UNIT: mm [inch]

## SPECIFICATION

MODEL NO.	RATED VOLTAGE (V)	FREQUENCY (Hz)	RATED CURRENT (A)	INPUT POWER (W)	SPEED (RPM)	MAX. AIR PRESSURE		MAX. AIR FLOW		NOISE dB(A) @1M
						inch/H <sub>2</sub> O	mm/H <sub>2</sub> O	CFM	m <sup>3</sup> /min	
A9238V1HM-B	110	50/60	0.24	16	2600/3000	0.29/0.23	7.4/5.9	46/54	1.30/1.52	38/43
A9238V1MM-B	110	50/60	0.22	14	2300/2700	0.16/0.20	4.0/5.0	25/29	1.18/1.42	35/40
A9238V2HM-B	220	50/60	0.12	16	2600/3000	0.29/0.23	7.4/5.9	46/54	1.30/1.52	38/43
A9238V2MM-B	220	50/60	0.1	14	2300/2700	0.16/0.20	4.0/5.0	25/29	1.18/1.42	35/40

## AIR PERFORMANCE





# A

# 12025

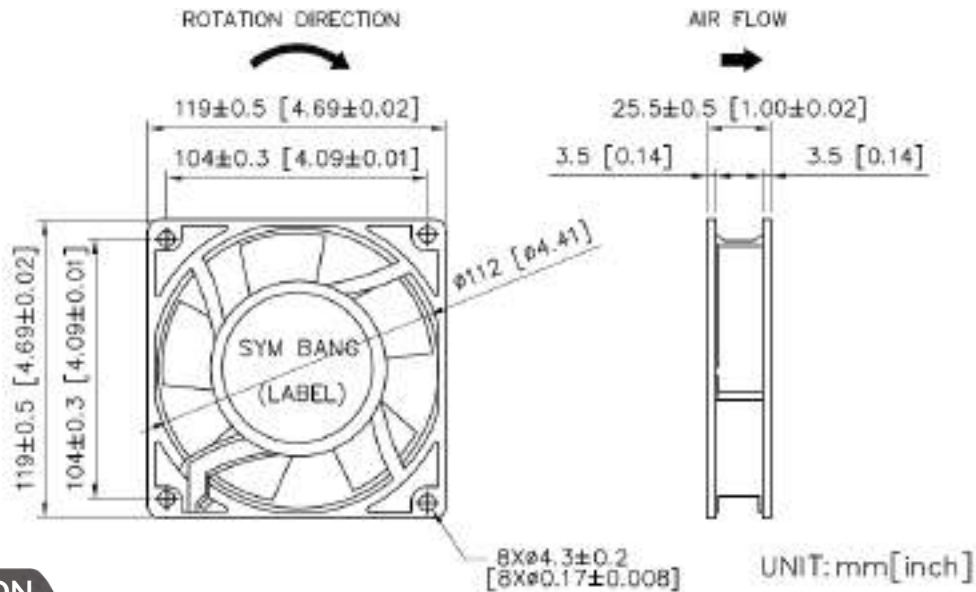
120X120X25mm (4.7"X4.7"x1")



HOUSING	Aluminum Die Casting, Painted Black
IMPELLER	Thermoplastic PBT, UL94V-0
BEARING	Ball or Sleeve
OPERATING TEMPERATURE	-10°C to + 70°C
INSULATION	Class A
OPERATING VOLTAGE RANGE	85 VAC to 125 VAC for 115V Type 185 VAC to 245 VAC for 230V Type
DIELECTRIC STRENGTH	5mA Max. at 1500 VAC for 1 second
INSULATION RESISTANCE	10M $\Omega$ min. @500 VDC
MOTOR TYPE	Shaded Pole Motor
SAFETY	Impedance Protected
TERMINATION	Terminals or Lead Wire
WEIGHT	346 g
ROHS COMPLIANCE	Yes
IP LEVEL	IP21 (Special IP Rating On Request)

# 120 mm

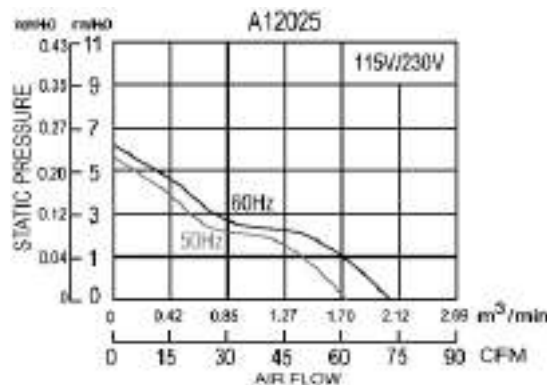
## DIMENSION



## SPECIFICATION

MODEL NO.	RATED VOLTAGE (V)	FREQUENCY (Hz)	RATED CURRENT (A)	INPUT POWER (W)	SPEED (RPM)	MAX. AIR PRESSURE		MAX. AIR FLOW		NOISE dB(A) @1M
						inch/H <sub>2</sub> O	mm/H <sub>2</sub> O	CFM	m <sup>3</sup> /min	
A12025V1H	115	50/60	0.15/0.12	13/10	2600/3000	0.22/0.25	5.59/6.35	61/72	1.8/2.0	42/45
A12025V2H	230	50/60	0.07/0.06	13/10	2600/3000	0.22/0.25	5.59/6.35	61/72	1.8/2.0	42/45

## AIR PERFORMANCE



# A

# 12025-S

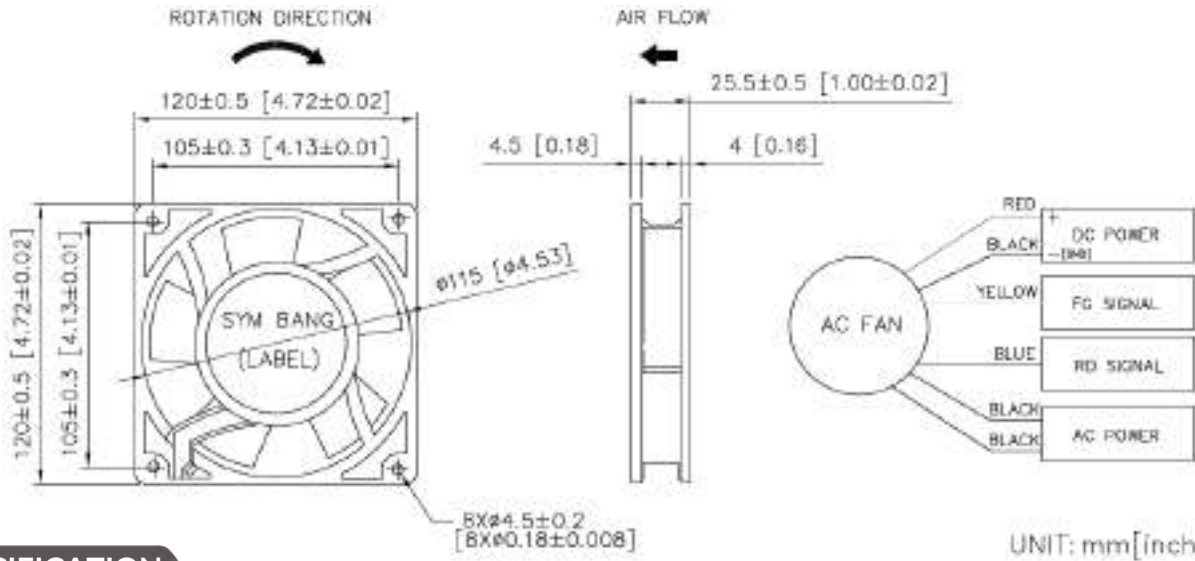
## 120X120X25mm (4.7"X4.7"x1")



HOUSING Aluminum Die Casting, Painted Black  
 IMPELLER Thermoplastic PBT, UL94V-0  
 BEARING Ball or Sleeve  
 OPERATING TEMPERATURE -10°C to + 70°C  
 INSULATION Class A  
 OPERATING VOLTAGE RANGE 100 VAC to 120 VAC for 115V Type  
 200 VAC to 240 VAC for 230V Type  
 DIELECTRIC STRENGTH 5mA Max. at 1500 VAC for 1 second  
 INSULATION RESISTANCE 10M  $\Omega$  min. @500 VDC  
 MOTOR TYPE Shaded Pole Motor  
 SAFETY Impedance Protected  
 TERMINATION Terminals or Lead Wire  
 WEIGHT 390 g  
 ROHS COMPLIANCE Yes  
 OPTIONAL FUNCTION FG, RD  
 IP LEVEL IP21 (Special IP Rating On Request)

# 120 mm

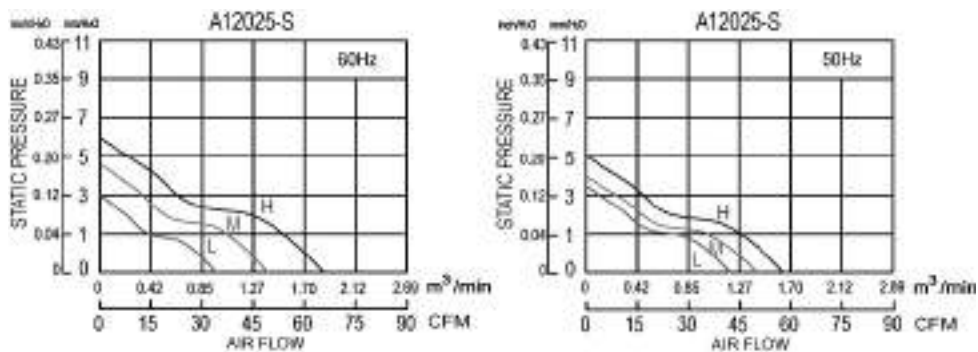
### DIMENSION



### SPECIFICATION

MODEL NO.	RATED VOLTAGE (V)	FREQUENCY (Hz)	RATED CURRENT (A)	INPUT POWER (W)	SPEED (RPM)	MAX. AIR PRESSURE		MAX. AIR FLOW		NOISE dB(A) @1M
						inch/H <sub>2</sub> O	mm/H <sub>2</sub> O	CFM	m <sup>3</sup> /min	
A12025V1H-S	115	50/60	0.22/0.20	20.0/17.0	2550/3000	0.20/0.23	5.0/5.9	56/65	1.60/1.85	44/48
A12025V1M-S	115	50/60	0.10/0.09	8.0/7.5	2400/2600	0.16/0.18	4.0/4.5	50/48	1.42/1.36	42/45
A12025V1L-S	115	50/60	0.06/0.05	5.5/5.0	2100/1900	0.14/0.12	3.5/3.0	43/33	1.22/0.95	39/35
A12025V2H-S	230	50/60	0.10/0.09	17.0/15.0	2550/3000	0.20/0.23	5.0/5.9	56/65	1.60/1.85	44/48
A12025V2M-S	230	50/60	0.06/0.05	9.5/8.3	2400/2600	0.16/0.18	4.0/4.5	50/48	1.42/1.36	42/45
A12025V2L-S	230	50/60	0.03/0.02	5.0/4.5	2000/1750	0.14/0.12	3.5/3.0	43/33	1.22/0.95	36/31

### AIR PERFORMANCE



AC Fans & Blowers

# A

# 12038

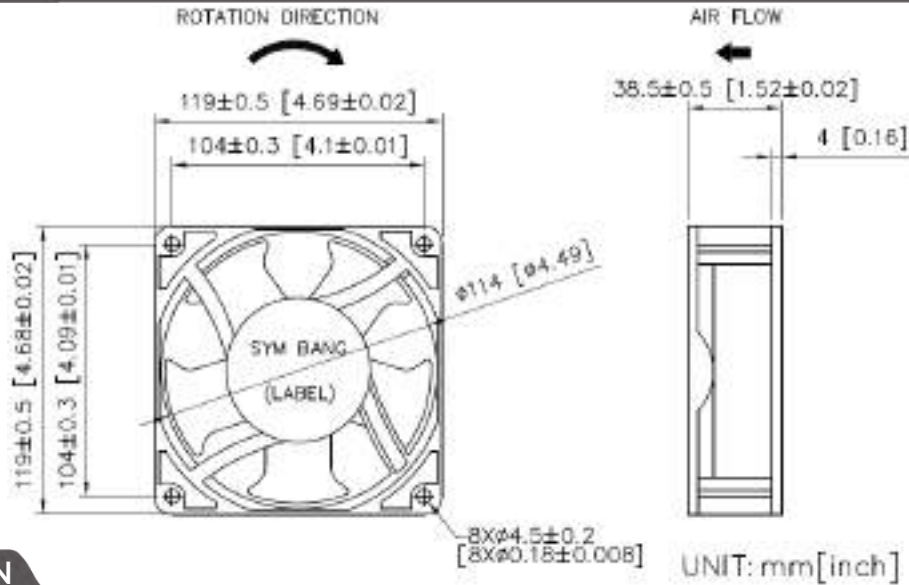
## 120X120X38mm (4.7"X4.7"x1.5")



HOUSING Aluminum Die Casting, Painted Black  
 IMPELLER Thermoplastic PBT, UL94V-0  
 BEARING Ball or Sleeve  
 OPERATING TEMPERATURE -10°C to + 70°C  
 INSULATION Class A  
 OPERATING VOLTAGE RANGE 85 VAC to 125 VAC for 115V Type  
 185 VAC to 245 VAC for 230V Type  
 DIELECTRIC STRENGTH 5mA Max. at 1500 VAC for 1 second  
 INSULATION RESISTANCE 10M  $\Omega$  min. @500 VDC  
 MOTOR TYPE Shaded Pole Motor  
 SAFETY Impedance Protected  
 TERMINATION Terminals or Lead Wire  
 WEIGHT 515 g  
 ROHS COMPLIANCE Yes  
 IP LEVEL IP21 (Special IP Rating On Request)

# 120 mm

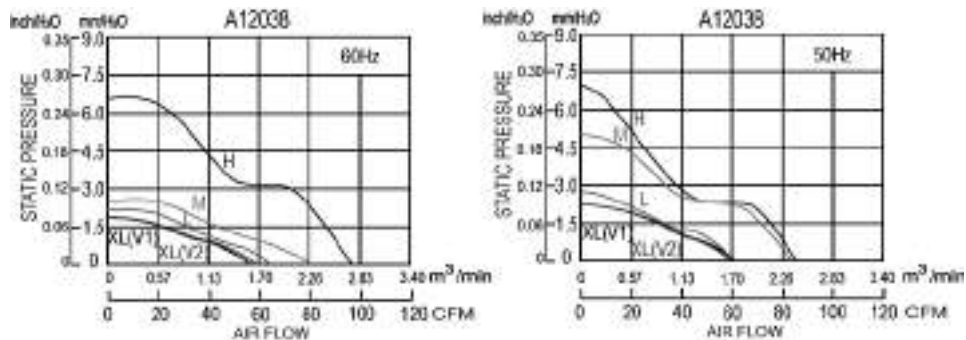
### DIMENSION



### SPECIFICATION

MODEL NO.	RATED VOLTAGE (V)	FREQUENCY (Hz)	RATED CURRENT (A)	INPUT POWER (W)	SPEED (RPM)	MAX. AIR PRESSURE		MAX. AIR FLOW		NOISE dB(A) @1M
						inch/H <sub>2</sub> O	mm/H <sub>2</sub> O	CFM	m <sup>3</sup> /min	
A12038V48H	48	50/60	0.52/0.43	16/14	2600/3000	0.28/0.26	7.11/6.60	85/97	2.4/2.8	44/48
A12038V1H	115	50/60	0.26/0.21	20/16	2600/3000	0.28/0.26	7.11/6.60	85/97	2.4/2.8	44/48
A12038V1M	115	50/60	0.14/0.13	11/11	2500/2500	0.20/0.09	5.08/2.29	83/81	2.3/2.2	43/42
A12038V1L	115	50/60	0.13/0.11	11/10	2000/1900	0.11/0.08	2.79/2.03	61/64	1.7/1.8	34/35
A12038V1XL	115	50/60	0.08/0.07	7/6	1900/1700	0.09/0.07	2.29/1.78	61/56	1.7/1.5	34/33
A12038V2H	230	50/60	0.13/0.10	20/16	2700/3100	0.28/0.26	7.11/6.60	85/97	2.4/2.8	44/48
A12038V2M	230	50/60	0.07/0.06	12/11	2500/2500	0.20/0.09	5.08/2.29	83/81	2.3/2.2	43/42
A12038V2L	230	50/60	0.07/0.06	12/10	1900/2000	0.11/0.08	2.79/2.03	61/64	1.7/1.8	34/35
A12038V2XL	230	50/60	0.05/0.04	9/8	1900/1800	0.09/0.07	2.29/1.78	59/59	1.6/1.6	33/33

### AIR PERFORMANCE



# A

# 12038-C

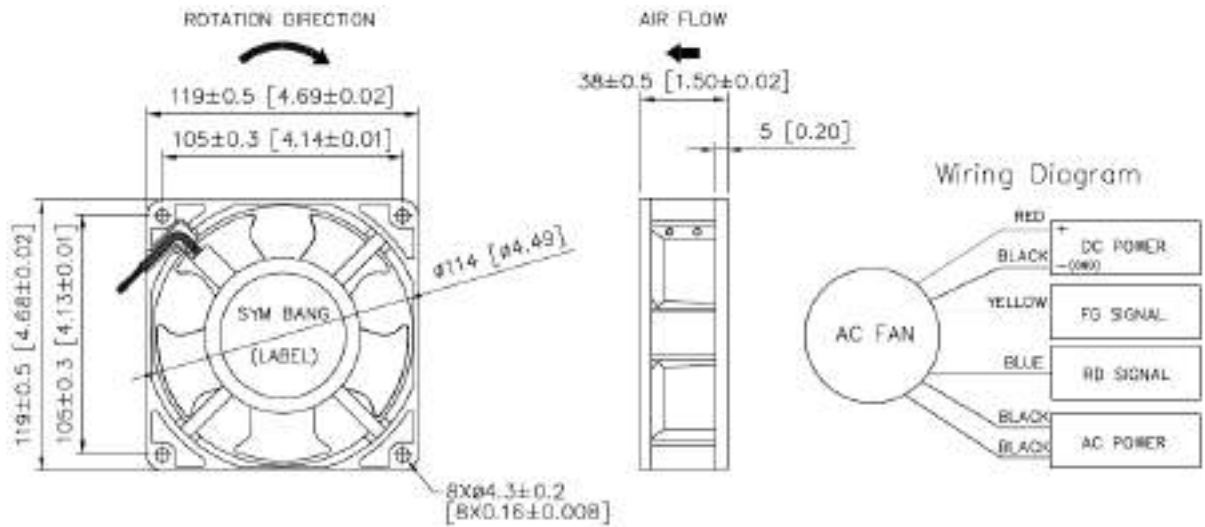
# 120X120X38mm (4.7"X4.7"x1.5")



HOUSING Aluminum Die Casting, Painted Black  
 IMPELLER Thermoplastic PBT, UL94V-0  
 BEARING Ball or Sleeve  
 OPERATING TEMPERATURE -10°C to + 70°C  
 INSULATION Class A  
 OPERATING VOLTAGE RANGE 100 VAC to 120 VAC for 115V Type  
 200 VAC to 240 VAC for 230V Type  
 DIELECTRIC STRENGTH 5mA Max. at 1500 VAC for 1 second  
 INSULATION RESISTANCE 10M  $\Omega$  min. @500 VDC  
 MOTOR TYPE Shaded Pole Motor  
 SAFETY Impedance Protected  
 TERMINATION Terminals or Lead Wire  
 WEIGHT 550 g  
 ROHS COMPLIANCE Yes  
 OPTIONAL FUNCTION FG  
 IP LEVEL IP21 (Special IP Rating On Request)

# 120 mm

## DIMENSION

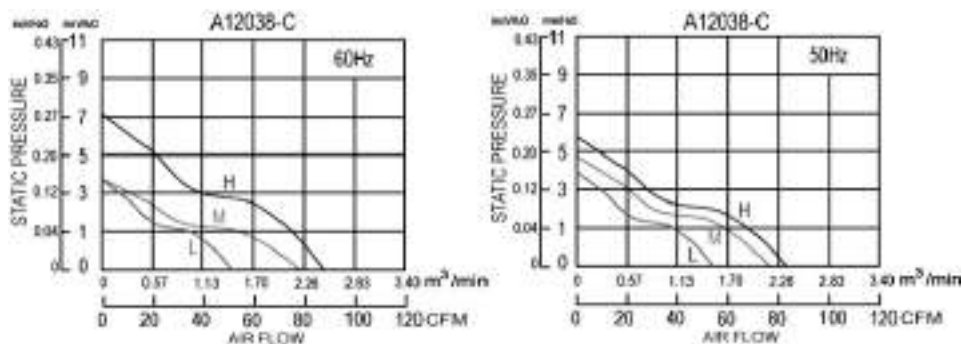


UNIT:mm[inch]

## SPECIFICATION

MODEL NO.	RATED VOLTAGE (V)	FREQUENCY (Hz)	RATED CURRENT (A)	INPUT POWER (W)	SPEED (RPM)	MAX. AIR PRESSURE inch/H2O mm/H2O	MAX. AIR FLOW CFM m3/min	NOISE dB(A) @1M
A12038V1H-C	115	50/60	0.24/0.18	19/15	2700/3000	0.23/0.28 5.84/7.11	83/87 2.35/2.47	42/47
A12038V1M-C	115	50/60	0.13/0.12	11/10	2200/2500	0.19/0.15 4.83/3.87	76/78 2.15/2.20	37/39
A12038V1L-C	115	50/60	0.11/0.10	9/8	2000/1800	0.16/0.15 4.06/3.81	54/52 1.50/1.40	34/30
A12038V2H-C	230	50/60	0.15/0.11	23/18	2700/3000	0.23/0.28 5.84/7.11	83/87 2.35/2.47	42/47
A12038V2M-C	230	50/60	0.11/0.09	18/15	2200/2500	0.19/0.15 4.83/3.87	76/78 2.15/2.20	37/39
A12038V2L-C	230	50/60	0.08/0.06	13/10	2000/1800	0.16/0.15 4.06/3.81	54/52 1.50/1.40	34/30

## AIR PERFORMANCE



AC Fans &amp; Blowers



# A

# 12038-S

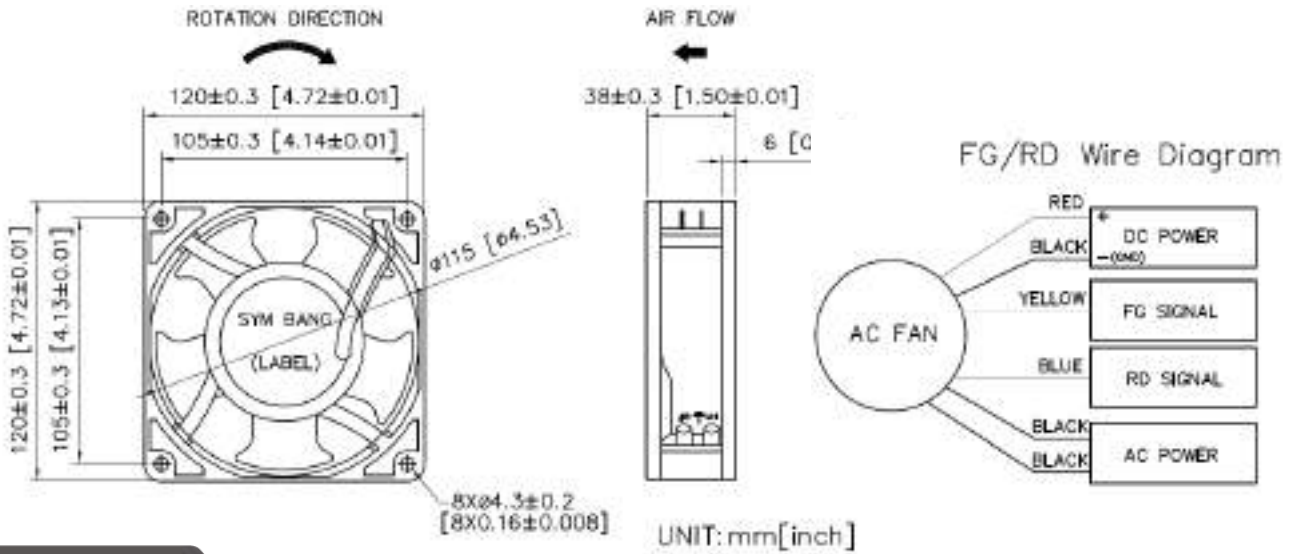
## 120X120X38mm (4.7"X4.7"x1.5")



HOUSING Aluminum Die Casting, Painted Black  
 IMPELLER Thermoplastic PBT, UL94V-0  
 BEARING Ball or Sleeve  
 OPERATING TEMPERATURE -10°C to + 70°C  
 INSULATION Class A  
 OPERATING VOLTAGE RANGE 100 VAC to 120 VAC for 115V Type  
 200 VAC to 240 VAC for 230V Type  
 DIELECTRIC STRENGTH 5mA Max. at 1500 VAC for 1 second  
 INSULATION RESISTANCE 10M Ω min. @500 VDC  
 MOTOR TYPE Shaded Pole Motor  
 SAFETY Impedance Protected  
 TERMINATION Terminals or Lead Wire  
 WEIGHT 515 g  
 ROHS COMPLIANCE Yes  
 IP LEVEL IP21 (Special IP Rating On Request)

# 120 mm

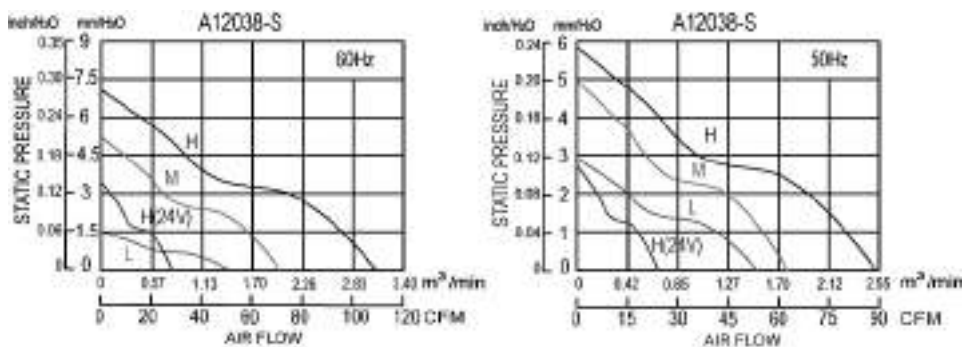
### DIMENSION



### SPECIFICATION

MODEL NO.	RATED VOLTAGE (V)	FREQUENCY (Hz)	RATED CURRENT (A)	INPUT POWER (W)	SPEED (RPM)	MAX. AIR PRESSURE		MAX. AIR FLOW		NOISE dB(A) @1M
						inch/H <sub>2</sub> O	mm/H <sub>2</sub> O	CFM	m <sup>3</sup> /min	
A12038V24H-S	24	50/60	0.99/0.86	16.5/14.7	2600/2800	0.11/0.13	2.8/3.5	24/28	0.7/0.8	30
A12038V1H-S	115	50/60	0.27/0.24	21.4/18.7	2650/3000	0.23/0.28	5.8/7.0	88/107	2.5/3.1	42
A12038V1M-S	115	50/60	0.16/0.15	13.0/12.5	2500/2400	0.19/0.21	4.9/5.4	63/71	1.8/2.0	35
A12038V1L-S	115	50/60	0.12/0.11	10.5/10.0	2100/1800	0.11/0.05	2.9/1.5	53/50	1.5/1.4	26
A12038V2H-S	230	50/60	0.13/0.12	21.4/18.7	2650/3000	0.23/0.28	5.8/7.0	88/107	2.5/3.1	42
A12038V2M-S	230	50/60	0.08/0.07	13.0/12.5	2500/2400	0.19/0.21	4.9/5.4	63/71	1.8/2.0	35
A12038V2L-S	230	50/60	0.05/0.04	10.5/10.0	2100/1800	0.11/0.05	2.9/1.5	53/50	1.5/1.4	26

### AIR PERFORMANCE



# A

# 12038M

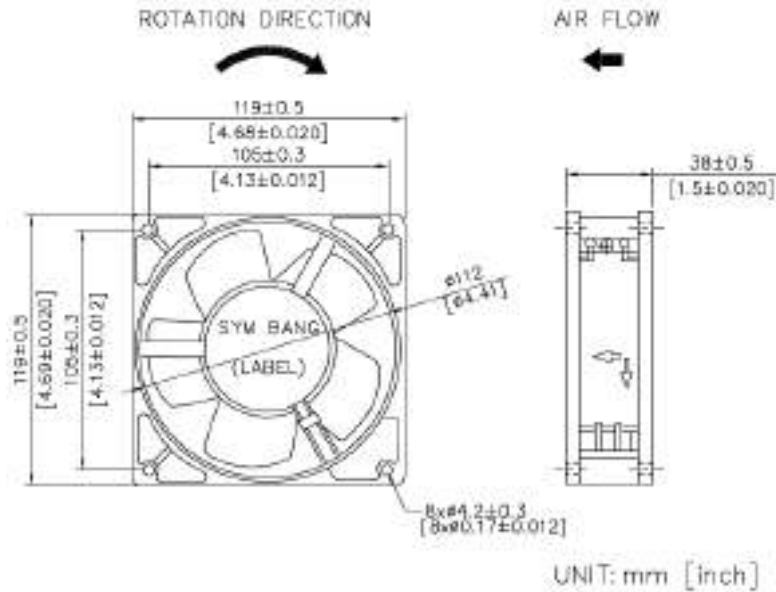
## 120X120X38mm (4.7"X4.7"x1.5")



HOUSING Aluminum Die Casting, Painted Black  
 IMPELLER Metal  
 BEARING Ball or Sleeve  
 OPERATING TEMPERATURE -10°C to + 70°C  
 INSULATION Class A  
 OPERATING VOLTAGE RANGE 85 VAC to 125 VAC for 115V Type  
 185 VAC to 245 VAC for 230V Type  
 DIELECTRIC STRENGTH 5mA Max. at 1500 VAC for 1 second  
 INSULATION RESISTANCE 10M  $\Omega$  min. @500 VDC  
 MOTOR TYPE Outer Rotor, Shaded Pole Motor  
 SAFETY Impedance Protected  
 TERMINATION Terminals or Lead Wire  
 WEIGHT 600 g  
 ROHS COMPLIANCE Yes  
 IP LEVEL IP21 (Special IP Rating On Request)

# 120 mm

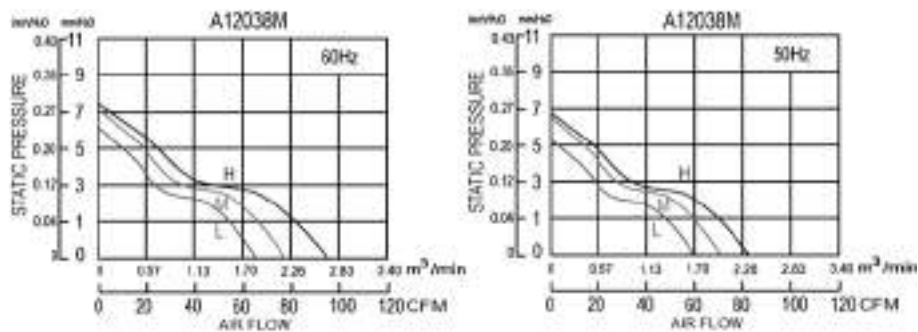
### DIMENSION



### SPECIFICATION

MODEL NO.	RATED VOLTAGE (V)	FREQUENCY (Hz)	RATED CURRENT (A)	INPUT POWER (W)	SPEED (RPM)	MAX. AIR PRESSURE		MAX. AIR FLOW		NOISE dB(A) @1M
						inch/H <sub>2</sub> O	mm/H <sub>2</sub> O	CFM	m <sup>3</sup> /min	
A12038V1HM	115	50/60	0.25/0.24	24/22	2650/3000	0.26/0.29	6.70/7.40	82.4/95.6	2.33/2.71	41/45
A12038V1MM	115	50/60	0.24/0.23	23/21	2250/2500	0.26/0.29	6.54/7.26	70.0/78.0	1.98/2.21	38/42
A12038V1LM	115	50/60	0.23/0.22	22/20	1800/2100	0.17/0.20	5.23/6.10	60.0/65.0	1.70/1.84	36/38
A12038V2HM	230	50/60	0.14/0.13	22/21	2650/3000	0.26/0.29	6.70/7.40	82.4/95.6	2.33/2.71	41/45
A12038V2MM	230	50/60	0.13/0.12	21/20	2250/2500	0.26/0.29	6.54/7.26	70.0/78.0	1.98/2.21	38/42
A12038V2LM	230	50/60	0.13/0.12	20/19	1800/2100	0.17/0.20	5.23/6.10	60.0/65.0	1.70/1.84	36/38

### AIR PERFORMANCE



AC Fans & Blowers



# A

# 12038S

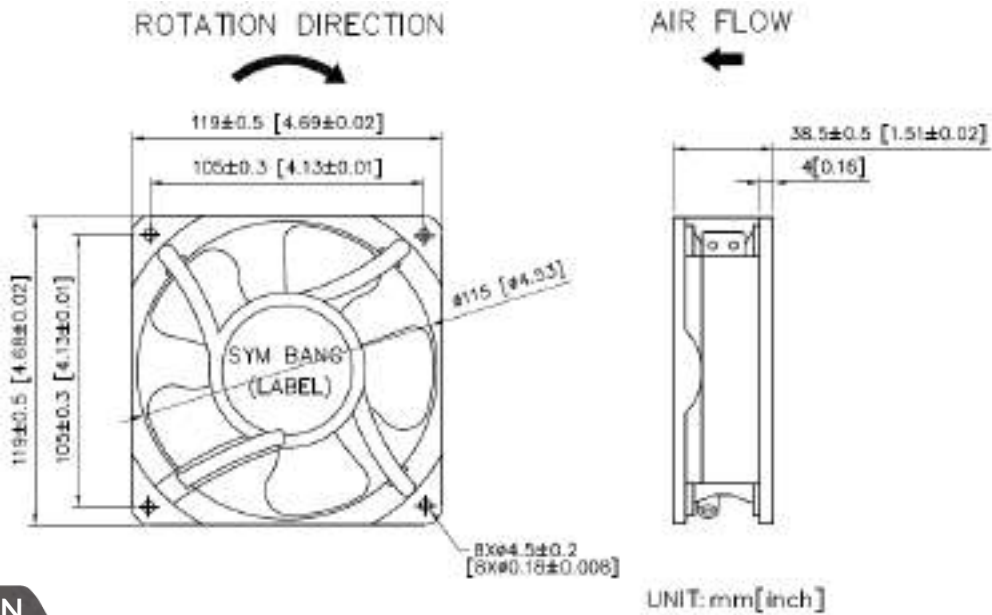
120X120X38mm (4.7"X4.7"x1.5")



HOUSING Aluminum Die Casting, Painted Black  
 IMPELLER Thermoplastic PBT, UL94V-0  
 BEARING Ball or Sleeve  
 OPERATING TEMPERATURE -10°C to + 70°C  
 INSULATION Class A  
 OPERATING VOLTAGE RANGE 85 VAC to 125 VAC for 115V Type  
 185 VAC to 245 VAC for 230V Type  
 DIELECTRIC STRENGTH 5mA Max. at 1500 VAC for 1 second  
 INSULATION RESISTANCE 10M Ω min. @500 VDC  
 MOTOR TYPE Shaded Pole Motor  
 SAFETY Impedance Protected  
 TERMINATION Terminals or Lead Wire  
 WEIGHT 515 g  
 ROHS COMPLIANCE Yes  
 IP LEVEL IP21 (Special IP Rating On Request)

# 120 mm

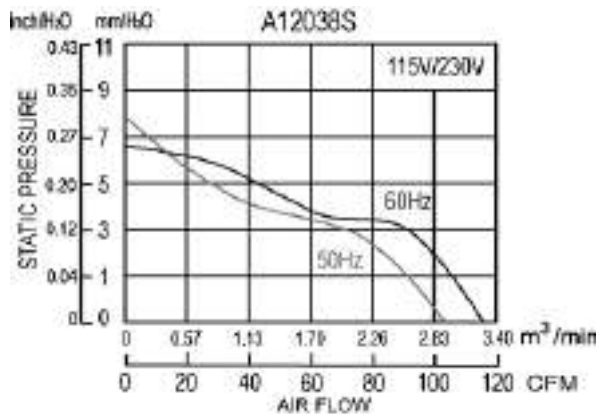
## DIMENSION



## SPECIFICATION

MODEL NO.	RATED VOLTAGE (V)	FREQUENCY (Hz)	RATED CURRENT (A)	INPUT POWER (W)	SPEED (RPM)	MAX. AIR PRESSURE inch/H <sub>2</sub> O    mm/H <sub>2</sub> O	MAX. AIR FLOW CFM            m <sup>3</sup> /min	NOISE dB(A) @1M
A12038V1S	115	50/60	0.22/0.18	16/14	2700/3200	0.31/0.26    7.87/6.6	103/117    2.9/3.3	43/47
A12038V2S	230	50/60	0.11/0.09	16/14	2700/3200	0.31/0.26    7.87/6.6	103/117    2.9/3.3	43/47

## AIR PERFORMANCE



# A

# 12738

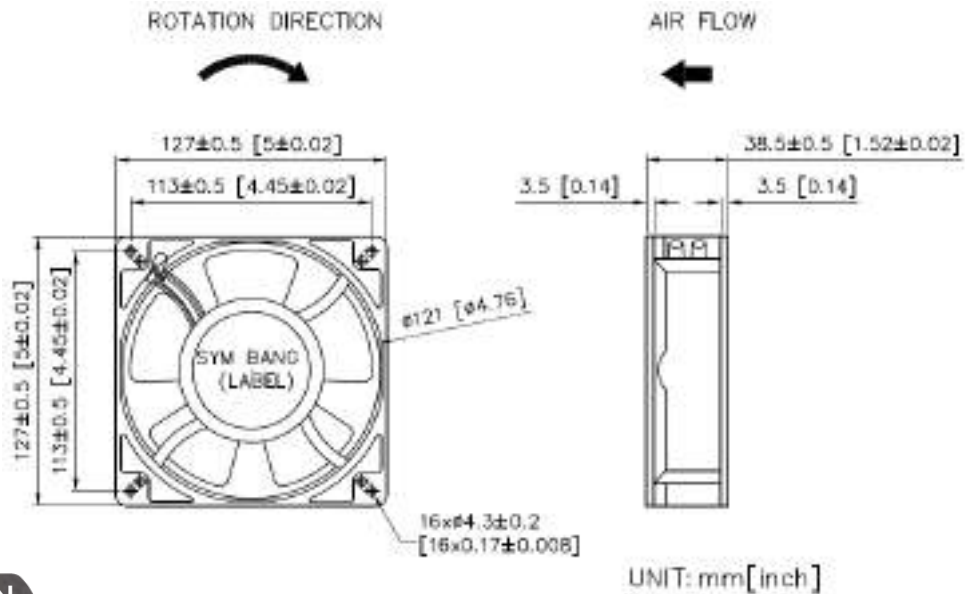
127X127X38mm (5"X5"x1.5")



HOUSING	Aluminum Die Casting, Painted Black
IMPELLER	Thermoplastic PBT, UL94V-0
BEARING	Ball or Sleeve
OPERATING TEMPERATURE	-10°C to + 70°C
INSULATION	Class A
OPERATING VOLTAGE RANGE	100 VAC to 120 VAC for 115V Type 200 VAC to 240 VAC for 230V Type
DIELECTRIC STRENGTH	5mA Max. at 1500 VAC for 1 second
INSULATION RESISTANCE	10M $\Omega$ min. @500 VDC
MOTOR TYPE	Shaded Pole Motor
SAFETY	Impedance Protected
TERMINATION	Terminals or Lead Wire
WEIGHT	590 g
ROHS COMPLIANCE	Yes
IP LEVEL	IP21 (Special IP Rating On Request)

# 127 mm

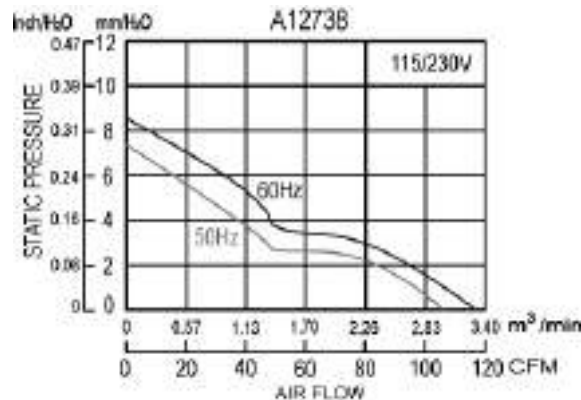
## DIMENSION



## SPECIFICATION

MODEL NO.	RATED VOLTAGE (V)	FREQUENCY (Hz)	RATED CURRENT (A)	INPUT POWER (W)	SPEED (RPM)	MAX. AIR PRESSURE		MAX. AIR FLOW		NOISE dB(A) @1M
						inch/H <sub>2</sub> O	mm/H <sub>2</sub> O	CFM	m <sup>3</sup> /min	
A12738V1H	115	50/60	0.35/0.29	25.2/21.4	2700/3000	0.29/0.34	7.4/8.5	104/116	3.0/3.3	50/53
A12738V2H	230	50/60	0.20/0.16	27.8/22.6	2700/3000	0.29/0.34	7.4/8.5	104/116	3.0/3.3	50/53

## AIR PERFORMANCE



# A

# 12738M-B

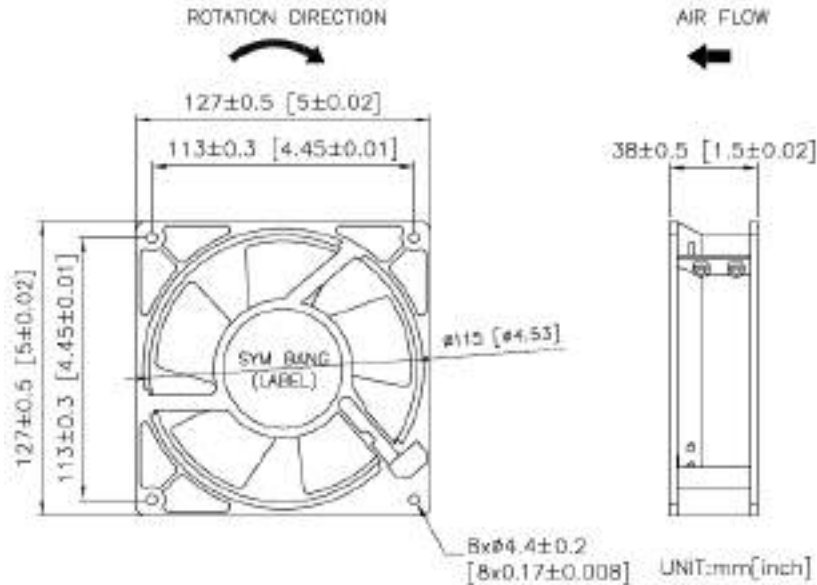
127X127X38mm (5"X5"x1.5")



HOUSING Aluminum Die Casting, Painted Black  
 IMPELLER Iron Leaf  
 BEARING Ball  
 OPERATING TEMPERATURE -10°C to + 105°C  
 INSULATION Class A  
 OPERATING VOLTAGE RANGE 100 VAC to 125 VAC for 110V Type  
 200 VAC to 240 VAC for 220V Type  
 DIELECTRIC STRENGTH 5mA Max. at 1500 VAC for 1 second  
 INSULATION RESISTANCE 10M Ω min. @500 VDC  
 MOTOR TYPE Outer Rotor, Shaded Pole Motor  
 SAFETY Impedance Protected  
 TERMINATION Terminals or Lead Wire  
 WEIGHT 650 g  
 ROHS COMPLIANCE Yes  
 IP LEVEL IP21 (Special IP Rating On Request)

# 127 mm

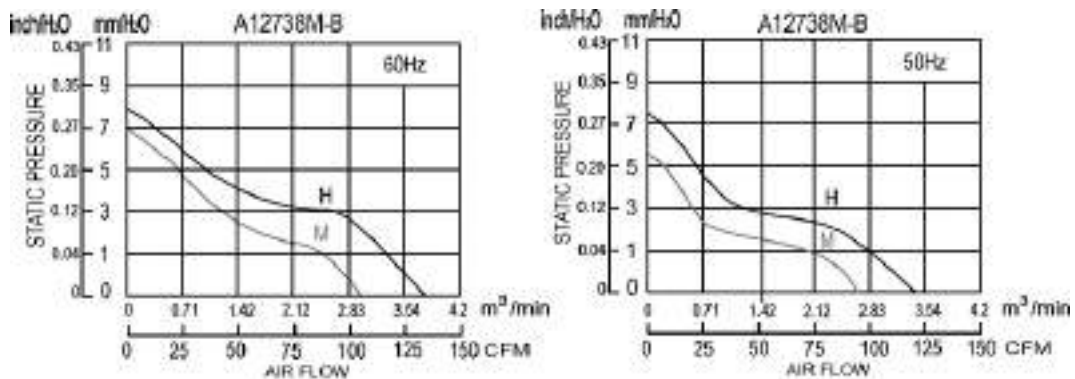
## DIMENSION



## SPECIFICATION

MODEL NO.	RATED VOLTAGE (V)	FREQUENCY (Hz)	RATED CURRENT (A)	INPUT POWER (W)	SPEED (RPM)	MAX. AIR PRESSURE		MAX. AIR FLOW		NOISE dB(A) @1M
						inch/H <sub>2</sub> O	mm/H <sub>2</sub> O	CFM	m <sup>3</sup> /min	
A12738V1HM-B	110	50/60	0.28	27	2600/3000	0.28/0.32	7.2/8.1	120/134	3.4/3.8	50/55
A12738V1MM-B	110	50/60	0.26	25	2000/2200	0.22/0.28	5.5/7.0	94/105	2.7/2.9	41/45
A12738V2HM-B	220	50/60	0.16	25	2600/3000	0.28/0.32	7.2/8.1	120/134	3.4/3.8	50/55
A12738V2MM-B	220	50/60	0.15	23	2000/2200	0.22/0.28	5.2/7.0	94/105	2.7/2.9	41/45

## AIR PERFORMANCE

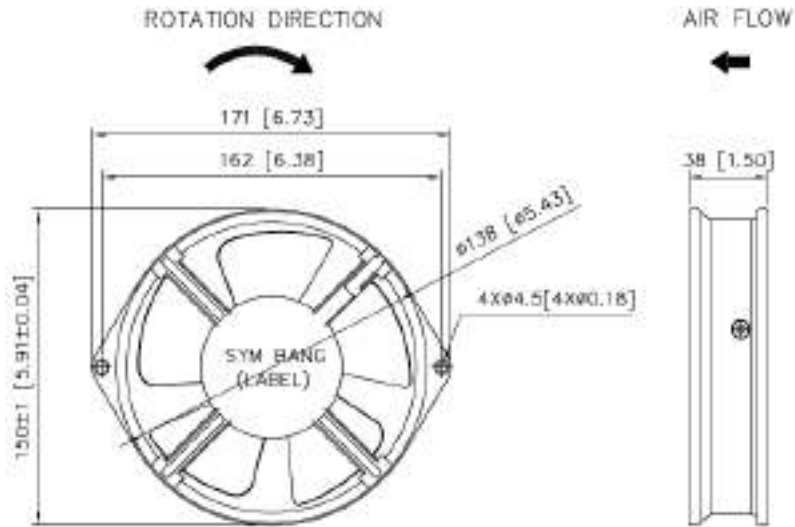


**A****15038-C**

150X172X38mm (5.69"x6.77"x1.5")

**CE**

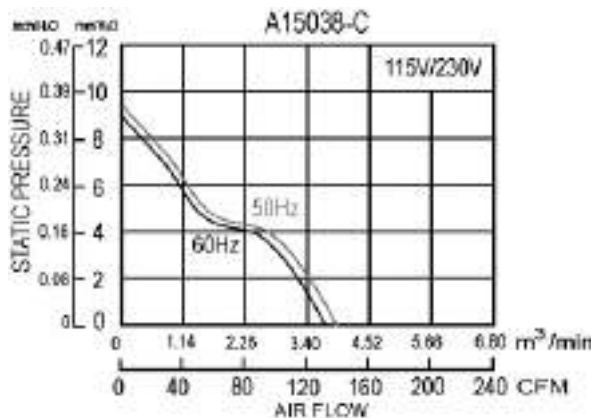
HOUSING Aluminum Die Casting, Painted Black  
 IMPELLER Thermoplastic PBT, UL94V-0  
 BEARING Ball  
 OPERATING TEMPERATURE 0°C to + 70°C  
 INSULATION Class A  
 OPERATING VOLTAGE RANGE 100 VAC to 120 VAC for 115V Type  
 200 VAC to 240 VAC for 230V Type  
 DIELECTRIC STRENGTH 5mA Max. at 1500 VAC for 1 second  
 INSULATION RESISTANCE 10M  $\Omega$  min. @500 VDC  
 MOTOR TYPE Shaded Pole Motor  
 SAFETY Impedance Protected  
 TERMINATION Lead Wire  
 WEIGHT 625 g  
 ROHS COMPLIANCE Yes  
 IP LEVEL IP21 (Special IP Rating On Request)

**150** mm**DIMENSION**

UNIT: mm [inch]

**SPECIFICATION**

MODEL NO.	RATED VOLTAGE (V)	FREQUENCY (Hz)	RATED CURRENT (A)	INPUT POWER (W)	SPEED (RPM)	MAX. AIR PRESSURE		MAX. AIR FLOW		NOISE dB(A) @1M
						inch/H <sub>2</sub> O	mm/H <sub>2</sub> O	CFM	m <sup>3</sup> /min	
A15038V1HBL-C	115	50/60	0.30/0.27	22/20	2300/2000	0.38/0.36	9.65/9.14	140/130	4.0/3.7	31/30
A15038V2HBL-C	230	50/60	0.18/0.16	27/24	2300/2000	0.38/0.36	9.65/9.14	140/130	4.0/3.7	31/30

**AIR PERFORMANCE**

# A

# 15055

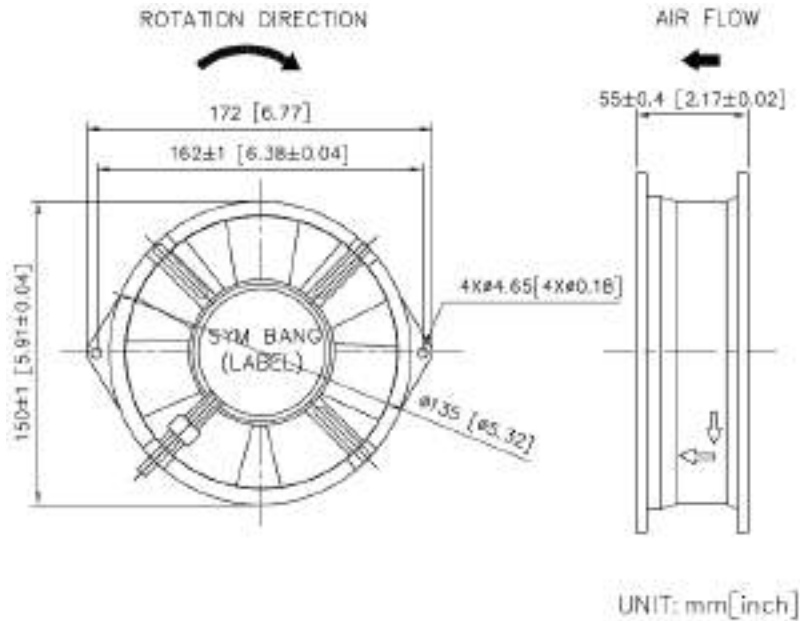
150X172X55mm(5.9"x6.77"x2.17")



HOUSING Aluminum Die Casting, Painted Black  
 IMPELLER Thermoplastic PBT, UL94V-0  
 BEARING Ball  
 OPERATING TEMPERATURE -10°C to + 70°C  
 INSULATION Class A  
 OPERATING VOLTAGE RANGE 85 VAC to 125 VAC for 115V Type  
 185 VAC to 245 VAC for 230V Type  
 DIELECTRIC STRENGTH 5mA Max. at 1500 VAC for 1 second  
 INSULATION RESISTANCE 10M Ω min. @500 VDC  
 MOTOR TYPE AC Induction Capacitor Motor  
 SAFETY Thermally Protected  
 TERMINATION Lead wire  
 WEIGHT 1 Kg  
 ROHS COMPLIANCE Yes  
 IP LEVEL IP21 (Special IP Rating On Request)

# 150 mm

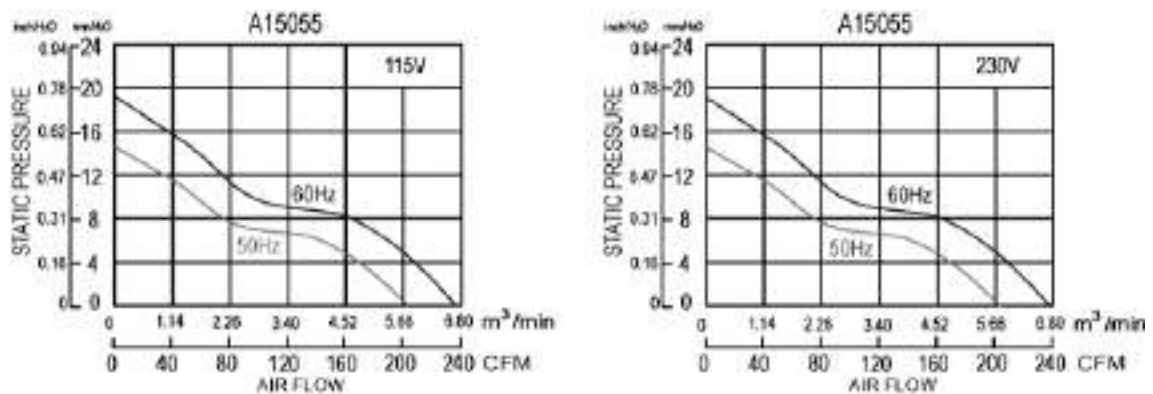
## DIMENSION



## SPECIFICATION

MODEL NO.	RATED VOLTAGE (V)	FREQUENCY (Hz)	RATED CURRENT (A)	INPUT POWER (W)	SPEED (RPM)	MAX. AIR PRESSURE		MAX. AIR FLOW		NOISE dB(A) @1M
						inch/H <sub>2</sub> O	mm/H <sub>2</sub> O	CFM	m <sup>3</sup> /min	
A15055V1H	115	50/60	0.34/0.38	38/44	2900/3300	0.58/0.74	14.7/18.8	204/235	5.80/6.70	57/61
A15055V2H	230	50/60	0.17/0.19	37/43	2900/3300	0.58/0.74	14.7/18.8	202/239	5.70/6.80	57/61

## AIR PERFORMANCE





**A**

# 15055-DA

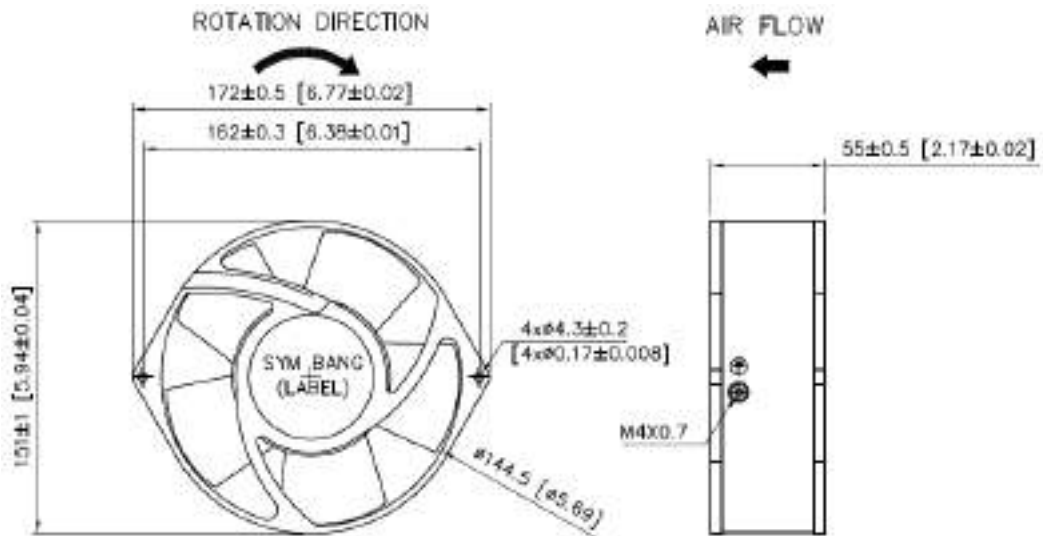
150X172X55mm(5.9"x6.77"x2.17")



HOUSING Aluminum Die Casting, Painted Black  
 IMPELLER Thermoplastic PBT, UL94V-0  
 BEARING Ball  
 OPERATING TEMPERATURE -20°C to + 70°C  
 INSULATION Class A  
 OPERATING VOLTAGE RANGE 104 VAC to 126 VAC for 115V Type  
 207 VAC to 253 VAC for 230V Type  
 DIELECTRIC STRENGTH 5mA Max. at 1800 VAC for 1 second  
 INSULATION RESISTANCE 10M Ω min. @500 VDC  
 MOTOR TYPE Outer Rotor, AC Induction Capacitor  
 SAFETY Thermally Protected  
 TERMINATION Terminal or Lead Wire  
 WEIGHT 820 g  
 ROHS COMPLIANCE Yes  
 IP LEVEL IP54 (Special IP Rating On Request)

# 150 mm

## DIMENSION

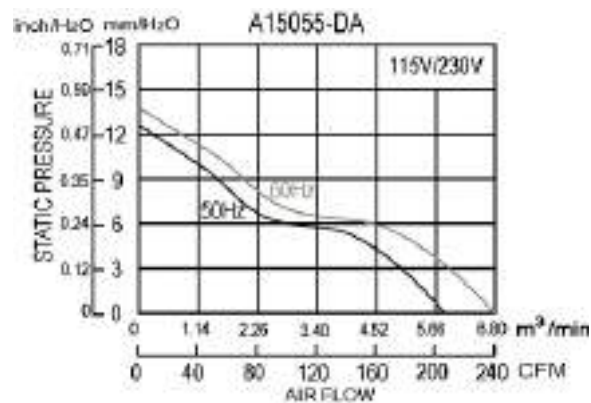


UNIT: mm[inch]

## SPECIFICATION

MODEL NO.	RATED VOLTAGE (V)	FREQUENCY (Hz)	RATED CURRENT (A)	INPUT POWER (W)	SPEED (RPM)	MAX. AIR PRESSURE		MAX. AIR FLOW		NOISE dB(A) @1M
						inch/H <sub>2</sub> O	mm/H <sub>2</sub> O	CFM	m <sup>3</sup> /min	
A15055V1HB-DA	115	50/60	0.25/0.21	27/25	2700/3100	0.49/0.53	12.5/13.5	210/240	5.94/6.79	57/61
A15055V2HB-DA	230	50/60	0.11/0.12	26/27	2700/3100	0.49/0.53	12.5/13.5	210/240	5.94/6.79	57/61

## AIR PERFORMANCE





# A

# 15055-S

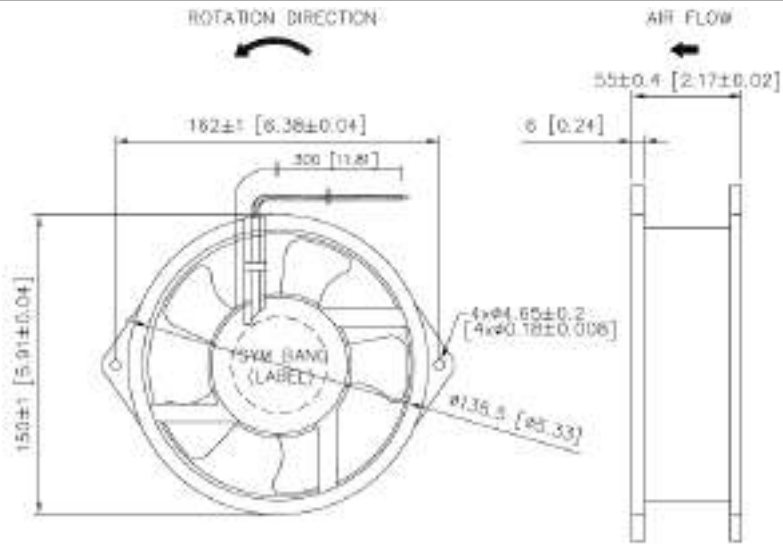
# 150X172X55mm(5.9"x6.77"x2.17")



HOUSING Aluminum Die Casting, Painted Black  
 IMPELLER Thermoplastic PBT, UL94V-0  
 BEARING Ball  
 OPERATING TEMPERATURE -10°C to + 70°C  
 INSULATION Class A  
 OPERATING VOLTAGE RANGE 100 VAC to 120 VAC for 115V Type  
 200 VAC to 240 VAC for 230V Type  
 DIELECTRIC STRENGTH 5mA Max. at 1500 VAC for 1 second  
 INSULATION RESISTANCE 10M  $\Omega$  min. @500 VDC  
 MOTOR TYPE Shaded Pole Motor  
 SAFETY Thermally Protected  
 TERMINATION Lead Wire  
 WEIGHT 1 kg  
 ROHS COMPLIANCE Yes  
 IP LEVEL IP21 (Special IP Rating On Request)

# 150 mm

## DIMENSION

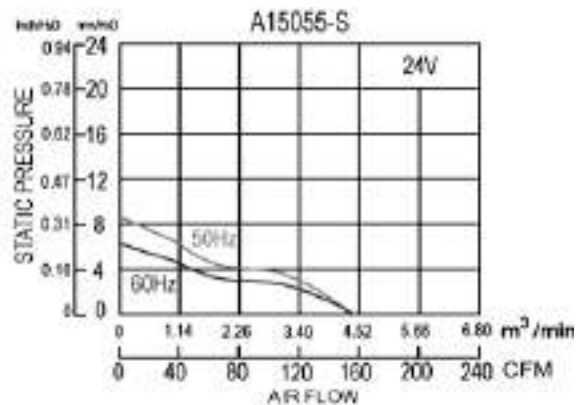
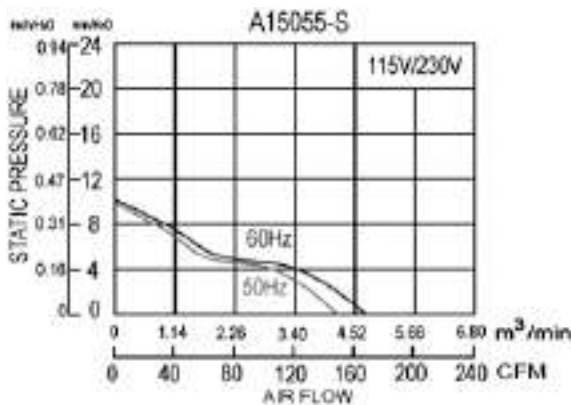


UNIT: mm[inch]

## SPECIFICATION

MODEL NO.	RATED VOLTAGE (V)	FREQUENCY (Hz)	RATED CURRENT (A)	INPUT POWER (W)	SPEED (RPM)	MAX. AIR PRESSURE		MAX. AIR FLOW		NOISE dB(A) @1M
						inch/H <sub>2</sub> O	mm/H <sub>2</sub> O	CFM	m <sup>3</sup> /min	
A15055V24H-S	24	50/60	1.95/1.80	34/32	2530/2670	0.35/0.25	8.8/6.4	155/156	4.39/4.42	50
A15055V115H-S	115	50/60	0.73/0.64	67/55	2600/2800	0.38/0.42	9.7/10.5	151/166	4.30/4.70	50
A15055V230H-S	230	50/60	0.30/0.26	55/45	2600/2800	0.38/0.42	9.7/10.5	151/166	4.30/4.70	50

## AIR PERFORMANCE



# A

# 15055DVM-DA



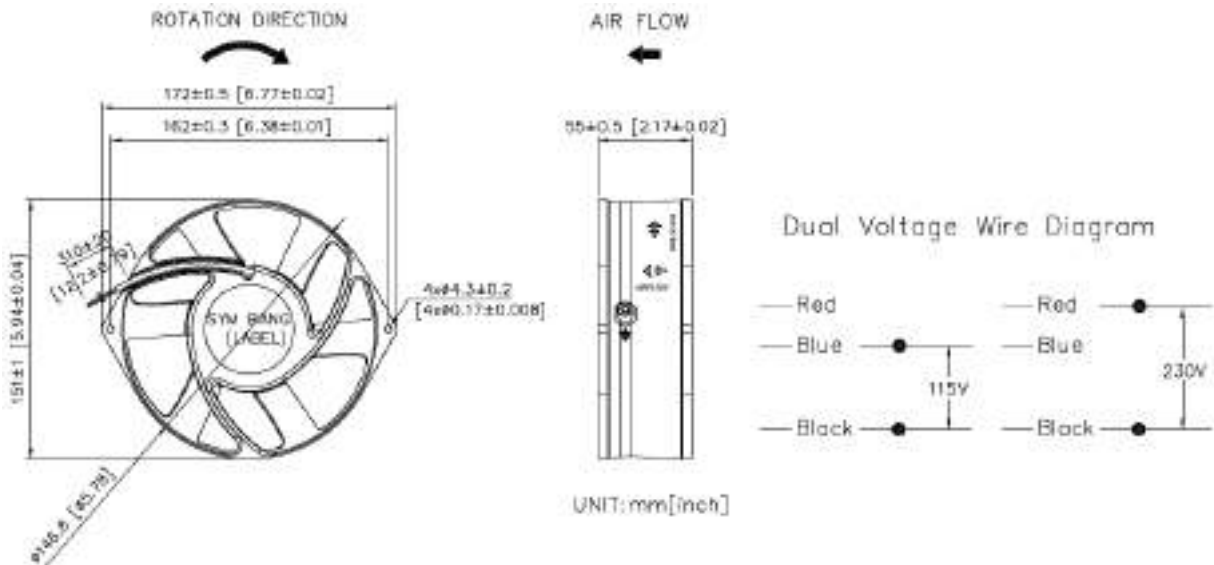
150X172X55mm  
(5.9"x6.77"x2.17")



HOUSING	Aluminum Die Casting, Painted Black
IMPELLER	Metal
BEARING	Ball
OPERATING TEMPERATURE	-10°C to + 70°C
INSULATION	Class A
OPERATING VOLTAGE RANGE	85 VAC to 125 VAC for 115V Type 185 VAC to 245 VAC for 230V Type
DIELECTRIC STRENGTH	5mA Max. at 1500 VAC for 1 second
INSULATION RESISTANCE	10M $\Omega$ min. @500 VDC
MOTOR TYPE	Outer Rotor, AC Induction Capacitor Motor
SAFETY	Thermally Protected
TERMINATION	Lead Wire
WEIGHT	840 g
ROHS COMPLIANCE	Yes
DUAL VOLTAGE	115/230 VAC
IP LEVEL	IP54 (Special IP Rating On Request)

# 150 mm

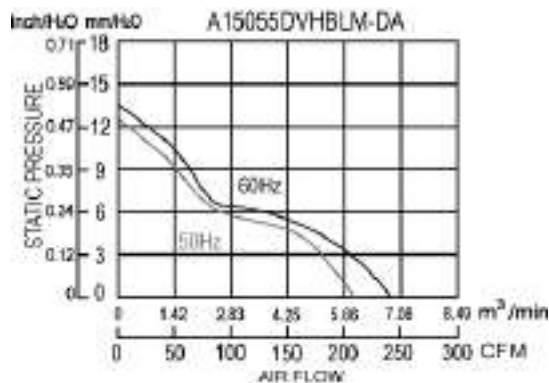
## DIMENSION



## SPECIFICATION

MODEL NO.	RATED VOLTAGE (V)		FREQUENCY (Hz)		RATED CURRENT (A)		INPUT POWER (W)		SPEED (RPM)		MAX. AIR PRESSURE		MAX. AIR FLOW		NOISE dB(A) @1M
	115	230	50/60	50/60	0.23/0.25	0.14/0.13	27/28	27/28	2750/3150	2800/3250	inch/H2O	mm/H2O	CFM	m3/min	
A15055DVHBLM-DA	115	230	50/60	50/60	0.23/0.25	0.14/0.13	27/28	27/28	2750/3150	2800/3250	0.49/0.53	12.5/13.5	210/240	5.9/6.7	57/61

## AIR PERFORMANCE



# A

# 15055M

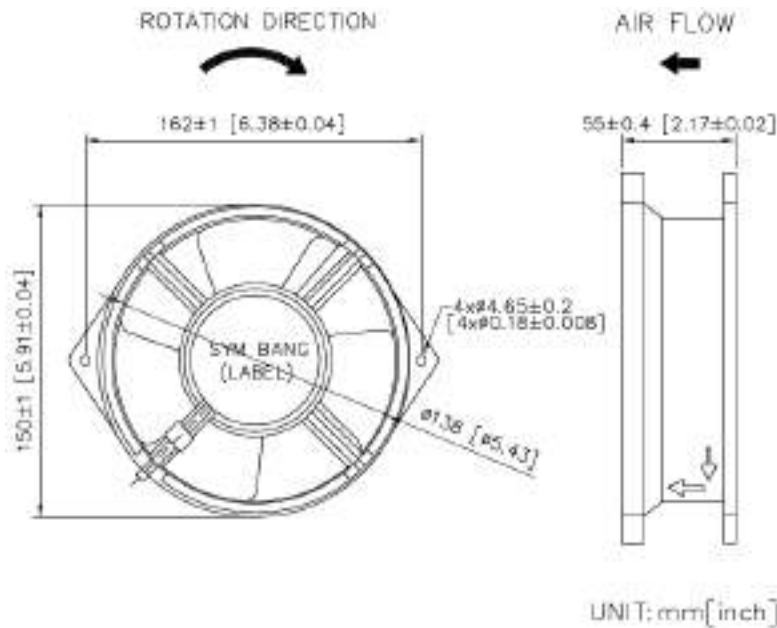
150X172X55mm(5.9"x6.77"x2.17")



HOUSING Aluminum Die Casting, Painted Black  
 IMPELLER Metal  
 BEARING Ball  
 OPERATING TEMPERATURE -10°C to + 70°C  
 INSULATION Class A  
 OPERATING VOLTAGE RANGE 85 VAC to 125 VAC for 115V Type  
 185 VAC to 245 VAC for 230V Type  
 DIELECTRIC STRENGTH 5mA Max. at 1500 VAC for 1 second  
 INSULATION RESISTANCE 10M Ω min. @500 VDC  
 MOTOR TYPE Outer Rotor, Shaded Pole Motor  
 SAFETY Impedance Protected  
 TERMINATION Lead Wire  
 WEIGHT 1 kg  
 ROHS COMPLIANCE Yes  
 IP LEVEL IP21 (Special IP Rating On Request)

# 150 mm

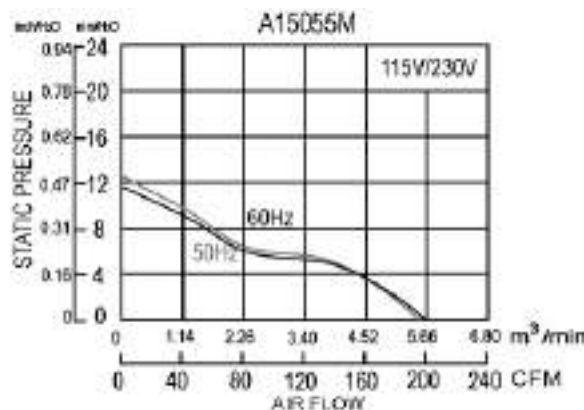
## DIMENSION



## SPECIFICATION

MODEL NO.	RATED VOLTAGE (V)	FREQUENCY (Hz)	RATED CURRENT (A)	INPUT POWER (W)	SPEED (RPM)	MAX. AIR PRESSURE		MAX. AIR FLOW		NOISE dB(A) @1M
						inch/H2O	mm/H2O	CFM	m3/min	
A15055V1HBLM	115	50/60	0.64/0.54	48/46	2750/3100	0.48/0.46	12.30/11.88	195/200	5.53/5.67	50/53
A15055V2HBLM	230	50/60	0.30/0.28	46/44	2750/3100	0.48/0.46	12.30/11.88	195/200	5.53/5.67	50/53

## AIR PERFORMANCE



**A**

# 15055M-DA

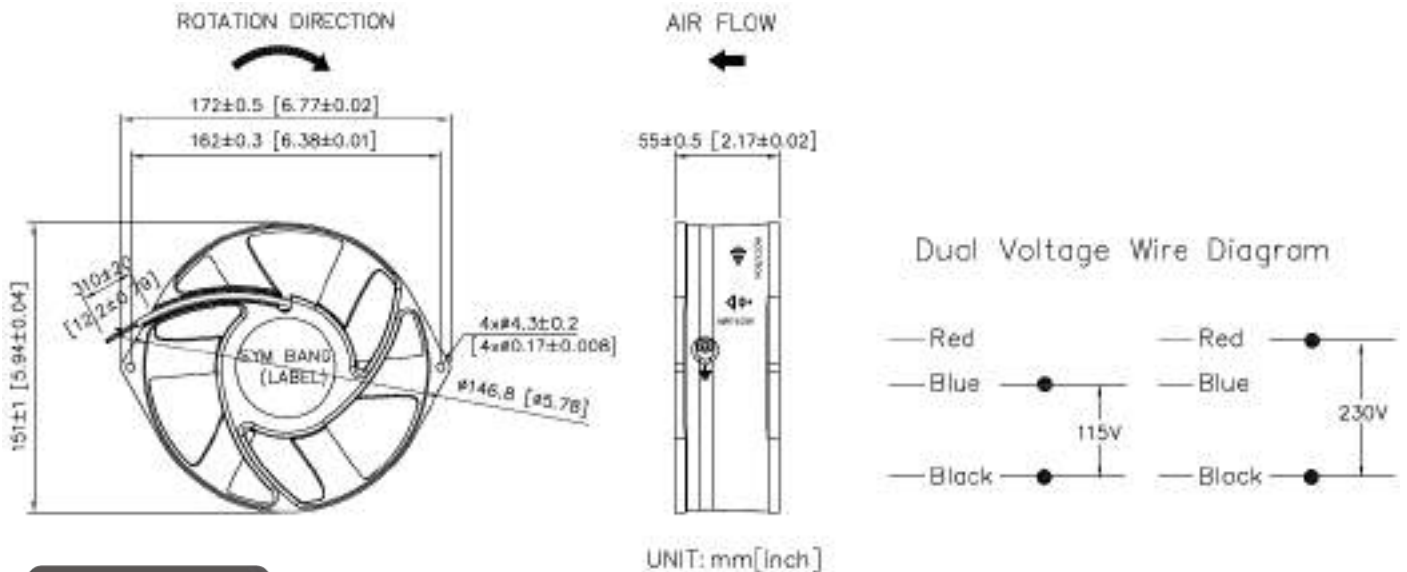
150X172X55mm  
(5.9"x6.77"x2.17")




HOUSING	Aluminum Die Casting, Painted Black
IMPELLER	Steel, Painted Black
BEARING	Ball
OPERATING TEMPERATURE	-20°C to + 70°C
INSULATION	Class B
OPERATING VOLTAGE RANGE	85 VAC to 125 VAC for 115V Type 185 VAC to 245 VAC for 230V Type
DIELECTRIC STRENGTH	5mA Max. at 1500 VAC for 1 second
INSULATION RESISTANCE	10M $\Omega$ min. @500 VDC
MOTOR TYPE	Outer Rotor, AC Induction Capacitor Motor
SAFETY	Thermally Protected
TERMINATION	Terminals or Lead Wire
WEIGHT	840 g
ROHS COMPLIANCE	Yes
IP LEVEL	IP54 (Special IP Rating On Request)

# 150 mm

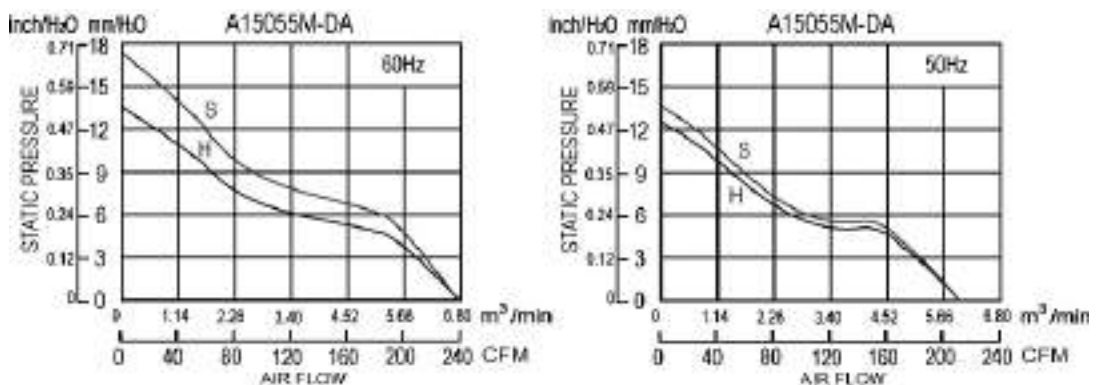
## DIMENSION



## SPECIFICATION

MODEL NO.	RATED VOLTAGE (V)	FREQUENCY (Hz)	RATED CURRENT (A)	INPUT POWER (W)	SPEED (RPM)	MAX. AIR PRESSURE		MAX. AIR FLOW		NOISE dB(A) @1M
						inch/H <sub>2</sub> O	mm/H <sub>2</sub> O	CFM	m <sup>3</sup> /min	
A15055V1SBM-DA	115	50/60	0.27/0.23	26/26	2800/3300	0.53/0.69	13.5/17.5	210/240	5.94/6.79	55/61
A15055V2SBM-DA	230	50/60	0.10/0.11	23/26	2800/3300	0.53/0.69	13.5/17.5	210/240	5.94/6.79	55/61
A15055V1HBM-DA	115	50/60	0.25/0.21	27/25	2700/3100	0.49/0.53	12.5/13.5	210/240	5.94/6.79	53/59
A15055V2HBM-DA	230	50/60	0.11/0.12	26/27	2700/3100	0.49/0.53	12.5/13.5	210/240	5.94/6.79	53/59

## AIR PERFORMANCE



AC Fans &amp; Blowers

# A

# 15055M-F

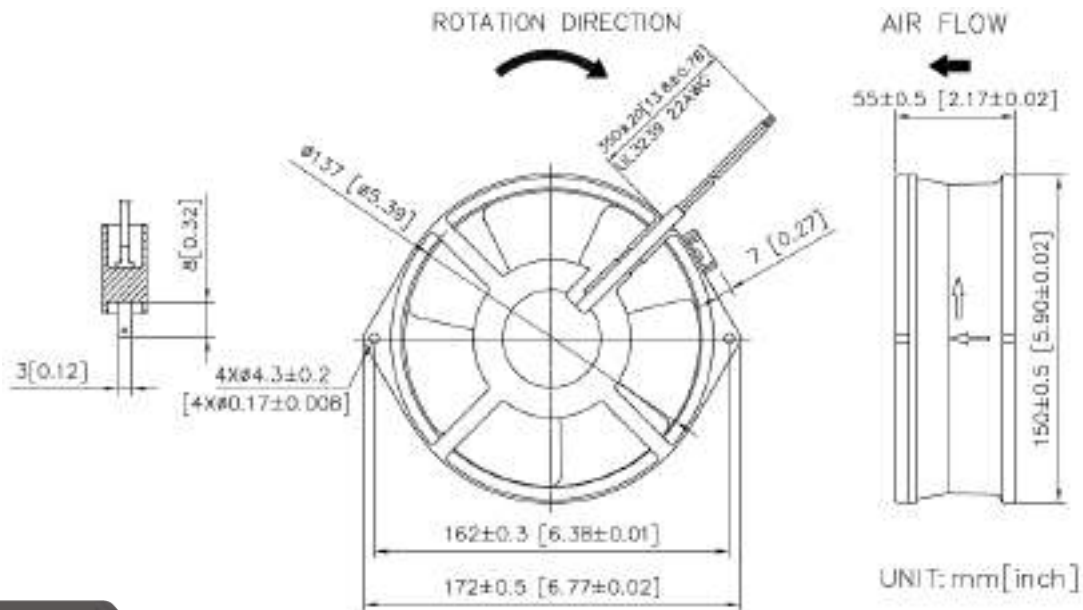
150X172X55mm(5.9"x6.77"x2.17")



HOUSING Aluminum Die Casting, Painted Black  
 IMPELLER Metal  
 BEARING Ball  
 OPERATING TEMPERATURE -10°C to + 70°C  
 INSULATION Class F  
 OPERATING VOLTAGE RANGE 85 VAC to 125 VAC for 115V Type  
 185 VAC to 245 VAC for 230V Type  
 DIELECTRIC STRENGTH 5mA Max. at 1500 VAC for 1 second  
 INSULATION RESISTANCE 10M Ω min. @500 VDC  
 MOTOR TYPE Outer Rotor, Shaded Pole Motor  
 SAFETY Thermally Protected  
 TERMINATION Terminals or Lead Wire  
 WEIGHT 1.1 kg  
 ROHS COMPLIANCE Yes  
 IP LEVEL IP21 (Special IP Rating On Request)

# 150 mm

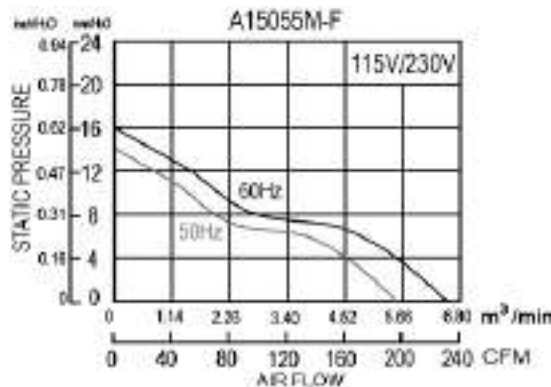
## DIMENSION



## SPECIFICATION

MODEL NO.	RATED VOLTAGE (V)	FREQUENCY (Hz)	RATED CURRENT (A)	INPUT POWER (W)	SPEED (RPM)	MAX. AIR PRESSURE		MAX. AIR FLOW		NOISE dB(A) @1M
						inch/H <sub>2</sub> O	mm/H <sub>2</sub> O	CFM	m <sup>3</sup> /min	
A15055V1HBM-F	115	50/60	0.52/0.47	42/42	2800/3250	0.55/0.63	14/16	195/230	5.5/6.5	49/53
A15055V2HBM-F	230	50/60	0.25/0.23	42/42	2800/3250	0.55/0.63	14/16	195/230	5.5/6.5	49/53

## AIR PERFORMANCE





# A

# 16062

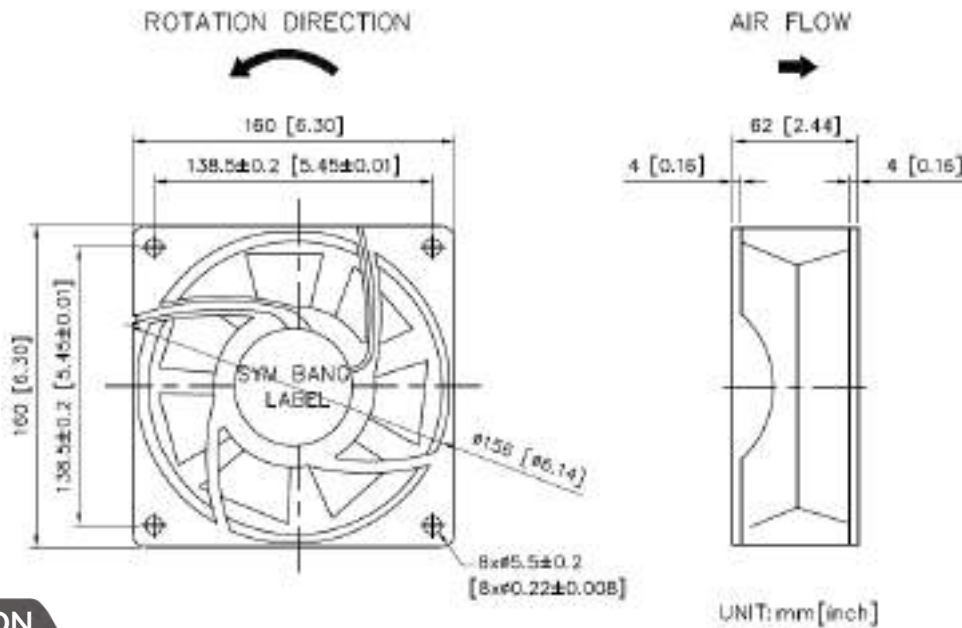
160X160X62mm(6.30"x6.30"x2.44")



HOUSING Aluminum Die Casting, Painted Black  
 IMPELLER Thermoplastic PBT, UL94V-0  
 BEARING Ball  
 OPERATING TEMPERATURE -10°C to + 70°C  
 INSULATION Class A  
 OPERATING VOLTAGE RANGE 85 VAC to 125 VAC for 115V Type  
 185 VAC to 245 VAC for 230V Type  
 DIELECTRIC STRENGTH 5mA Max. at 1500 VAC for 1 second  
 INSULATION RESISTANCE 10M  $\Omega$  min. @500 VDC  
 MOTOR TYPE AC Induction Capacitor Motor  
 SAFETY Thermally Protected  
 TERMINATION Terminals or Lead Wire  
 WEIGHT 1.4 kg  
 ROHS COMPLIANCE Yes  
 IP LEVEL IP21 (Special IP Rating On Request)

# 160 mm

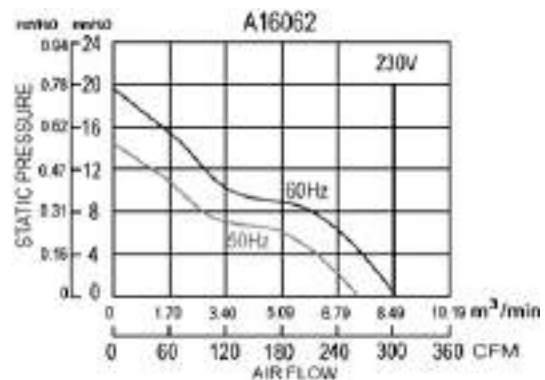
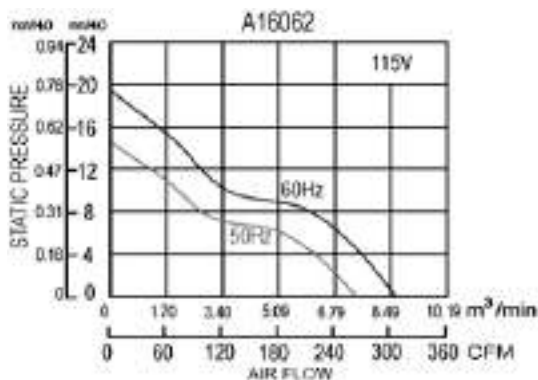
## DIMENSION



## SPECIFICATION

MODEL NO.	RATED VOLTAGE (V)	FREQUENCY (Hz)	RATED CURRENT (A)	INPUT POWER (W)	SPEED (RPM)	MAX. AIR PRESSURE		MAX. AIR FLOW		NOISE dB(A) @1M
						inch/H <sub>2</sub> O	mm/H <sub>2</sub> O	CFM	m <sup>3</sup> /min	
A16062V1H	115	50/60	0.45/0.50	52/60	2900/3400	0.58/0.76	14.7/19.3	261/307	7.4/8.7	60/64
A16062V2H	230	50/60	0.23/0.25	51/57	2900/3400	0.58/0.76	14.7/19.3	261/305	7.4/8.6	60/64

## AIR PERFORMANCE



AC Fans & Blowers



# A

# 16062-S

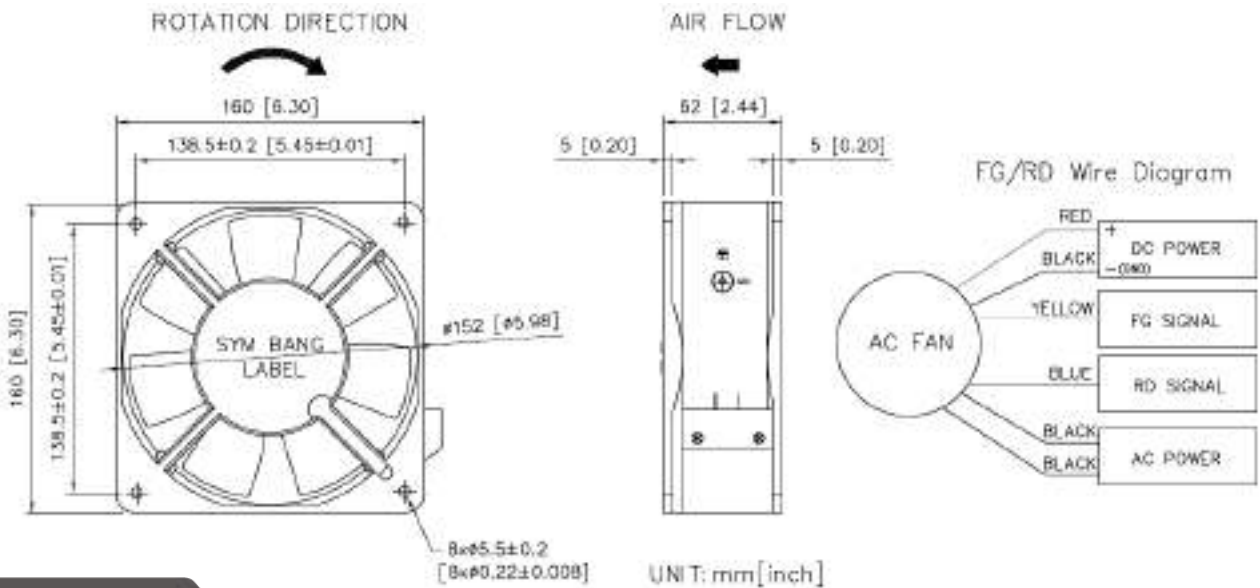
# 160X160X62mm(6.30"x6.30"x2.44")



HOUSING Aluminum Die Casting, Painted Black  
 IMPELLER Thermoplastic PBT, UL94V-0  
 BEARING Ball  
 OPERATING TEMPERATURE -10°C to + 70°C  
 INSULATION Class A  
 OPERATING VOLTAGE RANGE 100 VAC to 120 VAC for 115V Type  
 200 VAC to 240 VAC for 230V Type  
 DIELECTRIC STRENGTH 5mA Max. at 1500 VAC for 1 second  
 INSULATION RESISTANCE 10M  $\Omega$  min. @500 VDC  
 MOTOR TYPE AC Induction Capacitor Motor  
 SAFETY Thermally Protected  
 TERMINATION Terminals or Lead Wire  
 WEIGHT 1.4 kg  
 ROHS COMPLIANCE Yes  
 IP LEVEL IP21 (Special IP Rating On Request)

# 160 mm

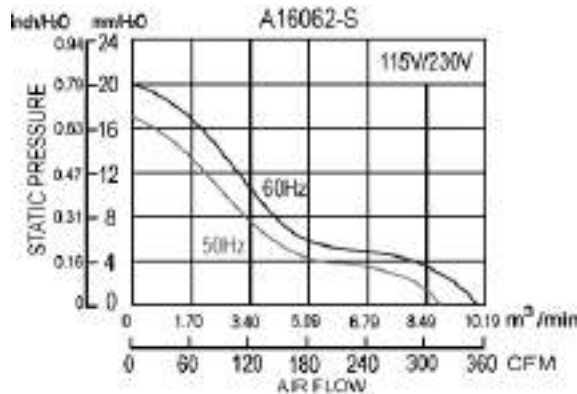
## DIMENSION



## SPECIFICATION

MODEL NO.	RATED VOLTAGE (V)	FREQUENCY (Hz)	RATED CURRENT (A)	INPUT POWER (W)	SPEED (RPM)	MAX. AIR PRESSURE inch/H <sub>2</sub> O mm/H <sub>2</sub> O	MAX. AIR FLOW CFM m <sup>3</sup> /min	NOISE dB(A) @1M
A16062V1H-S	115	50/60	0.49/0.49	48/55	2750/3100	0.67/0.79 17/20	310/350 8.77/9.90	60/64
A16062V2H-S	230	50/60	0.25/0.25	48/55	2750/3100	0.67/0.79 17/20	310/350 8.77/9.90	60/64

## AIR PERFORMANCE



# A

# 17051

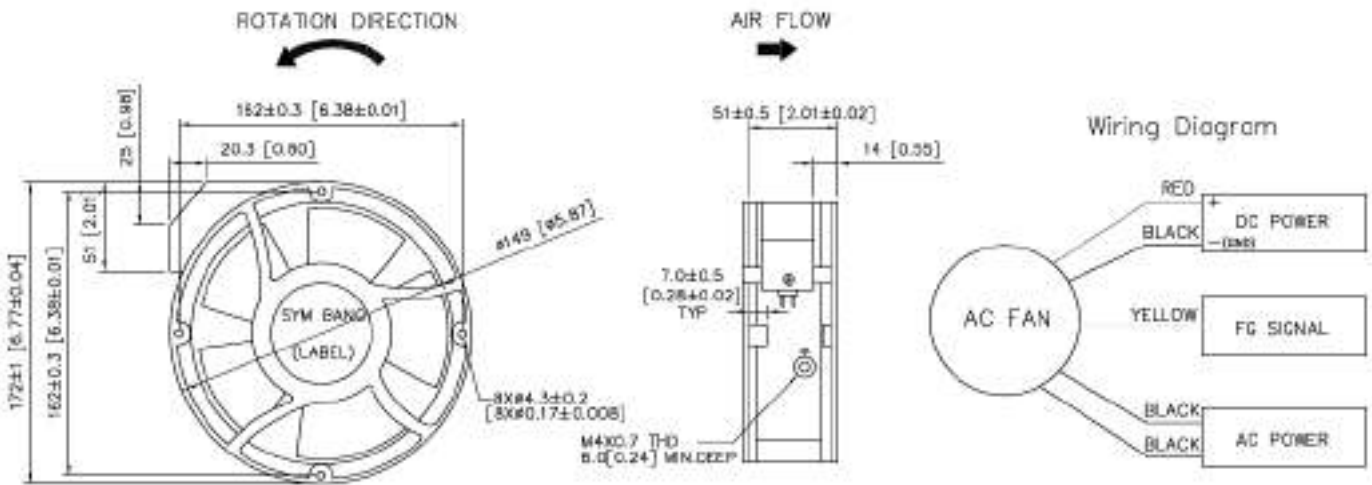
Ø172X51mm(Ø6.8"x2")



HOUSING Aluminum Die Casting, Painted Black  
 IMPELLER Thermoplastic PBT, UL94V-0  
 BEARING Ball  
 OPERATING TEMPERATURE -10°C to + 70°C  
 INSULATION Class A  
 OPERATING VOLTAGE RANGE 85 VAC to 125 VAC for 115V Type  
 185 VAC to 245 VAC for 230V Type  
 DIELECTRIC STRENGTH 5mA Max. at 1500 VAC for 1 second  
 INSULATION RESISTANCE 10M Ω min. @500 VDC  
 MOTOR TYPE AC Induction Capacitor Motor  
 SAFETY Thermally Protected  
 TERMINATION Terminals or Lead Wire  
 WEIGHT 875 g  
 ROHS COMPLIANCE Yes  
 IP LEVEL IP21 (Special IP Rating On Request)

# 172 mm

## DIMENSION

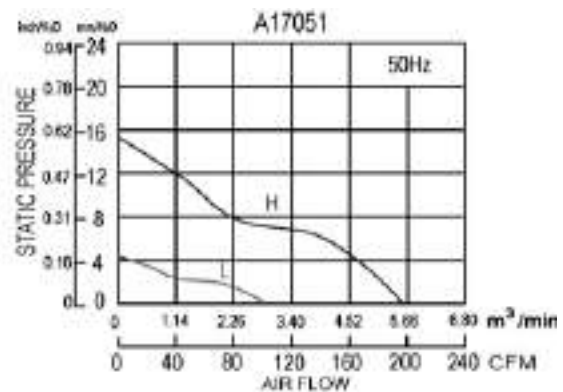
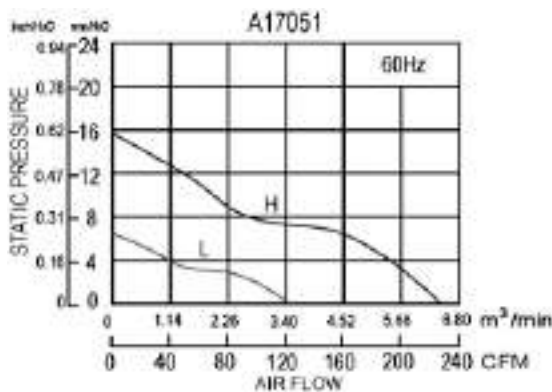


UNIT: mm[inch]

## SPECIFICATION

MODEL NO.	RATED VOLTAGE (V)	FREQUENCY (Hz)	RATED CURRENT (A)	INPUT POWER (W)	SPEED (RPM)	MAX. AIR PRESSURE inch/H <sub>2</sub> O mm/H <sub>2</sub> O	MAX. AIR FLOW CFM m <sup>3</sup> /min	NOISE dB(A) @1M
A17051V1H	115	50/60	0.22/0.28	25/31	2800/3350	0.59/0.61 15.1/15.6	195/225 5.57/6.42	57/61
A17051V1L	115	50/60	0.15/0.15	17/16	1400/1800	0.18/0.25 4.57/6.35	100/121 2.83/3.41	39/44
A17051V2H	230	50/60	0.11/0.14	24/30	2800/3350	0.59/0.61 15.1/15.6	195/225 5.57/6.42	57/61
A17051V2L	230	50/60	0.06/0.06	14/13	1400/1800	0.18/0.25 4.57/6.35	101/120 2.85/3.41	39/44

## AIR PERFORMANCE



AC Fans & Blowers

# A

# 17051-7DA

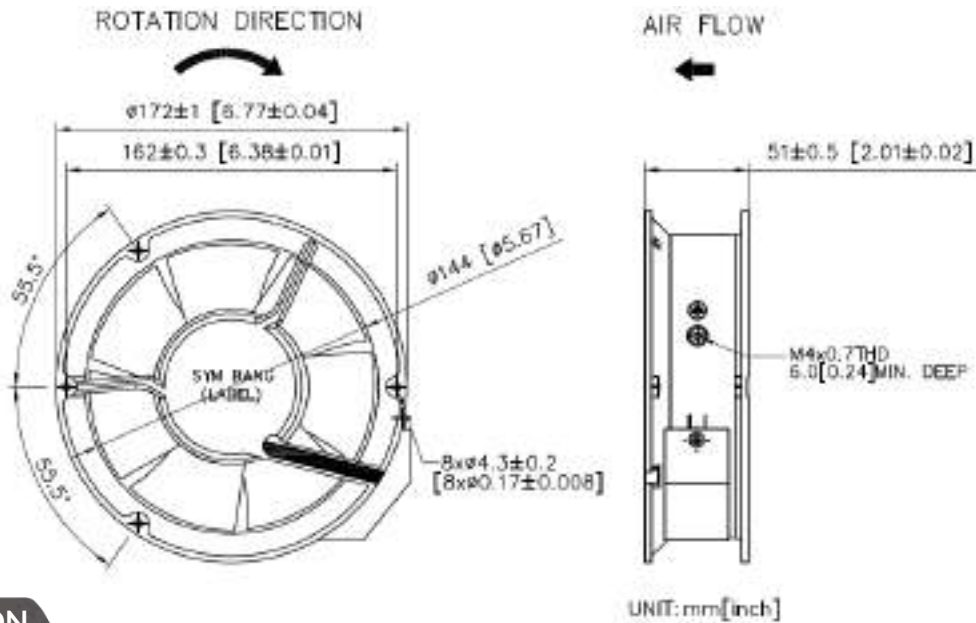
Ø172X51mm(Ø6.77"x2.01")



HOUSING	Aluminum Die Casting, Painted Black
IMPELLER	Thermoplastic PBT, UL94V-0
BEARING	Ball
OPERATING TEMPERATURE	-20°C to + 70°C
INSULATION	Class F
OPERATING VOLTAGE RANGE	85 VAC to 125 VAC for 115V Type 185 VAC to 245 VAC for 230V Type
DIELECTRIC STRENGTH	5mA Max. at 1500 VAC for 1 second
INSULATION RESISTANCE	10M Ω min. @500 VDC
MOTOR TYPE	Outer Rotor, AC Induction Capacitor Motor
SAFETY	Thermally Protected
TERMINATION	Terminals or Lead Wire
WEIGHT	1040 g
ROHS COMPLIANCE	Yes
IP LEVEL	IP21(Special IP Rating On Request)

# 172 mm

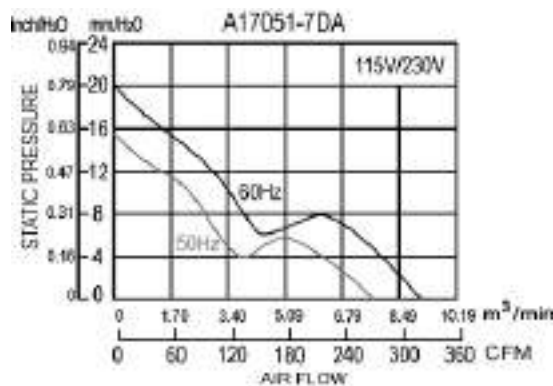
## DIMENSION



## SPECIFICATION

MODEL NO.	RATED VOLTAGE (V)	FREQUENCY (Hz)	RATED CURRENT (A)	INPUT POWER (W)	SPEED (RPM)	MAX. AIR PRESSURE inch/H2O    mm/H2O	MAX. AIR FLOW CFM        m3/min	NOISE dB(A) @1M
A17051V1SB-7DA	115	50/60	0.41/0.35	41/40	2800/3200	0.61/0.79    15.5/20.0	270/320    7.64/9.06	55/61
A17051V2SB-7DA	230	50/60	0.19/0.17	39/40	2800/3200	0.61/0.79    15.5/20.0	270/320    7.64/9.06	55/61

## AIR PERFORMANCE



# A

# 17051-DA

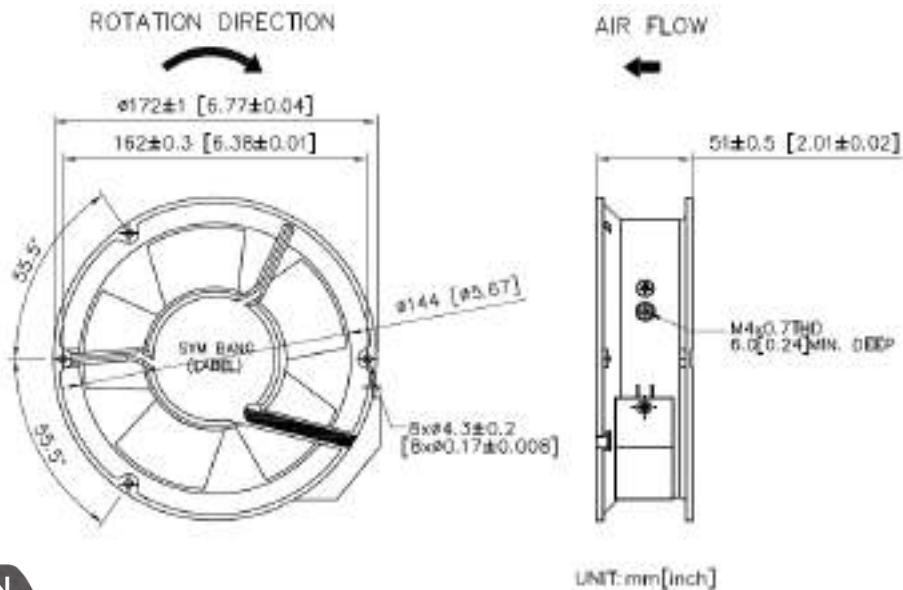
Ø172X51mm(Ø6.8"x2")



HOUSING	Aluminum Die Casting, Painted Black
IMPELLER	Thermoplastic PBT, UL94V-0
BEARING	Ball
OPERATING TEMPERATURE	-20°C to + 70°C
INSULATION	Class A
OPERATING VOLTAGE RANGE	85 VAC to 125 VAC for 115V Type 185 VAC to 245 VAC for 230V Type
DIELECTRIC STRENGTH	5mA Max. at 1500 VAC for 1 second
INSULATION RESISTANCE	10M Ω min. @500 VDC
MOTOR TYPE	AC Induction Capacitor Motor
SAFETY	Thermally Protected
TERMINATION	Terminals or Lead Wire
WEIGHT	920 g
ROHS COMPLIANCE	Yes
OPTIONAL FUNCTION	FG, RD
IP LEVEL	IP54 (Special IP Rating On Request)

# 172 mm

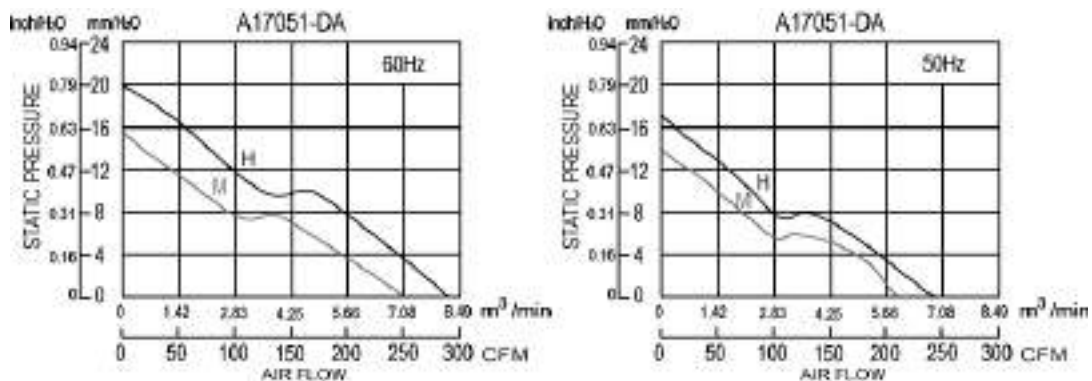
## DIMENSION



## SPECIFICATION

MODEL NO.	RATED VOLTAGE (V)	FREQUENCY (Hz)	RATED CURRENT (A)	INPUT POWER (W)	SPEED (RPM)	MAX. AIR PRESSURE		MAX. AIR FLOW		NOISE dB(A) @1M
						inch/H2O	mm/H2O	CFM	m3/min	
A17051V1H-DA	115	50/60	0.28/0.24	27/27	2800/3300	0.66/0.78	17.0/20.0	240/285	6.8/8.06	55/61
A17051V1M-DA	115	50/60	0.25/0.23	27/27	2650/3050	0.55/0.61	14.0/15.5	210/250	5.9/7.0	53/59
A17051V2H-DA	230	50/60	0.11/0.12	24/27	2800/3300	0.66/0.78	17.0/20.0	240/285	6.8/8.06	55/61
A17051V2M-DA	230	50/60	0.11/0.11	26/26	2650/3050	0.55/0.61	14.0/15.5	210/250	5.9/7.0	53/59

## AIR PERFORMANCE



AC Fans & Blowers



# A

# 17051-S

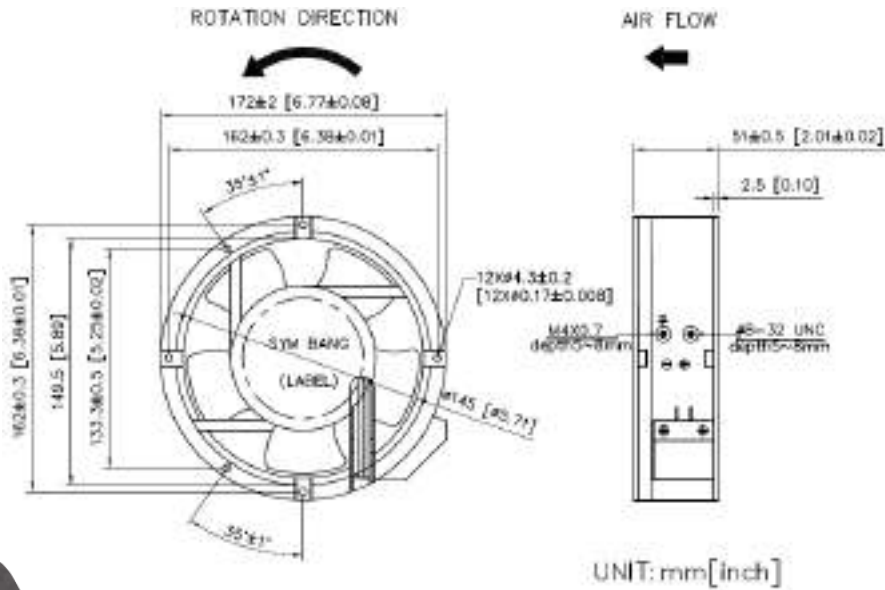
Ø172X51mm(Ø6.8"x2")



HOUSING Aluminum Die Casting, Painted Black  
 IMPELLER Thermoplastic PBT, UL94V-0  
 BEARING Ball  
 OPERATING TEMPERATURE -10°C to + 70°C  
 INSULATION Class A  
 OPERATING VOLTAGE RANGE 100 VAC to 120 VAC for 115V Type  
 200 VAC to 240 VAC for 230V Type  
 DIELECTRIC STRENGTH 5mA Max. at 1500 VAC for 1 second  
 INSULATION RESISTANCE 10M Ω min. @500 VDC  
 MOTOR TYPE AC Induction Capacitor Motor  
 SAFETY Thermally Protected  
 TERMINATION Terminals or Lead Wire  
 WEIGHT 875 g  
 ROHS COMPLIANCE Yes  
 OPTIONAL FUNCTION FG, RD  
 IP LEVEL IP21 (Special IP Rating On Request)

# 172 mm

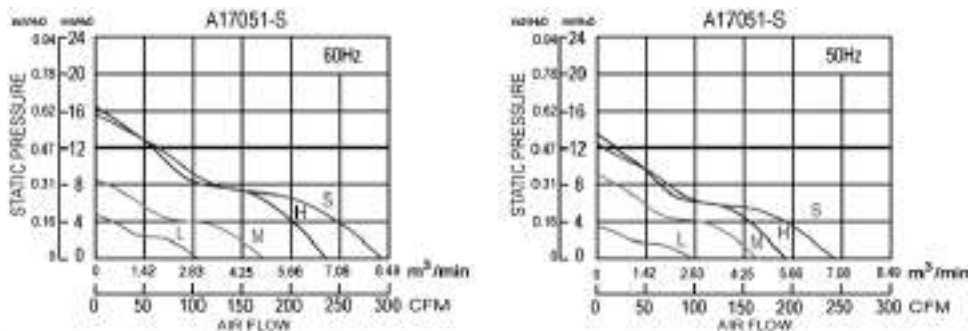
## DIMENSION



## SPECIFICATION

MODEL NO.	RATED VOLTAGE (V)	FREQUENCY (Hz)	RATED CURRENT (A)	INPUT POWER (W)	SPEED (RPM)	MAX. AIR PRESSURE		MAX. AIR FLOW		NOISE dB(A) @1M
						inch/H <sub>2</sub> O	mm/H <sub>2</sub> O	CFM	m <sup>3</sup> /min	
A17051V1S-S	115	50/60	0.30/0.25	46.0/46.3	2800/3230	0.48/0.62	12.3/15.8	240/286	6.79/8.09	56
A17051V1H-S	115	50/60	0.23/0.25	26.7/29.7	2800/3200	0.52/0.64	13.4/16.4	190/235	5.40/6.60	50
A17051V1M-S	115	50/60	0.15/0.19	16.1/21.0	2550/2400	0.37/0.33	9.4/8.6	165/170	4.70/4.80	40
A17051V1L-S	115	50/60	0.18/0.15	19.8/18.2	1450/1750	0.13/0.18	3.4/4.8	96/108	2.70/3.05	32
A17051V2S-S	230	50/60	0.30/0.25	57.2/52.8	2800/3200	0.48/0.62	12.3/15.8	240/286	6.79/8.09	56
A17051V2H-S	230	50/60	0.31/0.26	49.1/42.8	2650/2950	0.52/0.64	13.4/16.4	190/235	5.40/6.60	50
A17051V2M-S	230	50/60	0.09/0.11	17.9/22.8	2550/2300	0.37/0.33	9.4/8.6	165/170	4.70/4.80	40
A17051V2L-S	230	50/60	0.08/0.07	17.9/17.1	1450/1750	0.13/0.18	3.4/4.8	96/108	2.70/3.05	32

## AIR PERFORMANCE





# A

# 17051M-DA

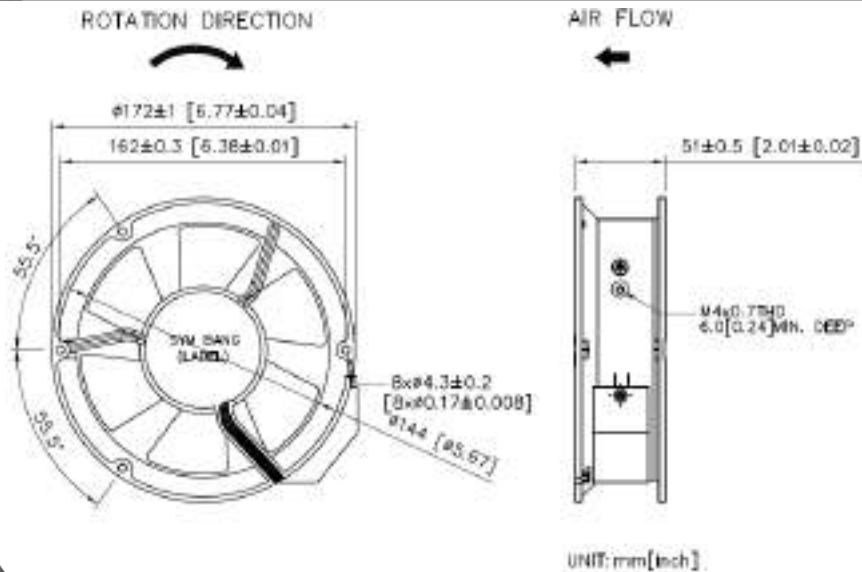
Ø172X51mm(Ø6.8"x2")



- HOUSING: Aluminum Die Casting, Painted Black
- IMPELLER: Metal
- BEARING: Ball
- OPERATING TEMPERATURE: -30°C to + 85°C
- INSULATION: Class A
- OPERATING VOLTAGE RANGE: 85 VAC to 125 VAC for 115V Type  
185 VAC to 245 VAC for 230V Type
- DIELECTRIC STRENGTH: 5mA Max. at 1800 VAC for 1 second
- INSULATION RESISTANCE: 10M Ω min. @500 VDC
- MOTOR TYPE: AC Induction Capacitor Motor
- SAFETY: Thermally Protected
- TERMINATION: Terminals or Lead Wire
- WEIGHT: 1.08 kg
- ROHS COMPLIANCE: Yes
- OPTIONAL FUNCTION: FG, RD
- IP LEVEL: IP54(Special IP Rating On Request)

# 172 mm

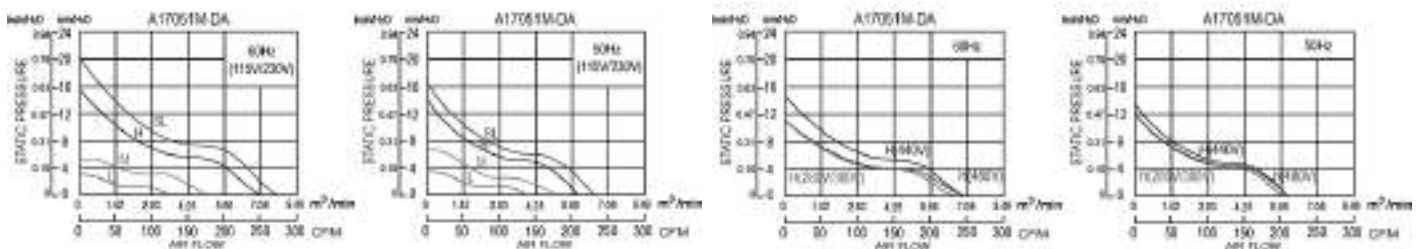
## DIMENSION



## SPECIFICATION

MODEL NO.	RATED VOLTAGE (V)	FREQUENCY (Hz)	RATED CURRENT (A)	INPUT POWER (W)	SPEED (RPM)	MAX. AIR PRESSURE		MAX. AIR FLOW		NOISE dB(A) @1M
						inch/H2O	mm/H2O	CFM	m3/min	
A17051V1SLBM-DA	115	50/60	0.27/0.23	26.0/26.0	2800/3300	0.65/0.79	16.5/20.0	230/270	6.23/7.36	55/61
A17051V1HBM-DA	115	50/60	0.25/0.21	27.0/25.0	2700/3100	0.55/0.61	14.0/15.5	210/250	5.94/7.08	53/59
A17051V1MBM-DA	115	50/60	0.12/0.15	14.0/17.0	2400/2350	0.26/0.20	6.6/5.2	174/174	4.92/4.92	51/51
A17051V1LBM-DA	115	50/60	0.07/0.07	8.00/9.00	1800/1700	0.13/0.11	3.3/2.9	135/123	3.82/3.48	47/45
A17051V2SLBM-DA	230	50/60	0.10/0.11	23.0/26.0	2800/3300	0.65/0.79	16.5/20.0	230/270	6.23/7.36	55/61
A17051V2HBM-DA	230	50/60	0.11/0.12	26.0/27.0	2700/3100	0.55/0.61	14.0/15.5	210/250	5.94/6.79	53/59
A17051V2MBM-DA	230	50/60	0.07/0.10	16.0/19.0	2400/2350	0.26/0.20	6.6/5.2	174/174	4.92/4.92	51/51
A17051V2LBM-DA	230	50/60	0.04/0.05	10.0/11.0	1850/1700	0.13/0.11	3.4/2.9	135/123	3.82/3.48	47/45
A17051V280HBM-DA	280	50/60	0.11/0.11	27.0/26.0	2600/3000	0.47/0.43	12.0/11.0	200/230	5.66/6.51	52/58
A17051V380HBM-DA	380	50/60	0.06/0.06	22.0/23.0	2600/3000	0.47/0.43	12.0/11.0	200/230	5.66/6.51	52/58
A17051V440HBM-DA	440	50/60	0.08/0.07	29.0/27.0	2700/3100	0.53/0.57	13.5/14.5	210/240	5.94/6.79	53/59
A17051V480HBM-DA	480	50/60	0.07/0.07	33.0/31.0	2600/3000	0.47/0.43	12.0/11.0	210/240	5.94/6.79	53/59

## AIR PERFORMANCE



AC Fans & Blowers

# A

# 17238

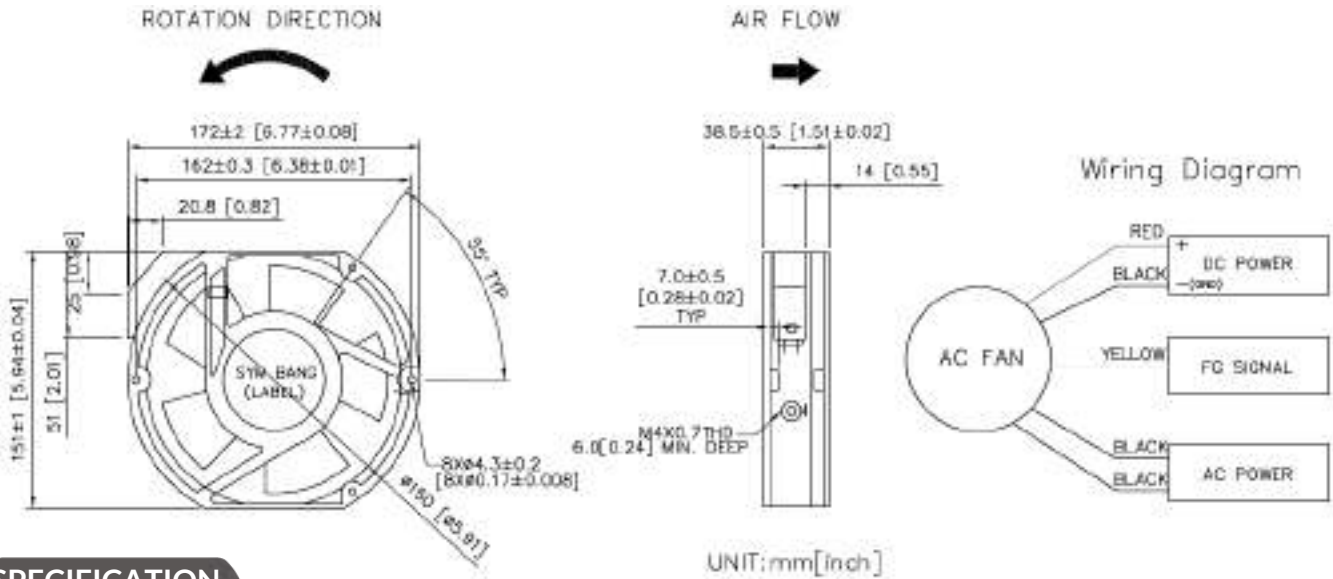
172X151X38mm(6.8"x5.9"x1.5")



HOUSING Aluminum Die Casting, Painted Black  
 IMPELLER Thermoplastic PBT, UL94V-0  
 BEARING Ball  
 OPERATING TEMPERATURE -10°C to + 70°C  
 INSULATION Class A  
 OPERATING VOLTAGE RANGE 85 VAC to 125 VAC for 115V Type  
 185 VAC to 245 VAC for 230V Type  
 DIELECTRIC STRENGTH 5mA Max. at 1500 VAC for 1 second  
 INSULATION RESISTANCE 10M Ω min. @500 VDC  
 MOTOR TYPE AC Induction Capacitor Motor  
 SAFETY Thermally Protected  
 TERMINATION Terminals or Lead Wire  
 WEIGHT 693 g  
 ROHS COMPLIANCE Yes  
 IP LEVEL IP21(Special IP Rating On Request)

# 172 mm

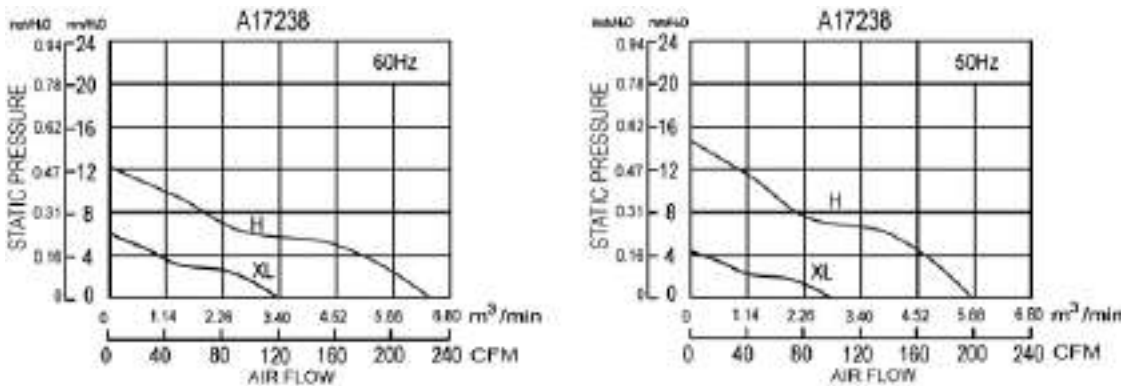
## DIMENSION



## SPECIFICATION

MODEL NO.	RATED VOLTAGE (V)	FREQUENCY (Hz)	RATED CURRENT (A)	INPUT POWER (W)	SPEED (RPM)	MAX. AIR PRESSURE		MAX. AIR FLOW		NOISE dB(A) @1M
						inch/H2O	mm/H2O	CFM	m3/min	
A17238V1H	115	50/60	0.22/0.29	25/32	2800/3300	0.57/0.48	14.63/12.2	198/225	5.6/6.4	58/62
A17238V1XL	115	50/60	0.15/0.15	16/16	1400/1800	0.16/0.23	4.29/6.01	100/119	2.8/3.4	40/45
A17238V2H	230	50/60	0.11/0.14	25/31	2800/3300	0.57/0.48	14.63/12.2	198/229	5.6/6.5	58/62
A17238V2XL	230	50/60	0.06/0.07	14/13	1400/1800	0.16/0.23	4.29/6.01	99/117	2.8/3.3	40/45

## AIR PERFORMANCE



# A

# 17238-C

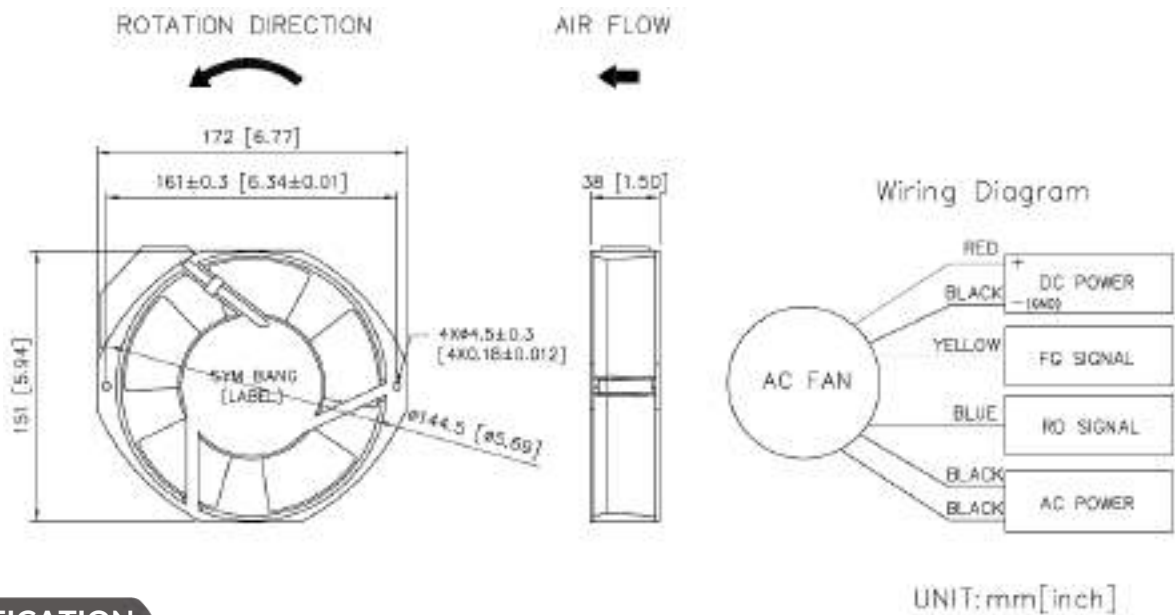
# 172X151X38mm(6.8"x5.9"x1.5")



HOUSING Aluminum Die Casting, Painted Black  
 IMPELLER Thermoplastic PBT, UL94V-0  
 BEARING Ball  
 OPERATING TEMPERATURE -10°C to + 70°C  
 INSULATION Class A  
 OPERATING VOLTAGE RANGE 100 VAC to 120 VAC for 115V Type  
 200 VAC to 240 VAC for 230V Type  
 DIELECTRIC STRENGTH 5mA Max. at 1500 VAC for 1 second  
 INSULATION RESISTANCE 10M  $\Omega$  min. @500 VDC  
 MOTOR TYPE Shaded Pole Motor  
 SAFETY Impedance Protected  
 TERMINATION Terminals or Lead Wire  
 WEIGHT 740 g  
 ROHS COMPLIANCE Yes  
 IP LEVEL IP21(Special IP Rating On Request)

# 172 mm

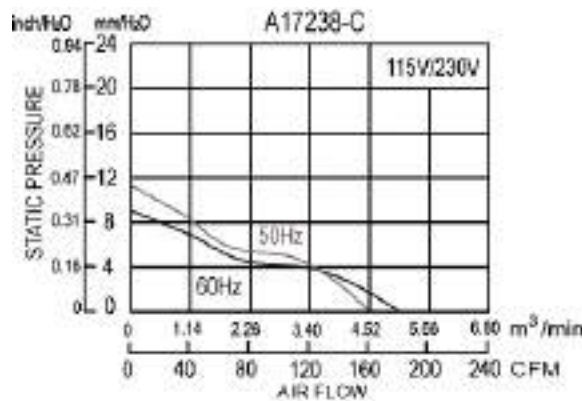
## DIMENSION



## SPECIFICATION

MODEL NO.	RATED VOLTAGE (V)	FREQUENCY (Hz)	RATED CURRENT (A)	INPUT POWER (W)	SPEED (RPM)	MAX. AIR PRESSURE inch/H <sub>2</sub> O mm/H <sub>2</sub> O	MAX. AIR FLOW CFM m <sup>3</sup> /min	NOISE dB(A)@1M
A17238V1HB-C	110	50/60	0.58/0.47	43/36	2580/2880	0.45/0.35 11.4/8.9	160/185 4.57/5.29	49
A17238V2HB-C	230	50/60	0.32/0.25	48/39	2580/2880	0.45/0.35 11.4/8.9	160/185 4.57/5.29	49

## AIR PERFORMANCE



AC Fans & Blowers

# A

# 17238-DA

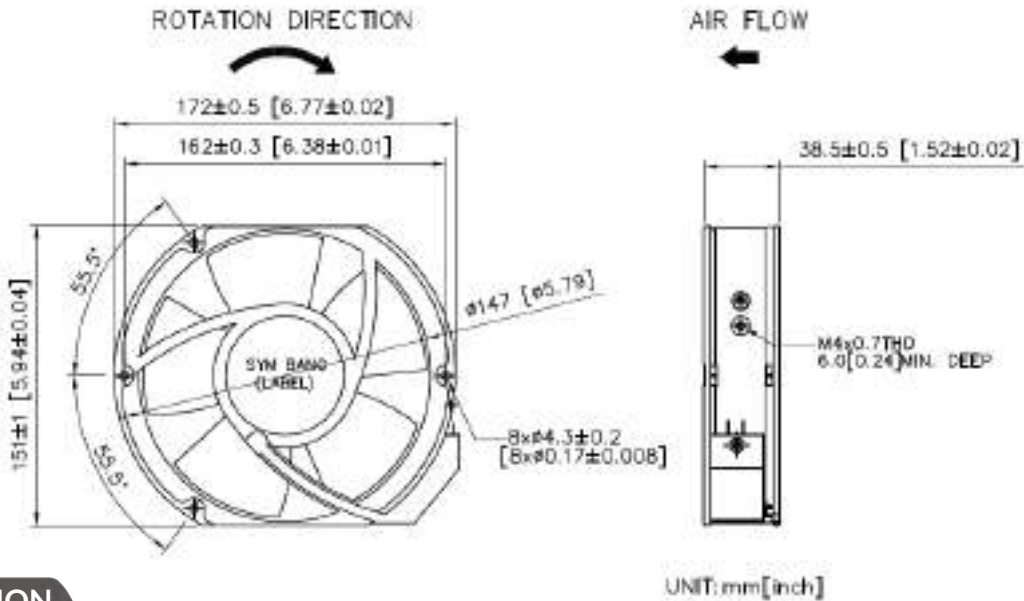
172X151X38mm(6.8"x5.9"x1.5")



HOUSING Aluminum Die Casting, Painted Black  
 IMPELLER Thermoplastic PBT, UL94V-0  
 BEARING Ball  
 OPERATING TEMPERATURE -20°C to + 70°C  
 INSULATION Class B  
 OPERATING VOLTAGE RANGE 85 VAC to 125 VAC for 115V Type  
 185 VAC to 245 VAC for 230V Type  
 DIELECTRIC STRENGTH 5mA Max. at 1800 VAC for 1 second  
 INSULATION RESISTANCE 10M Ω min. @500 VDC  
 MOTOR TYPE AC Induction Capacitor Motor  
 SAFETY Thermally Protected  
 TERMINATION Terminals or Lead Wire  
 WEIGHT 800 g  
 ROHS COMPLIANCE Yes  
 IP LEVEL IP54(Special IP Rating On Request)

# 172 mm

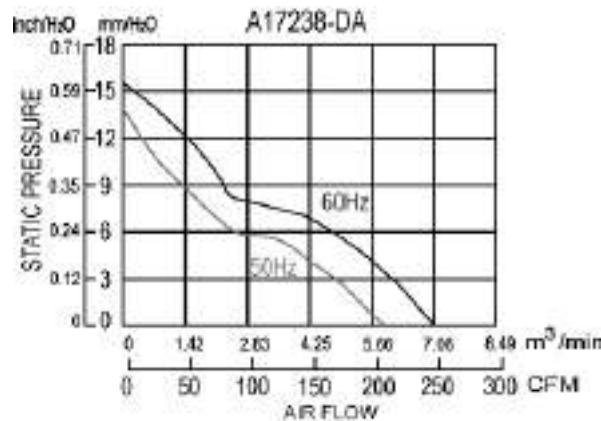
## DIMENSION



## SPECIFICATION

MODEL NO.	RATED VOLTAGE (V)	FREQUENCY (Hz)	RATED CURRENT (A)	INPUT POWER (W)	SPEED (RPM)	MAX. AIR PRESSURE		MAX. AIR FLOW		NOISE dB(A) @1M
						inch/H2O	mm/H2O	CFM	m3/min	
A17238V1HB-DA	115	50/60	0.25/0.21	27.0/25.0	2700/3100	0.55/0.61	14.0/15.5	210/250	5.91/7.07	53/59
A17238V2HB-DA	230	50/60	0.11/0.11	25.0/24.0	2700/3100	0.55/0.61	14.0/15.5	210/250	5.91/7.07	53/59

## AIR PERFORMANCE





# A

# 17238M

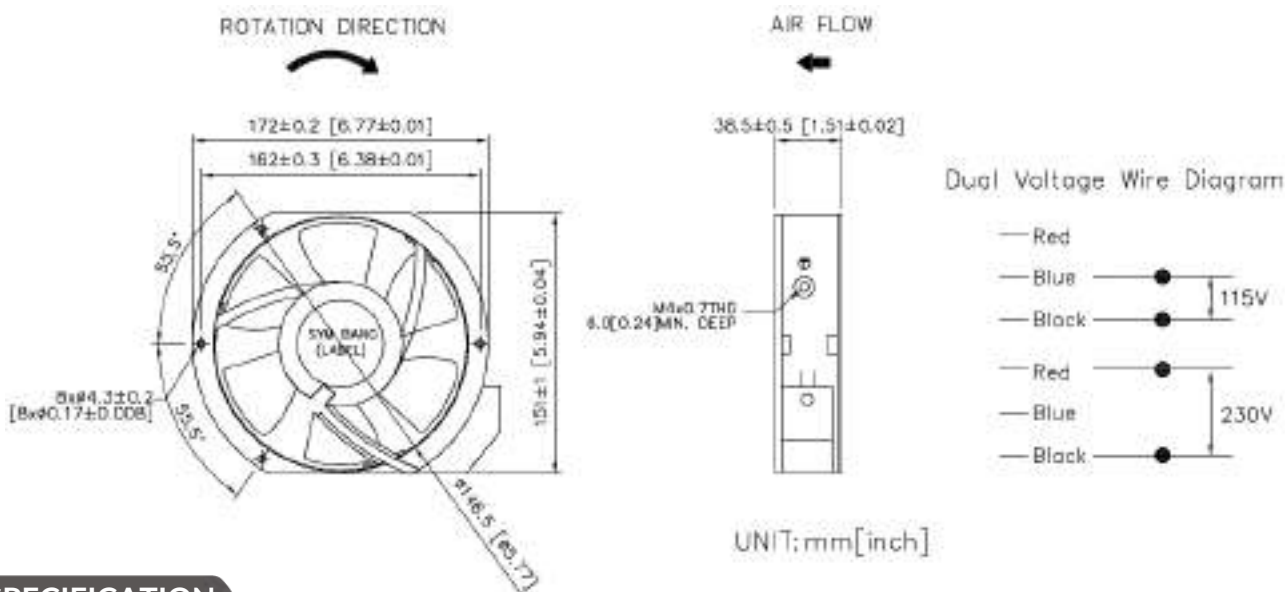
172X151X38mm(6.8"x5.9"x1.5")



HOUSING Aluminum Die Casting, Painted Black  
 IMPELLER Metal  
 BEARING Ball  
 OPERATING TEMPERATURE -10°C to + 70°C  
 INSULATION Class A  
 OPERATING VOLTAGE RANGE 85 VAC to 125 VAC for 115V Type  
 185 VAC to 245 VAC for 230V Type  
 DIELECTRIC STRENGTH 5mA Max. at 1500 VAC for 1 second  
 INSULATION RESISTANCE 10M  $\Omega$  min. @500 VDC  
 MOTOR TYPE Outer Rotor, AC Induction Capacitor Motor  
 SAFETY Thermally Protected  
 TERMINATION Terminals or Lead Wire  
 WEIGHT 820 g  
 ROHS COMPLIANCE Yes  
 IP LEVEL IP21(Special IP Rating On Request)

# 172 mm

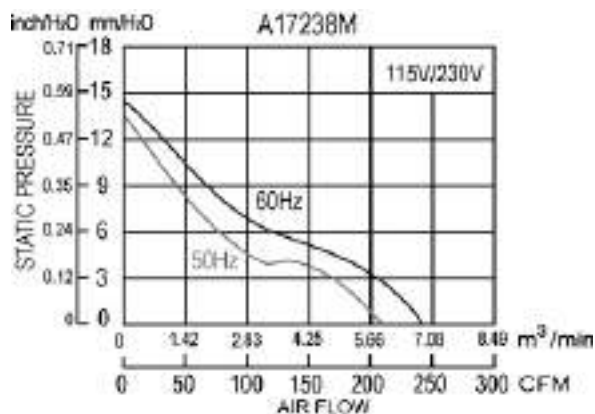
## DIMENSION



## SPECIFICATION

MODEL NO.	RATED VOLTAGE (V)	FREQUENCY (Hz)	RATED CURRENT (A)	INPUT POWER (W)	SPEED (RPM)	MAX. AIR PRESSURE inch/H2O mm/H2O	MAX. AIR FLOW CFM m3/min	NOISE dB(A)@1M
A17238V1HBM	115	50/60	0.25/0.21	27/25	2700/3100	0.53/0.57 13.5/14.5	210/240 5.94/6.79	52/58
A17238V2HBM	230	50/60	0.11/0.12	26/27	2700/3100	0.53/0.57 13.5/14.5	210/240 5.94/6.79	52/58

## AIR PERFORMANCE





# A

# 17251

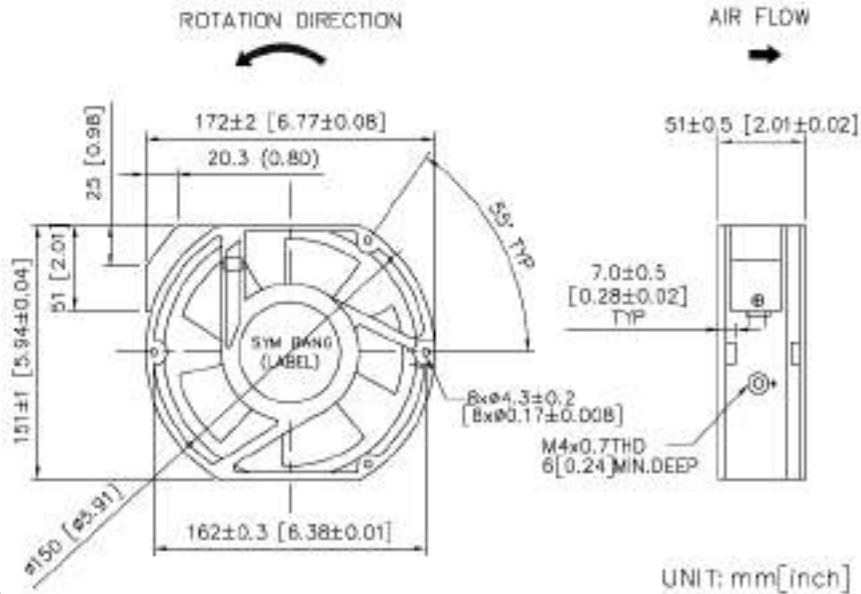
## 172X151X51mm(6.8"x5.9"x2")



HOUSING Aluminum Die Casting, Painted Black  
 IMPELLER Thermoplastic PBT, UL94V-0  
 BEARING Ball  
 OPERATING TEMPERATURE -10°C to + 70°C  
 INSULATION Class A  
 OPERATING VOLTAGE RANGE 85 VAC to 125 VAC for 115V Type  
 185 VAC to 245 VAC for 230V Type  
 DIELECTRIC STRENGTH 5mA Max. at 1500 VAC for 1 second  
 INSULATION RESISTANCE 10M Ω min. @500 VDC  
 MOTOR TYPE AC Induction Capacitor Motor  
 SAFETY Thermally Protected  
 TERMINATION Terminals or Lead Wire  
 WEIGHT 875 g  
 ROHS COMPLIANCE Yes  
 IP LEVEL IP21(Special IP Rating On Request)

# 172 mm

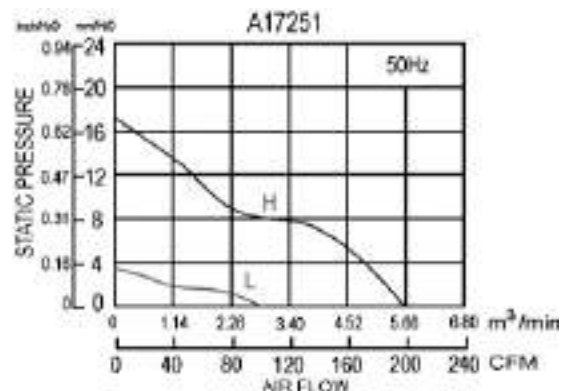
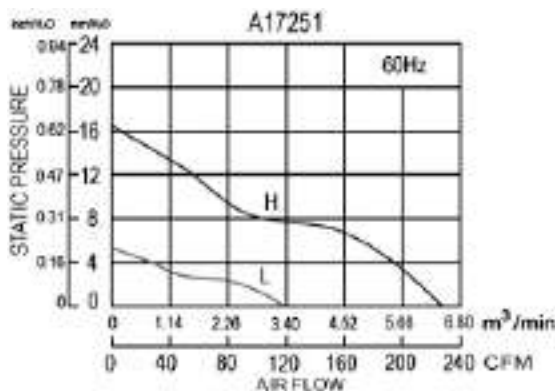
### DIMENSION



### SPECIFICATION

MODEL NO.	RATED VOLTAGE (V)	FREQUENCY (Hz)	RATED CURRENT (A)	INPUT POWER (W)	SPEED (RPM)	MAX. AIR PRESSURE		MAX. AIR FLOW		NOISE dB(A) @1M
						inch/H2O	mm/H2O	CFM	m3/min	
A17251V1H	115	50/60	0.22/0.28	25/31	2850/3350	0.66/0.64	16.8/16.3	198/226	5.6/6.4	57/61
A17251V1L	115	50/60	0.15/0.15	17/16	1400/1750	0.14/0.22	3.47/5.6	99/118	2.8/3.4	39/45
A17251V2H	230	50/60	0.11/0.15	25/32	2850/3350	0.66/0.64	16.8/16.3	198/230	5.6/6.5	57/61
A17251V2L	230	50/60	0.06/0.07	14/14	1400/1750	0.14/0.22	3.47/5.6	99/119	2.8/3.4	39/44

### AIR PERFORMANCE



**A**

# 17251-7DA

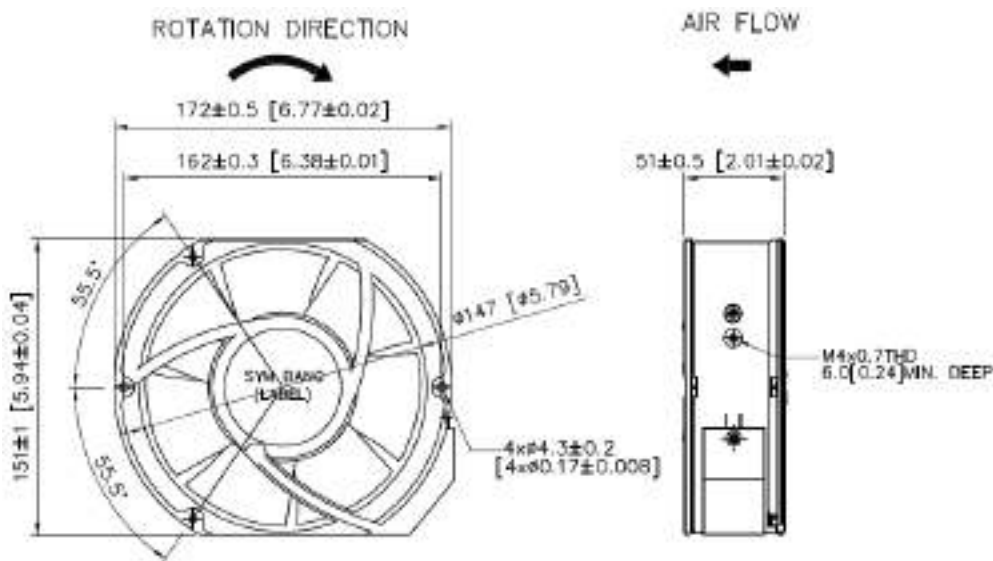
172X151X51mm(6.8"x5.9"x2")



HOUSING	Aluminum Die Casting, Painted Black
IMPELLER	Thermoplastic PBT, UL94V-0
BEARING	Ball
OPERATING TEMPERATURE	-20°C to + 70°C
INSULATION	Class F
OPERATING VOLTAGE RANGE	85 VAC to 125 VAC for 115V Type 185 VAC to 245 VAC for 230V Type
DIELECTRIC STRENGTH	5mA Max. at 1500 VAC for 1 second
INSULATION RESISTANCE	10M $\Omega$ min. @500 VDC
MOTOR TYPE	Outer Rotor, AC Induction Capacitor Motor
SAFETY	Thermally Protected
TERMINATION	Terminals or Lead Wire
WEIGHT	1040 g
ROHS COMPLIANCE	Yes
IP LEVEL	IP21(Special IP Rating On Request)

# 172 mm

## DIMENSION

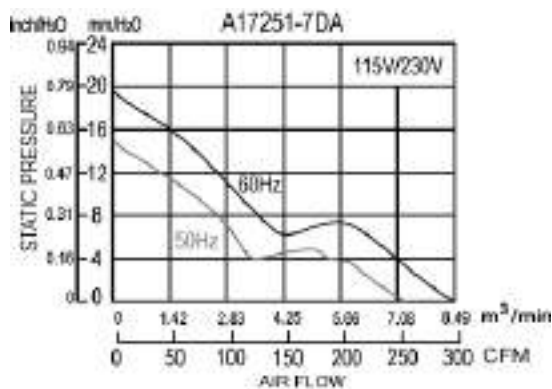


UNIT: mm [Inch]

## SPECIFICATION

MODEL NO.	RATED VOLTAGE (V)	FREQUENCY (Hz)	RATED CURRENT (A)	INPUT POWER (W)	SPEED (RPM)	MAX. AIR PRESSURE		MAX. AIR FLOW		NOISE dB(A) @1M
						inch/H <sub>2</sub> O	mm/H <sub>2</sub> O	CFM	m <sup>3</sup> /min	
A17251V1SHB-7DA	115	50/60	0.41/0.35	41/40	2800/3300	0.60/0.77	15.2/19.6	255/300	7.22/8.49	55/61
A17251V2SHB-7DA	230	50/60	0.19/0.17	39/40	2800/3300	0.60/0.77	15.2/19.6	255/300	7.22/8.49	55/61

## AIR PERFORMANCE



# A

# 17251-7S

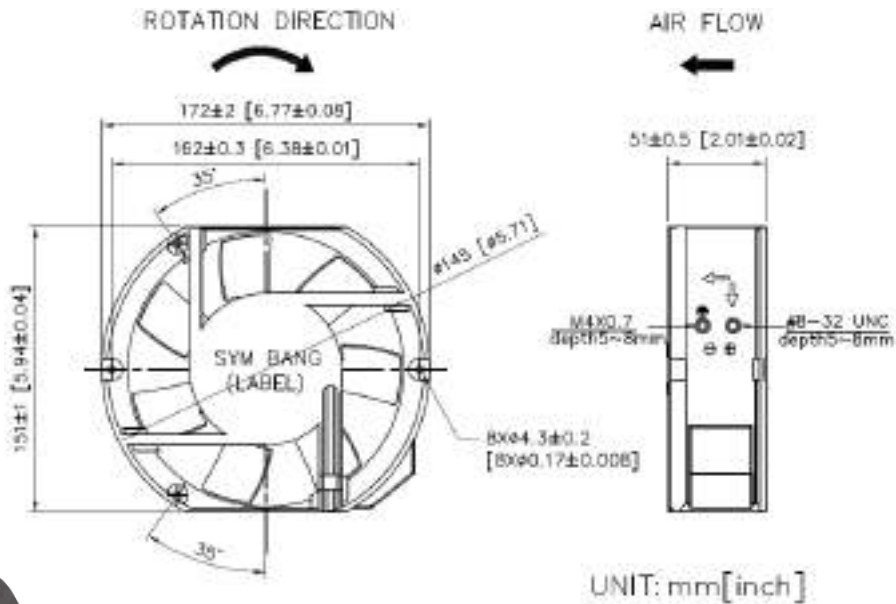
172X151X51mm(6.8"x5.9"x2")



HOUSING	Aluminum Die Casting, Painted Black
IMPELLER	Thermoplastic PBT, UL94V-0
BEARING	Ball
OPERATING TEMPERATURE	-10°C to + 70°C
INSULATION	Class A
OPERATING VOLTAGE RANGE	100 VAC to 120 VAC for 115V Type 200 VAC to 240 VAC for 230V Type
DIELECTRIC STRENGTH	5mA Max. at 1500 VAC for 1 second
INSULATION RESISTANCE	10M Ω min. @500 VDC
MOTOR TYPE	AC Induction Capacitor Motor
SAFETY	Thermally Protected
TERMINATION	Terminals or Lead Wire
WEIGHT	1050 g
ROHS COMPLIANCE	Yes
OPTIONAL FUNCTION	FG, RD
IP LEVEL	IP21(Special IP Rating On Request)

# 172 mm

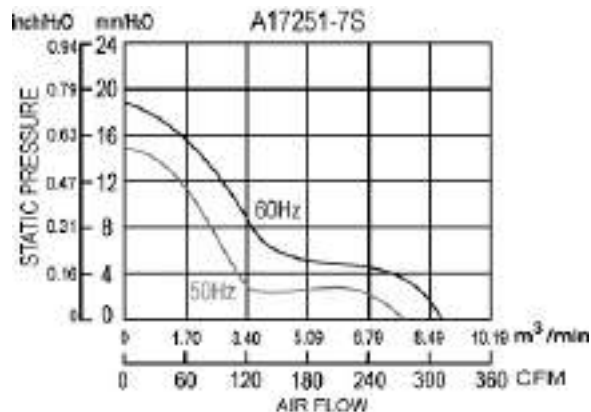
## DIMENSION



## SPECIFICATION

MODEL NO.	RATED VOLTAGE (V)	FREQUENCY (Hz)	RATED CURRENT (A)	INPUT POWER (W)	SPEED (RPM)	MAX. AIR PRESSURE		MAX. AIR FLOW		NOISE dB(A) @1M
						inch/H <sub>2</sub> O	mm/H <sub>2</sub> O	CFM	m <sup>3</sup> /min	
A17251V1SBL-7S	110	50/60	0.52/0.52	59/56	2675/3046	0.59/0.75	15.0/19.1	275/310	7.78/8.77	56/59
A17251V2SBL-7S	230	50/60	0.26/0.26	59/56	2609/2960	0.59/0.75	15.0/19.1	275/310	7.78/8.77	56/59

## AIR PERFORMANCE



# A

# 17251-DA

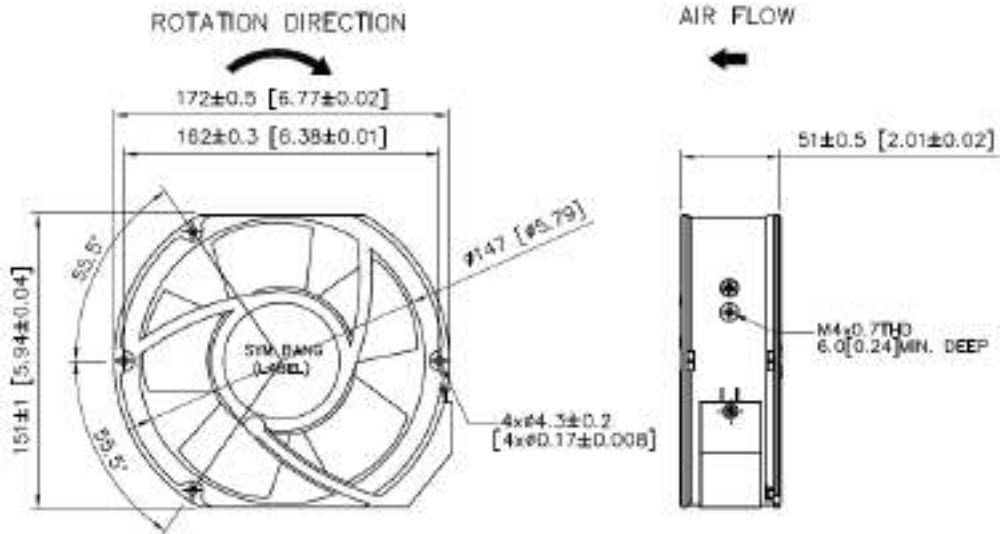
172X151X51mm(6.8"x5.9"x2")



- HOUSING Aluminum Die Casting, Painted Black
- IMPELLER Thermoplastic PBT, UL94V-0
- BEARING Ball
- OPERATING TEMPERATURE -20°C to + 70°C
- INSULATION Class B
- OPERATING VOLTAGE RANGE 104 VAC to 126 VAC for 115V Type  
207 VAC to 253 VAC for 230V Type
- DIELECTRIC STRENGTH 5mA Max. at 1800 VAC for 1 second
- INSULATION RESISTANCE 10M  $\Omega$  min. @500 VDC
- MOTOR TYPE Outer Rotor, AC Induction Capacitor Motor
- SAFETY Thermally Protected
- TERMINATION Terminals or Lead Wire
- WEIGHT 1050 g
- ROHS COMPLIANCE Yes
- IP LEVEL IP54(Special IP Rating On Request)

# 172 mm

## DIMENSION

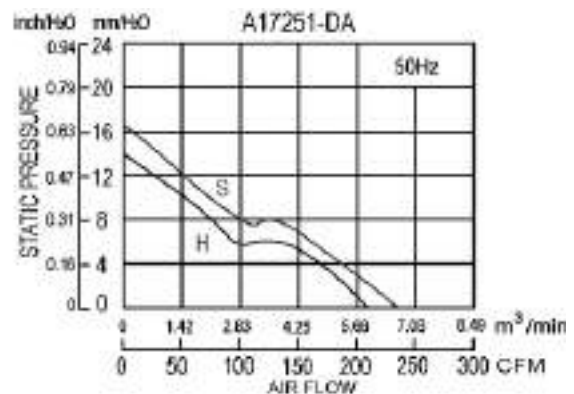
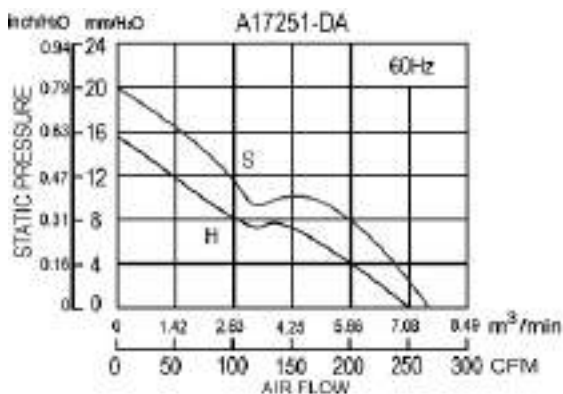


UNIT: mm [inch]

## SPECIFICATION

MODEL NO.	RATED VOLTAGE (V)	FREQUENCY (Hz)	RATED CURRENT (A)	INPUT POWER (W)	SPEED (RPM)	MAX. AIR PRESSURE		MAX. AIR FLOW		NOISE dB(A) @1M
						inch/H <sub>2</sub> O	mm/H <sub>2</sub> O	CFM	m <sup>3</sup> /min	
A17251V1SB-DA	115	50/60	0.28/0.24	27/27	2800/3300	0.64/0.78	16.5/20.0	230/270	6.5/7.64	55/61
A17251V1HB-DA	115	50/60	0.25/0.23	27/27	2650/3050	0.55/0.61	14/15.5	210/250	5.94/7.07	53/59
A17251V2SB-DA	230	50/60	0.11/0.12	24/27	2800/3300	0.64/0.78	16.5/20.0	230/270	6.5/7.64	55/61
A17251V2HB-DA	230	50/60	0.11/0.11	26/26	2650/3050	0.55/0.61	14/15.5	210/250	5.94/7.07	53/59

## AIR PERFORMANCE



AC Fans & Blowers



# A

# 17251-S

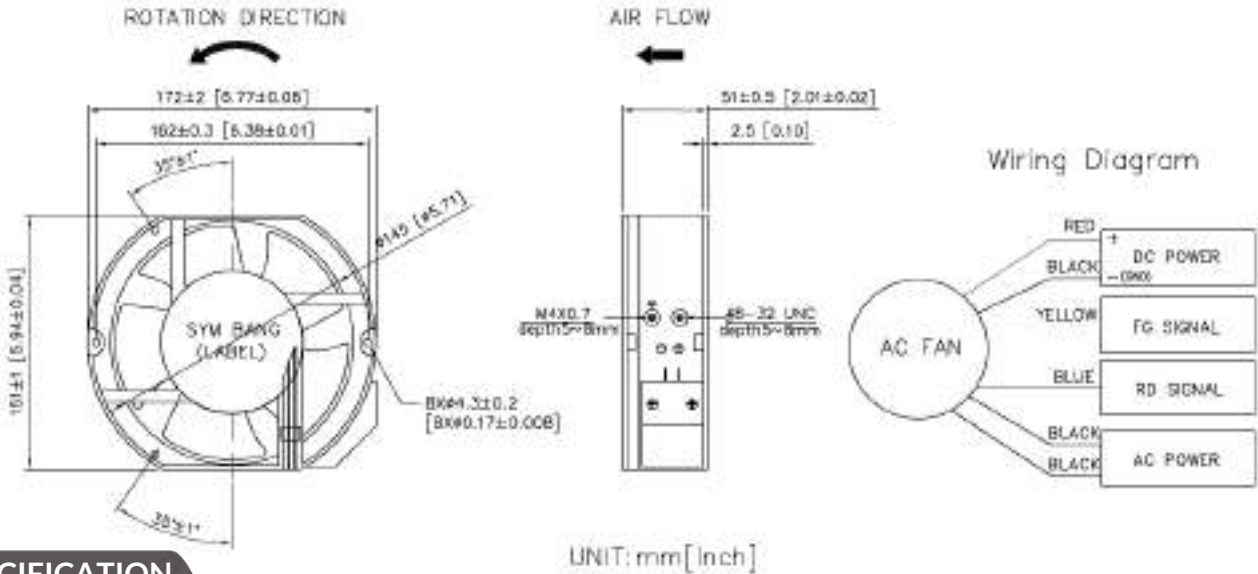
172X151X51mm(6.8"x5.9"x2")



HOUSING Aluminum Die Casting, Painted Black  
 IMPELLER Thermoplastic PBT, UL94V-0  
 BEARING Ball  
 OPERATING TEMPERATURE -10°C to + 70°C  
 INSULATION Class A  
 OPERATING VOLTAGE RANGE 100 VAC to 120 VAC for 115V Type  
 200 VAC to 240 VAC for 230V Type  
 DIELECTRIC STRENGTH 5mA Max. at 1500 VAC for 1 second  
 INSULATION RESISTANCE 10M Ω min. @500 VDC  
 MOTOR TYPE AC Induction Capacitor Motor  
 SAFETY Thermally Protected  
 TERMINATION Terminals or Lead Wire  
 WEIGHT 1050 g  
 ROHS COMPLIANCE Yes  
 OPTIONAL FUNCTION FG, RD  
 IP LEVEL IP21(Special IP Rating On Request)

# 172 mm

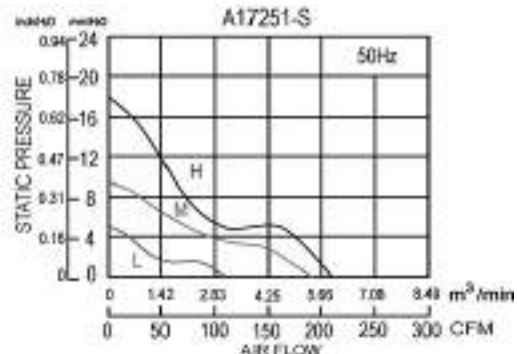
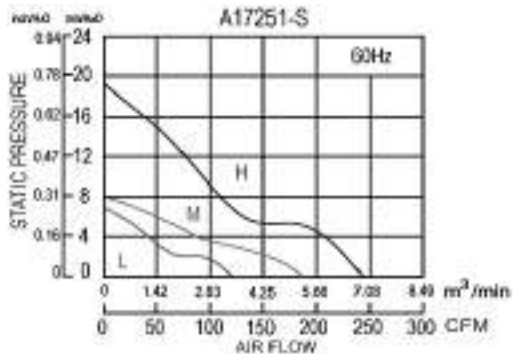
## DIMENSION



## SPECIFICATION

MODEL NO.	RATED VOLTAGE (V)	FREQUENCY (Hz)	RATED CURRENT (A)	INPUT POWER (W)	SPEED (RPM)	MAX. AIR PRESSURE (inch/H2O mm/H2O)	MAX. AIR FLOW (CFM m3/min)	NOISE (dB(A) @1M)
A17251V1H-S	115	50/60	0.30/0.25	26.7/29.7	2800/3200	0.71/0.75 18/19	210/240 5.94/6.79	57/61
A17251V1M-S	115	50/60	0.15/0.19	16.1/21.0	2550/2400	0.37/0.31 9.5/8	190/185 5.09/5.24	53/61
A17251V1L-S	115	50/60	0.18/0.15	19.8/18.2	1450/1750	0.20/0.28 5/7	110/120 3.11/3.40	36/41
A17251V2H-S	230	50/60	0.11/0.13	26.7/31.2	2800/3200	0.71/0.75 18/19	210/240 5.94/6.79	56/60
A17251V2M-S	230	50/60	0.09/0.11	17.8/22.8	2550/2300	0.37/0.31 9.5/8	190/185 5.09/5.24	53/50
A17251V2L-S	230	50/60	0.08/0.07	17.9/17.1	1450/1750	0.20/0.28 5/7	110/120 3.11/3.40	36/42

## AIR PERFORMANCE





# A

# 17251A

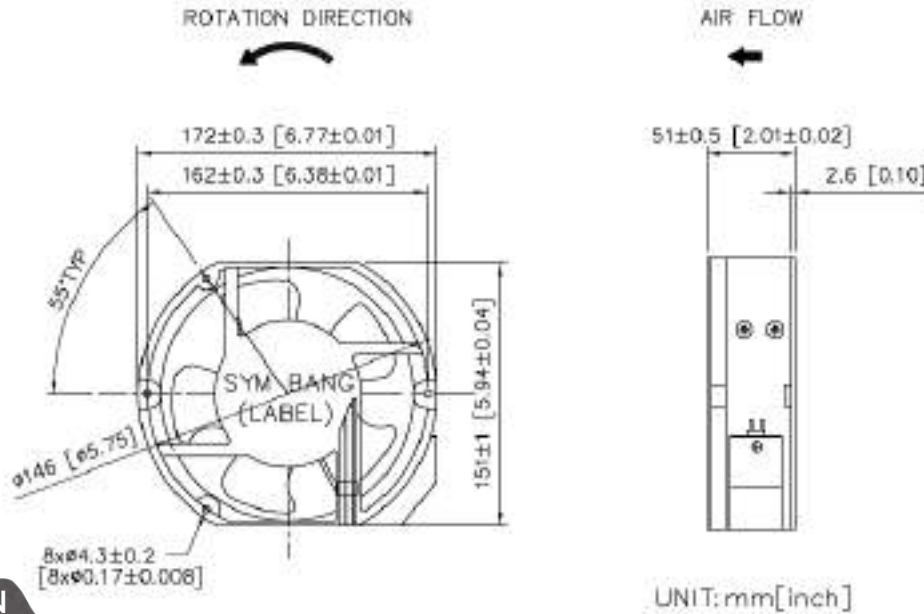
172X151X51mm(6.8"x5.9"x2")



HOUSING Aluminum Die Casting, Painted Black  
 IMPELLER Thermoplastic PBT, UL94V-0  
 BEARING Ball  
 OPERATING TEMPERATURE -10°C to + 70°C  
 INSULATION Class A  
 OPERATING VOLTAGE RANGE 85 VAC to 125 VAC for 115V Type  
 185 VAC to 245 VAC for 230V Type  
 DIELECTRIC STRENGTH 5mA Max. at 1500 VAC for 1 second  
 INSULATION RESISTANCE 10M Ω min. @500 VDC  
 MOTOR TYPE Shaded Pole Motor  
 SAFETY Thermally Protected  
 TERMINATION Terminals or Lead Wire  
 WEIGHT 1050 g  
 ROHS COMPLIANCE Yes  
 IP LEVEL IP21(Special IP Rating On Request)

# 172 mm

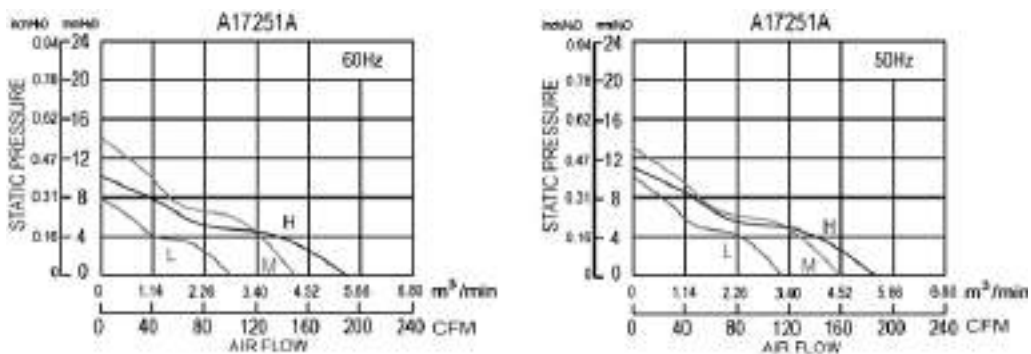
## DIMENSION



## SPECIFICATION

MODEL NO.	RATED VOLTAGE (V)	FREQUENCY (Hz)	RATED CURRENT (A)	INPUT POWER (W)	SPEED (RPM)	MAX. AIR PRESSURE		MAX. AIR FLOW		NOISE dB(A)@1M
						inch/H <sub>2</sub> O	mm/H <sub>2</sub> O	CFM	m <sup>3</sup> /min	
A17251V1HA	115	50/60	0.62/0.55	50.3/45.1	2600/2850	0.43/0.41	11/10.3	187/189	5.3/5.3	50
A17251V1MA	115	50/60	0.33/0.33	28.0/27.9	2400/2000	0.51/0.55	13/14	159/148	4.5/4.2	40
A17251V1LA	115	50/60	0.29/0.29	25.9/25.0	2170/1300	0.40/0.31	10/8	113/100	3.2/2.9	32
A17251V2HA	230	50/60	0.32/0.27	52.0/46.0	2600/2850	0.43/0.41	11/10.3	187/189	5.3/5.3	50
A17251V2MA	230	50/60	0.18/0.18	28.8/28.5	2400/2200	0.51/0.55	13/14	159/148	4.5/4.2	40
A17251V2LA	230	50/60	0.14/0.13	23.1/21.3	2170/1300	0.40/0.31	10/8	113/100	3.2/2.9	32

## AIR PERFORMANCE



AC Fans & Blowers

# A

# 17251A-C

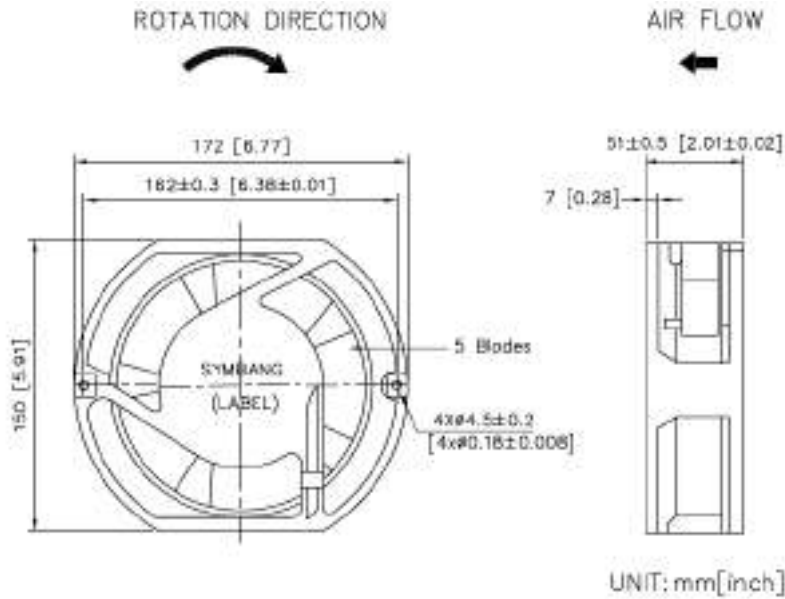
172X151X51mm(6.8"x5.9"x2")



HOUSING	Aluminum Die Casting, Painted Black
IMPELLER	Thermoplastic PBT, UL94V-0
BEARING	Ball
OPERATING TEMPERATURE	0°C to + 70°C
INSULATION	Class A
OPERATING VOLTAGE RANGE	100 VAC to 120 VAC for 115V Type 200 VAC to 240 VAC for 230V Type
DIELECTRIC STRENGTH	5mA Max. at 1200 VAC for 1 second
INSULATION RESISTANCE	10M Ω min. @500 VDC
MOTOR TYPE	Shaded Pole Motor
SAFETY	Impedance Protected
TERMINATION	Terminals or Lead Wire
WEIGHT	1.05 kg
ROHS COMPLIANCE	Yes
IP LEVEL	IP21(Special IP Rating On Request)

# 172 mm

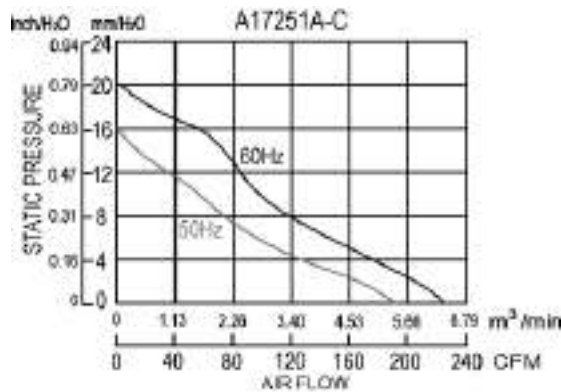
## DIMENSION



## SPECIFICATION

MODEL NO.	RATED VOLTAGE (V)	FREQUENCY (Hz)	RATED CURRENT (A)	INPUT POWER (W)	SPEED (RPM)	MAX. AIR PRESSURE		MAX. AIR FLOW		NOISE dB(A) @1M
						inch/H2O	mm/H2O	CFM	m3/min	
A17251V1HA-C	110	50/60	0.50/0.45	38/35	2700/3000	0.54/0.43	13.8/10.9	150/155	4.25/4.39	50
A17251V2HA-C	220	50/60	0.29/0.25	35/33	2700/3000	0.54/0.43	13.8/10.9	150/155	4.25/4.39	50

## AIR PERFORMANCE



# A

# 17251M

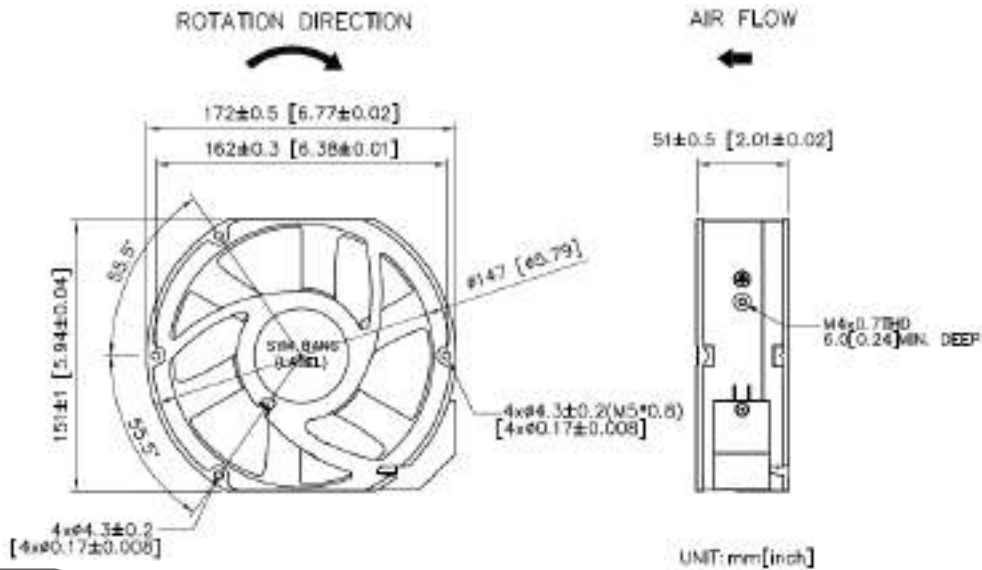
172X151X51mm(6.8"x5.9"x2")



- HOUSING Aluminum Die Casting, Painted Black
- IMPELLER Metal
- BEARING Ball
- OPERATING TEMPERATURE -10°C to + 70°C
- INSULATION Class A
- OPERATING VOLTAGE RANGE 85 VAC to 125 VAC for 115V Type  
185 VAC to 245 VAC for 230V Type
- DIELECTRIC STRENGTH 5mA Max. at 1500 VAC for 1 second
- INSULATION RESISTANCE 10M  $\Omega$  min. @500 VDC
- MOTOR TYPE Outer Rotor, AC Induction Capacitor Motor
- SAFETY Thermally Protected
- TERMINATION Terminals or Lead Wire
- WEIGHT 940 g
- ROHS COMPLIANCE Yes
- IP LEVEL IP21(Special IP Rating On Request)

# 172 mm

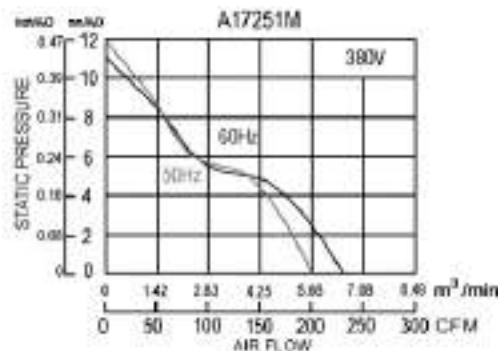
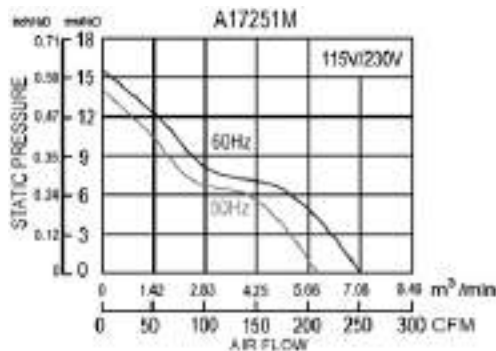
## DIMENSION



## SPECIFICATION

MODEL NO.	RATED VOLTAGE (V)	FREQUENCY (Hz)	RATED CURRENT (A)	INPUT POWER (W)	SPEED (RPM)	MAX. AIR PRESSURE		MAX. AIR FLOW		NOISE dB(A) @1M
						inch/H <sub>2</sub> O	mm/H <sub>2</sub> O	CFM	m <sup>3</sup> /min	
A17251V1SBM	115	50/60	0.27/0.23	26/26	2800/3300	0.64/0.78	16.5/20.0	220/260	6.20/7.35	55/61
A17251V1HBM	115	50/60	0.25/0.21	27/25	2700/3100	0.55/0.61	14/15.5	210/250	5.94/7.07	53/59
A17251V2SBM	230	50/60	0.10/0.11	23/26	2800/3300	0.64/0.78	16.5/20.0	220/260	6.20/7.35	55/61
A17251V2HBM	230	50/60	0.11/0.12	26/27	2700/3100	0.55/0.61	14/15.5	210/250	5.94/7.07	53/59
A17251V3HBM	380	50/60	0.06/0.06	22/23	2600/3000	0.47/0.43	12/11	200/230	5.66/6.51	53/59

## AIR PERFORMANCE



AC Fans & Blowers

# A

# 17689

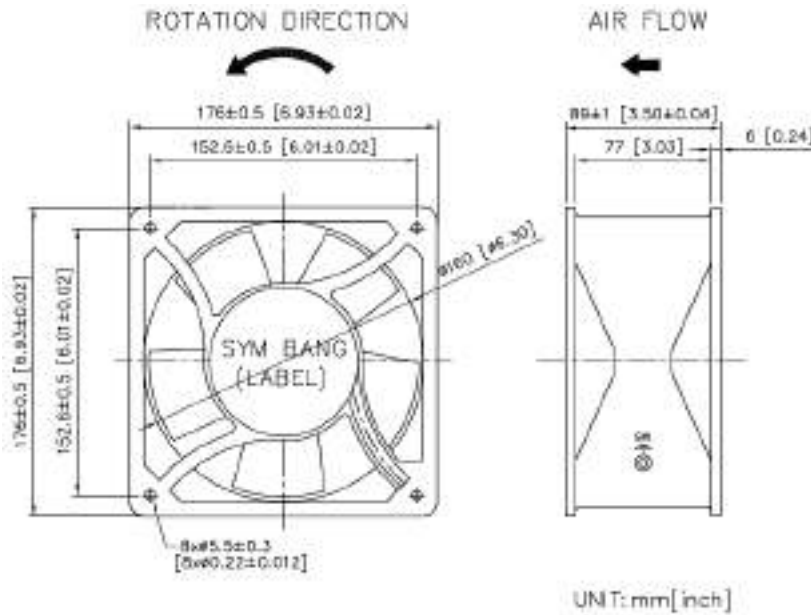
176X176X89mm(6.92"x6.92"x3.5")



HOUSING Aluminum Die Casting, Painted Black  
 IMPELLER Thermoplastic PBT+ Glass Fiber30% UL94V-0  
 BEARING Ball  
 OPERATING TEMPERATURE -10°C to + 70°C  
 INSULATION Class A  
 OPERATING VOLTAGE RANGE 100 VAC to 120 VAC for 115V Type  
 200 VAC to 240 VAC for 230V Type  
 DIELECTRIC STRENGTH 5mA Max. at 1500 VAC for 1 second  
 INSULATION RESISTANCE 10M Ω min. @500 VDC  
 MOTOR TYPE AC Induction Capacitor Motor  
 SAFETY Thermally Protected  
 TERMINATION Terminals or Lead Wire  
 WEIGHT 2 kg  
 ROHS COMPLIANCE Yes  
 IP LEVEL IP21(Special IP Rating On Request)

# 176 mm

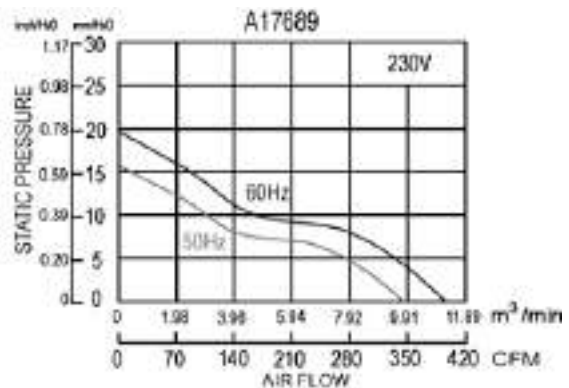
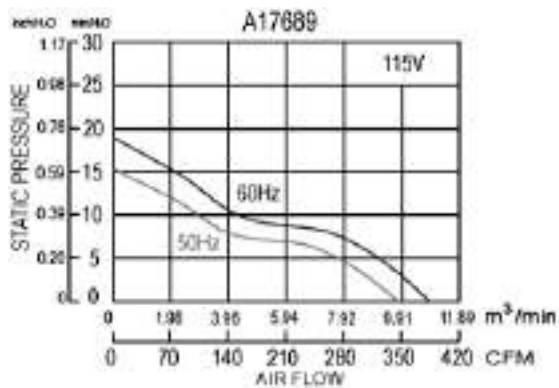
## DIMENSION



## SPECIFICATION

MODEL NO.	RATED VOLTAGE (V)	FREQUENCY (Hz)	RATED CURRENT (A)	INPUT POWER (W)	SPEED (RPM)	MAX. AIR PRESSURE		MAX. AIR FLOW		NOISE dB(A) @1M
						inch/H <sub>2</sub> O	mm/H <sub>2</sub> O	CFM	m <sup>3</sup> /min	
A17689V1H	115	50/60	0.57/0.54	63/62	2650/3000	0.60/0.74	15.3/18.8	342/383	9.7/10.9	56/60
A17689V2H	230	50/60	0.20/0.22	46/52	2765/3160	0.61/0.77	15.5/19.6	346/395	9.8/11.2	58/62

## AIR PERFORMANCE



# A

# 18065

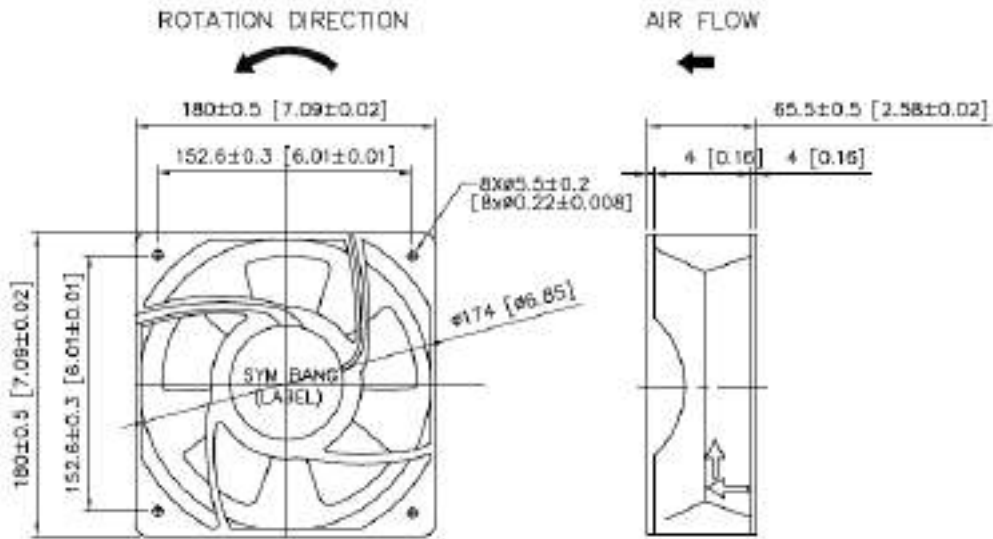
## 180X180X65mm(7.09"x7.09"x2.56")



HOUSING Aluminum Die Casting, Painted Black  
 IMPELLER Thermoplastic PBT, UL94V-0  
 BEARING Ball  
 OPERATING TEMPERATURE -10°C to + 70°C  
 INSULATION Class A  
 OPERATING VOLTAGE RANGE 85 VAC to 125 VAC for 115V Type  
 185 VAC to 245 VAC for 230V Type  
 DIELECTRIC STRENGTH 5mA Max. at 1500 VAC for 1 second  
 INSULATION RESISTANCE 10M  $\Omega$  min. @500 VDC  
 MOTOR TYPE AC Induction Capacitor Motor  
 SAFETY Thermally Protected  
 TERMINATION Terminals or Lead Wire  
 WEIGHT 1.6 kg  
 ROHS COMPLIANCE Yes  
 IP LEVEL IP21(Special IP Rating On Request)

# 180 mm

### DIMENSION

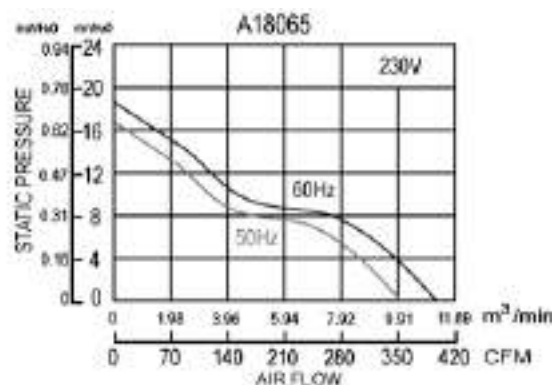
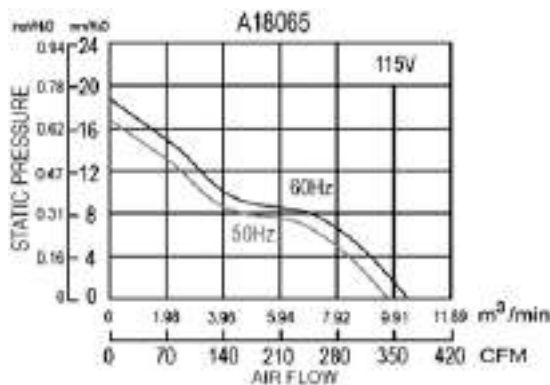


UNIT: mm [inch]

### SPECIFICATION

MODEL NO.	RATED VOLTAGE (V)	FREQUENCY (Hz)	RATED CURRENT (A)	INPUT POWER (W)	SPEED (RPM)	MAX. AIR PRESSURE		MAX. AIR FLOW		NOISE dB(A)@1M
						inch/H <sub>2</sub> O	mm/H <sub>2</sub> O	CFM	m <sup>3</sup> /min	
A18065V1H	115	50/60	0.49/0.66	56/74	2650/3000	0.66/0.74	16.9/18.8	342/365	9.7/10.3	58/61
A18065V2H	230	50/60	0.26/0.33	58/76	2700/3100	0.66/0.74	16.9/18.8	352/394	9.9/11.1	58/61

### AIR PERFORMANCE



AC Fans & Blowers



# A

# 18065-S

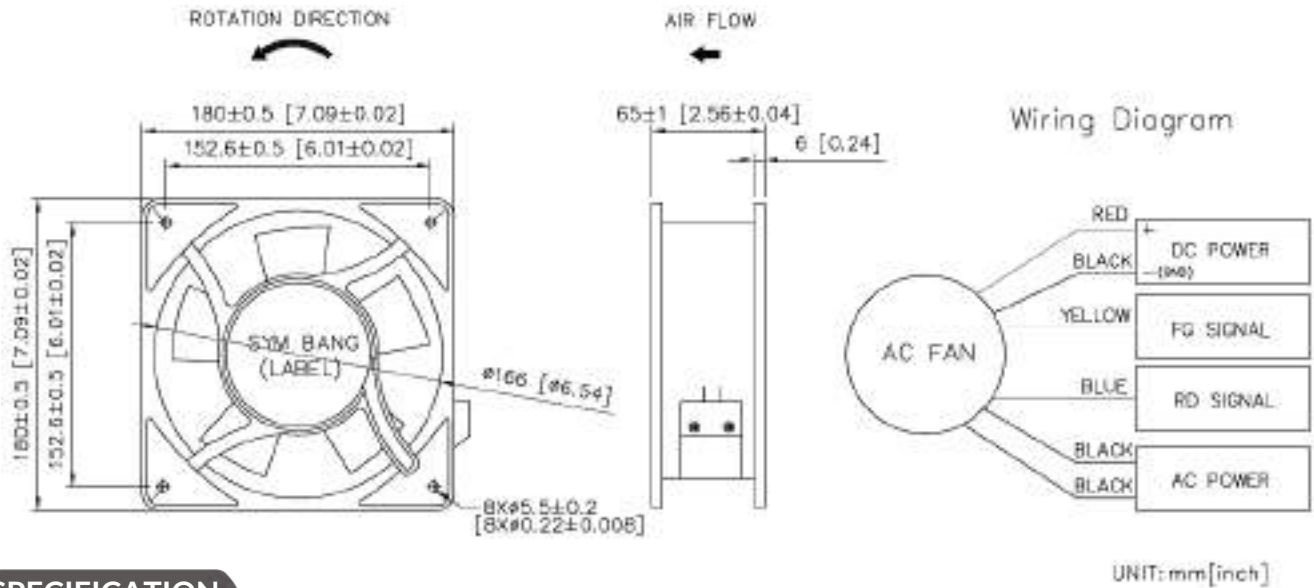
# 180X180X65mm(7.09"x7.09"x2.56")



HOUSING Aluminum Die Casting, Painted Black  
 IMPELLER Thermoplastic PBT, UL94V-0  
 BEARING Ball  
 OPERATING TEMPERATURE -10°C to + 70°C  
 INSULATION Class A  
 OPERATING VOLTAGE RANGE 100 VAC to 120 VAC for 115V Type  
 200 VAC to 240 VAC for 230V Type  
 DIELECTRIC STRENGTH 5mA Max. at 1500 VAC for 1 second  
 INSULATION RESISTANCE 10M Ω min. @500 VDC  
 MOTOR TYPE AC Induction Capacitor Motor  
 SAFETY Thermally Protected  
 TERMINATION Terminals or Lead Wire  
 WEIGHT 1.8 kg  
 ROHS COMPLIANCE Yes  
 OPTIONAL FUNCTION FG, RD  
 IP LEVEL IP21(Special IP Rating On Request)

# 180 mm

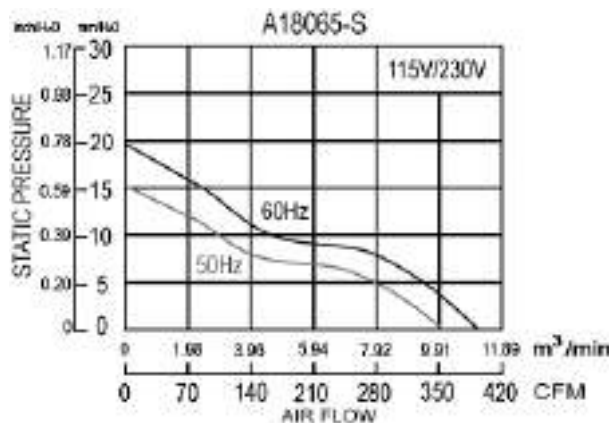
## DIMENSION



## SPECIFICATION

MODEL NO.	RATED VOLTAGE (V)	FREQUENCY (Hz)	RATED CURRENT (A)	INPUT POWER (W)	SPEED (RPM)	MAX. AIR PRESSURE (inch/H <sub>2</sub> O)	MAX. AIR PRESSURE (mm/H <sub>2</sub> O)	MAX. AIR FLOW (CFM)	MAX. AIR FLOW (m <sup>3</sup> /min)	NOISE dB(A) @1M
A18065V1H-S	115	50/60	0.56/0.48	52/56	2800/3250	0.59/0.76	15.1/19.4	355/395	10.0/11.1	62
A18065V2H-S	230	50/60	0.20/0.23	44/53	2800/3250	0.59/0.76	15.1/19.4	355/395	10.0/11.1	62

## AIR PERFORMANCE



# A 20872-S

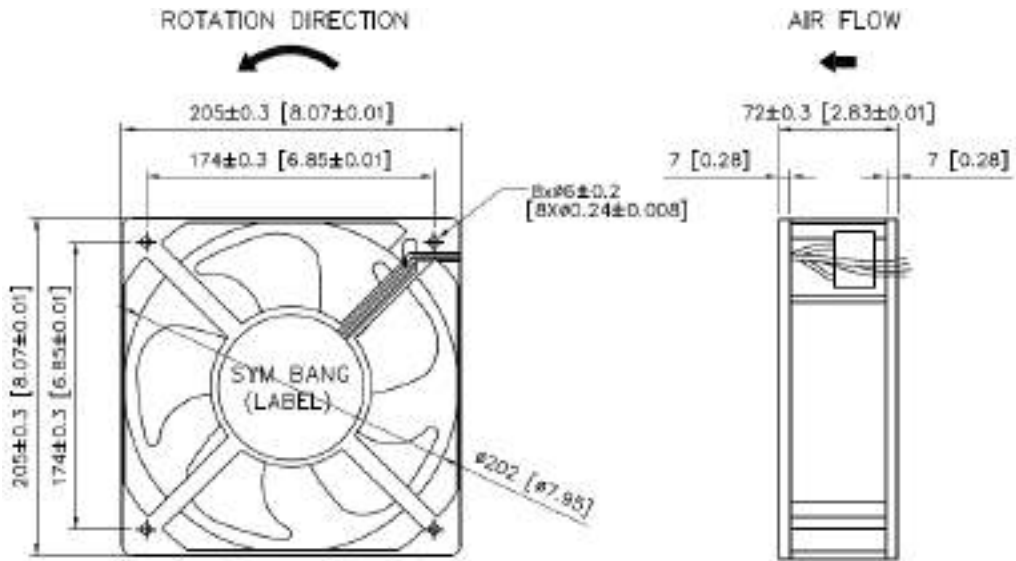
205X205X72mm(8.07"x8.07"x2.83")



HOUSING Aluminum Die Casting, Painted Black  
 IMPELLER Thermoplastic PBT, UL94V-0  
 BEARING Ball  
 OPERATING TEMPERATURE -10°C to + 70°C  
 INSULATION Class A  
 OPERATING VOLTAGE RANGE 100 VAC to 120 VAC for 115V Type  
 200 VAC to 240 VAC for 230V Type  
 DIELECTRIC STRENGTH 5mA Max. at 1500 VAC for 1 second  
 INSULATION RESISTANCE 10M  $\Omega$  min. @500 VDC  
 MOTOR TYPE AC Induction Capacitor Motor  
 SAFETY Thermally Protected  
 TERMINATION Terminals or Lead Wire  
 WEIGHT 2.5 kg  
 ROHS COMPLIANCE Yes  
 IP LEVEL IP21(Special IP Rating On Request)

# 208 mm

## DIMENSION

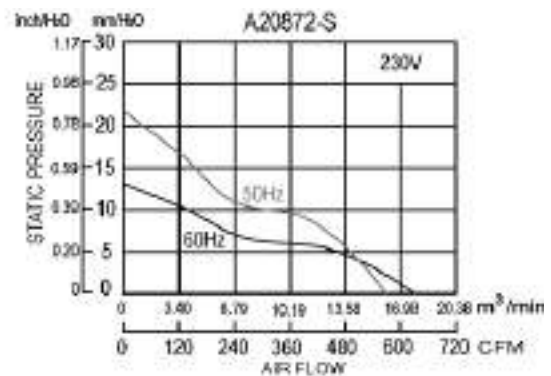
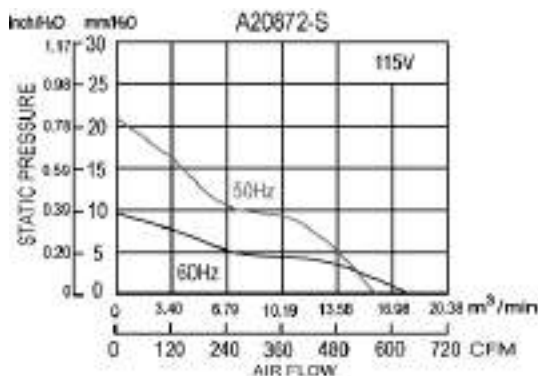


UNIT: mm[inch]

## SPECIFICATION

MODEL NO.	RATED VOLTAGE (V)	FREQUENCY (Hz)	RATED CURRENT (A)	INPUT POWER (W)	SPEED (RPM)	MAX. AIR PRESSURE		MAX. AIR FLOW		NOISE dB(A) @1M
						inch/H <sub>2</sub> O	mm/H <sub>2</sub> O	CFM	m <sup>3</sup> /min	
A20872V1H-S	115	50/60	0.60/0.91	68/108	2850/3256	0.82/0.37	21/9.4	560/630	16.1/17.8	60/65
A20872V2H-S	230	50/60	0.32/0.46	71/110	2850/3256	0.86/0.51	22/13	560/630	16.1/17.8	60/65

## AIR PERFORMANCE



# A

# 21070-B

210X210X70mm(8.27"x8.27"x2.76")

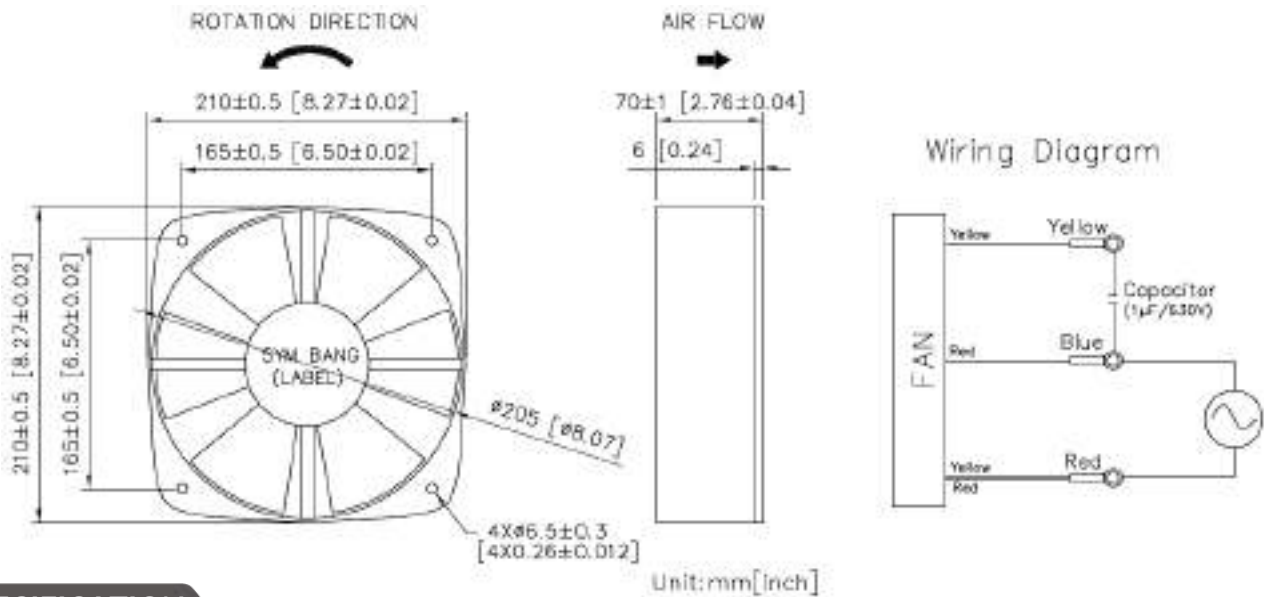


HOUSING Aluminum Die Casting, Painted Blue/Black  
 IMPELLER Thermoplastic PBT, UL94V-0, Blue/Black  
 BEARING Ball  
 OPERATING TEMPERATURE -10°C to + 70°C  
 INSULATION Class A  
 OPERATING VOLTAGE RANGE 200 VAC to 240 VAC for 220V Type

DIELECTRIC STRENGTH 5mA Max. at 1500 VAC for 1 second  
 INSULATION RESISTANCE 10M  $\Omega$  min. @500 VDC  
 MOTOR TYPE AC Induction Capacitor Motor  
 SAFETY Thermally Protected  
 TERMINATION Lead Wire  
 WEIGHT 1.7 kg  
 ROHS COMPLIANCE Yes  
 IP LEVEL IP21(Special IP Rating On Request)

# 210 mm

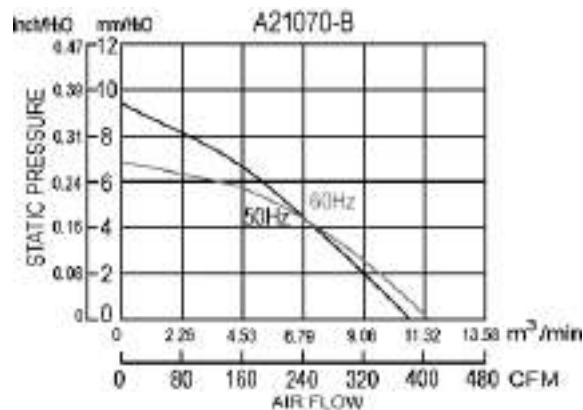
## DIMENSION



## SPECIFICATION

MODEL NO.	RATED VOLTAGE (V)	FREQUENCY (Hz)	RATED CURRENT (A)	INPUT POWER (W)	SPEED (RPM)	MAX. AIR PRESSURE inch/H <sub>2</sub> O mm/H <sub>2</sub> O	MAX. AIR FLOW CFM m <sup>3</sup> /min	NOISE dB(A) @1M
A21070V2HBL-B	220	50/60	0.2/0.25	45/55	2550/3000	0.37/0.28 9.4/7.0	379/402 10.73/11.38	70/75

## AIR PERFORMANCE



# A

# 22060-B

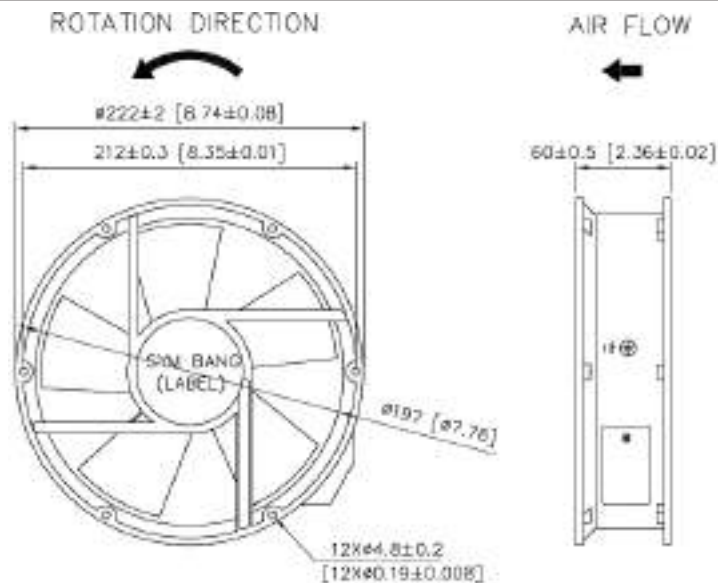
Ø220X60mm(Ø8.66"x2.36")



HOUSING	Aluminum Die Casting, Painted Black
IMPELLER	Thermoplastic PBT, UL94V-0
BEARING	Ball
OPERATING TEMPERATURE	-10°C to + 70°C
INSULATION	Class A
OPERATING VOLTAGE RANGE	100 VAC to 125 VAC for 110V Type 200 VAC to 240 VAC for 220V Type
DIELECTRIC STRENGTH	5mA Max. at 1500 VAC for 1 second
INSULATION RESISTANCE	10M Ω min. @500 VDC
MOTOR TYPE	AC Induction Capacitor Motor
SAFETY	Thermally Protected
TERMINATION	Terminals or Lead Wire
WEIGHT	1.6 kg
ROHS COMPLIANCE	Yes
IP LEVEL	IP21 (Special IP Rating On Request)

# 220 mm

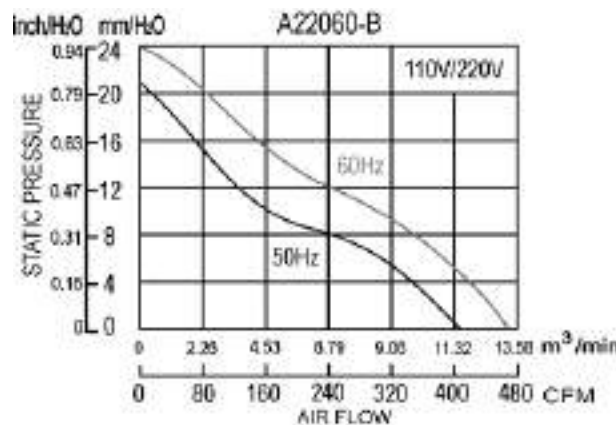
## DIMENSION



## SPECIFICATION

MODEL NO.	RATED VOLTAGE (V)	FREQUENCY (Hz)	RATED CURRENT (A)	INPUT POWER (W)	SPEED (RPM)	MAX. AIR PRESSURE		MAX. AIR FLOW		NOISE dB(A) @1M
						inch/H <sub>2</sub> O	mm/H <sub>2</sub> O	CFM	m <sup>3</sup> /min	
A22060V1HB-B	110	50/60	0.42	42	2600/2900	0.83/0.95	21/24	406/465	11.5/13.2	62/68
A22060V2HB-B	220	50/60	0.2	40	2600/2900	0.83/0.95	21/24	406/465	11.5/13.2	62/68

## AIR PERFORMANCE



AC Fans & Blowers

# A

# 22060-C

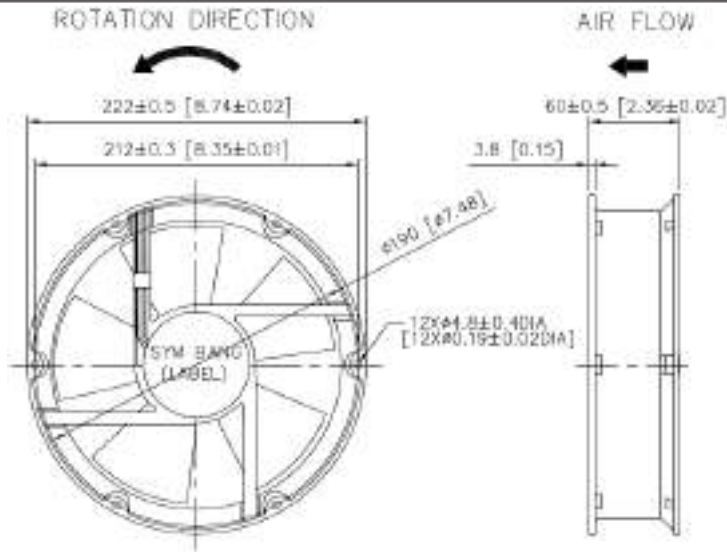
Ø220X60mm(Ø8.66"x2.36")



HOUSING Aluminum Die Casting, Painted Black  
 IMPELLER Thermoplastic PBT, UL94V-0  
 BEARING Ball  
 OPERATING TEMPERATURE -10°C to + 70°C  
 INSULATION Class A  
 OPERATING VOLTAGE RANGE 100 VAC to 125 VAC for 110V Type  
 200 VAC to 240 VAC for 220V Type  
 DIELECTRIC STRENGTH 5mA Max. at 1500 VAC for 1 second  
 INSULATION RESISTANCE 10M Ω min. @500 VDC  
 MOTOR TYPE AC Induction Capacitor Motor  
 SAFETY Thermally Protected  
 TERMINATION Terminals or Lead Wire  
 WEIGHT 1.6 kg  
 ROHS COMPLIANCE Yes  
 IP LEVEL IP21 (Special IP Rating On Request)

# 220 mm

## DIMENSION

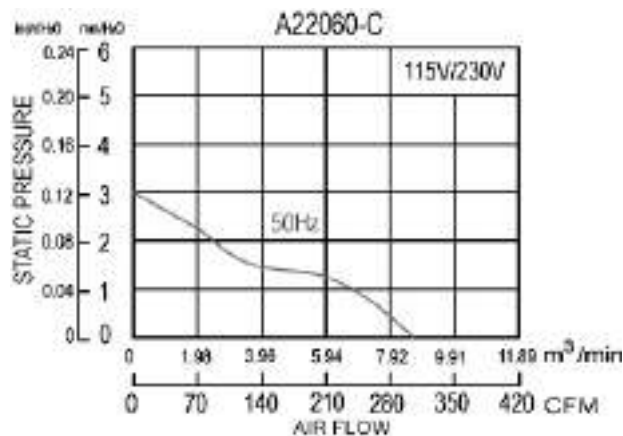


UNIT: mm[inch]

## SPECIFICATION

MODEL NO.	RATED VOLTAGE (V)	FREQUENCY (Hz)	RATED CURRENT (A)	INPUT POWER (W)	SPEED (RPM)	MAX. AIR PRESSURE		MAX. AIR FLOW		NOISE dB(A) @1M
						inch/H2O	mm/H2O	CFM	m3/min	
A22060V1HB-B	110	50/60	0.42	42	2600/2900	0.83/0.95	21/24	406/465	11.5/13.2	62/68
A22060V2HB-B	220	50/60	0.2	40	2600/2900	0.83/0.95	21/24	406/465	11.5/13.2	62/68


## AIR PERFORMANCE





**A**

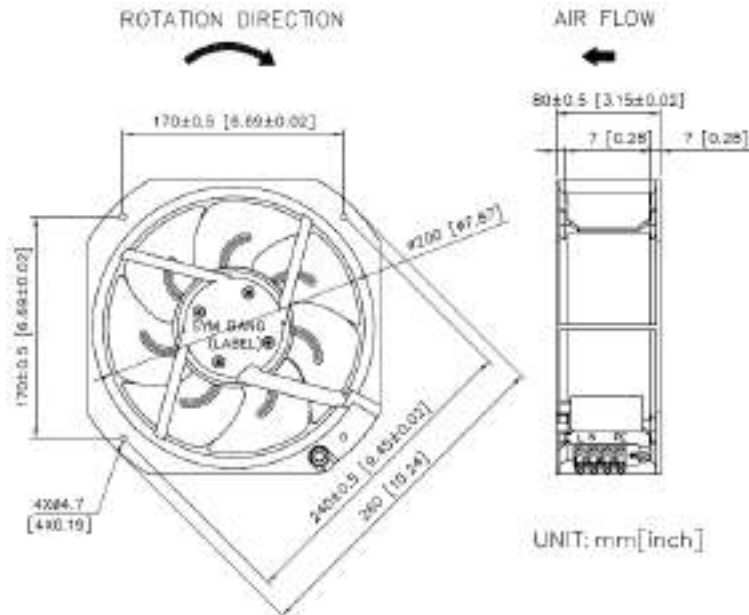
# 22580M-7B


  
 225X225X80mm(8.86"x8.86"x3.15")


HOUSING Aluminum Die Casting, Painted Black  
 IMPELLER Iron Leaf  
 BEARING Ball  
 OPERATING TEMPERATURE -10°C to + 105°C  
 INSULATION Class A  
 OPERATING VOLTAGE RANGE 100 VAC to 125 VAC for 115V Type  
 200 VAC to 240 VAC for 220V Type  
 DIELECTRIC STRENGTH 5mA Max. at 1500 VAC for 1 second  
 INSULATION RESISTANCE 10M  $\Omega$  min. @500 VDC  
 MOTOR TYPE Outer Rotor, AC Induction Capacitor Motor  
 SAFETY Thermally Protected  
 TERMINATION Terminal Block  
 WEIGHT 2.15 kg  
 ROHS COMPLIANCE Yes  
 IP LEVEL IP21 (Special IP Rating On Request)

# 225 mm

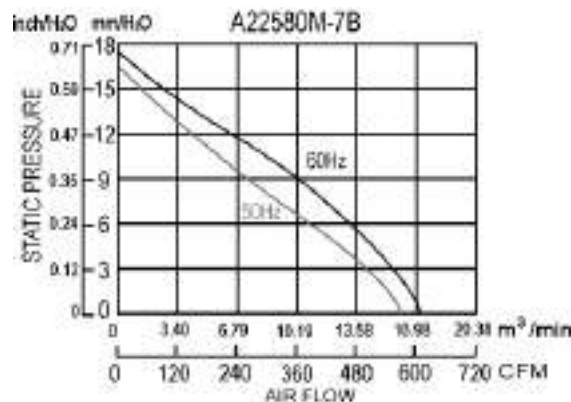
## DIMENSION



## SPECIFICATION

MODEL NO.	RATED VOLTAGE (V)	FREQUENCY (Hz)	RATED CURRENT (A)	INPUT POWER (W)	SPEED (RPM)	MAX. AIR PRESSURE		MAX. AIR FLOW		NOISE dB(A) @1M
						inch/H <sub>2</sub> O	mm/H <sub>2</sub> O	CFM	m <sup>3</sup> /min	
A22580V1HBTM-7B	110	50/60	0.68/0.65	67/77	2700/3000	0.65/0.69	16.5/17.5	545/607	15.4/17.2	59/61
A22580V2HBTM-7B	220	50/60	0.35/0.28	62/80	2700/3000	0.65/0.69	16.5/17.5	545/607	15.4/17.2	59/61
A22580V3HBTM-7B	380	50/60	0.32	80	2700/3000	0.65/0.69	16.5/17.5	545/607	15.4/17.2	59/61

## AIR PERFORMANCE



# A

# 22580M-DA

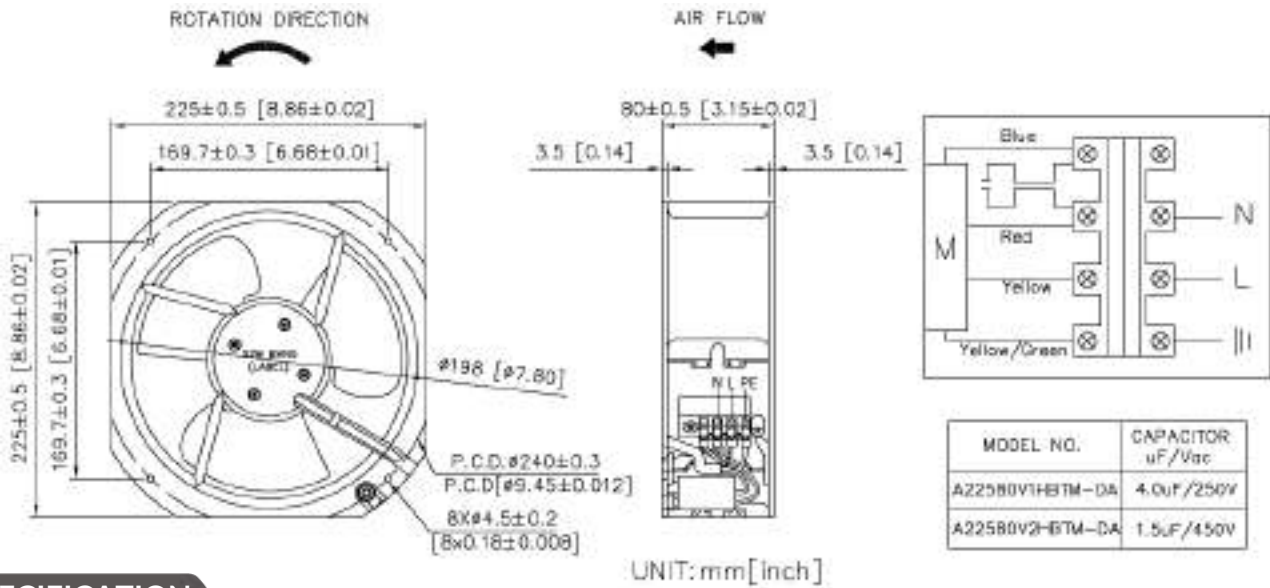
# CE

  
225X225X80mm(8.86"x8.86"x3.15")

HOUSING Aluminum Die Casting  
 IMPELLER Metal  
 BEARING Ball  
 OPERATING TEMPERATURE -20°C to + 70°C  
 OPERATING VOLTAGE RANGE 85 VAC to 125 VAC for 115V Type  
 185 VAC to 240 VAC for 230V Type  
 DIELECTRIC STRENGTH 5mA Max. at 1800 VAC for 1 second  
 INSULATION RESISTANCE 10M  $\Omega$  min. @500 VDC  
 MOTOR TYPE AC Induction Capacitor Motor  
 SAFETY Thermally Protected  
 TERMINATION Terminal Block  
 WEIGHT 2.75 kg  
 ROHS COMPLIANCE Yes  
 IP LEVEL IP54 (Special IP Rating On Request)

# 225 mm

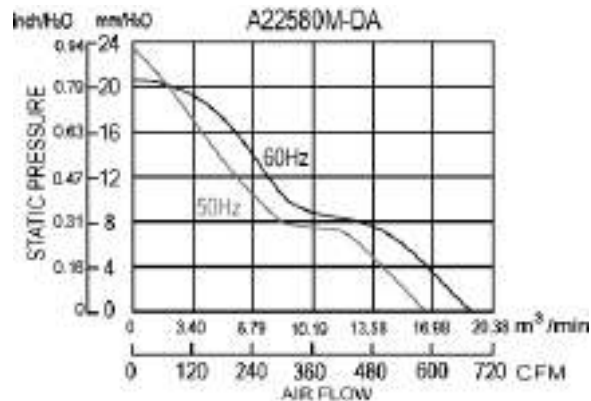
## DIMENSION



## SPECIFICATION

MODEL NO.	RATED VOLTAGE (V)	FREQUENCY (Hz)	RATED CURRENT (A)	INPUT POWER (W)	SPEED (RPM)	MAX. AIR PRESSURE inch/H2O	MAX. AIR PRESSURE mm/H2O	MAX. AIR FLOW CFM	MAX. AIR FLOW m3/min	NOISE dB(A) @1M
A22580V1HBTM-DA	115	50/60	0.61/0.62	53.0/68.0	2800/3200	0.93/0.81	23.5/20.5	580/670	16.41/18.96	68/71
A22580V2HBTM-DA	230	50/60	0.26/0.31	53.0/68.0	2800/3200	0.93/0.81	23.5/20.5	580/670	16.41/18.96	68/71

## AIR PERFORMANCE



# A

# 22580M-F

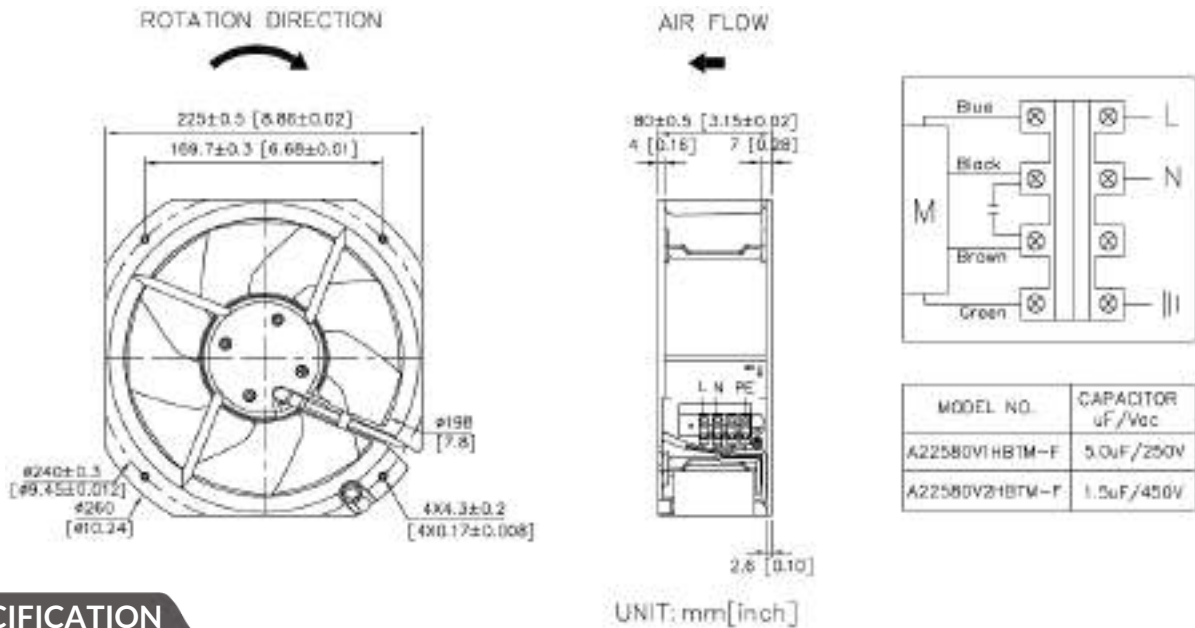
225X225X80mm(8.86"x8.86"x3.15")



- HOUSING: Aluminum Die Casting
- IMPELLER: Metal
- BEARING: Ball
- OPERATING TEMPERATURE: -10°C to + 70°C
- INSULATION: Class A
- OPERATING VOLTAGE RANGE: 85 VAC to 125 VAC for 115V Type  
185 VAC to 245 VAC for 230V Type
- DIELECTRIC STRENGTH: 5mA Max. at 1500 VAC for 1 second
- INSULATION RESISTANCE: 10M  $\Omega$  min. @500 VDC
- MOTOR TYPE: AC Induction Capacitor Motor
- SAFETY: Thermally Protected
- TERMINATION: Terminal Block
- WEIGHT: 2.1 kg
- ROHS COMPLIANCE: Yes
- IP LEVEL: IP21 (Special IP Rating On Request)

# 225 mm

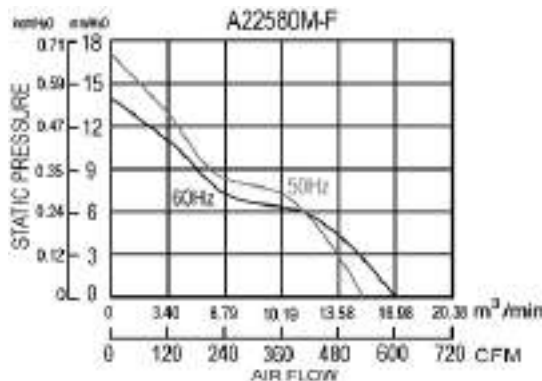
## DIMENSION



## SPECIFICATION

MODEL NO.	RATED VOLTAGE (V)	FREQUENCY (Hz)	RATED CURRENT (A)	INPUT POWER (W)	SPEED (RPM)	MAX. AIR PRESSURE		MAX. AIR FLOW		NOISE dB(A)@1M
						inch/H <sub>2</sub> O	mm/H <sub>2</sub> O	CFM	m <sup>3</sup> /min	
A22580V1HBTM-F	115	50/60	0.58/0.70	65/72	2550/2800	0.67/0.55	17/14	530/600	15/17	59/61
A22580V2HBTM-F	230	50/60	0.29/0.35	74/80	2550/2800	0.67/0.55	17/14	530/600	15/17	59/61

## AIR PERFORMANCE



# A

# 25089-S

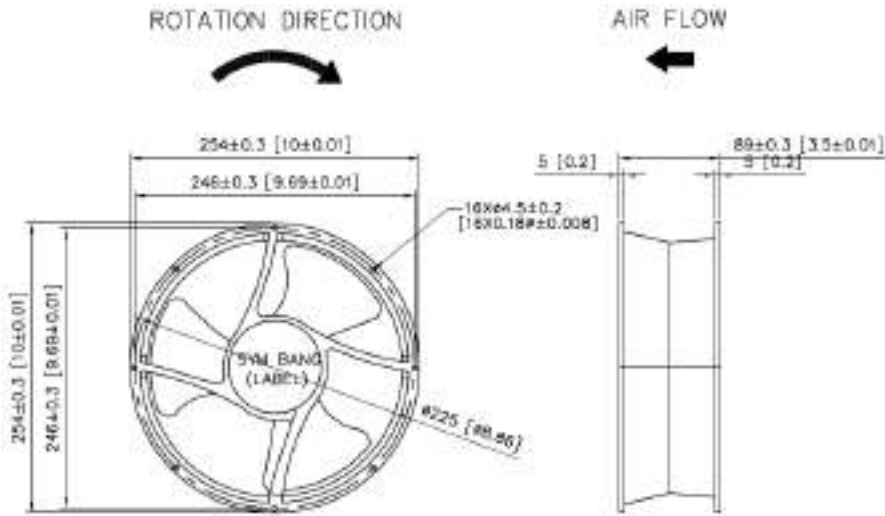
## Ø254X89mm(Ø10"x3.50")



HOUSING Aluminum Die Casting, Painted Black  
 IMPELLER Thermoplastic PBT, UL94V-0  
 BEARING Ball  
 OPERATING TEMPERATURE -10°C to + 70°C  
 INSULATION Class A  
 OPERATING VOLTAGE RANGE 100 VAC to 120 VAC for 115V Type  
 200 VAC to 240 VAC for 230V Type  
 DIELECTRIC STRENGTH 5mA Max. at 1500 VAC for 1 second  
 INSULATION RESISTANCE 10M Ω min. @500 VDC  
 MOTOR TYPE AC Induction Capacitor Motor  
 SAFETY Thermally Protected  
 TERMINATION Terminals or Lead Wire  
 WEIGHT 2.2 kg  
 ROHS COMPLIANCE Yes  
 OPTIONAL FUNCTION FG, RD  
 IP LEVEL IP21 (Special IP Rating On Request)

# 254 mm

### DIMENSION

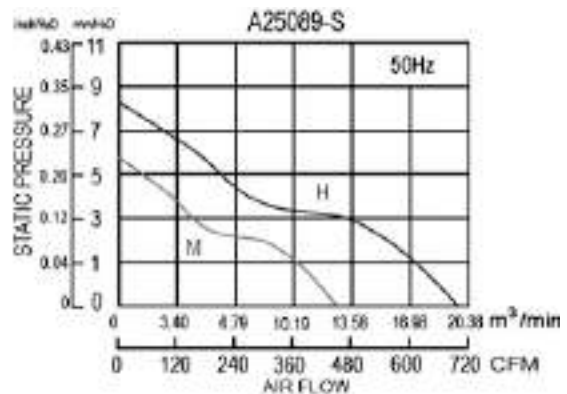
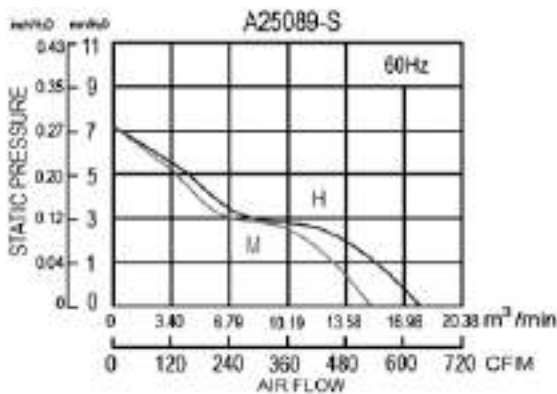


UNIT: mm[inch]

### SPECIFICATION

MODEL NO.	RATED VOLTAGE (V)	FREQUENCY (Hz)	RATED CURRENT (A)	INPUT POWER (W)	SPEED (RPM)	MAX. AIR PRESSURE		MAX. AIR FLOW		NOISE dB(A) @1M
						inch/H <sub>2</sub> O	mm/H <sub>2</sub> O	CFM	m <sup>3</sup> /min	
A25089V1HB-S	115	50/60	0.579/0.673	69.0/79.5	2100/1800	0.32/0.28	8.25/7.15	700/630	20.2/17.8	61/58
A25089V1MB-S	115	50/60	0.219/0.232	24.3/28.1	1400/1600	0.22/0.28	5.80/7.10	450/520	12.7/14.9	52/59
A25089V2HB-S	230	50/60	0.259/0.296	63.2/72.2	2100/1800	0.32/0.28	8.25/7.15	700/630	20.2/17.8	61/58
A25089V2MB-S	230	50/60	0.136/0.122	28.4/29.3	1400/1600	0.22/0.28	5.80/7.10	450/520	12.7/14.9	52/59

### AIR PERFORMANCE



# A

# 25089M-DA

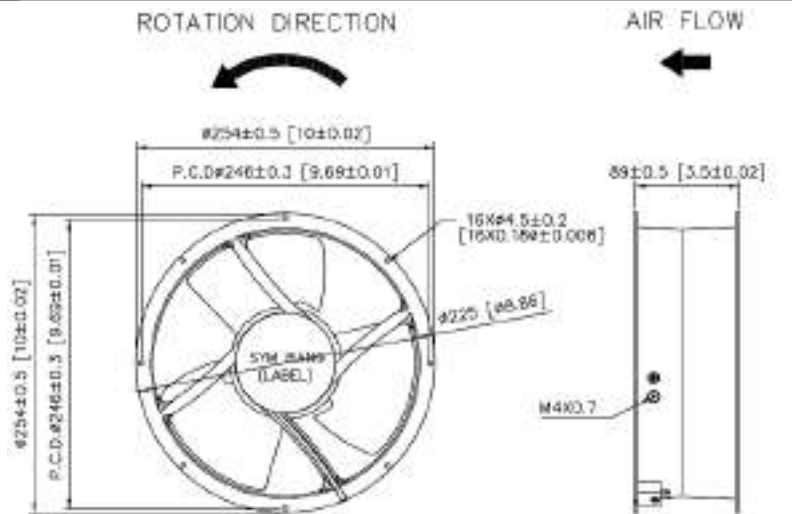
Ø254X89mm(Ø10"x3.50")



- HOUSING Aluminum Die Casting, Painted Black
- IMPELLER Metal
- BEARING Ball
- OPERATING TEMPERATURE -20°C to + 70°C
- INSULATION Class A
- OPERATING VOLTAGE RANGE 85 VAC to 125 VAC for 115V Type  
185 VAC to 245 VAC for 230V Type
- DIELECTRIC STRENGTH 5mA Max. at 1800 VAC for 1 second
- INSULATION RESISTANCE 10M Ω min. @500 VDC
- MOTOR TYPE AC Induction Capacitor Motor
- SAFETY Thermally Protected
- TERMINATION Terminals or Lead Wire
- WEIGHT 2.75 kg
- ROHS COMPLIANCE Yes
- IP LEVEL IP54 (Special IP Rating On Request)

# 254 mm

## DIMENSION

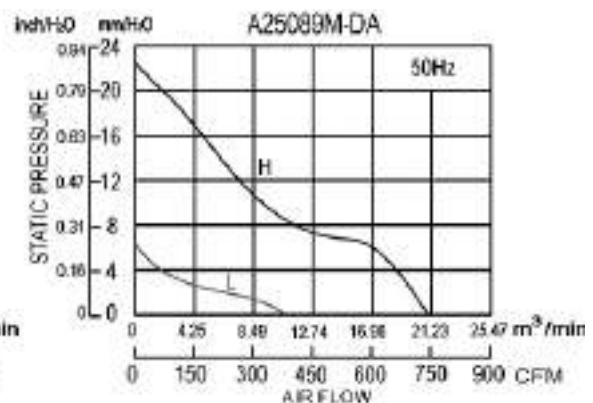
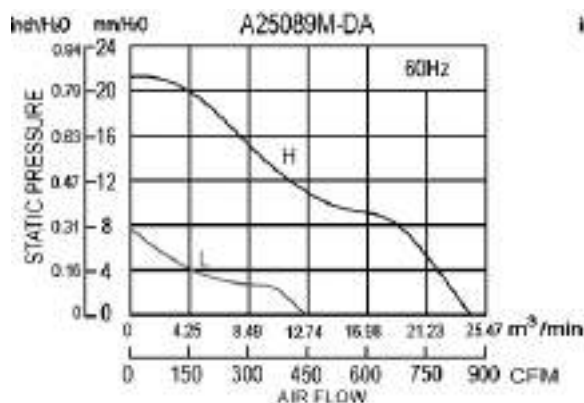


UNIT: mm[inch]

## SPECIFICATION

MODEL NO.	RATED VOLTAGE (V)	FREQUENCY (Hz)	RATED CURRENT (A)	INPUT POWER (W)	SPEED (RPM)	MAX. AIR PRESSURE		MAX. AIR FLOW		NOISE dB(A) @1M
						inch/H <sub>2</sub> O	mm/H <sub>2</sub> O	CFM	m <sup>3</sup> /min	
A25089V1HBM-DA	115	50/60	0.59/0.86	66.0/95.0	2800/3200	0.89/0.85	22.5/21.5	740/860	20.9/24.3	66/68
A25089V1LBM-DA	115	50/60	0.21/0.24	24.0/26.0	1400/1650	0.25/0.31	6.3/7.9	370/440	10.5/12.5	52/54
A25089V2HBM-DA	230	50/60	0.28/0.43	66.0/95.0	2800/3200	0.89/0.85	22.5/21.5	740/860	20.9/24.3	66/68
A25089V2LBM-DA	230	50/60	0.11/0.12	24.0/26.0	1400/1650	0.25/0.31	6.3/7.9	370/440	10.5/12.5	52/54

## AIR PERFORMANCE





# A

# 28080M-DA

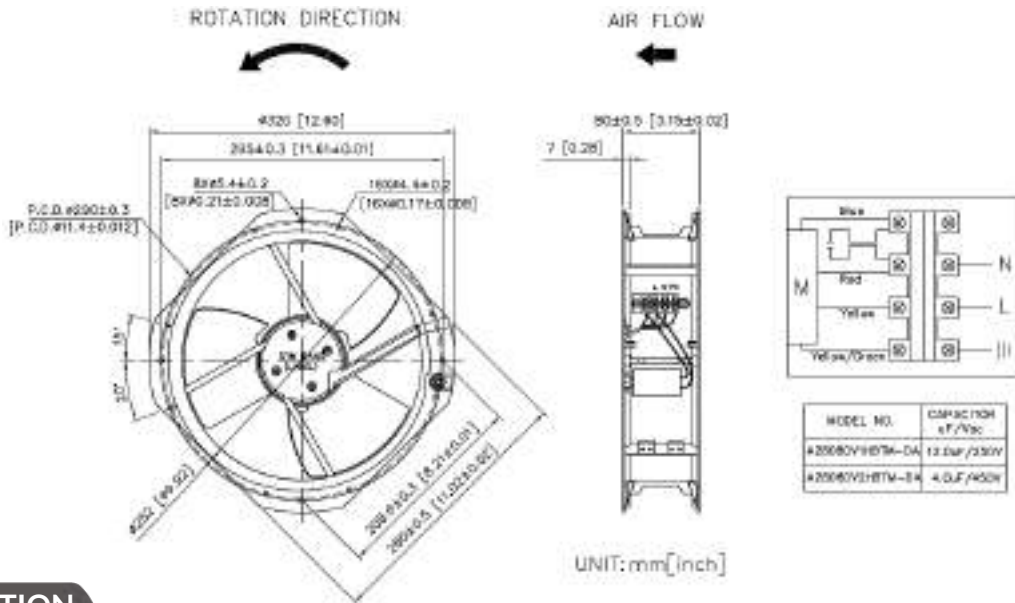
280X280X80mm  
(11.02"x11.02"x3.15")



HOUSING	Aluminum Die Casting
IMPELLER	Metal
BEARING	Ball
OPERATING TEMPERATURE	-20°C to + 70°C
INSULATION	Class F
OPERATING VOLTAGE RANGE	85 VAC to 125 VAC for 115V Type 185 VAC to 245 VAC for 230V Type
DIELECTRIC STRENGTH	5mA Max. at 1800 VAC for 1 second
INSULATION RESISTANCE	10M $\Omega$ min. @500 VDC
MOTOR TYPE	AC Induction Capacitor Motor
SAFETY	Thermally Protected
TERMINATION	Terminal Block
WEIGHT	3.05 kg
ROHS COMPLIANCE	Yes
IP LEVEL	IP54 (Special IP Rating On Request)

# 280 mm

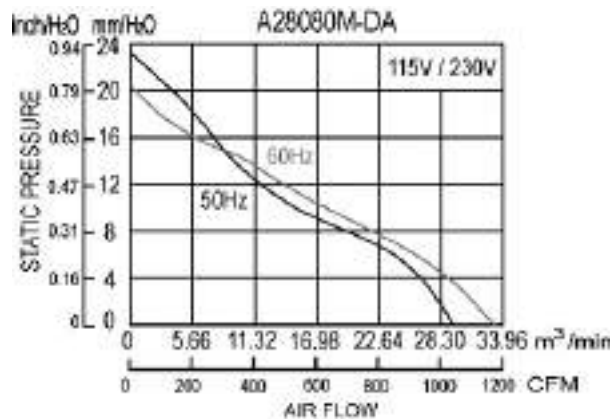
## DIMENSION



## SPECIFICATION

MODEL NO.	RATED VOLTAGE (V)	FREQUENCY (Hz)	RATED CURRENT (A)	INPUT POWER (W)	SPEED (RPM)	MAX. AIR PRESSURE		MAX. AIR FLOW		NOISE dB(A) @1M
						inch/H <sub>2</sub> O	mm/H <sub>2</sub> O	CFM	m <sup>3</sup> /min	
A28080V1HBTM-DA	115	50/60	0.81/1.20	94.0/136.0	2650/2900	0.925/0.80	23.5/20.5	1030/1150	29.1/32.54	70/73
A28080V2HBTM-DA	230	50/60	0.43/0.63	95.0/138.0	2650/2900	0.925/0.80	23.5/20.5	1030/1150	29.1/32.54	70/73

## AIR PERFORMANCE



# A

# 28080M-F

# CE

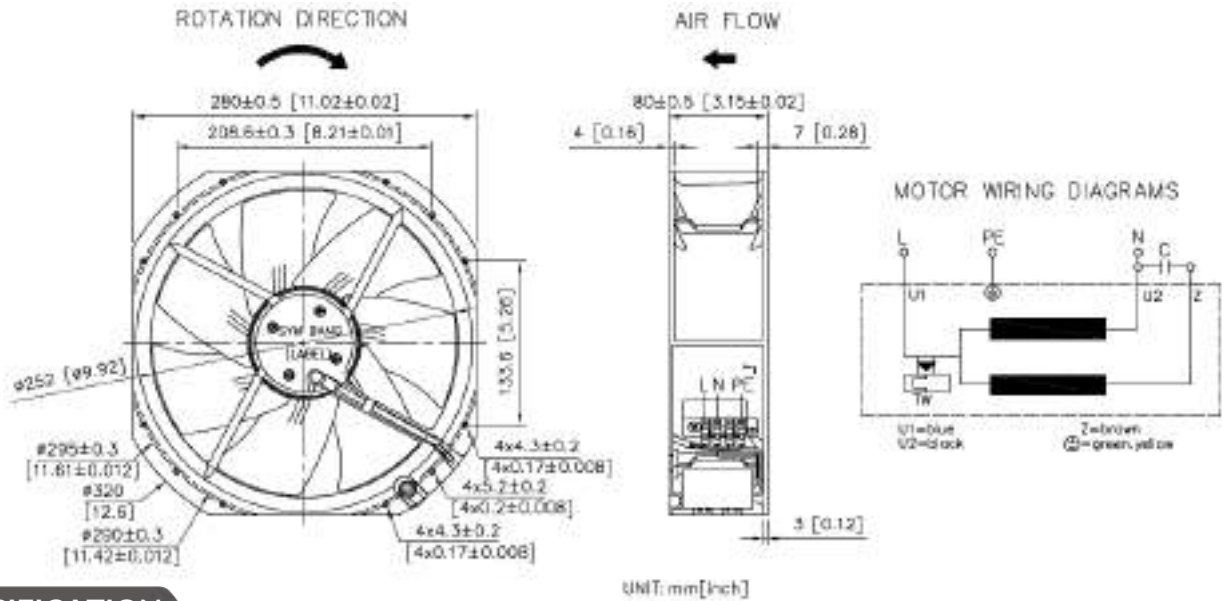
280X280X80mm(11.02"x11.02"x3.15")



- HOUSING: Aluminum Die Casting
- IMPELLER: Metal
- BEARING: Ball
- OPERATING TEMPERATURE: -10°C to + 70°C
- INSULATION: Class A
- OPERATING VOLTAGE RANGE: 85 VAC to 125 VAC for 115V Type  
185 VAC to 245 VAC for 230V Type
- DIELECTRIC STRENGTH: 5mA Max. at 1500 VAC for 1 second
- INSULATION RESISTANCE: 10M  $\Omega$  min. @500 VDC
- MOTOR TYPE: AC Induction Capacitor Motor
- SAFETY: Thermally Protected
- TERMINATION: Terminal Block
- WEIGHT: 2.8 kg
- ROHS COMPLIANCE: Yes
- IP LEVEL: IP21 (Special IP Rating On Request)

# 280 mm

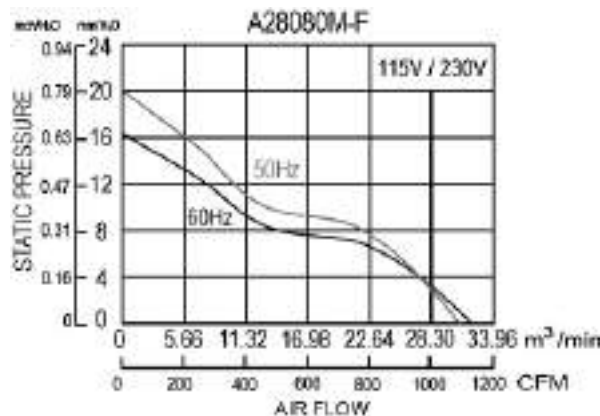
## DIMENSION



## SPECIFICATION

MODEL NO.	RATED VOLTAGE (V)	FREQUENCY (Hz)	RATED CURRENT (A)	INPUT POWER (W)	SPEED (RPM)	MAX. AIR PRESSURE inch/H2O mm/H2O	MAX. AIR FLOW CFM m3/min	NOISE dB(A) @1M
A28080V1HBTM-F	115	50/60	1.00/1.50	112/148	2550/2700	0.78/0.65 20.0/16.5	1090/1130 31/32	68/70
A28080V2HBTM-F	230	50/60	0.59/0.82	119/158	2550/2700	0.78/0.65 20.0/16.5	1090/1130 31/32	68/70

## AIR PERFORMANCE



AC Fans & Blowers

# A

# 28089

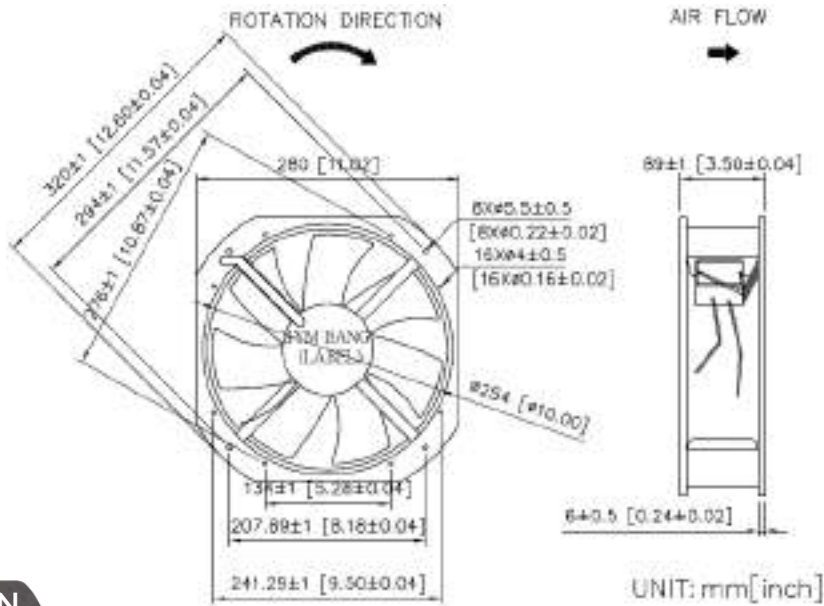
## 280X280X89mm(11.02"x11.02"x3.5")



HOUSING Aluminum Die Casting, Painted Black  
 IMPELLER Thermoplastic PBT, UL94V-0  
 BEARING Ball  
 OPERATING TEMPERATURE -10°C to + 70°C  
 INSULATION Class A  
 OPERATING VOLTAGE RANGE 100 VAC to 120 VAC for 115V Type  
 200 VAC to 240 VAC for 230V Type  
 DIELECTRIC STRENGTH 5mA Max. at 1500 VAC for 1 second  
 INSULATION RESISTANCE 10M  $\Omega$  min. @500 VDC  
 MOTOR TYPE AC Induction Capacitor Motor  
 SAFETY Thermally Protected  
 TERMINATION Terminals or Lead Wire  
 WEIGHT 3.85 kg  
 ROHS COMPLIANCE Yes  
 IP LEVEL IP21 (Special IP Rating On Request)

# 280 mm

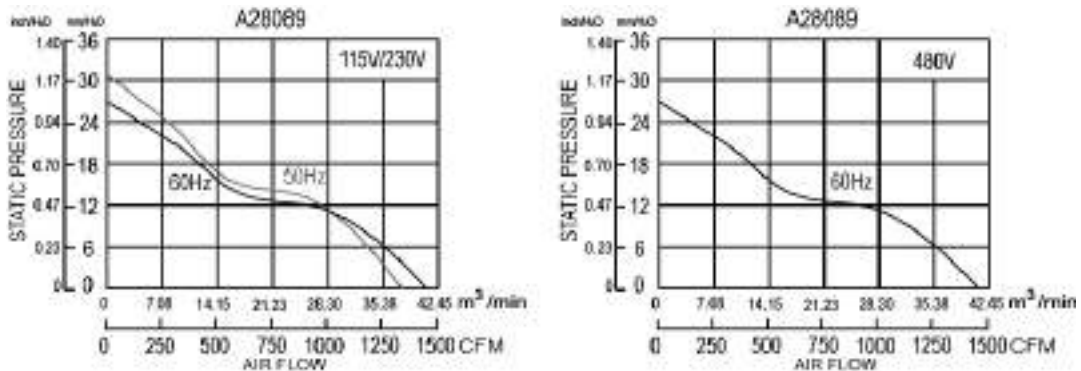
### DIMENSION



### SPECIFICATION

MODEL NO.	RATED VOLTAGE (V)	FREQUENCY (Hz)	RATED CURRENT (A)	INPUT POWER (W)	SPEED (RPM)	MAX. AIR PRESSURE		MAX. AIR FLOW		NOISE dB(A) @1M
						inch/H <sub>2</sub> O	mm/H <sub>2</sub> O	CFM	m <sup>3</sup> /min	
A28089V1H	115	50/60	1.80/2.50	196/273	2800/3250	1.24/1.06	31.59/26.84	1320/1450	37.35/41.03	70/74
A28089V2H	230	50/60	0.80/1.29	185/290	2800/3200	1.30/0.94	33.00/24.00	1380/1480	39.10/41.90	73/75
A28089V4H	480	60	0.58	275	3250	1.06	26.84	1450	41.03	74

### AIR PERFORMANCE



# AB 12137

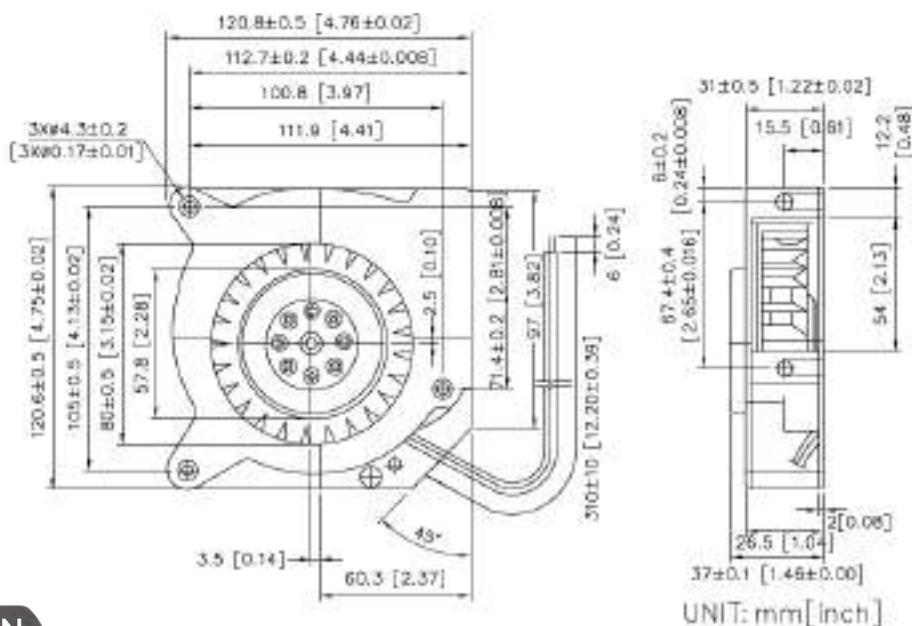
121X121X37mm(4.76"x4.76"x1.46")



- HOUSING: Spiral Housing of Fiberglass-Reinforced Polycarbonate  
Housing Base of Galvanized Steel Plate
- IMPELLER: Thermoplastic PBT, UL94V-0
- BEARING: Ball or Sleeve
- OPERATING TEMPERATURE: -10°C to + 70°C
- INSULATION: Class A
- OPERATING VOLTAGE RANGE: 85 VAC to 125 VAC for 115V Type  
185 VAC to 245 VAC for 230V Type
- DIELECTRIC STRENGTH: 5mA Max. at 1500 VAC for 1 second
- INSULATION RESISTANCE: 10M  $\Omega$  min. @500 VDC
- MOTOR TYPE: Shaded Pole Motor
- SAFETY: Impedance Protected
- TERMINATION: Lead Wire
- WEIGHT: 625 g
- ROHS COMPLIANCE: Yes
- IP LEVEL: IP21 (Special IP Rating On Request)

# 121 mm

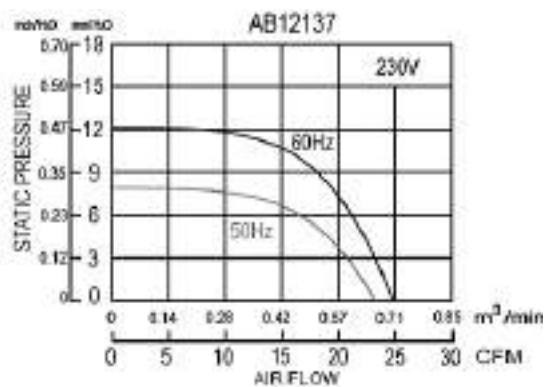
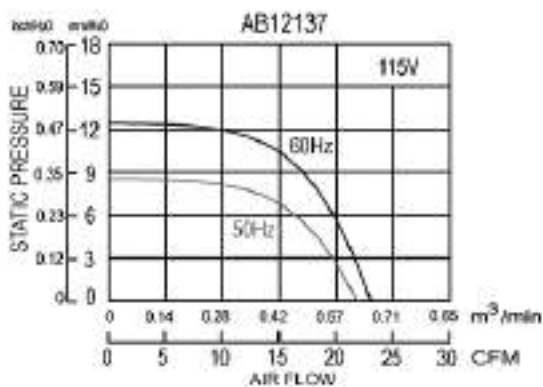
## DIMENSION



## SPECIFICATION

MODEL NO.	RATED VOLTAGE (V)	FREQUENCY (Hz)	RATED CURRENT (A)	INPUT POWER (W)	SPEED (RPM)	MAX. AIR PRESSURE		MAX. AIR FLOW		NOISE dB(A) @1M
						inch/H <sub>2</sub> O	mm/H <sub>2</sub> O	CFM	m <sup>3</sup> /min	
AB12137V1H	115	50/60	0.27/0.25	21/19	2500/2600	0.33/0.50	8.40/12.8	22/23	0.63/0.65	52/53
AB12137V2H	230	50/60	0.14/0.12	21/20	2500/2700	0.32/0.48	8.14/12.1	23/25	0.65/0.70	53/54

## AIR PERFORMANCE





# AB 18970

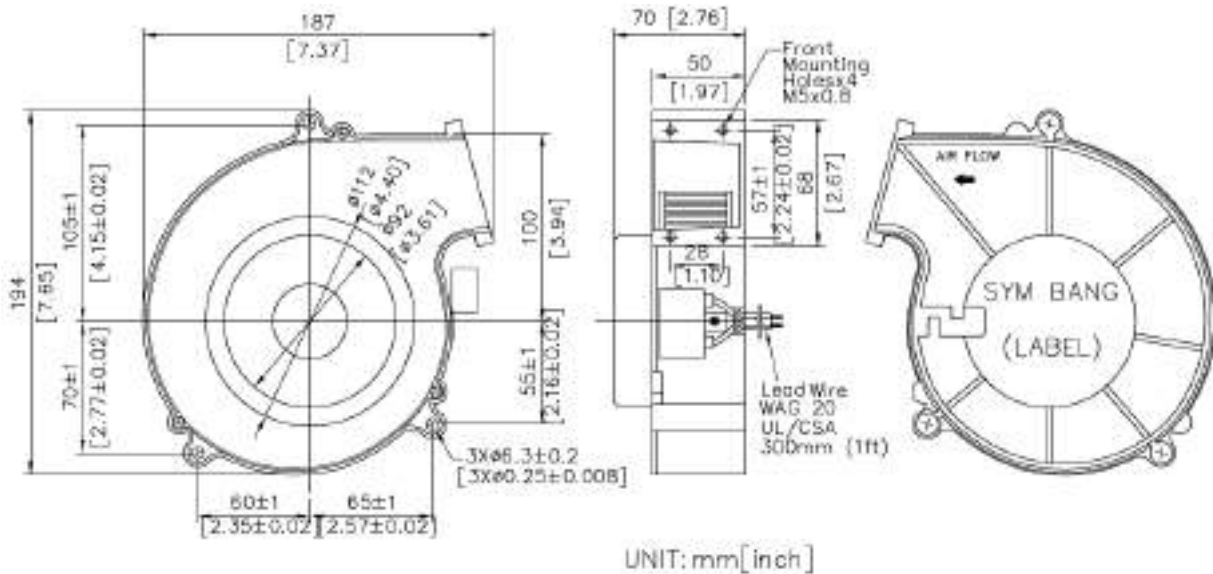
189X183X70mm(7.44"x7.20"x2.75")



HOUSING	Aluminum Die Casting, Patural, Milled or Black Painted
IMPELLER	Thermoplastic PBT+ Glass Fiber30%
BEARING	Ball
OPERATING TEMPERATURE	-10°C to + 70°C
INSULATION	Class A
OPERATING VOLTAGE RANGE	100 VAC to 120 VAC for 115V Type 200 VAC to 240 VAC for 230V Type
DIELECTRIC STRENGTH	5mA Max. at 1500 VAC for 1 second
INSULATION RESISTANCE	10M $\Omega$ min. @500 VDC
MOTOR TYPE	AC Induction Capacitor Motor
SAFETY	Thermally Protected
TERMINATION	Lead Wire
WEIGHT	1.65 kg
ROHS COMPLIANCE	Yes
IP LEVEL	IP21 (Special IP Rating On Request)

# 189 mm

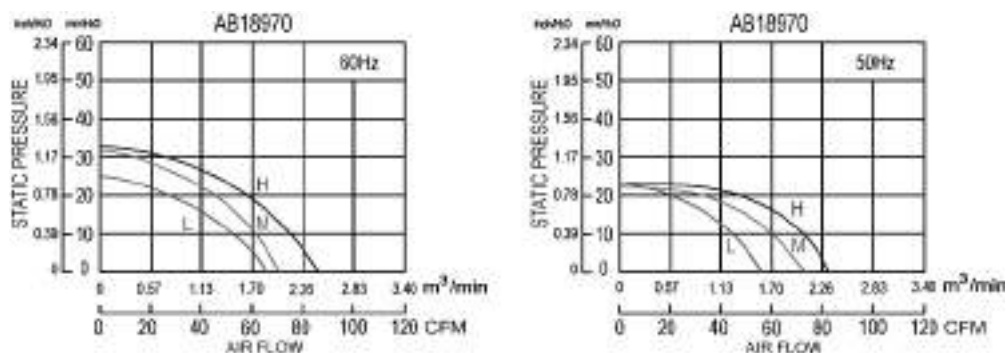
## DIMENSION



## SPECIFICATION

MODEL NO.	RATED VOLTAGE (V)	FREQUENCY (Hz)	RATED CURRENT (A)	INPUT POWER (W)	SPEED (RPM)	MAX. AIR PRESSURE		MAX. AIR FLOW		NOISE dB(A) @1M
						inch/H <sub>2</sub> O	mm/H <sub>2</sub> O	CFM	m <sup>3</sup> /min	
AB18970V1H	115	50/60	0.81/0.99	65/80	2800/3100	0.90/1.30	23/33	82/86	2.32/2.43	64/68
AB18970V1M	115	50/60	0.68/0.87	55/70	2500/2300	0.86/1.26	22/32	72/70	2.0/1.98	55/56
AB18970V1L	115	50/60	0.56/0.75	45/60	1400/1600	0.90/1.00	23/25	55/65	1.6/1.90	46/48
AB18970V2H	230	50/60	0.40/0.50	65/80	2800/3100	0.90/1.30	23/33	82/86	2.32/2.43	64/68
AB18970V2M	230	50/60	0.34/0.43	55/70	2500/2400	0.86/1.26	22/32	72/70	2.0/1.98	55/56
AB18970V2L	230	50/60	0.28/0.37	45/60	1400/1600	0.90/1.00	23/25	55/65	1.6/1.90	46/48

## AIR PERFORMANCE





# AB 22056

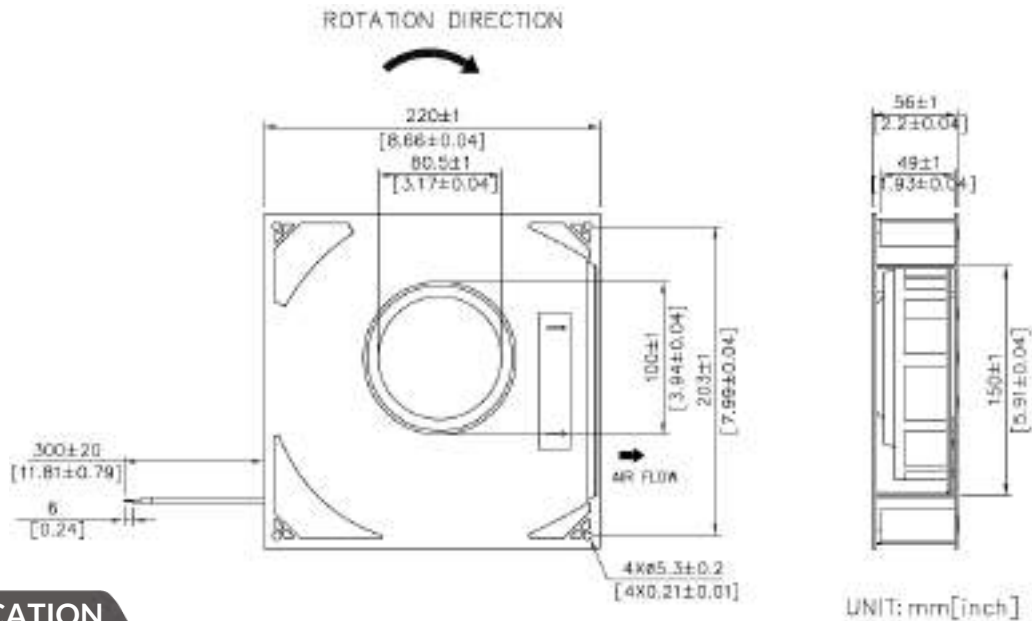
220X220X56mm(8.66"x8.66"x2.2")



- HOUSING Spiral Housing of Fiberglass Reinforced Polycarbonate Housing  
Base of Galvanized Steel Plate
- IMPELLER Fiberglass Reinforced polycarbonate
- BEARING Ball or Sleeve
- OPERATING TEMPERATURE -10°C to + 70°C
- INSULATION Class A
- OPERATING VOLTAGE RANGE 85 VAC to 125 VAC for 115V Type  
185 VAC to 245 VAC for 230V Type
- DIELECTRIC STRENGTH 5mA Max. at 1500 VAC for 1 second
- INSULATION RESISTANCE 10M  $\Omega$  min. @500 VDC
- MOTOR TYPE AC Induction Capacitor Motor
- SAFETY Thermally Protected
- TERMINATION Lead Wire
- WEIGHT 1.75kg
- ROHS COMPLIANCE Yes
- IP LEVEL IP21 (Special IP Rating On Request)

# 220 mm

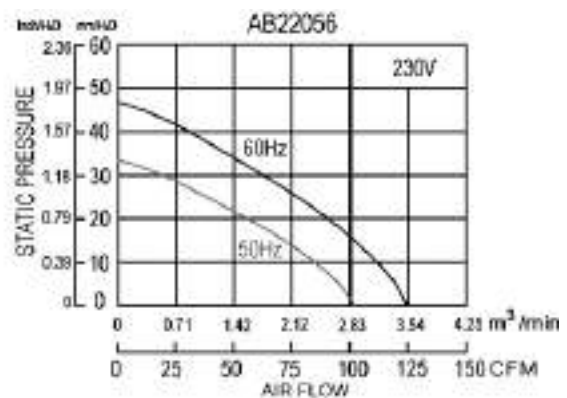
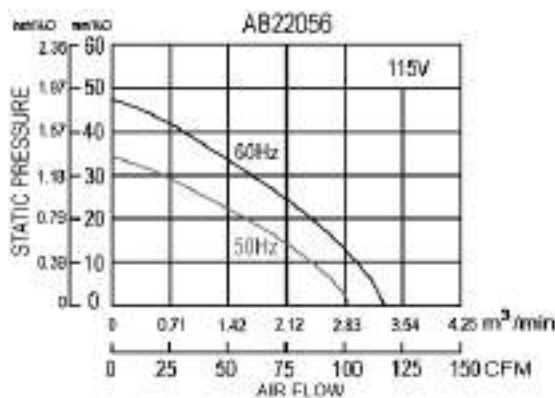
## DIMENSION



## SPECIFICATION

MODEL NO.	RATED VOLTAGE (V)	FREQUENCY (Hz)	RATED CURRENT (A)	INPUT POWER (W)	SPEED (RPM)	MAX. AIR PRESSURE		MAX. AIR FLOW		NOISE dB(A) @1M
						inch/H2O	mm/H2O	CFM	m3/min	
AB22056V1HBL	115	50/60	0.34/0.42	37/45	2900/3300	1.34/1.87	34.03/47.50	103/117	2.92/3.32	64/66
AB22056V2HBL	230	50/60	0.16/0.20	36/44	2900/3300	1.34/1.87	34.03/47.50	102.4/125	2.9/3.54	64/66

## AIR PERFORMANCE



# AB22056-F

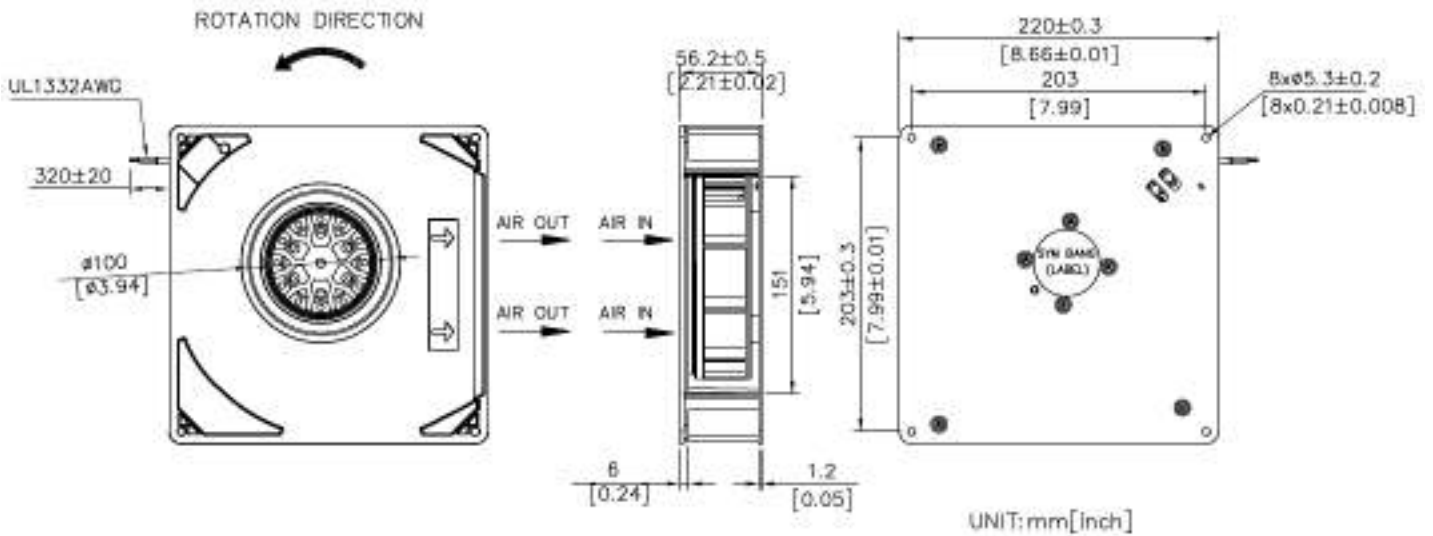
220X220X56mm(8.66"x8.66"x2.2")



HOUSING Plastic(PC+20% glass fiber)+Metal Piece  
 IMPELLER Plastic PA. Covering Glass Fiber  
 BEARING Ball or Sleeve  
 OPERATING TEMPERATURE -10°C to + 70°C  
 INSULATION Class B  
 OPERATING VOLTAGE RANGE 103 VAC to 106 VAC for 115V Type  
 207 VAC to 253 VAC for 230V Type  
 DIELECTRIC STRENGTH 5mA Max. at 1500 VAC for 1 second  
 INSULATION RESISTANCE 10M  $\Omega$  min. @500 VDC  
 MOTOR TYPE Shaded Pole Motor  
 SAFETY Thermally Protected  
 TERMINATION Lead Wire  
 WEIGHT 1.73kg  
 ROHS COMPLIANCE Yes  
 IP LEVEL IP21 (Special IP Rating On Request)

# 220 mm

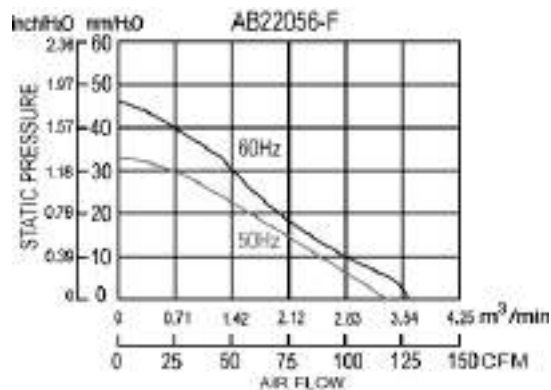
## DIMENSION



## SPECIFICATION

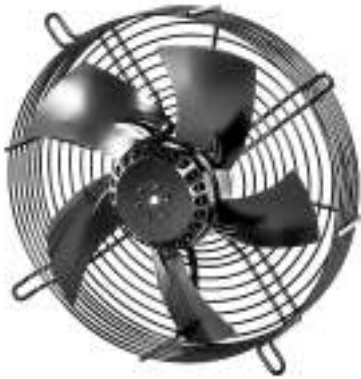
MODEL NO.	RATED VOLTAGE (V)	FREQUENCY (Hz)	RATED CURRENT (A)	INPUT POWER (W)	SPEED (RPM)	MAX. AIR PRESSURE inch/H <sub>2</sub> O    mm/H <sub>2</sub> O	MAX. AIR FLOW CFM    m <sup>3</sup> /min	NOISE dB(A) @1M
AB22056V1HBL-F	115	50/60	0.70/0.60	50/52	2700/2900	1.3/1.8    33/46	118/126    3.3/3.6	63/65
AB22056V2HBL-F	230	50/60	0.40/0.30	50/53	2700/2900	1.3/1.8    33/46	118/126    3.3/3.6	63/65

## AIR PERFORMANCE



# AF 25074-B

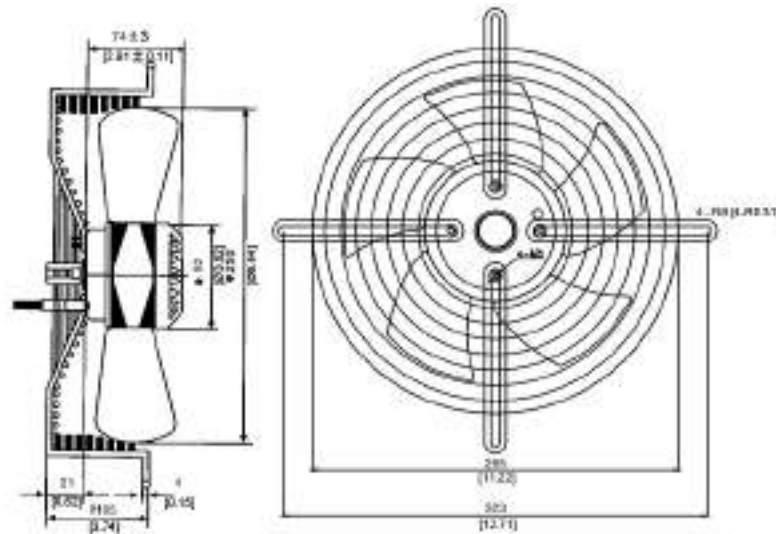
Ø250X74mm(Ø34.09"x2.91")



HOUSING Aluminum Die Casting, Painted Black  
 IMPELLER Metal  
 BEARING Ball  
 OPERATING TEMPERATURE -10°C to + 105°C  
 INSULATION Class F  
 OPERATING VOLTAGE RANGE 220 VAC/240 VAC  
 380 VAC/420 VAC  
 DIELECTRIC STRENGTH 5mA Max. at 1500 VAC for 1 second  
 INSULATION RESISTANCE 10M Ω min. @500 VDC  
 MOTOR TYPE AC Induction Capacitor Motor  
 SAFETY Impedance Protected  
 TERMINATION Lead Wire  
 WEIGHT 2.9 kg  
 ROHS COMPLIANCE Yes  
 IP LEVEL IP21 (Special IP Rating On Request)

# 250 mm

## DIMENSION

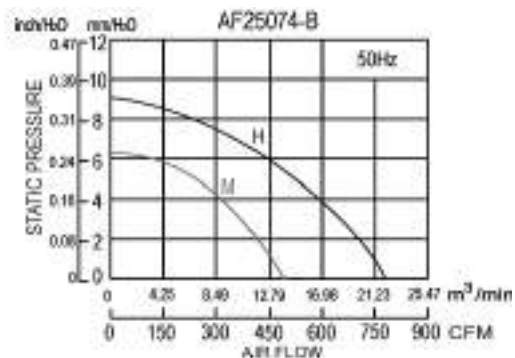
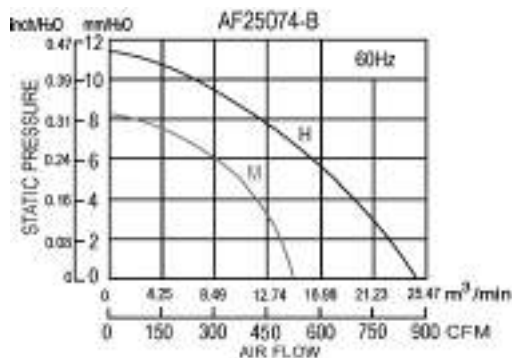


UNIT: mm (inch)

## SPECIFICATION

MODEL NO.	RATED VOLTAGE (V)	FREQUENCY (Hz)	RATED CURRENT (A)	INPUT POWER (W)	SPEED (RPM)	MAX. AIR FLOW		NOISE dB(A) @1M
						CFM	m3/min	
AF25074V2H2PS-B	220/240	50/60	0.5	100	2300/2700	776/870	21.96/24.62	68/73
AF25074V2M4PS-B	220/240	50/60	0.2	40	1300/1500	494/565	13.98/15.99	58/63
AF25074V3H2PS-B	380/420	50/60	0.35	100	2300/2700	776/870	21.96/24.62	68/73
AF25074V3H2PT-B	380/420	50/60	0.2	100	2300/2700	776/870	21.96/24.62	68/73
AF25074V3M4PS-B	380/420	50/60	0.12	40	1300/1500	494/565	13.98/15.99	58/63
AF25074V3M4PT-B	380/420	50/60	0.1	40	1300/1500	494/565	13.98/15.99	58/63

## AIR PERFORMANCE



# AF30078-B

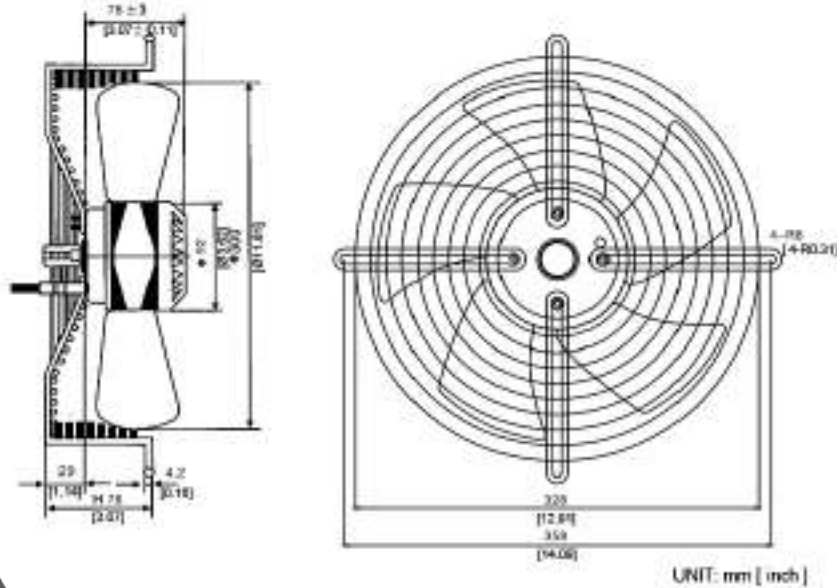
Ø300X78mm(Ø11.81"x3.07")



HOUSING	Aluminum Die Casting, Painted Black
IMPELLER	Metal
BEARING	Ball
OPERATING TEMPERATURE	-10°C to + 105°C
INSULATION	Class F
OPERATING VOLTAGE RANGE	220 VAC/240 VAC 380 VAC/420 VAC
DIELECTRIC STRENGTH	5mA Max. at 1500 VAC for 1 second
INSULATION RESISTANCE	10M $\Omega$ min. @500 VDC
MOTOR TYPE	AC Induction Capacitor Motor
SAFETY	Impedance Protected
TERMINATION	Lead Wire
WEIGHT	3.1 kg
ROHS COMPLIANCE	Yes
IP LEVEL	IP21 (Special IP Rating On Request)

# 300 mm

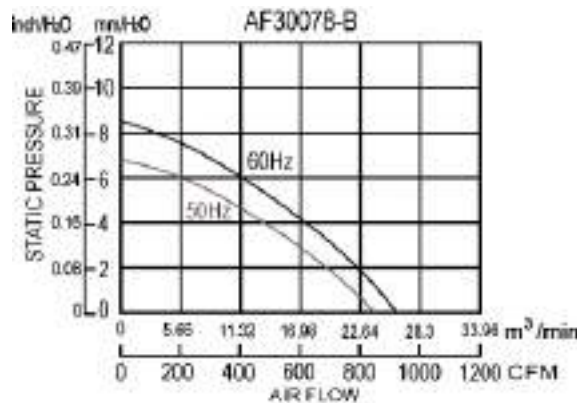
## DIMENSION



## SPECIFICATION

MODEL NO.	RATED VOLTAGE (V)	FREQUENCY (Hz)	RATED CURRENT (A)	INPUT POWER (W)	SPEED (RPM)	MAX. AIR FLOW		NOISE dB(A) @1M
						CFM	m3/min	
AF30078V2M4PS-B	220/240	50/60	0.40	80	1300/1500	847/931	23.97/26.35	65/68
AF30078V3M4PS-B	380/420	50/60	0.25	80	1300/1500	847/931	23.97/26.35	65/68
AF30078V3M4PT-B	380/420	50/60	0.22	80	1300/1500	847/931	23.97/26.35	65/68

## AIR PERFORMANCE





# AF 350108-B



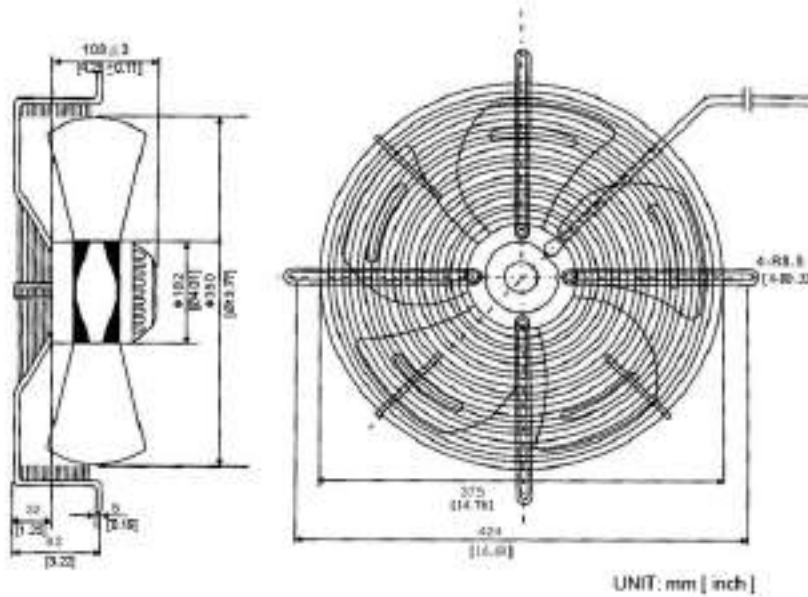
Ø350X108mm(Ø13.78"x4.25")



HOUSING Aluminum Die Casting, Painted Black  
 IMPELLER Metal  
 BEARING Ball  
 OPERATING TEMPERATURE -10°C to + 105°C  
 INSULATION Class F  
 OPERATING VOLTAGE RANGE 220 VAC/240 VAC  
 380 VAC/420 VAC  
 DIELECTRIC STRENGTH 5mA Max. at 1500 VAC for 1 second  
 INSULATION RESISTANCE 10M Ω min. @500 VDC  
 MOTOR TYPE AC Induction Capacitor Motor  
 SAFETY Impedance Protected  
 TERMINATION Lead Wire  
 WEIGHT 3.1 kg  
 ROHS COMPLIANCE Yes  
 IP LEVEL IP21 (Special IP Rating On Request)

# 350 mm

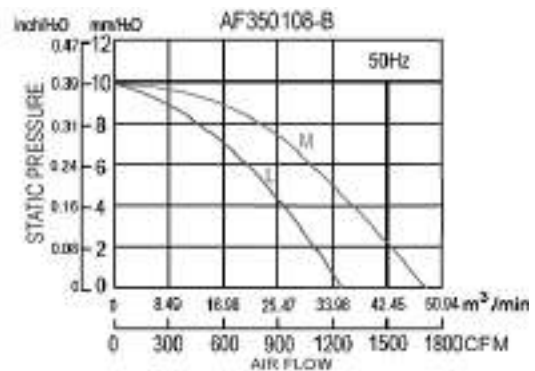
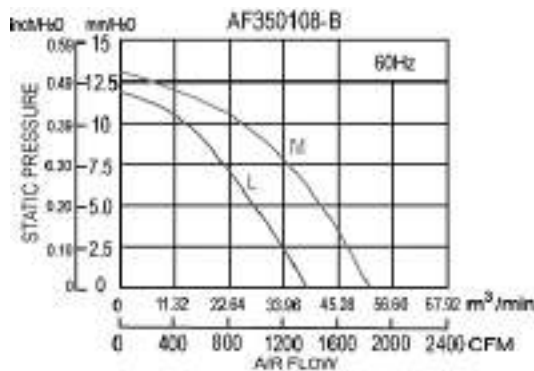
## DIMENSION



## SPECIFICATION

MODEL NO.	RATED VOLTAGE (V)	FREQUENCY (Hz)	RATED CURRENT (A)	INPUT POWER (W)	SPEED (RPM)	MAX. AIR FLOW		NOISE dB(A) @1M
						CFM	m3/min	
AF350108V2M4PS-B	220/240	50/60	0.5/0.6	110/135	1360/1500	1695/1836	47.97/51.96	62/65
AF350108V2L6PS-B	220/240	50/60	0.42	91	950/1050	1235/1353	34.95/38.29	56/60
AF350108V3M4PS-B	380/420	50/60	0.40	150	1360/1500	1695/1836	47.97/51.96	62/65
AF350108V3M4PT-B	380/420	50/60	0.35	150	1360/1500	1695/1836	47.97/51.96	62/65
AF350108V3L6PS-B	380/420	50/60	0.35	91	950/1050	1235/1353	34.95/38.29	56/60
AF350108V3L6PT-B	380/420	50/60	0.30	91	950/1050	1235/1353	34.95/38.29	56/60

## AIR PERFORMANCE





# AF400121-B

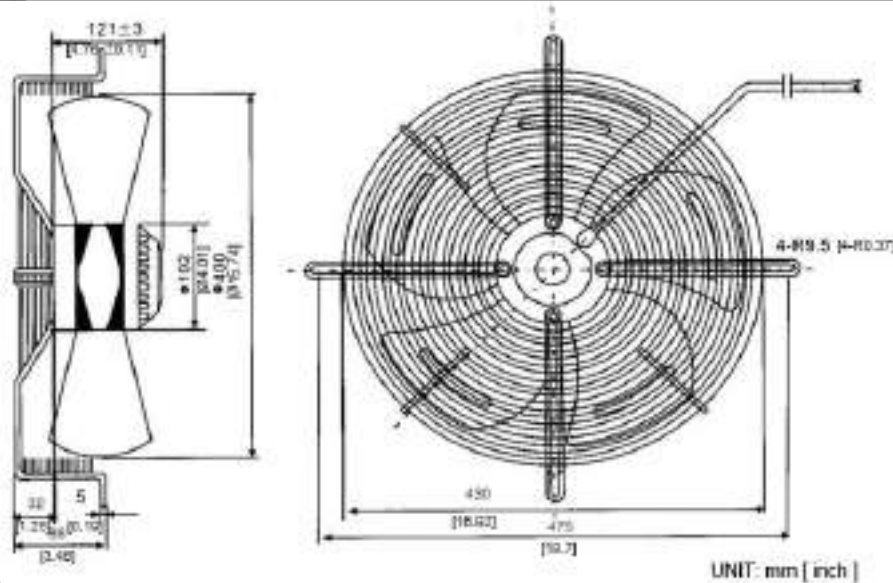
Ø400X121mm(Ø15.75"x4.76")



HOUSING	Aluminum Die Casting, Painted Black
IMPELLER	Metal
BEARING	Ball
OPERATING TEMPERATURE	-10°C to + 105°C
INSULATION	Class F
OPERATING VOLTAGE RANGE	220 VAC/240 VAC 380 VAC/420 VAC
DIELECTRIC STRENGTH	5mA Max. at 1500 VAC for 1 second
INSULATION RESISTANCE	10M Ω min. @500 VDC
MOTOR TYPE	AC Induction Capacitor Motor
SAFETY	Impedance Protected
TERMINATION	Lead Wire
WEIGHT	5.6 kg
ROHS COMPLIANCE	Yes
IP LEVEL	IP21 (Special IP Rating On Request)

# 400 mm

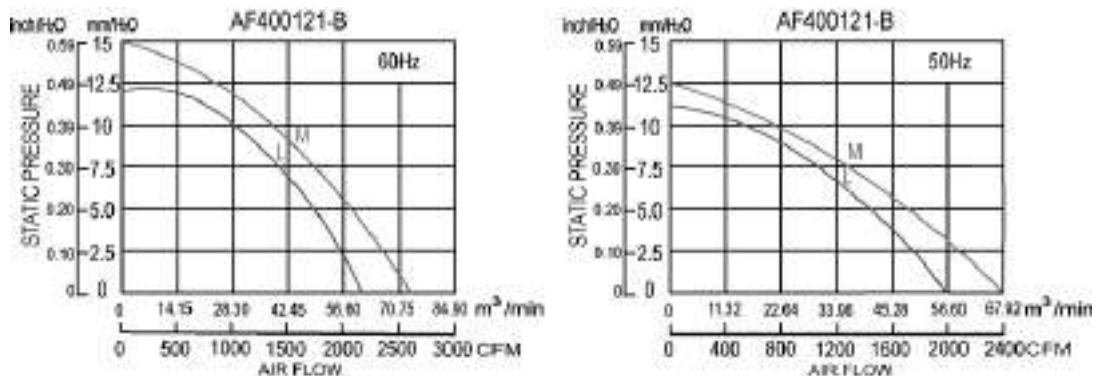
## DIMENSION



## SPECIFICATION

MODEL NO.	RATED VOLTAGE (V)	FREQUENCY (Hz)	RATED CURRENT (A)	INPUT POWER (W)	SPEED (RPM)	MAX. AIR FLOW		NOISE dB(A) @1M
						CFM	m3/min	
AF400121V2M4PS-B	220/240	50/60	0.80	180	1400/1560	2400/2589	67.92/73.27	68/70
AF400121V2L6PS-B	220/240	50/60	0.50	112	950/1050	1977/2130	55.95/60.28	58/61
AF400121V3M4PS-B	380/420	50/60	0.45	180	1400/1560	2400/2589	67.92/73.27	68/70
AF400121V3M4PT-B	380/420	50/60	0.40	180	1400/1560	2400/2589	67.92/73.27	68/70
AF400121V3L6PS-B	380/420	50/60	0.40	112	950/1050	1977/2130	55.95/60.28	58/61
AF400121V3L6PT-B	380/420	50/60	0.35	112	950/1050	1977/2130	55.95/60.28	58/61

## AIR PERFORMANCE



# AF 450134-B

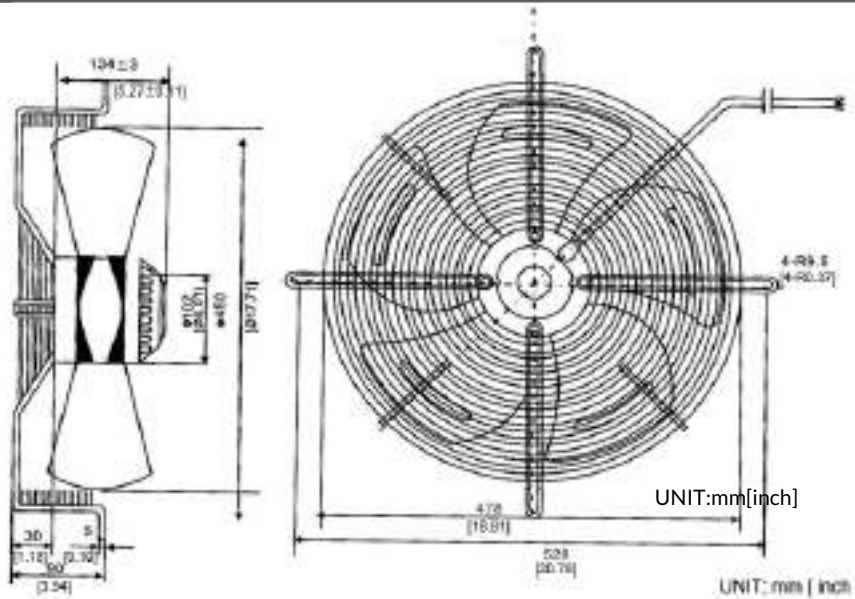
Ø450X134mm(Ø17.72"x5.28")



HOUSING Aluminum Die Casting, Painted Black  
 IMPELLER Metal  
 BEARING Ball  
 OPERATING TEMPERATURE -10°C to + 105°C  
 INSULATION Class F  
 OPERATING VOLTAGE RANGE 220 VAC/240 VAC  
 380 VAC/420 VAC  
 DIELECTRIC STRENGTH 5mA Max. at 1500 VAC for 1 second  
 INSULATION RESISTANCE 10M  $\Omega$  min. @500 VDC  
 MOTOR TYPE AC Induction Capacitor Motor  
 SAFETY Impedance Protected  
 TERMINATION Lead Wire  
 WEIGHT 7.05 kg  
 ROHS COMPLIANCE Yes  
 IP LEVEL IP21 (Special IP Rating On Request)

# 450 mm

## DIMENSION



## SPECIFICATION

MODEL NO.	RATED VOLTAGE (V)	FREQUENCY (Hz)	RATED CURRENT (A)	INPUT POWER (W)	SPEED (RPM)	MAX. AIR FLOW		NOISE dB(A) @1M
						CFM	m3/min	
AF450134V2M4PS-B	220/240	50/60	0.85/1	175/230	1350/1450	3154/3413	89.26/96.59	70/73
AF450134V2L6PS-B	220/240	50/60	0.71	160	920/1040	2624/2813	74.26/79.61	59/62
AF450134V3M4PS-B	380/420	50/60	0.60	250	1350/1450	3154/3413	89.26/96.59	70/73
AF450134V3M4PT-B	380/420	50/60	0.52	250	1350/1450	3154/3413	89.26/96.59	70/73
AF450134V3L6PS-B	380/420	50/60	0.45	160	920/1040	2624/2813	74.26/79.61	59/62
AF450134V3L6PT-B	380/420	50/60	0.40	160	920/1040	2624/2813	74.26/79.61	59/62

## AIR PERFORMANCE

