

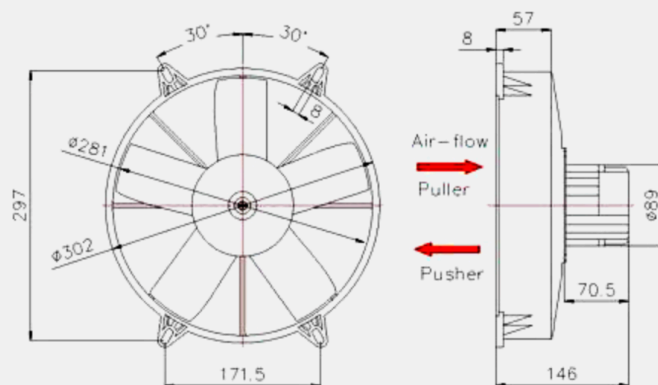
## AXIAL - A28S24P001



### Features and Description

#### Φ281 AXIAL FAN

1. Low Temperature Rise & Durability
2. High Level Of Efficiency
3. Speed Controllable
4. Free Maintenance



#### Specification :

MODEL	Voltage Vdc	Air flow CMH	Speed RPM	Current A	Noise dBA	Voltage range Vdc	Note
A28S24P001	27.5	1800	2600	3.0	76	18 - 28	Puller
A28B24P002	27.5	1800	2600	3.0	76	18 - 28	Pusher
A28S12P020	13.5	1700	2400	5.0	76	9 - 14	Puller
A28B12P021	13.5	1700	2400	5.0	76	9 - 14	Pusher

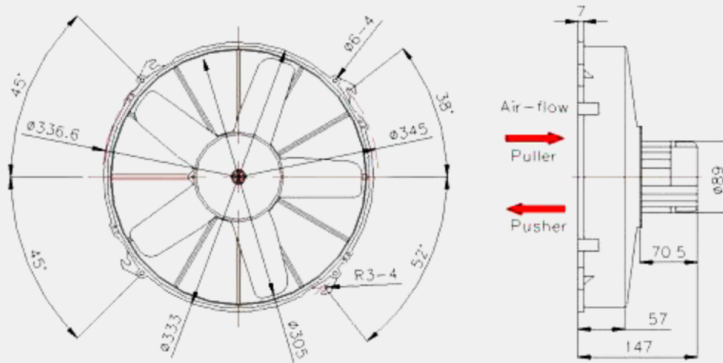
**AXIAL - A30S24P040**



**Features and Description**

**Φ305 AXIAL FAN**

1. Low Temperature Rise & Durability
2. High Level Of Efficiency
3. Speed Controllable
4. Free Maintenance



**Specification :**

MODEL	Voltage Vdc	Air flow CMH	Speed RPM	Current A	Noise dBA	Voltage range Vdc	Note
A30S24P040	27.5	2100	2400	3.7	80	18 - 28	Puller
A30B24P041	27.5	2100	2400	3.7	80	18 - 28	Pusher
A30S12P060	13.5	2000	2300	7.0	80	9 - 14	Puller
A30B12P061	13.5	2000	2300	7.0	80	9 - 14	Pusher

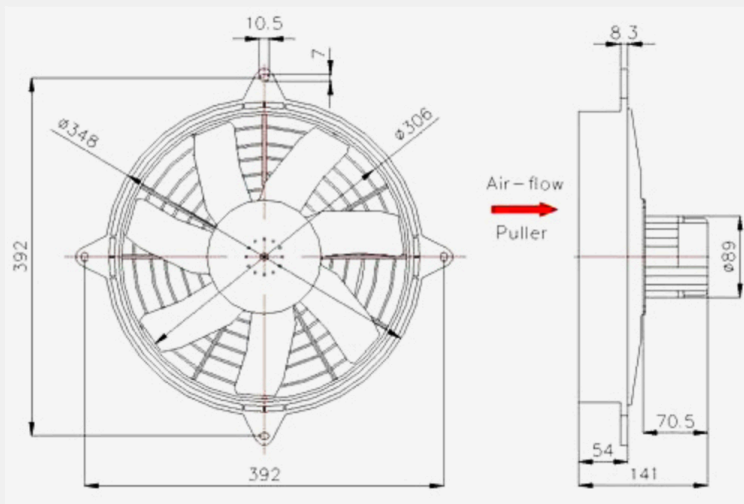
**AXIAL - A30S24P100**



**Features and Description**

**Φ306 AXIAL FAN**

1. Low Temperature Rise & Durability
2. High Level Of Efficiency
3. Speed Controllable
4. Free Maintenance



**Specification :**

MODEL	Voltage Vdc	Air flow CMH	Speed RPM	Current A	Noise dBA	Voltage range Vdc	Note
A30S24P100	27.5	2100	2500	4.3	80	18 - 28	Puller
A30S12P120	13.5	1900	2400	8.5	80	9 - 14	Puller