

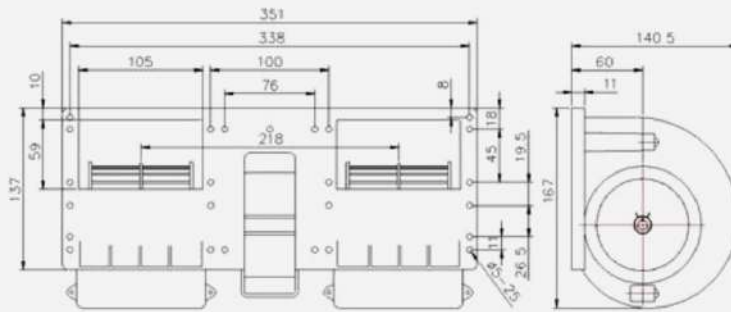
BLOWER - B35D24P001



Features and Description

Φ106 DUAL BLOWER

1. Low Temperature Rise & Durability
2. High Level Of Efficiency
3. Speed Controllable
4. Free Maintenance



Specification :

MODEL	Voltage Vdc	Air flow CMH	Speed RPM	Current A	Noise dBA	Voltage range Vdc
B35D24P001	26	1100	4300	13.0	74	18 - 28
B35D24P002	26	1050	4100	11.5	72	18 - 28
B35D24P003	26	1000	3900	10.5	70	18 - 28
B35D24P004	26	850	3300	7.2	67	18 - 28
B35D24P005	27.5	950	3700	11.0	70	18 - 28
B35D24P006	27.5	900	3500	10.0	70	18 - 28
B35D24P007	24	500	1900	1.6	57	18 - 28
B35D12P040	13	800	3100	12.5	67	9 - 14
B35D12P041	13	500	1900	3.7	57	9 - 14

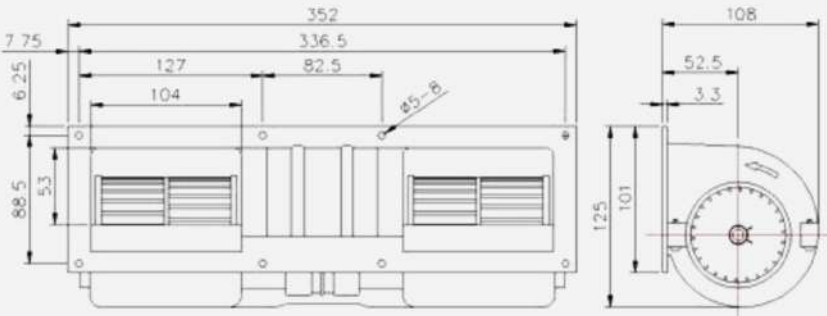
BLOWER - B35D24P070



Features and Description

Φ82 DUAL BLOWER

- 1. Low Temperature Rise & Durability
- 2. High Level Of Efficiency
- 3. Speed Controllable
- 4. Free Maintenance



Specification :

MODEL	Voltage Vdc	Air flow CMH	Speed RPM	Current A	Noise dBA	Voltage range Vdc
B35D24P070	27.5	650	3700	6.4	72	18 - 28
B35D12P080	13.5	620	3400	11	70	9 - 14

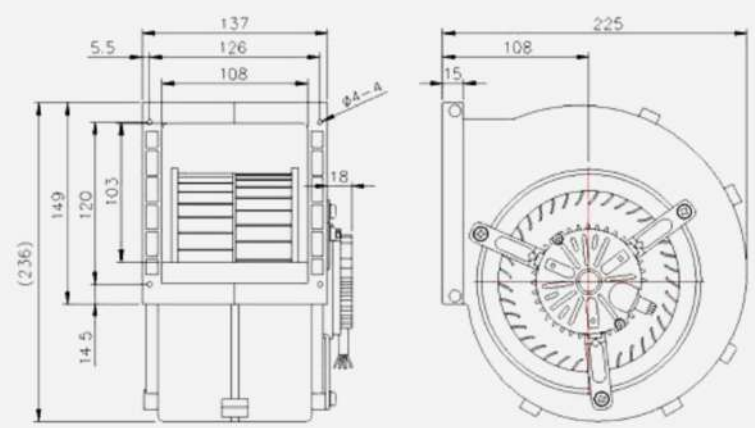
BLOWER - B13S24P200



Features and Description

Φ168 SINGLE BLOWER

- 1. Low Temperature Rise & Durability
- 2. High Level Of Efficiency
- 3. Speed Controllable
- 4. Free Maintenance



Specification :

MODEL	Voltage Vdc	Air flow CMH	Speed RPM	Current A	Noise dBA	Voltage range Vdc	Note
B13S24P200	27	850	2850	10	76	18 - 28	Left
B13S24P201	27	850	2850	10	76	18 - 28	Right

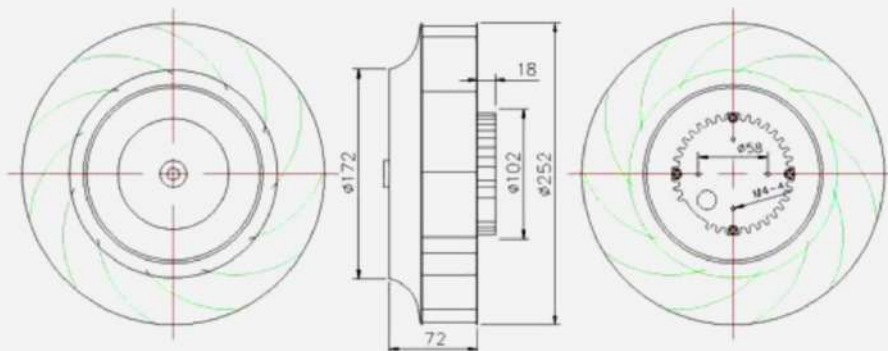
BLOWER - C25S24A001



Features and Description

Φ250 CENTRIFUGAL BLOWER

1. Low Temperature Rise & Durability
2. High Level Of Efficiency
3. Speed Controllable
4. Free Maintenance



Specification :

MODEL	Voltage Vdc	Air flow CMH	Speed RPM	Current A	Noise dBA	Voltage range Vdc
C25S24A001	24	980	2100	3.2	74	18 - 28
C25S12A020	12	980	2100	6.8	74	9 - 14

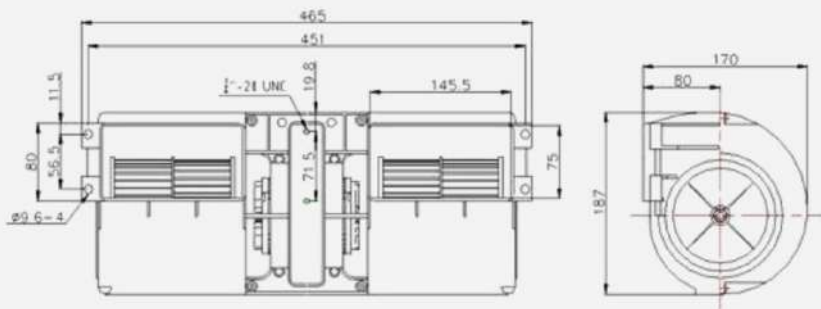


BLOWER - B46D24P100

▣ Features and Description

Φ122 DUAL BLOWER

1. Low Temperature Rise & Durability
2. High Level Of Efficiency
3. Speed Controllable
4. Free Maintenance



Specification :

MODEL	Voltage Vdc	Air flow CMH	Speed RPM	Current A	Noise dBA	Voltage range Vdc
B46D24P100	26	1350	2070	8.7	65	18 - 28
B46D24P101	26	1200	1960	6.6	63	18 - 28
B46D12P120	13	1150	1800	13.0	62	9 - 14
B46D12P121	13	1100	1700	10.9	60	9 - 14

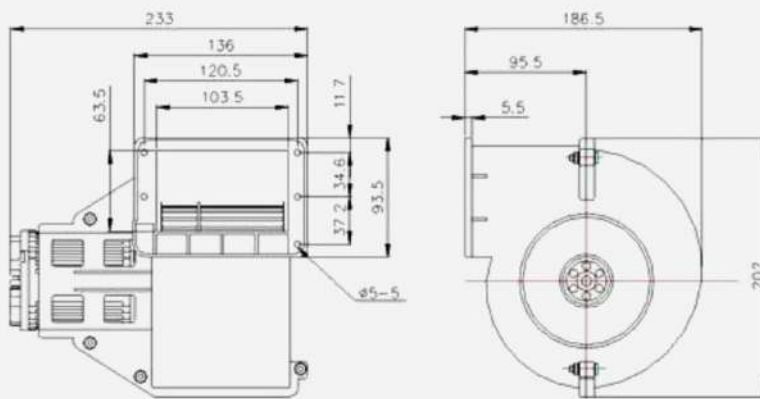
BLOWER - B13S24PA220



Features and Description

Φ124 SINGLE BLOWER

1. Low Temperature Rise & Durability
2. High Level Of Efficiency
3. Speed Controllable
4. Free Maintenance



Specification :

MODEL	Voltage Vdc	Air flow CMH	Speed RPM	Current A	Noise dBA	Voltage range Vdc
B13S24PA220	27.5	600	2630	7.2	70	18 - 28
B13S12PA240	13.5	550	2400	12.4	70	9 - 14

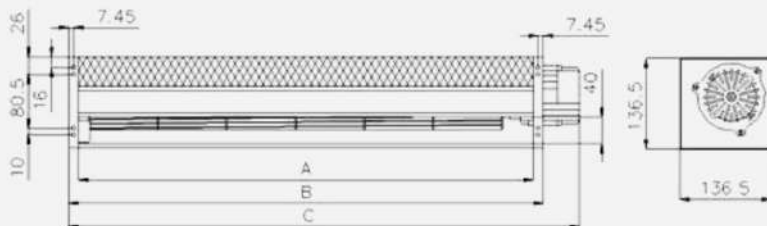
BLOWER - T09B24A001



Features and Description

Φ90 TANGENTIAL BLOWER

1. Low Temperature Rise & Durability
2. High Level Of Efficiency
3. Low Power Consumption
4. Speed Controllable
5. Free Maintenance
6. Low Noise Level



Specification :

MODEL	Voltage Vdc	Air flow CMH	Speed RPM	Current A	Noise dBA	Voltage range Vdc	Dimension		
							A	B	C
T09B24A001	27.5	1700	2050	3.1	57	18 - 28	930	960	1017
T09B12A020	13.5	1600	1950	6.3	57	9 - 14	930	960	1017
T09B24A040	27.5	1300	2100	2.9	59	18 - 28	680	710	767
T09B12A060	13.5	1200	2000	6.0	59	9 - 14	680	710	767

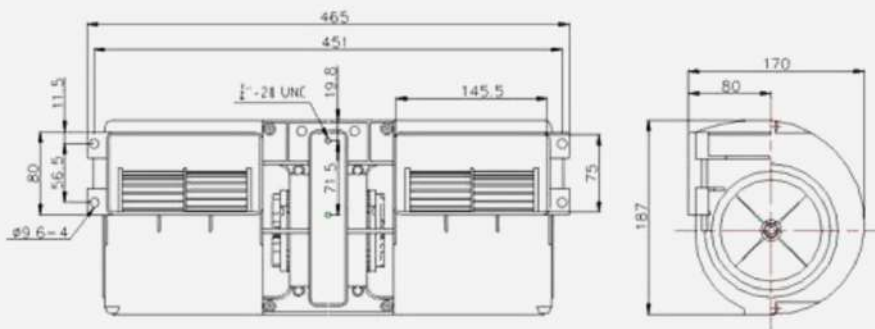
BLOWER - B19D24P260



Features and Description

Φ82 SINGLE BLOWER

1. Low Temperature Rise & Durability
2. High Level Of Efficiency
3. Speed Controllable
4. Free Maintenance



Specification :

MODEL	Voltage Vdc	Air flow CMH	Speed RPM	Current A	Noise dBA	Voltage range Vdc
B19D24P260	27.5	330	3700	4.0	68	18 - 28
B19D12P280	13.5	310	3400	8.0	68	9 - 14

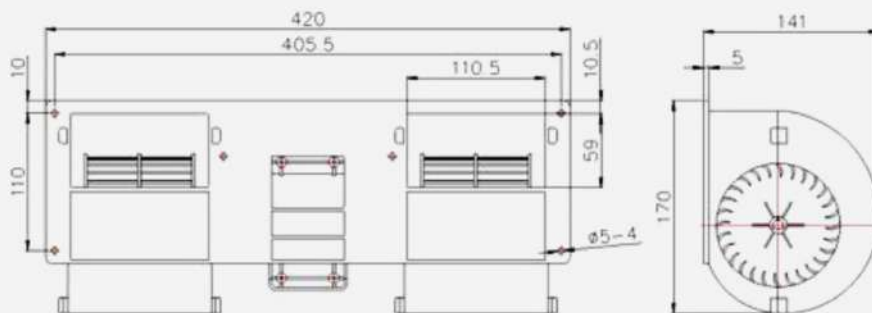
BLOWER - B42D24P140



■ Features and Description

Φ95 DUAL BLOWER

1. Low Temperature Rise & Durability
2. High Level Of Efficiency
3. Speed Controllable
4. Free Maintenance



Specification :

MODEL	Voltage Vdc	Air flow CMH	Speed RPM	Current A	Noise dBA	Voltage range Vdc
B42D24P140	27.5	950	3700	11.0	70	18 - 28
B42D24P141	27.5	900	3500	10.0	70	18 - 28