

# DC Fans & Blowers

# DC Axial Fans & Blowers

## PART NUMBER CODE

D	172	51	V24	H	B	F	-5	K	-FG	-IP54
Fan Type	Fan Size		Voltage	Speed	Bearing	Additional Information	Number of Impeller	Mold	Function	Ingress Protection
D : DC Axial Fan DB : DC Blower	Frame Size	Thickness	V5 (DC 5V) V12 (DC 12V) V24 (DC24V) V48 (DC 48V)	SH : Super Speed-High SM : Super Speed-Medium SL : Super Speed-Low H : High M : Medium L : Low XL : Extra Low XXL : Double Extra Low	B : Ball S : Sleeve X : Hypro	F : Frameless	5: 5 Impellers 9: 9 Impellers	Different Suffix for different mold	FG: FG Signal RD: RD Signal PWM: PWM Signal VC: Voltage Control TC:Temperature Control RRD: Reverse Rotation Detector	1st Digit: Solids 1~6 2nd Digit: Water 1~8

### DC Axial Fan

15 mm	P. 85	180 mm	P. 142
17 mm	P. 86	Ø200 mm	P. 143
18 mm	P. 87	Ø220 mm	P. 144
25 mm	P. 88	225 mm	P. 145
30 mm	P. 90	Ø254 mm	P. 147
38 mm	P. 92	280 mm	P. 149
40 mm	P. 93		
50 mm	P. 99		
60 mm	P. 101		
70 mm	P. 108		
80 mm	P. 111		
92 mm	P. 119		
120 mm	P. 123		
127 mm	P. 127		
140 mm	P. 128		
150 mm	P. 129		
Ø172 mm	P. 132		
172 mm	P. 134		
176 mm	P. 141		

### DC Blower

15 mm	P. 152
18 mm	P. 153
20 mm	P. 154
26 mm	P. 156
30 mm	P. 159
35 mm	P. 160
51 mm	P. 162
76 mm	P. 165
97 mm	P. 167
120 mm	P. 168
121 mm	P. 169
154 mm	P. 171
180 mm	P. 172
189 mm	P. 173

# D

# 1504

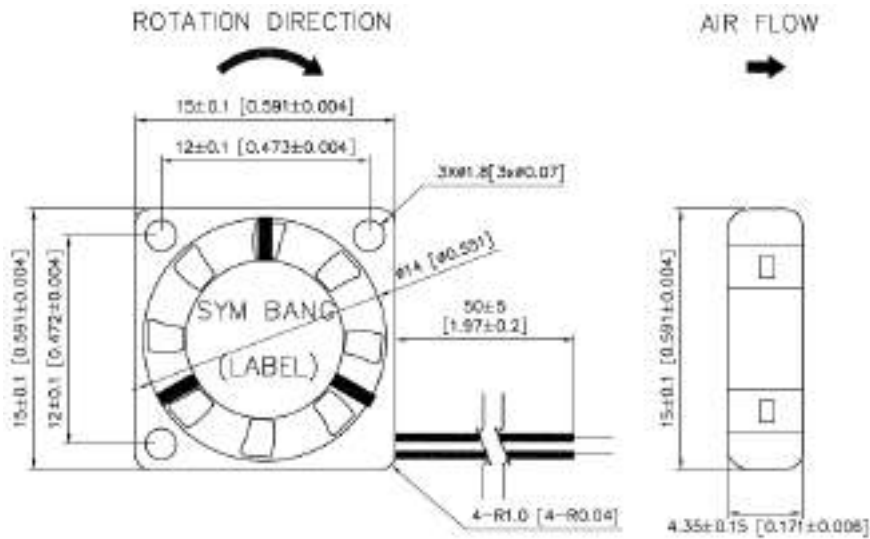
## 15X15X4mm(0.59"x0.59"x0.16")



- HOUSING Liquid Crystalline Polymer, UL94V-0
- IMPELLER Liquid Crystalline Polymer, UL94V-0
- BEARING Sleeve
- OPERATING TEMPERATURE -10°C to + 60°C
- DIELECTRIC STRENGTH 5mA Max. at 500 VAC for 1 minute
- INSULATION RESISTANCE 10M  $\Omega$  min. @500 VDC
- WEIGHT 1.5 g
- ROHS COMPLIANCE Yes
- APPLICATION Wearable dynamic air quality sampling applications, auxiliary temperature control application, and mini projector.
- IP LEVEL IP21 (Special IP Rating On Request)

# 15 mm

### DIMENSION

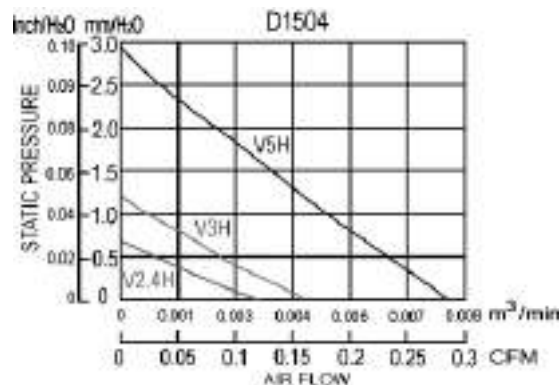


UNIT: mm[inch]

### SPECIFICATION

MODEL NO.	RATED VOLTAGE (V)	RATED CURRENT (A)	INPUT POWER (W)	SPEED (RPM)	MAX. AIR PRESSURE		MAX. AIR FLOW		NOISE
					inch/H <sub>2</sub> O	mm/H <sub>2</sub> O	CFM	m <sup>3</sup> /min	dB(A) @1M
D1504V2.4HS	2.4	0.015	0.036	7500	0.03	0.69	0.12	0.003	14.6
D1504V3HS	3.3	0.020	0.066	10000	0.05	1.22	0.16	0.005	17.0
D1504V5HS	5	0.042	0.210	16000	0.11	2.80	0.40	0.011	35.0

### AIR PERFORMANCE



# D 1708

17X17X8mm(0.66"x0.66"x0.31")



HOUSING  
IMPELLER  
BEARING  
OPERATING TEMPERATURE  
DIELECTRIC STRENGTH  
INSULATION RESISTANCE  
WEIGHT  
ROHS COMPLIANCE  
APPLICATION

Thermoplastic PBT+30% Fiber Glass, UL94V-0  
Thermoplastic PBT+30% Fiber Glass, UL94V-0  
Sleeve

-10°C to + 60°C  
5mA Max. at 500 VAC for 1 minute  
10M Ω min. @500 VDC

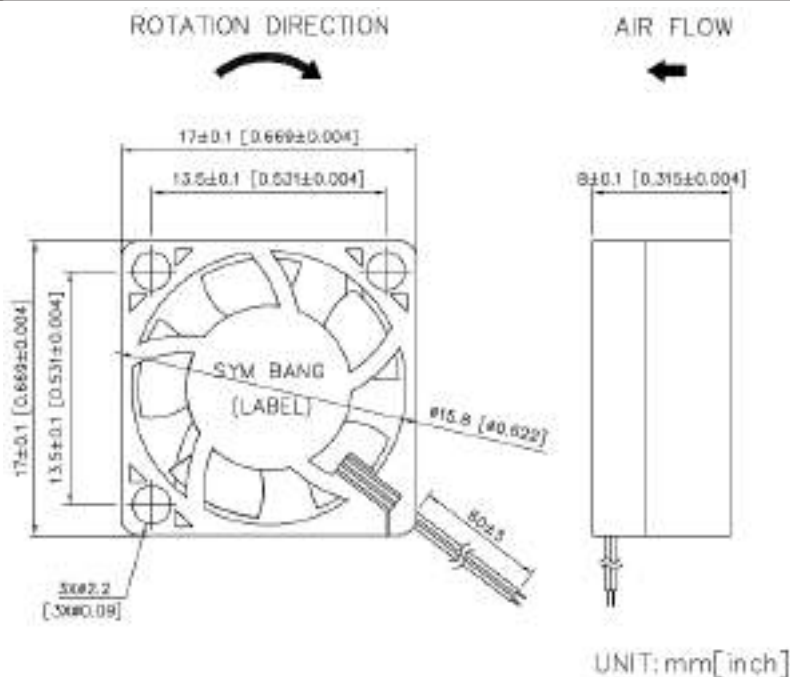
2.3 g  
Yes

For pico projector, MID, UMPC,  
smartbook, CCTV Portable GPS,  
air delivery of portable gas/particular detector,  
or to defrosting and ventilating of Mask/Goggle/Helmet  
IP57 included (Special IP Rating On Request)

IP LEVEL

17 mm

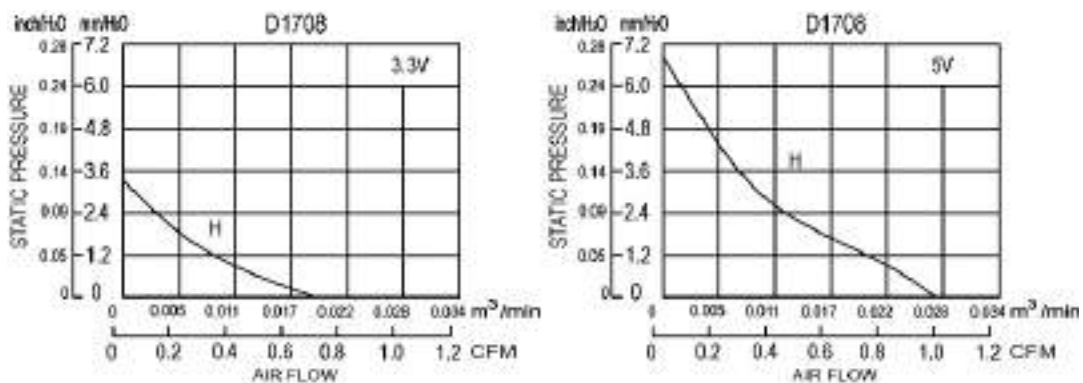
## DIMENSION



## SPECIFICATION

MODEL NO.	RATED VOLTAGE (V)	RATED CURRENT (A)	INPUT POWER (W)	SPEED (RPM)	MAX. AIR PRESSURE		MAX. AIR FLOW		NOISE dB(A) @1M
					inch/H2O	mm/H2O	CFM	m3/min	
D1708V3HS	3.3	0.055	0.181	12000	0.135	3.42	0.67	0.018	15
D1708V5HS	5	0.085	0.425	16000	0.27	6.86	0.95	0.026	18

## AIR PERFORMANCE



# D

# 1804

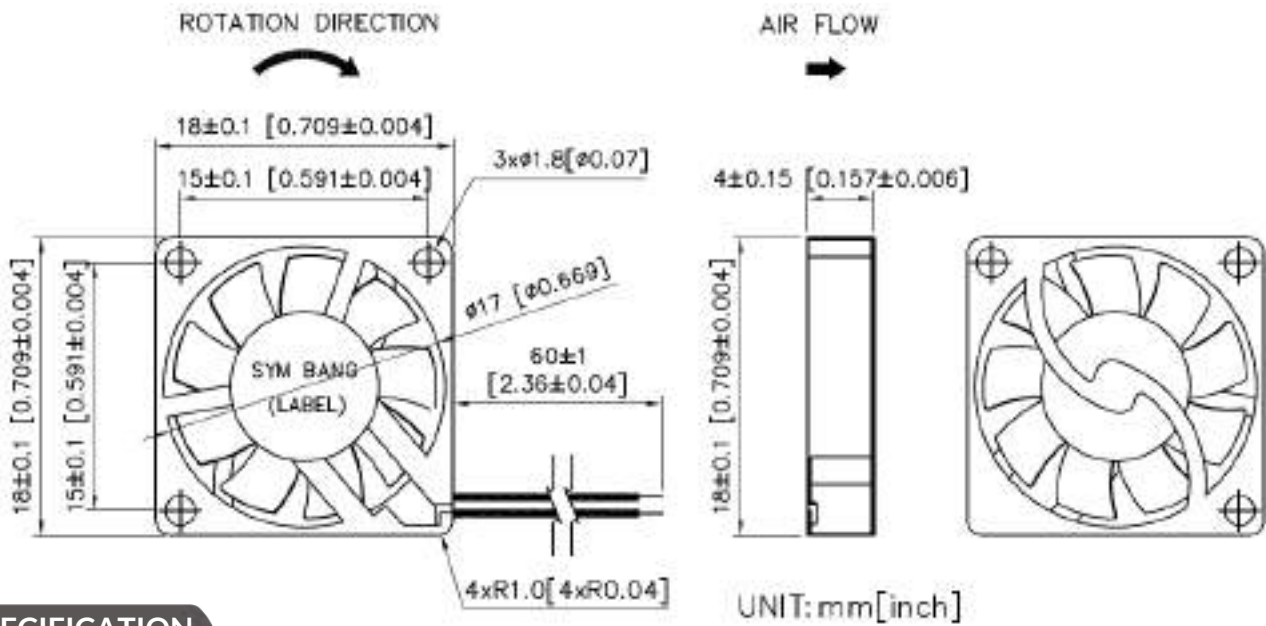
18X18X4mm(0.71"x0.71"x0.16")



HOUSING	Thermoplastic PBT, UL94V-0
IMPELLER	Thermoplastic PBT, UL94V-0
BEARING	Sleeve
OPERATING TEMPERATURE	-10°C to + 60°C
DIELECTRIC STRENGTH	5mA Max. at 500 VAC for 1 minute
INSULATION RESISTANCE	10M $\Omega$ min. @500 VDC
WEIGHT	17 g
ROHS COMPLIANCE	Yes
APPLICATION	Mini Projector
IP LEVEL	IP57 (Special IP Rating On Request)

# 18 mm

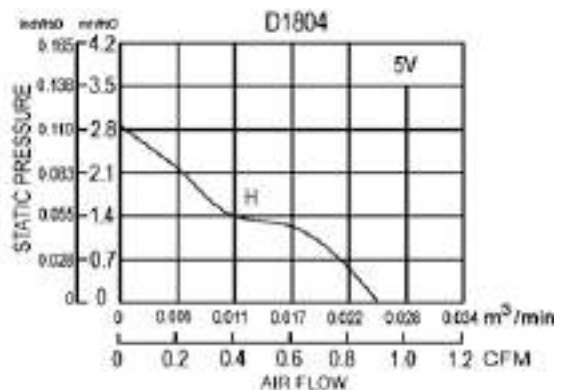
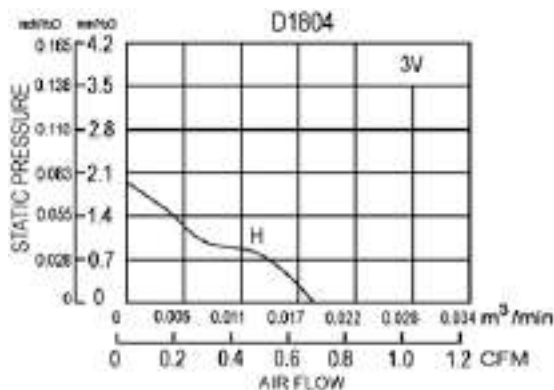
## DIMENSION



## SPECIFICATION

MODEL NO.	RATED VOLTAGE (V)	RATED CURRENT (A)	INPUT POWER (W)	SPEED (RPM)	MAX. AIR PRESSURE		MAX. AIR FLOW		NOISE dB(A) @1M
					inch/H <sub>2</sub> O	mm/H <sub>2</sub> O	CFM	m <sup>3</sup> /min	
D1804V3HS	3.3	0.032	0.105	8500	0.077	1.95	0.65	0.018	25
D1804V5HS	5	0.045	0.225	13000	0.113	2.88	0.9	0.026	35

## AIR PERFORMANCE



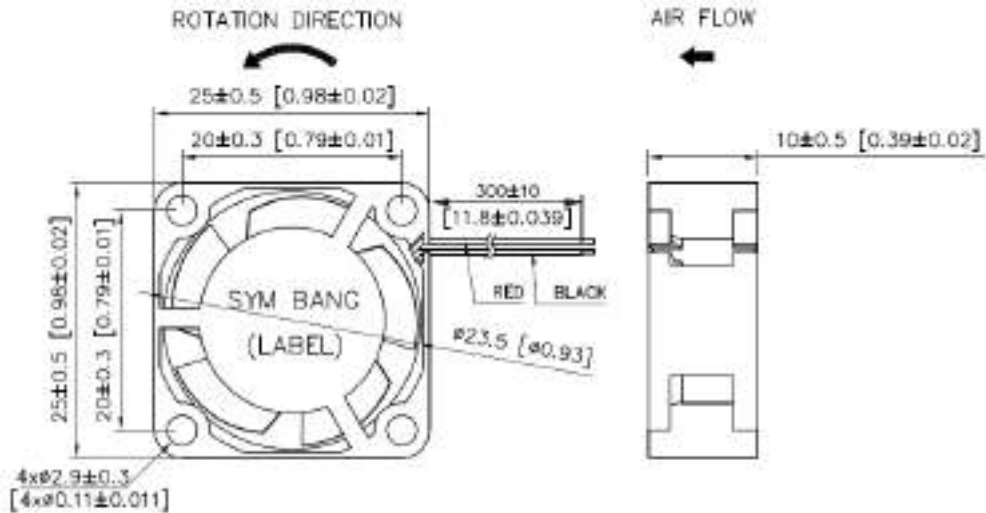
# D 2510-K 25X25X10mm(1.0"x1.0"x0.48")



HOUSING Thermoplastic PBT, UL94V-0  
 IMPELLER Thermoplastic PBT, UL94V-0  
 BEARING Ball or Sleeve  
 OPERATING TEMPERATURE -10°C to + 60°C  
 DIELECTRIC STRENGTH 5mA Max. at 500 VAC for 1 minute  
 INSULATION RESISTANCE 10M  $\Omega$  min. @500 VDC  
 WEIGHT 8 g  
 ROHS COMPLIANCE Yes  
 IP LEVEL IP21 (Special IP Rating On Request)

# 25 mm

## DIMENSION

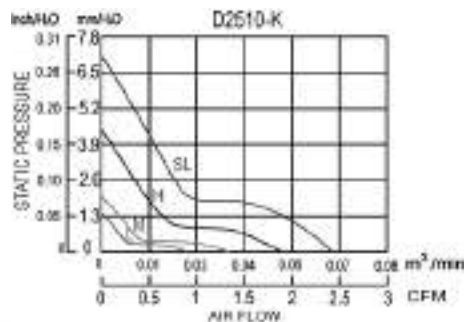


UNIT: mm[inch]

## SPECIFICATION

MODEL NO.	RATED VOLTAGE (V)	RATED CURRENT (A)	INPUT POWER (W)	SPEED (RPM)	MAX. AIR PRESSURE		MAX. AIR FLOW		NOISE dB(A) @1M
					inch/H <sub>2</sub> O	mm/H <sub>2</sub> O	CFM	m <sup>3</sup> /min	
D2510V3H-K	3.3	0.17	0.56	10000	0.17	4.4	1.85	0.05	23.5
D2510V5SL-K	5	0.22	1.1	13000	0.29	7.3	2.41	0.07	28
D2510V5H-K	5	0.16	0.8	10000	0.17	4.4	1.85	0.05	23.5
D2510V5M-K	5	0.13	0.65	7000	0.07	1.9	1.32	0.04	20
D2510V5L-K	5	0.12	0.6	6000	0.05	1.4	0.88	0.02	18
D2510V12SL-K	12	0.12	1.44	13000	0.29	7.3	2.41	0.07	28
D2510V12H-K	12	0.08	0.96	10000	0.17	4.4	1.85	0.05	23.5
D2510V12M-K	12	0.07	0.84	7000	0.07	1.9	1.32	0.04	20
D2510V12L-K	12	0.06	0.72	6000	0.05	1.4	0.88	0.02	18
D2510V24HB-K	24	0.04	0.96	10000	0.17	4.4	1.85	0.05	23.5

## AIR PERFORMANCE



**D**

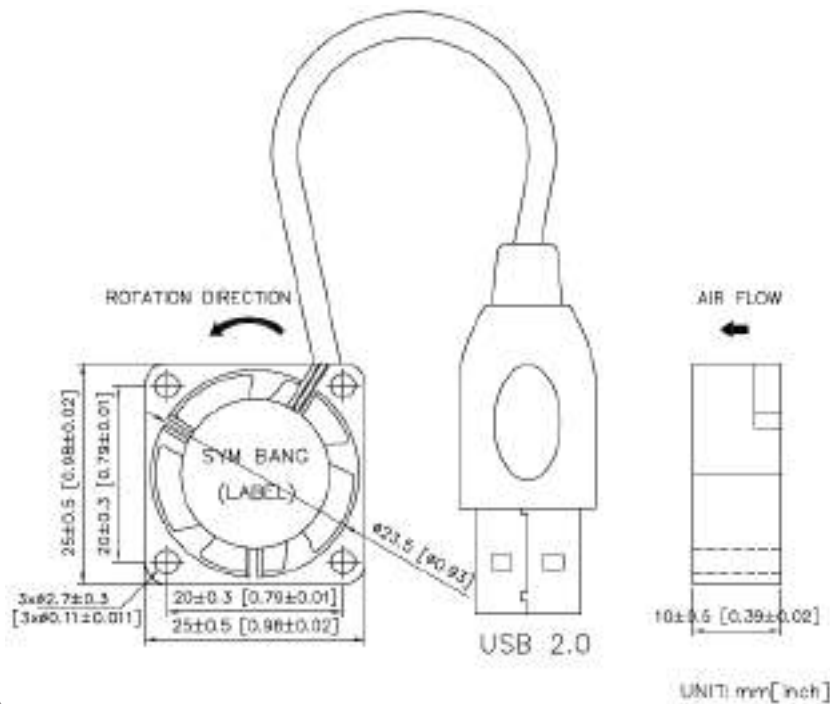
# 2510-K-USB

25X25X10mm(0.98"x0.98"x0.39") **CE**

HOUSING Thermoplastic PBT, UL94V-0  
 IMPELLER Thermoplastic PBT, UL94V-0  
 BEARING Ball or Sleeve  
 OPERATING TEMPERATURE -10°C to + 60°C  
 DIELECTRIC STRENGTH 5mA Max. at 500 VAC for 1 minute  
 INSULATION RESISTANCE 10M  $\Omega$  min. @500 VDC  
 WEIGHT 10 g  
 ROHS COMPLIANCE Yes  
 IP LEVEL IP21 (Special IP Rating On Request)

# 25 mm

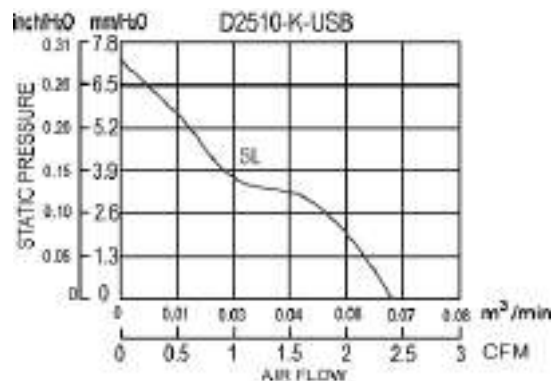
## DIMENSION



## SPECIFICATION

MODEL NO.	RATED VOLTAGE (V)	RATED CURRENT (A)	INPUT POWER (W)	SPEED (RPM)	MAX. AIR PRESSURE		MAX. AIR FLOW		NOISE dB(A) @1M
					inch/H <sub>2</sub> O	mm/H <sub>2</sub> O	CFM	m <sup>3</sup> /min	
D2510V5SL-K-USB	5	0.22	1.1	13000	0.29	7.3	2.41	0.07	28

## AIR PERFORMANCE



# D 3008

Ø30X8mm(Ø1.18"x0.31")

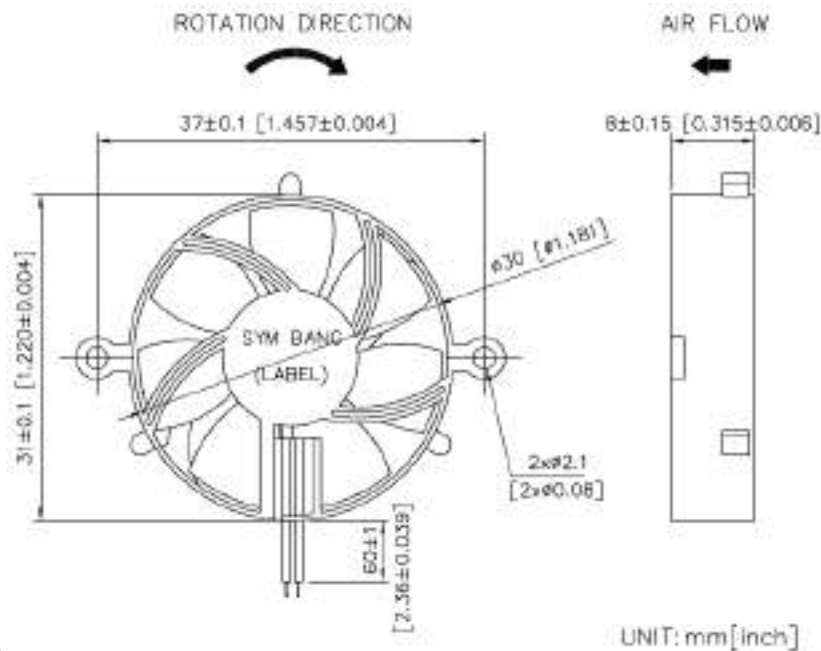


HOUSING  
 IMPELLER  
 BEARING  
 OPERATING TEMPERATURE  
 DIELECTRIC STRENGTH  
 INSULATION RESISTANCE  
 WEIGHT  
 ROHS COMPLIANCE  
 APPLICATION  
 IP LEVEL

Thermoplastic PBT+30% Fiber Glass, UL94V-0  
 Thermoplastic PBT+30% Fiber Glass, UL94V-0  
 Sleeve  
 -10°C to + 60°C  
 5mA Max. at 500 VAC for 1 minute  
 10M Ω min. @500 VDC  
 3.1 g  
 Yes  
 For thermal solution for MR16/E27 LED lighting, mini projector  
 IP21 (Special IP Rating On Request)

# 30 mm

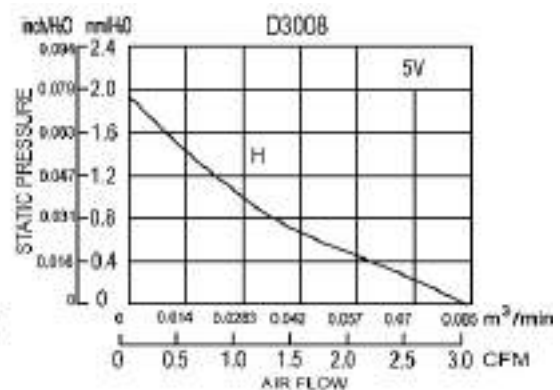
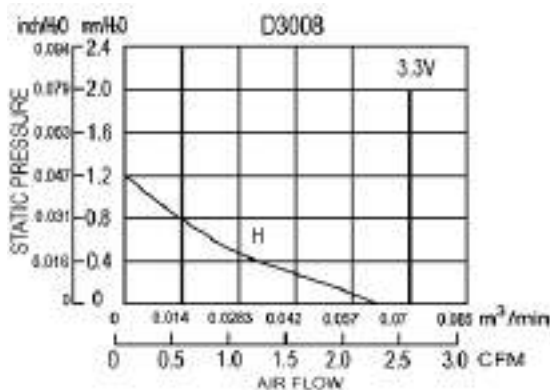
## DIMENSION



## SPECIFICATION

MODEL NO.	RATED VOLTAGE (V)	RATED CURRENT (A)	INPUT POWER (W)	SPEED (RPM)	MAX. AIR PRESSURE		MAX. AIR FLOW		NOISE dB(A) @1M
					inch/H <sub>2</sub> O	mm/H <sub>2</sub> O	CFM	m <sup>3</sup> /min	
D3008V3HS	3.3	0.045	0.149	5000	0.047	1.2	2.18	0.061	17
D3008V5HS	5	0.067	0.335	6500	0.075	1.93	2.89	0.081	22

## AIR PERFORMANCE





# D

# 3010-K

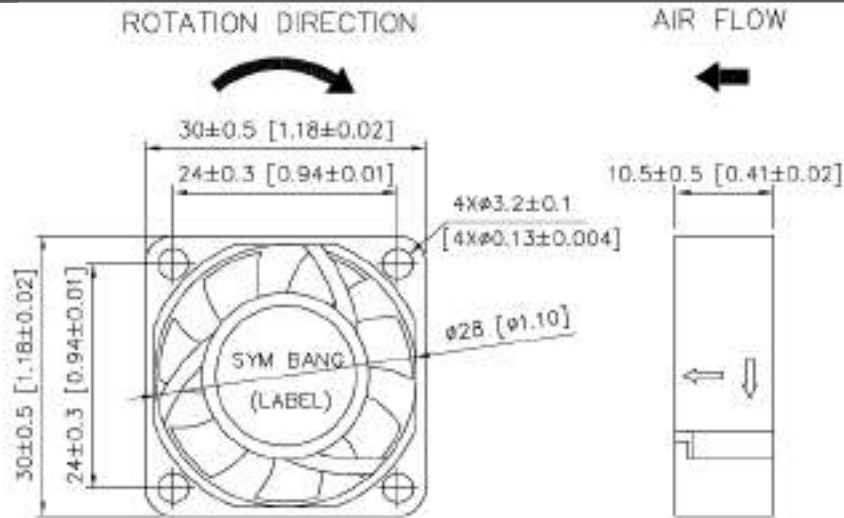
30X30X10mm(1.18"x1.18"x0.4")



HOUSING Thermoplastic PBT, UL94V-0  
 IMPELLER Thermoplastic PBT, UL94V-0  
 BEARING Ball  
 OPERATING TEMPERATURE -10°C to + 60°C  
 DIELECTRIC STRENGTH 5mA Max. at 500 VAC for 1 minute  
 INSULATION RESISTANCE 10M Ω min. @500 VDC  
 WEIGHT 9 g  
 ROHS COMPLIANCE Yes  
 IP LEVEL IP21 (Special IP Rating On Request)

# 30 mm

## DIMENSION

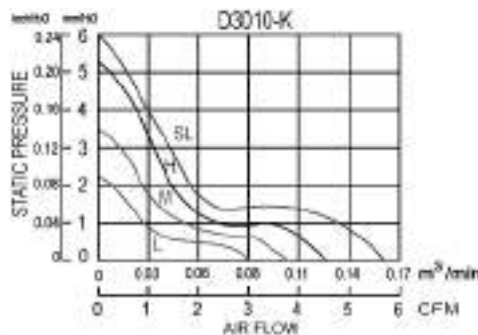


UNIT: mm[inch]

## SPECIFICATION

MODEL NO.	RATED VOLTAGE (V)	RATED CURRENT (A)	INPUT POWER (W)	SPEED (RPM)	MAX. AIR PRESSURE		MAX. AIR FLOW		NOISE dB(A) @1M
					inch/H2O	mm/H2O	CFM	m3/min	
D3010V5SL-K	5	0.27	1.35	11000	0.24	6.10	5.65	0.16	31
D3010V5H-K	5	0.24	1.20	9000	0.21	5.33	4.48	0.13	29
D3010V5M-K	5	0.12	0.60	7500	0.14	3.56	3.73	0.11	24
D3010V5L-K	5	0.09	0.45	6000	0.09	2.28	2.99	0.08	17
D3010V12SL-K	12	0.09	1.08	11000	0.24	6.09	5.65	0.16	31
D3010V12H-K	12	0.07	0.84	9000	0.21	5.33	4.48	0.13	29
D3010V12M-K	12	0.05	0.60	7500	0.14	3.65	3.73	0.11	24
D3010V12L-K	12	0.03	0.36	6000	0.09	2.28	2.99	0.08	17

## AIR PERFORMANCE



# D3828D-K

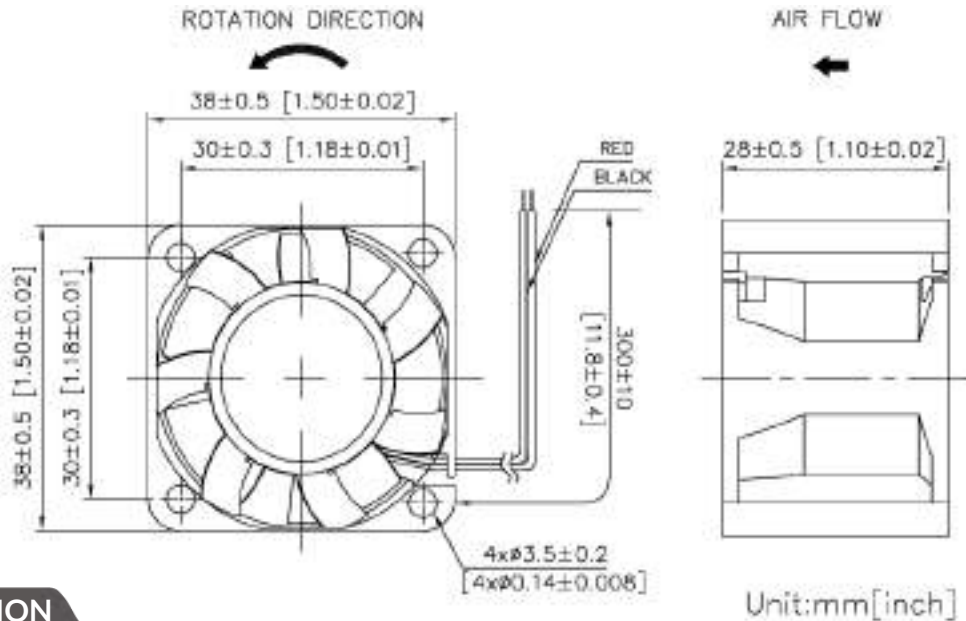
38X38X28mm(1.5"x1.5"x1.1")



HOUSING Thermoplastic PBT, UL94V-0  
 IMPELLER Thermoplastic PBT, UL94V-0  
 BEARING Ball  
 OPERATING TEMPERATURE -10°C to + 70°C  
 DIELECTRIC STRENGTH 5mA Max. at 500 VAC for 1 minute  
 INSULATION RESISTANCE 10M  $\Omega$  min. @500 VDC  
 WEIGHT 40.6 g  
 ROHS COMPLIANCE Yes  
 IP LEVEL IP21 (Special IP Rating On Request)

# 38 mm

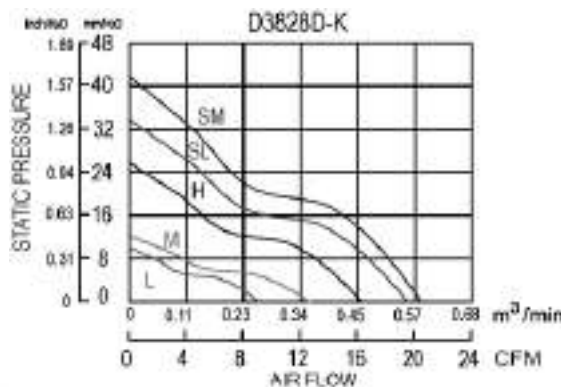
## DIMENSION



## SPECIFICATION

MODEL NO.	RATED VOLTAGE (V)	RATED CURRENT (A)	INPUT POWER (W)	SPEED (RPM)	MAX. AIR PRESSURE		MAX. AIR FLOW		NOISE dB(A) @1M
					inch/H <sub>2</sub> O	mm/H <sub>2</sub> O	CFM	m <sup>3</sup> /min	
D3828V12SMBD-K	12	1	12	17000	1.67	42.4	20.8	0.59	59
D3828V12SLBD-K	12	0.82	9.84	15000	1.37	34.71	19.61	0.54	55
D3828V12HBD-K	12	0.5	6	13000	1.02	25.91	16.3	0.46	51
D3828V12MBD-K	12	0.3	3.6	10000	0.63	12.46	12.46	0.35	44
D3828V12LBD-K	12	0.21	2.52	8000	0.39	10.02	9.44	0.26	38

## AIR PERFORMANCE



# D4007

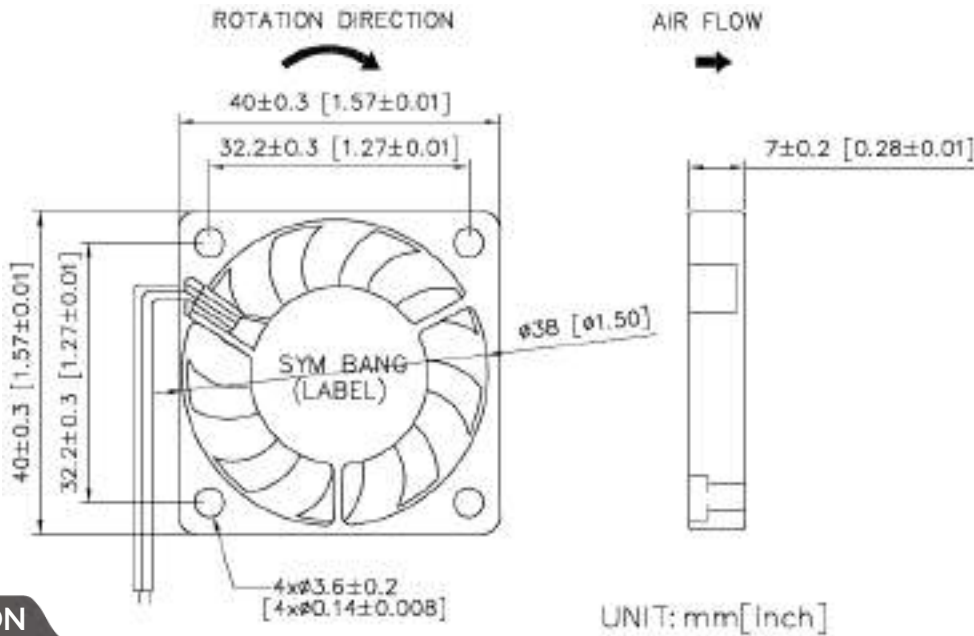
40X40X7mm(1.57"x1.57"x0.28")



HOUSING	Thermoplastic PBT, UL94V-0
IMPELLER	Thermoplastic PBT, UL94V-0
BEARING	Ball or Sleeve
OPERATING TEMPERATURE	-10°C to + 60°C
DIELECTRIC STRENGTH	5mA Max. at 500 VAC for 1 minute
INSULATION RESISTANCE	10M $\Omega$ min. @500 VDC
WEIGHT	8 g
ROHS COMPLIANCE	Yes
IP LEVEL	IP21 (Special IP Rating On Request)

# 40 mm

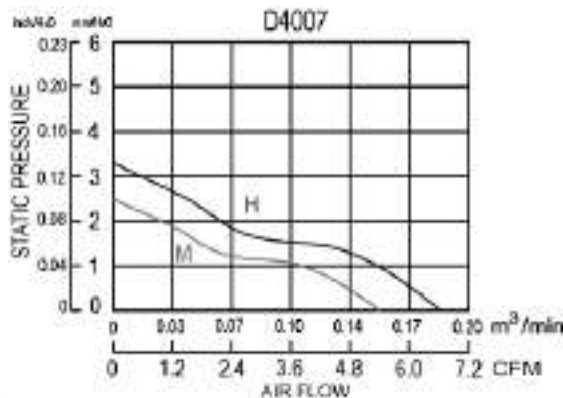
## DIMENSION



## SPECIFICATION

MODEL NO.	RATED VOLTAGE (V)	RATED CURRENT (A)	INPUT POWER (W)	SPEED (RPM)	MAX. AIR PRESSURE		MAX. AIR FLOW		NOISE dB(A) @1M
					inch/H <sub>2</sub> O	mm/H <sub>2</sub> O	CFM	m <sup>3</sup> /min	
D4007V5HB	5	0.25	1.3	7500	0.13	3.25	6.51	0.18	34
D4007V5MB	5	0.23	1.2	6500	0.1	2.44	5.4	0.15	30
D4007V12HB	12	0.13	1.6	7500	0.11	2.89	6.51	0.18	34
D4007V12MB	12	0.11	1.3	6500	0.1	2.44	5.4	0.15	30

## AIR PERFORMANCE



# D4010

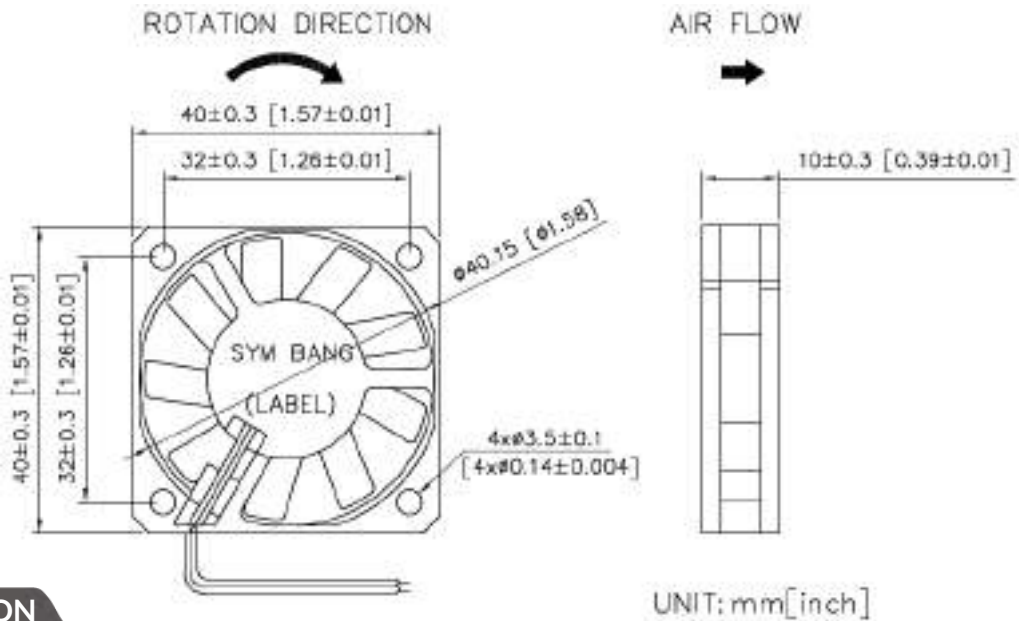
40X40X10mm(1.57"x1.57"x0.39")



HOUSING	Thermoplastic PBT, UL94V-0
IMPELLER	Thermoplastic PBT, UL94V-0
BEARING	Ball or Sleeve
OPERATING TEMPERATURE	-10°C to + 70°C
DIELECTRIC STRENGTH	5mA Max. at 500 VAC for 1 minute
INSULATION RESISTANCE	10M $\Omega$ min. @500 VDC
WEIGHT	18 g
ROHS COMPLIANCE	Yes
IP LEVEL	IP21 (Special IP Rating On Request)

# 40 mm

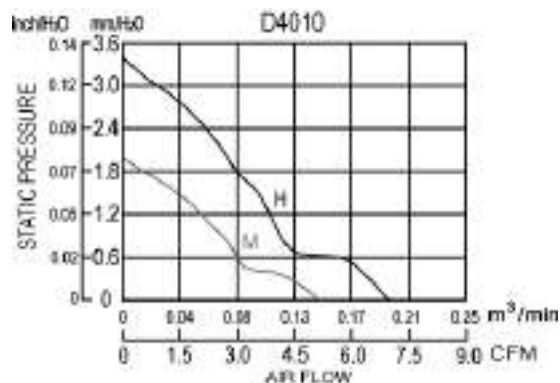
## DIMENSION



## SPECIFICATION

MODEL NO.	RATED VOLTAGE (V)	RATED CURRENT (A)	INPUT POWER (W)	SPEED (RPM)	MAX. AIR PRESSURE		MAX. AIR FLOW		NOISE dB(A) @1M
					inch/H2O	mm/H2O	CFM	m3/min	
D4010V5H	5	0.23	1.15	6500	0.13	3.4	7.0	0.20	29.0
D4010V5M	5	0.18	0.90	5000	0.08	2.0	5.2	0.15	24.5
D4010V12H	12	0.13	1.56	6500	0.13	3.4	7.0	0.20	29.0
D4010V12M	12	0.09	1.08	5000	0.08	2.0	5.2	0.15	24.5
D4010V24H	24	0.11	2.64	6500	0.13	3.4	7.0	0.20	29.0

## AIR PERFORMANCE

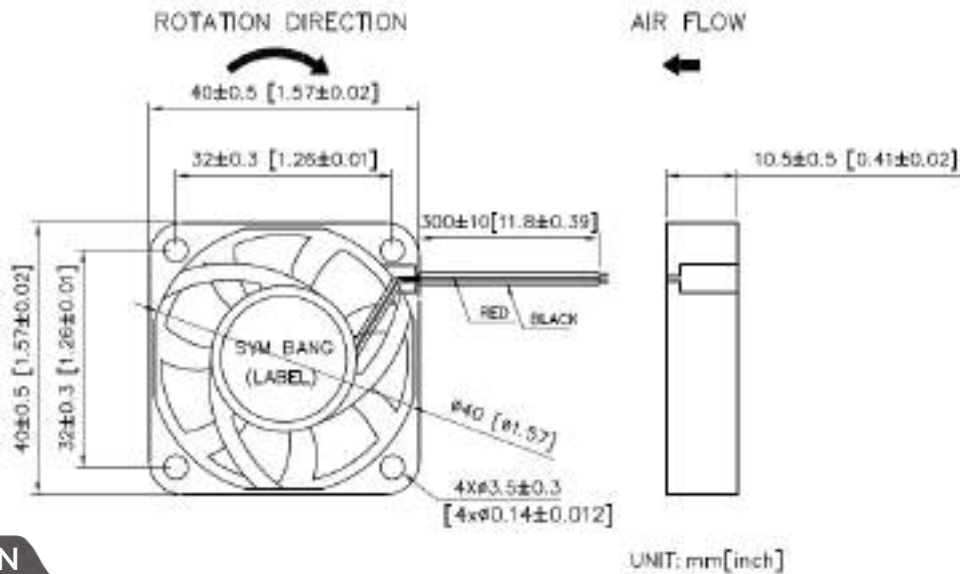


**D****4010-K**

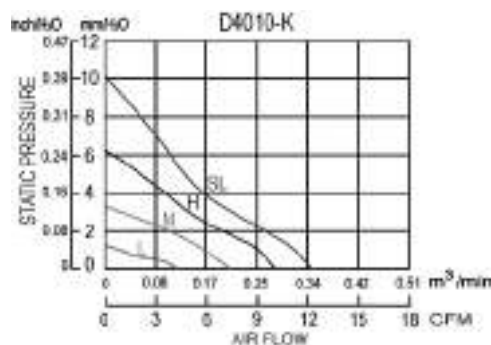
40X40X10mm(1.57"x1.57"x0.39")

**CE**

HOUSING Thermoplastic PBT, UL94V-0  
 IMPELLER Thermoplastic PBT, UL94V-0  
 BEARING Ball  
 OPERATING TEMPERATURE -10°C to + 70°C  
 DIELECTRIC STRENGTH 5mA Max. at 500 VAC for 1 minute  
 INSULATION RESISTANCE 10M  $\Omega$  min. @500 VDC  
 WEIGHT 15 g  
 ROHS COMPLIANCE Yes  
 IP LEVEL IP21 (Special IP Rating On Request)

**40** mm**DIMENSION****SPECIFICATION**

MODEL NO.	RATED VOLTAGE (V)	RATED CURRENT (A)	INPUT POWER (W)	SPEED (RPM)	MAX. AIR PRESSURE		MAX. AIR FLOW		NOISE dB(A) @1M
					inch/H2O	mm/H2O	CFM	m3/min	
D4010V5H-K	5	0.29	1.45	8000	0.25	6.28	10.15	0.29	29.6
D4010V5M-K	5	0.16	0.80	6000	0.13	3.34	7.24	0.20	25.1
D4010V5L-K	5	0.14	0.70	4000	0.06	1.42	4.35	0.12	21.0
D4010V12SL-K	12	0.18	2.16	10000	0.41	10.31	12.23	0.35	31.3
D4010V12H-K	12	0.15	1.80	8000	0.25	6.28	10.15	0.29	29.6
D4010V12M-K	12	0.07	0.84	6000	0.13	3.34	7.24	0.20	25.1
D4010V12L-K	12	0.05	0.60	4000	0.06	1.42	4.35	0.12	21.0
D4010V24SL-K	24	0.09	2.16	10000	0.41	10.31	12.23	0.35	31.3
D4010V24H-K	24	0.09	2.16	8000	0.25	6.28	10.15	0.29	29.6

**AIR PERFORMANCE**

# D 4020

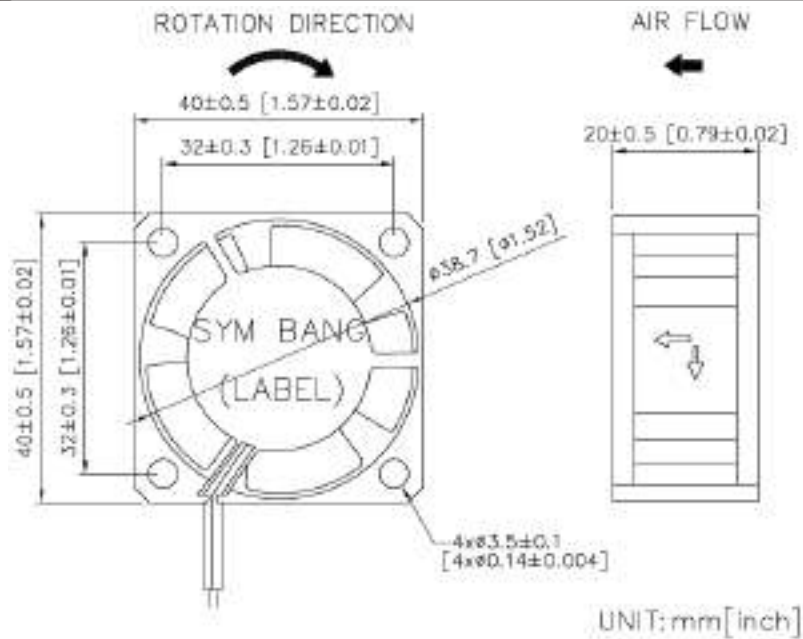
40X40X20mm(1.57"x1.57"x0.79")



HOUSING	Thermoplastic PBT, UL94V-0
IMPELLER	Thermoplastic PBT, UL94V-0
BEARING	Ball or Sleeve
OPERATING TEMPERATURE	-10°C to + 70°C
DIELECTRIC STRENGTH	5mA Max. at 500 VAC for 1 minute
INSULATION RESISTANCE	10M $\Omega$ min. @500 VDC
WEIGHT	40 g
ROHS COMPLIANCE	Yes
IP LEVEL	IP21 (Special IP Rating On Request)

# 40 mm

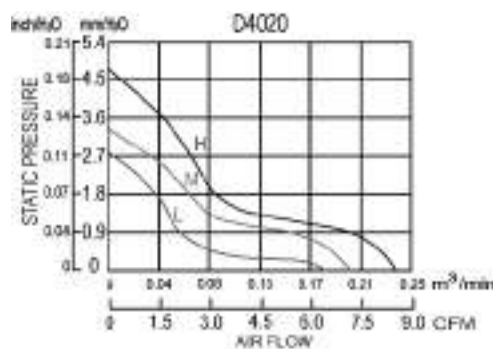
## DIMENSION



## SPECIFICATION

MODEL NO.	RATED VOLTAGE (V)	RATED CURRENT (A)	INPUT POWER (W)	SPEED (RPM)	MAX. AIR PRESSURE		MAX. AIR FLOW		NOISE dB(A) @1M
					inch/H2O	mm/H2O	CFM	m3/min	
D4020V12H	12	0.16	1.92	7000	0.19	4.9	8.5	0.24	32.7
D4020V12M	12	0.1	1.2	6000	0.13	3.4	7.2	0.20	28.4
D4020V12L	12	0.08	0.96	5000	0.11	2.8	6.4	0.18	26.7
D4020V24H	24	0.18	4.32	7000	0.19	4.9	8.5	0.24	32.7
D4020V24M	24	0.13	3.12	6000	0.13	3.4	7.2	0.20	28.4
D4020V24L	24	0.1	2.4	5000	0.11	2.8	6.4	0.18	26.7

## AIR PERFORMANCE

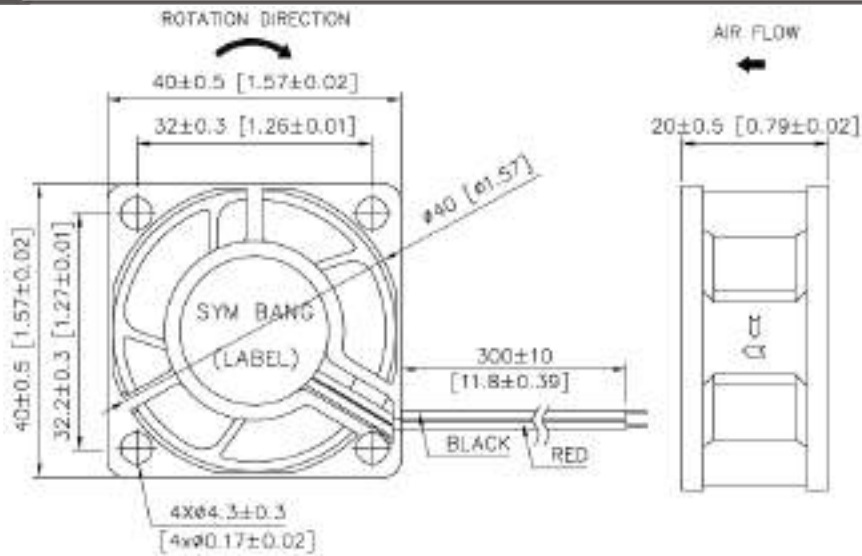


**D****4020-K**

40X40X20mm(1.57"x1.57"x0.79")

**CE**

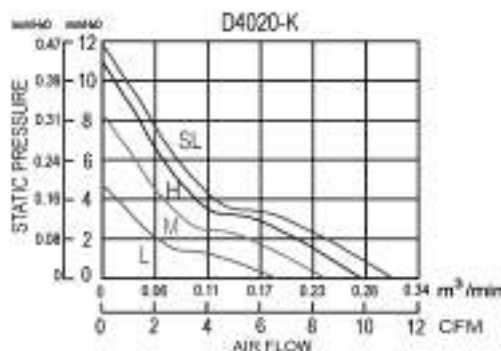
HOUSING Thermoplastic PBT, UL94V-0  
 IMPELLER Thermoplastic PBT, UL94V-0  
 BEARING Ball  
 OPERATING TEMPERATURE -10°C to + 70°C  
 DIELECTRIC STRENGTH 5mA Max. at 500 VAC for 1 minute  
 INSULATION RESISTANCE 10M  $\Omega$  min. @500 VDC  
 WEIGHT 27 g  
 ROHS COMPLIANCE Yes  
 IP LEVEL IP21 (Special IP Rating On Request)

**40** mm**DIMENSION**

UNIT: mm[inch]

**SPECIFICATION**

MODEL NO.	RATED VOLTAGE (V)	RATED CURRENT (A)	INPUT POWER (W)	SPEED (RPM)	MAX. AIR PRESSURE		MAX. AIR FLOW		NOISE dB(A) @1M
					inch/H <sub>2</sub> O	mm/H <sub>2</sub> O	CFM	m <sup>3</sup> /min	
D4020V12SLB-K	12	0.22	2.64	9500	0.47	11.9	11.0	0.31	37
D4020V12HB-K	12	0.16	1.92	8600	0.43	10.9	9.8	0.31	36
D4020V12MB-K	12	0.12	1.44	6500	0.32	8.1	8.4	0.22	27
D4020V12LB-K	12	0.10	1.20	5000	0.19	4.8	6.7	0.21	23
D4020V24HB-K	24	0.13	3.12	8600	0.43	10.9	9.8	0.31	36
D4020V24MB-K	24	0.09	2.16	6500	0.32	8.1	8.4	0.22	27
D4020V24LB-K	24	0.07	1.68	5000	0.19	4.8	6.7	0.21	23

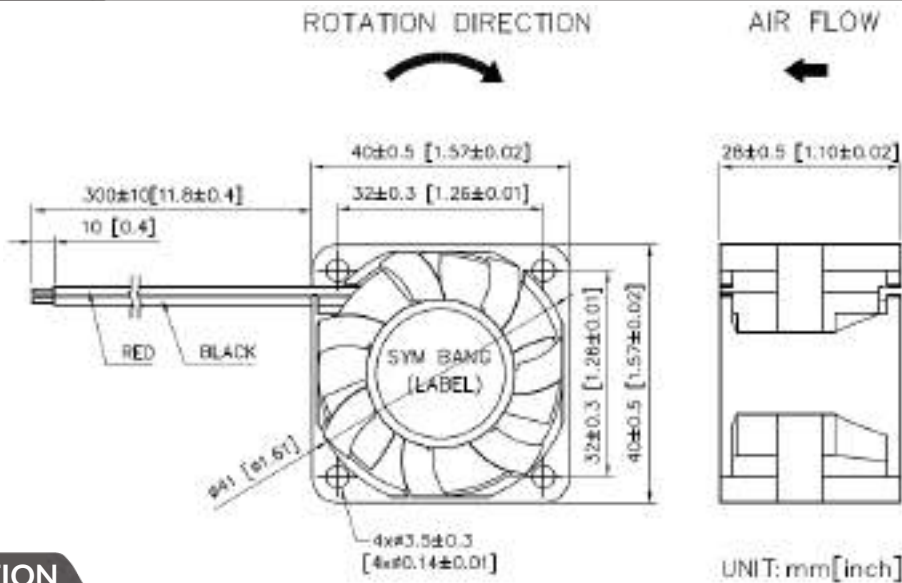
**AIR PERFORMANCE**

**D****4028D-K**

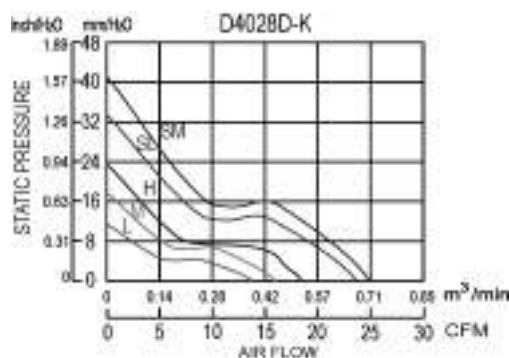
40X40X28mm(1.57"x1.57"x1.1")



HOUSING Thermoplastic PBT, UL94V-0  
 IMPELLER Thermoplastic PBT, UL94V-0  
 BEARING Ball  
 OPERATING TEMPERATURE -10°C to + 70°C  
 DIELECTRIC STRENGTH 5mA Max. at 500 VAC for 1 minute  
 INSULATION RESISTANCE 10M  $\Omega$  min. @500 VDC  
 WEIGHT 40 g  
 ROHS COMPLIANCE Yes  
 IP LEVEL IP21 (Special IP Rating On Request)

**40** mm**DIMENSION****SPECIFICATION**

MODEL NO.	RATED VOLTAGE (V)	RATED CURRENT (A)	INPUT POWER (W)	SPEED (RPM)	MAX. AIR PRESSURE		MAX. AIR FLOW		NOISE dB(A) @1M
					inch/H <sub>2</sub> O	mm/H <sub>2</sub> O	CFM	m <sup>3</sup> /min	
D4028V12SMBD-K	12	0.7	8.4	15000	1.64	41.6	24.8	0.7	58
D4028V12SLBD-K	12	0.55	6.6	13000	1.32	33.7	23.8	0.67	54
D4028V12HBD-K	12	0.35	4.2	11000	0.92	23.4	18.7	0.53	48
D4028V12MBD-K	12	0.26	3.12	9500	0.69	17.6	15.9	0.45	42
D4028V12LBD-K	12	0.18	2.16	8000	0.46	11.6	13.9	0.39	40
D4028V24SLBD-K	24	0.27	6.48	13000	1.32	33.7	23.8	0.67	54
D4028V24HBD-K	24	0.2	4.8	11000	0.92	23.4	18.7	0.53	48
D4028V24MBD-K	24	0.15	3.6	9500	0.69	17.6	15.9	0.45	42

**AIR PERFORMANCE**



# D 5010

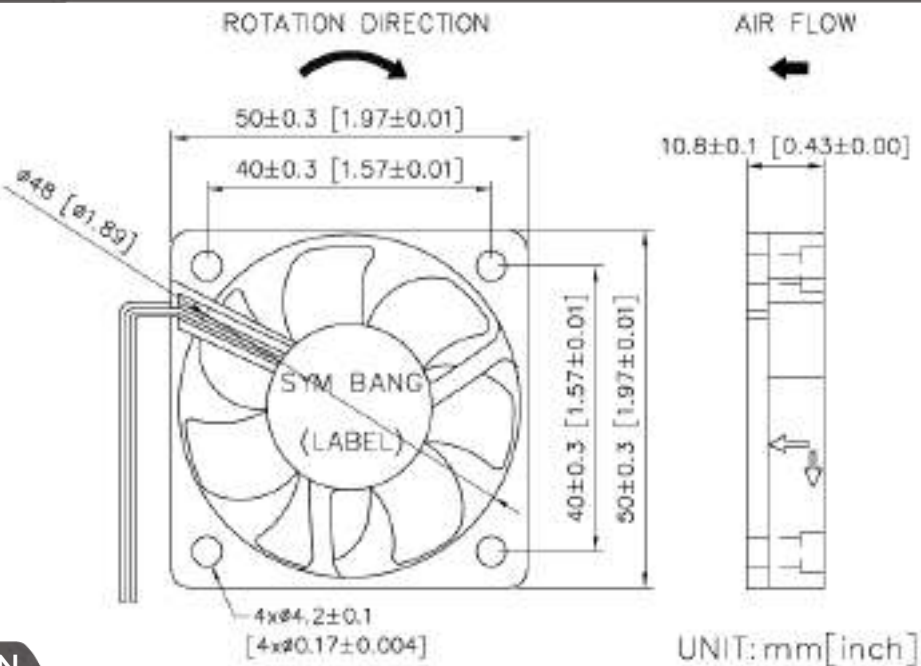
50X5X10mm(1.97"x1.97"x0.39")



HOUSING Thermoplastic PBT, UL94V-0  
 IMPELLER Thermoplastic PBT, UL94V-0  
 BEARING Ball or Sleeve  
 OPERATING TEMPERATURE -10°C to + 60°C  
 DIELECTRIC STRENGTH 5mA Max. at 500 VAC for 1 minute  
 INSULATION RESISTANCE 10M  $\Omega$  min. @500 VDC  
 WEIGHT 20 g  
 ROHS COMPLIANCE Yes  
 IP LEVEL IP21 (Special IP Rating On Request)

# 50 mm

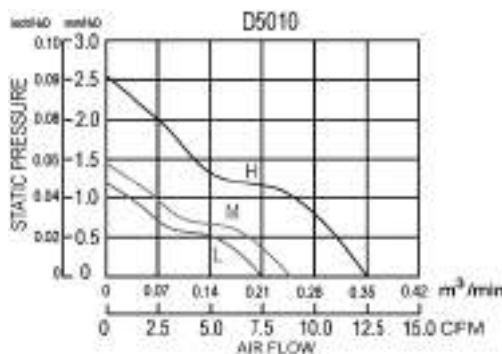
## DIMENSION



## SPECIFICATION

MODEL NO.	RATED VOLTAGE (V)	RATED CURRENT (A)	INPUT POWER (W)	SPEED (RPM)	MAX. AIR PRESSURE		MAX. AIR FLOW		NOISE dB(A) @1M
					inch/H2O	mm/H2O	CFM	m3/min	
D5010V12H	12	0.16	1.92	5500	0.1	2.54	12.21	0.35	32
D5010V12M	12	0.1	1.2	4000	0.06	1.46	8.79	0.25	29
D5010V12L	12	0.07	0.84	3500	0.05	1.2	7.49	0.21	20

## AIR PERFORMANCE



# D

# 5015

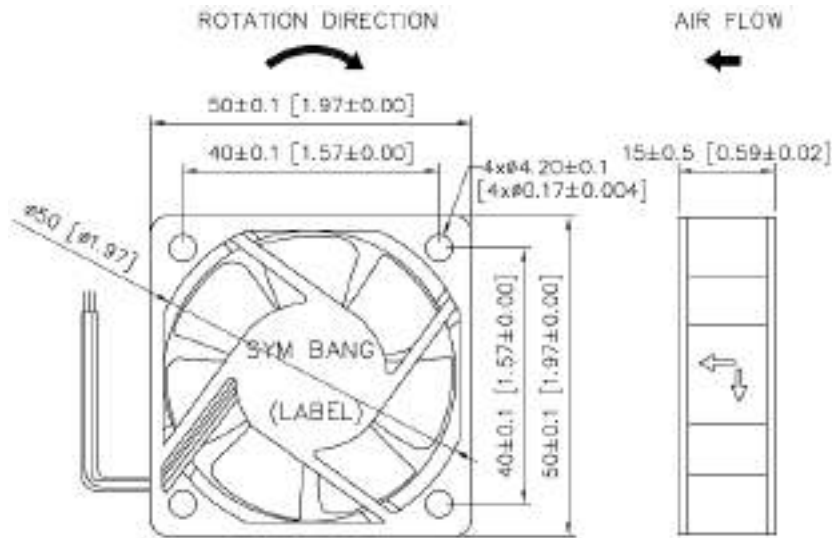
50X50X15mm(1.97"x1.97"x0.59")



HOUSING	Thermoplastic PBT, UL94V-0
IMPELLER	Thermoplastic PBT, UL94V-0
BEARING	Ball or Sleeve
OPERATING TEMPERATURE	-10°C to + 60°C
DIELECTRIC STRENGTH	5mA Max. at 500 VAC for 1 minute
INSULATION RESISTANCE	10M $\Omega$ min. @500 VDC
WEIGHT	30 g
ROHS COMPLIANCE	Yes
IP LEVEL	IP21 (Special IP Rating On Request)

# 50 mm

## DIMENSION

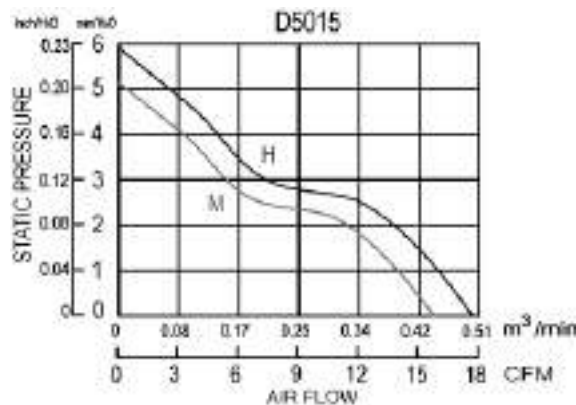


UNIT: mm[inch]

## SPECIFICATION

MODEL NO.	RATED VOLTAGE (V)	RATED CURRENT (A)	INPUT POWER (W)	SPEED (RPM)	MAX. AIR PRESSURE		MAX. AIR FLOW		NOISE dB(A) @1M
					inch/H <sub>2</sub> O	mm/H <sub>2</sub> O	CFM	m <sup>3</sup> /min	
D5015V12H	12	0.19	2.28	6300	0.23	5.93	17.22	0.49	38
D5015V12M	12	0.15	1.8	5600	0.2	5.16	15.75	0.45	35

## AIR PERFORMANCE

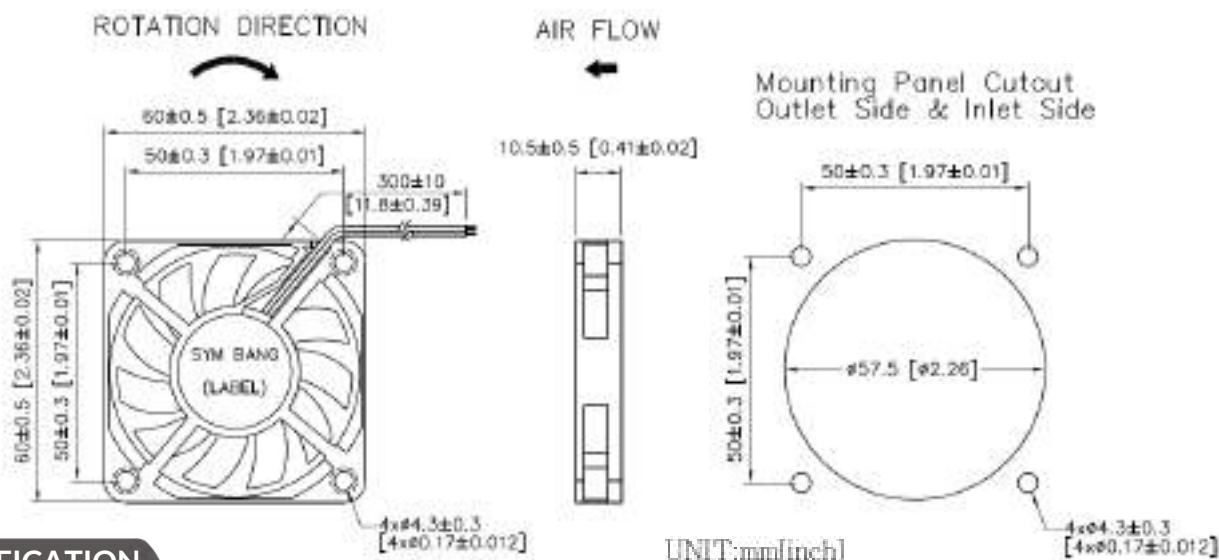


**D****6010-K**

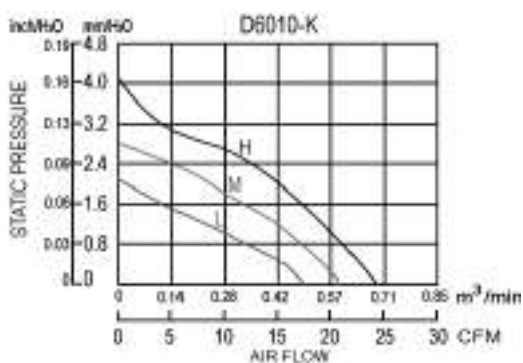
60X60X10mm(2.36"x2.36"x0.39")

**CE**

HOUSING Thermoplastic PBT, UL94V-0  
 IMPELLER Thermoplastic PBT, UL94V-0  
 BEARING Ball or Sleeve  
 OPERATING TEMPERATURE -10°C to + 70°C  
 DIELECTRIC STRENGTH 5mA Max. at 500 VAC for 1 minute  
 INSULATION RESISTANCE 10M  $\Omega$  min. @500 VDC  
 WEIGHT 26 g  
 ROHS COMPLIANCE Yes  
 IP LEVEL IP21 (Special IP Rating On Request)

**60** mm**DIMENSION****SPECIFICATION**

MODEL NO.	RATED VOLTAGE (V)	RATED CURRENT (A)	INPUT POWER (W)	SPEED (RPM)	MAX. AIR PRESSURE		MAX. AIR FLOW		NOISE dB(A) @1M
					inch/H <sub>2</sub> O	mm/H <sub>2</sub> O	CFM	m <sup>3</sup> /min	
D6010V5M-K	5	0.38	1.90	4200	0.12	3.00	20.8	0.59	33
D6010V5L-K	5	0.30	1.50	3500	0.08	2.1	17.4	0.49	28
D6010V12H-K	12	0.24	2.88	4900	0.16	4.1	24.3	0.69	37
D6010V12M-K	12	0.17	2.04	4200	0.12	3.00	20.8	0.59	33
D6010V12L-K	12	0.14	1.68	3500	0.08	2.1	17.4	0.49	28
D6010V24H-K	24	0.10	2.40	4900	0.16	4.1	24.3	0.69	37
D6010V24M-K	24	0.08	1.92	4200	0.12	3.00	20.8	0.59	33
D6010V24L-K	24	0.05	1.20	3500	0.08	2.1	17.4	0.49	28

**AIR PERFORMANCE**

# D6015-K

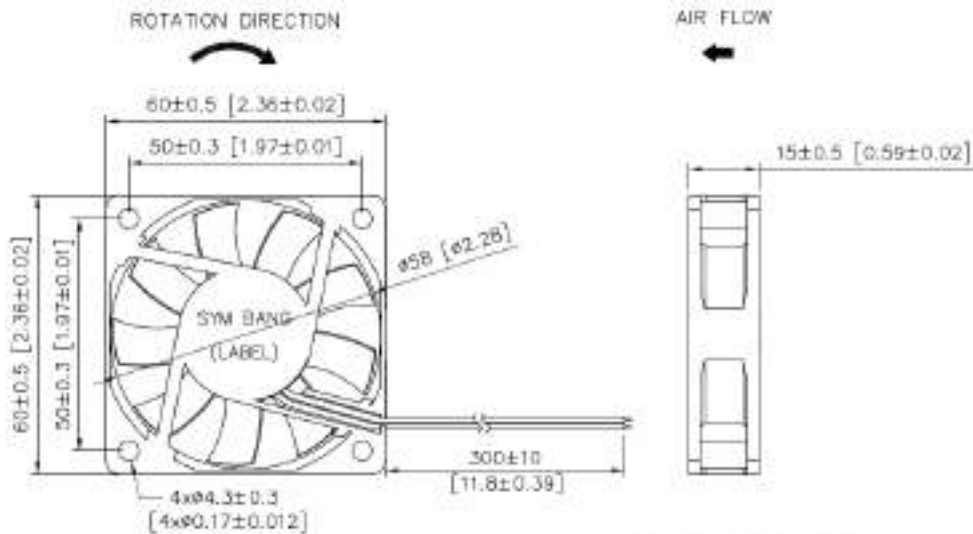
60X60X15mm(2.36"x2.36"x0.59")



HOUSING	Thermoplastic PBT, UL94V-0
IMPELLER	Thermoplastic PBT, UL94V-0
BEARING	Ball or Sleeve
OPERATING TEMPERATURE	-10°C to + 60°C
DIELECTRIC STRENGTH	5mA Max. at 500 VAC for 1 minute
INSULATION RESISTANCE	10M $\Omega$ min. @500 VDC
WEIGHT	35 g
ROHS COMPLIANCE	Yes
IP LEVEL	IP21 (Special IP Rating On Request)

# 60 mm

## DIMENSION

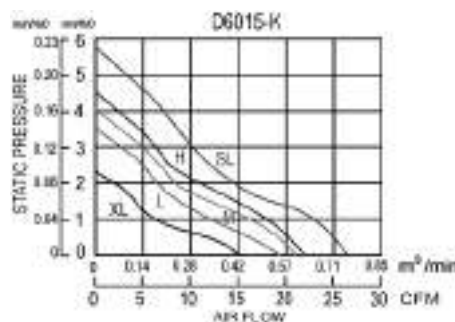


UNIT: mm[inch]

## SPECIFICATION

MODEL NO.	RATED VOLTAGE (V)	RATED CURRENT (A)	INPUT POWER (W)	SPEED (RPM)	MAX. AIR PRESSURE		MAX. AIR FLOW		NOISE dB(A) @1M
					inch/H2O	mm/H2O	CFM	m3/min	
D6015V12SL-K	12	0.26	3.12	5000	0.23	5.7	26.5	0.75	37
D6015V12H-K	12	0.18	2.16	4500	0.18	4.6	23.1	0.65	35
D6015V12M-K	12	0.14	1.68	4000	0.16	4.1	21.7	0.62	32
D6015V12L-K	12	0.12	1.44	3500	0.14	3.5	19	0.54	29
D6015V12XL-K	12	0.1	1.2	3000	0.09	2.3	15	0.46	24
D6015V24SL-K	24	0.11	2.64	5000	0.23	5.7	26.5	0.75	37
D6015V24H-K	24	0.1	2.4	4500	0.18	4.6	23.1	0.65	35
D6015V24M-K	24	0.08	1.92	4000	0.16	4.1	21.7	0.62	32
D6015V24L-K	24	0.06	1.44	3500	0.14	3.5	19	0.54	29
D6015V24XL-K	24	0.04	0.96	3000	0.09	2.3	15	0.43	24

## AIR PERFORMANCE



# D

# 6020

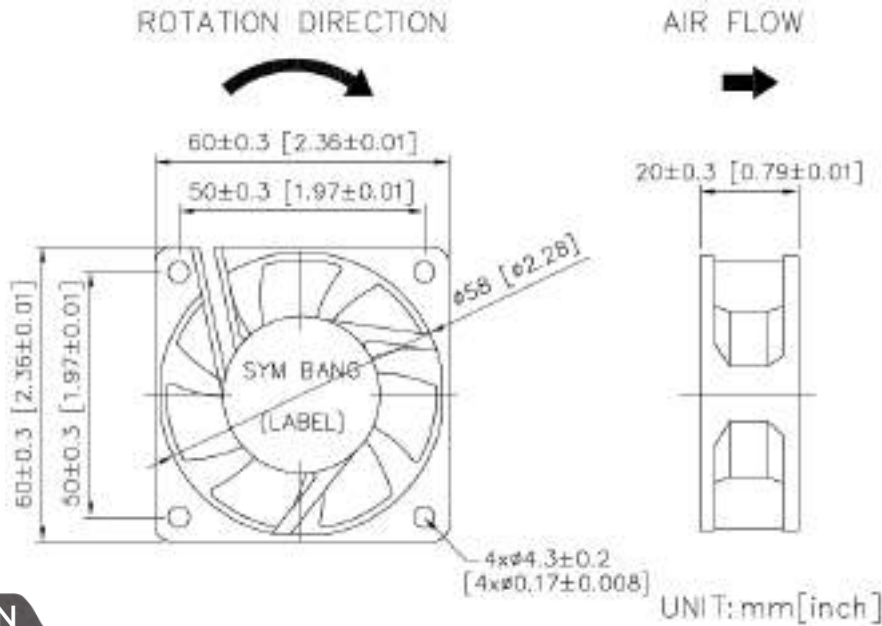
60X60X20mm(2.36"x2.36"x0.79")



HOUSING	Thermoplastic PBT, UL94V-0
IMPELLER	Thermoplastic PBT, UL94V-0
BEARING	Ball or Sleeve
OPERATING TEMPERATURE	-10°C to + 60°C
DIELECTRIC STRENGTH	5mA Max. at 500 VAC for 1 minute
INSULATION RESISTANCE	10M $\Omega$ min. @500 VDC
WEIGHT	49 g
ROHS COMPLIANCE	Yes
IP LEVEL	IP21 (Special IP Rating On Request)

# 60 mm

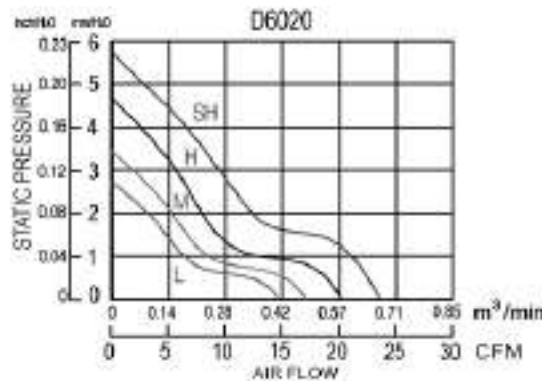
## DIMENSION




## SPECIFICATION

MODEL NO.	RATED VOLTAGE (V)	RATED CURRENT (A)	INPUT POWER (W)	SPEED (RPM)	MAX. AIR PRESSURE		MAX. AIR FLOW		NOISE dB(A) @1M
					inch/H2O	mm/H2O	CFM	m3/min	
D6020V12SH	12	0.25	3	4800	0.22	5.7	23.4	0.66	35.5
D6020V12H	12	0.18	2.16	4200	0.18	4.6	20.3	0.57	30.4
D6020V12M	12	0.15	1.8	3600	0.13	3.4	17.3	0.49	26.2
D6020V12L	12	0.12	1.44	3200	0.11	2.7	14.4	0.41	24.8

## AIR PERFORMANCE



# D 6025-03

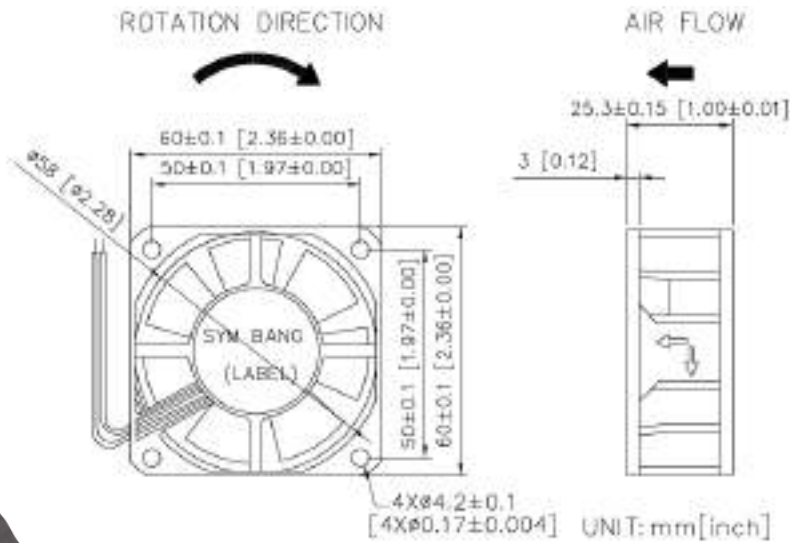
60X60X25mm(2.36"x2.36"x0.98") 



HOUSING	Thermoplastic PBT, UL94V-0
IMPELLER	Thermoplastic PBT, UL94V-0
BEARING	Ball or Sleeve
OPERATING TEMPERATURE	-10°C to + 70°C
DIELECTRIC STRENGTH	5mA Max. at 500 VAC for 1 minute
INSULATION RESISTANCE	10M $\Omega$ min. @500 VDC
WEIGHT	70 g
ROHS COMPLIANCE	Yes
IP LEVEL	IP21 (Special IP Rating On Request)

# 60 mm

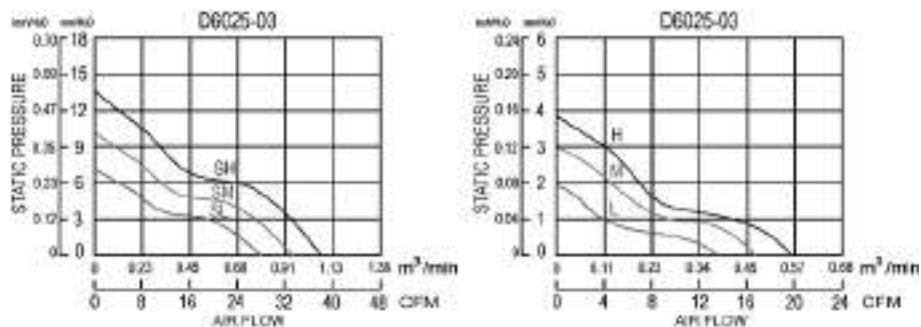
## DIMENSION



## SPECIFICATION

MODEL NO.	RATED VOLTAGE (V)	RATED CURRENT (A)	INPUT POWER (W)	SPEED (RPM)	MAX. AIR PRESSURE		MAX. AIR FLOW		NOISE dB(A) @1M
					inch/H <sub>2</sub> O	mm/H <sub>2</sub> O	CFM	m <sup>3</sup> /min	
D6025V12SH-03	12	0.39	4.68	7000	0.53	13.4	38.4	1.09	47.0
D6025V12SM-03	12	0.34	4.08	6000	0.41	10.3	33.2	0.94	42.0
D6025V12SL-03	12	0.23	2.76	5000	0.29	7.25	27.4	0.78	38.0
D6025V12H-03	12	0.13	1.56	3800	0.20	3.80	19.5	0.60	29.7
D6025V12M-03	12	0.11	1.32	3200	0.10	2.90	16.5	0.50	26.5
D6025V12L-03	12	0.09	1.08	2600	0.10	1.90	13.5	0.40	25.7
D6025V24SH-03	24	0.22	5.28	7000	0.53	13.4	38.4	1.09	47.0
D6025V24SM-03	24	0.18	4.32	6000	0.41	10.3	33.2	0.94	42.0
D6025V24SL-03	24	0.13	3.12	5000	0.29	7.25	27.4	0.78	38.0
D6025V24H-03	24	0.12	2.88	3800	0.20	3.80	19.5	0.60	29.7
D6025V24M-03	24	0.10	2.40	3200	0.10	2.90	16.5	0.50	26.5
D6025V24L-03	24	0.08	1.92	2600	0.10	1.90	13.2	0.40	25.7

## AIR PERFORMANCE



# D

# 6025-K

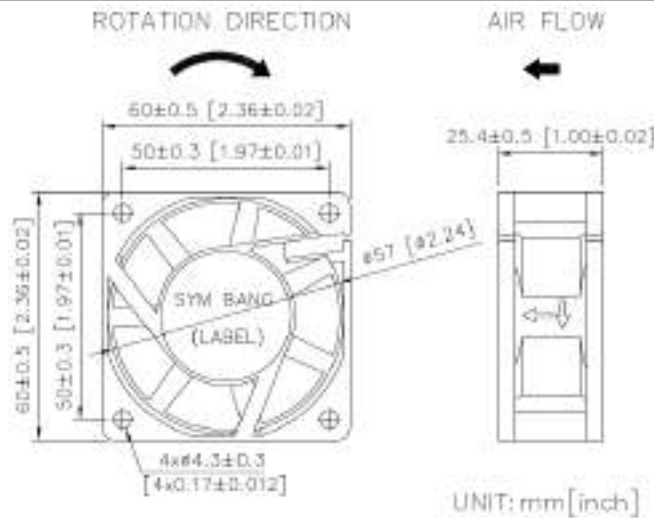
60X60X25mm(2.36"x2.36"x0.98")



HOUSING Thermoplastic PBT, UL94V-0  
 IMPELLER Thermoplastic PBT, UL94V-0  
 BEARING Ball or Sleeve  
 OPERATING TEMPERATURE -10°C to + 70°C  
 DIELECTRIC STRENGTH 5mA Max. at 500 VAC for 1 minute  
 INSULATION RESISTANCE 10M  $\Omega$  min. @500 VDC  
 WEIGHT 57 g  
 ROHS COMPLIANCE Yes  
 IP LEVEL IP21 (Special IP Rating On Request)

# 60 mm

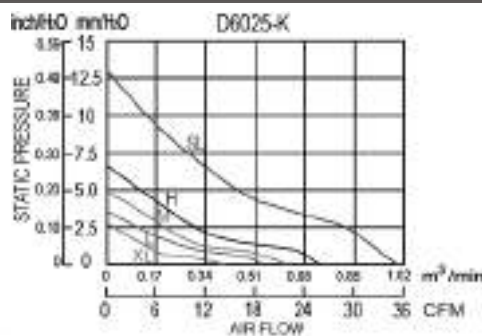
## DIMENSION



## SPECIFICATION

MODEL NO.	RATED VOLTAGE (V)	RATED CURRENT (A)	INPUT POWER (W)	SPEED (RPM)	MAX. AIR PRESSURE		MAX. AIR FLOW		NOISE dB(A) @1M
					inch/H <sub>2</sub> O	mm/H <sub>2</sub> O	CFM	m <sup>3</sup> /min	
D6025V12SL-K	12	0.36	4.32	6800	0.51	13	34.8	0.99	46.5
D6025V12H-K	12	0.35	4.2	5000	0.26	6.5	25.6	0.73	40
D6025V12M-K	12	0.16	1.92	4250	0.19	4.83	21.5	0.61	34
D6025V12L-K	12	0.12	1.44	3600	0.14	3.56	18.5	0.52	31
D6025V12XL-K	12	0.1	1.2	3100	0.1	2.54	14.1	0.4	26
D6025V24H-K	24	0.2	4.8	5000	0.26	6.5	25.6	0.73	40
D6025V24M-K	24	0.11	2.64	4250	0.19	4.83	21.5	0.61	34
D6025V24L-K	24	0.08	1.92	3600	0.14	3.56	18.5	0.52	31
D6025V24XL-K	24	0.06	1.44	3100	0.1	2.54	14.1	0.4	26
D6025V48H-K	48	0.12	5.76	5000	0.26	6.5	25.6	0.73	40
D6025V48M-K	48	0.07	3.36	4250	0.19	4.83	21.5	0.61	34
D6025V48L-K	48	0.06	2.88	3600	0.14	3.56	18.5	0.52	31
D6025V48XL-K	48	0.05	2.4	3100	0.1	2.54	14.1	0.4	26

## AIR PERFORMANCE



**D**

# 6025-TK-3PL

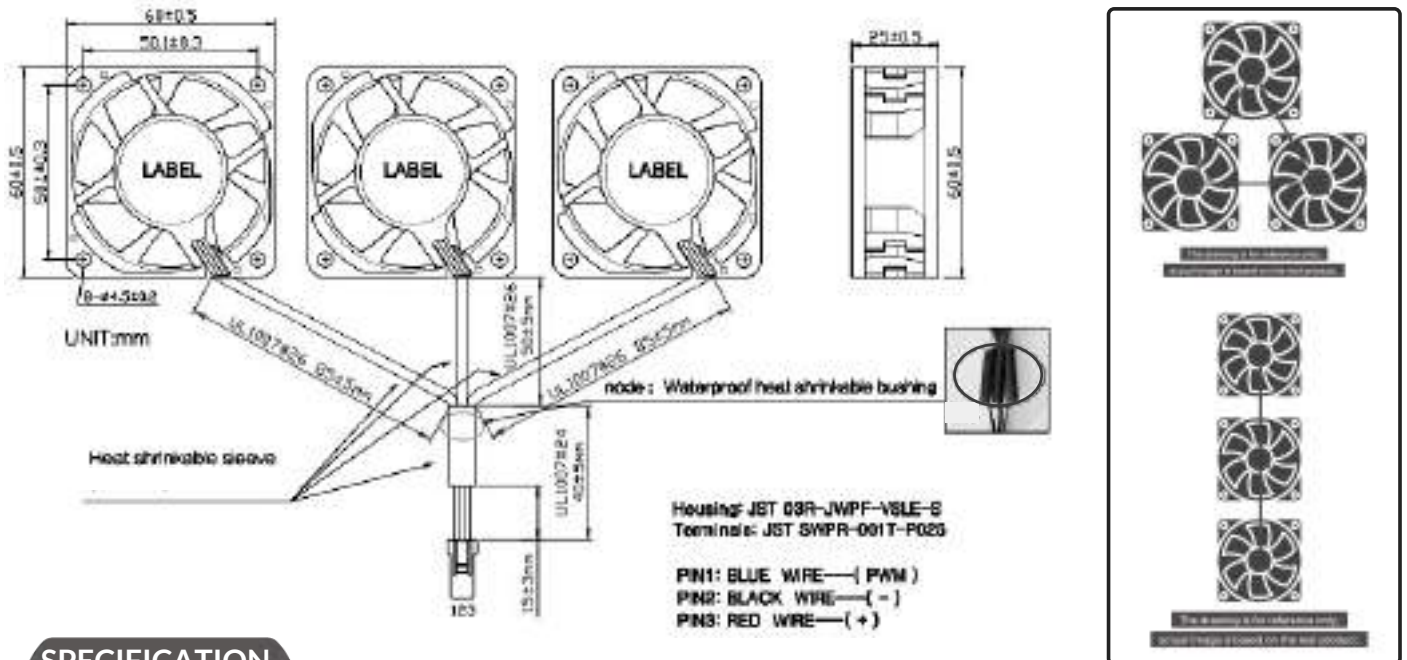
60X60X25mm(2.36"x2.36"x0.98")



HOUSING	Thermoplastic PBT, UL94V-0
IMPELLER	Thermoplastic PBT, UL94V-0
HOUSING	JST 03R-JWPF-VSLE-S
TERMINALS	JST SWPR-001T-P025
BEARING	Ball
OPERATING TEMPERATURE	-10°C to + 70°C
DIELECTRIC STRENGTH	5mA Max. at 500 VAC for 1 minute
INSULATION RESISTANCE	10M $\Omega$ min. @500 VDC
WEIGHT	192.2 g
ROHS COMPLIANCE	Yes
IP LEVEL	IP68(Coating)

# 60 mm

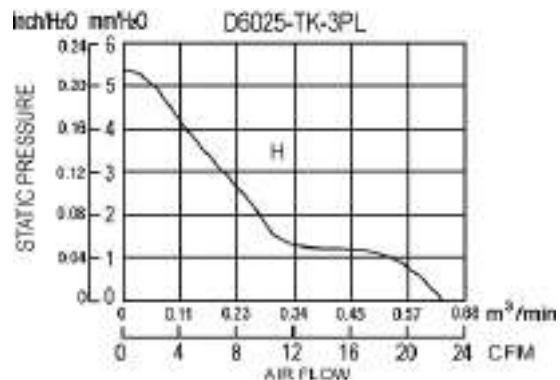
## DIMENSION



## SPECIFICATION

MODEL NO.	RATED VOLTAGE (V)	RATED CURRENT (A)	INPUT POWER (W)	SPEED (RPM)	MAX. AIR PRESSURE		MAX. AIR FLOW		NOISE dB(A) @1M
					inch/H <sub>2</sub> O	mm/H <sub>2</sub> O	CFM	m <sup>3</sup> /min	
D6025V12HB-TK-3PL	12	0.38(set)	4.56(set)	4200	0.15	5.3	22.31	0.63	33

## AIR PERFORMANCE





# D

# 6025-YH2

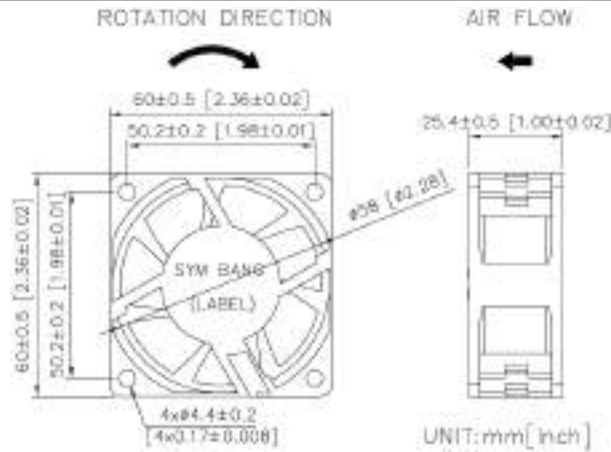
60X60X25mm(2.36"x2.36"x0.98") 



HOUSING	Thermoplastic PBT, UL94V-0
IMPELLER	Thermoplastic PBT, UL94V-0
BEARING	Ball or Sleeve
OPERATING TEMPERATURE	-10°C to + 70°C
DIELECTRIC STRENGTH	5mA Max. at 500 VAC for 1 minute
INSULATION RESISTANCE	10M Ω min. @500 VDC
WEIGHT	61.2 g
ROHS COMPLIANCE	Yes
IP LEVEL	IP21 (Special IP Rating On Request)

# 60 mm

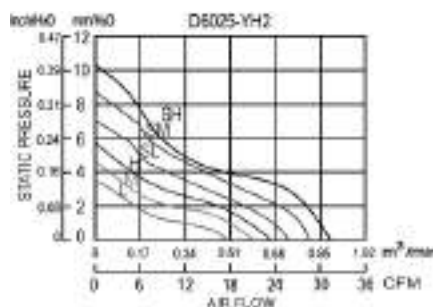
## DIMENSION



## SPECIFICATION

MODEL NO.	RATED VOLTAGE (V)	RATED CURRENT (A)	INPUT POWER (W)	SPEED (RPM)	MAX. AIR PRESSURE		MAX. AIR FLOW		NOISE dB(A) @1M
					inch/H <sub>2</sub> O	mm/H <sub>2</sub> O	CFM	m <sup>3</sup> /min	
D6025V12SH-YH2	12	0.40	5.04	6000	0.41	10.39	31.21	0.88	45.4
D6025V12SM-YH2	12	0.30	3.84	5500	0.35	8.81	28.50	0.81	42.0
D6025V12SL-YH2	12	0.23	2.76	5000	0.28	7.18	25.69	0.73	39.2
D6025V12H-YH2	12	0.19	2.28	4500	0.23	5.76	23.32	0.66	37.2
D6025V12M-YH2	12	0.17	2.04	4000	0.18	4.58	20.67	0.59	33.9
D6025V12L-YH2	12	0.14	1.68	3500	0.14	3.56	17.77	0.50	30.4
D6025V24SH-YH2	24	0.18	4.32	6000	0.41	10.39	31.21	0.88	45.4
D6025V24SM-YH2	24	0.16	3.84	5500	0.35	8.81	28.50	0.81	42.0
D6025V24SL-YH2	24	0.12	2.88	5000	0.28	7.18	25.69	0.73	39.2
D6025V24H-YH2	24	0.10	2.64	4500	0.23	5.76	23.32	0.66	37.2
D6025V24M-YH2	24	0.10	2.40	4000	0.18	4.58	20.67	0.59	33.9
D6025V24L-YH2	24	0.10	1.68	3500	0.14	3.56	17.77	0.50	30.4
D6025V48SH-YH2	48	0.10	4.80	6000	0.41	10.39	31.21	0.88	45.4
D6025V48SM-YH2	48	0.09	4.32	5500	0.35	8.81	28.50	0.81	42.0
D6025V48SL-YH2	48	0.07	3.36	5000	0.28	7.18	25.69	0.73	39.2
D6025V48H-YH2	48	0.06	2.88	4500	0.23	5.76	23.32	0.66	37.2
D6025V48M-YH2	48	0.05	2.40	4000	0.18	4.58	20.67	0.59	33.9

## AIR PERFORMANCE

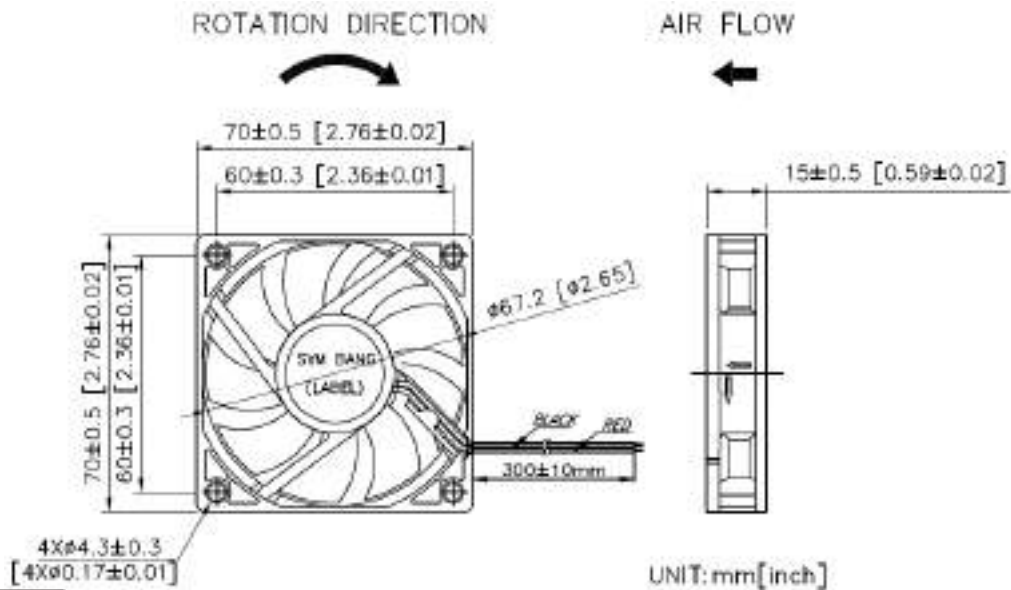


**D****7015-K**

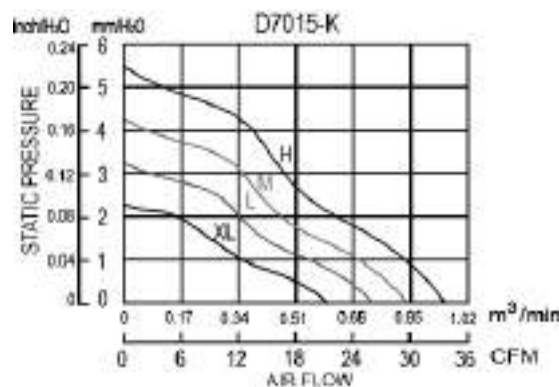
70X70X15mm(2.76"x2.76"x0.59")

**CE**

HOUSING	Thermoplastic PBT, UL94V-0
IMPELLER	Thermoplastic PBT, UL94V-0
BEARING	Ball or Sleeve
OPERATING TEMPERATURE	-10°C to + 70°C
DIELECTRIC STRENGTH	5mA Max. at 500 VAC for 1 minute
INSULATION RESISTANCE	10M $\Omega$ min. @500 VDC
WEIGHT	51 g
ROHS COMPLIANCE	Yes
IP LEVEL	IP21 (Special IP Rating On Request)

**70** mm**DIMENSION****SPECIFICATION**

MODEL NO.	RATED VOLTAGE (V)	RATED CURRENT (A)	INPUT POWER (W)	SPEED (RPM)	MAX. AIR PRESSURE		MAX. AIR FLOW		NOISE dB(A) @1M
					inch/H <sub>2</sub> O	mm/H <sub>2</sub> O	CFM	m <sup>3</sup> /min	
D7015V12H-K	12	0.28	3.36	4300	0.22	5.5	33.5	0.95	39
D7015V12M-K	12	0.18	2.16	3800	0.17	4.3	29.6	0.84	35
D7015V12L-K	12	0.13	1.56	3300	0.13	3.3	25.7	0.73	31
D7015V12XL-K	12	0.11	1.23	2800	0.09	2.3	21.1	0.6	27

**AIR PERFORMANCE**

# D

# 7025

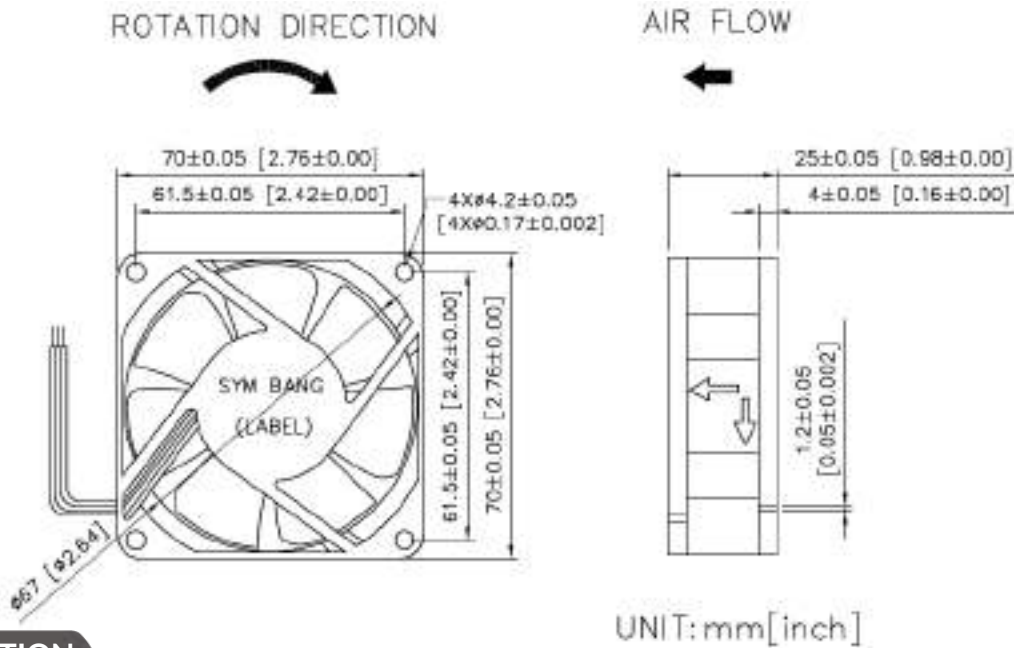
70X70X25mm(2.76"x2.76"x0.98")



HOUSING	Thermoplastic PBT, UL94V-0
IMPELLER	Thermoplastic PBT, UL94V-0
BEARING	Ball or Sleeve
OPERATING TEMPERATURE	-10°C to + 60°C
DIELECTRIC STRENGTH	5mA Max. at 500 VAC for 1 minute
INSULATION RESISTANCE	10M $\Omega$ min. @500 VDC
WEIGHT	85 g
ROHS COMPLIANCE	Yes
IP LEVEL	IP21 (Special IP Rating On Request)

# 70 mm

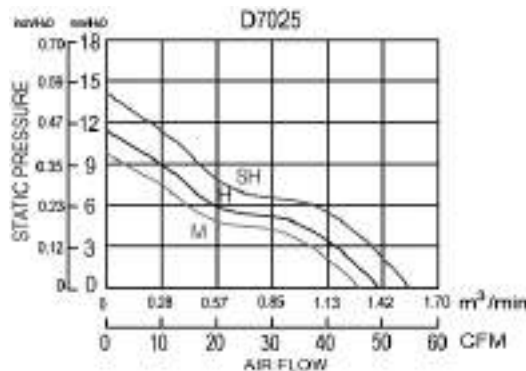
## DIMENSION



## SPECIFICATION

MODEL NO.	RATED VOLTAGE (V)	RATED CURRENT (A)	INPUT POWER (W)	SPEED (RPM)	MAX. AIR PRESSURE		MAX. AIR FLOW		NOISE dB(A) @1M
					inch/H <sub>2</sub> O	mm/H <sub>2</sub> O	CFM	m <sup>3</sup> /min	
D7025V12SH	12	0.62	7.44	6000	0.55	14	54	1.53	48
D7025V12H	12	0.52	6.24	5500	0.45	11.49	49.36	1.4	45
D7025V12M	12	0.33	3.93	5000	0.39	9.88	45.31	1.28	30

## AIR PERFORMANCE



# D 7025-K

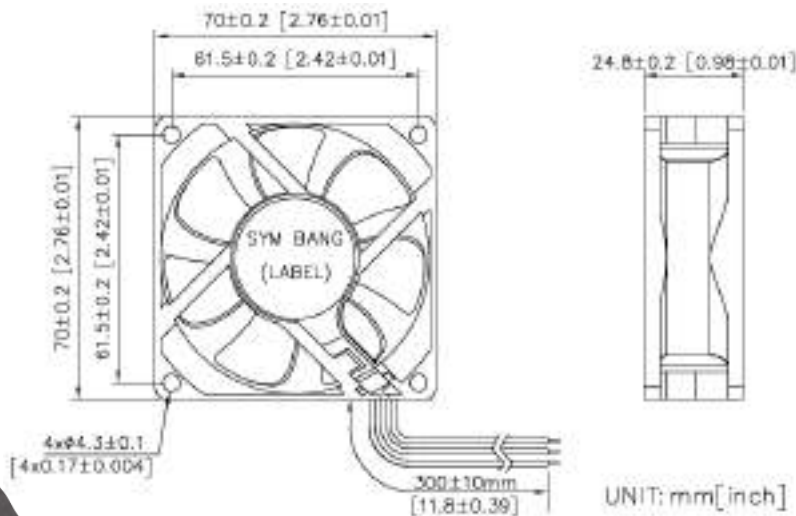
70X70X25mm(2.76"x2.76"x0.98")



HOUSING	Thermoplastic PBT, UL94V-0
IMPELLER	Thermoplastic PBT, UL94V-0
BEARING	Ball or Sleeve
OPERATING TEMPERATURE	-10°C to + 70°C
DIELECTRIC STRENGTH	5mA Max. at 500 VAC for 1 minute
INSULATION RESISTANCE	10M $\Omega$ min. @500 VDC
WEIGHT	74 g
ROHS COMPLIANCE	Yes
IP LEVEL	IP21 (Special IP Rating On Request)

# 70 mm

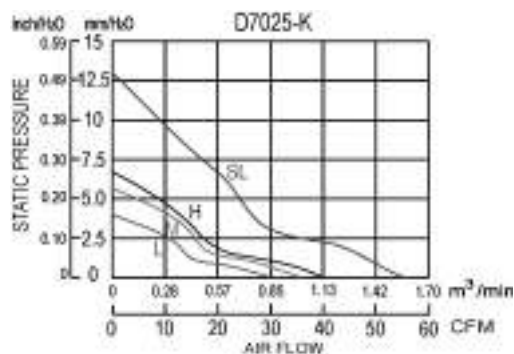
## DIMENSION



## SPECIFICATION

MODEL NO.	RATED VOLTAGE (V)	RATED CURRENT (A)	INPUT POWER (W)	SPEED (RPM)	MAX. AIR PRESSURE		MAX. AIR FLOW		NOISE dB(A) @1M
					inch/H <sub>2</sub> O	mm/H <sub>2</sub> O	CFM	m <sup>3</sup> /min	
D7025V12L-K	12	0.07	0.84	3000	0.15	3.9	30	0.85	27
D7025V12M-K	12	0.09	1.08	3600	0.22	5.5	35.6	1.01	32
D7025V12H-K	12	0.13	1.56	4000	0.27	6.8	39.9	1.13	37
D7025V12SL-K	12	0.35	4.2	5500	0.5	12.8	54.8	1.55	45
D7025V24L-K	24	0.05	1.2	3000	0.15	3.9	30	0.85	27
D7025V24M-K	24	0.06	1.44	3600	0.22	5.5	35.6	1.01	32
D7025V24H-K	24	0.08	1.92	4000	0.27	6.8	39.9	1.13	37
D7025V24SL-K	24	0.16	3.84	5500	0.5	12.8	54.8	1.55	45
D7025V48L-K	48	0.04	1.92	3000	0.15	3.9	30	0.85	27
D7025V48M-K	48	0.05	2.4	3600	0.22	5.5	35.6	1.01	32
D7025V48H-K	48	0.07	3.36	4000	0.27	6.8	39.9	1.13	37

## AIR PERFORMANCE



# D

# 8010

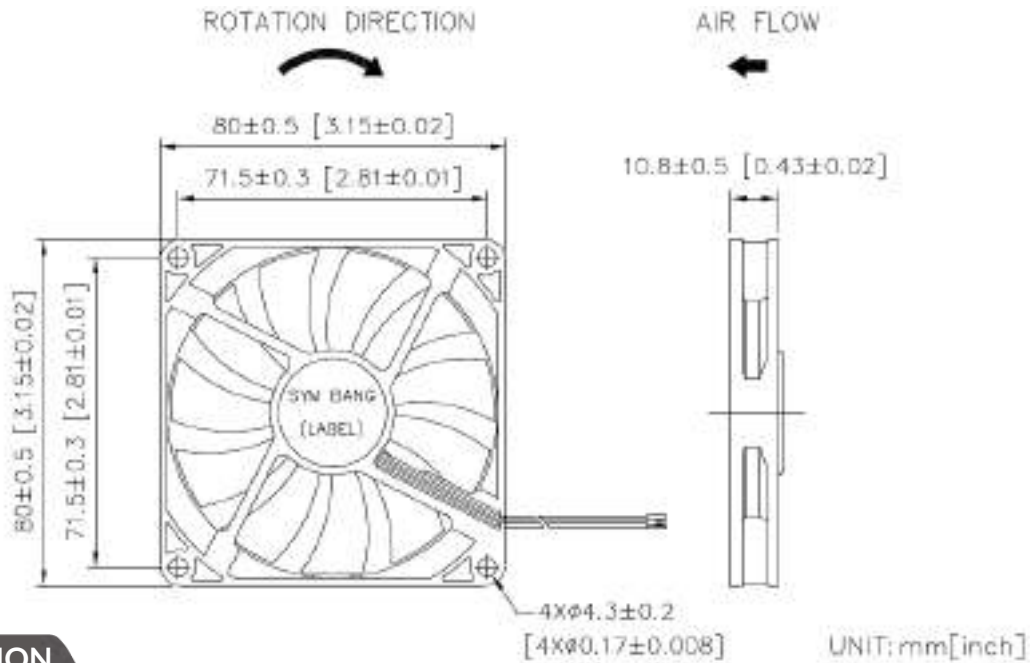
80X80X10.8mm(3.15"x3.15"x0.43")



HOUSING	Thermoplastic PBT, UL94V-0
IMPELLER	Thermoplastic PBT, UL94V-0
BEARING	Ball or Sleeve
TERMINATION	Lead Wire
OPERATING TEMPERATURE	-10°C to + 60°C
DIELECTRIC STRENGTH	5mA Max. at 500 VAC for 1 minute
INSULATION RESISTANCE	10M $\Omega$ min. @500 VDC
WEIGHT	41 g
ROHS COMPLIANCE	Yes
IP LEVEL	IP21 (Special IP Rating On Request)

# 80 mm

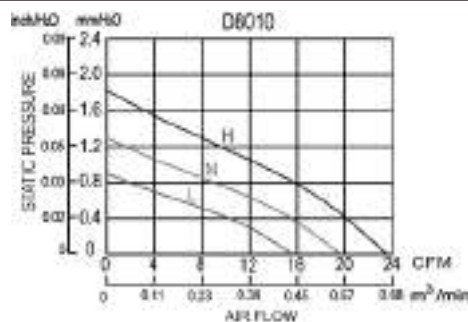
## DIMENSION



## SPECIFICATION

MODEL NO.	RATED VOLTAGE (V)	RATED CURRENT (A)	INPUT POWER (W)	SPEED (RPM)	MAX. AIR PRESSURE		MAX. AIR FLOW		NOISE dB(A) @1M
					inch/H2O	mm/H2O	CFM	m3/min	
D8010V12H	12	0.24	2.9	3000	0.071	1.81	23.45	0.66	31
D8010V12M	12	0.18	2.2	2500	0.052	1.31	19.68	0.56	27
D8010V12L	12	0.12	1.4	2000	0.035	0.9	15.58	0.44	23
D8010V24H	24	0.14	3.4	3000	0.071	1.81	23.45	0.66	31
D8010V24M	24	0.11	2.6	2500	0.052	1.31	19.68	0.56	27
D8010V24L	24	0.08	1.9	2000	0.035	0.9	15.58	0.44	23

## AIR PERFORMANCE



# D8015

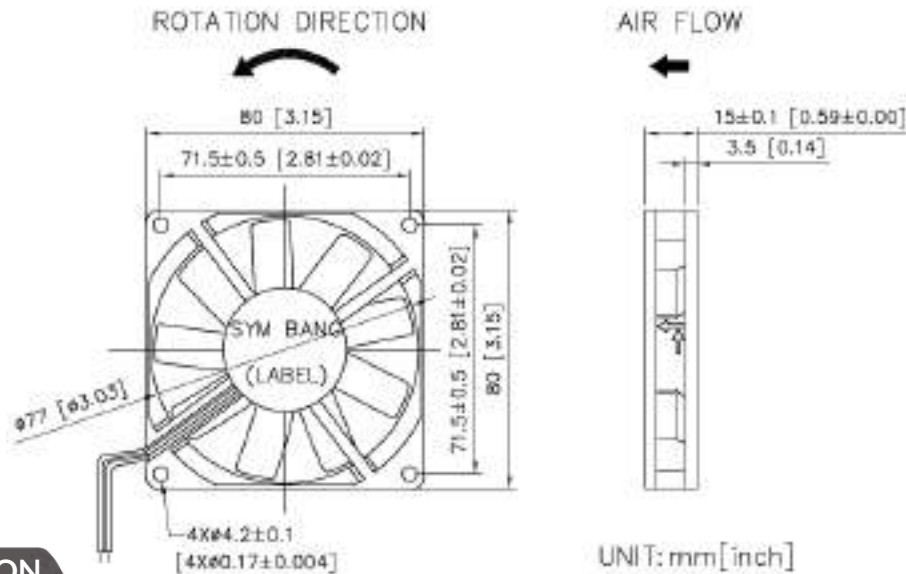
80X80X15mm(3.15"x3.15"x0.6")



HOUSING	Thermoplastic PBT, UL94V-0
IMPELLER	Thermoplastic PBT, UL94V-0
BEARING	Ball or Sleeve
OPERATING TEMPERATURE	-10°C to + 60°C
DIELECTRIC STRENGTH	5mA Max. at 500 VAC for 1 minute
INSULATION RESISTANCE	10M $\Omega$ min. @500 VDC
WEIGHT	59 g
ROHS COMPLIANCE	Yes
IP LEVEL	IP21 (Special IP Rating On Request)

# 80 mm

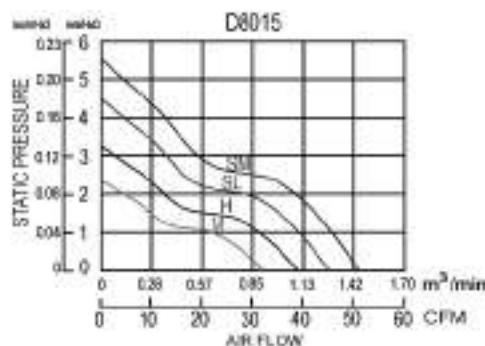
## DIMENSION



## SPECIFICATION

MODEL NO.	RATED VOLTAGE (V)	RATED CURRENT (A)	INPUT POWER (W)	SPEED (RPM)	MAX. AIR PRESSURE		MAX. AIR FLOW		NOISE dB(A) @1M
					inch/H <sub>2</sub> O	mm/H <sub>2</sub> O	CFM	m <sup>3</sup> /min	
D8015V12SM	12	0.45	5.4	4000	0.22	5.5	51	1.44	42
D8015V12SL	12	0.35	4.2	3500	0.17	4.4	45	1.27	40
D8015V12H	12	0.22	2.64	3000	0.13	3.2	39	1.1	35
D8015V12M	12	0.17	2.04	2500	0.09	2.3	32	0.91	31
D8015V24SM	24	0.24	5.76	4000	0.22	5.5	51	1.44	42
D8015V24SL	24	0.18	4.32	3500	0.17	4.4	45	1.27	40
D8015V24H	24	0.14	3.36	3000	0.13	3.2	39	1.1	35
D8015V24M	24	0.12	2.88	2500	0.09	2.3	32	0.91	31

## AIR PERFORMANCE



# D

# 8015-K

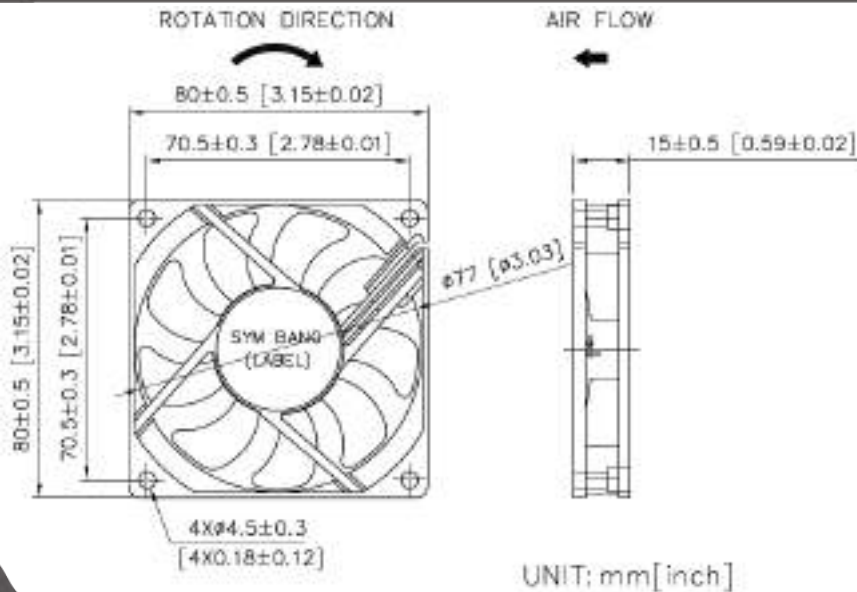
## 80X80X15mm(3.15"x3.15"x0.6")



HOUSING Thermoplastic PBT, UL94V-0  
 IMPELLER Thermoplastic PBT, UL94V-0  
 BEARING Ball or Sleeve  
 OPERATING TEMPERATURE -10°C to + 70°C  
 DIELECTRIC STRENGTH 5mA Max. at 500 VAC for 1 minute  
 INSULATION RESISTANCE 10M  $\Omega$  min. @500 VDC  
 WEIGHT 47 g  
 ROHS COMPLIANCE Yes  
 IP LEVEL IP21 (Special IP Rating On Request)

# 80 mm

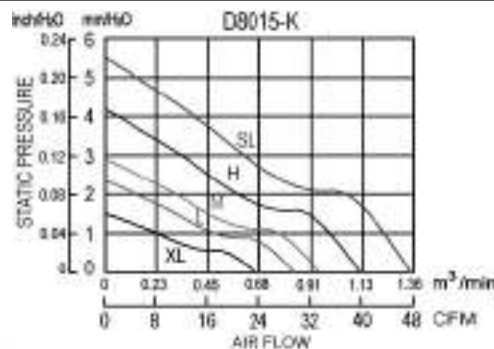
### DIMENSION



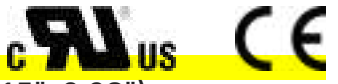
### SPECIFICATION

MODEL NO.	RATED VOLTAGE (V)	RATED CURRENT (A)	INPUT POWER (W)	SPEED (RPM)	MAX. AIR PRESSURE		MAX. AIR FLOW		NOISE dB(A) @1M
					inch/H <sub>2</sub> O	mm/H <sub>2</sub> O	CFM	m <sup>3</sup> /min	
D8015V12SL-K	12	0.3	3.6	4500	0.22	5.5	47.6	1.35	43
D8015V12H-K	12	0.15	1.8	3600	0.16	4.2	39.6	1.12	39
D8015V12M-K	12	0.11	1.3	3100	0.12	2.9	33.1	0.94	34
D8015V12L-K	12	0.08	0.9	2700	0.09	2.4	28.9	0.82	31
D8015V12XL-K	12	0.06	0.7	2400	0.06	1.5	23.1	0.65	28
D8015V24H-K	24	0.09	2.1	3600	0.16	4.2	39.6	1.12	39
D8015V24M-K	24	0.08	1.9	3100	0.12	2.9	33.1	0.94	34
D8015V24L-K	24	0.06	1.4	2700	0.09	2.4	28.9	0.82	31
D8015V24XL-K	24	0.04	0.9	2400	0.06	1.5	23.1	0.65	28

### AIR PERFORMANCE



# D 8025-03

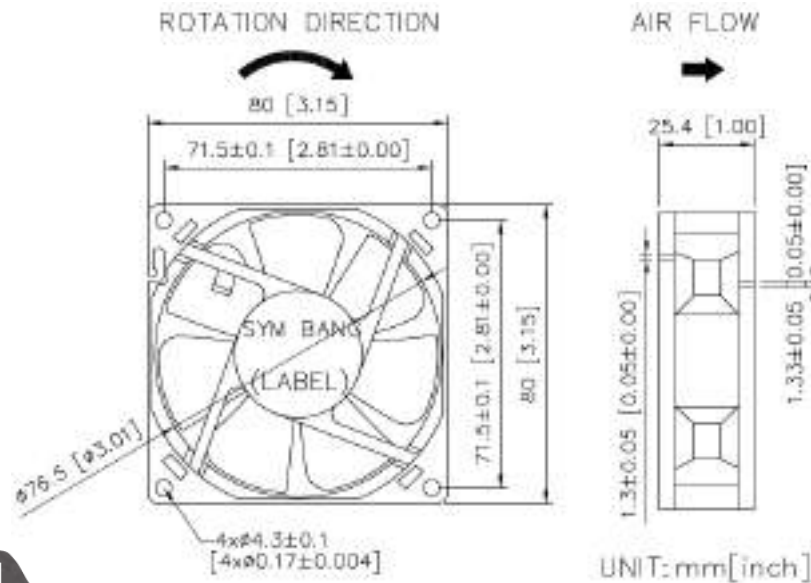
80X80X25mm(3.15"x3.15"x0.98") 



HOUSING	Thermoplastic PBT, UL94V-0
IMPELLER	Thermoplastic PBT, UL94V-0
BEARING	Ball
OPERATING TEMPERATURE	-10°C to + 60°C
DIELECTRIC STRENGTH	5mA Max. at 500 VAC for 1 minute
INSULATION RESISTANCE	10M $\Omega$ min. @500 VDC
WEIGHT	85 g
ROHS COMPLIANCE	Yes
IP LEVEL	IP21 (Special IP Rating On Request)

# 80 mm

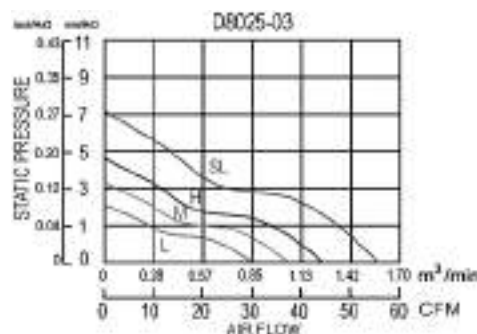
## DIMENSION



## SPECIFICATION

MODEL NO.	RATED VOLTAGE (V)	RATED CURRENT (A)	INPUT POWER (W)	SPEED (RPM)	MAX. AIR PRESSURE		MAX. AIR FLOW		NOISE dB(A) @1M
					inch/H <sub>2</sub> O	mm/H <sub>2</sub> O	CFM	m <sup>3</sup> /min	
D8025V12SL-03	12	0.4	4.8	4000	0.27	7.09	55.53	1.57	41
D8025V12H-03	12	0.3	3.6	3300	0.18	4.54	44	1.25	36
D8025V12M-03	12	0.2	2.4	2700	0.13	3.24	37	1.05	30
D8025V12L-03	12	0.15	1.8	2100	0.09	2.18	30	0.85	24
D8025V24SL-03	24	0.25	6	4000	0.27	7.09	55.53	1.57	41
D8025V24H-03	24	0.21	5.04	3300	0.18	4.54	44	1.25	36
D8025V24M-03	24	0.17	4.8	2700	0.13	3.24	37	1.05	30
D8025V24L-03	24	0.12	2.88	2100	0.09	2.18	30	0.85	24
D8025V48H-03	48	0.15	7.2	3300	0.18	4.54	44	1.25	36

## AIR PERFORMANCE





# D8025-K

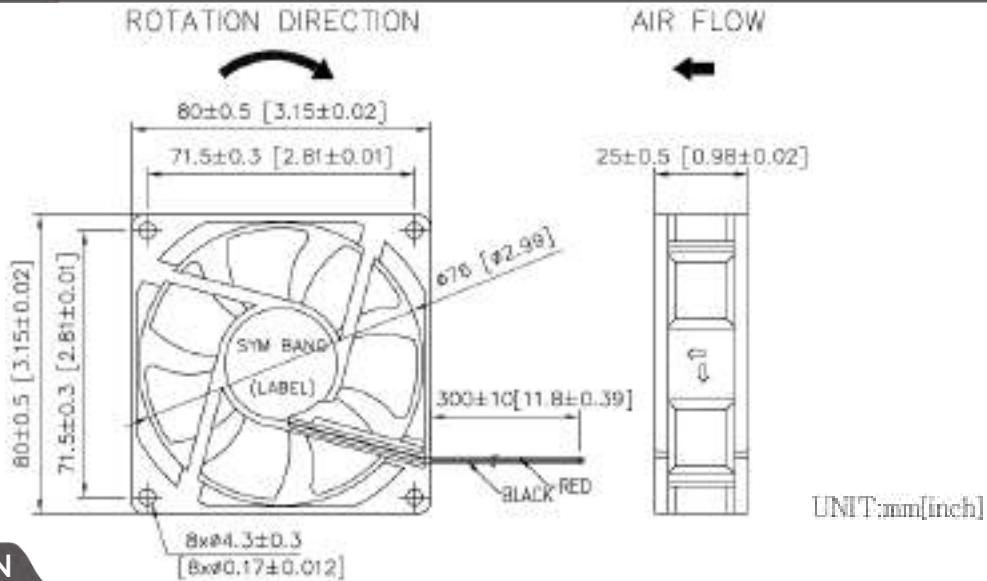
80X80X25mm(3.15"x3.15"x0.98")



HOUSING Thermoplastic PBT, UL94V-0  
 IMPELLER Thermoplastic PBT, UL94V-0  
 BEARING Ball or Sleeve  
 OPERATING TEMPERATURE -10°C to + 70°C  
 DIELECTRIC STRENGTH 5mA Max. at 500 VAC for 1 minute  
 INSULATION RESISTANCE 10M  $\Omega$  min. @500 VDC  
 WEIGHT 78 g  
 ROHS COMPLIANCE Yes  
 IP LEVEL IP21 (Special IP Rating On Request)

# 80 mm

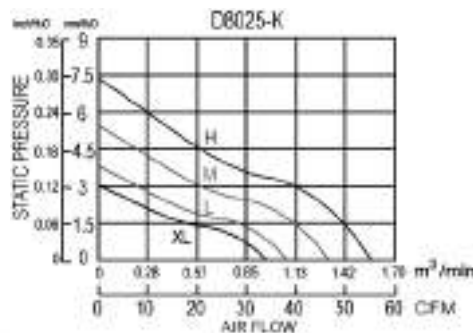
## DIMENSION



## SPECIFICATION

MODEL NO.	RATED VOLTAGE (V)	RATED CURRENT (A)	INPUT POWER (W)	SPEED (RPM)	MAX. AIR PRESSURE		MAX. AIR FLOW		NOISE dB(A) @1M
					inch/H2O	mm/H2O	CFM	m3/min	
D8025V12H-K	12	0.42	5.04	4300	0.29	7.4	55	1.56	40
D8025V12M-K	12	0.23	2.76	3600	0.21	5.4	46	1.31	36
D8025V12L-K	12	0.18	2.16	3000	0.15	3.9	38	1.09	31
D8025V12XL-K	12	0.13	1.56	2700	0.12	3.1	34	0.98	28
D8025V24H-K	24	0.21	5.04	4300	0.29	7.4	55	1.56	40
D8025V24M-K	24	0.16	3.84	3600	0.21	5.4	46	1.31	36
D8025V24L-K	24	0.10	2.40	3000	0.15	3.9	38	1.09	31
D8025V24XL-K	24	0.09	2.16	2700	0.12	3.1	34	0.98	28
D8025V48L-K	48	0.09	4.32	3000	0.15	3.9	38	1.09	31
D8025V48XL-K	48	0.07	3.36	2700	0.12	3.1	34	0.98	28

## AIR PERFORMANCE



**D**

# 8025D-YH2

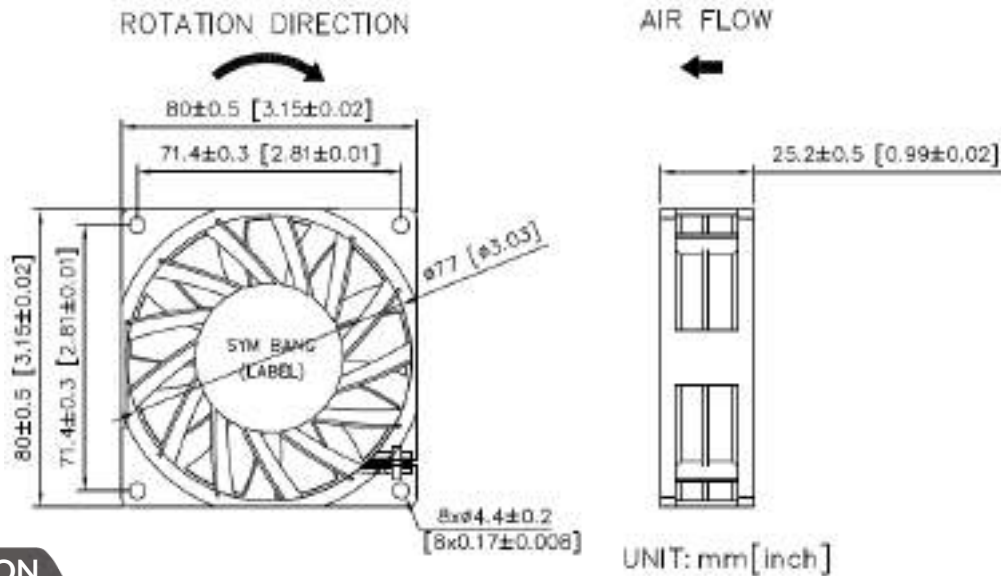
80X80X25mm(3.15"x3.15"x1")



HOUSING	Thermoplastic PBT, UL94V-0
IMPELLER	Thermoplastic PBT, UL94V-0
BEARING	Ball
OPERATING TEMPERATURE	-10°C to + 70°C
DIELECTRIC STRENGTH	5mA Max. at 500 VAC for 1 minute
INSULATION RESISTANCE	10M $\Omega$ min. @500 VDC
WEIGHT	78 g
ROHS COMPLIANCE	Yes
IP LEVEL	IP21 (Special IP Rating On Request)

# 80 mm

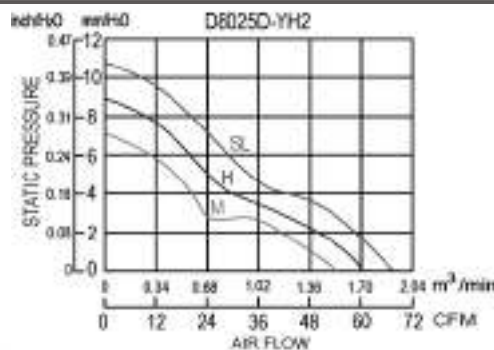
## DIMENSION



## SPECIFICATION

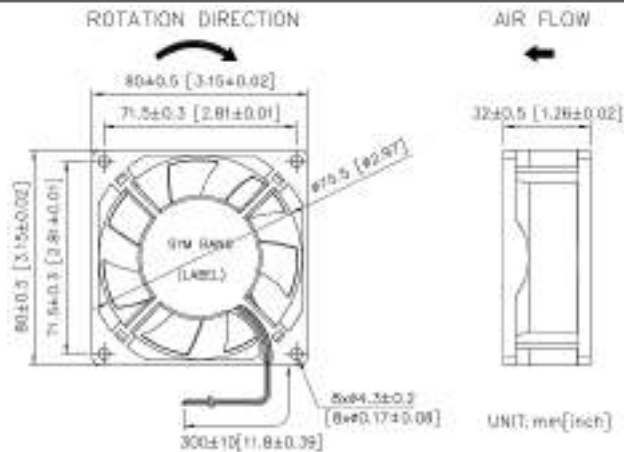
MODEL NO.	RATED VOLTAGE (V)	RATED CURRENT (A)	INPUT POWER (W)	SPEED (RPM)	MAX. AIR PRESSURE		MAX. AIR FLOW		NOISE dB(A) @1M
					inch/H <sub>2</sub> O	mm/H <sub>2</sub> O	CFM	m <sup>3</sup> /min	
D8025V12SLBD-YH2	12	0.72	8.64	5000	0.43	10.90	67.27	1.90	52.1
D8025V12HBD-YH2	12	0.50	6.00	4500	0.35	8.95	60.20	1.70	48.3
D8025V12MBD-YH2	12	0.34	4.08	4000	0.28	7.14	53.98	1.53	45.0
D8025V24SLBD-YH2	24	0.36	8.64	5000	0.43	10.90	67.27	1.90	52.1
D8025V24HBD-YH2	24	0.25	6.00	4500	0.35	8.95	60.20	1.70	48.3
D8025V24MBD-YH2	24	0.17	4.08	4000	0.28	7.14	53.98	1.53	45.0
D8025V48SLBD-YH2	48	0.20	9.60	5000	0.43	10.90	67.27	1.90	52.1
D8025V48HBD-YH2	48	0.13	6.24	4500	0.35	8.95	60.20	1.70	48.3
D8025V48MBD-YH2	48	0.10	4.80	4000	0.28	7.14	53.98	1.53	45.0

## AIR PERFORMANCE

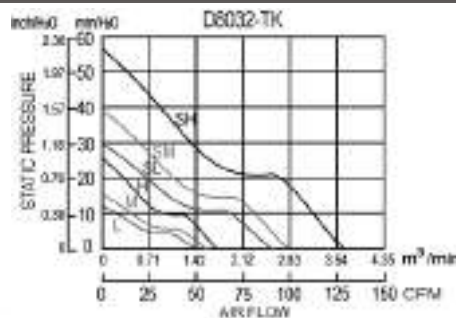


**D****8032-TK****80X80X32mm(3.15"x3.15"x1.26")**

HOUSING Thermoplastic PBT, UL94V-0  
 IMPELLER Thermoplastic PBT, UL94V-0  
 BEARING Ball or Sleeve  
 OPERATING TEMPERATURE -10°C to + 70°C  
 DIELECTRIC STRENGTH 5mA Max. at 500 VAC for 1 minute  
 INSULATION RESISTANCE 10M  $\Omega$  min. @500 VDC  
 WEIGHT 180 g  
 ROHS COMPLIANCE YES  
 IP LEVEL IP21 (Special IP Rating On Request)

**80** mm**DIMENSION****SPECIFICATION**

MODEL NO.	RATED VOLTAGE (V)	RATED CURRENT (A)	INPUT POWER (W)	SPEED (RPM)	MAX. AIR PRESSURE		MAX. AIR FLOW		NOISE dB(A) @1M
					inch/H <sub>2</sub> O	mm/H <sub>2</sub> O	CFM	m <sup>3</sup> /min	
D8032V12SH-TK	12	1.84	22.1	8500	1.30	32.90	107.1	3.03	63.5
D8032V12SM-TK	12	1.51	18.1	8000	1.16	29.53	100.8	2.85	61.2
D8032V12SL-TK	12	1.24	14.9	7000	0.88	22.39	88.9	2.52	54.2
D8032V12H-TK	12	0.96	11.5	6000	0.66	16.78	75.5	2.14	52.0
D8032V12M-TK	12	0.68	8.2	5000	0.46	11.63	61.3	1.74	50.3
D8032V12L-TK	12	0.40	4.8	4000	0.34	8.51	49.9	1.41	46.8
D8032V24SH-TK	24	0.92	22.1	8500	1.30	32.90	107.1	3.03	63.5
D8032V24SM-TK	24	0.76	18.2	8000	1.16	29.53	100.8	2.85	61.2
D8032V24SL-TK	24	0.62	14.9	7000	0.88	22.39	88.9	2.52	54.2
D8032V24H-TK	24	0.48	11.5	6000	0.66	16.78	75.5	2.14	52.0
D8032V24M-TK	24	0.34	8.2	5000	0.46	11.63	61.3	1.74	50.3
D8032V24L-TK	24	0.20	4.8	4000	0.34	8.51	49.9	1.41	46.8
D8032V48SH-TK	48	0.46	22.1	8500	1.30	32.90	107.1	3.03	63.5
D8032V48SM-TK	48	0.38	18.2	8000	1.16	29.53	100.8	2.85	61.2
D8032V48SL-TK	48	0.31	14.9	7000	0.88	22.39	88.9	2.52	54.2
D8032V48H-TK	48	0.24	11.5	6000	0.66	16.78	75.5	2.14	52.0
D8032V48M-TK	48	0.17	8.2	5000	0.46	11.63	61.3	1.74	50.3
D8032V48L-TK	48	0.10	4.8	4000	0.34	8.51	49.9	1.41	46.8

**AIR PERFORMANCE**

**D**

# 8038D-YH1

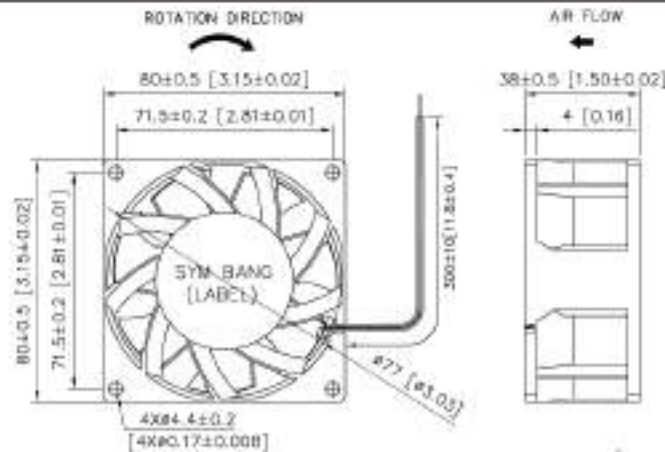
80X80X38mm(3.14"x3.14"x1.49")



HOUSING	Thermoplastic PBT, UL94V-0
IMPELLER	Thermoplastic PBT, UL94V-0
BEARING	Ball
OPERATING TEMPERATURE	-10°C to + 70°C
DIELECTRIC STRENGTH	5mA Max. at 500 VAC for 1 minute
INSULATION RESISTANCE	10M $\Omega$ min. @500 VDC
WEIGHT	177.6 g
ROHS COMPLIANCE	Yes
IP LEVEL	IP21 (Special IP Rating On Request)

# 80 mm

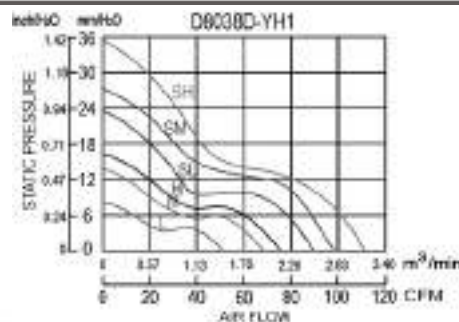
## DIMENSION



## SPECIFICATION

MODEL NO.	RATED VOLTAGE (V)	RATED CURRENT (A)	INPUT POWER (W)	SPEED (RPM)	MAX. AIR PRESSURE		MAX. AIR FLOW		NOISE dB(A) @1M
					inch/H <sub>2</sub> O	mm/H <sub>2</sub> O	CFM	m <sup>3</sup> /min	
D8038V12SHD-YH1	12	2.40	28.8	8500	1.40	35.67	111.87	3.17	66.6
D8038V12SMD-YH1	12	1.62	19.44	7500	1.09	27.59	97.41	2.76	63.5
D8038V12SLD-YH1	12	1.32	15.84	7000	0.94	23.76	89.97	2.55	61.0
D8038V12HD-YH1	12	0.92	11.04	6000	0.65	16.53	75.01	2.12	56.2
D8038V12MD-YH1	12	0.79	9.48	5500	0.55	13.91	68.55	1.94	54.2
D8038V12LD-YH1	12	0.40	4.80	4000	0.32	8.10	50.03	1.42	45.6
D8038V24SHD-YH1	24	0.90	21.6	8500	1.40	35.67	111.87	3.17	66.6
D8038V24SMD-YH1	24	0.80	19.20	7500	1.09	27.59	97.41	2.76	63.5
D8038V24SLD-YH1	24	0.68	16.32	7000	0.94	23.76	89.97	2.55	61.0
D8038V24HD-YH1	24	0.42	10.08	6000	0.65	16.53	75.01	2.12	56.2
D8038V24MD-YH1	24	0.34	8.16	5500	0.55	13.91	68.55	1.94	54.2
D8038V24LD-YH1	24	0.20	4.80	4000	0.32	8.10	50.03	1.42	45.6
D8038V48SHD-YH1	48	0.46	22.08	8500	1.40	35.67	111.87	3.17	66.6
D8038V48SMD-YH1	48	0.45	21.6	7500	1.09	27.59	97.41	2.76	63.5
D8038V48SLD-YH1	48	0.35	16.8	7000	0.94	23.76	89.97	2.55	61.0
D8038V48HD-YH1	48	0.20	9.60	6000	0.65	16.53	75.01	2.12	56.2
D8038V48MD-YH1	48	0.16	7.68	5500	0.55	13.91	68.55	1.94	54.2
D8038V48LD-YH1	48	0.10	4.80	4000	0.32	8.10	50.03	1.42	45.6

## AIR PERFORMANCE



# D

# 9225

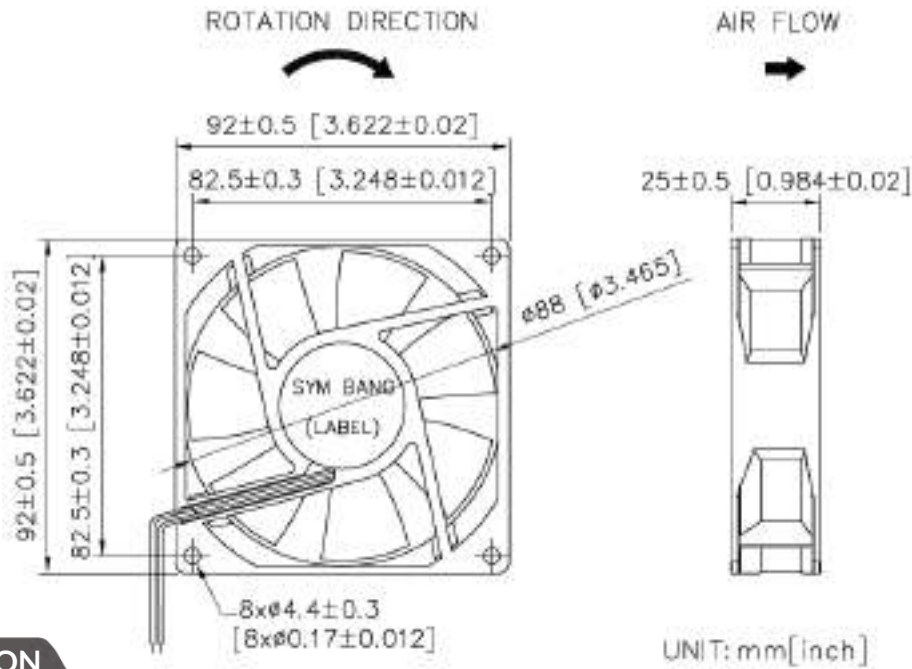
92X92X25mm(3.62"x3.62"x0.98")



HOUSING Thermoplastic PBT, UL94V-0  
 IMPELLER Thermoplastic PBT, UL94V-0  
 BEARING Ball or Sleeve  
 OPERATING TEMPERATURE -10°C to + 70°C  
 DIELECTRIC STRENGTH 5mA Max. at 500 VAC for 1 minute  
 INSULATION RESISTANCE 10M  $\Omega$  min. @500 VDC  
 WEIGHT 120 g  
 ROHS COMPLIANCE Yes  
 IP LEVEL IP21 (Special IP Rating On Request)

# 92 mm

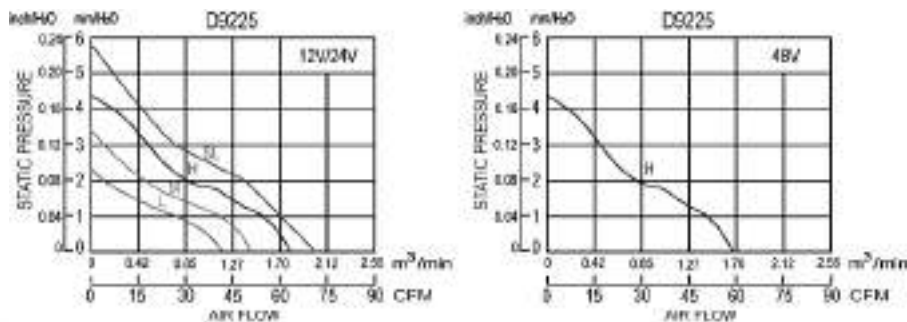
## DIMENSION



## SPECIFICATION

MODEL NO.	RATED VOLTAGE (V)	RATED CURRENT (A)	INPUT POWER (W)	SPEED (RPM)	MAX. AIR PRESSURE		MAX. AIR FLOW		NOISE dB(A) @1M
					inch/H <sub>2</sub> O	mm/H <sub>2</sub> O	CFM	m <sup>3</sup> /min	
D9225V12SL	12	0.42	5.04	3500	0.23	5.88	66.19	1.87	41
D9225V12H	12	0.32	3.84	3000	0.17	4.3	63.5	1.8	40
D9225V12M	12	0.20	2.4	2500	0.14	3.5	50.5	1.43	34
D9225V12L	12	0.16	1.92	2000	0.09	2.3	41.5	1.17	26
D9225V24M	24	0.14	3.36	2500	0.14	3.5	50.5	1.43	34
D9225V48H	48	0.15	5.76	3000	0.17	4.3	58.7	1.66	40

## AIR PERFORMANCE



# D9225-K

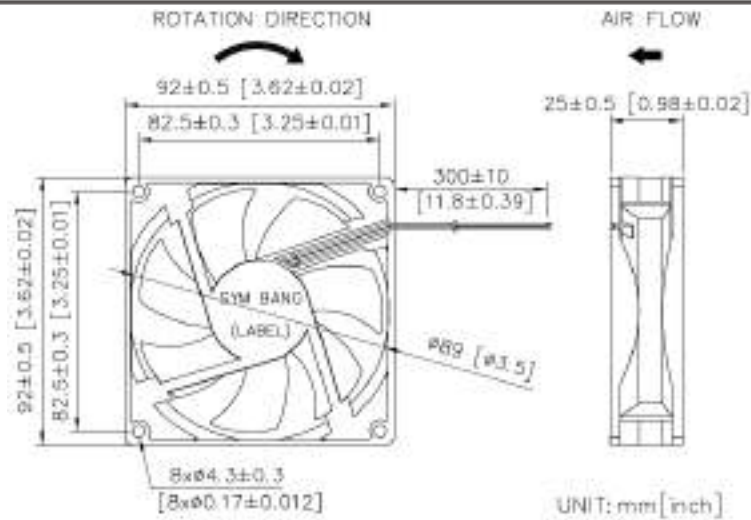
92X92X25mm(3.62"x3.62"x0.98")



HOUSING	Thermoplastic PBT, UL94V-0
IMPELLER	Thermoplastic PBT, UL94V-0
BEARING	Ball or Sleeve
OPERATING TEMPERATURE	-10°C to + 70°C
DIELECTRIC STRENGTH	5mA Max. at 500 VAC for 1 minute
INSULATION RESISTANCE	10M $\Omega$ min. @500 VDC
WEIGHT	80 g
ROHS COMPLIANCE	Yes
IP LEVEL	IP21 (Special IP Rating On Request)

# 92 mm

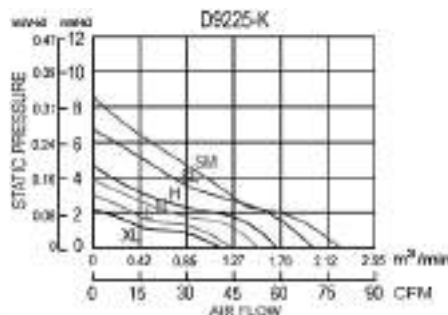
## DIMENSION



## SPECIFICATION

MODEL NO.	RATED VOLTAGE (V)	RATED CURRENT (A)	INPUT POWER (W)	SPEED (RPM)	MAX. AIR PRESSURE		MAX. AIR FLOW		NOISE dB(A) @1M
					inch/H <sub>2</sub> O	mm/H <sub>2</sub> O	CFM	m <sup>3</sup> /min	
D9225V12SM-K	12	0.38	4.56	4000	0.35	8.76	77.1	2.18	48
D9225V12SL-K	12	0.35	4.2	3800	0.26	6.6	69.2	1.96	45
D9225V12H-K	12	0.2	2.4	3200	0.18	4.7	58.3	1.65	38
D9225V12M-K	12	0.14	1.68	2850	0.16	3.9	52.1	1.48	34
D9225V12L-K	12	0.11	1.32	2450	0.11	2.9	44.8	1.27	30
D9225V12XL-K	12	0.09	1.08	2100	0.09	2.2	39.2	1.11	25
D9225V24SL-K	24	0.2	4.8	3800	0.26	6.6	69.2	1.96	45
D9225V24H-K	24	0.15	3.6	3200	0.18	4.7	58.3	1.65	38
D9225V24M-K	24	0.13	3.12	2850	0.16	3.9	52.1	1.48	34
D9225V24L-K	24	0.08	2.64	2450	0.11	2.9	44.8	1.27	30
D9225V24XL-K	24	0.06	1.44	2100	0.09	2.2	39.2	1.11	25
D9225V48H-K	48	0.12	5.76	3200	0.18	4.7	58.3	1.65	38
D9225V48M-K	48	0.08	3.84	2850	0.16	3.9	52.1	1.48	34
D9225V48L-K	48	0.06	2.88	2450	0.11	2.9	44.8	1.27	30
D9225V48XL-K	48	0.05	2.4	2100	0.09	2.2	39.2	1.11	25

## AIR PERFORMANCE



# D

# 9225D-YH2

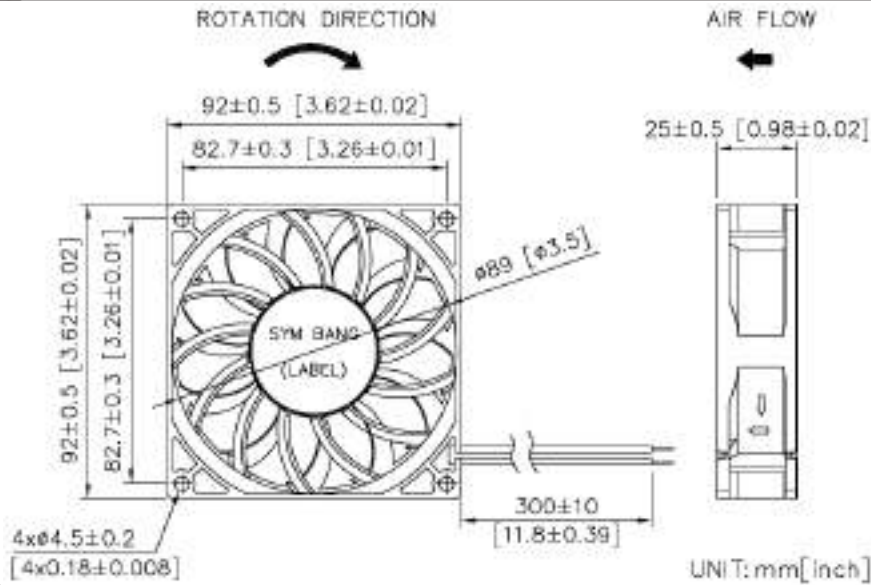
92X92X25mm(3.62"x3.62"x0.98") **CE**



HOUSING Thermoplastic PBT, UL94V-0  
 IMPELLER Thermoplastic PBT, UL94V-0  
 BEARING Ball or Sleeve  
 OPERATING TEMPERATURE -10°C to + 70°C  
 DIELECTRIC STRENGTH 5mA Max. at 500 VAC for 1 minute  
 INSULATION RESISTANCE 10M  $\Omega$  min. @500 VDC  
 WEIGHT 120 g  
 ROHS COMPLIANCE Yes  
 IP LEVEL IP21 (Special IP Rating On Request)

# 92 mm

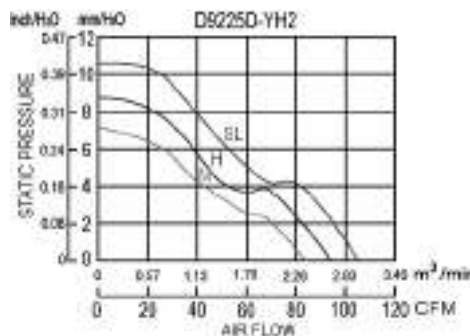
## DIMENSION



## SPECIFICATION

MODEL NO.	RATED VOLTAGE (V)	RATED CURRENT (A)	INPUT POWER (W)	SPEED (RPM)	MAX. AIR PRESSURE		MAX. AIR FLOW		NOISE dB(A) @1M
					inch/H <sub>2</sub> O	mm/H <sub>2</sub> O	CFM	m <sup>3</sup> /min	
D9225V12SLBD-YH2	12	0.75	9.00	5000	0.42	10.66	103.80	2.94	56.3
D9225V12HBD-YH2	12	0.55	6.60	4500	0.35	8.79	92.99	2.63	53.0
D9225V12MBD-YH2	12	0.40	4.80	4000	0.28	7.16	83.41	2.36	49.0
D9225V24SLBD-YH2	24	0.40	9.60	5000	0.42	10.66	103.80	2.94	56.3
D9225V24HBD-YH2	24	0.32	7.68	4500	0.35	8.79	92.99	2.63	53.0
D9225V24MBD-YH2	24	0.25	6.00	4000	0.28	7.16	83.41	2.36	49.0
D9225V48SLBD-YH2	48	0.20	9.60	5000	0.42	10.66	103.80	2.94	56.3
D9225V48HBD-YH2	48	0.17	8.16	4500	0.35	8.79	92.99	2.63	53.0
D9225V48MBD-YH2	48	0.13	6.24	4000	0.28	7.16	83.41	2.36	49.0

## AIR PERFORMANCE



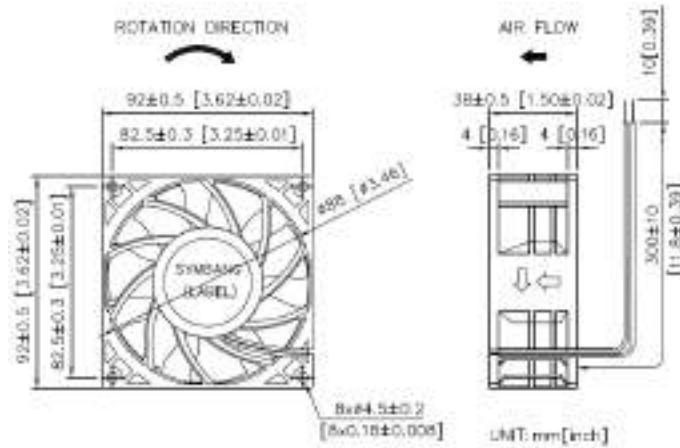
# D9238D-K 92X92X38mm(3.62"x3.62"x1.50")



HOUSING Thermoplastic PBT, UL94V-0  
 IMPELLER Thermoplastic PBT, UL94V-0  
 BEARING Ball  
 OPERATING TEMPERATURE -10°C to + 70°C  
 DIELECTRIC STRENGTH 5mA Max. at 500 VAC for 1 second  
 INSULATION RESISTANCE 10M  $\Omega$  min. @500 VDC  
 WEIGHT 200 g  
 ROHS COMPLIANCE Yes  
 IP LEVEL IP21 (Special IP Rating On Request)

# 92 mm

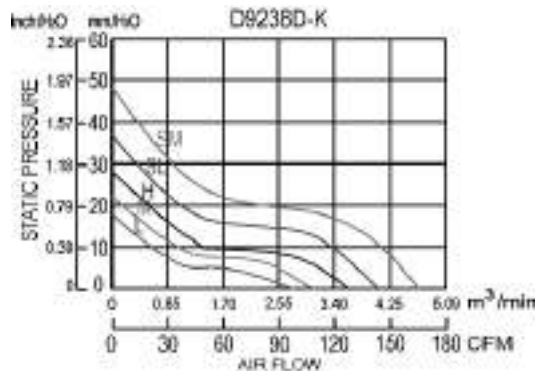
## DIMENSION



## SPECIFICATION

MODEL NO.	RATED VOLTAGE (V)	RATED CURRENT (A)	INPUT POWER (W)	SPEED (RPM)	MAX. AIR PRESSURE		MAX. AIR FLOW		NOISE dB(A) @1M
					inch/H <sub>2</sub> O	mm/H <sub>2</sub> O	CFM	m <sup>3</sup> /min	
D9238V12SMBD-K	12	2.95	35.4	8000	1.91	48.51	166.4	4.71	72
D9238V12SLBD-K	12	2.50	30.0	7000	1.46	37.08	145.6	4.12	67
D9238V12HBD-K	12	1.20	14.4	6000	1.12	28.45	123.4	3.50	64
D9238V12MBD-K	12	0.90	10.8	5000	0.86	21.84	109.2	3.09	58
D9238V12LBD-K	12	0.50	6.0	4300	0.70	17.78	97.1	2.75	52
D9238V24SMBD-K	24	1.70	40.8	8000	1.91	48.51	166.4	4.71	72
D9238V24SLBD-K	24	1.10	26.4	7000	1.46	37.08	145.6	4.12	67
D9238V24HBD-K	24	0.76	18.24	6000	1.12	28.45	123.4	3.50	64
D9238V24MBD-K	24	0.45	10.8	5000	0.86	21.84	109.2	3.09	58
D9238V24LBD-K	24	0.35	8.40	4300	0.70	17.78	97.1	2.75	52
D9238V48SMBD-K	48	0.94	45.12	8000	1.91	48.51	166.4	4.71	72
D9238V48SLBD-K	48	0.72	34.56	7000	1.46	37.08	145.6	4.12	67
D9238V48HBD-K	48	0.41	19.68	6000	1.12	28.45	123.4	3.50	64
D9238V48MBD-K	48	0.28	13.44	5000	0.86	21.84	109.2	3.09	58
D9238V48LBD-K	48	0.24	11.52	4300	0.70	17.78	97.1	2.75	52

## AIR PERFORMANCE





# D12025

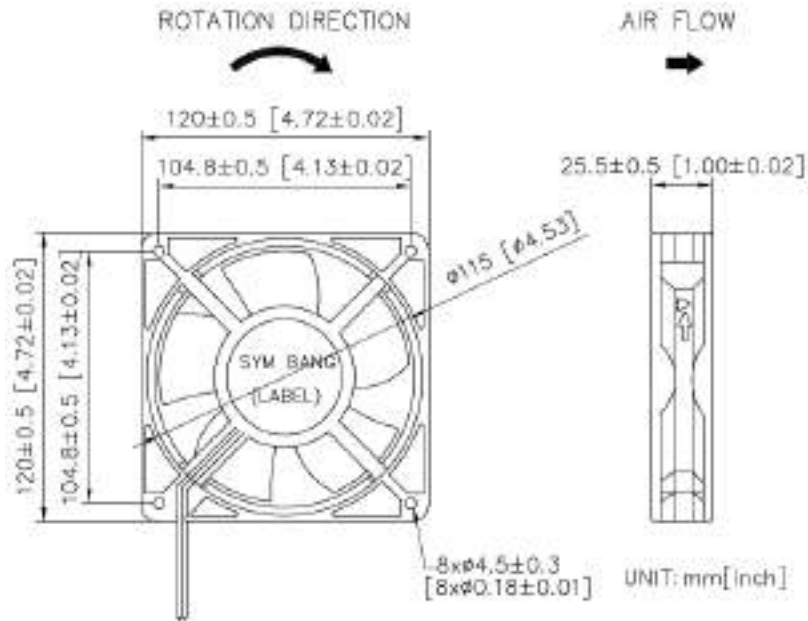
120X120X25mm(4.72"x4.72"x0.98")



HOUSING Thermoplastic PBT, UL94V-0  
 IMPELLER Thermoplastic PBT, UL94V-0  
 BEARING Ball or Sleeve  
 OPERATING TEMPERATURE -10°C to + 60°C  
 DIELECTRIC STRENGTH 5mA Max. at 500 VAC for 1 minute  
 INSULATION RESISTANCE 10M  $\Omega$  min. @500 VDC  
 WEIGHT 150 g  
 ROHS COMPLIANCE Yes  
 IP LEVEL IP21 (Special IP Rating On Request)

# 120mm

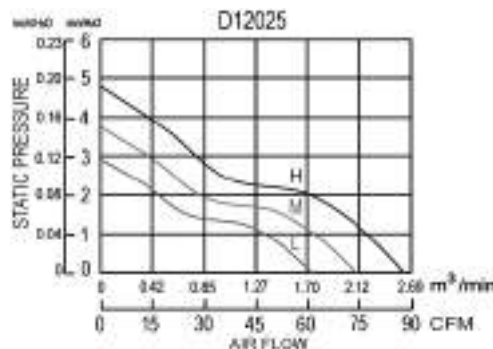
## DIMENSION



## SPECIFICATION

MODEL NO.	RATED VOLTAGE (V)	RATED CURRENT (A)	INPUT POWER (W)	SPEED (RPM)	MAX. AIR PRESSURE		MAX. AIR FLOW		NOISE dB(A) @1M
					inch/H2O	mm/H2O	CFM	m3/min	
D12025V12H	12	0.38	4.56	3000	0.19	4.8	88.3	2.5	48
D12025V12M	12	0.25	3	2500	0.15	3.8	74.5	2.11	44
D12025V12L	12	0.14	1.68	2000	0.11	2.9	61.4	1.74	38
D12025V24H	24	0.24	5.76	3000	0.19	4.8	88.3	2.5	48
D12025V24M	24	0.18	4.32	2500	0.15	3.8	74.5	2.11	44
D12025V24L	24	0.1	2.4	2000	0.11	2.9	61.4	1.74	38

## AIR PERFORMANCE



# D12025-K

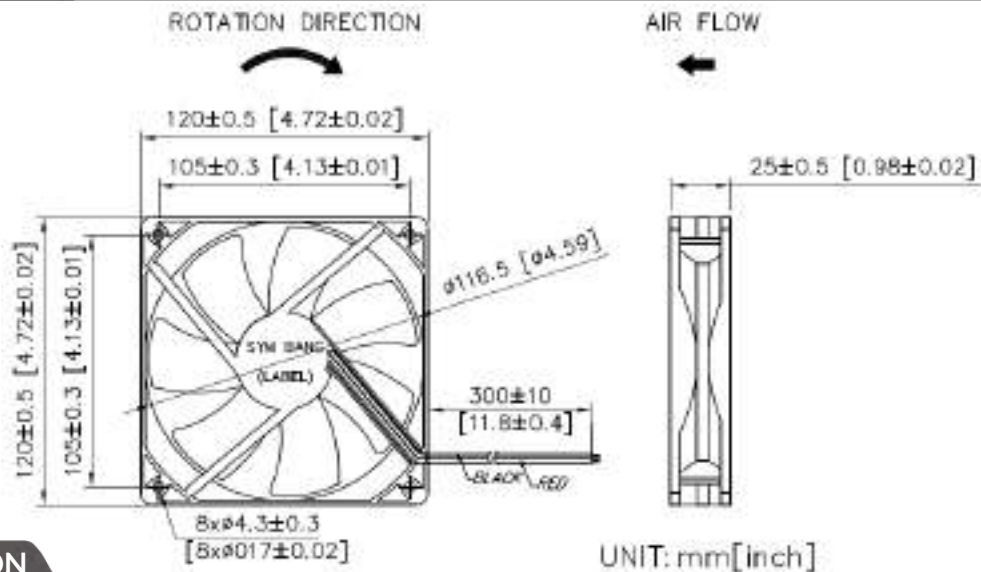
120X120X25mm(4.72"x4.72"x0.98")



HOUSING Thermoplastic PBT, UL94V-0  
 IMPELLER Thermoplastic PBT, UL94V-0  
 BEARING Ball or Sleeve  
 OPERATING TEMPERATURE -10°C to + 70°C  
 DIELECTRIC STRENGTH 5mA Max. at 500 VAC for 1 minute  
 INSULATION RESISTANCE 10M  $\Omega$  min. @500 VDC  
 WEIGHT 165 g  
 ROHS COMPLIANCE Yes  
 IP LEVEL IP21 (Special IP Rating On Request)

# 120mm

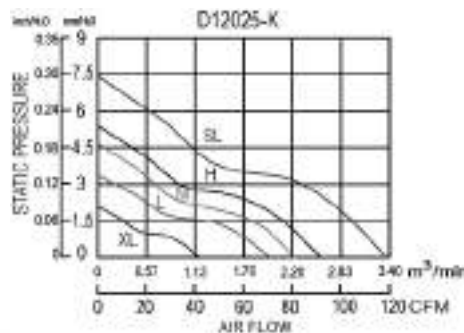
## DIMENSION



## SPECIFICATION

MODEL NO.	RATED VOLTAGE (V)	RATED CURRENT (A)	INPUT POWER (W)	SPEED (RPM)	MAX. AIR PRESSURE		MAX. AIR FLOW		NOISE dB(A) @1M
					inch/H2O	mm/H2O	CFM	m3/min	
D12025V12SL-K	12	0.6	7.2	3100	0.29	7.4	119.4	3.88	40
D12025V12H-K	12	0.25	3	2500	0.22	5.3	90	2.6	36
D12025V12M-K	12	0.21	2.52	2200	0.18	4.6	80.6	2.28	31
D12025V12L-K	12	0.19	2.28	1900	0.14	3.4	69.6	1.97	29
D12025V12XL-K	12	0.08	0.96	1200	0.08	2.1	40.6	1.15	19
D12025V24SL-K	24	0.31	7.44	3100	0.29	7.4	46	1.31	40
D12025V24H-K	24	0.13	3.12	2500	0.22	5.3	90	2.6	36
D12025V24M-K	24	0.12	2.88	2200	0.18	4.6	80.6	2.28	31
D12025V24L-K	24	0.15	3.6	1900	0.14	3.4	69.6	1.97	29
D12025V24XL-K	24	0.05	1.2	1200	0.08	2.1	40.6	1.15	19

## AIR PERFORMANCE



# D 12038-03

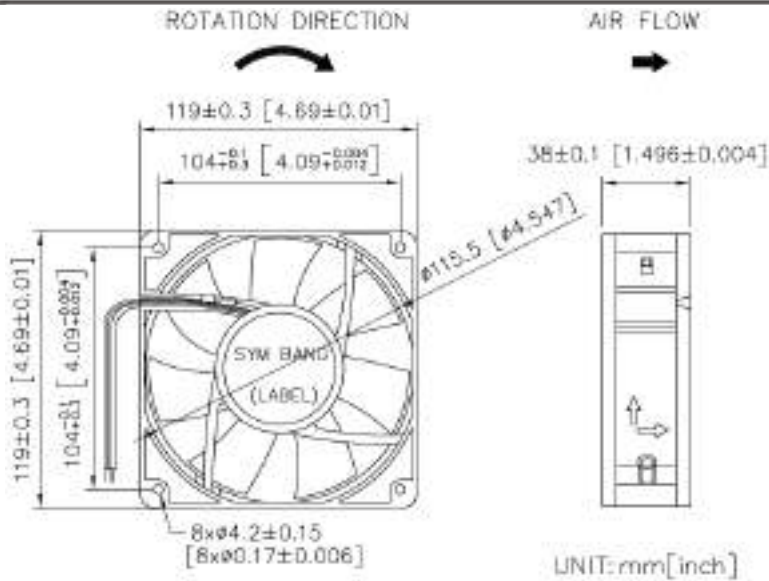
120X120X38mm(4.72"x4.72"x1.50")



HOUSING Aluminum Die Casting, Painted Black  
 IMPELLER Thermoplastic PBT, UL94V-0  
 BEARING Ball or Sleeve  
 OPERATING TEMPERATURE -10°C to + 60°C  
 DIELECTRIC STRENGTH 5mA Max. at 500 VAC for 1 mintue  
 INSULATION RESISTANCE 10M  $\Omega$  min. @500 VDC  
 WEIGHT 420 g  
 ROHS COMPLIANCE Yes  
 IP LEVEL IP21 (Special IP Rating On Request)

# 120mm

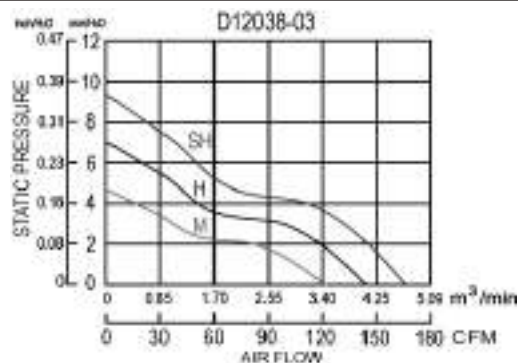
## DIMENSION



## SPECIFICATION

MODEL NO.	RATED VOLTAGE (V)	RATED CURRENT (A)	INPUT POWER (W)	SPEED (RPM)	MAX. AIR PRESSURE		MAX. AIR FLOW		NOISE dB(A) @1M
					inch/H <sub>2</sub> O	mm/H <sub>2</sub> O	CFM	m <sup>3</sup> /min	
D12038V12SH-03	12	1.8	21.6	3400	0.36	9.35	168	4.76	50
D12038V12H-03	12	1.1	13.2	2900	0.28	7.1	145	4.11	48
D12038V12M-03	12	1	12	2400	0.18	4.62	121	3.43	46
D12038V24SH-03	24	1.1	26.4	3400	0.36	9.35	168	4.76	50
D12038V24H-03	24	0.8	19.2	2900	0.28	7.1	145	4.11	48
D12038V24M-03	24	0.6	14.4	2400	0.18	4.62	121	3.43	46
D12038V48SH-03	48	0.5	24	3400	0.36	9.35	168	4.76	50
D12038V48H-03	48	0.4	19.2	2900	0.28	7.1	145	4.11	48
D12038V48M-03	48	0.18	8.64	2400	0.18	4.62	121	3.43	46

## AIR PERFORMANCE



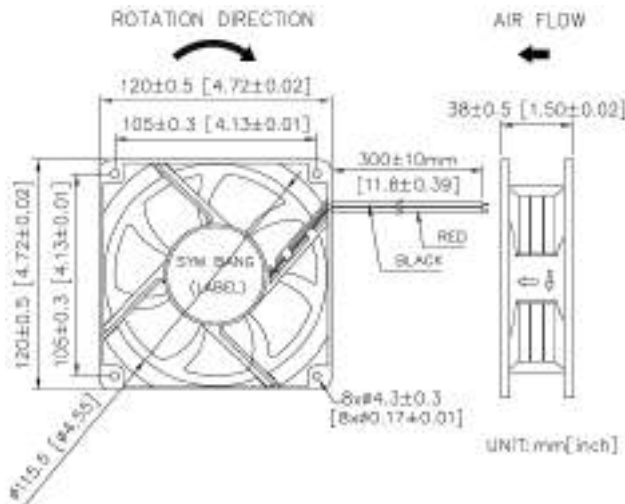
# D12038-K 120X120X38mm(4.72"x4.72"x1.50")



HOUSING Thermoplastic PBT, UL94V-0  
 IMPELLER Thermoplastic PBT, UL94V-0  
 BEARING Ball or Sleeve  
 OPERATING TEMPERATURE -10°C to + 70°C  
 DIELECTRIC STRENGTH 5mA Max. at 500 VAC for 1 minute  
 INSULATION RESISTANCE 10M  $\Omega$  min. @500 VDC  
 WEIGHT 260 g  
 ROHS COMPLIANCE Yes  
 IP LEVEL IP21 (Special IP Rating On Request)

# 120mm

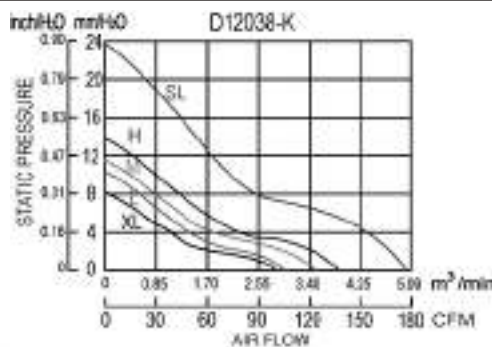
## DIMENSION



## SPECIFICATION

MODEL NO.	RATED VOLTAGE (V)	RATED CURRENT (A)	INPUT POWER (W)	SPEED (RPM)	MAX. AIR PRESSURE		MAX. AIR FLOW		NOISE dB(A) @1M
					inch/H2O	mm/H2O	CFM	m3/min	
D12038V12SLB-K	12	1.41	16.92	4200	0.94	23.8	178.4	5.05	54
D12038V12HB-K	12	0.8	9.6	3200	0.54	13.8	135.9	3.85	48
D12038V12MB-K	12	0.5	6	2900	0.45	11.3	123.2	3.49	44
D12038V12LB-K	12	0.4	4.8	2600	0.41	10.4	114.7	3.25	41
D12038V24SLB-K	24	0.8	19.2	4200	0.94	23.8	178.4	5.05	54
D12038V24HB-K	24	0.46	11.04	3200	0.54	13.8	135.9	3.85	48
D12038V24MB-K	24	0.4	9.6	2900	0.45	11.3	123.2	3.49	44
D12038V24LB-K	24	0.32	7.68	2600	0.41	10.4	114.7	3.25	41
D12038V24XLB-K	24	0.18	4.32	2300	0.18	4.62	121	3.43	38
D12038V48HB-K	48	0.3	14.4	3200	0.54	13.8	135.9	3.85	48
D12038V48MB-K	48	0.28	13.44	2900	0.45	11.3	123.2	3.49	44
D12038V48LB-K	48	0.14	6.72	2600	0.41	10.4	114.7	3.25	41
D12038V48XLB-K	48	0.09	4.32	2300	0.32	8.1	101.4	2.87	38

## AIR PERFORMANCE



# D

# 12738-C

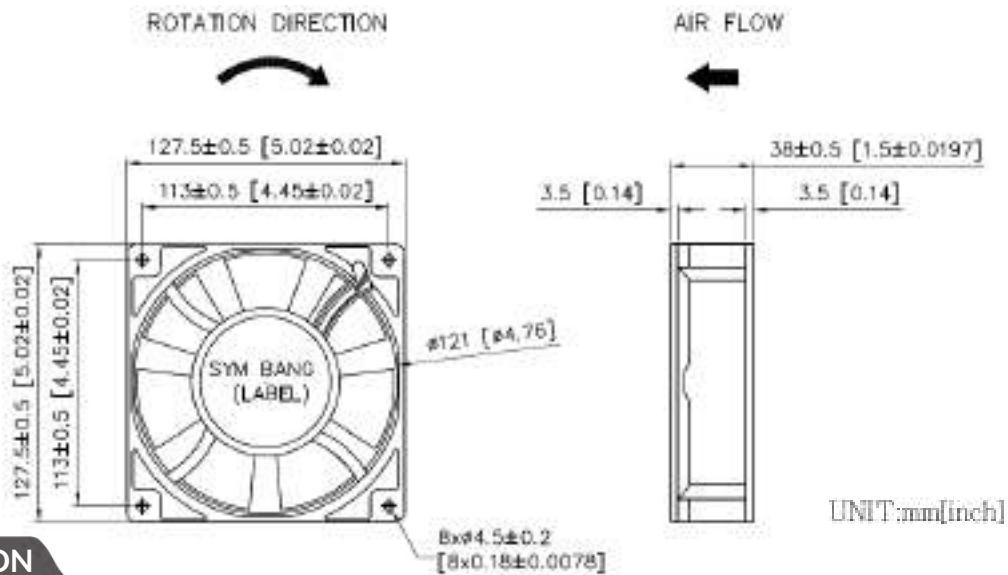
127X127X38mm(5"x5"x1.50")



HOUSING	Aluminum Die Casting, Painted Black
IMPELLER	Thermoplastic PBT, UL94V-0
BEARING	Ball or Sleeve
OPERATING TEMPERATURE	-10°C to + 60°C
DIELECTRIC STRENGTH	5mA Max. at 500 VAC for 1 minute
INSULATION RESISTANCE	10M $\Omega$ min. @500 VDC
WEIGHT	400 g
ROHS COMPLIANCE	Yes
IP LEVEL	IP21 (Special IP Rating On Request)

# 127 mm

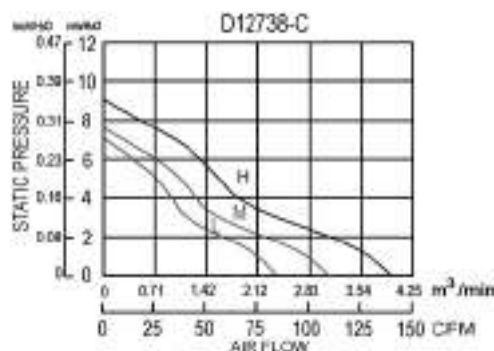
## DIMENSION



## SPECIFICATION

MODEL NO.	RATED VOLTAGE (V)	RATED CURRENT (A)	INPUT POWER (W)	SPEED (RPM)	MAX. AIR PRESSURE		MAX. AIR FLOW		NOISE dB(A) @1M
					inch/H <sub>2</sub> O	mm/H <sub>2</sub> O	CFM	m <sup>3</sup> /min	
D12738V12H-C	12	0.48	5.76	3000	0.35	8.89	140	4	45
D12738V12M-C	12	0.35	4.2	2500	0.3	7.62	110	3.1	38
D12738V12L-C	12	0.25	3	2000	0.28	7.11	85	2.4	32
D12738V24H-C	24	0.33	7.92	3000	0.35	8.89	140	4	45
D12738V24M-C	24	0.25	6	2500	0.3	7.62	110	3.1	38
D12738V24L-C	24	0.2	4.8	2000	0.28	7.11	85	2.4	32
D12738V48H-C	48	0.25	12	3000	0.35	8.89	140	4	45
D12738V48M-C	48	0.18	10.56	2500	0.3	7.62	110	3.1	38
D12738V48L-C	48	0.18	8.64	2000	0.28	7.11	85	2.4	32

## AIR PERFORMANCE



# D14025-EC

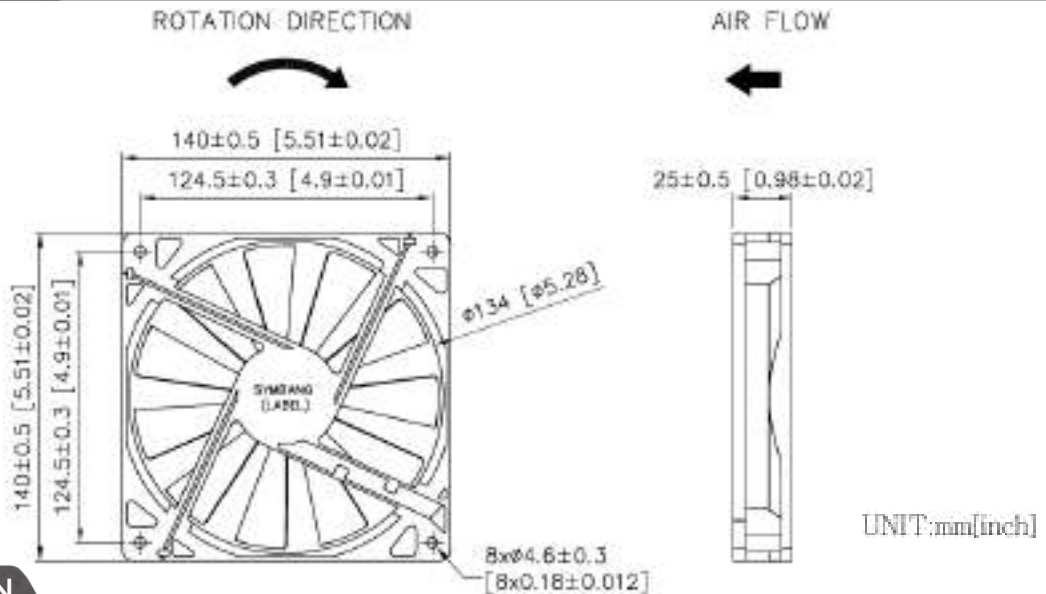
140X140X25mm(5.51"x5.51"x0.98")



HOUSING Thermoplastic PBT, UL94V-0  
 IMPELLER Thermoplastic PBT, UL94V-0  
 BEARING Ball or Sleeve  
 OPERATING TEMPERATURE -10°C to + 60°C  
 DIELECTRIC STRENGTH 5mA Max. at 500 VAC for 1 minute  
 INSULATION RESISTANCE 10M  $\Omega$  min. @500 VDC  
 WEIGHT 165 g  
 ROHS COMPLIANCE Yes  
 IP LEVEL IP21 (Special IP Rating On Request)

# 140mm

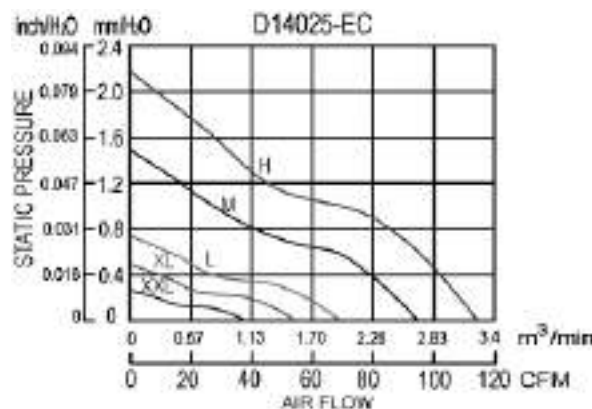
## DIMENSION



## SPECIFICATION

MODEL NO.	RATED VOLTAGE (V)	RATED CURRENT (A)	INPUT POWER (W)	SPEED (RPM)	MAX. AIR PRESSURE		MAX. AIR FLOW		NOISE dB(A) @1M
					inch/H <sub>2</sub> O	mm/H <sub>2</sub> O	CFM	m <sup>3</sup> /min	
D14025V12H-EC	12	0.72	8.64	1800	0.09	2.29	113.87	3.22	30.9
D14025V12M-EC	12	0.45	5.4	1500	0.06	1.52	94.89	2.68	26.9
D14025V12L-EC	12	0.28	3.36	1200	0.03	0.76	68.23	1.931	22.1
D14025V12XL-EC	12	0.18	2.16	900	0.02	0.51	56.74	1.606	15.8
D14025V12XXL-EC	12	0.1	1.2	600	0.01	0.25	38.58	1.092	7

## AIR PERFORMANCE



# D

# 15038-C

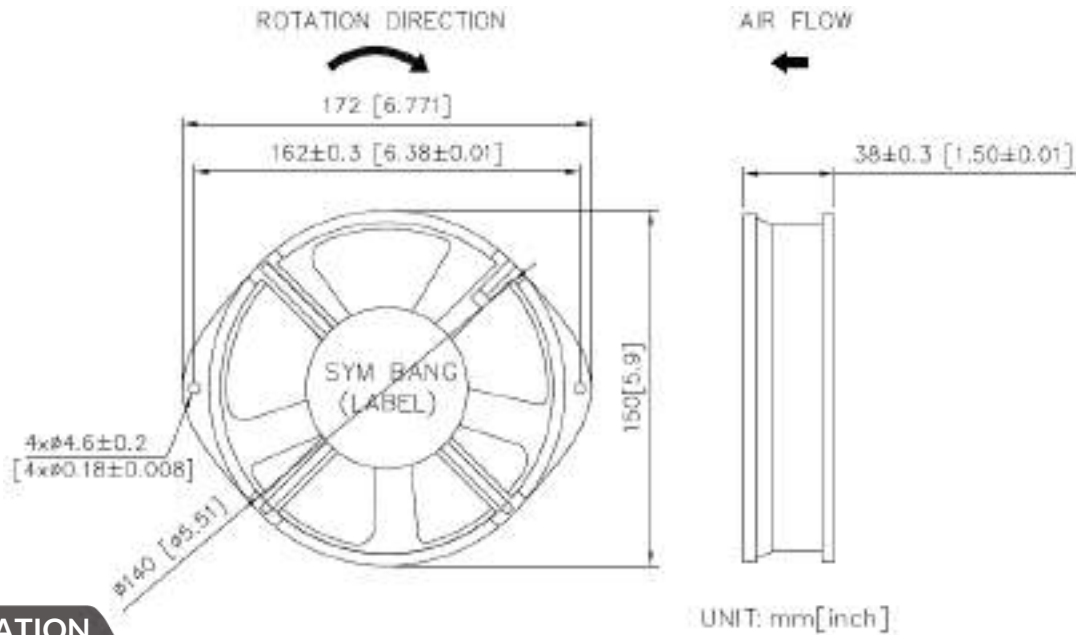
162X150X38mm(6.38"x5.91"x1.50")



HOUSING	Aluminum Die Casting, Painted Black
IMPELLER	Thermoplastic PBT, UL94V-0
BEARING	Ball or Sleeve
OPERATING TEMPERATURE	-10°C to + 60°C
DIELECTRIC STRENGTH	5mA Max. at 500 VAC for 1 minute
INSULATION RESISTANCE	10M $\Omega$ min. @500 VDC
WEIGHT	625 g
ROHS COMPLIANCE	Yes
IP LEVEL	IP21 (Special IP Rating On Request)

# 150mm

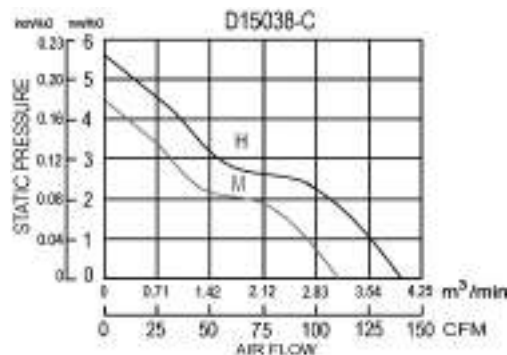
## DIMENSION



## SPECIFICATION

MODEL NO.	RATED VOLTAGE (V)	RATED CURRENT (A)	INPUT POWER (W)	SPEED (RPM)	MAX. AIR PRESSURE		MAX. AIR FLOW		NOISE dB(A) @1M
					inch/H2O	mm/H2O	CFM	m3/min	
D15038V12HB-C	12	0.75	9	2200	0.22	5.61	140	3.97	42
D15038V12MB-C	12	0.55	6.6	1800	0.18	4.48	110	3.12	38
D15038V24HB-C	24	0.4	9.6	2200	0.22	5.61	140	3.97	42
D15038V24MB-C	24	0.35	8.4	1800	0.18	4.48	110	3.12	38
D15038V48HB-C	48	0.23	11	2200	0.22	5.61	140	3.97	42
D15038V48MB-C	48	0.19	9.12	1800	0.18	4.48	110	3.12	38

## AIR PERFORMANCE



# D 15055-DA

150X172X55mm(5.9"x6.77"x2.17") **CE**

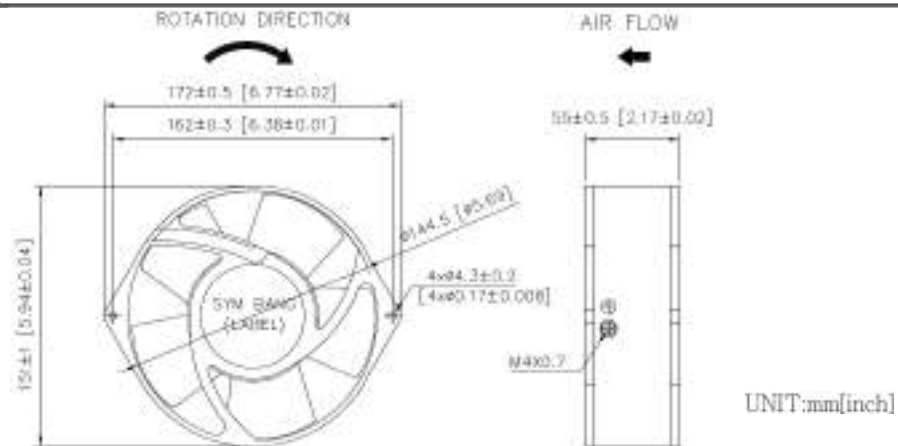


HOUSING  
IMPELLER  
BEARING  
OPERATING TEMPERATURE  
DIELECTRIC STRENGTH  
INSULATION RESISTANCE  
WEIGHT  
ROHS COMPLIANCE  
IP LEVEL

Aluminum Die Casting, Painted Black  
Thermoplastic PBT, UL94V-0  
Ball  
-10°C to + 70°C  
5mA Max. at 500 VAC for 1 minute  
10M  $\Omega$  min. @500 VDC  
1.03 kg  
Yes  
IP54 (Special IP Rating On Request)

# 150 mm

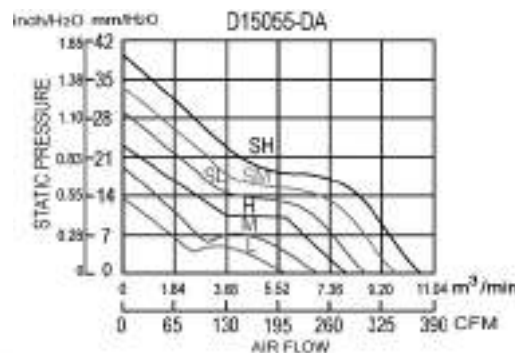
## DIMENSION



## SPECIFICATION

MODEL NO.	RATED VOLTAGE (V)	RATED CURRENT (A)	INPUT POWER (W)	SPEED (RPM)	MAX. AIR PRESSURE		MAX. AIR FLOW		NOISE dB(A) @1M
					inch/H <sub>2</sub> O	mm/H <sub>2</sub> O	CFM	m <sup>3</sup> /min	
D15055V12HB-DA	12	2.75	33.00	3600	0.9	22.9	275	7.78	61
D15055V12SLB-DA	12	3.73	44.76	4000	1.11	28.3	310	8.77	65
D15055V12LB-DA	12	1.31	15.72	2800	0.55	13.9	205	5.8	53
D15055V12MB-DA	12	1.88	22.56	3200	0.72	18.2	240	6.79	57
D15055V24SHB-DA	24	2.94	70.56	4800	1.56	39.7	375	10.61	73
D15055V24SMB-DA	24	2.41	51.36	4400	1.32	33.6	340	9.62	69
D15055V24SLB-DA	24	1.69	40.56	4000	1.11	28.3	310	8.77	65
D15055V24HB-DA	24	1.21	29.04	3600	0.9	22.9	275	7.78	61
D15055V24MB-DA	24	0.89	21.36	3200	0.72	18.2	240	6.79	57
D15055V24LB-DA	24	0.65	15.60	2800	0.55	13.9	205	5.8	53
D15055V48SHB-DA	48	1.48	71.04	4800	1.56	39.7	375	10.61	73
D15055V48SMB-DA	48	1.15	55.20	4400	1.32	33.6	340	9.62	69
D15055V48SLB-DA	48	0.79	37.92	4000	1.11	28.3	310	8.77	65
D15055V48HB-DA	48	0.60	28.80	3600	0.9	22.9	275	7.78	61
D15055V48MB-DA	48	0.45	21.60	3200	0.72	18.2	240	6.79	57
D15055V48LB-DA	48	0.33	15.84	2800	0.55	13.9	205	5.8	53

## AIR PERFORMANCE





**D**

# 15055M-DA

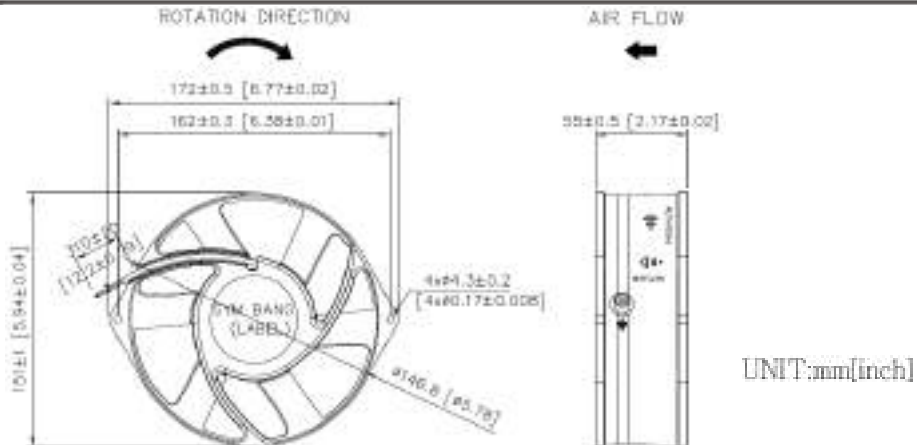
**150X172X55mm  
(5.9"x6.77"x2.17")**

HOUSING	Aluminum Die Casting, Painted Black
IMPELLER	Metal
BEARING	Ball
OPERATING TEMPERATURE	-10°C to + 70°C
DIELECTRIC STRENGTH	5mA Max. at 500 VAC for 1 minute
INSULATION RESISTANCE	10M $\Omega$ min. @500 VDC
WEIGHT	1.04 kg
ROHS COMPLIANCE	Yes
IP LEVEL	IP54 (Special IP Rating On Request)

# 150

 mm

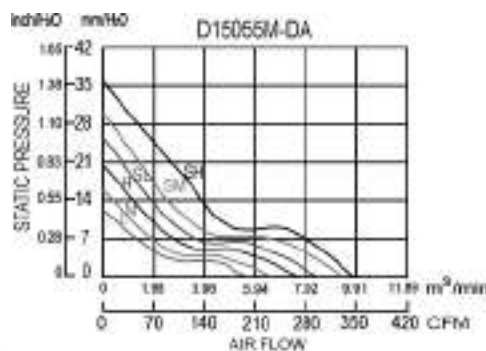
## DIMENSION



## SPECIFICATION

MODEL NO.	RATED VOLTAGE (V)	RATED CURRENT (A)	INPUT POWER (W)	SPEED (RPM)	MAX. AIR PRESSURE		MAX. AIR FLOW		NOISE dB(A) @1M
					inch/H <sub>2</sub> O	mm/H <sub>2</sub> O	CFM	m <sup>3</sup> /min	
D15055V12SLBM-DA	12	2.76	33.12	4000	1.01	25.6	295	8.35	68
D15055V12HBM-DA	12	2.39	28.68	3600	0.81	20.5	260	7.36	65
D15055V12MBM-DA	12	1.60	19.20	3200	0.63	15.9	230	6.51	62
D15055V12LBM-DA	12	1.17	14.04	2800	0.48	12.1	195	5.52	59
D15055V24SHBM-DA	24	2.30	55.20	4800	1.41	35.7	345	9.76	74
D15055V24SMBM-DA	24	1.80	43.20	4400	1.21	30.7	325	9.2	71
D15055V24SLBM-DA	24	1.38	33.12	4000	1.01	25.6	295	8.35	68
D15055V24HBM-DA	24	1.07	25.68	3600	0.81	20.5	260	7.36	65
D15055V24MBM-DA	24	0.77	18.48	3200	0.63	15.9	230	6.51	62
D15055V24LBM-DA	24	0.56	13.44	2800	0.48	12.1	195	5.52	59
D15055V48SHBM-DA	48	1.18	56.64	4800	1.41	35.7	345	9.76	74
D15055V48SMBM-DA	48	0.90	43.20	4400	1.21	30.7	325	9.2	71
D15055V48SLBM-DA	48	0.69	33.12	4000	1.01	25.6	295	8.35	68
D15055V48HBM-DA	48	0.51	24.48	3600	0.81	20.5	260	7.36	65
D15055V48MBM-DA	48	0.39	18.72	3200	0.63	15.9	230	6.51	62
D15055V48LBM-DA	48	0.28	13.44	2800	0.48	12.1	195	5.52	59

## AIR PERFORMANCE



YTK CO.,LTD.

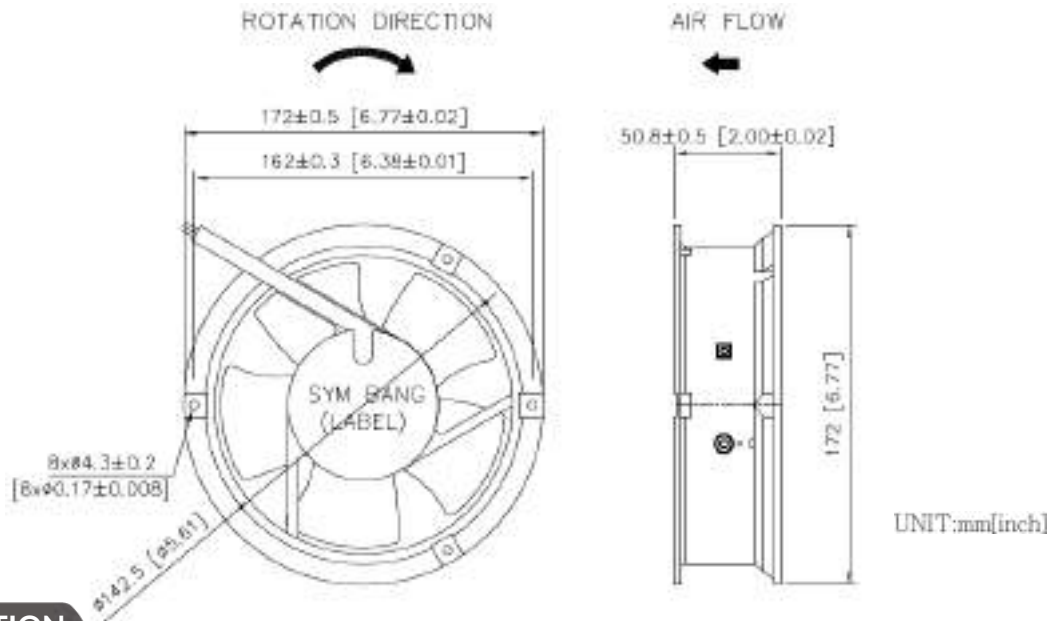
[Http://www.ytk-group.co.jp](http://www.ytk-group.co.jp)

**D****17051**

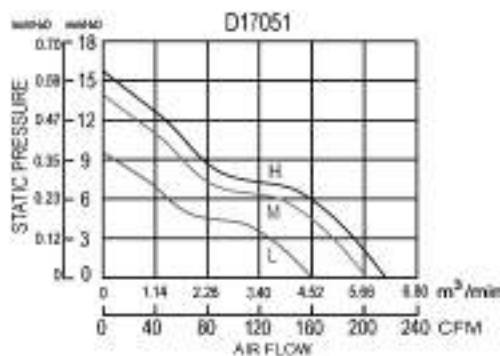
Ø172X51mm(Ø6.7"x2")

**CE**

HOUSING Aluminum Die Casting, Painted Black  
 IMPELLER Thermoplastic PBT, UL94V-0  
 BEARING Ball  
 OPERATING TEMPERATURE -10°C to + 60°C  
 DIELECTRIC STRENGTH 5mA Max. at 500 VAC for 1 minute  
 INSULATION RESISTANCE 10M Ω min. @500 VDC  
 WEIGHT 730 g  
 ROHS COMPLIANCE Yes  
 IP LEVEL IP21 (Special IP Rating On Request)

**170**mm**DIMENSION****SPECIFICATION**

MODEL NO.	RATED VOLTAGE (V)	RATED CURRENT (A)	INPUT POWER (W)	SPEED (RPM)	MAX. AIR PRESSURE		MAX. AIR FLOW		NOISE dB(A) @1M
					inch/H2O	mm/H2O	CFM	m3/min	
D17051V24HB	24	0.8	19.2	3400	0.62	15.7	216	6.12	60
D17051V24MB	24	0.6	14.4	2900	0.54	13.9	202	5.69	56
D17051V24LB	24	0.45	10.8	2400	0.38	9.6	160	5.04	51
D17051V48HB	48	0.4	19.2	3400	0.62	15.7	216	6.12	60
D17051V48MB	48	0.35	16.8	2900	0.54	13.9	202	5.69	56
D17051V48LB	48	0.25	12	2400	0.38	9.6	160	5.04	51

**AIR PERFORMANCE**

# D

# 17051-DA

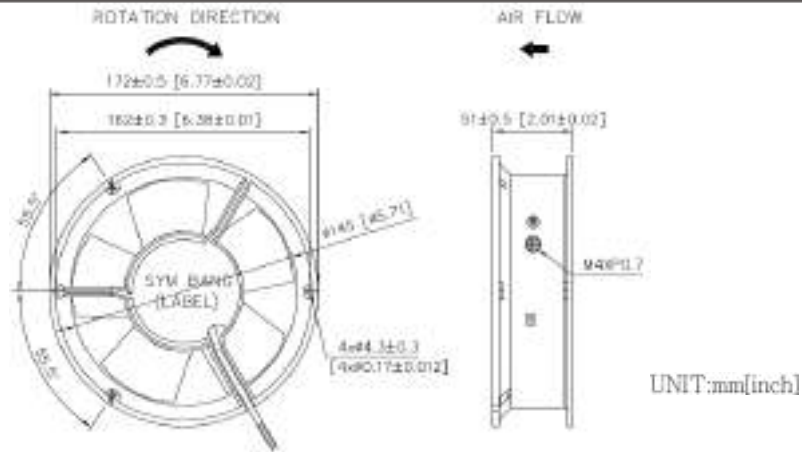
Ø172X51mm(Ø6.7"x2.00")



HOUSING	Aluminum Die Casting, Painted Black
IMPELLER	Thermoplastic PBT, UL94V-0
BEARING	Ball
OPERATING TEMPERATURE	-10°C to + 70°C
DIELECTRIC STRENGTH	5mA Max. at 500 VAC for 1 minute
INSULATION RESISTANCE	10M Ω min. @500 VDC
WEIGHT	1.1 Kg
ROHS COMPLIANCE	Yes
IP LEVEL	IP54 (Special IP Rating On Request)

# 170mm

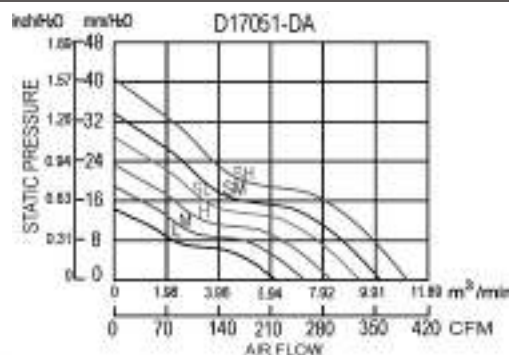
## DIMENSION



## SPECIFICATION

MODEL NO.	RATED VOLTAGE (V)	RATED CURRENT (A)	INPUT POWER (W)	SPEED (RPM)	MAX. AIR PRESSURE		MAX. AIR FLOW		NOISE dB(A) @1M
					inch/H <sub>2</sub> O	mm/H <sub>2</sub> O	CFM	m <sup>3</sup> /min	
D17051V12SLB-DA	12	3.73	44.76	4000	1.13	28.8	325	9.20	64
D17051V12HB-DA	12	2.75	33.00	3600	0.93	23.5	290	8.21	60
D17051V12MB-DA	12	1.88	22.56	3200	0.74	18.7	255	7.22	56
D17051V12LB-DA	12	1.31	15.72	2800	0.57	14.5	220	6.22	52
D17051V24SHB-DA	24	2.94	70.56	4800	1.59	40.3	390	11.04	72
D17051V24SMB-DA	24	2.41	57.84	4400	1.34	34.1	355	10.05	68
D17051V24SLB-DA	24	1.69	40.56	4000	1.13	28.8	325	9.20	64
D17051V24HB-DA	24	1.21	29.04	3600	0.93	23.5	290	8.21	60
D17051V24MB-DA	24	0.89	21.36	3200	0.74	18.7	255	7.22	56
D17051V24LB-DA	24	0.65	15.60	2800	0.57	14.5	220	6.22	52
D17051V48SHB-DA	48	1.48	71.04	4800	1.59	40.3	390	11.04	72
D17051V48SMB-DA	48	1.15	55.20	4400	1.34	34.1	355	10.05	68
D17051V48SLB-DA	48	0.79	37.92	4000	1.13	28.8	325	9.20	64
D17051V48HB-DA	48	0.60	28.80	3600	0.93	23.5	290	8.21	60
D17051V48MB-DA	48	0.45	24.60	3200	0.74	18.7	255	7.22	56
D17051V48LB-DA	48	0.33	15.84	2800	0.57	14.5	220	6.22	52

## AIR PERFORMANCE



# D 17225-SU

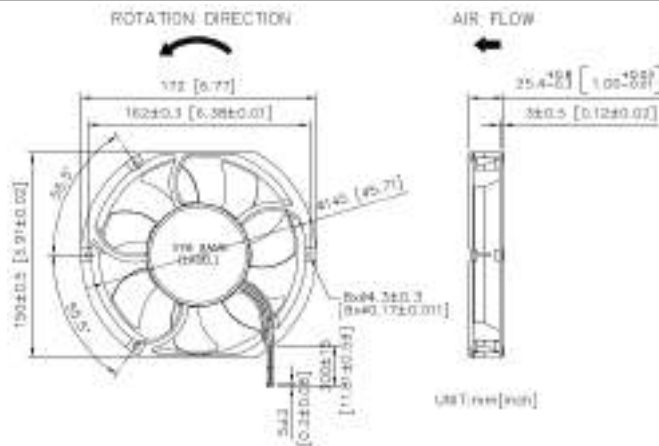
172X150X25mm(6.77"x5.91"x0.98")



HOUSING Thermoplastic PBT, UL94V-0  
 IMPELLER Thermoplastic PBT, UL94V-0  
 BEARING Ball  
 TERMINATION Lead Wire  
 OPERATING TEMPERATURE -10°C to + 60°C  
 DIELECTRIC STRENGTH 5mA Max. at 500 VAC for 1 minute  
 INSULATION RESISTANCE 10M  $\Omega$  min. @500 VDC  
 WEIGHT 305 g  
 ROHS COMPLIANCE Yes  
 IP LEVEL IP21 (Special IP Rating On Request)

# 172 mm

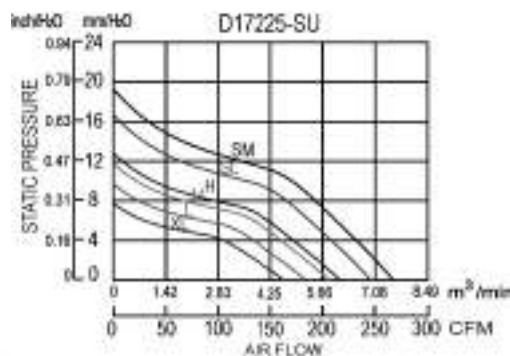
## DIMENSION



## SPECIFICATION

MODEL NO.	RATED VOLTAGE (V)	RATED CURRENT (A)	INPUT POWER (W)	SPEED (RPM)	MAX. AIR PRESSURE		MAX. AIR FLOW		NOISE dB(A) @1M
					inch/H <sub>2</sub> O	mm/H <sub>2</sub> O	CFM	m <sup>3</sup> /min	
D17225V12HB-SU	12	1.40	16.8	3200	0.51	12.93	214.1	6.06	55
D17225V12MB-SU	12	1.10	13.2	3000	0.47	11.95	204.1	5.78	54
D17225V12LB-SU	12	0.80	9.6	2700	0.38	9.76	182.4	5.16	50
D17225V12XLB-SU	12	0.57	6.84	2400	0.31	7.84	162.8	4.61	48
D17225V24SMB-SU	24	1.30	31.2	4000	0.76	19.32	264.2	7.48	61
D17225V24SLB-SU	24	0.95	22.8	3600	0.66	16.8	245.3	6.94	58
D17225V24HB-SU	24	0.70	16.8	3200	0.51	12.93	214.1	6.06	55
D17225V24MB-SU	24	0.55	13.2	3000	0.47	11.95	204.1	5.78	54
D17225V24LB-SU	24	0.40	9.6	2700	0.38	9.46	182.4	5.16	50
D17225V24XLB-SU	24	0.28	6.72	2400	0.31	7.84	162.9	4.61	48
D17225V48SMB-SU	48	0.75	36	4000	0.76	19.32	264.2	7.48	61
D17225V48SLB-SU	48	0.59	28.32	3600	0.66	16.8	245.3	6.94	58
D17225V48HB-SU	48	0.36	17.28	3200	0.51	12.93	214.1	6.06	55
D17225V48MB-SU	48	0.31	14.88	3000	0.47	11.95	204.1	5.78	54
D17225V48LB-SU	48	0.23	11.04	2700	0.38	9.46	182.4	5.16	50
D17225V48XLB-SU	48	0.18	8.64	2400	0.31	7.84	162.9	4.61	48

## AIR PERFORMANCE

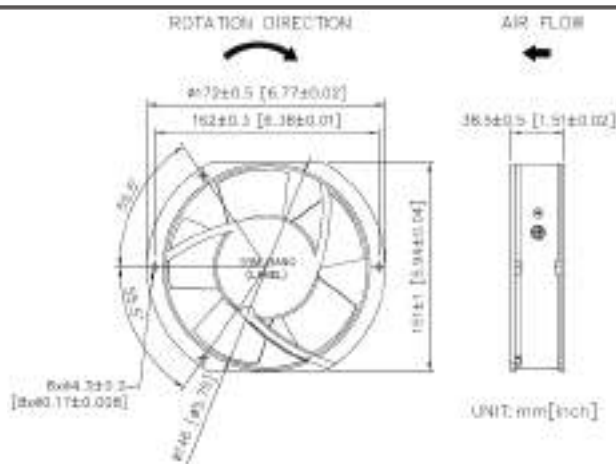


**D****17238-DA**

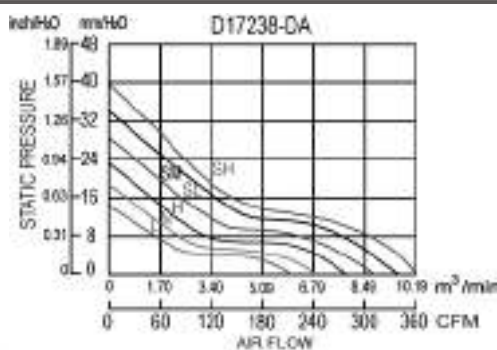
172X151X38mm(6.77"x5.94"x1.5")

**CE**

HOUSING Aluminum Die Casting, Painted Black  
 IMPELLER Thermoplastic PBT, UL94V-0  
 BEARING Ball  
 OPERATING TEMPERATURE -10°C to + 70°C  
 DIELECTRIC STRENGTH 5mA Max. at 500 VAC for 1 minute  
 INSULATION RESISTANCE 10M  $\Omega$  min. @500 VDC  
 WEIGHT 840 g  
 ROHS COMPLIANCE Yes  
 IP LEVEL IP54 (Special IP Rating On Request)

**172** mm**DIMENSION****SPECIFICATION**

MODEL NO.	RATED VOLTAGE (V)	RATED CURRENT (A)	INPUT POWER (W)	SPEED (RPM)	MAX. AIR PRESSURE		MAX. AIR FLOW		NOISE dB(A) @1M
					inch/H <sub>2</sub> O	mm/H <sub>2</sub> O	CFM	m <sup>3</sup> /min	
D17238V12SLB-DA	12	3.33	39.96	4000	1.12	28.5	310	8.8	64
D17238V12HB-DA	12	2.34	28.08	3600	0.91	23.1	275	7.8	60
D17238V12MB-DA	12	1.59	19.08	3200	0.73	18.6	245	6.9	56
D17238V12LB-DA	12	1.1	13.2	2800	0.57	14.5	210	5.9	52
D17238V24SHB-DA	24	2.34	56.16	4800	1.54	39.2	360	10.2	72
D17238V24SMB-DA	24	1.91	45.84	4400	1.32	33.4	340	9.6	68
D17238V24SLB-DA	24	1.38	33.12	4000	1.12	28.5	310	8.8	64
D17238V24HB-DA	24	1.08	25.92	3600	0.91	23.1	275	7.8	60
D17238V24MB-DA	24	0.78	18.72	3200	0.73	18.6	245	6.9	56
D17238V24LB-DA	24	0.54	12.96	2800	0.57	14.5	210	2.9	52
D17238V48SHB-DA	48	1.13	54.24	4800	1.54	39.2	360	10.2	72
D17238V48SMB-DA	48	0.9	43.2	4400	1.32	33.4	340	9.6	68
D17238V48SLB-DA	48	0.68	32.64	4000	1.12	28.5	310	8.8	64
D17238V48HB-DA	48	0.52	24.96	3600	0.91	23.1	275	7.8	60
D17238V48MB-DA	48	0.37	17.76	3200	0.76	18.6	245	6.9	56
D17238V48LB-DA	48	0.28	13.44	2800	0.57	14.5	210	2.9	52

**AIR PERFORMANCE**

# D 17238M

172X151X38mm(6.8"x5.9"x1.5")

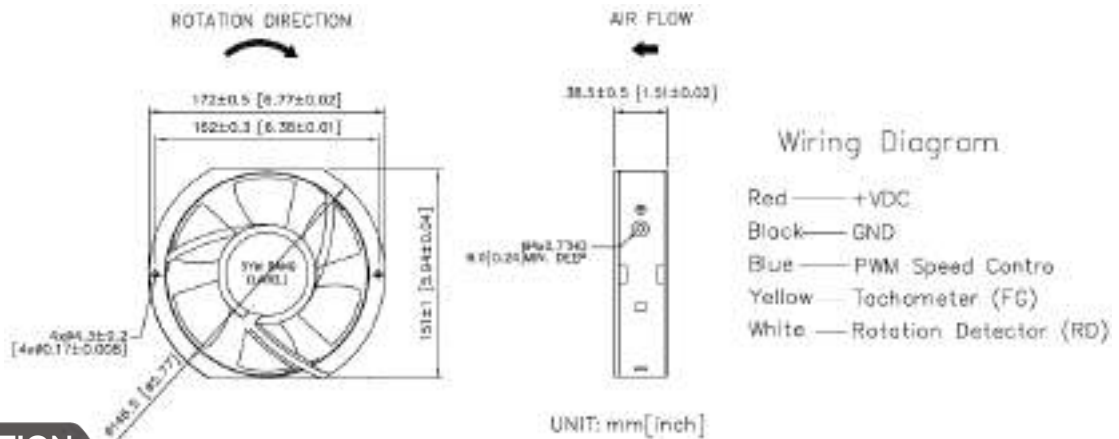


HOUSING  
IMPELLER  
BEARING  
OPERATING TEMPERATURE  
DIELECTRIC STRENGTH  
INSULATION RESISTANCE  
WEIGHT  
ROHS COMPLIANCE  
IP LEVEL

Aluminum Die Casting, Painted Black  
Metal  
Ball  
-10°C to + 70°C  
5mA Max. at 500 VAC for 1 minute  
10M Ω min. @500 VDC  
880 g  
Yes  
IP21 (Special IP Rating On Request)

# 172 mm

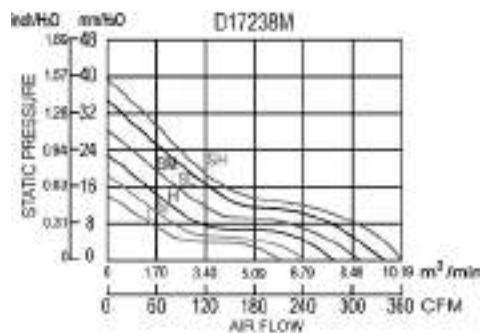
## DIMENSION



## SPECIFICATION

MODEL NO.	RATED VOLTAGE (V)	RATED CURRENT (A)	INPUT POWER (W)	SPEED (RPM)	MAX. AIR PRESSURE		MAX. AIR FLOW		NOISE dB(A) @1M
					inch/H <sub>2</sub> O	mm/H <sub>2</sub> O	CFM	m <sup>3</sup> /min	
D17238V12SLBM	12	3.33	39.96	4000	1.12	28.5	310	8.77	64
D17238V12HBM	12	2.34	28.08	3600	0.91	23.1	275	7.78	60
D17238V12MBM	12	1.59	19.08	3200	0.73	18.6	245	6.93	56
D17238V12LBM	12	1.1	13.2	2800	0.57	14.5	210	5.94	52
D17238V24SHBM	24	2.34	56.16	4800	1.54	39.2	360	10.19	72
D17238V24SMBM	24	1.91	45.84	4400	1.32	33.4	340	9.62	68
D17238V24SLBM	24	1.38	33.12	4000	1.12	28.5	310	8.77	64
D17238V24HBM	24	1.08	25.92	3600	0.91	23.1	275	7.78	60
D17238V24MBM	24	0.78	18.72	3200	0.73	18.6	245	6.93	56
D17238V24LBM	24	0.54	12.96	2800	0.57	14.5	210	5.94	52
D17238V48SHBM	48	1.13	54.24	4800	1.54	39.2	360	10.19	72
D17238V48SMBM	48	0.9	43.2	4400	1.31	33.4	340	9.62	68
D17238V48SLBM	48	0.68	32.64	4000	1.12	28.5	310	8.77	64
D17238V48HBM	48	0.52	24.96	3600	0.91	23.1	275	7.78	60
D17238V48MBM	48	0.37	17.76	3200	0.73	18.6	245	6.93	56
D17238V48LBM	48	0.28	13.44	2800	0.57	14.5	210	5.94	52

## AIR PERFORMANCE

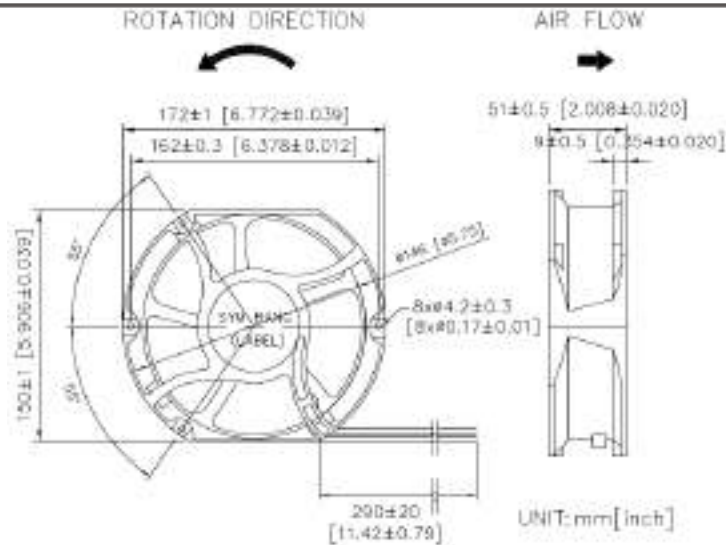


**D****17251**

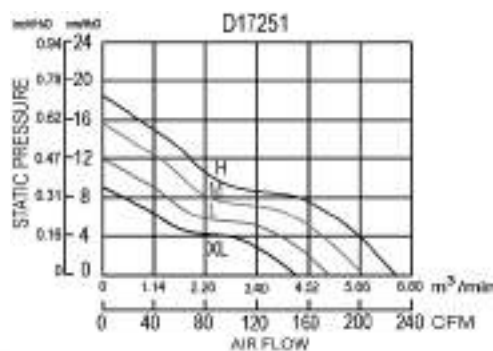
172X151X51mm(6.77"x5.94"x2")



HOUSING Aluminum Die Casting, Painted Black  
 IMPELLER Thermoplastic PBT, UL94V-0  
 BEARING Ball  
 OPERATING TEMPERATURE -10°C to + 60°C  
 DIELECTRIC STRENGTH 5mA Max. at 500 VAC for 1 minute  
 INSULATION RESISTANCE 10M  $\Omega$  min. @500 VDC  
 WEIGHT 792 g  
 ROHS COMPLIANCE Yes  
 IP LEVEL IP21 (Special IP Rating On Request)

**172** mm**DIMENSION****SPECIFICATION**

MODEL NO.	RATED VOLTAGE (V)	RATED CURRENT (A)	INPUT POWER (W)	SPEED (RPM)	MAX. AIR PRESSURE		MAX. AIR FLOW		NOISE dB(A) @1M
					inch/H <sub>2</sub> O	mm/H <sub>2</sub> O	CFM	m <sup>3</sup> /min	
D17251V12H	12	1.90	23.0	3400	0.73	18.50	228	6.46	58
D17251V12M	12	1.40	16.8	3000	0.62	15.75	203	5.75	56
D17251V12L	12	0.85	10.2	2600	0.47	11.94	175	4.96	52
D17251V12XL	12	0.60	7.2	2200	0.36	9.14	149	4.22	46
D17251V24H	24	0.87	21.0	3400	0.73	18.50	228	6.46	58
D17251V24M	24	0.65	16.0	3000	0.62	15.75	203	5.75	56
D17251V24L	24	0.44	10.5	2600	0.47	11.94	175	4.96	52
D17251V24XL	24	0.30	7.4	2200	0.36	9.14	149	4.22	46
D17251V48H	48	0.50	24.0	3400	0.73	18.50	228	6.46	58
D17251V48M	48	0.35	17.0	3000	0.62	15.75	203	5.75	56
D17251V48L	48	0.28	13.0	2600	0.47	11.94	175	4.96	52
D17251V48XL	48	0.19	9.0	2200	0.36	9.14	149	4.22	46

**AIR PERFORMANCE**

**D****17251-C**

172X151X51mm(6.77"x5.94"x2")

**CE**

HOUSING  
IMPELLER  
BEARING  
OPERATING TEMPERATURE  
DIELECTRIC STRENGTH  
INSULATION RESISTANCE  
WEIGHT  
ROHS COMPLIANCE  
IP LEVEL

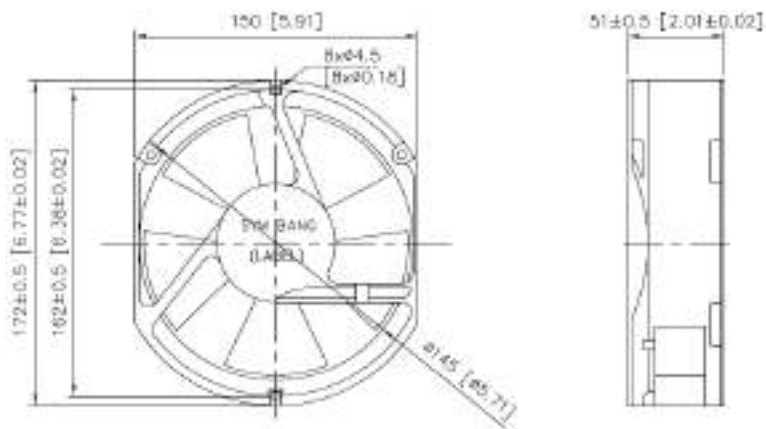
Aluminum Die Casting, Painted Black  
Thermoplastic PBT, UL94V-0  
Ball  
-10°C to + 60°C  
5mA Max. at 500 VAC for 1 minute  
10M  $\Omega$  min. @500 VDC  
1 kg  
Yes  
IP21 (Special IP Rating On Request)

**172** mm**DIMENSION**

ROTATION DIRECTION



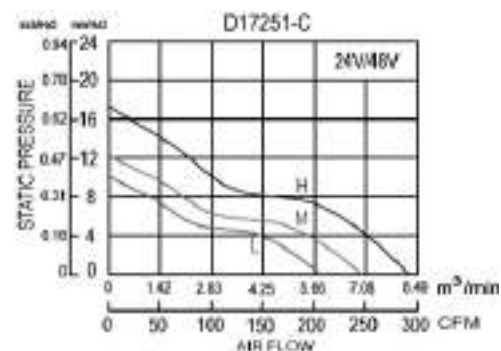
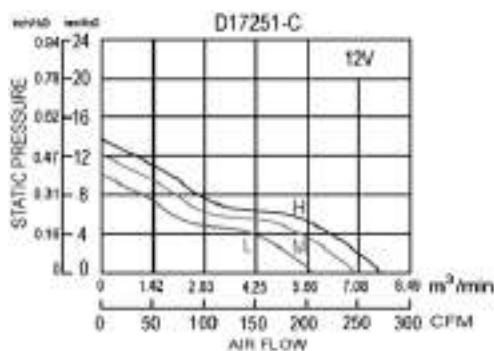
AIR FLOW



UNIT:mm[inch]

**SPECIFICATION**

MODEL NO.	RATED VOLTAGE (V)	RATED CURRENT (A)	INPUT POWER (W)	SPEED (RPM)	MAX. AIR PRESSURE		MAX. AIR FLOW		NOISE dB(A) @1M
					inch/H <sub>2</sub> O	mm/H <sub>2</sub> O	CFM	m <sup>3</sup> /min	
D17251V12HB-C	12	2.20	26.4	3150	0.53	13.53	270	7.64	60
D17251V12MB-C	12	1.80	21.6	2900	0.47	12.10	245	6.94	58
D17251V12LB-C	12	1.10	13.2	2400	0.40	10.16	205	5.80	53
D17251V24HB-C	24	1.20	28.8	3400	0.67	17.05	290	8.23	63
D17251V24MB-C	24	0.77	18.48	2900	0.47	12.10	245	6.94	58
D17251V24LB-C	24	0.48	11.52	2400	0.40	10.16	205	5.80	53
D17251V48HB-C	48	0.73	35.04	3400	0.67	17.05	290	8.23	63
D17251V48MB-C	48	0.38	18.24	2900	0.47	12.10	245	6.94	58
D17251V48LB-C	48	0.25	12.00	2400	0.40	10.16	205	5.80	53

**AIR PERFORMANCE**



# D

# 17251-DA

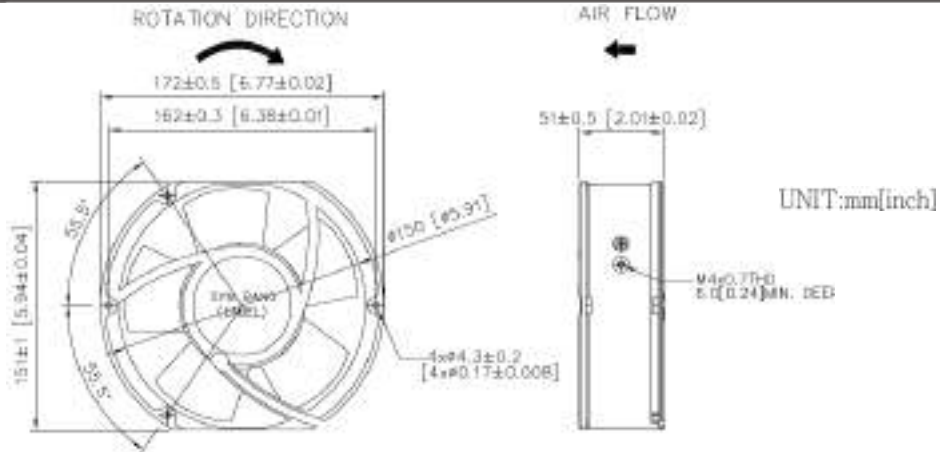
172X151X51mm(6.77"x5.94"x2")



HOUSING	Aluminum Die Casting, Painted Black
IMPELLER	Thermoplastic PBT, UL94V-0
BEARING	Ball
OPERATING TEMPERATURE	-10°C to + 70°C
DIELECTRIC STRENGTH	5mA Max. at 500 VAC for 1 minute
INSULATION RESISTANCE	10M $\Omega$ min. @500 VDC
WEIGHT	1.07 kg
ROHS COMPLIANCE	Yes
IP LEVEL	IP54 (Special IP Rating On Request)

# 172 mm

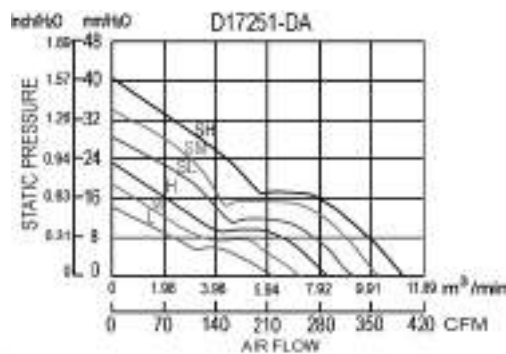
## DIMENSION



## SPECIFICATION

MODEL NO.	RATED VOLTAGE (V)	RATED CURRENT (A)	INPUT POWER (W)	SPEED (RPM)	MAX. AIR PRESSURE		MAX. AIR FLOW		NOISE dB(A) @1M
					inch/H <sub>2</sub> O	mm/H <sub>2</sub> O	CFM	m <sup>3</sup> /min	
D17251V12SLB-DA	12	3.73	44.76	4000	1.13	28.8	325	9.20	64
D17251V12HB-DA	12	2.75	33.00	3600	0.93	23.5	290	8.21	60
D17251V12MB-DA	12	1.88	22.56	3200	0.74	18.7	255	7.22	56
D17251V12LB-DA	12	1.31	17.72	2800	0.57	14.5	220	6.23	52
D17251V24SHB-DA	24	2.94	70.56	4800	1.59	40.3	390	11.04	72
D17251V24SMB-DA	24	2.41	57.84	4400	1.34	34.1	355	10.05	68
D17251V24SLB-DA	24	1.69	40.56	4000	1.13	28.8	325	9.20	64
D17251V24HB-DA	24	1.21	29.04	3600	0.93	23.5	290	8.21	60
D17251V24MB-DA	24	0.89	21.36	3200	0.74	18.7	255	7.22	56
D17251V24LB-DA	24	0.65	15.60	2800	0.57	14.5	220	6.23	52
D17251V48SHB-DA	48	1.48	70.04	4800	1.59	40.3	390	11.04	72
D17251V48SMB-DA	48	1.15	55.20	4400	1.34	34.1	355	10.05	68
D17251V48SLB-DA	48	0.79	37.92	4000	1.13	28.8	325	9.20	64
D17251V48HB-DA	48	0.60	28.80	3600	0.93	23.5	290	8.21	60
D17251V48MB-DA	48	0.45	21.6	3200	0.74	18.7	255	7.22	56
D17251V48LB-DA	48	0.33	15.84	2800	0.57	14.5	220	6.23	52

## AIR PERFORMANCE

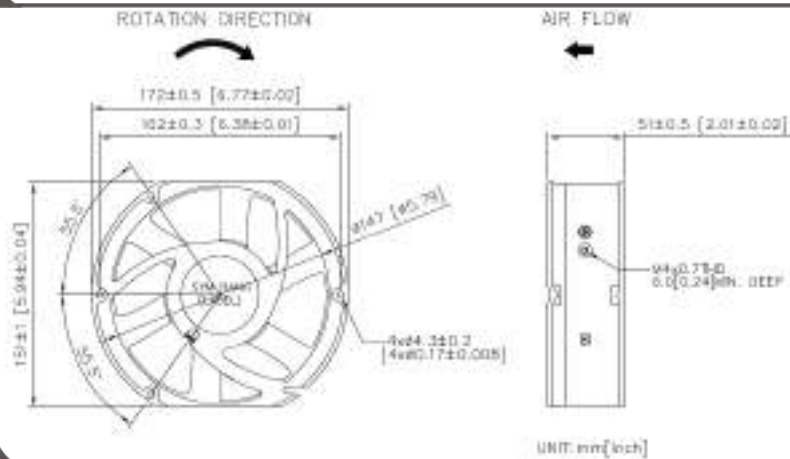


**D****17251M**

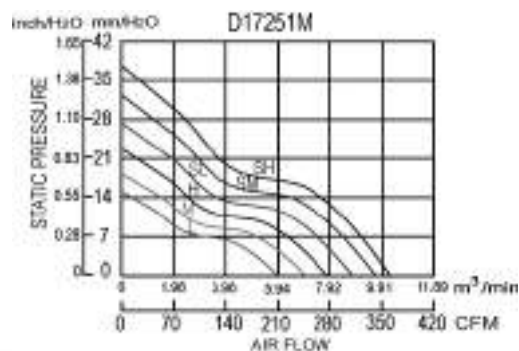
172X151X51mm(6.77"x5.94"x2")

**CE**

HOUSING Aluminum Die Casting, Painted Black  
 IMPELLER Metal  
 BEARING Ball  
 OPERATING TEMPERATURE -10°C to + 70°C  
 DIELECTRIC STRENGTH 5mA Max. at 500 VAC for 1 minute  
 INSULATION RESISTANCE 10M  $\Omega$  min. @500 VDC  
 WEIGHT 1.15 kg  
 ROHS COMPLIANCE Yes  
 IP LEVEL IP21 (Special IP Rating On Request)

**172** mm**DIMENSION****SPECIFICATION**

MODEL NO.	RATED VOLTAGE (V)	RATED CURRENT (A)	INPUT POWER (W)	SPEED (RPM)	MAX. AIR PRESSURE		MAX. AIR FLOW		NOISE dB(A) @1M
					inch/H <sub>2</sub> O	mm/H <sub>2</sub> O	CFM	m <sup>3</sup> /min	
D17251V12SLBM	12	3.40	40.8	4000	1.10	27.8	310	8.77	64
D17251V12HBM	12	2.37	28.44	3600	0.89	22.7	275	7.78	60
D17251V12MBM	12	1.65	19.8	3200	0.71	18.1	245	6.93	56
D17251V12LBM	12	1.08	12.96	2800	0.56	14.2	210	5.94	52
D17251V24SHBM	24	2.24	53.76	4800	1.49	37.8	360	10.19	72
D17251V24SMBM	24	1.88	45.12	4400	1.30	32.9	340	9.62	68
D17251V24SLBM	24	1.36	32.64	4000	1.10	27.8	310	8.77	64
D17251V24HBM	24	1.10	26.4	3600	0.89	22.7	275	7.78	60
D17251V24MBM	24	0.76	18.24	3200	0.71	18.1	245	6.93	56
D17251V24LBM	24	0.54	12.96	2800	0.56	14.2	210	5.94	52
D17251V48SHBM	48	1.12	53.76	4800	1.49	37.8	360	10.19	72
D17251V48SMBM	48	0.94	45.12	4400	1.30	32.9	340	9.62	68
D17251V48SLBM	48	0.68	32.64	4000	1.10	27.8	310	8.77	64
D17251V48HBM	48	0.53	25.44	3600	0.89	22.7	275	7.78	60
D17251V48MBM	48	0.38	18.24	3200	0.71	18.1	245	6.93	56
D17251V48LBM	48	0.27	12.96	2800	0.56	14.2	210	5.94	52

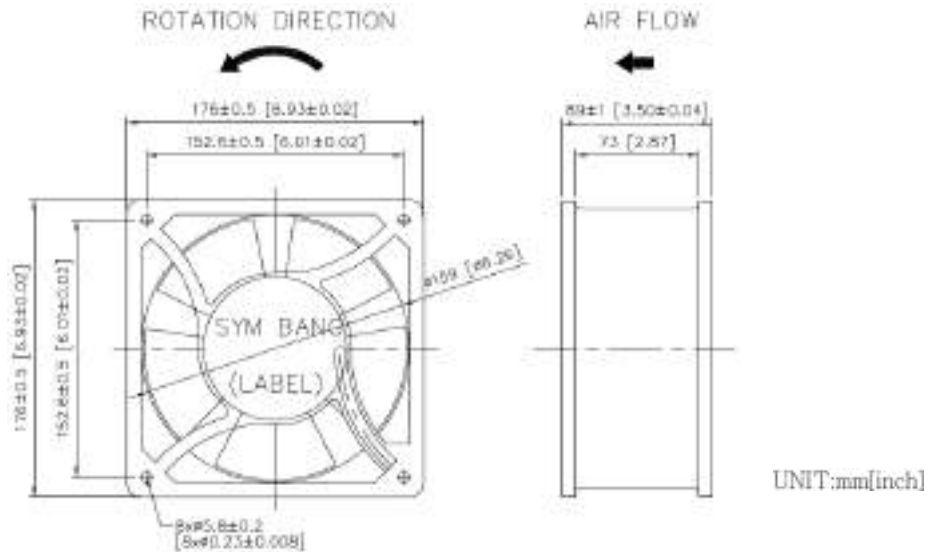
**AIR PERFORMANCE**

**D****17689**

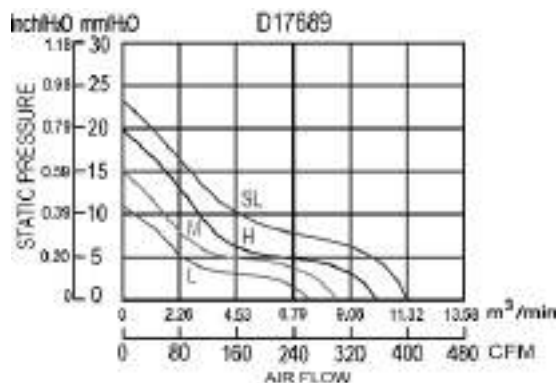
176X176X89mm(6.92"x6.92"x3.5")

**CE**

HOUSING Aluminum Die Casting, Painted Black  
 IMPELLER Thermoplastic PBT+ 30% Glass Fiber  
 BEARING Ball  
 OPERATING TEMPERATURE -10°C to + 60°C  
 DIELECTRIC STRENGTH 5mA Max. at 500 VAC for 1 minute  
 INSULATION RESISTANCE 10M  $\Omega$  min. @500 VDC  
 WEIGHT 1.7 kg  
 ROHS COMPLIANCE Yes  
 IP LEVEL IP21 (Special IP Rating On Request)

**176** mm**DIMENSION****SPECIFICATION**

MODEL NO.	RATED VOLTAGE (V)	RATED CURRENT (A)	INPUT POWER (W)	SPEED (RPM)	MAX. AIR PRESSURE		MAX. AIR FLOW		NOISE dB(A) @1M
					inch/H <sub>2</sub> O	mm/H <sub>2</sub> O	CFM	m <sup>3</sup> /min	
D17689V24SL	24	2.20	52.8	3500	0.91	23	400	11.3	65
D17689V24H	24	1.60	38.4	3100	0.79	20	350	9.9	56
D17689V24M	24	0.88	21.1	2600	0.59	15	300	8.5	47
D17689V24L	24	0.66	15.8	2300	0.43	11	260	7.4	42
D17689V48SL	48	1.10	52.8	3500	0.91	23	400	11.3	65
D17689V48H	48	0.80	38.4	3100	0.79	20	350	9.9	56
D17689V48M	48	0.44	21.1	2600	0.59	15	300	8.5	47
D17689V48L	48	0.33	15.8	2300	0.43	11	260	7.4	42

**AIR PERFORMANCE**

# D 18065

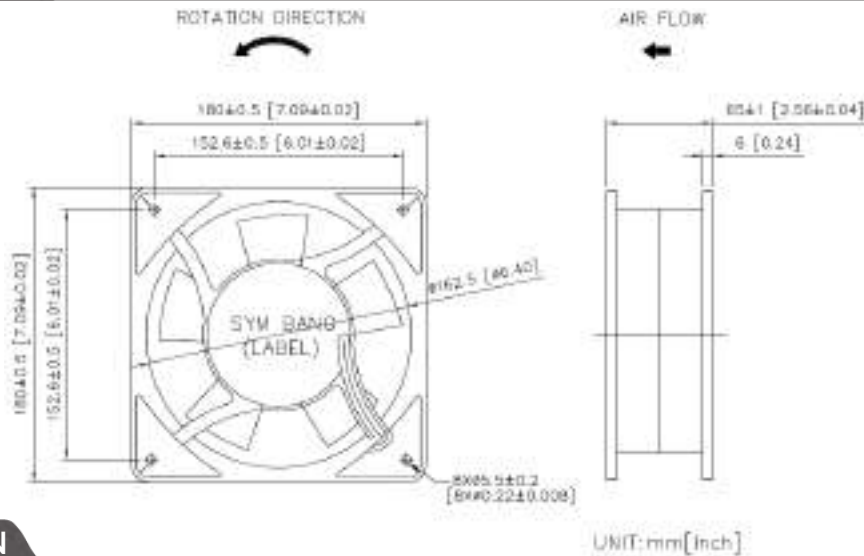
180X180X65mm(7.09"x7.09"x2.56")



HOUSING Aluminum Die Casting, Painted Black  
 IMPELLER Thermoplastic PBT+ 30% Glass Fiber  
 BEARING Ball  
 OPERATING TEMPERATURE -10°C to + 60°C  
 DIELECTRIC STRENGTH 5mA Max. at 500 VAC for 1 minute  
 INSULATION RESISTANCE 10M  $\Omega$  min. @500 VDC  
 WEIGHT 1.5 kg  
 ROHS COMPLIANCE Yes  
 IP LEVEL IP21 (Special IP Rating On Request)

# 180mm

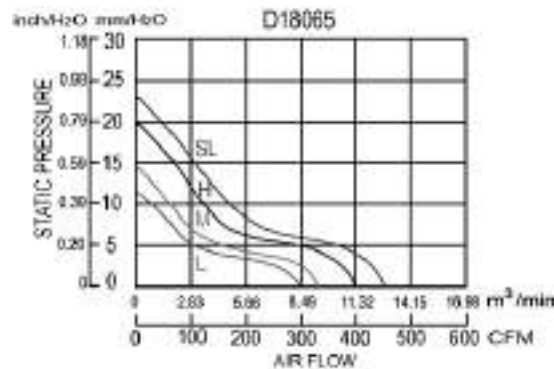
## DIMENSION



## SPECIFICATION

MODEL NO.	RATED VOLTAGE (V)	RATED CURRENT (A)	INPUT POWER (W)	SPEED (RPM)	MAX. AIR PRESSURE		MAX. AIR FLOW		NOISE dB(A) @1M
					inch/H2O	mm/H2O	CFM	m3/min	
D18065V24SL	24	2.20	52.8	3500	0.91	23.0	450	12.7	65
D18065V24H	24	1.6	38.4	3100	0.79	20.0	400	11.3	56
D18065V24M	24	0.88	21.1	2600	0.57	14.5	330	9.3	47
D18065V24L	24	0.66	15.8	2300	0.45	11.5	300	8.5	42
D18065V48SL	48	1.10	52.8	3500	0.91	23.0	450	12.7	65
D18065V48H	48	0.80	38.4	3100	0.79	20.0	400	11.3	56
D18065V48M	48	0.44	21.1	2600	0.57	14.5	330	9.3	47
D18065V48L	48	0.33	15.8	2300	0.45	11.5	300	8.5	42

## AIR PERFORMANCE



# D

# 20070

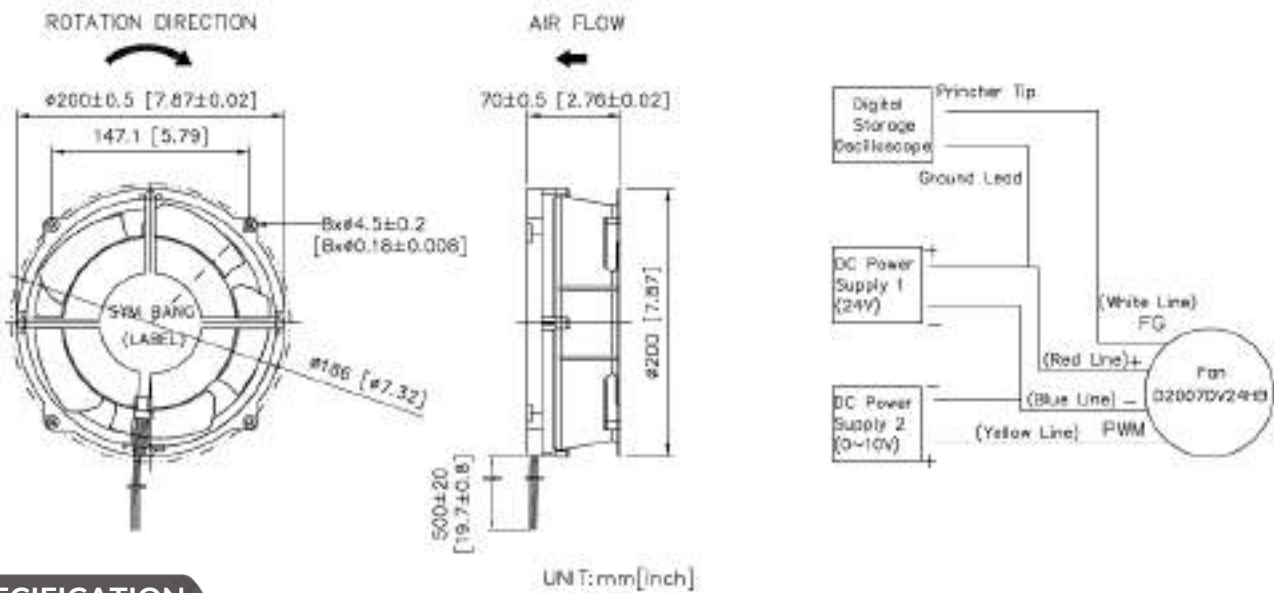
ø200X70mm(ø7.87"x2.76")



HOUSING	Aluminum Die Casting, Painted Black
IMPELLER	Thermoplastic PBT, UL94V-0
BEARING	Ball
OPERATING TEMPERATURE	-10°C to + 60°C
DIELECTRIC STRENGTH	5mA Max. at 500 VAC for 1 minute
INSULATION RESISTANCE	10M Ω min. @500 VDC
WEIGHT	1.76 kg
ROHS COMPLIANCE	Yes
IP LEVEL	IP42 (Special IP Rating On Request)

# 200mm

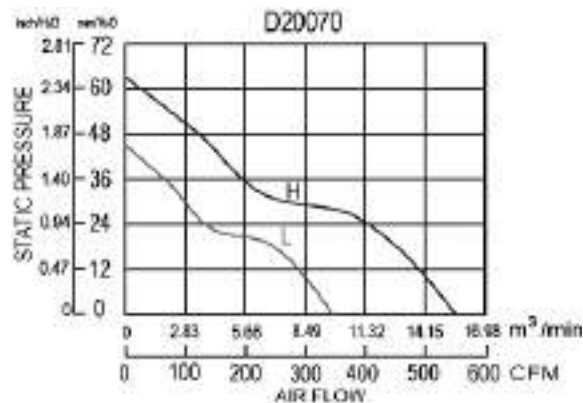
## DIMENSION



## SPECIFICATION

MODEL NO.	RATED VOLTAGE (V)	RATED CURRENT (A)	INPUT POWER (W)	SPEED (RPM)	MAX. AIR PRESSURE		MAX. AIR FLOW		NOISE dB(A) @1M
					inch/H <sub>2</sub> O	mm/H <sub>2</sub> O	CFM	m <sup>3</sup> /min	
D20070V24H	24	4.50	108.0	4600	2.66	67.6	517.7	14.7	69.5
D20070V48H	48	2.30	110.4	4600	2.66	67.6	517.7	14.7	69.5
D20070V48L	48	0.75	36.0	2900	1.24	31.4	319.1	9.30	58.0

## AIR PERFORMANCE



# D 22060-TK

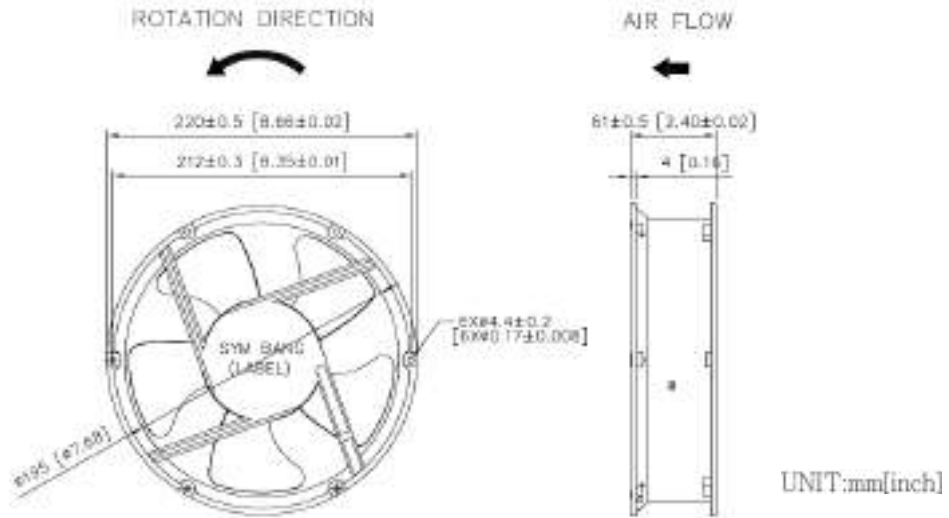
Ø220X60mm(Ø8.66"x2.36")



HOUSING	Aluminum Die Casting, Painted Black
IMPELLER	Thermoplastic PBT
BEARING	Ball
INSULATION	Class A
TERMINATION	Lead Wire
OPERATING TEMPERATURE	-10°C to + 70°C
DIELECTRIC STRENGTH	5mA Max. at 500 VAC for 1 minutes
INSULATION RESISTANCE	10M Ω min. @500 VDC
SAFETY	Thermally Protected
WEIGHT	930g
ROHS COMPLIANCE	Yes
IP LEVEL	IP21 (Special IP Rating On Request)

# 220mm

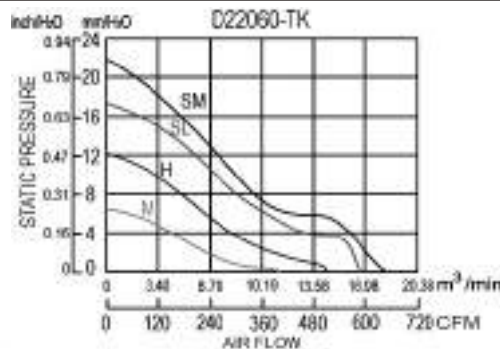
## DIMENSION



## SPECIFICATION

MODEL NO.	RATED VOLTAGE (V)	RATED CURRENT (A)	INPUT POWER (W)	SPEED (RPM)	MAX. AIR PRESSURE		MAX. AIR FLOW		NOISE dB(A) @1M
					inch/H <sub>2</sub> O	mm/H <sub>2</sub> O	CFM	m <sup>3</sup> /min	
D22060V12SMB-TK	12	7.40	88.80	3500	0.87	22.02	645.61	18.28	68.5
D22060V12SLB-TK	12	4.73	56.76	3000	0.68	17.28	586.69	16.61	63.6
D22060V12HB-TK	12	2.92	35.04	2500	0.48	12.15	513.39	14.54	60.0
D22060V12MB-TK	12	1.65	19.80	2000	0.26	6.65	400.58	11.34	54.6
D22060V24SMB-TK	24	3.52	84.48	3500	0.87	22.02	645.61	18.28	68.5
D22060V24SLB-TK	24	2.25	54.00	3000	0.68	17.28	586.69	16.61	63.6
D22060V24HB-TK	24	1.39	33.36	2500	0.48	12.15	513.39	14.54	60.0
D22060V24MB-TK	24	0.78	18.72	2000	0.26	6.65	400.58	11.34	54.6
D22060V48SMB-TK	48	1.67	80.16	3500	0.87	22.02	645.61	18.28	68.5
D22060V48SLB-TK	48	1.07	51.36	3000	0.68	17.28	586.69	16.61	63.6
D22060V48HB-TK	48	0.66	31.68	2500	0.48	12.15	513.39	14.54	60.0
D22060V48MB-TK	48	0.37	17.76	2000	0.26	6.65	400.58	11.34	54.6

## AIR PERFORMANCE



**D**

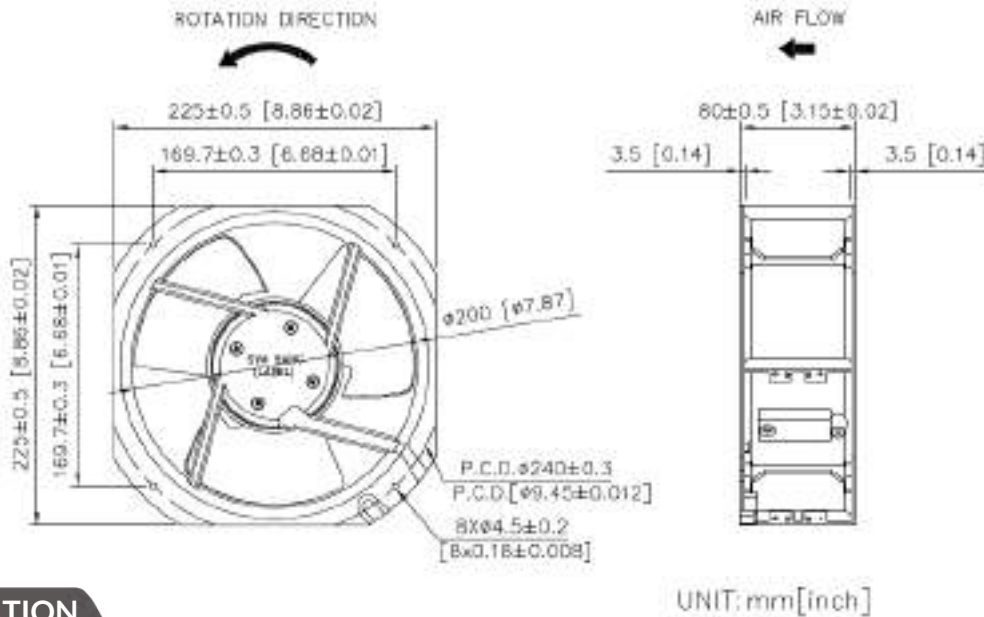
# 22580M-DA

225X225X80mm  
(8.77"x8.77"x3.12")

HOUSING	Aluminum Die Casting
IMPELLER	Metal
BEARING	Ball
OPERATING TEMPERATURE	-10°C to + 70°C
DIELECTRIC STRENGTH	5mA Max. at 500 VAC for 1 minute
INSULATION RESISTANCE	10M $\Omega$ min. @500 VDC
WEIGHT	2.53 kg
ROHS COMPLIANCE	Yes
IP LEVEL	IP54 (Special IP Rating On Request)

# 225 mm

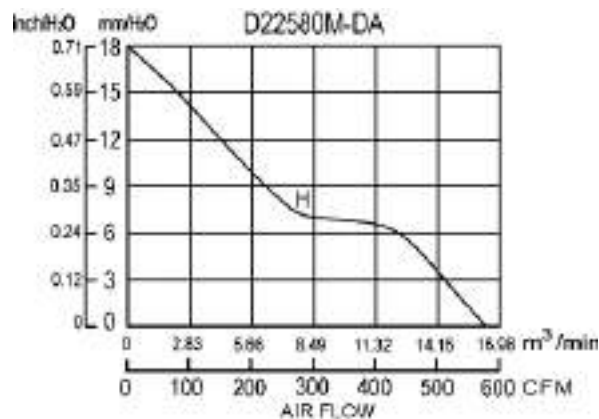
## DIMENSION



## SPECIFICATION

MODEL NO.	RATED VOLTAGE (V)	RATED CURRENT (A)	INPUT POWER (W)	SPEED (RPM)	MAX. AIR PRESSURE		MAX. AIR FLOW		NOISE dB(A) @1M
					inch/H <sub>2</sub> O	mm/H <sub>2</sub> O	CFM	m <sup>3</sup> /min	
D22580V24HBM-DA	24	2.2	52.8	2800	0.71	18	580	16.41	67
D22580V48HBM-DA	48	1.1	52.8	2800	0.71	18	580	16.41	67

## AIR PERFORMANCE



# D 22580M-PB



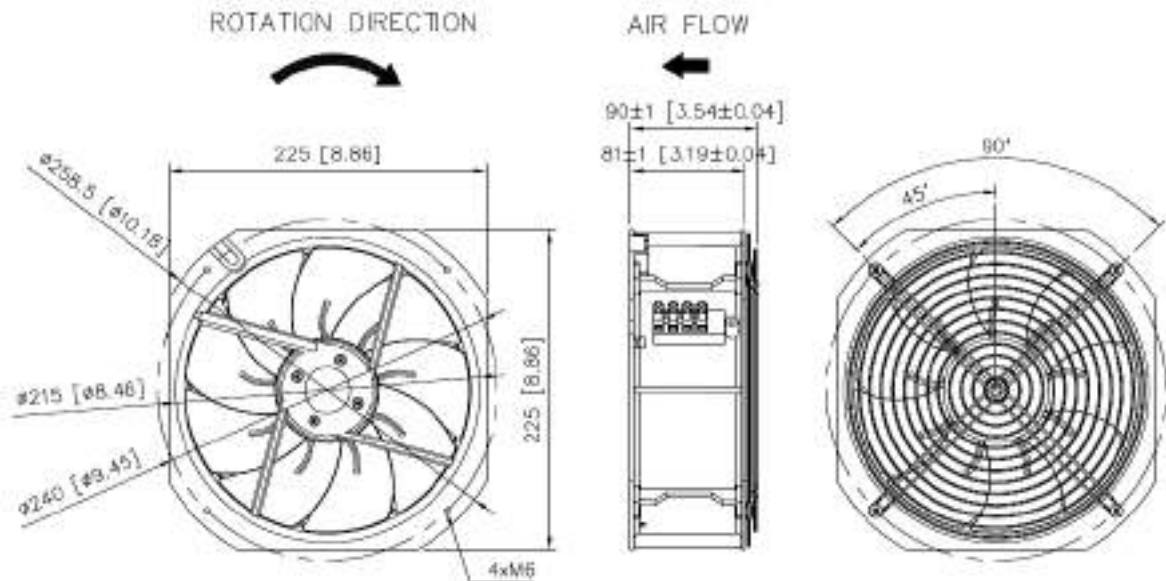
225X225X80mm  
(8.77"x8.77"x3.12")



HOUSING	Aluminum Die Casting
IMPELLER	Metal
BEARING	Ball
OPERATING TEMPERATURE	-25°C to + 60°C
DIELECTRIC STRENGTH	5mA Max. at 500 VAC for 1 minute
INSULATION RESISTANCE	10M $\Omega$ min. @500 VDC
WEIGHT	2.34 kg
ROHS COMPLIANCE	Yes
IP LEVEL	IP44 (Special IP Rating On Request)

# 225 mm

## DIMENSION

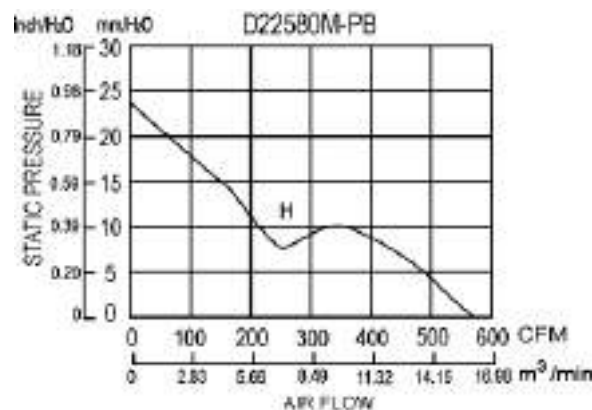


UNIT:mm[inch]

## SPECIFICATION

MODEL NO.	RATED VOLTAGE (V)	RATED CURRENT (A)	INPUT POWER (W)	SPEED (RPM)	MAX. AIR PRESSURE		MAX. AIR FLOW		NOISE dB(A) @1M
					inch/H <sub>2</sub> O	mm/H <sub>2</sub> O	CFM	m <sup>3</sup> /min	
D22580V24HBM-PB	24	2.2	53	2750	0.93	23.5	559	15.81	68
D22580V48HBM-PB	48	1.1	53	2750	0.93	23.5	559	15.82	68

## AIR PERFORMANCE





# D

# 25089

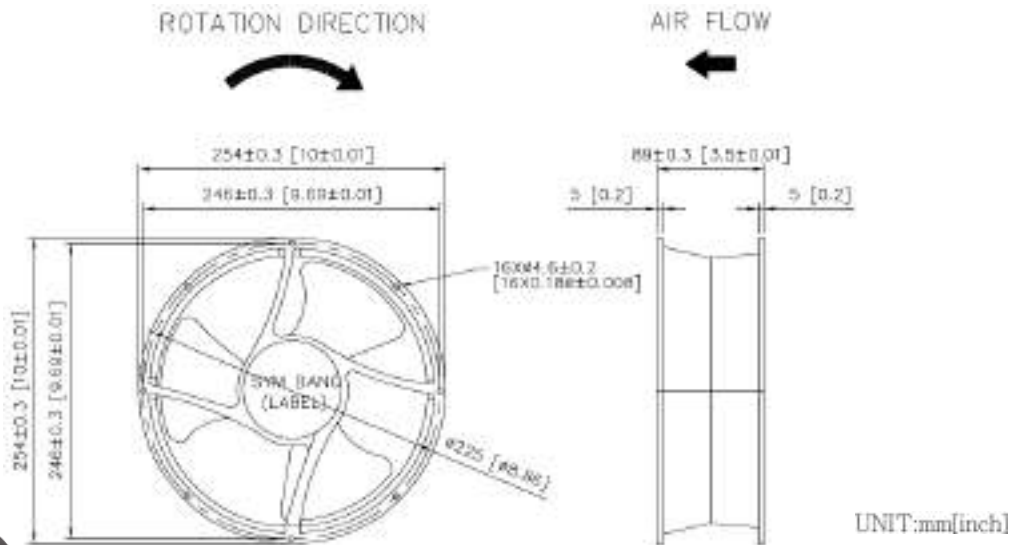
ø254X89mm(ø10"x3.50")



HOUSING Aluminum Die Casting, Painted Black  
 IMPELLER Thermoplastic PC+30%Glass Fiber  
 BEARING Ball  
 OPERATING TEMPERATURE -10°C to + 60°C  
 DIELECTRIC STRENGTH 5mA Max. at 500 VAC for 1 minute  
 INSULATION RESISTANCE 10M Ω min. @500 VDC  
 WEIGHT 2.2 kg  
 ROHS COMPLIANCE Yes  
 IP LEVEL IP21 (Special IP Rating On Request)

# 250mm

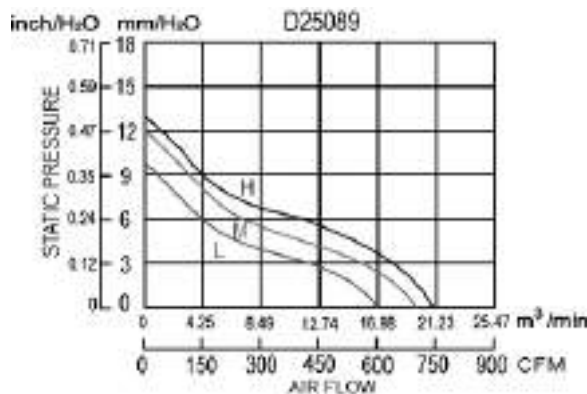
## DIMENSION



## SPECIFICATION

MODEL NO.	RATED VOLTAGE (V)	RATED CURRENT (A)	INPUT POWER (W)	SPEED (RPM)	MAX. AIR PRESSURE		MAX. AIR FLOW		NOISE dB(A) @1M
					inch/H2O	mm/H2O	CFM	m3/min	
D25089V24HB	24	2.20	52.8	2300	0.51	13.0	740	20.9	65
D25089V24MB	24	1.70	40.8	2100	0.48	12.1	700	19.8	56
D25089V24LB	24	1.10	26.4	1800	0.39	10.0	600	17.0	50
D25089V48HB	48	1.10	52.8	2300	0.51	13.0	740	20.9	65
D25089V48MB	48	0.85	40.8	2100	0.48	12.1	700	19.8	56
D25089V48LB	48	0.55	26.4	1800	0.39	10.0	600	17.0	50

## AIR PERFORMANCE

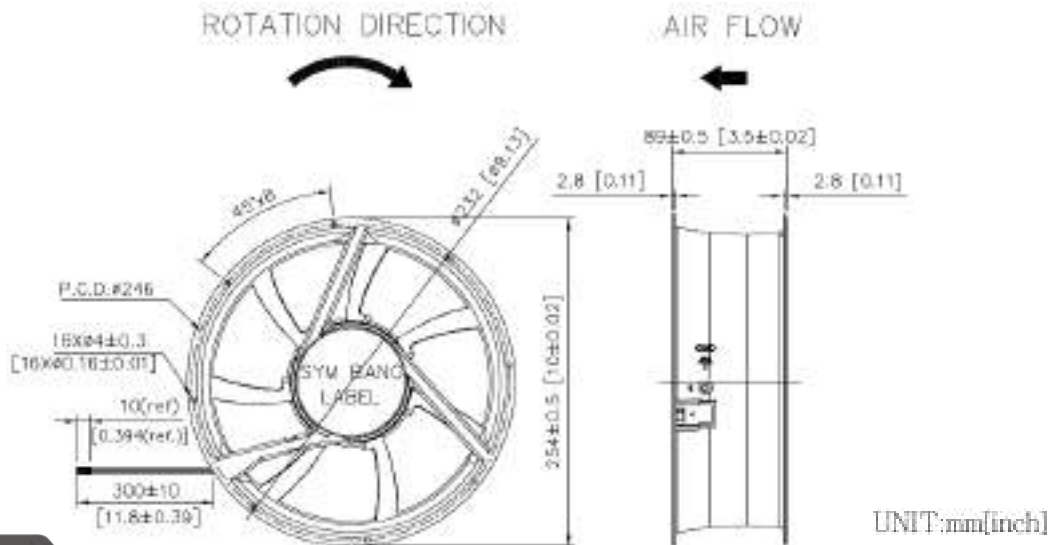


**D****25089-K**

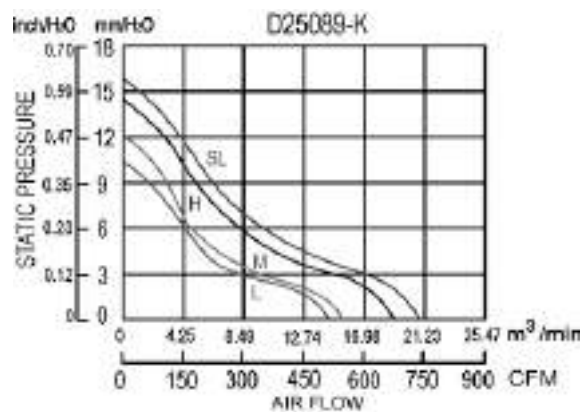
Ø254X89mm(Ø10"x3.50")

**CE**

HOUSING Aluminum Die Casting, Painted Black  
 IMPELLER Thermoplastic PBT, UL94V-0  
 BEARING Ball  
 OPERATING TEMPERATURE -10°C to + 60°C  
 DIELECTRIC STRENGTH 5mA Max. at 500 VAC for 1 minute  
 INSULATION RESISTANCE 10M Ω min. @500 VDC  
 WEIGHT 2.2 kg  
 ROHS COMPLIANCE Yes  
 IP LEVEL IP21 (Special IP Rating On Request)

**254** mm**DIMENSION****SPECIFICATION**

MODEL NO.	RATED VOLTAGE (V)	RATED CURRENT (A)	INPUT POWER (W)	SPEED (RPM)	MAX. AIR PRESSURE		MAX. AIR FLOW		NOISE dB(A) @1M
					inch/H2O	mm/H2O	CFM	m3/min	
D25089V24HB-K	24	2.20	52.80	2000	0.56	14.32	684	19.37	63.3
D25089V24MB-K	24	1.30	31.20	1700	0.49	12.45	595	16.85	59.1
D25089V24LB-K	24	0.80	19.20	1400	0.42	10.59	506	14.33	52.2
D25089V48SLB-K	48	2.10	100.80	2300	0.63	15.97	747	21.16	71.2
D25089V48HB-K	48	1.00	48.00	2000	0.56	14.32	684	19.37	63.3
D25089V48MB-K	48	0.63	30.24	1700	0.49	12.45	595	16.85	59.1

**AIR PERFORMANCE**

**D**

# 28080M-DA

280X280X80mm  
(11.02"x11.02"x3.15")

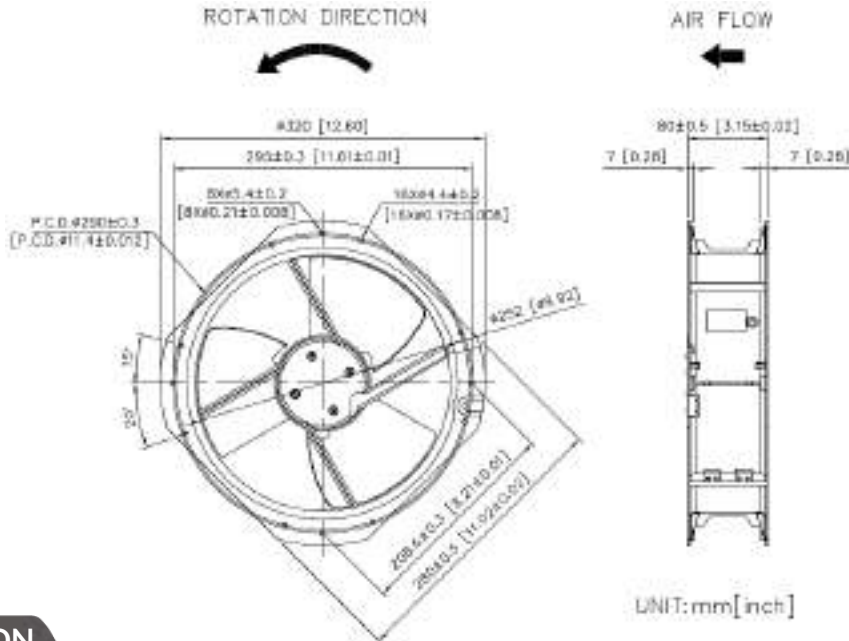
CE



HOUSING	Aluminum Die Casting
IMPELLER	Metal
BEARING	Ball
OPERATING TEMPERATURE	-10°C to + 70°C
DIELECTRIC STRENGTH	5mA Max. at 500 VAC for 1 minute
INSULATION RESISTANCE	10M $\Omega$ min. @500 VDC
WEIGHT	3.05 kg
ROHS COMPLIANCE	Yes
IP LEVEL	IP54 (Special IP Rating On Request)

# 280mm

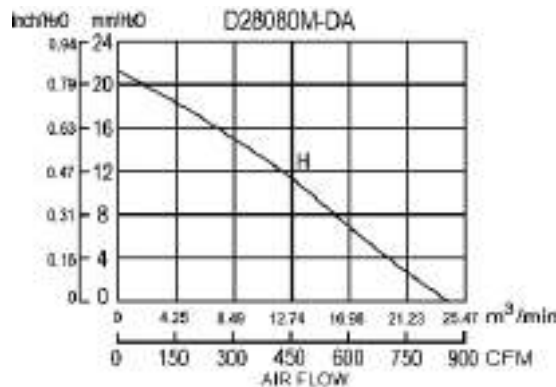
## DIMENSION



## SPECIFICATION

MODEL NO.	RATED VOLTAGE (V)	RATED CURRENT (A)	INPUT POWER (W)	SPEED (RPM)	MAX. AIR PRESSURE		MAX. AIR FLOW		NOISE dB(A) @1M
					inch/H <sub>2</sub> O	mm/H <sub>2</sub> O	CFM	m <sup>3</sup> /min	
D28080V24HBM-DA	24	3	72	2300	0.84	21.5	860	24.33	65
D28080V48HBM-DA	48	1.2	72	2300	0.84	21.5	860	24.33	65

## AIR PERFORMANCE



**D**

# 28080M-P

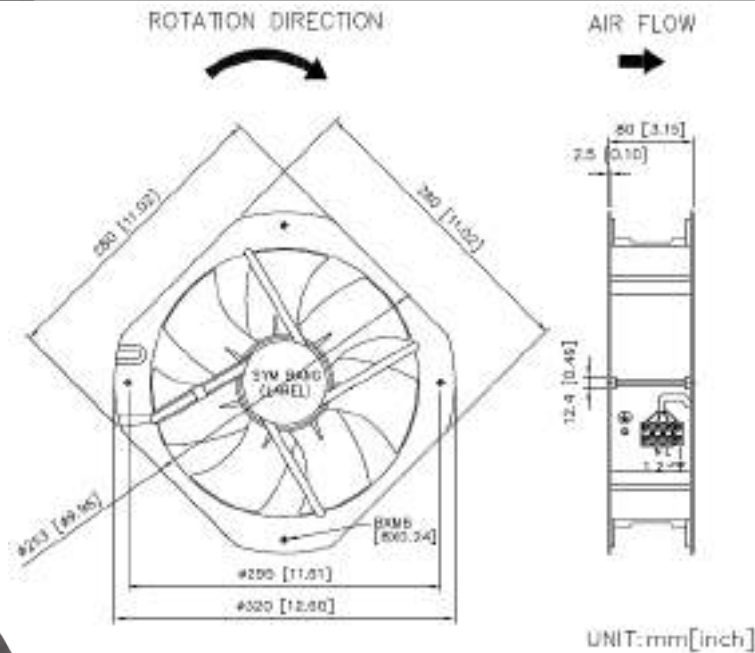

  
 280X280X80mm(11.02"x11.02"x3.15")


HOUSING	Aluminum Die Casting
IMPELLER	Metal
BEARING	Ball
MOTOR TYPE	Outer Rotor, Single Phase Motor
OPERATING TEMPERATURE	-10°C to + 60°C
DIELECTRIC STRENGTH	5mA Max. at 500 VAC for 1 minute
INSULATION RESISTANCE	10M $\Omega$ min. @500 VDC
WEIGHT	2.5 kg
ROHS COMPLIANCE	Yes
IP LEVEL	IP21 (Special IP Rating On Request)

# 280

 mm

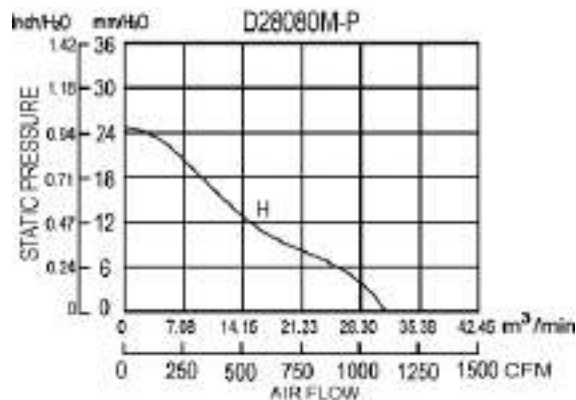
## DIMENSION



## SPECIFICATION

MODEL NO.	RATED VOLTAGE (V)	RATED CURRENT (A)	INPUT POWER (W)	SPEED (RPM)	MAX. AIR PRESSURE		MAX. AIR FLOW		NOISE dB(A) @1M
					inch/H <sub>2</sub> O	mm/H <sub>2</sub> O	CFM	m <sup>3</sup> /min	
D28080V24HBM-P	24	5.0	120.0	2750	1	25.3	1110	31.41	68
D28080V48HBM-P	48	2.6	124.8	2750	1	25.3	1110	31.41	68

## AIR PERFORMANCE



# D 28080M-PB

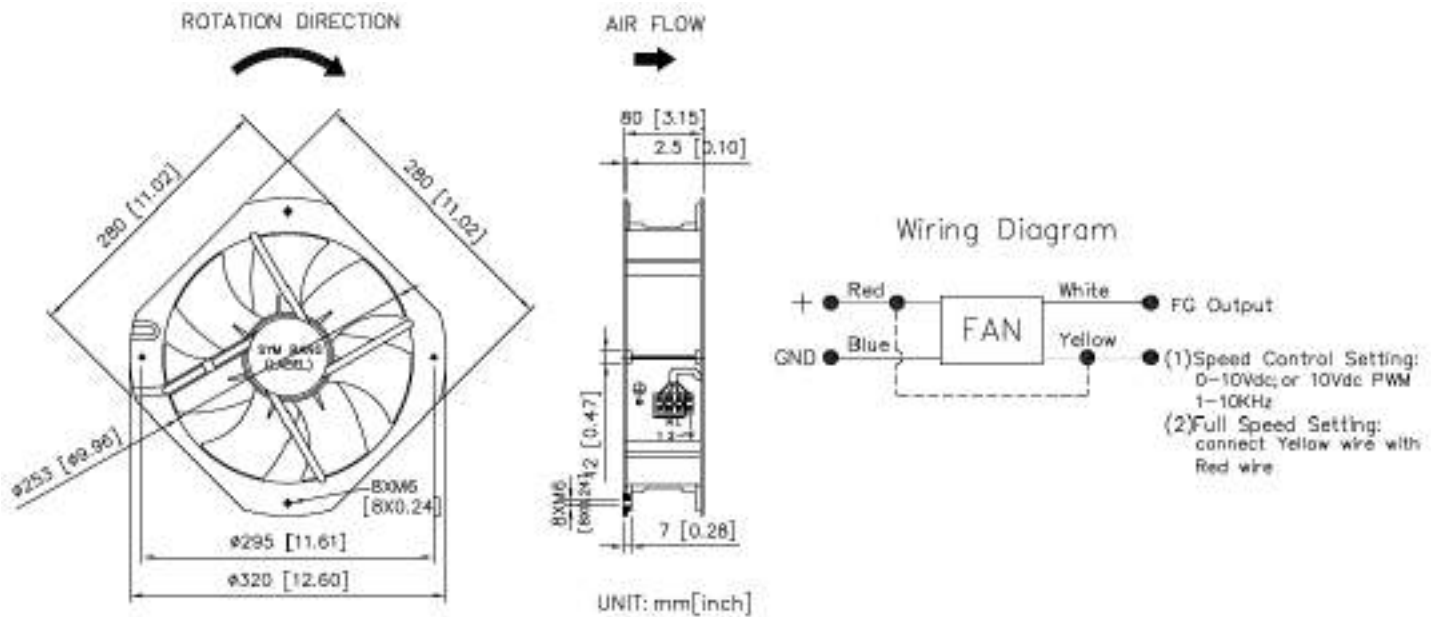
280X280X80mm  
(11.02"x11.02"x3.15")



HOUSING	Aluminum Die Casting
IMPELLER	Metal
BEARING	Ball
MOTOR TYPE	Outer Roter, Three Phase Motor
OPERATING TEMPERATURE	-10°C to + 60°C
DIELECTRIC STRENGTH	5mA Max. at 500 VAC for 1 minute
INSULATION RESISTANCE	10M $\Omega$ min. @500 VDC
WEIGHT	2.5 kg
ROHS COMPLIANCE	Yes
IP LEVEL	IP21 (Special IP Rating On Request)

# 280mm

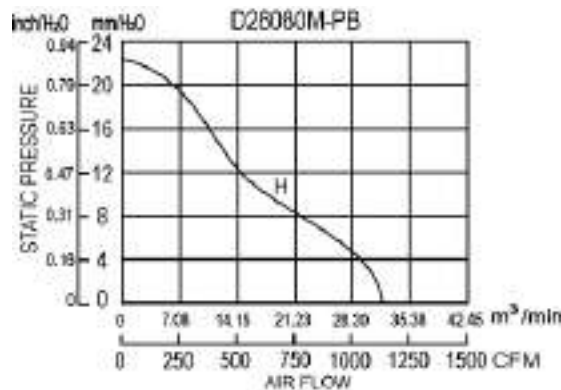
## DIMENSION



## SPECIFICATION

MODEL NO.	RATED VOLTAGE (V)	RATED CURRENT (A)	INPUT POWER (W)	SPEED (RPM)	MAX. AIR PRESSURE		MAX. AIR FLOW		NOISE dB(A) @1M
					inch/H <sub>2</sub> O	mm/H <sub>2</sub> O	CFM	m <sup>3</sup> /min	
D28080V24HBM-PB	24	4.4	105.6	2750	0.88	22.4	1118	31.6	69
D28080V48HBM-PB	48	2.2	105.6	2750	0.88	22.4	1118	31.6	69

## AIR PERFORMANCE



# DB 1504

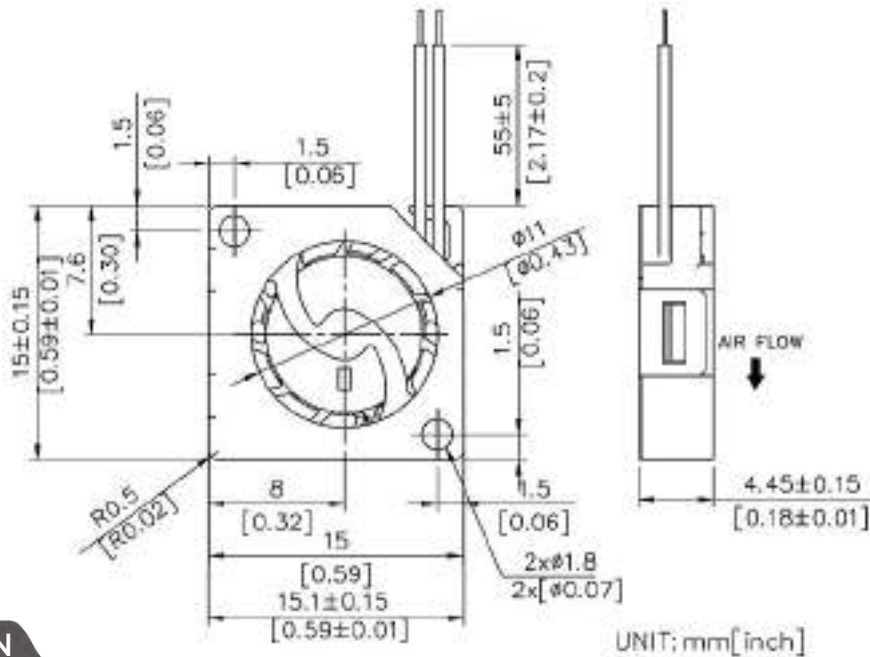
15X15X4mm(0.58"x0.58"x0.15")



HOUSING Liquid Crystalline Polymer, UL94V-0  
 IMPELLER Liquid Crystalline Polymer, UL94V-0  
 BEARING Sleeve  
 OPERATING TEMPERATURE -10°C to + 60°C  
 DIELECTRIC STRENGTH 5mA Max. at 500 VAC for 1 minute  
 INSULATION RESISTANCE 10M Ω min. @500 VDC  
 WEIGHT 1.5 g  
 ROHS COMPLIANCE Yes  
 APPLICATION Wearable dynamic air quality sampling applications, auxiliary temperature control application, and mini projector.  
 IP LEVEL IP21 (Special IP Rating On Request)

# 15 mm

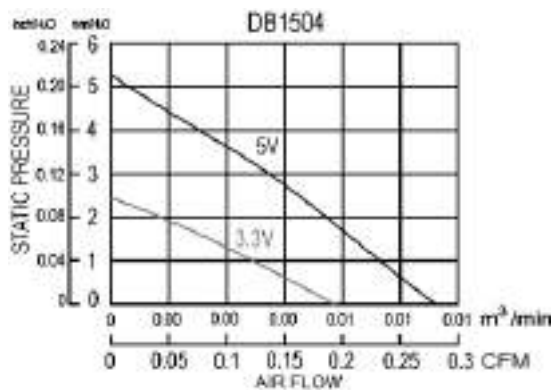
## DIMENSION



## SPECIFICATION

MODEL NO.	RATED VOLTAGE (V)	RATED CURRENT (A)	INPUT POWER (W)	SPEED (RPM)	MAX. AIR PRESSURE		MAX. AIR FLOW		NOISE dB(A) @1M
					inch/H <sub>2</sub> O	mm/H <sub>2</sub> O	CFM	m <sup>3</sup> /min	
DB1504V3HS	3.3	0.042	0.139	14500	0.097	2.47	0.19	0.005	-
DB1504V5HS	5	0.062	0.310	20000	0.205	5.20	0.28	0.008	-

## AIR PERFORMANCE



# DB 1804

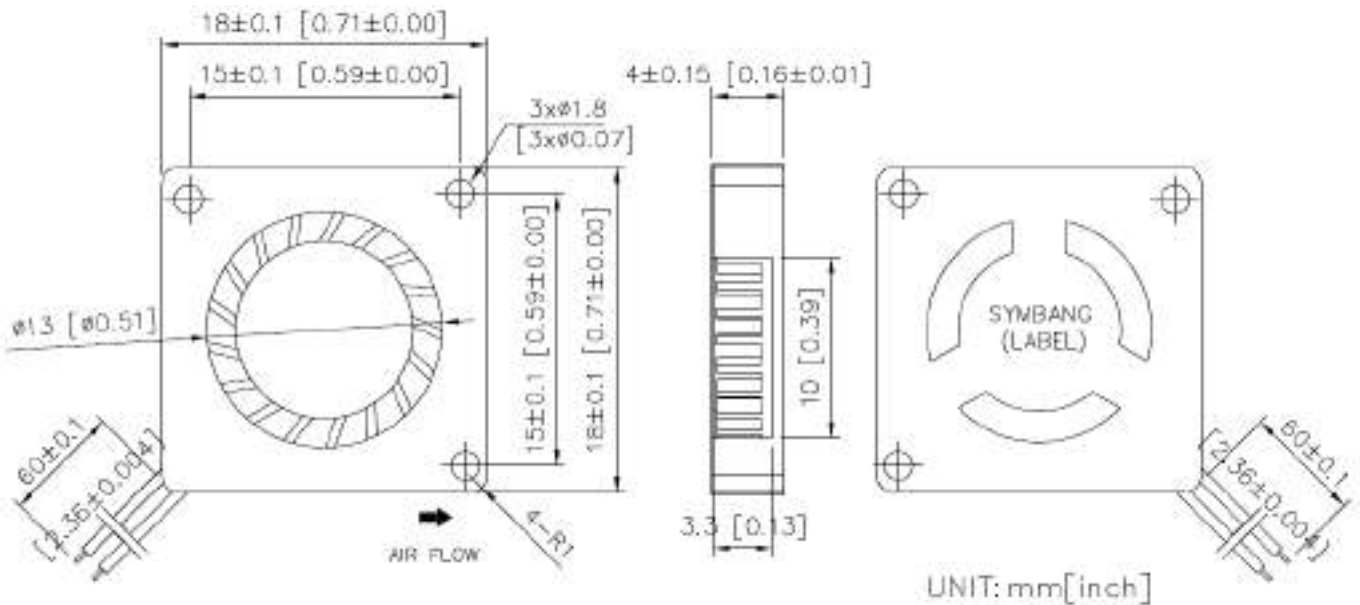
18X18X4mm(0.71"x0.71"x0.16")



HOUSING Liquid Crystalline Polymer, UL94V-0  
 IMPELLER Liquid Crystalline Polymer, UL94V-0  
 BEARING Sleeve  
 OPERATING TEMPERATURE -10°C to + 60°C  
 DIELECTRIC STRENGTH 5mA Max. at 500 VAC for 1 minute  
 INSULATION RESISTANCE 10M  $\Omega$  min. @500 VDC  
 WEIGHT 1.7 g  
 ROHS COMPLIANCE Yes  
 APPLICATIONS Video processing chipset, high-speed memory module, high-end smart phone,PDA, CCTV, mini projector, MID, smartbook and so on  
 IP LEVEL IP21 (Special IP Rating On Request)

# 18mm

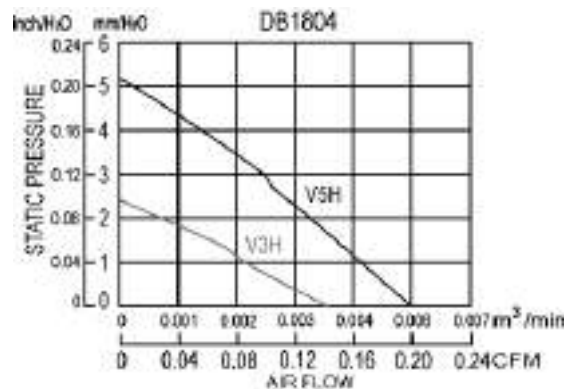
## DIMENSION



## SPECIFICATION

MODEL NO.	RATED VOLTAGE (V)	RATED CURRENT (A)	INPUT POWER (W)	SPEED (RPM)	MAX. AIR PRESSURE		MAX. AIR FLOW		NOISE dB(A) @1M
					inch/H <sub>2</sub> O	mm/H <sub>2</sub> O	CFM	m <sup>3</sup> /min	
DB1804V3HS	3.3	0.030	0.099	7000	0.096	2.44	0.14	0.003	25
DB1804V5HS	5	0.045	0.225	11000	0.203	5.16	0.20	0.0051	35

## AIR PERFORMANCE



# DB 2004

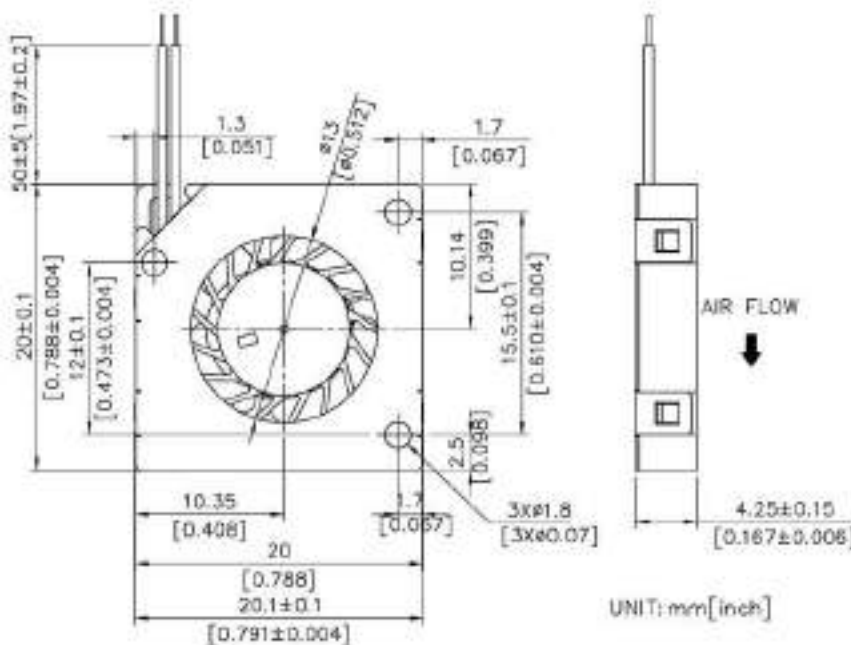
20X20X4mm(0.78"x0.78"x0.15")



HOUSING Liquid Crystalline Polymer, UL94V-0  
 IMPELLER Liquid Crystalline Polymer, UL94V-0  
 BEARING Sleeve  
 OPERATING TEMPERATURE -10°C to + 60°C  
 DIELECTRIC STRENGTH 5mA Max. at 500 VAC for 1 minute  
 INSULATION RESISTANCE 10M Ω min. @500 VDC  
 WEIGHT 1.35 g  
 ROHS COMPLIANCE Yes  
 APPLICATION Wearable dynamic air quality sampling applications, auxiliary temperature control application, and mini projector.  
 IP LEVEL IP21 (Special IP Rating On Request)

# 20mm

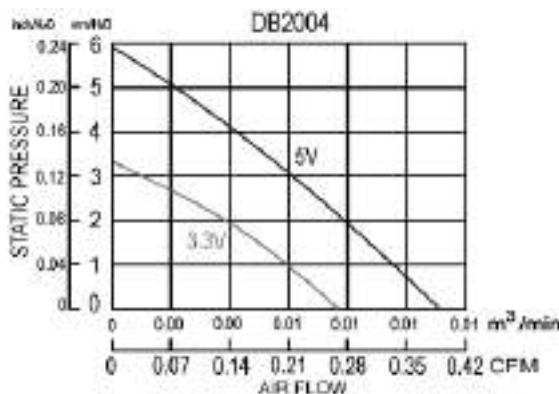
## DIMENSION



## SPECIFICATION

MODEL NO.	RATED VOLTAGE (V)	RATED CURRENT (A)	INPUT POWER (W)	SPEED (RPM)	MAX. AIR PRESSURE		MAX. AIR FLOW		NOISE dB(A) @1M
					inch/H2O	mm/H2O	CFM	m3/min	
DB2004V3HS	3.3	0.044	0.145	9000	0.126	3.21	0.271	0.008	-
DB2004V5HS	5	0.068	0.340	11500	0.235	5.96	0.383	0.011	-

## AIR PERFORMANCE





# DB 2008

20X20X8.5mm(0.78"x0.78"x0.31")



HOUSING  
IMPELLER  
BEARING  
OPERATING TEMPERATURE  
DIELECTRIC STRENGTH  
INSULATION RESISTANCE  
WEIGHT  
ROHS COMPLIANCE  
APPLICATIONS

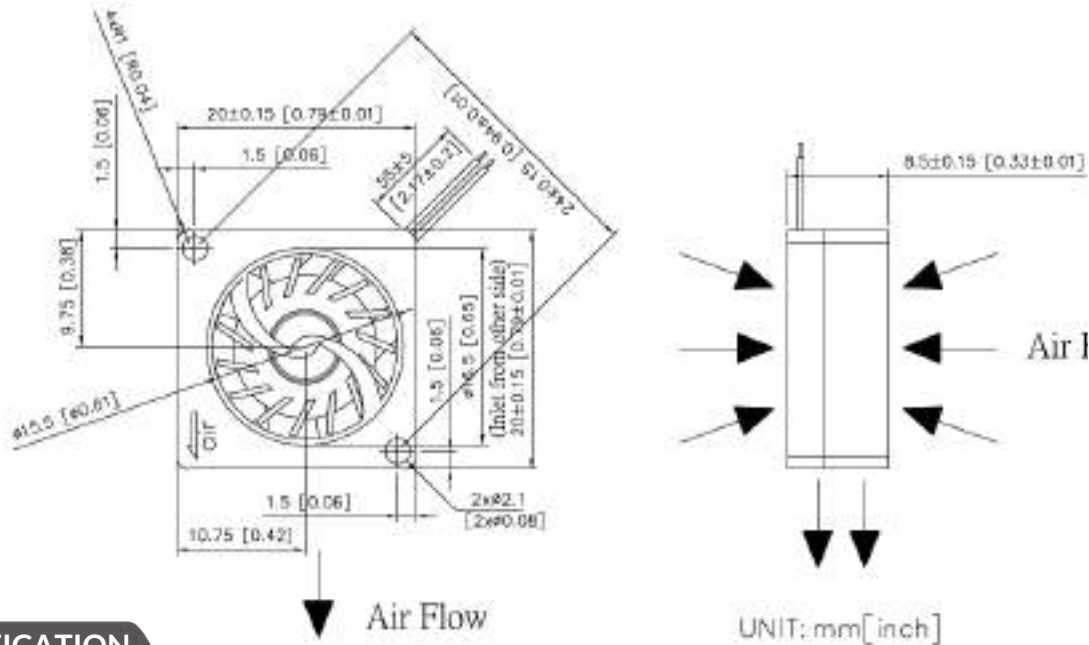
Thermoplastic PBT, UL94V-0  
Thermoplastic PBT, UL94V-0  
Sleeve  
-10°C to + 60°C  
5mA Max. at 500 VAC for 1 minute  
10M  $\Omega$  min. @500 VDC  
2.9 g  
Yes

For pocket Projector, MID, UMPC, Smartbook, CCTV,  
Portable GPS, Micro Fuel Cell, Portable Gas/  
Particulate Detector, Portable Plasma Generator,  
Mask/ Goggle/Helmet/ Ventilation and Defrosting  
IP21 (Special IP Rating On Request)

IP LEVEL

# 20mm

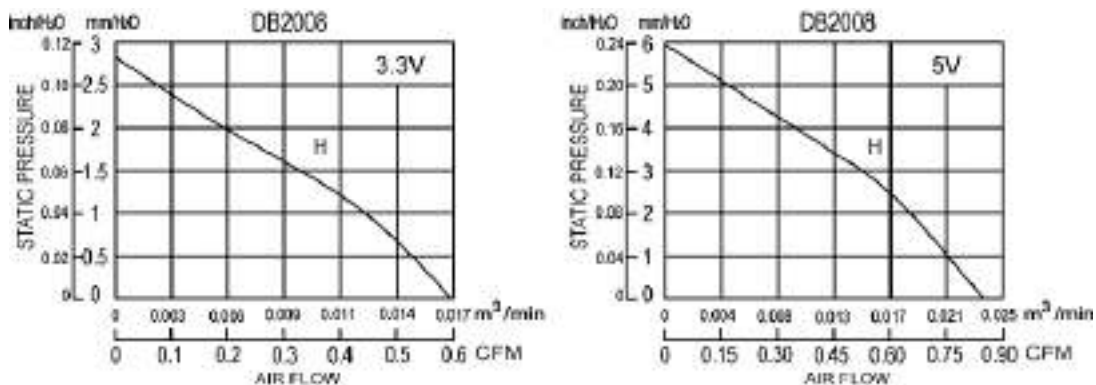
## DIMENSION



## SPECIFICATION

MODEL NO.	RATED VOLTAGE (V)	RATED CURRENT (A)	INPUT POWER (W)	SPEED (RPM)	MAX. AIR PRESSURE		MAX. AIR FLOW		NOISE dB(A) @1M
					inch/H2O	mm/H2O	CFM	m3/min	
DB2008V3HS	3.3	0.095	0.099	9500	0.10	2.79	0.592	0.016	12
DB2008V5HS	5	0.130	0.225	14000	0.24	5.97	0.844	0.023	18

## AIR PERFORMANCE



# DB 2608

26X20X8mm(1.02"x0.78"x0.31")



HOUSING  
IMPELLER  
BEARING  
OPERATING TEMPERATURE  
DIELECTRIC STRENGTH  
INSULATION RESISTANCE  
WEIGHT  
ROHS COMPLIANCE  
APPLICATIONS

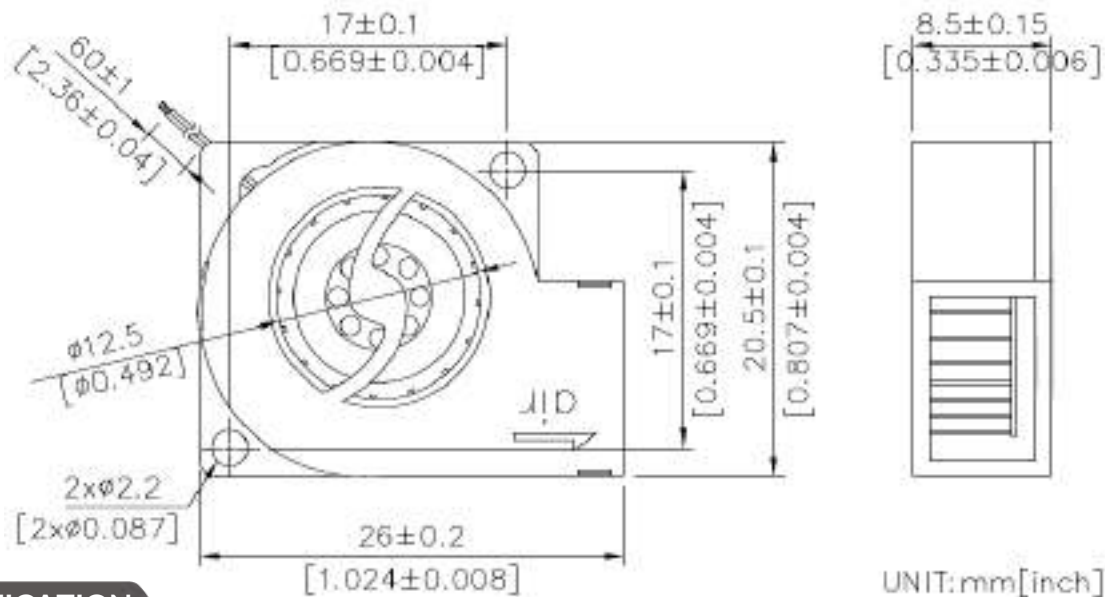
Thermoplastic PBT+30% Fiber Glass UL94V-0  
Thermoplastic PBT+30% Fiber Glass UL94V-0  
Sleeve  
-10°C to + 60°C  
5mA Max. at 500 VAC for 1 minute  
10M  $\Omega$  min. @500 VDC

3 g  
Yes  
For Pocket Projector, MID, UMPC, Smartbook,  
CCTV, Portable GPS, Micro Fuel Cell, portable Gas  
Particulate Detector, Potable Plasma Generator,  
Mask/Goggle/Helmet/Ventilation and Defrosting  
IP57 (Special IP Rating On Request)

IP LEVEL

# 26 mm

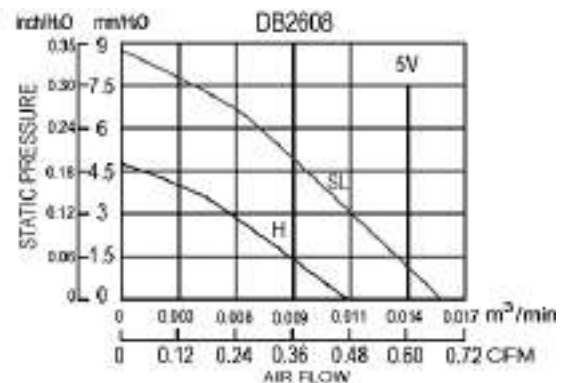
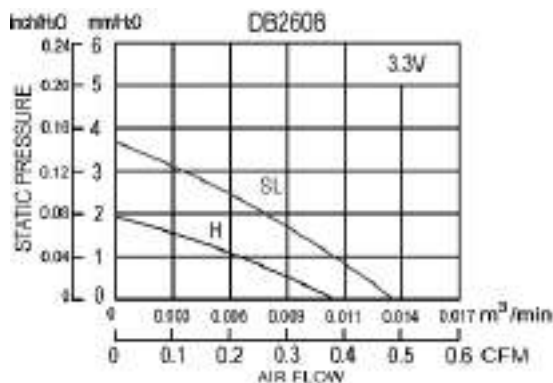
## DIMENSION



## SPECIFICATION

MODEL NO.	RATED VOLTAGE (V)	RATED CURRENT (A)	INPUT POWER (W)	SPEED (RPM)	MAX. AIR PRESSURE		MAX. AIR FLOW		NOISE dB(A)@1M
					inch/H <sub>2</sub> O	mm/H <sub>2</sub> O	CFM	m <sup>3</sup> /min	
DB2608V3SLS	3.3	0.100	0.330	8000	0.145	3.70	0.48	0.014	15
DB2608V3HS	3.3	0.045	0.149	6000	0.076	1.92	0.37	0.010	12
DB2608V5SLS	5	0.140	0.700	11000	0.340	8.70	0.67	0.018	23
DB2608V5HS	5	0.065	0.325	8000	0.186	4.73	0.47	0.013	18

## AIR PERFORMANCE



# DB2617

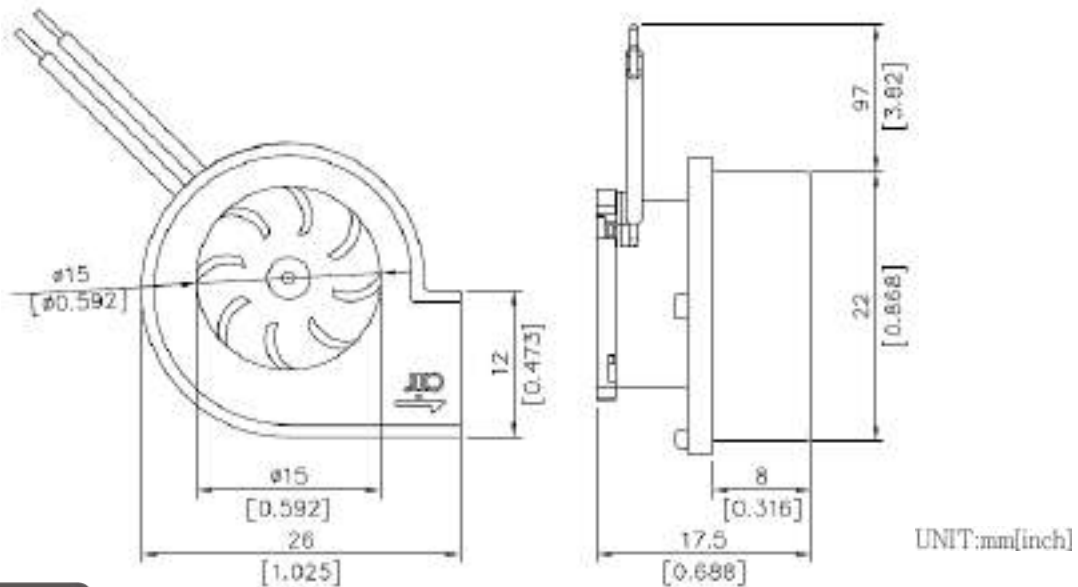
26X22X17mm(1.02"x1.02"x0.66")



HOUSING Thermoplastic PBT+30% Fiber Glass UL94V-0  
 IMPELLER Thermoplastic PBT+30% Fiber Glass UL94V-0  
 BEARING Sleeve  
 OPERATING TEMPERATURE -10°C to + 60°C  
 DIELECTRIC STRENGTH 5mA Max. at 500 VAC for 1 minute  
 INSULATION RESISTANCE 10M  $\Omega$  min. @500 VDC  
 WEIGHT 7.5 g  
 ROHS COMPLIANCE Yes  
 APPLICATIONS For high-speed memory module, CCTV, security surveillance system, LED lighting and small projector  
 IP LEVEL IP21 (Special IP Rating On Request)

# 26mm

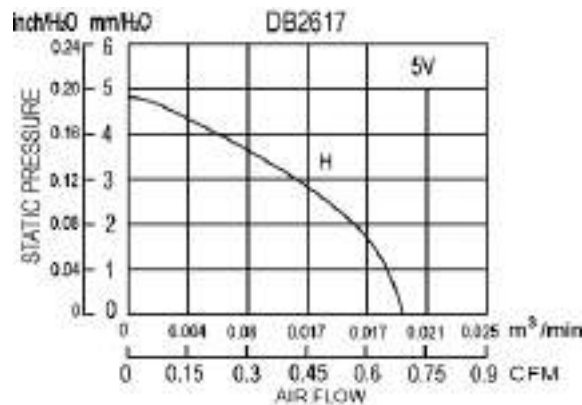
## DIMENSION



## SPECIFICATION

MODEL NO.	RATED VOLTAGE (V)	RATED CURRENT (A)	INPUT POWER (W)	SPEED (RPM)	MAX. AIR PRESSURE inch/H <sub>2</sub> O mm/H <sub>2</sub> O	MAX. AIR FLOW CFM m <sup>3</sup> /min	NOISE dB(A) @1M
DB2617V5HS	5	0.08	0.4	10000	0.189 4.8	0.7 0.019	40

## AIR PERFORMANCE



# DB 2635

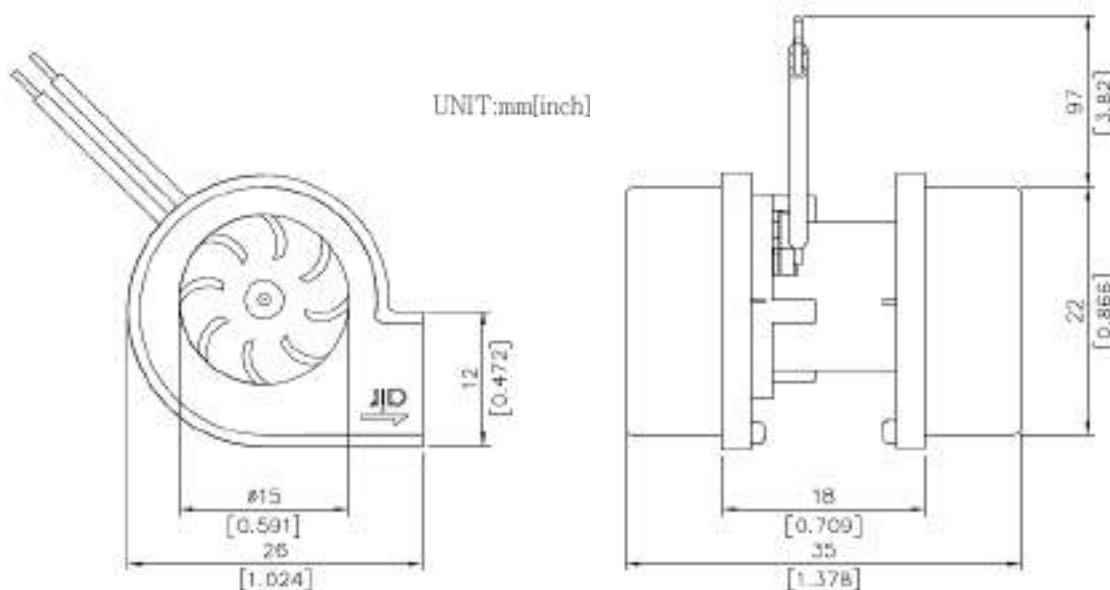
26X22X35mm(1.02"x1.02"x1.37")



HOUSING Thermoplastic PBT+30% Fiber Glass UL94V-0  
 IMPELLER Thermoplastic PBT+30% Fiber Glass UL94V-0  
 BEARING Sleeve  
 OPERATING TEMPERATURE -10°C to + 60°C  
 DIELECTRIC STRENGTH 5mA Max. at 500 VAC for 1 minute  
 INSULATION RESISTANCE 10M  $\Omega$  min. @500 VDC  
 WEIGHT 12 g  
 ROHS COMPLIANCE Yes  
 APPLICATION For high-speed memory module, CCTV, security surveillance system, LED lighting and small projector  
 IP LEVEL IP21 (Special IP Rating On Request)

# 26mm

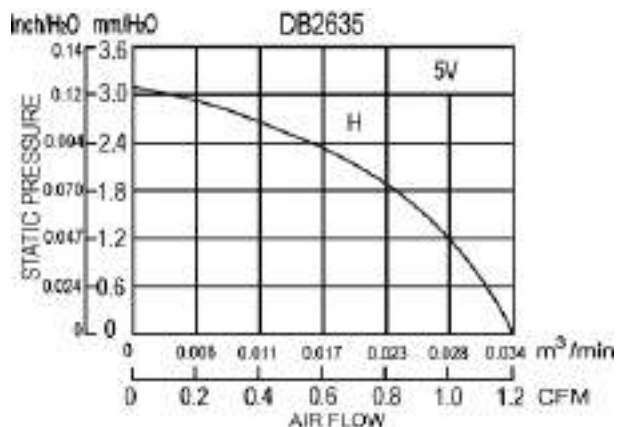
## DIMENSION



## SPECIFICATION

MODEL NO.	RATED VOLTAGE (V)	RATED CURRENT (A)	INPUT POWER (W)	SPEED (RPM)	MAX. AIR PRESSURE inch/H <sub>2</sub> O mm/H <sub>2</sub> O	MAX. AIR FLOW CFM m <sup>3</sup> /min	NOISE dB(A) @1M
DB2635V5HS	5	0.08	0.4	8500	0.122 3.1	1.2 0.034	40

## AIR PERFORMANCE



# DB3004

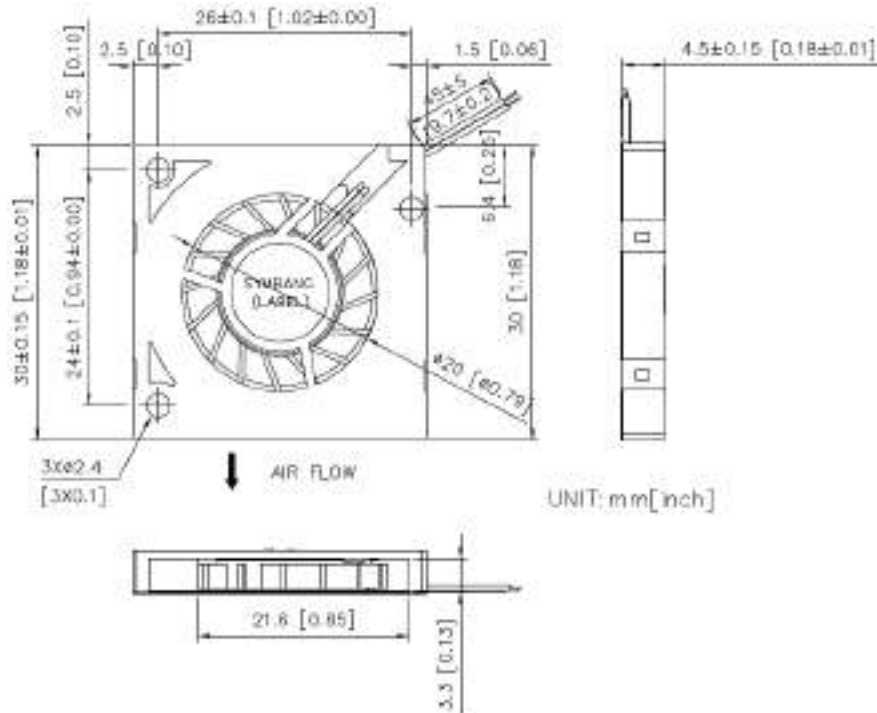
30X30X4.5mm(1.18"x1.18"x0.18")



HOUSING L.C.P +30% Fiber Glass UL94V-0  
 IMPELLER P.P.A+30% Fiber Glass UL94V-0  
 COVER SUS 301  
 BEARING Sleeve  
 OPERATING TEMPERATURE -10°C to + 60°C  
 DIELECTRIC STRENGTH 5mA Max. at 500 VAC for 1 minute  
 INSULATION RESISTANCE 10M  $\Omega$  min. @500 VDC  
 WEIGHT 4.6 g  
 ROHS COMPLIANCE Yes  
 APPLICATION For MID, Ultra-thin Notebook  
 IP LEVEL IP58 (Special IP Rating On Request)

# 30mm

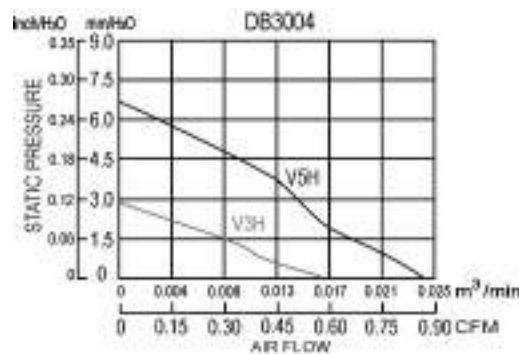
## DIMENSION



## SPECIFICATION

MODEL NO.	RATED VOLTAGE (V)	RATED CURRENT (A)	INPUT POWER (W)	SPEED (RPM)	MAX. AIR PRESSURE		MAX. AIR FLOW		NOISE dB(A) @1M
					inch/H2O	mm/H2O	CFM	m3/min	
DB3004V3HS	3.3	0.040	0.132	6000	0.146	3.71	0.57	0.016	17.2
DB3004V5HS	5	0.057	0.285	8500	0.295	7.48	0.79	0.022	25.7

## AIR PERFORMANCE



# DB3507-TK

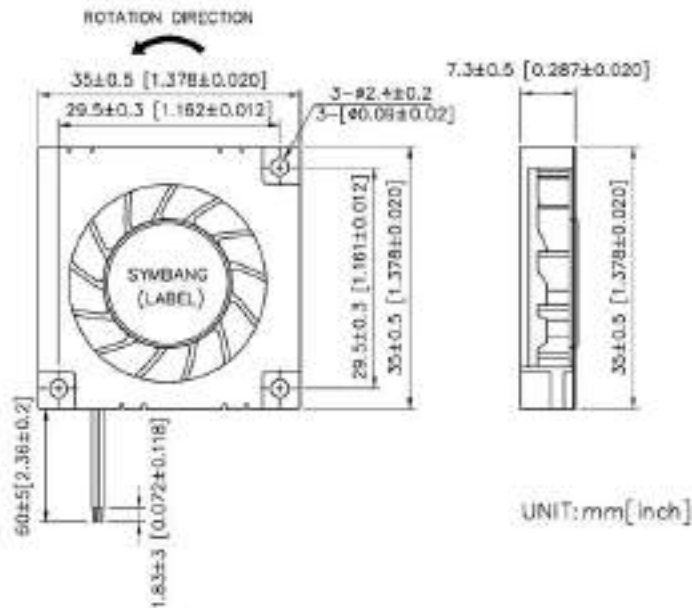
35X35X7mm(1.38"x1.38"x0.30")



- HOUSING Fiber Glass UL94V-0  
Cover is stainless steel
- IMPELLER Fiber Glass UL94V-0
- BEARING Sleeve
- OPERATING TEMPERATURE -10°C to + 60°C
- DIELECTRIC STRENGTH 5mA Max. at 500 VAC for 1 second
- INSULATION RESISTANCE 10M  $\Omega$  min. @500 VDC
- WEIGHT 8.5g
- ROHS COMPLIANCE Yes
- IP LEVEL IP21 (Special IP Rating On Request)

# 35 mm

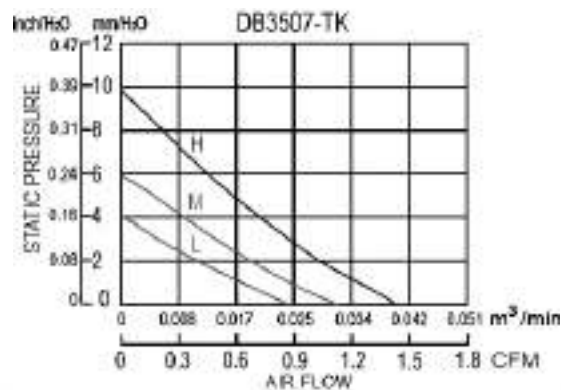
## DIMENSION



## SPECIFICATION

MODEL NO.	RATED VOLTAGE (V)	RATED CURRENT (A)	INPUT POWER (W)	SPEED (RPM)	MAX. AIR PRESSURE		MAX. AIR FLOW		NOISE dB(A) @1M
					inch/H2O	mm/H2O	CFM	m3/min	
DB3507V5H-TK	5	0.180	0.90	7500	0.387	9.84	1.39	0.039	32.3
DB3507V5M-TK	5	0.120	0.60	6000	0.233	5.92	1.11	0.031	27.5
DB3507V5L-TK	5	0.080	0.40	5000	0.161	4.08	0.84	0.024	23.9
DB3507V12H-TK	12	0.075	0.90	7500	0.387	9.84	1.39	0.039	32.3
DB3507V12M-TK	12	0.050	0.60	6000	0.233	5.92	1.11	0.031	27.5
DB3507V12L-TK	12	0.033	0.40	5000	0.161	4.08	0.84	0.024	23.9

## AIR PERFORMANCE



# DB3510-TK

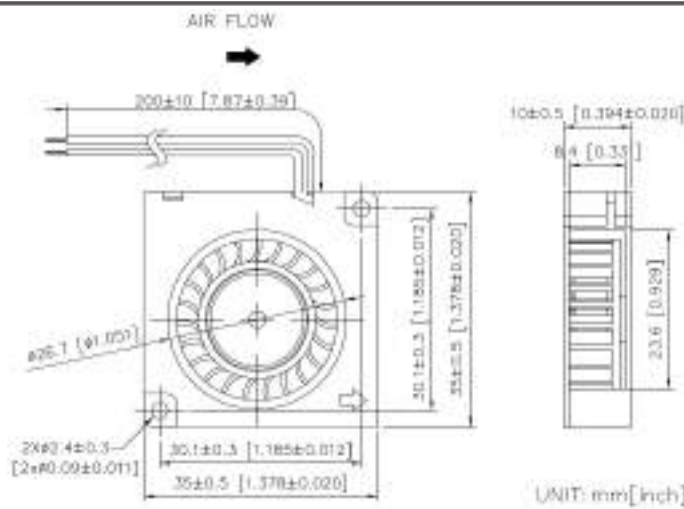
35x35x10mm(1.38"x1.38"x0.39")



HOUSING Thermoplastic PBT, UL94V-0  
 IMPELLER Thermoplastic PBT, UL94V-0  
 BEARING Ball or Sleeve  
 OPERATING TEMPERATURE -10°C to + 70°C  
 DIELECTRIC STRENGTH 5mA Max. at 500 VAC for 1 minute  
 INSULATION RESISTANCE 10M  $\Omega$  min. @500 VDC  
 WEIGHT 8.5 g  
 ROHS COMPLIANCE Yes  
 IP LEVEL IP21 (Special IP Rating On Request)

# 35 mm

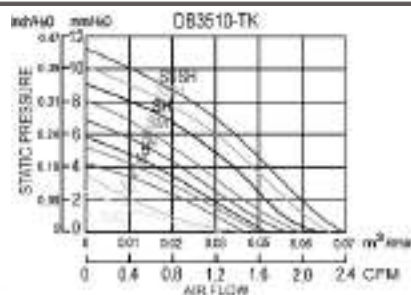
## DIMENSION



## SPECIFICATION

MODEL NO.	RATED VOLTAGE (V)	RATED CURRENT (A)	INPUT POWER (W)	SPEED (RPM)	MAX. AIR PRESSURE		MAX. AIR FLOW		NOISE dB(A) @1M
					inch/H2O	mm/H2O	CFM	m3/min	
DB3510V5SSH-TK	5	0.28	1.40	10000	0.456	11.58	2.38	0.067	40.0
DB3510V5SSH-TK	5	0.25	1.25	9500	0.401	10.18	2.27	0.064	39.1
DB3510V5SH-TK	5	0.22	1.10	9000	0.358	9.10	2.14	0.061	37.4
DB3510V5SM-TK	5	0.20	1.00	8500	0.317	8.05	1.98	0.056	36.1
DB3510V5SL-TK	5	0.18	0.90	8000	0.272	6.92	1.86	0.053	34.9
DB3510V5H-TK	5	0.16	0.80	7500	0.231	5.87	1.67	0.047	33.5
DB3510V5M-TK	5	0.14	0.70	7000	0.205	5.20	1.60	0.045	31.6
DB3510V5L-TK	5	0.13	0.65	6500	0.167	4.25	1.45	0.041	29.6
DB3510V5XL-TK	5	0.12	0.60	6000	0.143	3.62	1.42	0.040	27.5
DB3510V5XXL-TK	5	0.10	0.50	5500	0.105	2.67	1.25	0.035	25.7
DB3510V12SSH-TK	12	0.12	1.40	10000	0.456	11.58	2.38	0.067	40.0
DB3510V12SSH-TK	12	0.10	1.25	9500	0.401	10.18	2.27	0.064	39.1
DB3510V12SH-TK	12	0.09	1.10	9000	0.358	9.10	2.14	0.061	37.4
DB3510V12SM-TK	12	0.08	1.00	8500	0.317	8.05	1.98	0.056	36.1
DB3510V12SL-TK	12	0.08	0.90	8000	0.272	6.92	1.86	0.053	34.9
DB3510V12H-TK	12	0.07	0.80	7500	0.231	5.87	1.67	0.047	33.5
DB3510V12M-TK	12	0.06	0.70	7000	0.205	5.20	1.60	0.045	31.6
DB3510V12L-TK	12	0.05	0.65	6500	0.167	4.25	1.45	0.041	29.6
DB3510V12XL-TK	12	0.05	0.60	6000	0.143	3.62	1.42	0.040	27.5
DB3510V12XXL-TK	12	0.04	0.50	5500	0.105	2.67	1.25	0.035	25.4

## AIR PERFORMANCE



# DB 5015-C

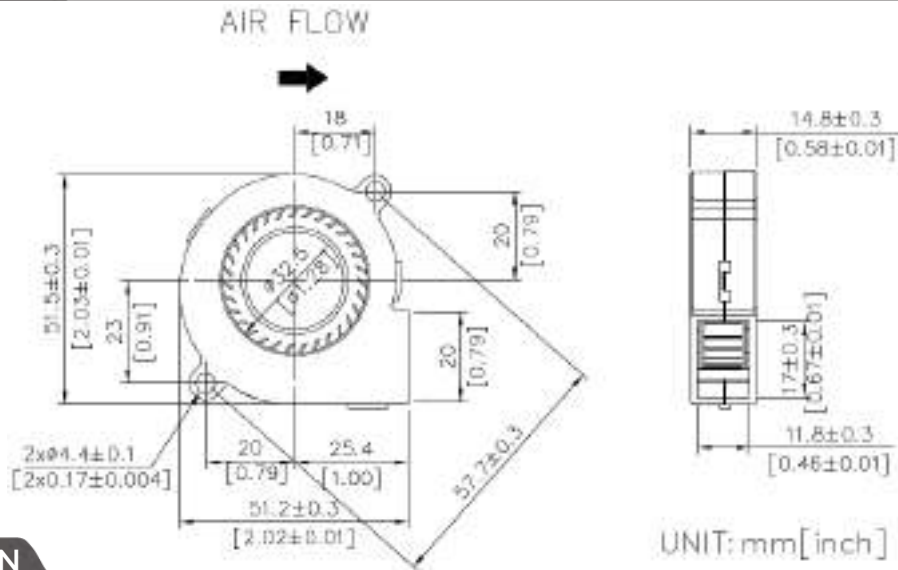
51X51X15mm(2.0"x2.0"x0.59")



HOUSING Thermoplastic PBT, UL94V-0  
 IMPELLER Thermoplastic PBT, UL94V-0  
 BEARING Ball or Sleeve  
 OPERATING TEMPERATURE -10°C to + 70°C  
 DIELECTRIC STRENGTH 5mA Max. at 500 VAC for 1 minute  
 INSULATION RESISTANCE 10M  $\Omega$  min. @500 VDC  
 WEIGHT 28 g  
 ROHS COMPLIANCE Yes  
 IP LEVEL IP21 (Special IP Rating On Request)

# 51 mm

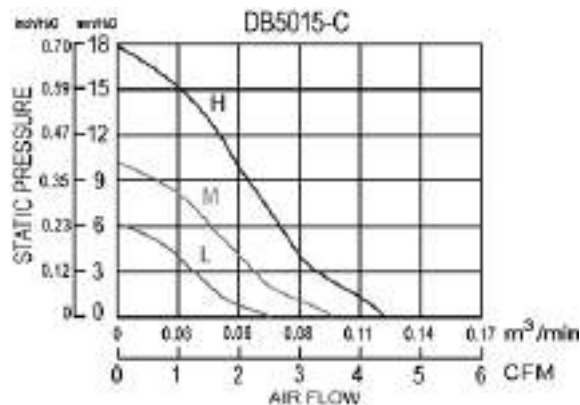
## DIMENSION



## SPECIFICATION

MODEL NO.	RATED VOLTAGE (V)	RATED CURRENT (A)	INPUT POWER (W)	SPEED (RPM)	MAX. AIR PRESSURE		MAX. AIR FLOW		NOISE dB(A) @1M
					inch/H <sub>2</sub> O	mm/H <sub>2</sub> O	CFM	m <sup>3</sup> /min	
DB5015V5H-C	5	0.28	1.4	5000	0.7	17.78	4.4	0.12	38
DB5015V5M-C	5	0.18	0.9	4000	0.4	10.16	3.5	0.1	32
DB5015V5L-C	5	0.1	0.5	3000	0.24	6.09	2.5	0.07	25
DB5015V12H-C	12	0.14	1.68	5000	0.7	17.78	4.4	0.12	38
DB5015V12M-C	12	0.09	1.08	4000	0.4	10.16	3.5	0.1	32
DB5015V12L-C	12	0.06	0.72	3000	0.24	6.09	2.5	0.07	25

## AIR PERFORMANCE





# DB5025-YH

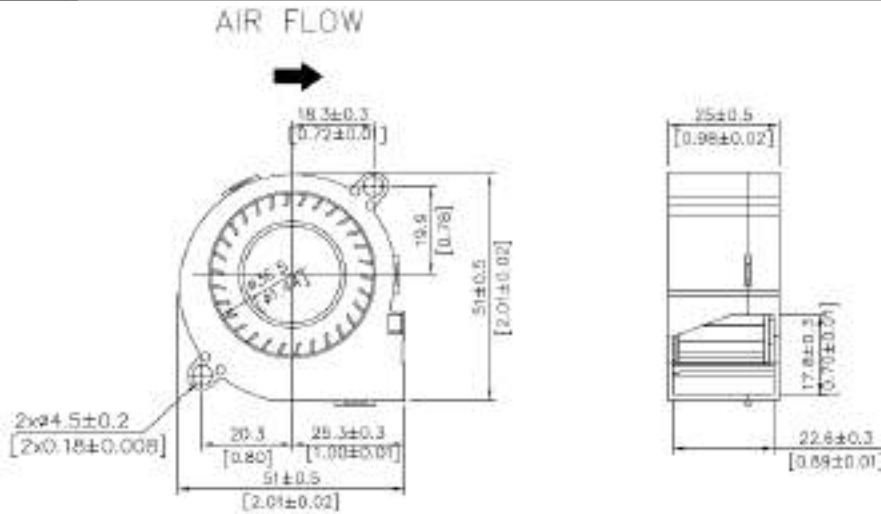
51X51X25mm(2.00"x2.00"x0.98")



HOUSING	Thermoplastic PBT, UL94V-0
IMPELLER	Thermoplastic PBT, UL94V-0
BEARING	Ball or Sleeve
OPERATING TEMPERATURE	-10°C to + 70°C
DIELECTRIC STRENGTH	5mA Max. at 500 VAC for 1 minute
INSULATION RESISTANCE	10M $\Omega$ min. @500 VDC
WEIGHT	26.3 g
ROHS COMPLIANCE	Yes
IP LEVEL	IP21 (Special IP Rating On Request)

# 51 mm

## DIMENSION

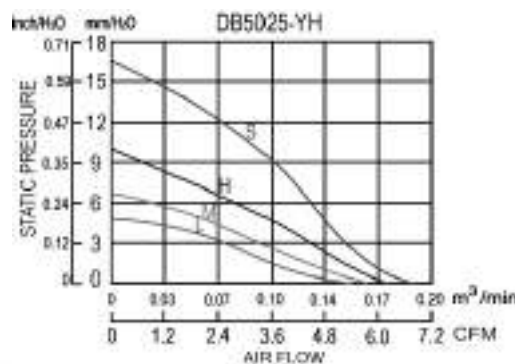


UNIT: mm[inch]

## SPECIFICATION

MODEL NO.	RATED VOLTAGE (V)	RATED CURRENT (A)	INPUT POWER (W)	SPEED (RPM)	MAX. AIR PRESSURE		MAX. AIR FLOW		NOISE dB(A) @1M
					inch/H <sub>2</sub> O	mm/H <sub>2</sub> O	CFM	m <sup>3</sup> /min	
DB5025V5H-YH	5	0.35	1.75	4000	0.39	10.03	6.18	0.18	30.9
DB5025V5M-YH	5	0.35	1.75	3500	0.26	6.64	5.75	0.16	28.0
DB5025V5L-YH	5	0.20	1.00	3000	0.20	4.96	5.38	0.15	25.5
DB5025V12S-YH	12	0.25	3.00	5000	0.65	16.56	6.88	0.19	37.1
DB5025V12H-YH	12	0.20	2.40	4000	0.39	10.03	6.18	0.18	30.9
DB5025V12M-YH	12	0.14	1.68	3500	0.26	6.64	5.75	0.16	28.0
DB5025V12L-YH	12	0.11	1.32	3000	0.20	4.96	5.38	0.15	25.5
DB5025V24S-YH	24	0.12	2.88	5000	0.65	16.56	6.88	0.19	37.1
DB5025V24H-YH	24	0.10	2.40	4000	0.39	10.03	6.18	0.18	30.9
DB5025V24M-YH	24	0.08	1.92	3500	0.26	6.64	5.75	0.16	28.0

## AIR PERFORMANCE



# DB 6015-EC

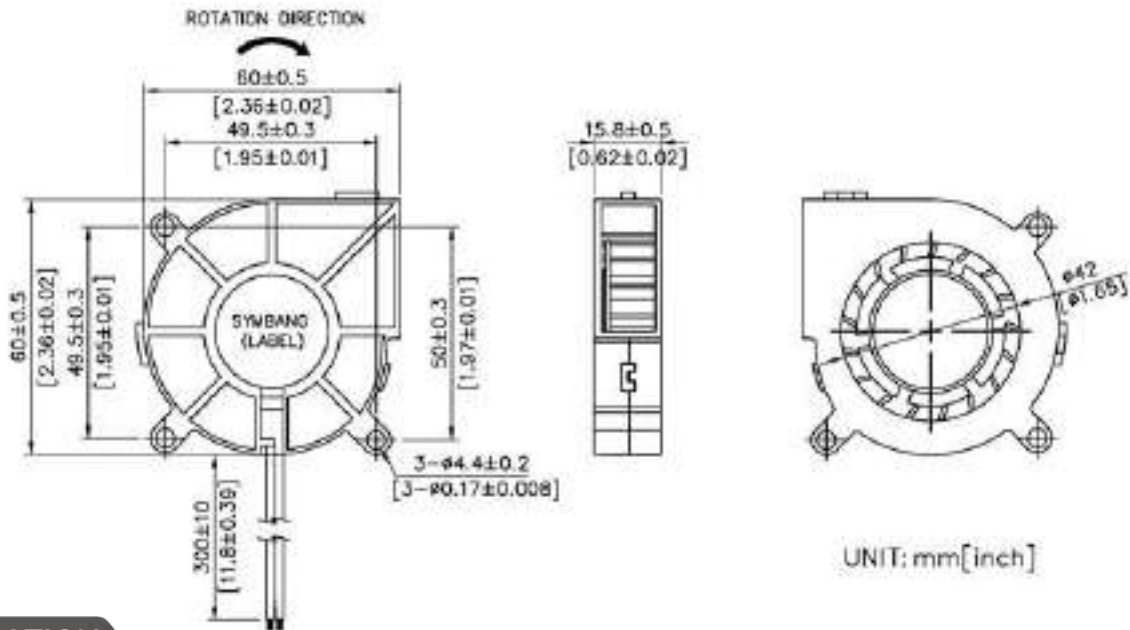
60X60X15mm(2.36"x2.36"x0.59")



HOUSING Thermoplastic PBT, UL94V-0  
 IMPELLER Thermoplastic PBT, UL94V-0  
 BEARING Ball or sleeve  
 OPERATING TEMPERATURE -10°C to + 70°C  
 DIELECTRIC STRENGTH 5mA Max. at 500 VAC for 1 minute  
 INSULATION RESISTANCE 10M  $\Omega$  min. @500 VDC  
 WEIGHT 65g  
 ROHS COMPLIANCE Yes  
 IP LEVEL IP21 (Special IP Rating On Request)

# 60mm

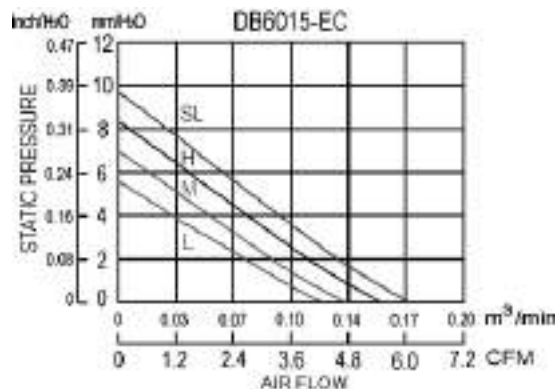
## DIMENSION



## SPECIFICATION

MODEL NO.	RATED VOLTAGE (V)	RATED CURRENT (A)	INPUT POWER (W)	SPEED (RPM)	MAX. AIR PRESSURE		MAX. AIR FLOW		NOISE dB(A) @1M
					inch/H <sub>2</sub> O	mm/H <sub>2</sub> O	CFM	m <sup>3</sup> /min	
DB6015V12SLB-EC	12	0.22	2.64	5500	0.38	9.65	6.02	0.17	34
DB6015V12HB-EC	12	0.18	2.16	5000	0.33	8.38	5.52	0.16	33
DB6015V12MB-EC	12	0.17	2.04	4500	0.27	6.86	4.73	0.13	32
DB6015V12LB-EC	12	0.14	1.68	4000	0.22	5.59	4.20	0.12	31

## AIR PERFORMANCE



# DB7630

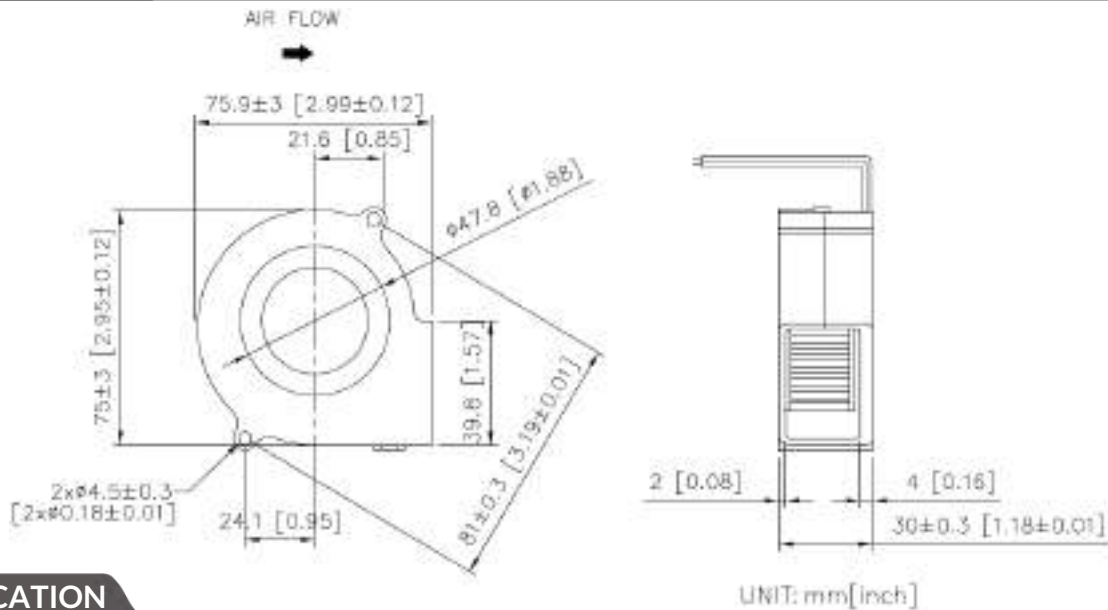
76X75X30mm(2.99"x2.95"x1.18")



HOUSING	Thermoplastic PBT, UL94V-0
IMPELLER	Thermoplastic PBT, UL94V-0
BEARING	Ball or Sleeve
OPERATING TEMPERATURE	-10°C to + 60°C
DIELECTRIC STRENGTH	5mA Max. at 500 VAC for 1 minute
INSULATION RESISTANCE	10M $\Omega$ min. @500 VDC
WEIGHT	95 g
ROHS COMPLIANCE	Yes
IP LEVEL	IP21 (Special IP Rating On Request)

# 76mm

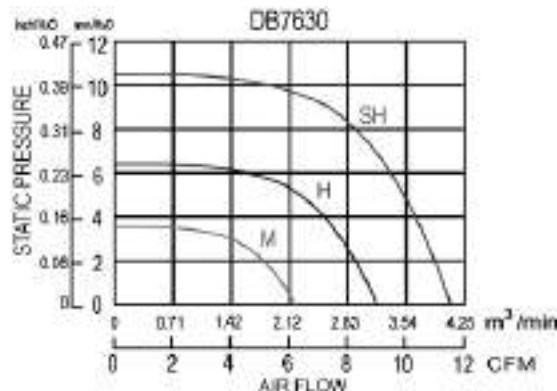
## DIMENSION



## SPECIFICATION

MODEL NO.	RATED VOLTAGE (V)	RATED CURRENT (A)	INPUT POWER (W)	SPEED (RPM)	MAX. AIR PRESSURE		MAX. AIR FLOW		NOISE dB(A) @1M
					inch/H2O	mm/H2O	CFM	m3/min	
DB7630V12SH	12	0.25	3	3100	0.41	10.5	11.5	0.33	41
DB7630V12H	12	0.2	2.4	2600	0.25	6.33	8.94	0.25	35
DB7630V12M	12	0.1	1.2	2000	0.14	3.5	6.2	0.18	23
DB7630V24H	24	0.12	2.88	2600	0.25	6.33	8.94	0.25	35

## AIR PERFORMANCE



# DB 7630-K

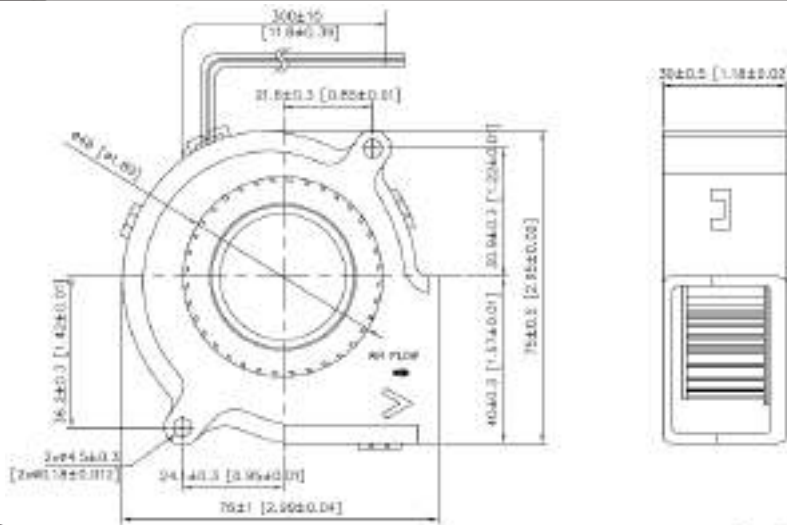
76X75X30mm(2.99"x2.95"x1.18")



HOUSING Thermoplastic PBT, UL94V-0  
 IMPELLER Thermoplastic PBT, UL94V-0  
 BEARING Ball or Sleeve  
 OPERATING TEMPERATURE -10°C to + 70°C  
 DIELECTRIC STRENGTH 5mA Max. at 500 VAC for 1 minute  
 INSULATION RESISTANCE 10M  $\Omega$  min. @500 VDC  
 WEIGHT 87 g  
 ROHS COMPLIANCE Yes  
 IP LEVEL IP21 (Special IP Rating On Request)

# 76<sub>mm</sub>

## DIMENSION

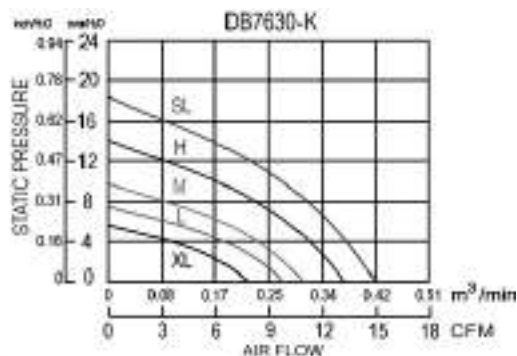


UNIT: mm[inch]

## SPECIFICATION

MODEL NO.	RATED VOLTAGE (V)	RATED CURRENT (A)	INPUT POWER (W)	SPEED (RPM)	MAX. AIR PRESSURE		MAX. AIR FLOW		NOISE dB(A) @1M
					inch/H <sub>2</sub> O	mm/H <sub>2</sub> O	CFM	m <sup>3</sup> /min	
DB7630V12SL-K	12	0.42	5.04	4000	0.72	18.3	14.8	0.41	42
DB7630V12H-K	12	0.3	3.6	3500	0.56	14.1	13	0.36	42
DB7630V12M-K	12	0.18	2.16	2900	0.37	9.6	10.8	0.3	38
DB7630V12L-K	12	0.12	1.44	2350	0.29	7.4	9.7	0.28	32
DB7630V12XL-K	12	0.1	1.2	1900	0.22	5.7	7.9	0.22	26
DB7630V24SL-K	24	0.28	6.72	4000	0.72	18.3	14.8	0.41	42
DB7630V24H-K	24	0.2	4.8	3500	0.56	14.1	13	0.36	42
DB7630V24M-K	24	0.13	3.12	2900	0.37	9.6	10.8	0.3	38
DB7630V24L-K	24	0.09	2.16	2350	0.29	7.4	9.7	0.28	32
DB7630V24XL-K	24	0.06	1.44	1900	0.22	5.7	7.9	0.22	26

## AIR PERFORMANCE



# DB9733-K

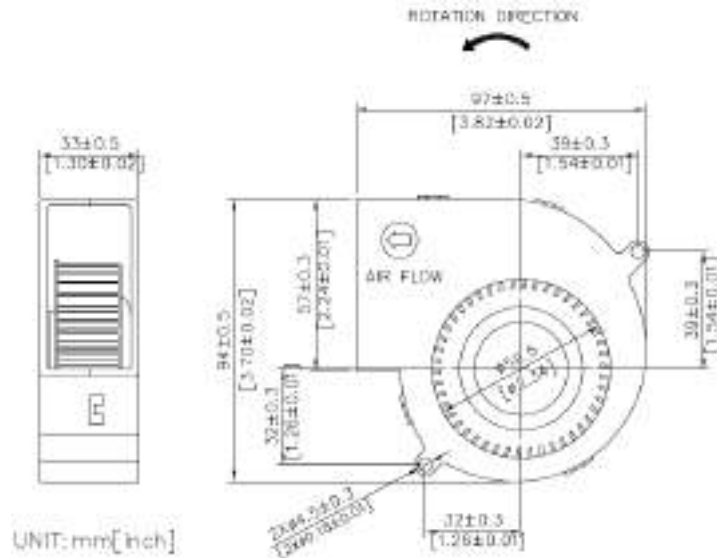
97X94X33mm(3.81"x3.70"x1.29")



HOUSING Thermoplastic PBT, UL94V-0  
 IMPELLER Thermoplastic PBT, UL94V-0  
 BEARING Ball  
 OPERATING TEMPERATURE -10°C to + 60°C  
 DIELECTRIC STRENGTH 5mA Max. at 500 VAC for 1 minute  
 INSULATION RESISTANCE 10M  $\Omega$  min. @500 VDC  
 WEIGHT 150 g  
 ROHS COMPLIANCE Yes  
 IP LEVEL IP21 (Special IP Rating On Request)

# 97 mm

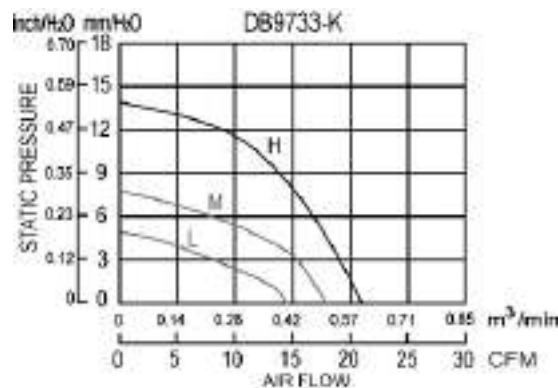
## DIMENSION



## SPECIFICATION

MODEL NO.	RATED VOLTAGE (V)	RATED CURRENT (A)	INPUT POWER (W)	SPEED (RPM)	MAX. AIR PRESSURE		MAX. AIR FLOW		NOISE dB(A) @1M
					inch/H <sub>2</sub> O	mm/H <sub>2</sub> O	CFM	m <sup>3</sup> /min	
DB9733V12H-K	12	0.6	7.2	3600	0.55	14	21	0.59	52
DB9733V12M-K	12	0.32	3.84	2700	0.31	7.8	18	0.51	45
DB9733V12L-K	12	0.21	2.52	2200	0.2	5	14.5	0.41	43
DB9733V24H-K	24	0.32	7.68	3600	0.55	14	21	0.59	52
DB9733V24M-K	24	0.18	4.32	2700	0.31	7.8	18	0.51	45
DB9733V24L-K	24	0.14	3.36	2200	0.2	5	14.5	0.41	43

## AIR PERFORMANCE



# DB 12032-C

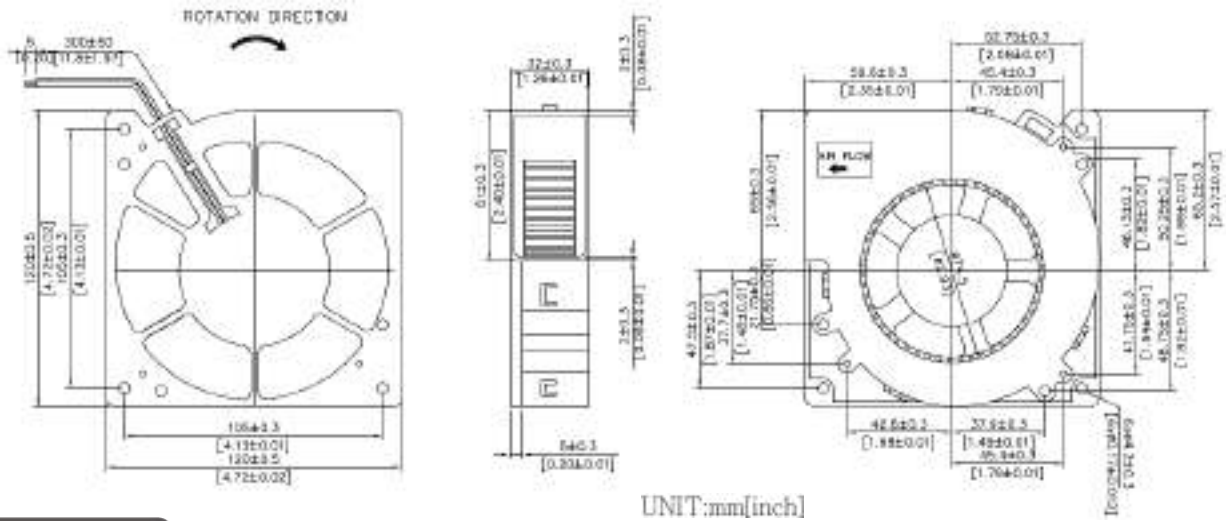
120X120X32mm(4.72"x4.72"x1.26")



HOUSING Thermoplastic PBT, UL94V-0  
 IMPELLER Thermoplastic PBT, UL94V-0  
 BEARING Ball  
 OPERATING TEMPERATURE -10°C to + 70°C  
 DIELECTRIC STRENGTH 5mA Max. at 500 VAC for 1 minute  
 INSULATION RESISTANCE 10M  $\Omega$  min. @500 VDC  
 WEIGHT 226g  
 ROHS COMPLIANCE Yes  
 IP LEVEL IP21 (Special IP Rating On Request)

# 120mm

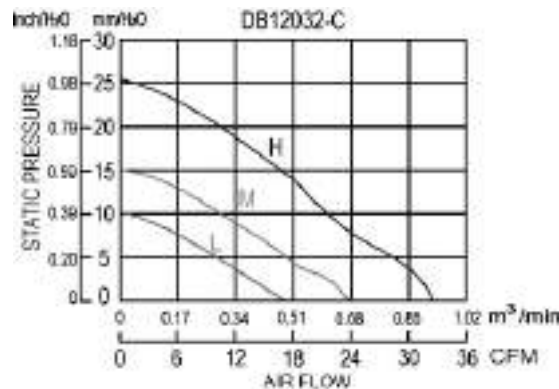
## DIMENSION



## SPECIFICATION

MODEL NO.	RATED VOLTAGE (V)	RATED CURRENT (A)	INPUT POWER (W)	SPEED (RPM)	MAX. AIR PRESSURE inch/H <sub>2</sub> O    mm/H <sub>2</sub> O	MAX. AIR FLOW CFM    m <sup>3</sup> /min	NOISE dB(A) @1M
DB12032V12HB-C	12	0.95	11.40	2800	1.00    25.40	32.5    0.92	54
DB12032V12MB-C	12	0.40	4.80	2000	0.60    15.24	24.0    0.68	46
DB12032V12LB-C	12	0.16	1.92	1400	0.40    10.16	17.0    0.48	32
DB12032V24HB-C	24	0.54	12.96	2800	1.00    25.40	32.5    0.92	54
DB12032V24MB-C	24	0.32	7.68	2000	0.60    15.24	24.0    0.68	46
DB12032V24LB-C	24	0.11	2.64	1400	0.40    10.16	17.0    0.48	32

## AIR PERFORMANCE



# DB 12131-C

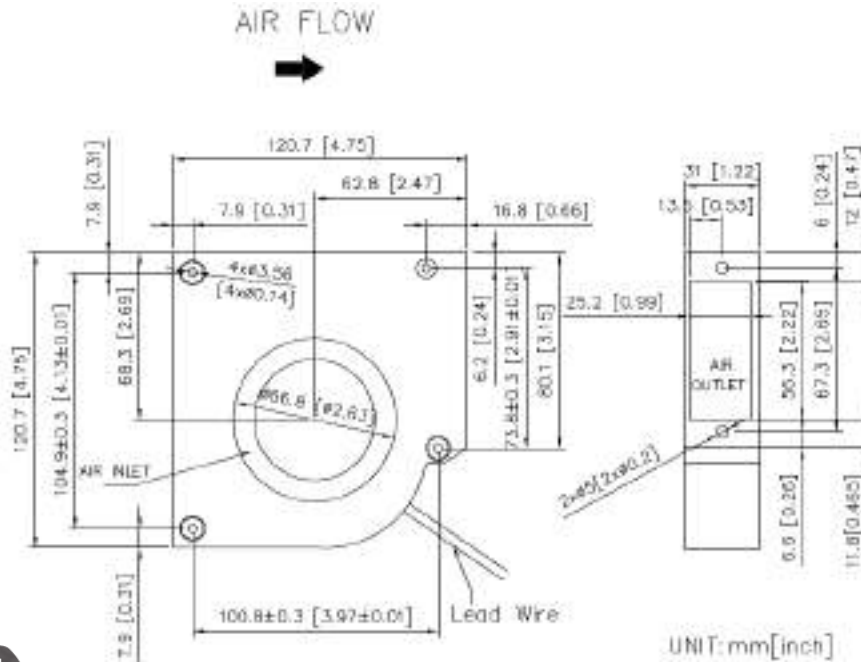
121X121X31mm(4.75"x4.75"x1.22")



HOUSING Thermoplastic PBT, UL94-0  
 IMPELLER Thermoplastic PBT, UL94-0  
 BEARING Ball or Sleeve  
 OPERATING TEMPERATURE -10°C to + 60°C  
 DIELECTRIC STRENGTH 5mA Max. at 500 VAC for 1 minute  
 INSULATION RESISTANCE 10M  $\Omega$  min. @500 VDC  
 WEIGHT 260 g  
 ROHS COMPLIANCE Yes  
 IP LEVEL IP21 (Special IP Rating On Request)

# 121 mm

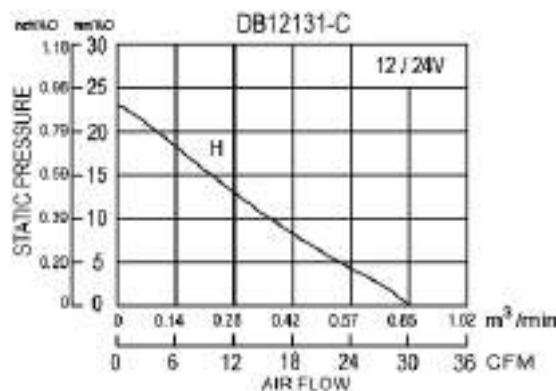
## DIMENSION



## SPECIFICATION

MODEL NO.	RATED VOLTAGE (V)	RATED CURRENT (A)	INPUT POWER (W)	SPEED (RPM)	MAX. AIR PRESSURE		MAX. AIR FLOW		NOISE dB(A) @1M
					inch/H <sub>2</sub> O	mm/H <sub>2</sub> O	CFM	m <sup>3</sup> /min	
DB12131V12H-C	12	0.60	10.8	3500	0.91	23	30	0.85	46
DB12131V24H-C	24	0.55	13.2	3500	0.91	23	30	0.85	46

## AIR PERFORMANCE



# DB 12137

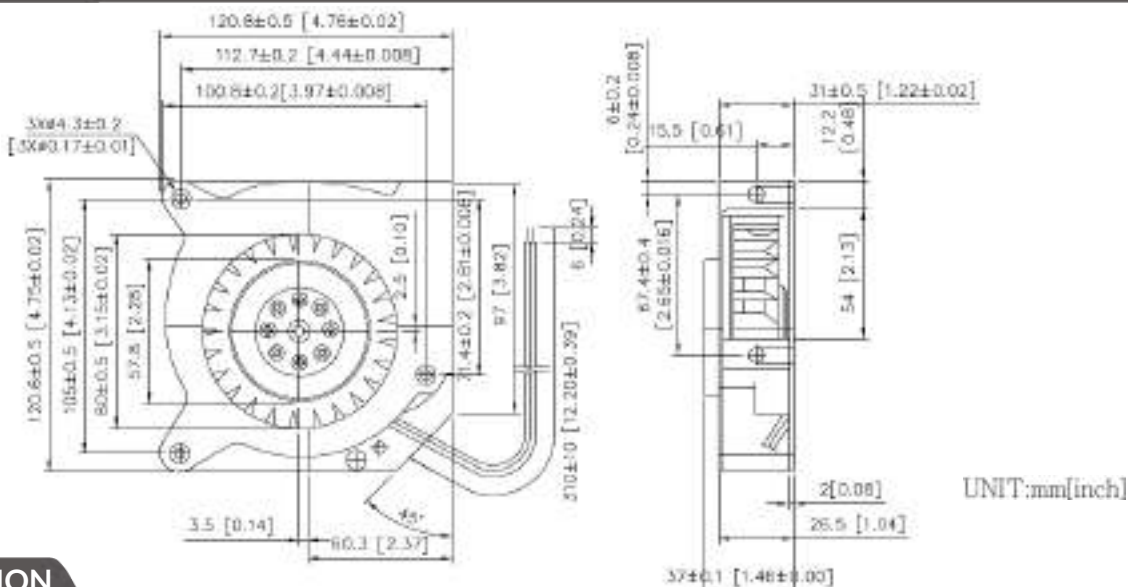
121X121X37mm(4.76"x4.76"x1.46")



HOUSING	Thermoplastic PBT, UL94-0
IMPELLER	Thermoplastic PBT, UL94-0
BEARING	Ball or Sleeve
OPERATING TEMPERATURE	-10°C to + 60°C
DIELECTRIC STRENGTH	5mA Max. at 500 VAC for 1 minute
INSULATION RESISTANCE	10M $\Omega$ min. @500 VDC
WEIGHT	500 g
ROHS COMPLIANCE	Yes
IP LEVEL	IP21 (Special IP Rating On Request)

# 121 mm

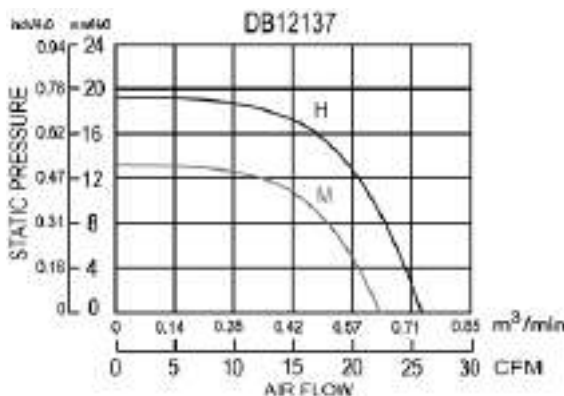
## DIMENSION



## SPECIFICATION

MODEL NO.	RATED VOLTAGE (V)	RATED CURRENT (A)	INPUT POWER (W)	SPEED (RPM)	MAX. AIR PRESSURE		MAX. AIR FLOW		NOISE dB(A) @1M
					inch/H2O	mm/H2O	CFM	m3/min	
DB12137V12H	12	0.95	11.5	2800	0.75	19.05	26	0.73	55
DB12137V12M	12	0.63	7.5	2500	0.52	13.21	22	0.62	52
DB12137V24H	24	0.42	10.0	2800	0.75	19.05	26	0.73	55
DB12137V24M	24	0.31	7.5	2500	0.52	13.21	22	0.62	52
DB12137V48H	48	0.23	11.0	2800	0.75	19.05	26	0.73	55
DB12137V48M	48	0.16	7.7	2500	0.52	13.21	22	0.62	52

## AIR PERFORMANCE





# DB 15458-K

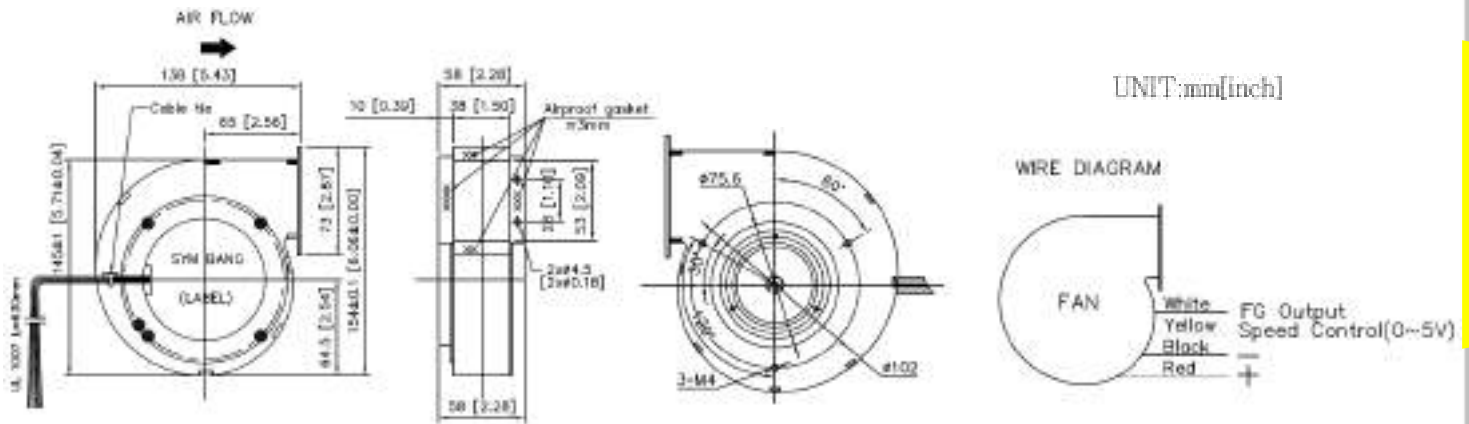
154X138X58mm(6.06"x5.43"x2.28")



HOUSING Electroplate steel sheet  
 IMPELLER Aluminum sheet  
 BEARING Ball  
 OPERATING TEMPERATURE -10°C to + 70°C  
 DIELECTRIC STRENGTH 5mA Max. at 500 VAC for 1 minute  
 INSULATION RESISTANCE 10M  $\Omega$  min. @500 VDC  
 WEIGHT 680 g  
 ROHS COMPLIANCE Yes  
 IP LEVEL IP21 (Special IP Rating On Request)

# 154mm

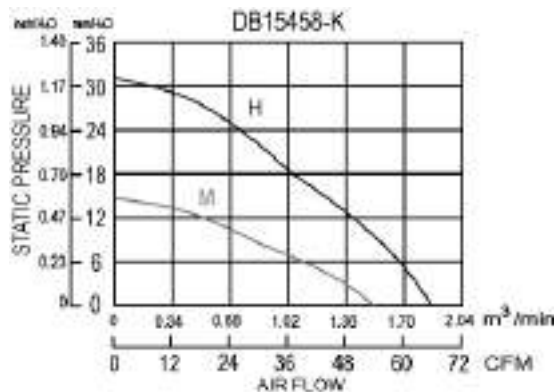
## DIMENSION



## SPECIFICATION

MODEL NO.	RATED VOLTAGE (V)	RATED CURRENT (A)	INPUT POWER (W)	SPEED (RPM)	MAX. AIR PRESSURE		MAX. AIR FLOW		NOISE dB(A) @1M
					inch/H <sub>2</sub> O	mm/H <sub>2</sub> O	CFM	m <sup>3</sup> /min	
DB15458V12HB-K	12	1.96	23.52	2800	1.23	31.2	65.0	1.84	56
DB15458V12MB-K	12	1.30	15.60	2200	0.57	14.7	53.8	1.50	51
DB15458V24HB-K	24	1.15	27.60	2800	1.23	31.2	65.0	1.84	56
DB15458V24MB-K	24	0.65	15.60	2200	0.57	14.7	53.8	1.50	51

## AIR PERFORMANCE



# DB 180115-PB

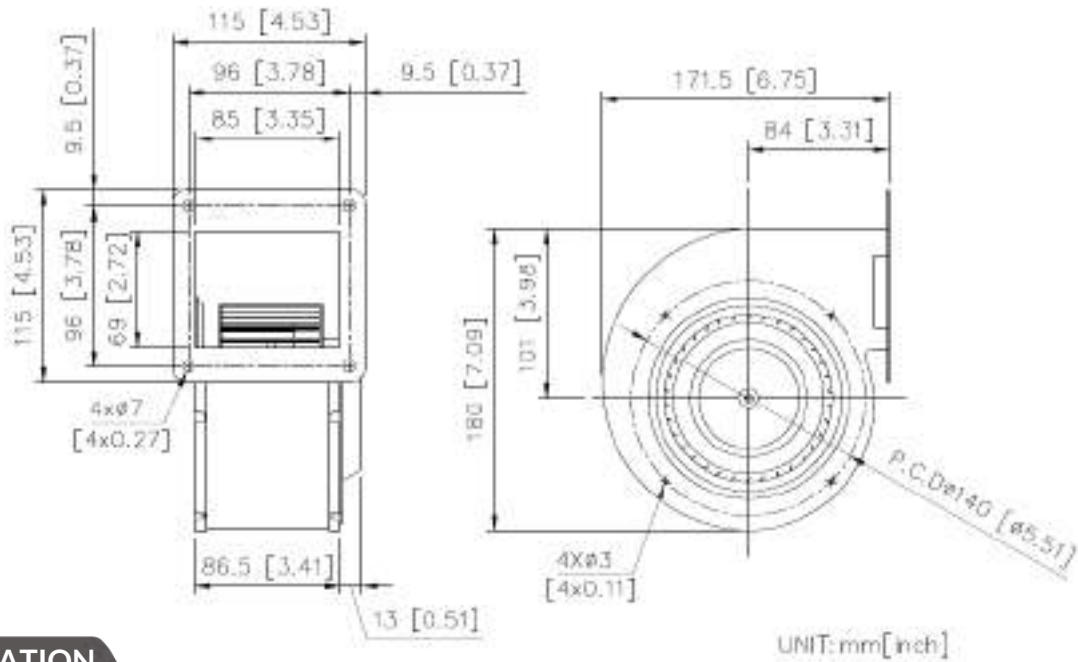
180X180X115mm(7.09"x7.09"x4.53") **CE**



HOUSING Steel  
 IMPELLER Steel  
 BEARING Ball  
 OPERATING TEMPERATURE -25°C to 60°C  
 DIELECTRIC STRENGTH 5mA Max. at 700 VDC for 1 second  
 INSULATION RESISTANCE 10M  $\Omega$  min. @500 VDC  
 WEIGHT 1.6kg  
 ROHS COMPLIANCE Yes  
 IP LEVEL IP44 (Special IP Rating On Request)

# 180mm

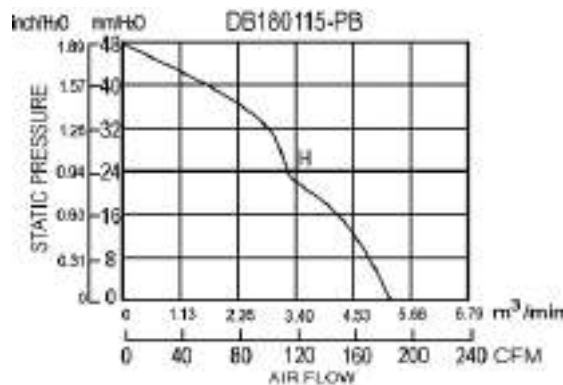
## DIMENSION



## SPECIFICATION

MODEL NO.	RATED VOLTAGE (V)	RATED CURRENT (A)	INPUT POWER (W)	SPEED (RPM)	MAX. AIR PRESSURE		MAX. AIR FLOW		NOISE dB(A) @1M
					inch/H <sub>2</sub> O	mm/H <sub>2</sub> O	CFM	m <sup>3</sup> /min	
DB180115V24H-PB	24	2.8	67.2	2700	1.88	48	186	5.26	61
DB180115V48H-PB	48	1.4	67.2	2700	1.88	48	186	5.26	61

## AIR PERFORMANCE



# DB 18970

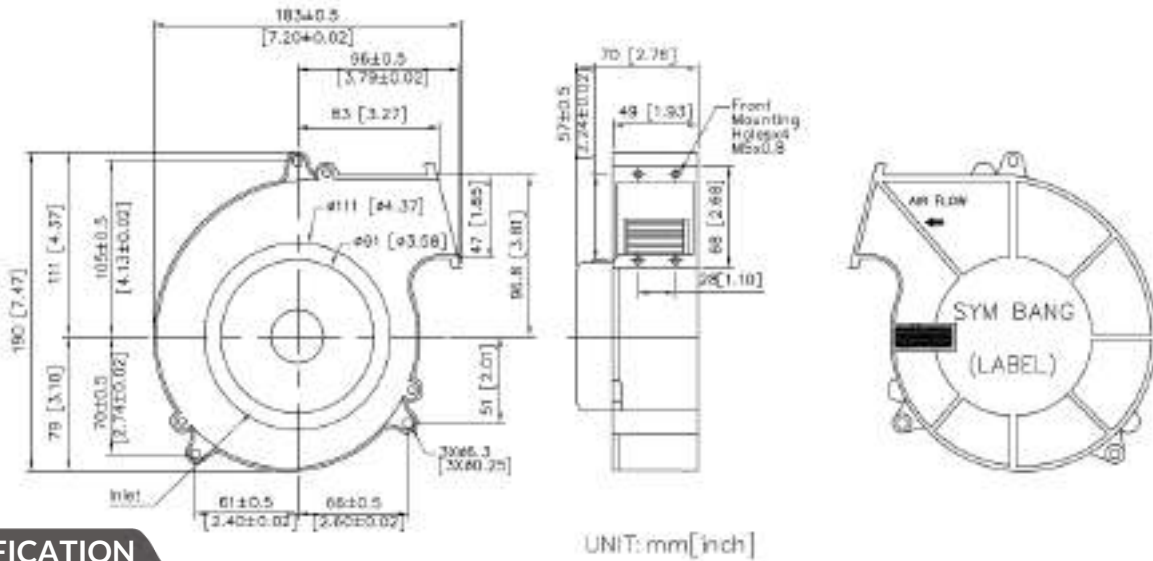
189X183X70mm(7.44"x7.20"x2.75")



HOUSING Aluminum Die Casting  
 IMPELLER Thermoplastic PBT+30% Glass Fiber  
 BEARING Ball  
 OPERATING TEMPERATURE -10°C to + 60°C  
 DIELECTRIC STRENGTH 5mA Max. at 500 VAC for 1 minute  
 INSULATION RESISTANCE 10M  $\Omega$  min. @500 VDC  
 WEIGHT 1.45 kg  
 ROHS COMPLIANCE Yes  
 IP LEVEL IP21 (Special IP Rating On Request)

# 189 mm

## DIMENSION



## SPECIFICATION

MODEL NO.	RATED VOLTAGE (V)	RATED CURRENT (A)	INPUT POWER (W)	SPEED (RPM)	MAX. AIR PRESSURE		MAX. AIR FLOW		NOISE dB(A) @1M
					inch/H <sub>2</sub> O	mm/H <sub>2</sub> O	CFM	m <sup>3</sup> /min	
DB18970V24H	24	2.2	52.8	3000	1.97	50	90	2.55	68
DB18970V24M	24	1.6	38.4	2700	1.57	40	80	2.26	63
DB18970V24L	24	0.86	20.6	2200	0.79	20	64	1.81	52
DB18970V48H	48	1.1	52.8	3000	1.97	50	90	2.55	68
DB18970V48M	48	0.8	38.4	2700	1.57	40	80	2.26	63
DB18970V48L	48	0.43	20.6	2200	0.79	20	64	1.81	52

## AIR PERFORMANCE

