

AFD

20062-B

Ø200X62mm(Ø7.87"X2.44")



HOUSING	Aluminum Die Casting, Painted Black
IMPELLER	Metal
BEARING	Ball
OPERATING TEMPERATURE	-25°C to + 105°C
INSULATION	Class F
OPERATING VOLTAGE RANGE	110 VAC/125 VAC 220 VAC/240 VAC 380 VAC/420 VAC
DIELECTRIC STRENGTH	5mA Max. at 1500 VAC for 1 second
INSULATION RESISTANCE	10M Ω min. @500 VDC
MOTOR TYPE	AC Induction Capacitor Motor
SAFETY	Impedance Protected
TERMINATION	Lead Wire
ROHS COMPLIANCE	Yes
IP LEVEL	IP44 (Special IP Rating On Request)

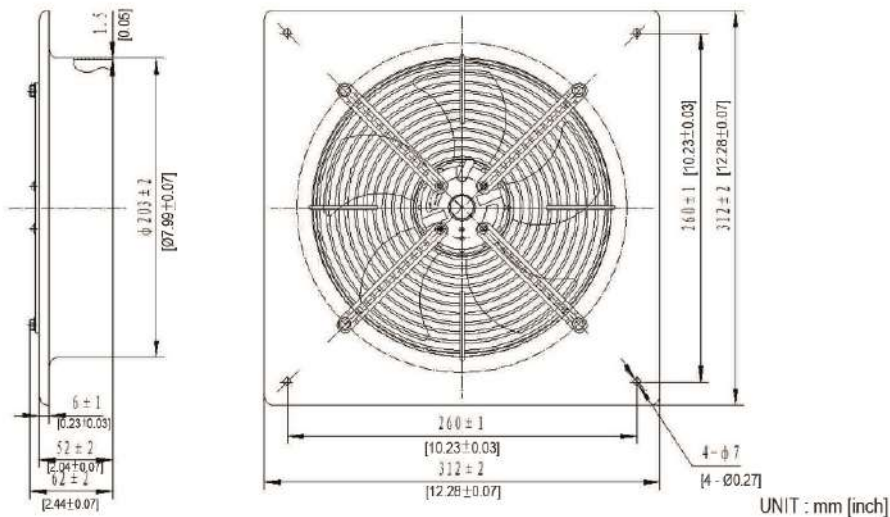
200

mm

SPECIFICATION

MODEL NO.	RATED VOLTAGE(V)	RATED CURRENT(A)	INPUT POWER(W)	SPEED (RPM)	MAX. AIR PRESSURE		MAX. AIR FLOW		NOISE dB(A) @1M
					inchH2O	mmH2O	CFM	m3/min	
AFD20062V1H2PS-B	110/125	0.68/0.65	67/77	2550/2850			545/607	15.42/17.17	65/68
AFD20062V2H2PS-B	220/240	0.35/0.28	62/80	2550/2850			545/607	15.42/17.17	65/68
AFD20062V3H2PT-B	380/420	0.28	80	2550/2850			545/607	15.42/17.17	65/68
AFD20062V3H2PS-B	380/420	0.16/0.19	68/88	2550/2850			545/607	15.42/17.17	65/68

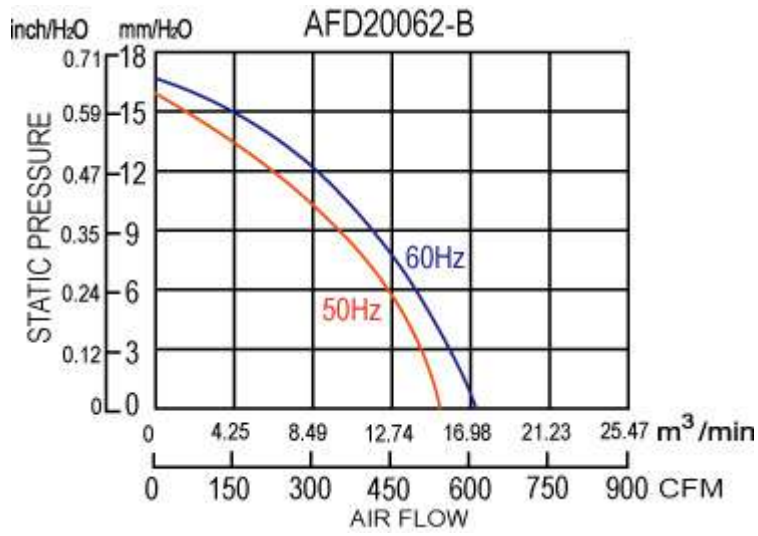
DIMENSION



YTK CO.,LTD.

[Http://www.ytk-group.co.jp](http://www.ytk-group.co.jp)

AIR PERFORMANCE



YTK CO.,LTD.

[Http://www.ytk-group.co.jp](http://www.ytk-group.co.jp)

AFD

25090-B



Ø250X90mm(Ø9.84"X3.54")



HOUSING	Aluminum Die Casting, Painted Black
IMPELLER	Metal
BEARING	Ball
OPERATING TEMPERATURE	-25°C to + 105°C
INSULATION	Class F
OPERATING VOLTAGE RANGE	220 VAC/240 VAC 380 VAC/420 VAC
DIELECTRIC STRENGTH	5mA Max. at 1500 VAC for 1 second
INSULATION RESISTANCE	10M Ω min. @500 VDC
MOTOR TYPE	AC Induction Capacitor Motor
SAFETY	Impedance Protected
TERMINATION	Lead Wire
ROHS COMPLIANCE	Yes
IP LEVEL	IP44 (Special IP Rating On Request)

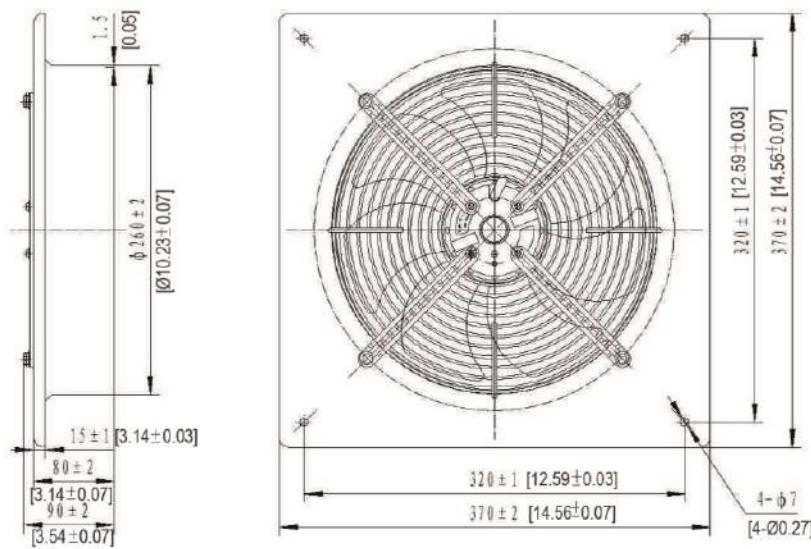
250

mm

SPECIFICATION

MODEL NO.	RATED VOLTAGE(V)	RATED CURRENT(A)	INPUT POWER(W)	SPEED (RPM)	MAX. AIR PRESSURE		MAX. AIR FLOW		NOISE dB(A) @1M
					inchH2O	mmH2O	CFM	m3/min	
AFD25090V3H2PS-B	380/420	0.35	100	2300/2700			776/870	22/24.67	68/73
AFD25090V3H2PT-B	380/420	0.2	100	2300/2700			776/870	22/24.67	68/73
AFD25090V2H2PS-B	220/240	0.5	100	2300/2700			776/870	22/24.67	68/73
AFD25090V3M4PS-B	380/420	0.12	40	1300/1500			495/565	22/24.67	58/63
AFD25090V3M4PT-B	380/420	0.1	40	1300/1500			495/565	14/16	58/63
AFD25090V2M4PS-B	220/240	0.2	40	1300/1500			495/565	14/16	58/63

DIMENSION

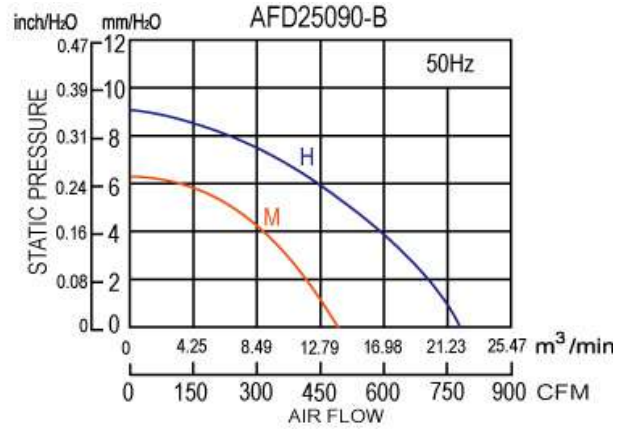
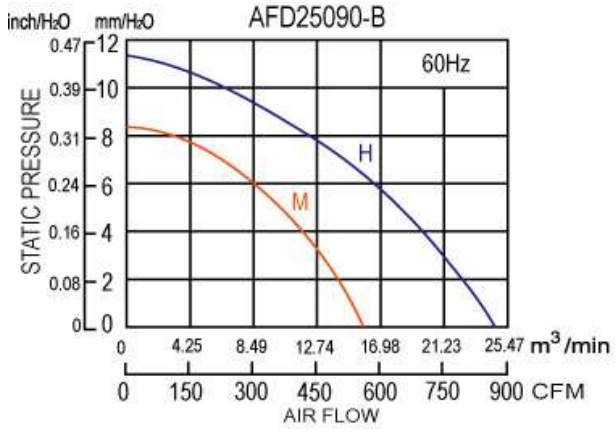


UNIT : mm [inch]

YTK CO.,LTD.

[Http://www.ytk-group.co.jp](http://www.ytk-group.co.jp)

AIR PERFORMANCE



AFD

30090-B



Ø300X90mm(Ø11.81"X3.54")



HOUSING	Aluminum Die Casting, Painted Black
IMPELLER	Metal
BEARING	Ball
OPERATING TEMPERATURE	-25°C to + 105°C
INSULATION	Class F
OPERATING VOLTAGE RANGE	220 VAC/240 VAC 380 VAC/420 VAC
DIELECTRIC STRENGTH	5mA Max. at 1500 VAC for 1 second
INSULATION RESISTANCE	10M Ω min. @500 VDC
MOTOR TYPE	AC Induction Capacitor Motor
SAFETY	Impedance Protected
TERMINATION	Lead Wire
ROHS COMPLIANCE	Yes
IP LEVEL	IP44 (Special IP Rating On Request)

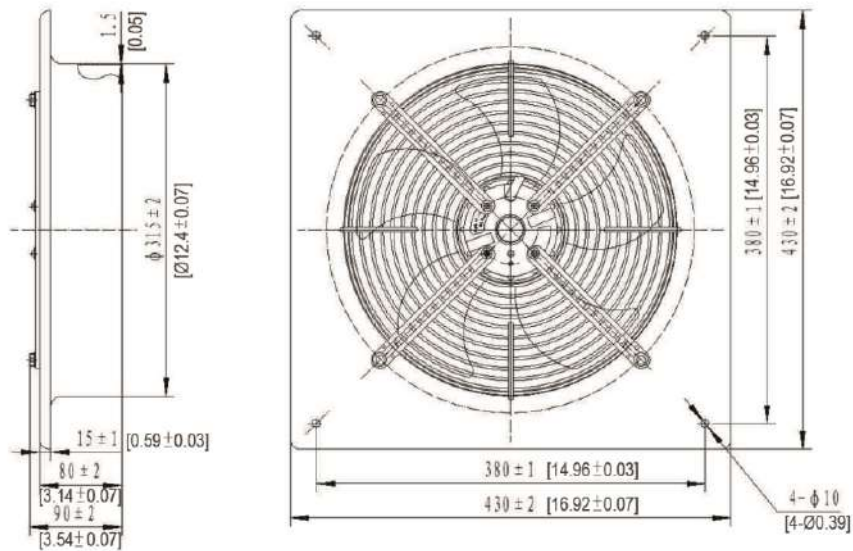
300

mm

SPECIFICATION

MODEL NO.	RATED VOLTAGE(V)	RATED CURRENT(A)	INPUT POWER(W)	SPEED (RPM)	MAX. AIR PRESSURE		MAX. AIR FLOW		NOISE dB(A) @1M
					inchH2O	mmH2O	CFM	m3/min	
AFD30090V3M4PS-B	380/420	0.25	80	1300/1500			847/931	24/26.33	65/68
AFD30090V3M4PT-B	380/420	0.22	80	1300/1500			847/931	24/26.33	65/68
AFD30090V2M4PS-B	220/240	0.4	80	1300/1500			847/931	24/26.33	65/68

DIMENSION

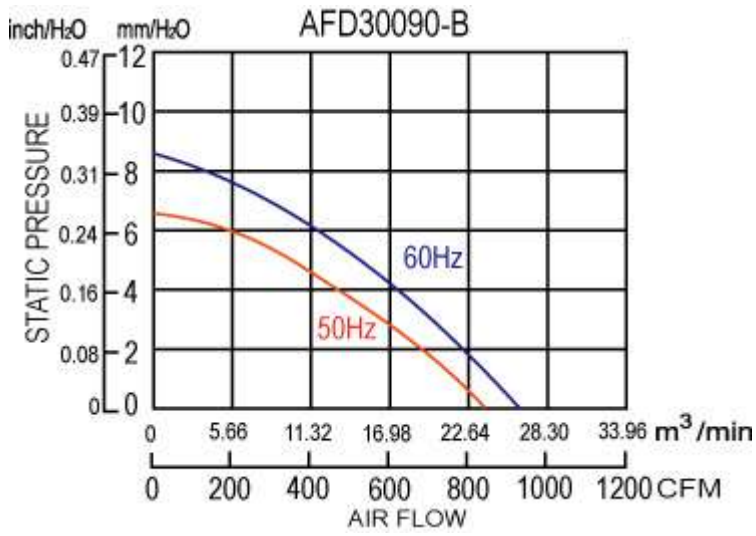


UNIT : mm [inch]

YTK CO.,LTD.

[Http://www.ytk-group.co.jp](http://www.ytk-group.co.jp)

AIR PERFORMANCE



AFD

35090-B

Ø350X90mm(Ø13.78"X3.54")



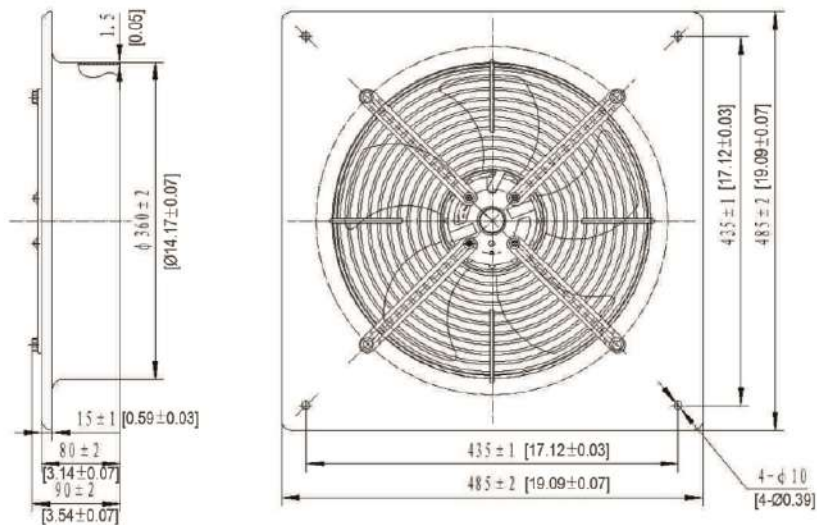
HOUSING	Aluminum Die Casting, Painted Black
IMPELLER	Metal
BEARING	Ball
OPERATING TEMPERATURE	-25°C to + 105°C
INSULATION	Class F
OPERATING VOLTAGE RANGE	220 VAC/240 VAC 380 VAC/420 VAC
DIELECTRIC STRENGTH	5mA Max. at 1500 VAC for 1 second
INSULATION RESISTANCE	10M Ω min. @500 VDC
MOTOR TYPE	AC Induction Capacitor Motor
SAFETY	Impedance Protected
TERMINATION	Lead Wire
ROHS COMPLIANCE	Yes
IP LEVEL	IP44 (Special IP Rating On Request)

350mm

SPECIFICATION

MODEL NO.	RATED VOLTAGE(V)	RATED CURRENT(A)	INPUT POWER(W)	SPEED (RPM)	MAX. AIR PRESSURE		MAX. AIR FLOW		NOISE dB(A) @1M
					inchH2O	mmH2O	CFM	m3/min	
AFD35090V3L6PS-B	380/420	0.35	91	950/1050			1235/1353	35/38.33	58/60
AFD35090V3L6PT-B	380/420	0.3	91	950/1050			1235/1353	35/38.33	58/60
AFD35090V2L6PS-B	220/240	0.42	91	950/1050			1235/1353	35/38.33	58/60
AFD35090V3M4PS-B	380/420	0.4	150	1360/1500			1695/1836	48/52	62/65
AFD35090V3M4PT-B	380/420	0.35	150	1360/1500			1695/1836	48/52	62/65
AFD35090V2M4PS-B	220/240	0.7	150	1360/1500			1695/1836	48/52	62/65

DIMENSION

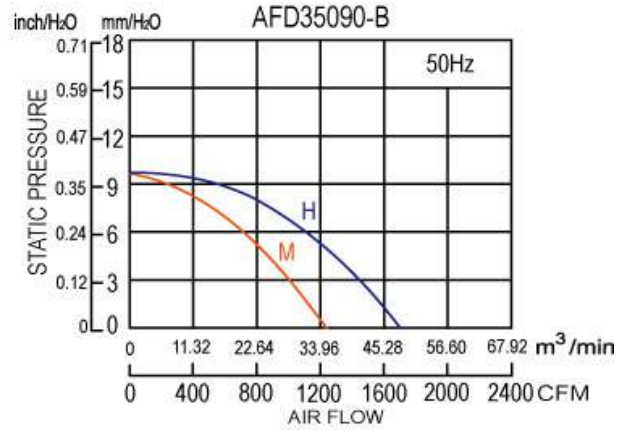
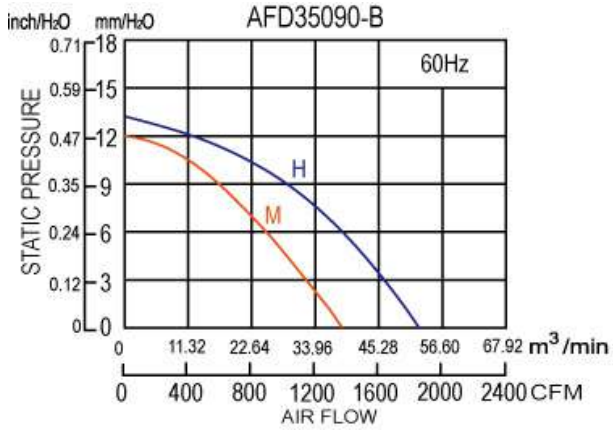


UNIT : mm [inch]

YTK CO.,LTD.

[Http://www.ytk-group.co.jp](http://www.ytk-group.co.jp)

AIR PERFORMANCE



AFD

400110-B

Ø400X110mm(Ø15.75"X4.33")



HOUSING	Aluminum Die Casting, Painted Black
IMPELLER	Metal
BEARING	Ball
OPERATING TEMPERATURE	-25°C to + 105°C
INSULATION	Class F
OPERATING VOLTAGE RANGE	220 VAC/240 VAC 380 VAC/420 VAC
DIELECTRIC STRENGTH	5mA Max. at 1500 VAC for 1 second
INSULATION RESISTANCE	10M Ω min. @500 VDC
MOTOR TYPE	AC Induction Capacitor Motor
SAFETY	Impedance Protected
TERMINATION	Lead Wire
ROHS COMPLIANCE	Yes
IP LEVEL	IP44 (Special IP Rating On Request)

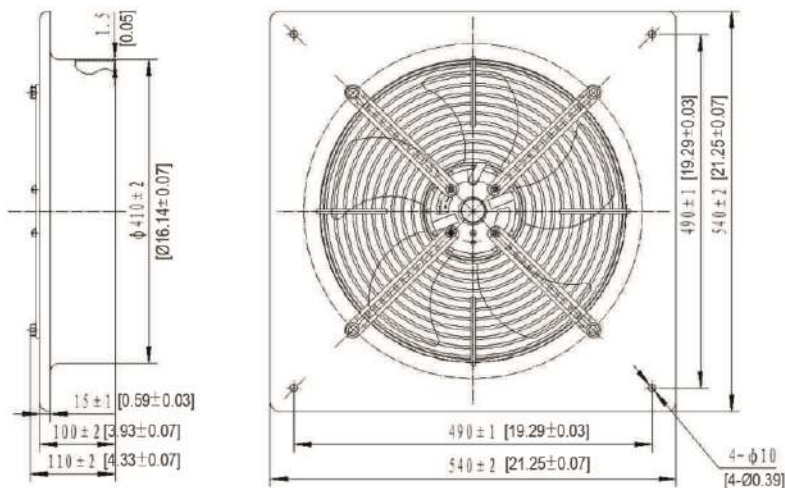
400

mm

SPECIFICATION

MODEL NO.	RATED VOLTAGE(V)	RATED CURRENT(A)	INPUT POWER(W)	SPEED (RPM)	MAX. AIR PRESSURE		MAX. AIR FLOW		NOISE dB(A) @1M
					inchH2O	mmH2O	CFM	m3/min	
AFD400110V3L6PS-B	380/420	0.4	112	950/1050			1977/2130	56/60.33	58/61
AFD400110V3L6PT-B	380/420	0.35	112	950/1050			1977/2130	56/60.33	58/61
AFD400110V2L6PS-B	220/240	0.5	112	950/1050			1977/2130	56/60.33	58/61
AFD400110V3M4PS-B	380/420	0.45	180	1400/1560			2400/2589	68/73.33	68/70
AFD400110V3M4PT-B	380/420	0.4	180	1400/1560			2400/2589	68/73.33	68/70
AFD400110V2M4PS-B	220/240	0.8	180	1400/1560			2400/2589	68/73.33	68/70

DIMENSION

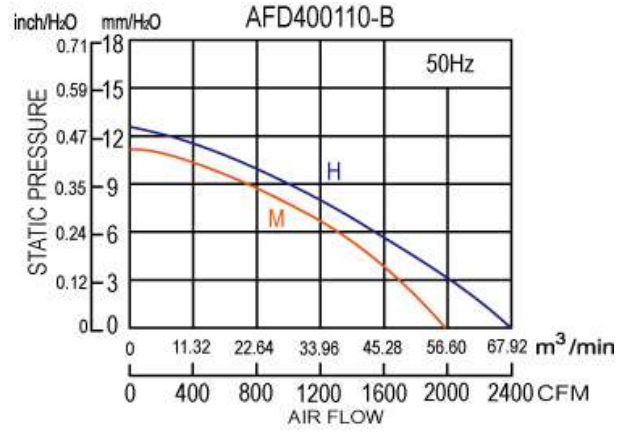
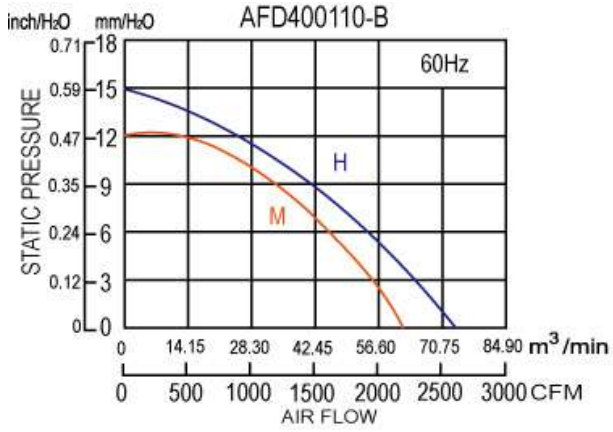


UNIT : mm [inch]

YTK CO.,LTD.

[Http://www.ytk-group.co.jp](http://www.ytk-group.co.jp)

AIR PERFORMANCE



AFD

450110-B



Ø450X110mm(Ø17.72"X4.33")



HOUSING	Aluminum Die Casting, Painted Black
IMPELLER	Metal
BEARING	Ball
OPERATING TEMPERATURE	-25°C to + 105°C
INSULATION	Class F
OPERATING VOLTAGE RANGE	220 VAC/240 VAC 380 VAC/420 VAC
DIELECTRIC STRENGTH	5mA Max. at 1500 VAC for 1 second
INSULATION RESISTANCE	10M Ω min. @500 VDC
MOTOR TYPE	AC Induction Capacitor Motor
SAFETY	Impedance Protected
TERMINATION	Lead Wire
ROHS COMPLIANCE	Yes
IP LEVEL	IP44 (Special IP Rating On Request)

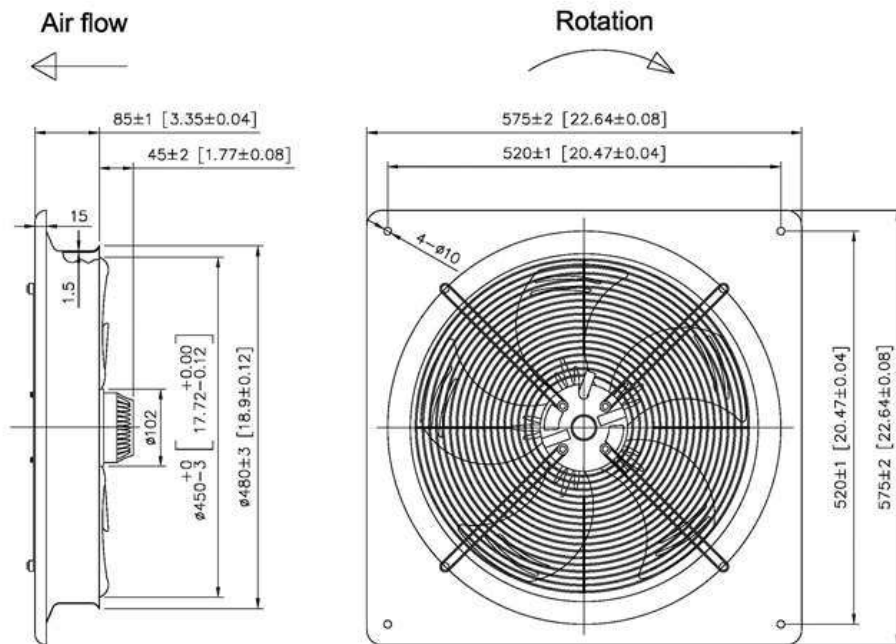
450

mm

SPECIFICATION

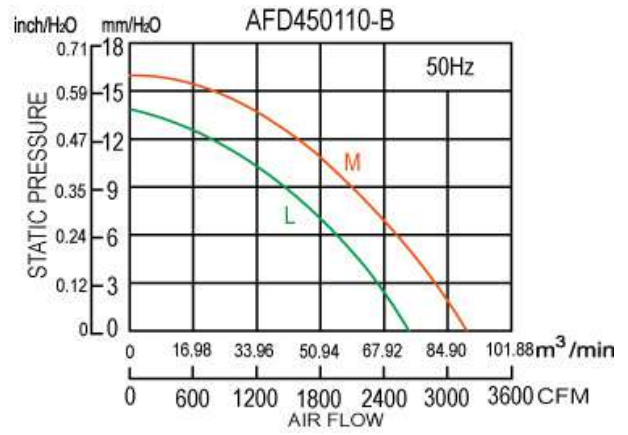
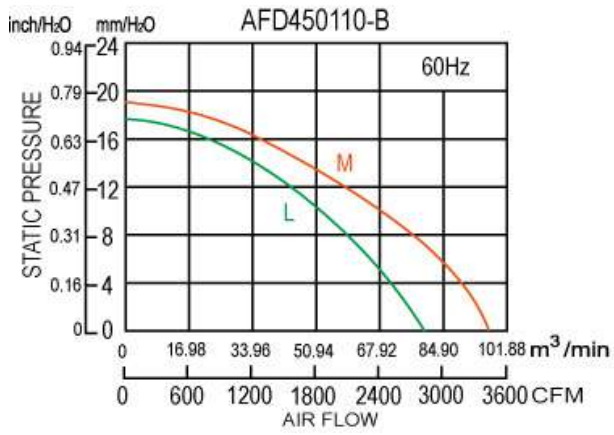
MODEL NO.	RATED VOLTAGE(V)	RATED CURRENT(A)	INPUT POWER(W)	SPEED (RPM)	MAX. AIR PRESSURE		MAX. AIR FLOW		NOISE dB(A) @1M
					inchH2O	mmH2O	CFM	m3/min	
AFD450110V3L6PS-B	380/420	0.45	160	920/1040			2624/2813	74.33/79.67	59/62
AFD450110V3L6PT-B	380/420	0.4	160	920/1040			2624/2813	74.33/79.67	59/62
AFD450110V2L6PS-B	220/240	0.71	160	920/1040			2624/2813	74.33/79.67	59/62
AFD450110V3M4PS-B	380/420	0.6	250	1350/1450			3154/3413	89.33/96.67	70/73
AFD450110V3M4PT-B	380/420	0.52	250	1350/1450			3154/3413	89.33/96.67	70/73
AFD450110V2M4PS-B	220/240	1.15	250	1350/1450			3154/3413	89.33/96.67	70/73

DIMENSION



UNIT: mm[inch]

AIR PERFORMANCE



AFD

500120-B



Ø500X120mm(Ø19.69"X4.72")



HOUSING	Aluminum Die Casting, Painted Black
IMPELLER	Metal
BEARING	Ball
OPERATING TEMPERATURE	-25°C to + 105°C
INSULATION	Class F
OPERATING VOLTAGE RANGE	220 VAC/240 VAC 380 VAC/420 VAC
DIELECTRIC STRENGTH	5mA Max. at 1500 VAC for 1 second
INSULATION RESISTANCE	10M Ω min. @500 VDC
MOTOR TYPE	AC Induction Capacitor Motor
SAFETY	Impedance Protected
TERMINATION	Lead Wire
ROHS COMPLIANCE	Yes
IP LEVEL	IP44 (Special IP Rating On Request)

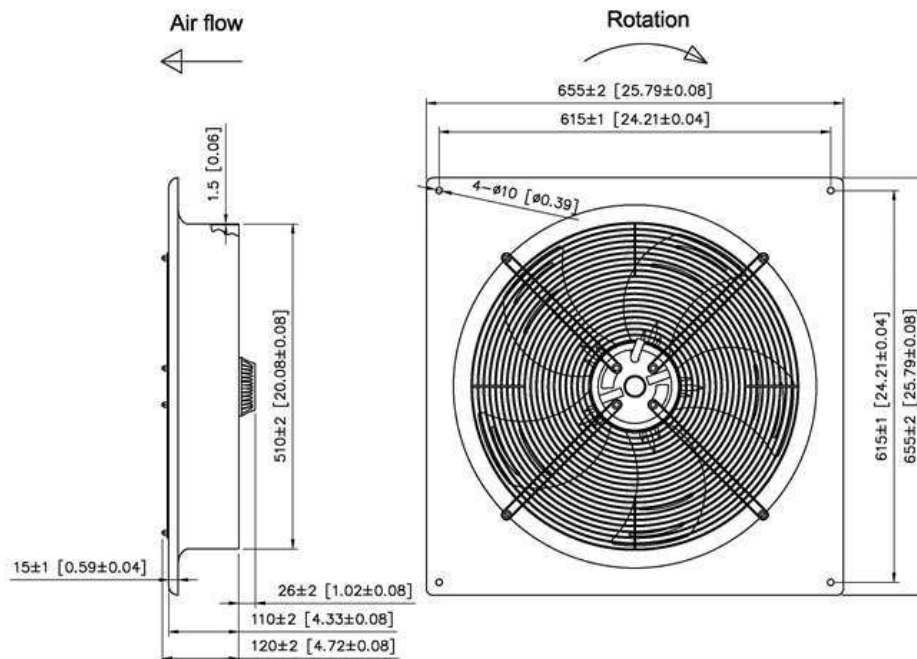
500

mm

SPECIFICATION

MODEL NO.	RATED VOLTAGE(V)	RATED CURRENT(A)	INPUT POWER(W)	SPEED (RPM)	MAX. AIR PRESSURE		MAX. AIR FLOW		NOISE dB(A) @1M
					inchH2O	mmH2O	CFM	m3/min	
AFD500120V3L6PS-B	380/420	0.65	240	925/1020			3266/3431	92.5/96.67	65/68
AFD500120V3L6PT-B	380/420	0.5	240	925/1020			3266/3431	92.5/96.67	65/68
AFD500120V2L6PS-B	220/240	1.2	240	925/1020			3266/3431	92.5/96.67	65/68
AFD500120V3M4PS-B	380/420	1.2	480	1350/1470			3589/3895	101.67/110.33	70/73
AFD500120V3M4PT-B	380/420	0.9	480	1350/1470			3589/3895	101.67/110.33	70/73
AFD500120V2M4PS-B	220/240	1.8	480	1350/1470			3589/3895	101.67/110.33	70/73

DIMENSION

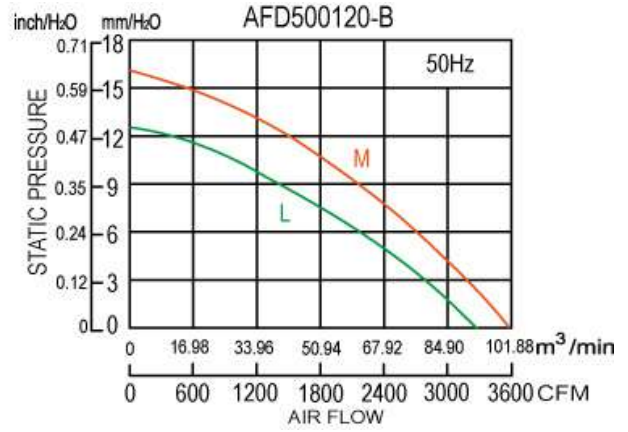
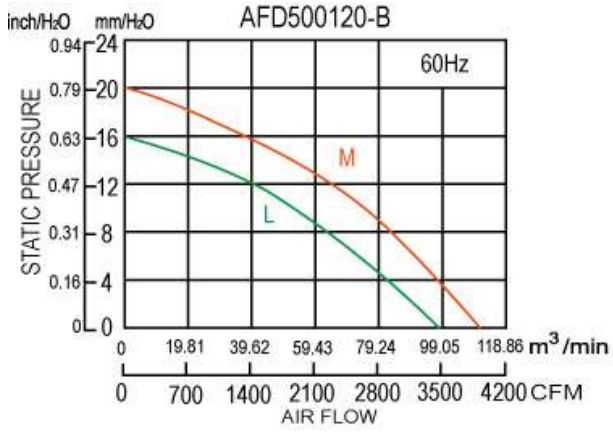


UNIT: mm[inch]

YTK CO.,LTD.

[Http://www.ytk-group.co.jp](http://www.ytk-group.co.jp)

AIR PERFORMANCE



AFD

550120-B

Ø550X120mm(Ø21.65"x4.72")



HOUSING	Aluminum Die Casting, Painted Black
IMPELLER	Metal
BEARING	Ball
OPERATING TEMPERATURE	-25°C to + 105°C
INSULATION	Class F
OPERATING VOLTAGE RANGE	220 VAC/240 VAC 380 VAC/420 VAC
DIELECTRIC STRENGTH	5mA Max. at 1500 VAC for 1 second
INSULATION RESISTANCE	10M Ω min. @500 VDC
MOTOR TYPE	AC Induction Capacitor Motor
SAFETY	Impedance Protected
TERMINATION	Lead Wire
ROHS COMPLIANCE	Yes
IP LEVEL	IP44 (Special IP Rating On Request)

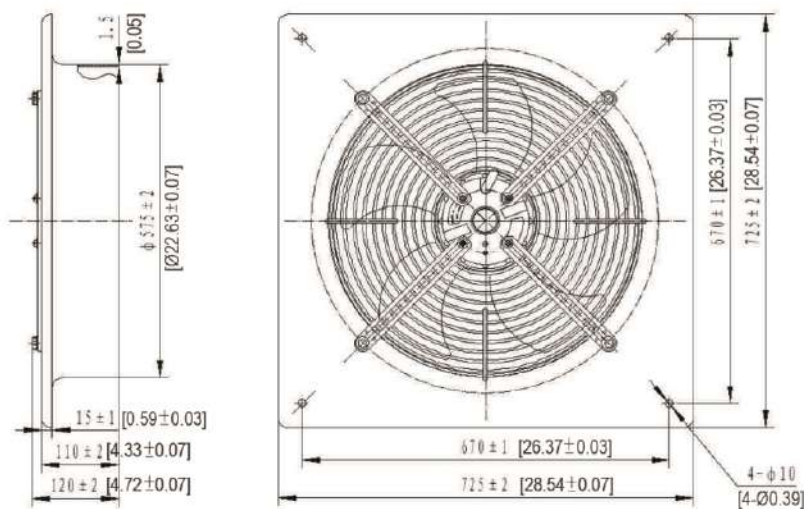
550

mm

SPECIFICATION

MODEL NO.	RATED VOLTAGE(V)	RATED CURRENT(A)	INPUT POWER(W)	SPEED (RPM)	MAX. AIR PRESSURE		MAX. AIR FLOW		NOISE dB(A) @1M
					inchH2O	mmH2O	CFM	m3/min	
AFD550120V3L6PS-B	380/420	0.85	280	900/980			3653/4013	103.48/113.67	68/71
AFD550120V3L6PT-B	380/420	0.72	280	900/980			3653/4013	103.48/113.67	68/71
AFD550120V2L6PS-B	220/240	1.2	280	900/980			3653/4013	103.48/113.67	68/71
AFD550120V3M4PS-B	380/420	1.5	500	1300/1420			4825/5237	136.67/148.33	70/73
AFD550120V3M4PT-B	380/420	0.95	500	1300/1420			4825/5237	136.67/148.33	70/73
AFD550120V2M4PS-B	220/240	2.1	500	1300/1420			4825/5237	136.67/148.33	70/73

DIMENSION

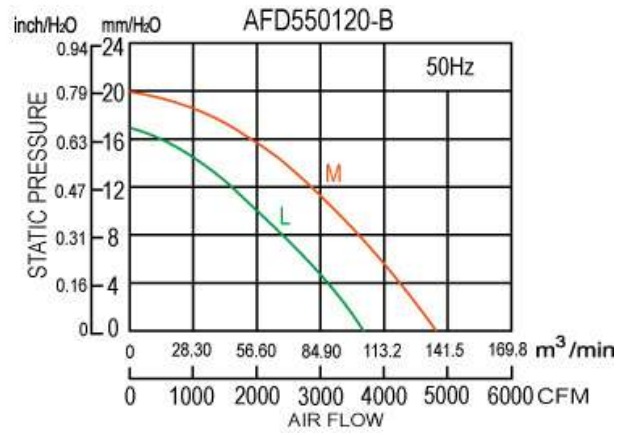
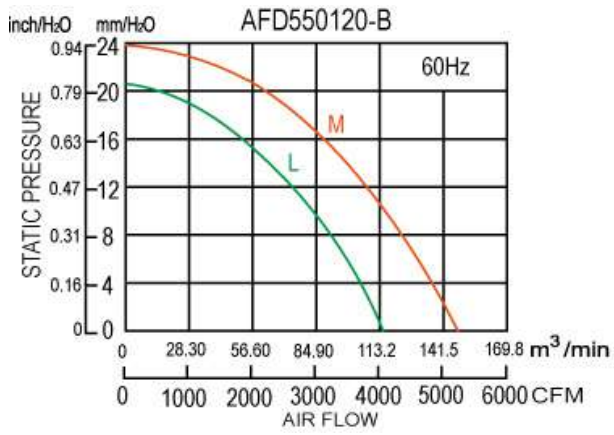


UNIT : mm [inch]

YTK CO.,LTD.

[Http://www.ytk-group.co.jp](http://www.ytk-group.co.jp)

AIR PERFORMANCE



YTK CO.,LTD.

[Http://www.ytk-group.co.jp](http://www.ytk-group.co.jp)

AFD

600135-B



Ø600X135mm(Ø23.62"X5.31")



HOUSING	Aluminum Die Casting, Painted Black
IMPELLER	Metal
BEARING	Ball
OPERATING TEMPERATURE	-25°C to + 105°C
INSULATION	Class F
OPERATING VOLTAGE RANGE	220 VAC/240 VAC 380 VAC/420 VAC
DIELECTRIC STRENGTH	5mA Max. at 1500 VAC for 1 second
INSULATION RESISTANCE	10M Ω min. @500 VDC
MOTOR TYPE	AC Induction Capacitor Motor
SAFETY	Impedance Protected
TERMINATION	Lead Wire
ROHS COMPLIANCE	Yes
IP LEVEL	IP44 (Special IP Rating On Request)

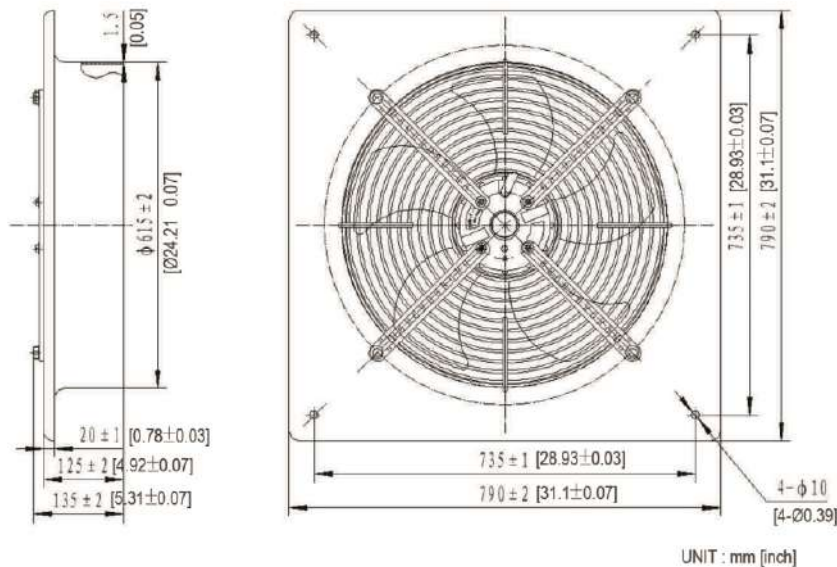
600

mm

SPECIFICATION

MODEL NO.	RATED VOLTAGE(V)	RATED CURRENT(A)	INPUT POWER(W)	SPEED (RPM)	MAX. AIR PRESSURE		MAX. AIR FLOW		NOISE dB(A) @1M
					inchH2O	mmH2O	CFM	m3/min	
AFD600135V2L6PS-B	220/240	2.4	520	900/950			4825/5237	150/156.67	70/80
AFD600135V3L6PT-B	380/420	1.4	520	900/950			4825/5237	150/156.67	70/78
AFD600135V3M4PT-B	380/420	1.6	820	1300/1400			4925/5437	191.67/208.33	73/80

DIMENSION



YTK CO.,LTD.

[Http://www.ytk-group.co.jp](http://www.ytk-group.co.jp)

AIR PERFORMANCE

