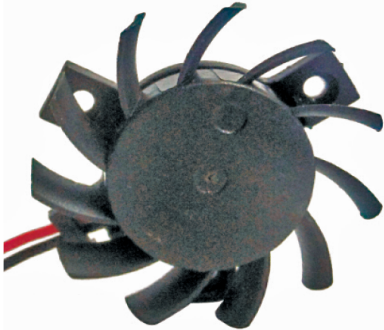


# D

# 4010F-YH

40x40x10mm(1.57"x1.57"x0.39")



IMPELLER	Thermoplastic PBT, UL94V-0
BEARING	Ball or sleeve
OPERATING TEMPERATURE	-10°C to + 60°C
DIELECTRIC STRENGTH	5mA Max. at 500 VAC for 1 minute
INSULATION RESISTANCE	10M $\Omega$ min. @500 VDC
WEIGHT	14.1 g
ROHS COMPLIANCE	Yes
IP LEVEL	IP21 (Special IP Rating On Request)

# 40

mm

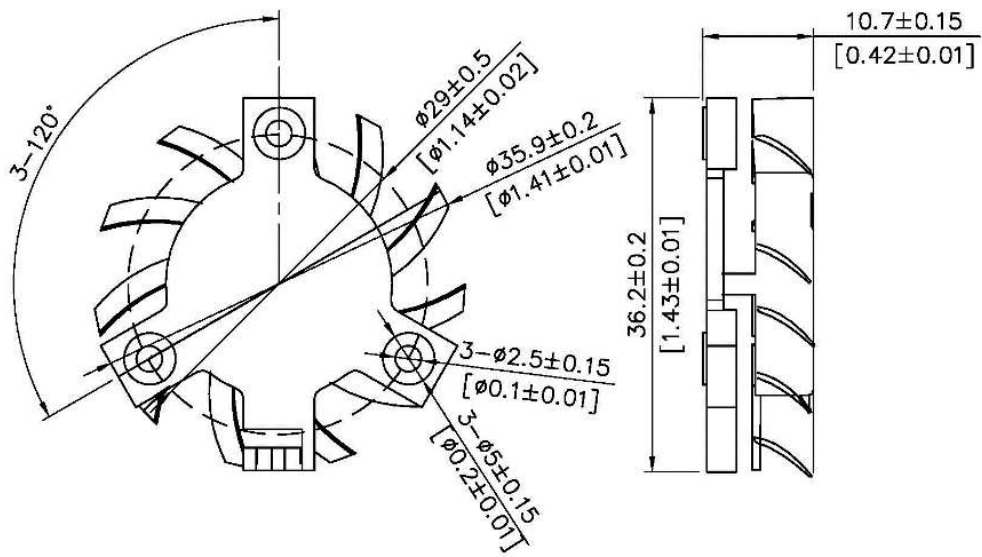
## SPECIFICATION

MODEL NO.	RATED VOLTAGE(V)	RATED CURRENT(A)	INPUT POWER(W)	SPEED (RPM)	MAX. AIR PRESSURE		MAX. AIR FLOW		NOISE dB(A) @1M
					inchH2O	mmH2O	CFM	m3/min	
D4010V24LF-YH	24	0.02	0.48	3000	0.08	1.92	1.90	0.05	18
D4010V24MF-YH	24	0.03	0.72	4000	0.10	2.56	2.53	0.07	22
D4010V24HF-YH	24	0.05	1.20	5000	0.13	3.20	3.16	0.09	27
D4010V24SLF-YH	24	0.09	2.16	6000	0.15	3.84	3.80	0.11	31
D4010V12LF-YH	12	0.03	0.36	3000	0.08	1.92	1.90	0.05	18
D4010V12MF-YH	12	0.06	0.72	4000	0.10	2.56	2.53	0.07	22
D4010V12HF-YH	12	0.10	1.20	5000	0.13	3.20	3.16	0.09	27
D4010V12SLF-YH	12	0.18	2.16	6000	0.15	3.84	3.80	0.11	31
D4010V5LF-YH	5	0.07	0.35	3000	0.08	1.92	1.90	0.05	18
D4010V5MF-YH	5	0.15	0.75	4000	0.10	2.56	2.53	0.07	22
D4010V5HF-YH	5	0.25	1.25	5000	0.13	3.20	3.16	0.09	27
D4010V5SLF-YH	5	0.45	2.25	6000	0.15	3.84	3.80	0.11	31

## DIMENSION

YTK CO.,LTD.

[Http://www.ytk-group.co.jp](http://www.ytk-group.co.jp)

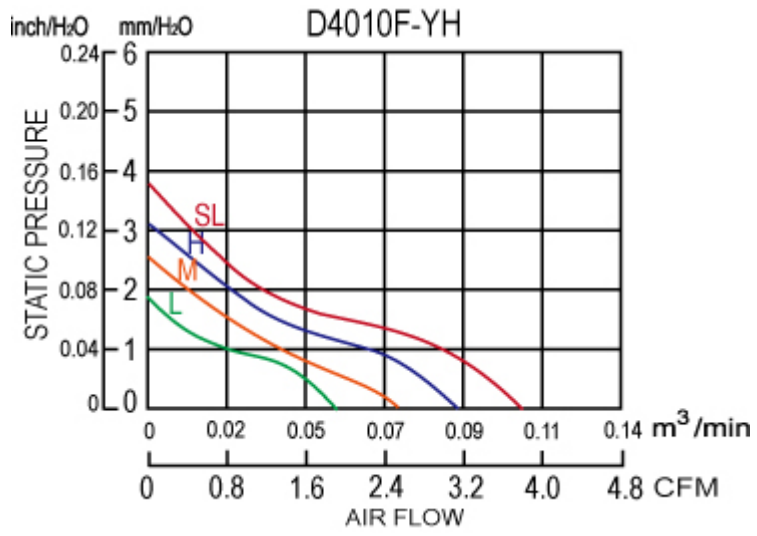


UNIT: mm[inch]

YTK CO.,LTD.

[Http://www.ytk-group.co.jp](http://www.ytk-group.co.jp)

## AIR PERFORMANCE



YTK CO.,LTD.

[Http://www.ytk-group.co.jp](http://www.ytk-group.co.jp)

# D

# 5010F-YH3

CE

50x50x10mm(1.97"x1.97"x0.39")



IMPELLER	Thermoplastic PBT, UL94V-0
BEARING	Ball or sleeve
OPERATING TEMPERATURE	-10°C to + 60°C
DIELECTRIC STRENGTH	5mA Max. at 500 VAC for 1 minute
INSULATION RESISTANCE	10M $\Omega$ min. @500 VDC
WEIGHT	16.9 g
ROHS COMPLIANCE	Yes
IP LEVEL	IP21 (Special IP Rating On Request)

50 mm

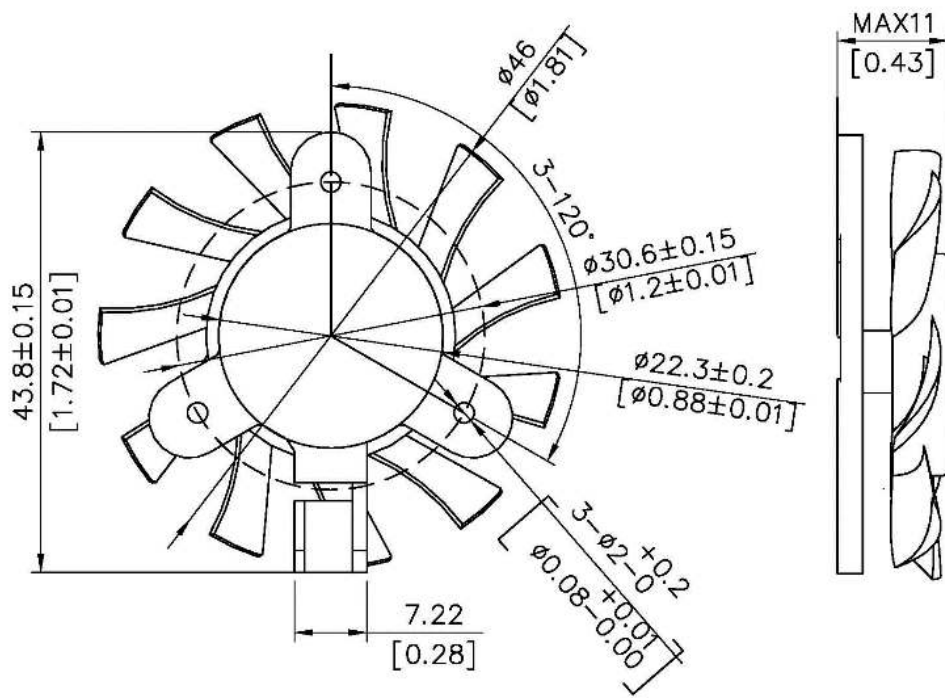
## SPECIFICATION

MODEL NO.	RATED VOLTAGE(V)	RATED CURRENT(A)	INPUT POWER(W)	SPEED (RPM)	MAX. AIR PRESSURE		MAX. AIR FLOW		NOISE dB(A) @1M
					inchH2O	mmH2O	CFM	m3/min	
D5010V24LF-YH3	24	0.03	0.72	4000	0.08	1.96	6.45	0.18	27.0
D5010V24MF-YH3	24	0.05	1.20	5000	0.11	2.84	8.97	0.25	30.5
D5010V24HF-YH3	24	0.08	1.92	6000	0.15	3.85	11.77	0.33	33.8
D5010V24SLF-YH3	24	0.13	3.12	6500	0.19	4.70	14.13	0.40	35.5
D5010V12LF-YH3	12	0.05	0.60	4000	0.08	1.96	6.45	0.18	27.0
D5010V12MF-YH3	12	0.09	1.08	5000	0.11	2.84	8.97	0.25	30.5
D5010V12HF-YH3	12	0.15	1.80	6000	0.15	3.85	11.77	0.33	33.8
D5010V12SLF-YH3	12	0.25	3.00	6500	0.19	4.70	14.13	0.40	35.5
D5010V5LF-YH3	5	0.12	0.60	4000	0.08	1.96	6.45	0.18	27.0
D5010V5MF-YH3	5	0.22	1.10	5000	0.11	2.84	8.97	0.25	30.5

## DIMENSION

YTK CO.,LTD.

[Http://www.ytk-group.co.jp](http://www.ytk-group.co.jp)

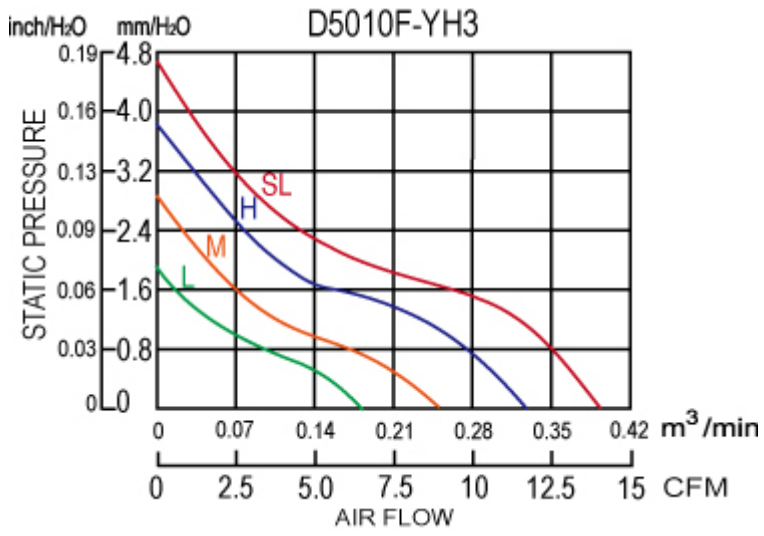


UNIT: mm[inch]

YTK CO.,LTD.

[Http://www.ytk-group.co.jp](http://www.ytk-group.co.jp)

## AIR PERFORMANCE



YTK CO.,LTD.

[Http://www.ytk-group.co.jp](http://www.ytk-group.co.jp)

# D

# 6010F-YH

60x60x10mm(2.36"x2.36"x0.39")



IMPELLER	Thermoplastic PBT, UL94V-0
BEARING	Ball or sleeve
OPERATING TEMPERATURE	-10°C to + 60°C
DIELECTRIC STRENGTH	5mA Max. at 500 VAC for 1 minute
INSULATION RESISTANCE	10M $\Omega$ min. @500 VDC
WEIGHT	20.4 g
ROHS COMPLIANCE	Yes
IP LEVEL	IP21 (Special IP Rating On Request)

# 60

mm

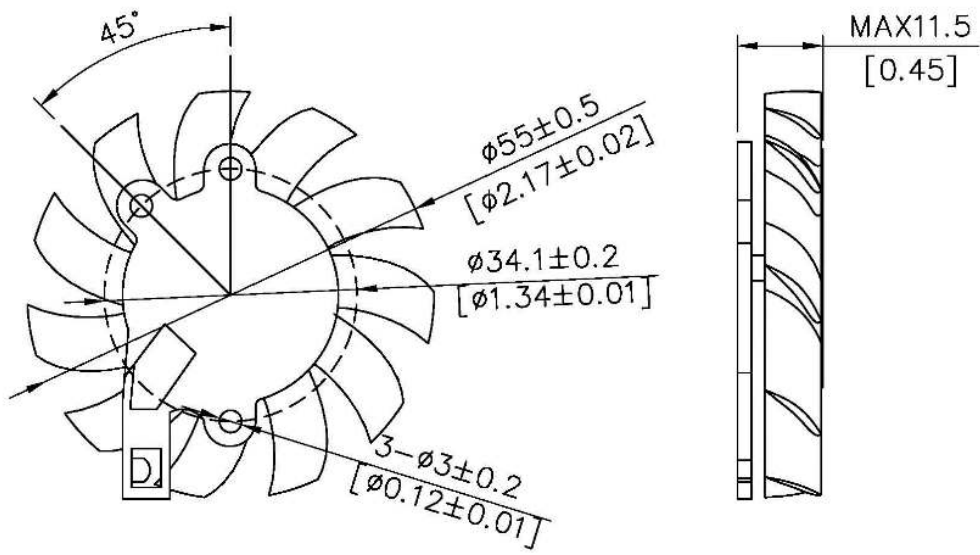
## SPECIFICATION

MODEL NO.	RATED VOLTAGE(V)	RATED CURRENT(A)	INPUT POWER(W)	SPEED (RPM)	MAX. AIR PRESSURE		MAX. AIR FLOW		NOISE dB(A) @1M
					inchH2O	mmH2O	CFM	m3/min	
D6010V24LF-YH	24	0.03	0.72	3000	0.10	2.64	10.74	0.30	21.6
D6010V24MF-YH	24	0.07	1.68	4000	0.14	3.52	14.32	0.41	28.8
D6010V24HF-YH	24	0.12	2.88	4500	0.16	3.97	16.11	0.46	30.8
D6010V24SLF-YH	24	0.18	4.32	5000	0.17	4.41	17.89	0.51	33.1
D6010V12LF-YH	12	0.06	0.72	3000	0.10	2.64	10.74	0.30	21.6
D6010V12MF-YH	12	0.15	1.80	4000	0.14	3.52	14.32	0.41	28.8
D6010V12HF-YH	12	0.25	3.00	4500	0.16	3.97	16.11	0.46	30.8
D6010V12SLF-YH	12	0.37	4.44	5000	0.17	4.41	17.89	0.51	33.1
D6010V5MF-YH	5	0.15	0.75	3000	0.10	2.64	10.74	0.30	21.6
D6010V5LF-YH	5	0.39	1.95	4000	0.14	3.52	14.32	0.41	28.8

## DIMENSION

YTK CO.,LTD.

[Http://www.ytk-group.co.jp](http://www.ytk-group.co.jp)



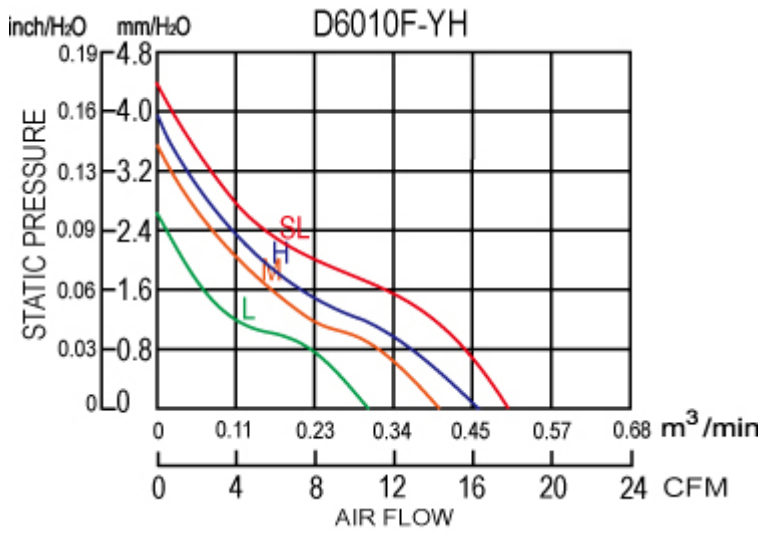
UNIT: mm[inch]

YTK CO.,LTD.

[Http://www.ytk-group.co.jp](http://www.ytk-group.co.jp)



## AIR PERFORMANCE

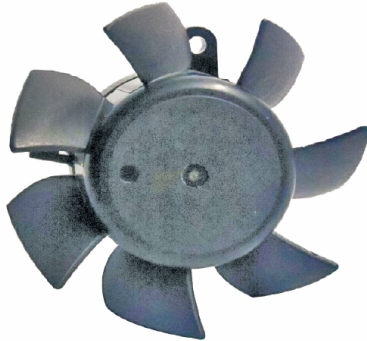


YTK CO.,LTD.

[Http://www.ytk-group.co.jp](http://www.ytk-group.co.jp)

**D****6025F-YH****CE**

60x60x25mm(2.36"x2.36"x0.98")



IMPELLER	Thermoplastic PBT, UL94V-0
BEARING	Ball or sleeve
OPERATING TEMPERATURE	-10°C to + 60°C
DIELECTRIC STRENGTH	5mA Max. at 500 VAC for 1 minute
INSULATION RESISTANCE	10M $\Omega$ min. @500 VDC
WEIGHT	20.4 g
ROHS COMPLIANCE	Yes
IP LEVEL	IP21 (Special IP Rating On Request)

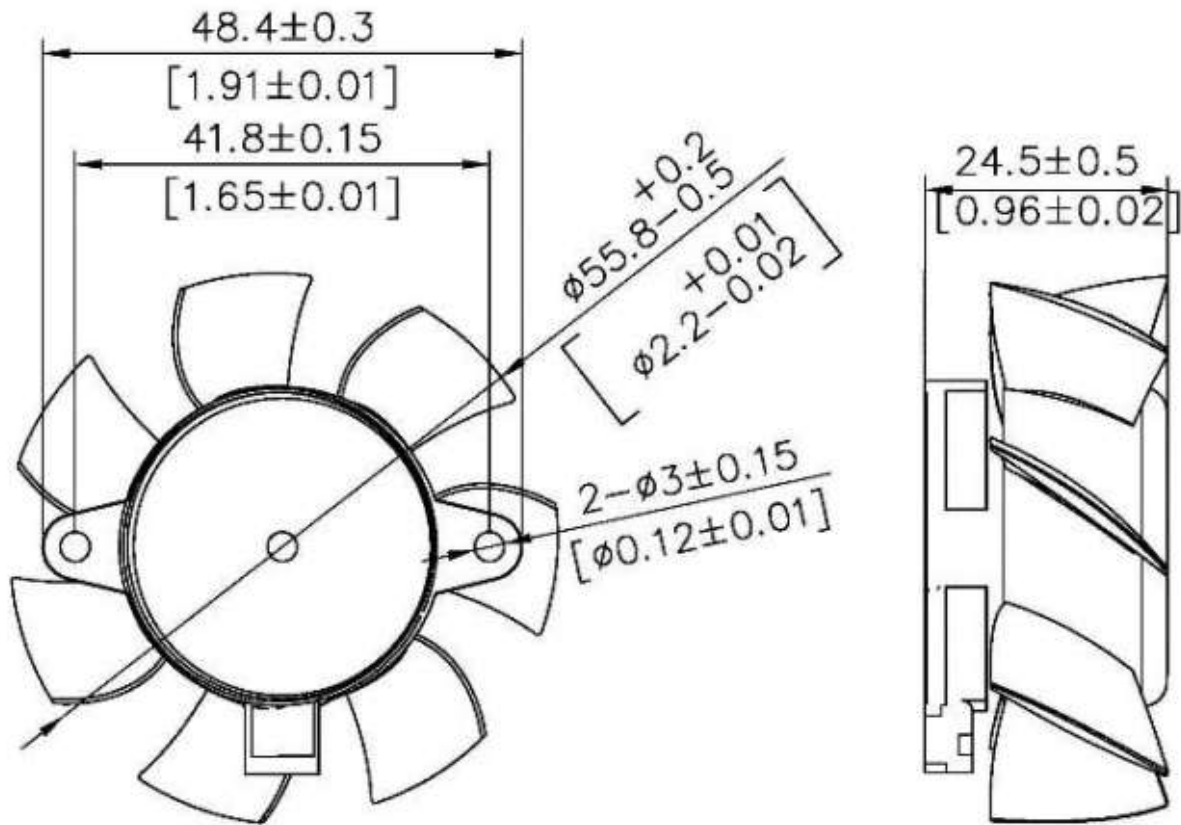
**60** mm**SPECIFICATION**

MODEL NO.	RATED VOLTAGE(V)	RATED CURRENT(A)	INPUT POWER(W)	SPEED (RPM)	MAX. AIR PRESSURE		MAX. AIR FLOW		NOISE dB(A) @1M
					inchH2O	mmH2O	CFM	m3/min	
D6025V24LF-YH	24	0.03	0.72	3000	0.23	5.72	15.36	0.44	26.5
D6025V24MF-YH	24	0.06	1.44	4000	0.30	7.63	20.48	0.58	33.2
D6025V24HF-YH	24	0.14	3.36	5000	0.38	9.53	25.60	0.73	38.4
D6025V24SLF-YH	24	0.25	6.00	6000	0.45	11.40	30.72	0.87	40.3
D6025V12LF-YH	12	0.06	0.72	3000	0.23	5.72	15.36	0.44	26.5
D6025V12MF-YH	12	0.14	1.68	4000	0.30	7.63	20.48	0.58	33.2
D6025V12HF-YH	12	0.28	3.36	5000	0.38	9.53	25.60	0.73	38.4
D6025V12SLF-YH	12	0.48	5.76	6000	0.45	11.4	30.72	0.87	40.3
D6025V5LF-YH	5	0.16	0.80	3000	0.23	5.72	15.36	0.44	26.5
D6025V5MF-YH	5	0.34	1.70	4000	0.30	7.63	20.48	0.58	33.2
D6025V5HF-YH	5	0.70	3.50	5000	0.38	9.53	25.60	0.73	38.4
D6025V5SLF-YH	5	1.22	6.10	6000	0.45	11.4	30.72	0.87	40.3

YTK CO.,LTD.

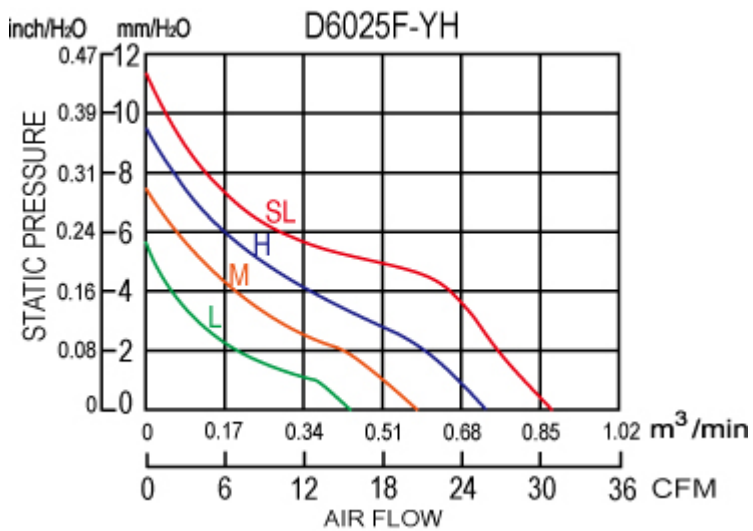
[Http://www.ytk-group.co.jp](http://www.ytk-group.co.jp)

## DIMENSION



UNIT: mm[inch]

## AIR PERFORMANCE



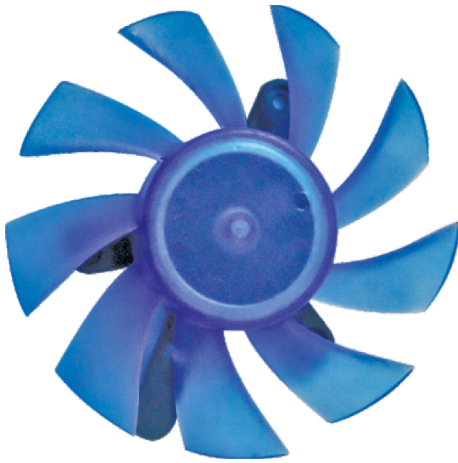
YTK CO.,LTD.

[Http://www.ytk-group.co.jp](http://www.ytk-group.co.jp)

# D

# 8015F-YH1

80x80x15mm(3.15"x3.15"x0.59")



IMPELLER Thermoplastic PBT, UL94V-0  
BEARING Ball or sleeve  
OPERATING TEMPERATURE -10°C to + 60°C  
DIELECTRIC STRENGTH 5mA Max. at 500 VAC for 1 minute  
INSULATION RESISTANCE 10M  $\Omega$  min. @500 VDC  
WEIGHT 46.8 g  
ROHS COMPLIANCE Yes  
IP LEVEL IP21 (Special IP Rating On Request)

# 80

mm

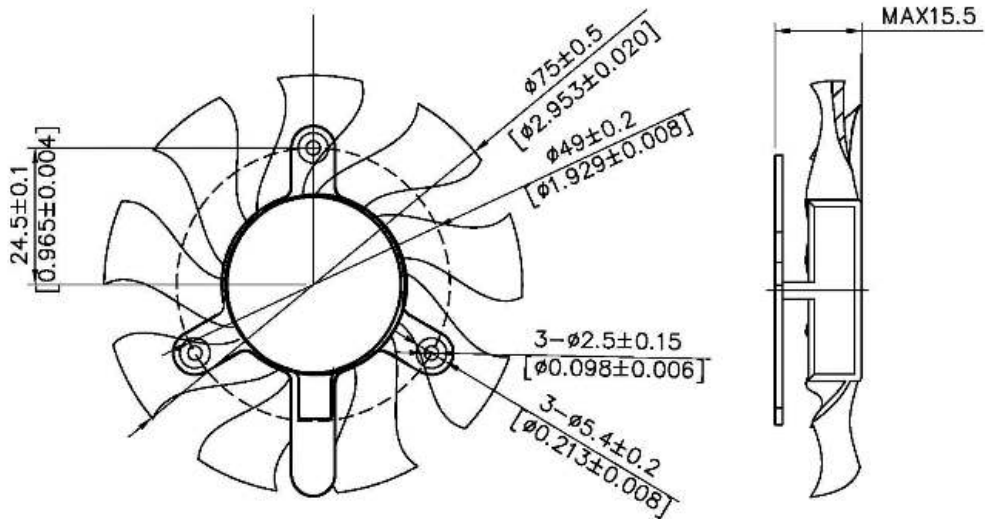
## SPECIFICATION

MODEL NO.	RATED VOLTAGE(V)	RATED CURRENT(A)	INPUT POWER(W)	SPEED (RPM)	MAX. AIR PRESSURE		MAX. AIR FLOW		NOISE dB(A) @1M
					inchH2O	mmH2O	CFM	m3/min	
D8015V24LF-YH1	24	0.02	0.48	1500	0.06	1.43	14.64	0.41	19.8
D8015V24MF-YH1	24	0.03	0.72	2000	0.08	1.91	19.53	0.55	24.6
D8015V24HF-YH1	24	0.06	1.44	2500	0.09	2.39	24.41	0.69	28.7
D8015V24SLF-YH1	24	0.13	3.12	3200	0.12	3.05	31.24	0.88	32.1
D8015V12LF-YH1	12	0.04	0.48	1500	0.06	1.43	14.64	0.41	19.8
D8015V12MF-YH1	12	0.07	0.84	2000	0.08	1.91	19.53	0.55	24.6
D8015V12HF-YH1	12	0.13	1.56	2500	0.09	2.39	24.41	0.69	28.7
D8015V12SLF-YH1	12	0.28	3.36	3200	0.12	3.05	31.24	0.88	32.1
D8015V5LF-YH1	5	0.09	0.45	1500	0.06	1.43	14.64	0.41	19.8
D8015V5MF-YH1	5	0.17	0.85	2000	0.08	1.91	19.53	0.55	24.6
D8015V5HF-YH1	5	0.32	1.60	2500	0.09	2.39	24.41	0.69	28.7
D8015V5SLF-YH1	5	0.70	3.50	3200	0.12	3.05	31.24	0.88	32.1

## DIMENSION

YTK CO.,LTD.

[Http://www.ytk-group.co.jp](http://www.ytk-group.co.jp)

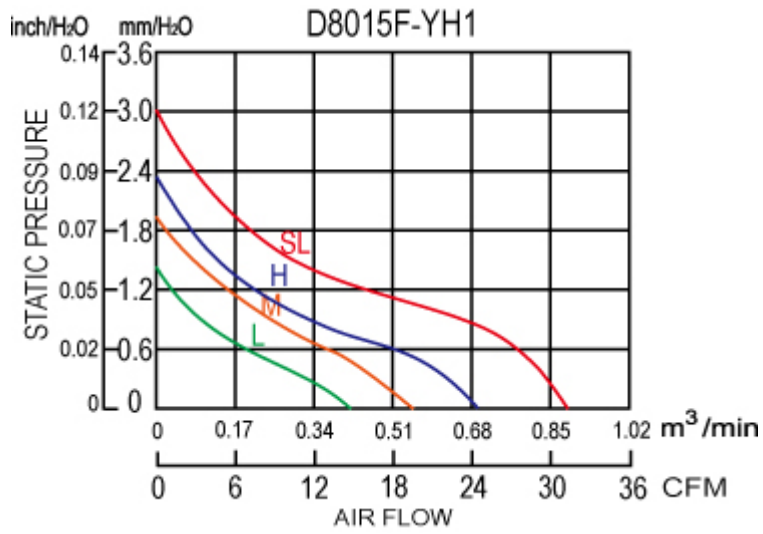


UNIT: mm[inch]

YTK CO.,LTD.

[Http://www.ytk-group.co.jp](http://www.ytk-group.co.jp)

## AIR PERFORMANCE



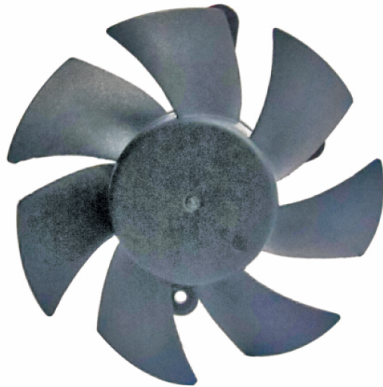
YTK CO.,LTD.

[Http://www.ytk-group.co.jp](http://www.ytk-group.co.jp)

# D

# 8025F-YH

80x80x25mm(3.15"x3.15"x0.98")



IMPELLER Thermoplastic PBT, UL94V-0  
 BEARING Ball or sleeve  
 OPERATING TEMPERATURE -10°C to + 60°C  
 DIELECTRIC STRENGTH 5mA Max. at 500 VAC for 1 minute  
 INSULATION RESISTANCE 10M Ω min. @500 VDC  
 WEIGHT 48.8 g  
 ROHS COMPLIANCE Yes  
 IP LEVEL IP21 (Special IP Rating On Request)

# 80 mm

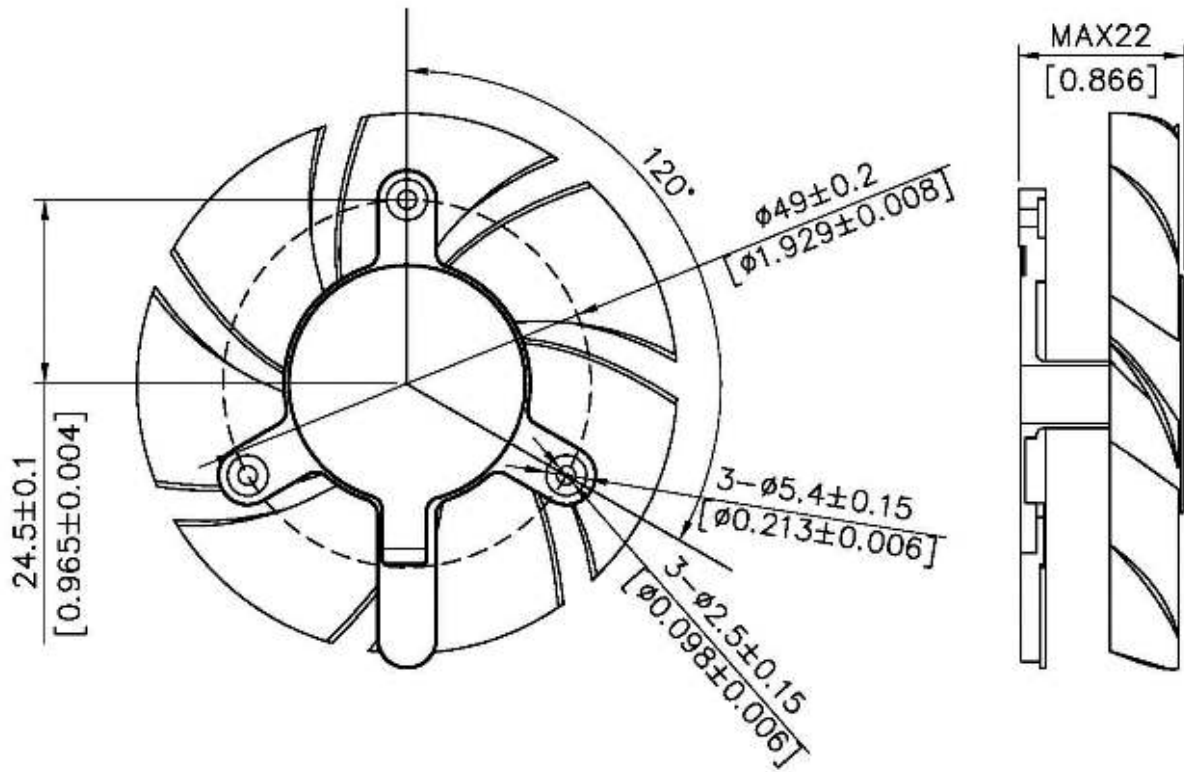
## SPECIFICATION

MODEL NO.	RATED VOLTAGE(V)	RATED CURRENT(A)	INPUT POWER(W)	SPEED (RPM)	MAX. AIR PRESSURE		MAX. AIR FLOW		NOISE dB(A) @1M
					inchH2O	mmH2O	CFM	m3/min	
D8025V24XXLF-YH	24	0.02	0.48	2000	0.15	3.78	23.48	0.66	25.2
D8025V24XLF-YH	24	0.04	0.96	2500	0.19	4.72	29.35	0.83	28.3
D8025V24LF-YH	24	0.07	1.68	3000	0.22	5.67	35.22	1.00	35.2
D8025V24MF-YH	24	0.11	2.64	3500	0.26	6.61	41.09	1.16	37.6
D8025V24HF-YH	24	0.17	4.08	4000	0.30	7.55	46.96	1.33	42.9
D8025V24SLF-YH	24	0.26	6.24	4500	0.33	8.50	52.83	1.50	49.1
D8025V12XXLF-YH	12	0.05	0.60	2000	0.15	3.78	23.48	0.66	25.2
D8025V12XLF-YH	12	0.08	0.96	2500	0.19	4.72	29.35	0.83	28.3
D8025V12LF-YH	12	0.14	1.68	3000	0.22	5.67	35.22	1.00	35.2
D8025V12MF-YH	12	0.23	2.76	3500	0.26	6.61	41.09	1.16	37.6
D8025V12HF-YH	12	0.36	4.32	4000	0.30	7.55	46.96	1.33	42.9
D8025V12SLF-YH	12	0.55	6.60	4500	0.33	8.50	52.83	1.50	49.1
D8025V5XXL-YH	5	0.13	0.65	2000	0.15	3.78	23.48	0.66	25.2
D8025V5XL-YH	5	0.21	1.05	2500	0.19	4.72	29.35	0.83	28.3
D8025V5LF-YH	5	0.35	1.75	3000	0.22	5.67	35.22	1.00	35.2
D8025V5MF-YH	5	0.57	2.85	3500	0.26	6.61	41.09	1.16	37.6
D8025V5HF-YH	5	0.92	4.60	4000	0.30	7.55	46.96	1.33	42.9
D8025V5SLF-YH	5	1.39	6.95	4500	0.33	8.50	52.83	1.50	49.1

YTK CO.,LTD.

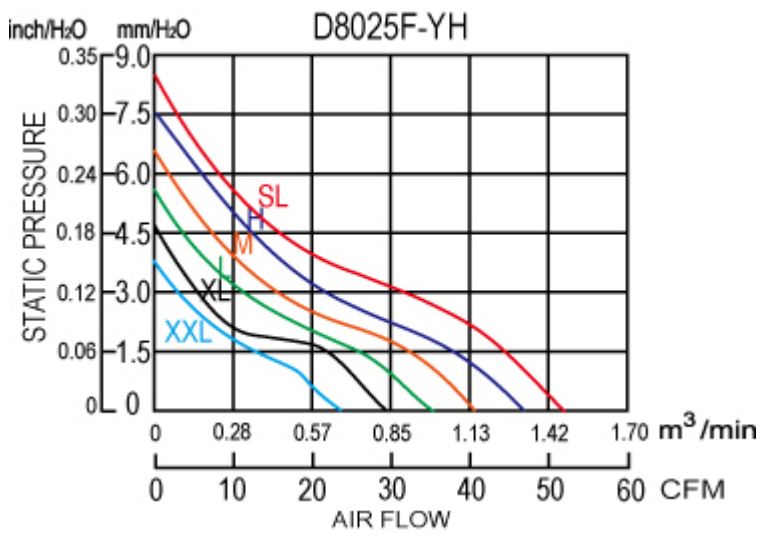
[Http://www.ytk-group.co.jp](http://www.ytk-group.co.jp)

## DIMENSION



UNIT: mm[inch]

## AIR PERFORMANCE



YTK CO.,LTD.

[Http://www.ytk-group.co.jp](http://www.ytk-group.co.jp)



# D 9010F-YH

CE

90x90x10mm(3.54"x3.54"x0.39")



IMPELLER	Thermoplastic PBT, UL94V-0
BEARING	Ball or sleeve
OPERATING TEMPERATURE	-10°C to + 60°C
DIELECTRIC STRENGTH	5mA Max. at 500 VAC for 1 minute
INSULATION RESISTANCE	10M $\Omega$ min. @500 VDC
WEIGHT	65 g
ROHS COMPLIANCE	Yes
IP LEVEL	IP21 (Special IP Rating On Request)

90 mm

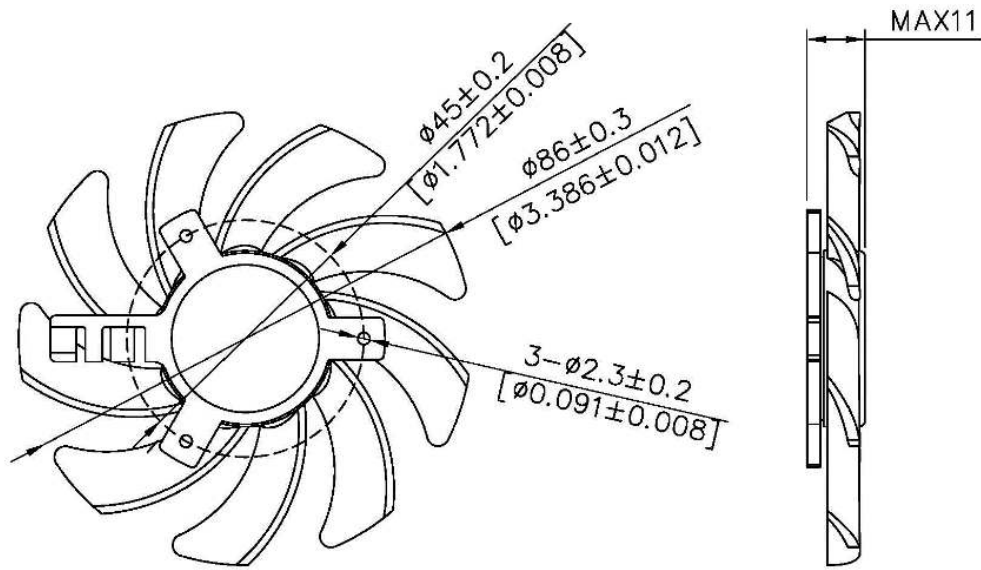
## SPECIFICATION

MODEL NO.	RATED VOLTAGE(V)	RATED CURRENT(A)	INPUT POWER(W)	SPEED (RPM)	MAX. AIR PRESSURE		MAX. AIR FLOW		NOISE dB(A) @1M
					inchH2O	mmH2O	CFM	m3/min	
D9010V24XLF-YH	24	0.02	0.48	1500	0.05	1.25	15.65	0.44	22.3
D9010V24LF-YH	24	0.03	0.72	2000	0.06	1.63	20.75	0.59	25.8
D9010V24MF-YH	24	0.05	1.20	2500	0.08	2.03	25.94	0.73	30.6
D9010V24HF-YH	24	0.08	1.92	3000	0.10	2.45	31.32	0.89	33.9
D9010V24SLF-YH	24	0.15	3.60	3500	0.11	2.86	36.21	1.03	37.8
D9010V12XLF-YH	12	0.03	0.36	1500	0.05	1.25	15.65	0.44	22.3
D9010V12LF-YH	12	0.07	0.84	2000	0.06	1.63	20.75	0.59	25.8
D9010V12MF-YH	12	0.11	1.32	2500	0.08	2.03	25.94	0.73	30.6
D9010V12HF-YH	12	0.16	1.92	3000	0.10	2.45	31.32	0.89	33.9
D9010V12SLF-YH	12	0.32	3.84	3500	0.11	2.86	36.21	1.03	37.8
D9010V5XL-YH	5	0.08	0.40	1500	0.05	1.25	15.65	0.44	22.3
D9010V5LF-YH	5	0.16	0.80	2000	0.06	1.63	20.75	0.59	25.8
D9010V5MF-YH	5	0.26	1.30	2500	0.08	2.03	25.94	0.73	30.6
D9010V5HF-YH	5	0.38	1.90	3000	0.10	2.45	31.32	0.89	33.9

## DIMENSION

YTK CO.,LTD.

[Http://www.ytk-group.co.jp](http://www.ytk-group.co.jp)

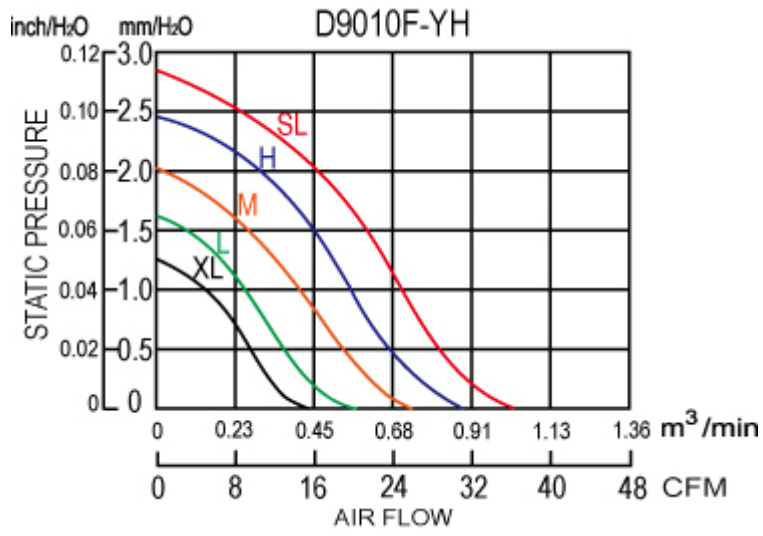


UNIT: mm[inch]

YTK CO.,LTD.

[Http://www.ytk-group.co.jp](http://www.ytk-group.co.jp)

## AIR PERFORMANCE



YTK CO.,LTD.

[Http://www.ytk-group.co.jp](http://www.ytk-group.co.jp)

# D 9017F-YH

CE  
90x90x17mm(3.54"x3.54"x0.67")



IMPELLER Thermoplastic PBT, UL94V-2  
BEARING Ball or sleeve  
OPERATING TEMPERATURE -10°C to + 60°C  
DIELECTRIC STRENGTH 5mA Max. at 500 VAC for 1 minute  
INSULATION RESISTANCE 10M  $\Omega$  min. @500 VDC  
WEIGHT 86.25 g  
ROHS COMPLIANCE Yes  
IP LEVEL IP21 (Special IP Rating On Request)

90 mm

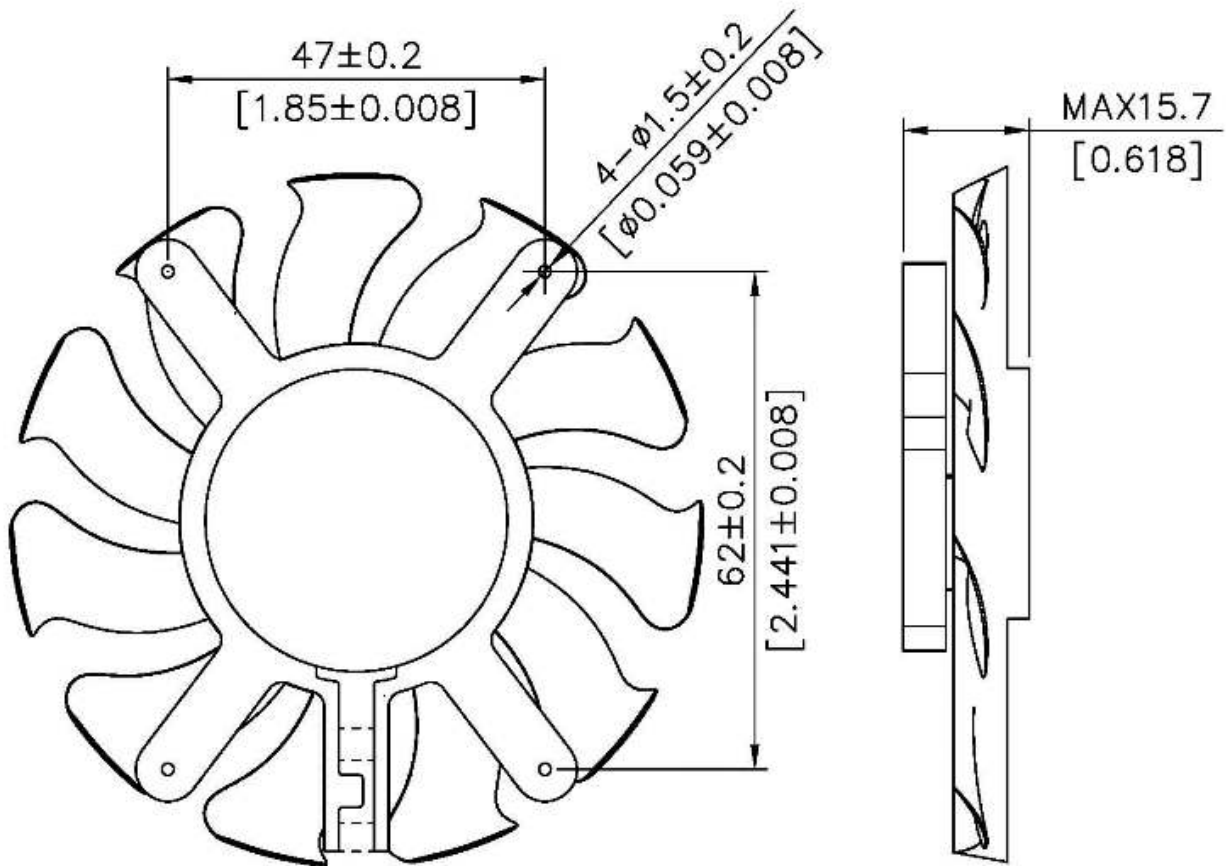
## SPECIFICATION

MODEL NO.	RATED VOLTAGE(V)	RATED CURRENT(A)	INPUT POWER(W)	SPEED (RPM)	MAX. AIR PRESSURE		MAX. AIR FLOW		NOISE dB(A) @1M
					inchH2O	mmH2O	CFM	m3/min	
D9017V24XLF-YH	24	0.02	0.48	1500	0.12	3.07	22.87	0.65	22.3
D9017V24LF-YH	24	0.03	0.72	2000	0.16	4.09	30.49	0.86	25.8
D9017V24MF-YH	24	0.07	1.68	2500	0.20	5.11	38.11	1.08	30.6
D9017V24HF-YH	24	0.13	3.12	3000	0.24	6.13	45.73	1.30	33.9
D9017V24SLF-YH	24	0.22	5.28	3500	0.28	7.16	53.36	1.51	37.8
D9017V12XLF-YH	12	0.03	0.36	1500	0.12	3.07	22.87	0.65	22.3
D9017V12LF-YH	12	0.07	0.84	2000	0.16	4.09	30.49	0.86	25.8
D9017V12MF-YH	12	0.14	1.68	2500	0.20	5.11	38.11	1.08	30.6
D9017V12HF-YH	12	0.28	3.36	3000	0.24	6.13	45.73	1.30	33.9
D9017V12SLF-YH	12	0.47	5.64	3500	0.28	7.16	53.36	1.51	37.8
D9017V5XLF-YH	5	0.08	0.40	1500	0.12	3.07	22.87	0.65	25.8
D9017V5LF-YH	5	0.18	0.90	2000	0.16	4.09	30.49	0.86	30.6
D9017V5MF-YH	5	0.35	1.75	2500	0.20	5.11	38.11	1.08	33.9

YTK CO.,LTD.

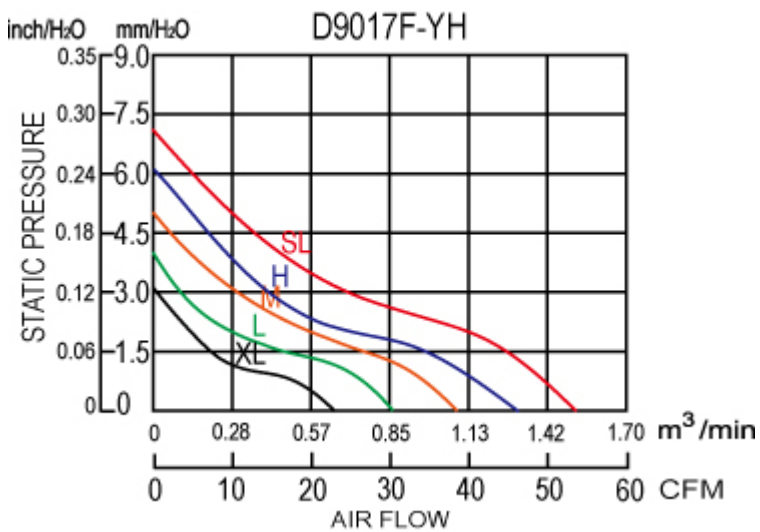
[Http://www.ytk-group.co.jp](http://www.ytk-group.co.jp)

## DIMENSION



UNIT: mm[inch]

## AIR PERFORMANCE

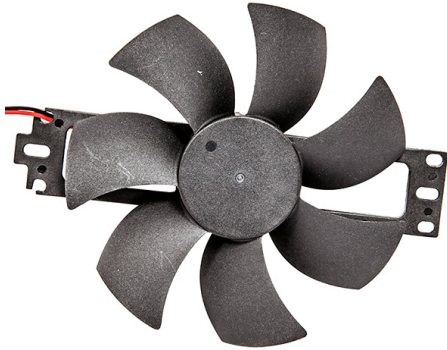


YTK CO.,LTD.

[Http://www.ytk-group.co.jp](http://www.ytk-group.co.jp)

**D****12025F-K****CE**

120x120x25mm(4.72"x4.72"x0.98")



IMPELLER	Thermoplastic PBT, UL94V-0
BEARING	Sleeve
OPERATING TEMPERATURE	-10°C to + 60°C
DIELECTRIC STRENGTH	5mA Max. at 500 VAC for 1 minute
INSULATION RESISTANCE	10M Ω min. @500 VDC
WEIGHT	83 g
ROHS COMPLIANCE	Yes
ADDITIONAL FUNCTION	FG
IP LEVEL	IP21 (Special IP Rating On Request)

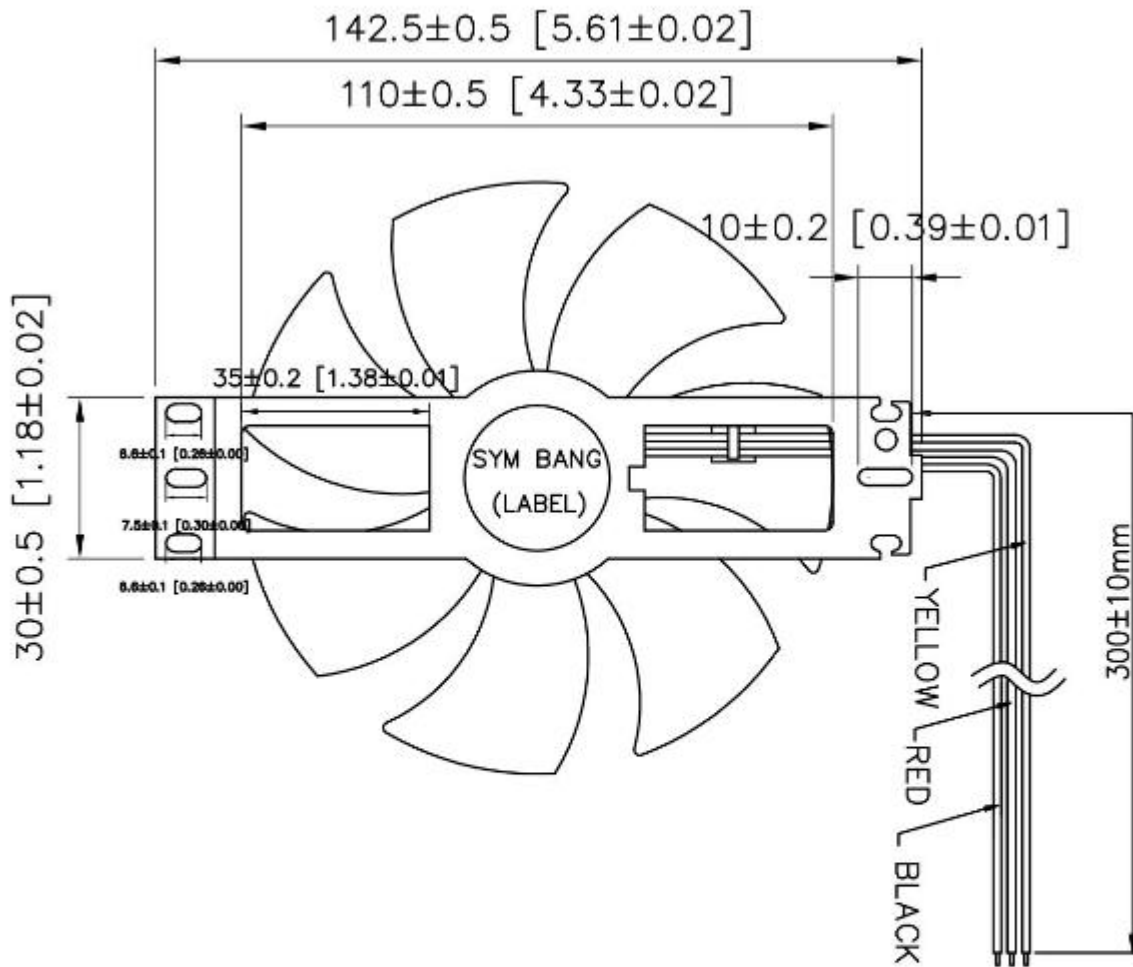
**120**mm**SPECIFICATION**

MODEL NO.	RATED VOLTAGE(V)	RATED CURRENT(A)	INPUT POWER(W)	SPEED (RPM)	MAX. AIR PRESSURE		MAX. AIR FLOW		NOISE dB(A) @1M
					inchH2O	mmH2O	CFM	m3/min	
D12025V24MSF-K-FG	24	0.21	5.04	2200	0.18	4.6	80.6	2.28	27

YTK CO.,LTD.

[Http://www.ytk-group.co.jp](http://www.ytk-group.co.jp)

## DIMENSION



### NOTE:

**1 LEAD WIRES: WIRES UL 1007,#26 AWG**

**BLACK WIRE**-----(-)

**RED WIRE**-----(+)

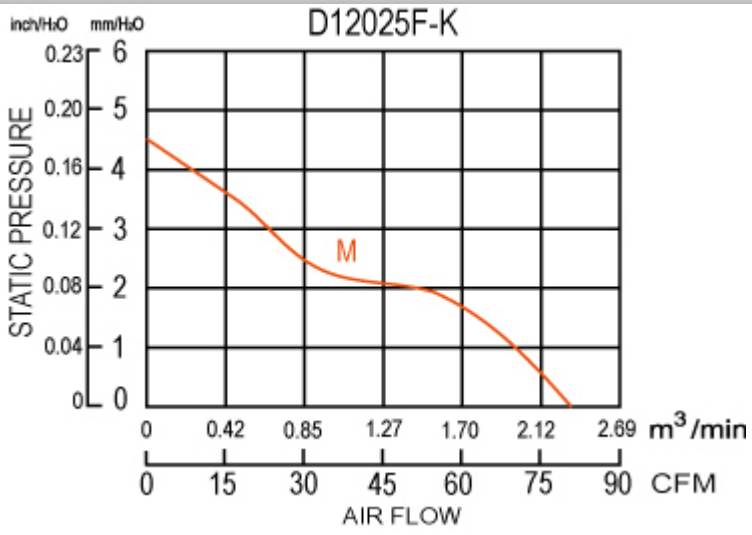
**YELLOW WIRE**----- ( FG)

UNIT: mm[inch]

## AIR PERFORMANCE

YTK CO.,LTD.

[Http://www.ytk-group.co.jp](http://www.ytk-group.co.jp)



YTK CO.,LTD.

[Http://www.ytk-group.co.jp](http://www.ytk-group.co.jp)