



1、产品特点/ Product features	40
2、技术参数/ Technical data	40
3、安装联接尺寸/ Installation Dimensions	
OMH 安装连接尺寸 OMH Installation Dimensions	41
OMH 轴伸连接尺寸 OMH Output Shaft Dimensions	42
4、订货信息/ Order Information	43

产品特点/ Product features

OMH系列摆线液压马达是一种轴配流液压马达，该系列马达使用摆线式转定子付，具有在高压下工作并能自动补偿的结构，从而使整机具有高效保持性好，工作寿命长。

其特点：

- 1、采用先进的转定子参数设计，启动压力低，效率较高，并且保持性好，运转平稳。
- 2、采用高压轴密封，可承载较高背压，允许串、并联使用。
- 3、联动轴结构优化设计，马达使用寿命长。
- 4、配流系统参数优化设计，可满足低噪声要求。
- 5、马达结构紧凑，安装方便。

OMH series motor adapt the advanced Geroler gear set design with shaft distribution flow, which can automatically compensate in operating with high pressure, provide reliable and smooth operation, high efficiency and long life.

Characteristic features:

- 1、Advanced manufacturing devices for the Geroler gear set, which use low pressure of start-up, provide smooth, reliable operation and high efficiency.
- 2、Shaft seal can bear high pressure of back and the motor can be used in parallel or series.
- 3、Special design in the driver-linker and prolong operating life.
- 4、Special design for distribution system can meet the requirement of low noise of unit.
- 5、Compact volume and easy installation.

技术参数/ Technical data

以下表格技术参数针对OMH系列马达轴径为Φ35，花键轴Φ31.75和锥轴Φ35
Technical parameters for OMH series motor shaft diameter Φ35, Spline shaft Φ31.75 and Cone shaft Φ35

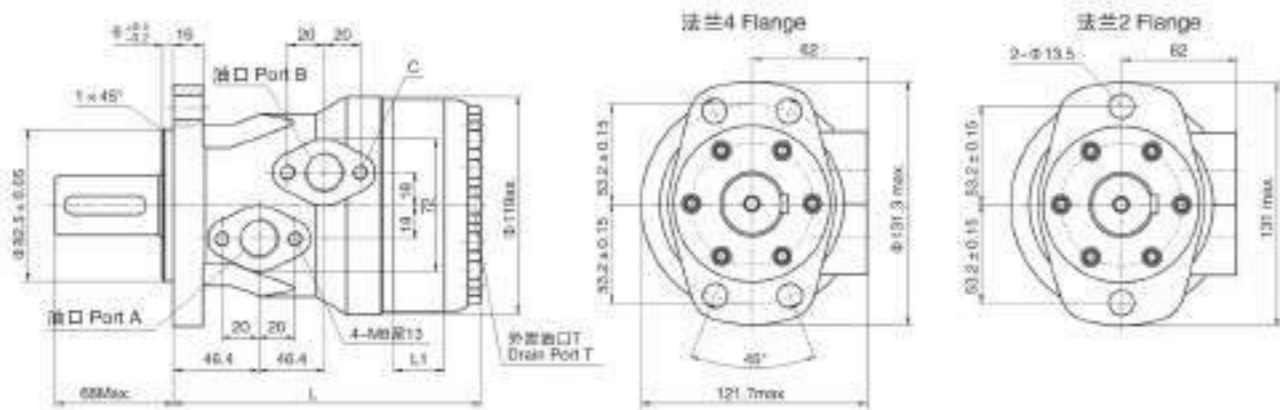
型号 Type	OMH 200	OMH 250	OMH 315	OMH 400	OMH 500
排量 (cm ³ /rev.) Geometric displacement	203.2	256.9	316.1	406.4	489.2
最高转速 Max. speed (rpm)	额定 rated	290	230	180	145
	连续 cont.	368	290	238	183
	断续 int.	439	348	282	220
最大转矩 Max. torque (N.m)	额定 rated	400	500	600	705
	连续 cont.	510	621	740	850
	断续 int.	579	702	827	990
最大输出功率 Max. output (kw)	额定 rated	651	790	980	1092
	连续 cont.	18	16	14	12.5
	断续 int.	18.5	16.5	15.5	15
最高工作压力 Max. pressure drop (MPa)	额定 rated	14.0	14.0	14.0	12.5
	连续 cont.	17.5	17.5	17.5	15.5
	断续 int.	20	20	20	19
最大流量 Max. flow (L/min)	峰值 peak	22.5	22.5	22.5	21
	额定 rated	60	60	60	60
	连续 cont.	75	75	75	75
重量 Weight (kg)	断续 int.	90	90	90	80
		10.5	11	11.5	12.3

OMH系列/ OMH Serie

型号 Type	最大进油压力 Max.inlet pressure	最大背压 (接外泄油口) Max.return pressure with drain line
OMH200-500 (MPa)	连续 cont.	200
	断续 int.	225
	峰值 peak	250

- * 额定转速、扭矩是指在额定流量、压力下的输出值。
- * 连续值是指该排量马达可以连续工作的最大值。
- * 断续值是指该排量马达在1分钟内工作6秒的最大值。
- * 峰值是指该排量马达在1分钟内工作0.6秒的最大值。
- * Rated speed and rated torque: output value of speed and torque under rated flow and rated pressure;
- * Continuous pressure: Max.value of operating motor continuously;
- * Intermittent pressure: Max.value of operating motor in 6 seconds per minute;
- * Peak pressure: Max.value of operating motor in 0.6 second per minute.

OMH 安装连接尺寸/ OMH Installation Dimensions

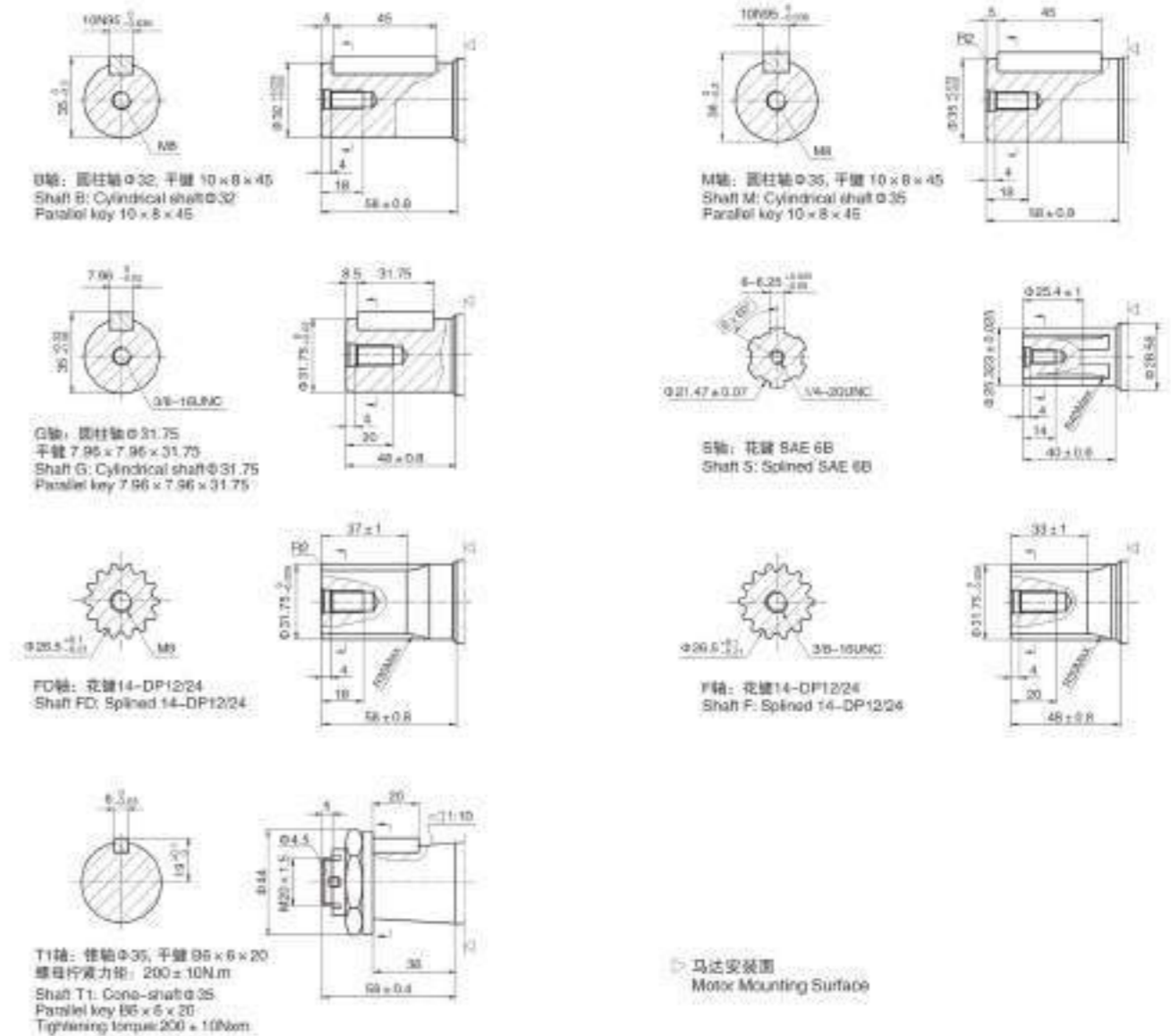


型号 Type	OMH160	OMH200	OMH250	OMH315	OMH400	OMH500
L	162	166	175	184	195	206
L1	21	27	34	42	54	65

连接形式 Mounting	代号 Code	D(深) (depth)	M(深) (depth)	S(深) (depth)	P(深) (depth)	R(深) (depth)
P (A,B)		G1/2 (15)	M22 x 1.5(15)	7/8-14 O-ring (15)	1/2-14NPTF (15)	PT (RC) 1/2 (15)
C		4-M8(13)	4-M8(13)	4-5/16-18UNC(13)	4-5/16-18UNC(13)	4-M8(13)
T		G1/4 (12)	M14 x 1.5(12)	7/16-20UNF (12)	7/16-20UNF (12)	PT(RC)1/4 1/4

OMH系列/ OMH Serie

OMH 轴伸连接尺寸/ OMH Output Shaft Dimensions



订货信息/ Order Information

1	2	3	4	5	6	7	8
型号	排量	法兰、止口	轴伸	端口、外接口	转向工况	油漆选项	特殊功能
OMH	B 12.5 20 32 40 50	2-φ13.5菱形, 止口φ82.5×8 4-φ13.5菱形, 止口φ82.5×8	B 轴伸φ32, 平键10×8×45 M 轴伸φ35, 平键10×8×45 F 轴伸φ31.75, 花键14-DP12/24 FD 轴伸φ31.75, 花键14-DP12/24 G 轴伸φ31.75, 平键7.96×7.96×31.75 T1 轴伸φ35, 平键9.8×6×20 S 轴伸φ25.4, 花键, 符合SAE 6B	D G1/2英寸4×M8, G1/4 M M22×1.5英寸4×M8, M14×1.5 S 7/8-14 O-ring密封-M8, 7/16-20UNF F 1/2-14 NPTF密封-M8, 7/16-20UNF R PT(Rc)1/2英寸4-M8, PT(Rc)1/4	无 标准 R 反向	00 不油漆 无 蓝漆 B 黑漆 S 银灰漆	无 0 无外泄 F 自由转动 LS 低转速

注: 用户在使用订货信息时, 须马达结构、排量、安装法兰、轴伸、进出口口径等信息, 选择左面作色选项的代码按上面格式写给我们即可。若所选项不在上述表中或特殊要求, 请与我们联系。
马达具体的安装连接尺寸请与销售或技术人员联系确认。

1	2	3	4	5	6	7	8
Type	Displacement	Flange	Output shaft	Ports and drain port	Rotation direction	Part	Unusually function
OMH	B 12.5 20 32 40 50	2 4×φ13.5 Rhomb x flange, PAHφ82.5×8 4 2×φ13.5 Rhomb x flange, PAHφ82.5×8	B Shaftφ32, parallel key 10×8×45 M Shaftφ35, parallel key 10×8×45 F Shaftφ31.75, splined key 14-DP12/24 FD Long Shaftφ31.75, splined key 14-DP12/24 G Shaftφ32, parallel key 7.96×7.96×31.75 T1 Cone shaftφ35, parallel key 9.8×6×20 S Shaftφ25.4, parallel key SAE 6B	D G1/2 Manifold mount 4×M8, G1/4 M M22×1.5 Manifold mount 4×M8, M14×1.5 S 7/8-14 O-ring Manifold mount 4×5/16-18UNC, 7/16-20UNF F 1/2-14 NPTF Manifold mount 4×5/16-18UNC, 7/16-20UNF R PT(Rc) 1/2 Manifold mount 4×M8, PT(Rc)1/4	00 No part Omit Blue B Black S Silver grey	00 Omit Omit Blue B Black S Silver grey	Omit Standard 0 No drain F Free Running LS Low Speed

Note: When the table is used, please fill the code of right rows in the table and give us, which the code information is consists of construction, displacement, mounting flange output shaft and ports. If the specification is not in the table or you have specific requirements, please contact us.



1、产品特点/ Product features	45
2、技术参数/ Technical data	45
3、安装联接尺寸/ Installation Dimensions	
OMSY 安装连接尺寸 OMSY Installation Dimensions	46
OMSYS 安装连接尺寸 OMSYS Installation Dimensions	49
OMSY 安装连接尺寸 OMSY Installation Dimensions	51
OMSY 轴伸连接尺寸 OMSY Output Shaft Dimensions	52
4、订货信息/ Order Information	54

产品特点/ Product features

OMSY系列摆线液压马达是一种先进的端面配流结构液压马达。该马达使用摆线式转定子付，具有工作压力高，工作效率高，整机高效保持性好，工作寿命长的特点。可在标准结构的基础上根据用户需求进行多功能的变型设计。

其特点：

- 1、采用先进的转定子参数设计，启动压力低，效率高并保持性好；
- 2、工作压力高，输出扭矩大。采用圆锥滚子轴承结构，承受轴、径向负荷能力强，使马达可直接驱动工作机构，使用范围扩大；
- 3、先进端面配流结构，使马达配流精度高，磨损后自动补偿功能强，确保高的容积效率、马达长寿命，确保马达转速平稳、负载速度特性平稳；
- 4、能够驱动更大的负载，工作压力等级更高。

OMSY new series motor adapt the advanced Geroler gear set designed with disc distribution flow and high pressure. The unit can be supplied the individual variant in operating multifunction in accordance with requirement of applications.

Characteristic features:

- 1、Advanced manufacturing devices for the Geroler gear set, which use low pressure of start-up, provide smooth and reliable operation and high efficiency.
- 2、The output shaft adapts in tapered roller bearings that permit high axial and radial forces. The case offers capacities of high pressure and high torque in the wide of applications.
- 3、Advanced design in disc distribution flow, which can automatically compensate in operating with high volume efficiency and long life, provide smooth and reliable operation.
- 4、The new series motor is suitable for vehicles with greater loads and pressure drop.

技术参数/ Technical data

型号 Type	OMSY OMSYS 80	OMSY OMSYS 100	OMSY OMSYS 125	OMSY OMSYS 160	OMSY OMSYS 200	OMSY OMSYS 250	OMSY OMSYS 315	OMSY OMSYS 400	OMSY OMSYS 475
排量 (cm ³ /rev.) Geometric displacement	80.6	100.8	125	154	194	243	311	394	475
最高转速 (rpm) Max. speed	额定 rated	675	540	432	337	270	216	171	135
	连续 cont.	800	748	600	470	375	300	240	185
	断续 int.	988	900	720	560	450	360	280	225
最大扭矩 (N.m) Max. torque	额定 rated	175	220	273	445	505	620	700	765
	连续 cont.	225	290	365	485	586	708	880	910
	断续 int.	305	390	480	590	705	860	1000	990
最大输出功率 (kw) Max. output	额定 rated	12	12.4	12.4	12.4	12.4	11.2	9.6	8.8
	连续 cont.	16	18	18	18.1	18.1	18	17	9
	断续 int.	20	22	23	25	24	23.8	20.2	11
最高工作压力 Max. pressure drop (MPa)	额定 rated	16	16	16	19	19	16	14	12
	连续 cont.	20.5	20.5	20.5	21	21	20	16	14
	断续 int.	27.5	27.5	27.5	26	25	25	24	19
最大流量 (L/min) Max. flow	连续 cont.	65	75	75	75	75	75	75	75
	断续 int.	80	90	90	90	90	90	90	90
	峰值 peak	29.5	29.5	29.5	28	27	27	26	21
最高进油压力 Max. inlet pressure (MPa)	额定 rated	21	21	21	21	21	21	21	21
	连续 cont.	25	25	25	25	25	25	25	25
	断续 int.	30	30	30	30	30	30	30	30
重量 Weight (kg)	9.8	10	10.3	10.7	11.1	11.6	12.3	13.2	14.3

* 额定转速、扭矩是指在额定流量、压力下的输出值。

* 连续值是指该排量马达可以连续工作的最大值。

* 断续值是指该排量马达在1分钟内工作6秒的最大值。

* 峰值是指该排量马达在1分钟内工作0.6秒的最大值。

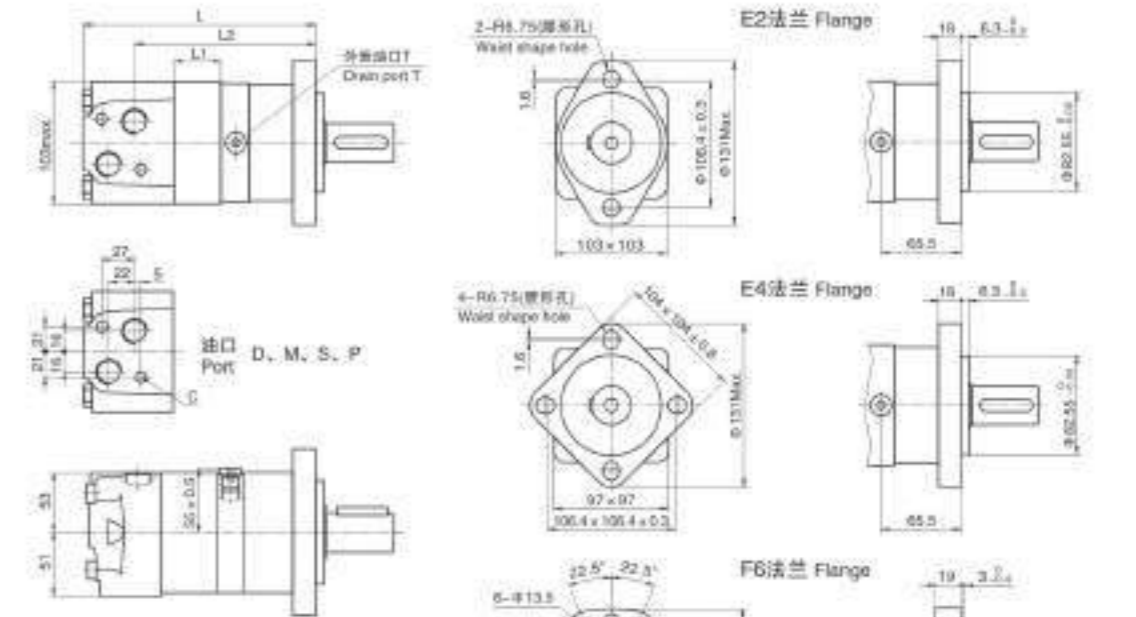
* Rated speed and rated torque: output value of speed and torque under rated flow and rated pressure;

* Continuous pressure: Max. value of operating motor continuously;

* Intermittent pressure: Max. value of operating motor in 6 seconds per minute;

* Peak pressure: Max. value of operating motor in 0.6 second per minute.

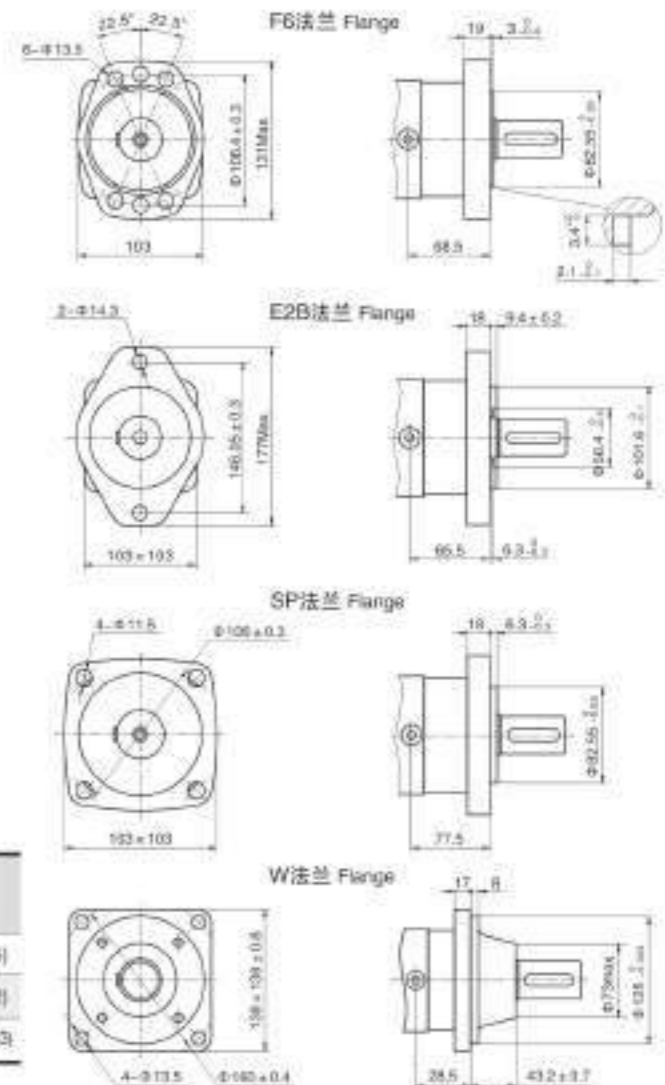
OMSY 安装连接尺寸/ OMSY Installation Dimensions



型号 Type	L	L1	L2
OMSY-80	170	16	126.5
OMSY-100	174	20	130.5
OMSY-125	179	25	135.5
OMSY-160	181	27	137.5
OMSY-200	188	34	144.5
OMSY-250	196	42	152.5
OMSY-315	208	54	164.5
OMSY-400	223	69	179.5
OMSY-475	237	83	193.5

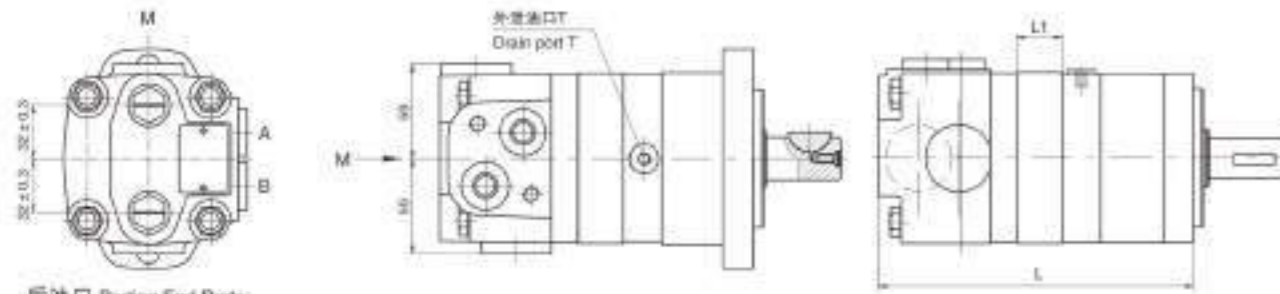
型号 Type	L	L1	L2
OMSY-80-W	132.5	16	89
OMSY-100-W	136.5	20	93
OMSY-125-W	141.5	25	98
OMSY-160-W	143.5	27	100
OMSY-200-W	150.5	34	107
OMSY-250-W	158.5	42	115
OMSY-315-W	170.5	54	127
OMSY-400-W	185.5	69	142
OMSY-475-W	199.5	83	156

代号 Code	D(深) (depth)	M(深) (depth)	S(深) (depth)	P(深) (depth)
P (A,B)	G1/2(16)	M22×1.5(16)	7/8-14 O-ring(16)	1/2-14NPTF(16)
T	G1/4(12)	M14×1.5(12)	7/16-20UNF(12)	7/16-20UNF(12)
C	2-M10(13)	2-M10(13)	2-3/8-16UNC(13)	2-3/8-16UNC(13)



OMSY系列/ OMSY Serie

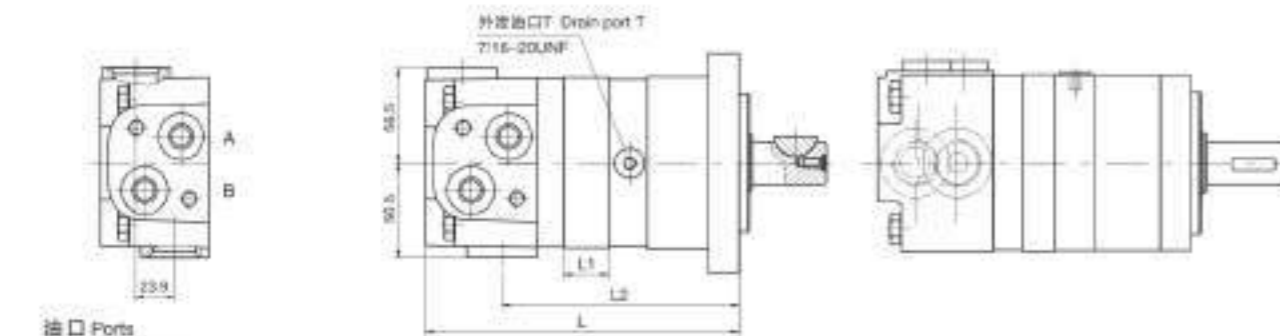
OMSY 安装连接尺寸/ OMSY Installation Dimensions



后油口 Poring End Ports

型号 Type	L	L1	型号 Type	L	L1
OMSY-80	176	16	OMSY-80-WE	148	16
OMSY-100	180	20	OMSY-100-WE	152	20
OMSY-125	185	25	OMSY-125-WE	157	25
OMSY-160	187	27	OMSY-160-WE	159	27
OMSY-200	194	34	OMSY-200-WE	166	34
OMSY-250	202	42	OMSY-250-WE	174	42
OMSY-315	214	54	OMSY-315-WE	186	54
OMSY-400	229	69	OMSY-400-WE	201	69
OMSY-475	243	83	OMSY-475-WE	215	83

连接形式 Mounting	代号 Code	EE-D(深) (depth)	EE-M2(深) (depth)	EE-S2(深) (depth)
P (A,B)		G1/2(15)	M22 x 1.5(15)	7/8-14 O-ring(17)
T		G1/4(12)	M14 x 1.5(12)	7/16-20UNF(12)



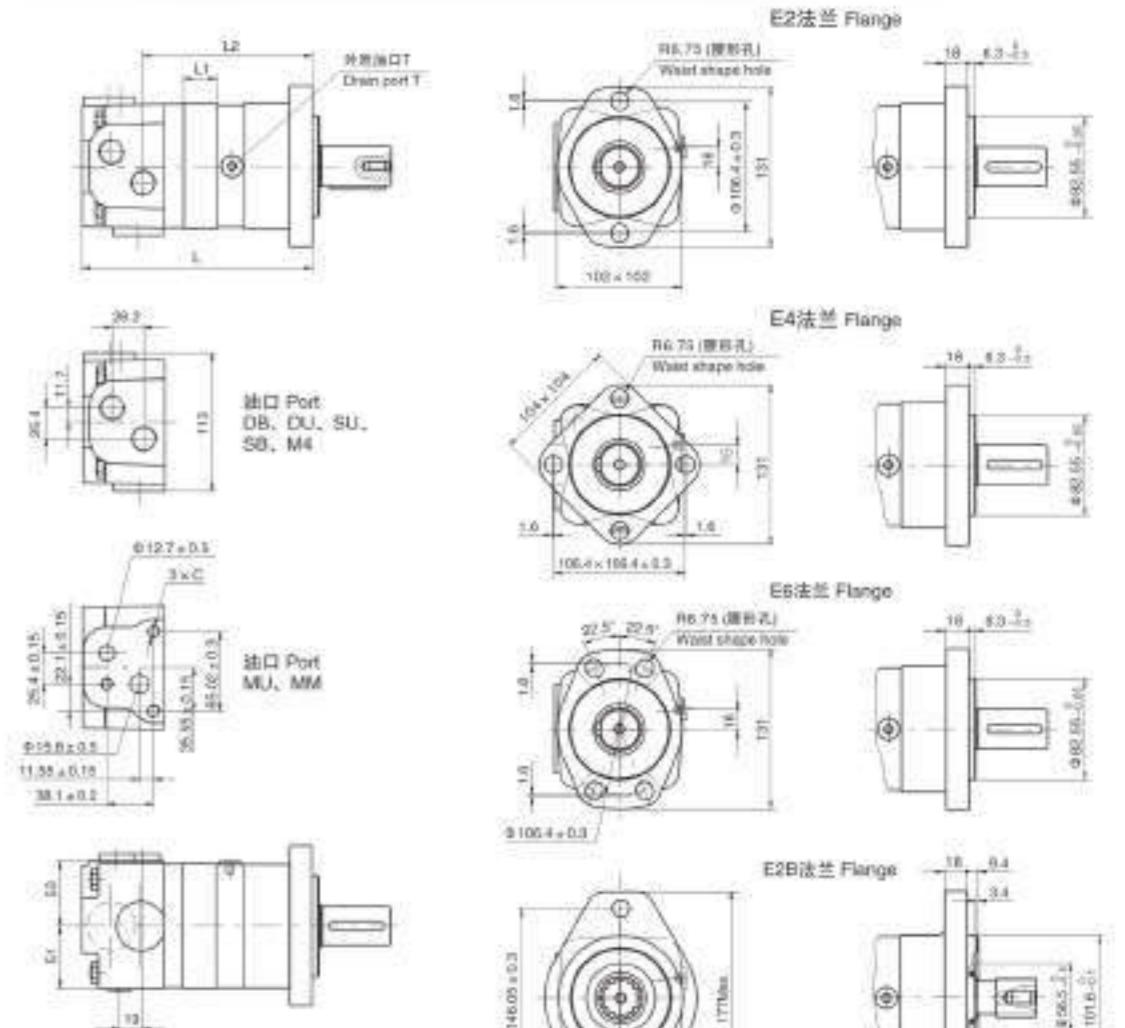
油口 Ports
ED 1-1/16-12UN 0-ring
180° 对称油口 Apart ports

型号 Type	L	L1	L2	型号 Type	L	L1	L2
OMSY-80	176	16	130	OMSY-80-WE	148	16	102
OMSY-100	180	20	134	OMSY-100-WE	152	20	106
OMSY-125	185	25	139	OMSY-125-WE	157	25	111
OMSY-160	187	27	141	OMSY-160-WE	159	27	113
OMSY-200	194	34	148	OMSY-200-WE	166	34	119
OMSY-250	202	42	156	OMSY-250-WE	178	42	127
OMSY-315	214	54	168	OMSY-315-WE	190	54	139
OMSY-400	229	69	183	OMSY-400-WE	205	69	154
OMSY-475	243	83	197	OMSY-475-WE	219	83	168

连接形式 Mounting	代号 Code	EE-D(深) (depth)	EE-M2(深) (depth)	EE-S2(深) (depth)
P (A,B)		G1/2(15)	M22 x 1.5(15)	7/8-14 O-ring(17)
T		G1/4(12)	M14 x 1.5(12)	7/16-20UNF(12)

OMSY系列/ OMSY Serie

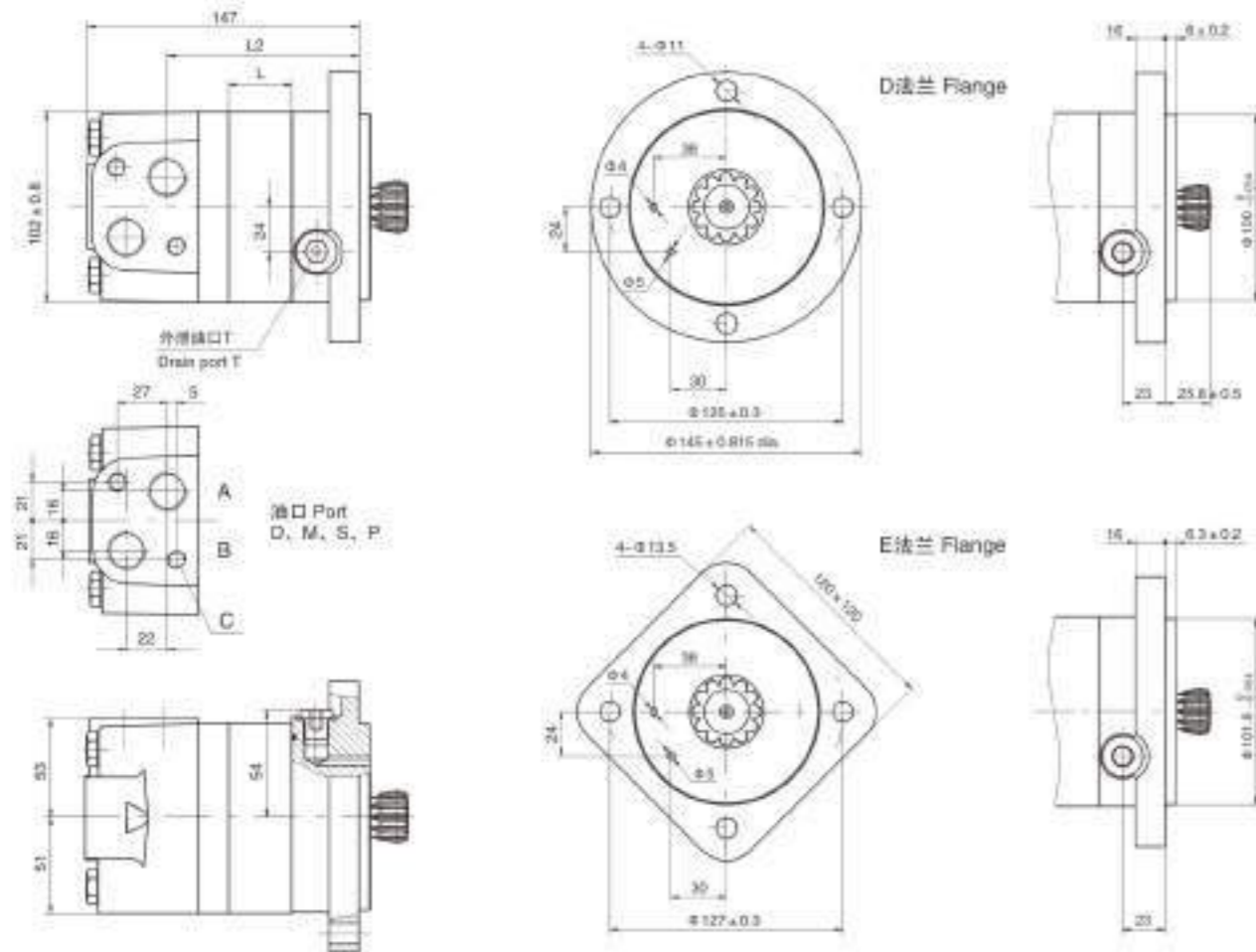
OMSY 安装连接尺寸/ OMSY Installation Dimensions



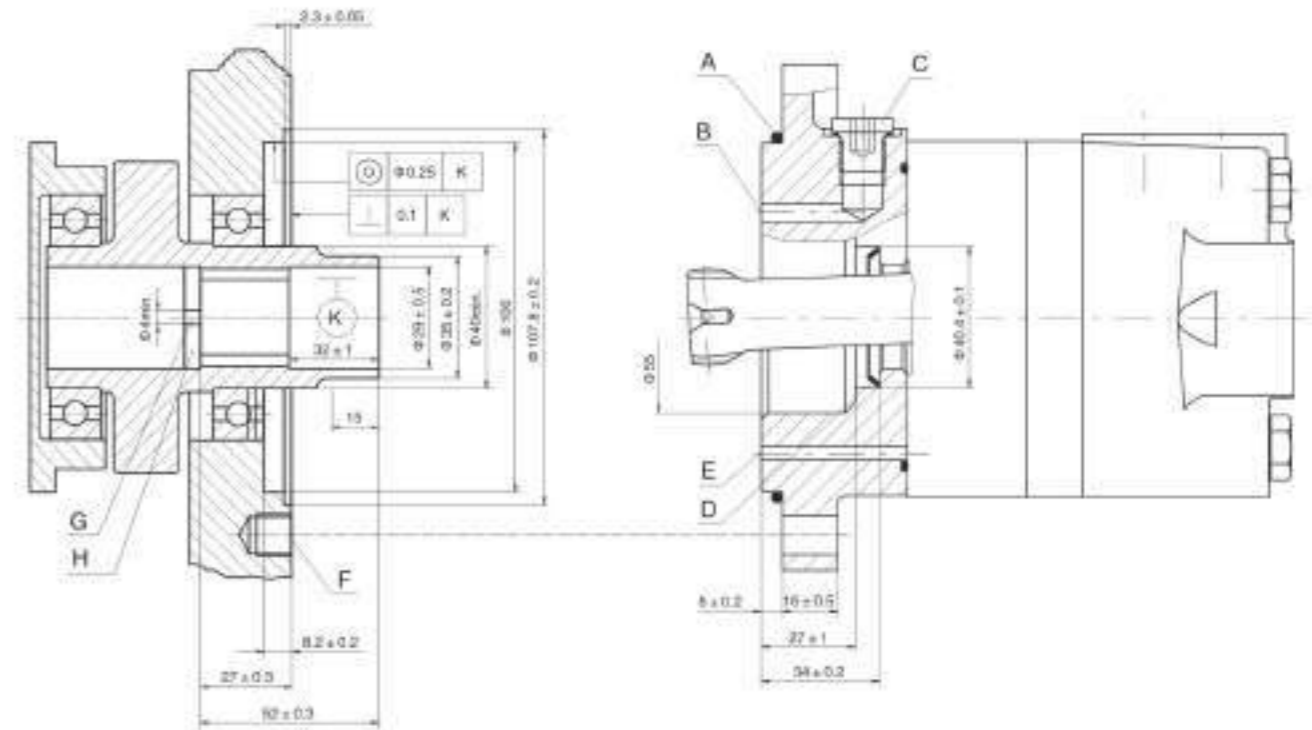
型号 Type	L	L1	L2	型号 Type	L	L1	L2
OMSY-80	177	16	126.5	OMSY-80-WE	148.5	16	98
OMSY-100	181	20	130.5	OMSY-100-WE	152.5	20	102
OMSY-125	186	25	135.5	OMSY-125-WE	157.5	25	107
OMSY-160	188	27	137.5	OMSY-160-WE	159.5	27	109
OMSY-200	195	34	144.5	OMSY-200-WE	166.5	34	116
OMSY-250	203	42	152.5	OMSY-250-WE	174.5	42	124
OMSY-315	215	54	164.5	OMSY-315-WE	186.5	54	136
OMSY-400	230	69	179.5	OMSY-400-WE	201.5	69	151
OMSY-475	244	83	193.5	OMSY-475-WE	215.5	83	165

连接形式 Mounting	代号 Code	D(深) (depth)	DU(深) (depth)	SU(深) (depth)	SB(深) (depth)	M4(深) (depth)	MU	MM
P (A,B)		G1/2(15)	G1/2(15)	7/8-14 O-ring(17)	7/8-14 O-ring(17)	M22 x 1.5(15)	Φ12.7, Φ15.8	Φ12.7, Φ15.8
T		G1/4(12)	7/16-20UNF(12)	7/16-20UNF(12)	G1/4(12)	M12 x 1.5(12)	7/16-20UNF(12)	G1/4(12)
C		-	-	-	-	-	3/8-16UNC	M10

OMSYS 安装连接尺寸/ OMSYS Installation Dimensions



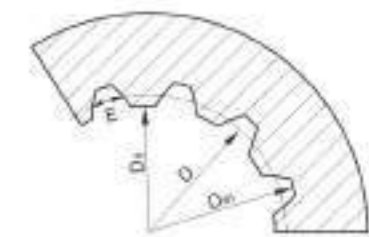
OMSYS 安装连接尺寸/ OMSYS Installation Dimensions



- A: O形圈 100×3
- B: 外泄油通道
- C: 泄油口连接深12mm
- D: 锥形密封圈
- E: 内泄油通道
- F: 15mm深
- G: 回油孔
- H: 硬化挡板

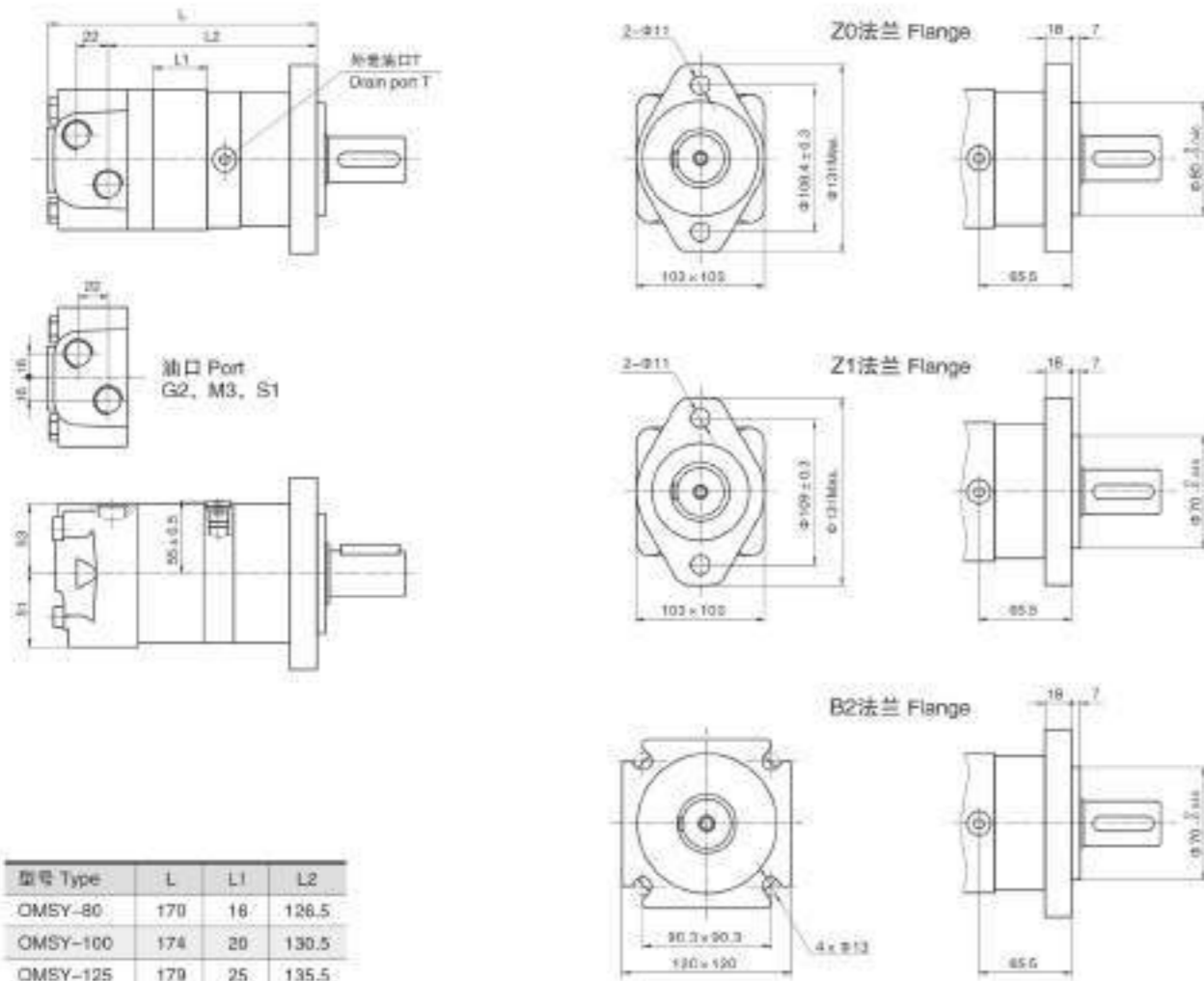
用户花键孔参数表 Internal spline data for the attached component

齿侧配合 Fillet Root Side Fit		mm
齿数 Number of Teeth	Z	12
径节 Diametral Pitch	DP	12/24
压力角 Pressure Angle	α_o	30°
分度圆 Pitch Dia.	D	$\phi 25.4$
大径 Major Dia.	D_o	$\phi 28_{-0.1}^0$
小径 Minor Dia.	D_i	$\phi 23_{-0.03}^0$
齿槽宽 Space Width [Circular]	E	4.308 ± 0.02



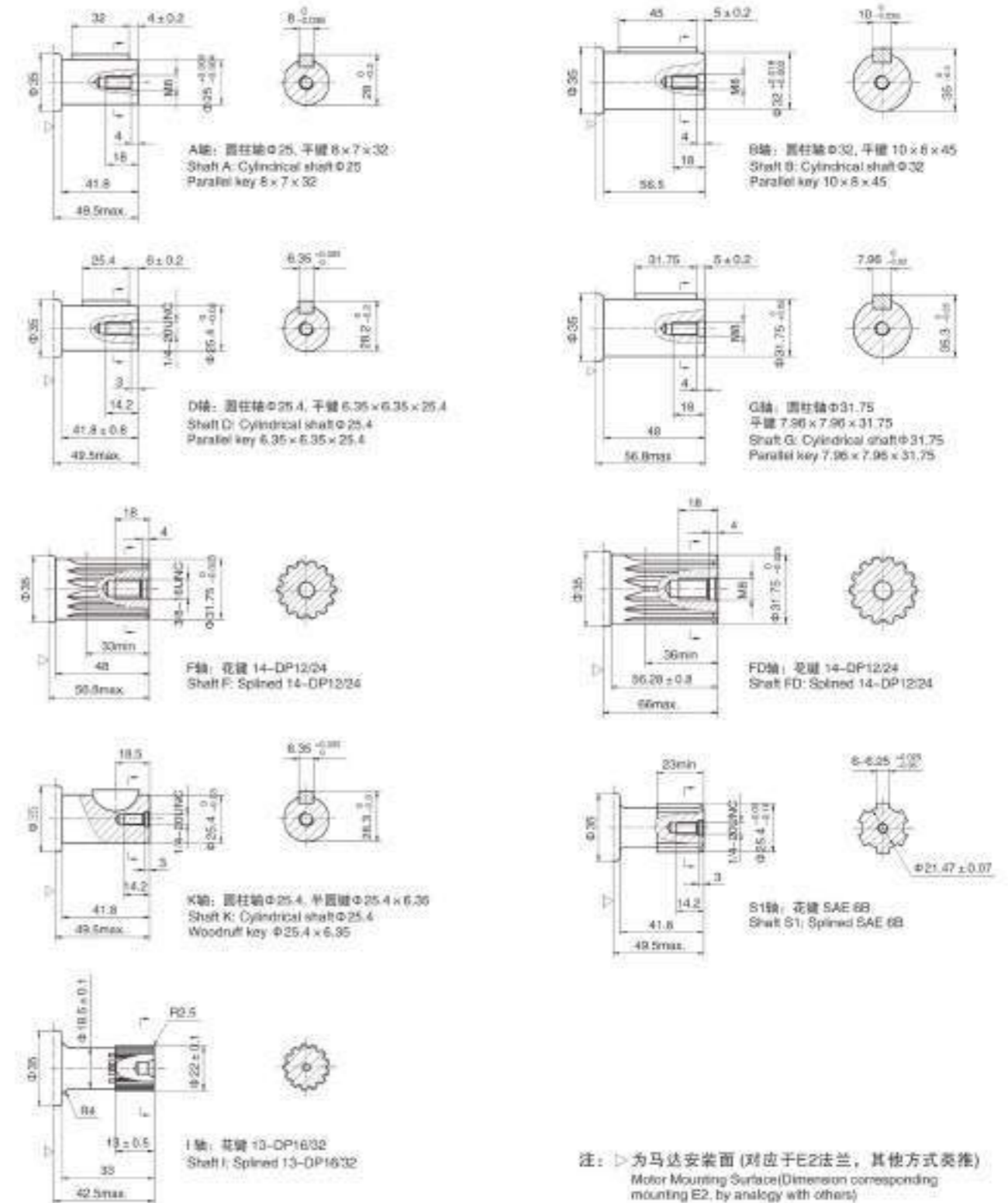
材料硬度: HRC 62±2
渗层深 0.7±0.2
Hardening Specification: HRC 62±2
Effective case depth 0.7±0.2

OMSY 安装连接尺寸/ OMSY Installation Dimensions



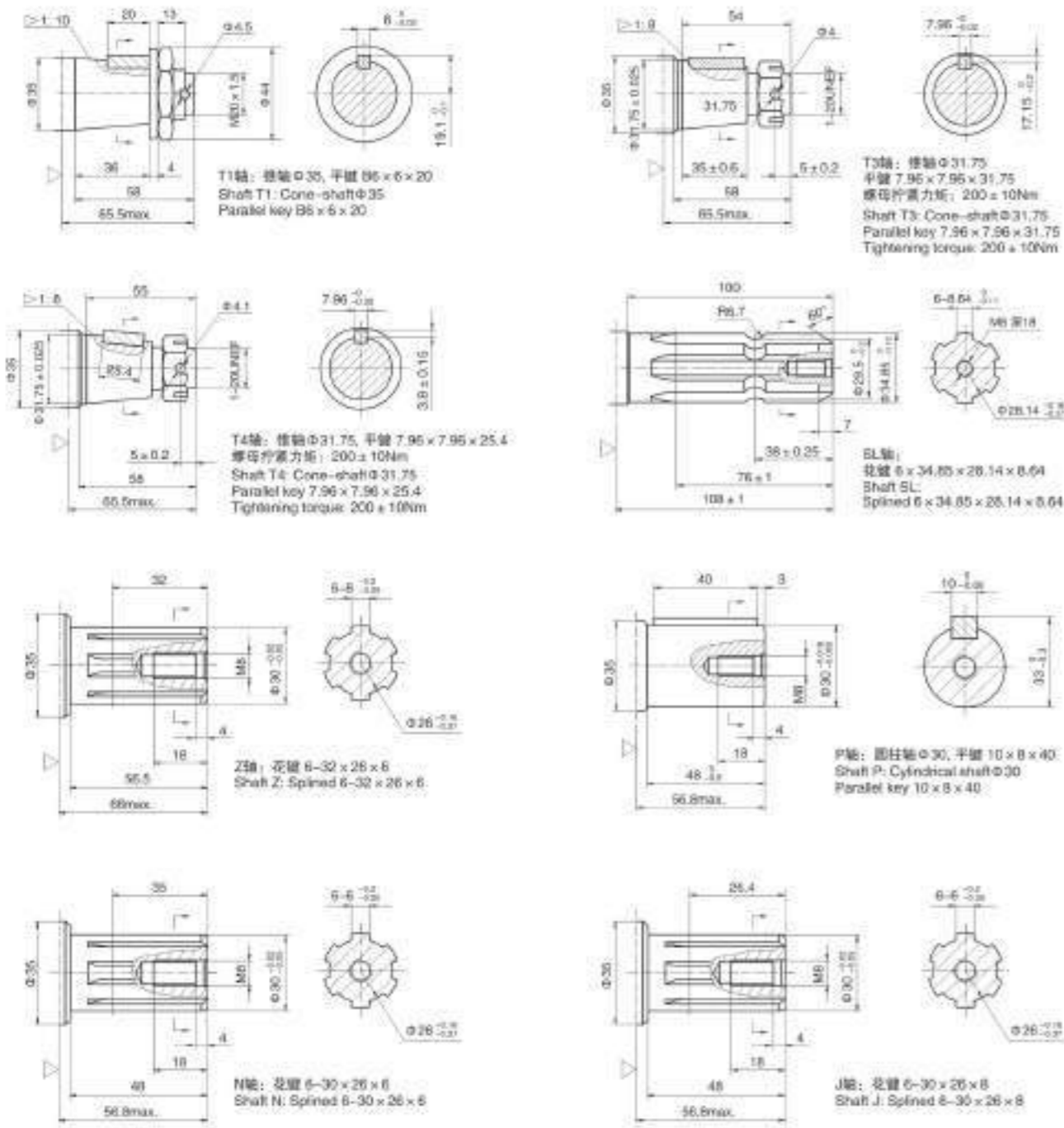
连接形式 Mounting	代号 Code	G2(深) (depth)	M3(深) (depth)	S1(深) (depth)
P (A,B)		G1/2 (18)	M22×1.5 (18)	7/8-14 O-ring (18)
T		M10×1 (9)	M10×1 (9)	M10×1 (9)

OMSY 轴伸连接尺寸/ OMSY Output Shaft Dimensions



注: > 为马达安装面 (对应于E2法兰, 其他方式类推)
Motor Mounting Surface (Dimension corresponding mounting E2, by analogy with others)

OMSY 轴伸连接尺寸/ OMSY Output Shaft Dimensions



注: ▽ 马达安装面 (对应于E2法兰, 其他方式类推)
其中SP法兰可配轴型T1、D、B、F、G

Motor Mounting Surfaces (Dimension corresponding mounting E2, by analogy with others)
Note: Mounting SP is the same with shaft mode T1, D, B, F and G.

订货信息/ Order Information

1	2	3	4	5	6	7	8	
型号	排量	法兰, 止口	轴伸	油口, 外油口	密封工况	油漆选项	特殊功能	
OMSY	80 100 125 160 200 250 315 400 475	E2 2-φ13.5 法兰φ106.4, 止口φ82.5×6.3	A φ25轴, 平键6×7×32	D G1/2 螺纹2-M10, G1/4 M M22×1.5 螺式2-M10, M14×1.5 S 7/8-14 UNF O-ring 螺式2-3/8-16, 7/16-20 UNF P 1/2-14 NPTF 螺式2-3/8-16, 7/16-20 UNF	无 标准 反向	00 不喷漆 无 蓝漆 B 黑漆 S 银灰漆	None Omit B S	None None F LS
		E4 4-φ13.5 法兰φ106.4, 止口φ82.5×6.3	B φ32轴, 平键10×8×45					
		F6 6-φ13.5 法兰φ106.4, 止口φ82.5×6.3	D φ25.4轴, 平键6.35×6.35×25.4					
		W 4-φ13.5 法兰φ106.4, 止口φ82.5×6.3	G φ31.75轴, 平键7.96×7.96×31.75					
		E28 2-φ14.3 法兰φ146.06, 止口φ101.6×6.4	H φ31.75轴, 花键14-DP1224					
		SP 4-φ11.5 法兰φ100.4, 止口φ82.5×6.3	FD φ31.75轴, 花键14-DP1224					
		E6 4-φ13.5 法兰φ106.4, 止口φ82.5×6.3	SL φ34.85轴, 花键6-34.85×26.14×8.64					
		D 4-φ11 法兰φ125, 止口φ100×6	T1 φ30轴, 平键10×8×40					
		E 4-φ13.5 法兰φ127, 止口φ101.6×6.3	T3 φ31.75轴, 平键7.96×7.96×31.75					
			I φ25.4轴, 花键SAE 6B					
	Omit Shaft 13-DP1224							

注: 用户在使用订购信息时, 将马达结构, 排量, 安装法兰, 轴伸, 密封油口等信息, 选择左面作色请标注代号并上画格式写给我们即可。其中SP法兰轴型为T1、D、B、F、G。
WE法兰轴型为T4、B、FE、G有特殊代码, 需提供方案图, 否则无法下单。若所定规格不在上述表中或有特殊要求, 请与我们联系。

1	2	3	4	5	6	7	8	
Type	Displace ment	Flange	Output shaft	Ports and drain port	Position direction	Paint	Unusually function	
OMSY	80 100 125 160 200 250 315 400 475	E2 2-φ13.5 Flangeφ106.4, 止口φ82.5×6.3	B Shaftφ32, parallel key 10×8×45	D G1/2 Metric Nuart 2-M10, G1/4 M M22×1.5 Metric Nut 2-M10, M14×1.5 S 7/8-14 UNF O-ring mounted 2-3/8-16, 7/16-20 UNF P 1/2-14 NPTF thread 2-3/8-16, 7/16-20 UNF	Omit Standard Opposite R	None Omit Blue Black Silver grey	None Omit F LS	Standard Free Running Low Speed
		E4 4-φ13.5 Flangeφ106.4, 止口φ82.5×6.3	D Shaftφ25.4, parallel key 6.35×6.35×25.4					
		F6 6-φ13.5 Flangeφ106.4, 止口φ82.5×6.3	G Shaftφ31.75, parallel key 7.96×7.96×31.75					
		W 4-φ13.5 Flangeφ106.4, 止口φ82.5×6.3	H Shaftφ31.75, spined key 14-DP1224					
		E28 2-φ14.3 Flangeφ146.06, 止口φ101.6×6.4	FD Long Shaftφ31.75, spined key 14-DP1224					
		SP 4-φ11.5 Flangeφ100.4, 止口φ82.5×6.3	SL Shaftφ34.85 Spined key 6-34.85×26.14×8.64					
		E6 4-φ13.5 Flangeφ106.4, 止口φ82.5×6.3	T1 Cone-shaftφ30, parallel key 10×8×40					
		D 4-φ11.5 Flangeφ125, 止口φ100×6	T3 Cone-shaftφ31.75, parallel key 7.96×7.96×31.75					
		E 4-φ13.5 Flangeφ127, 止口φ101.6×6.3	S1 Shaftφ25.4, spined key SAE 6B					
			I Sub-shaftφ22, spined key 13-DP1032					
	Omit Shaft 13-DP1224							

Note: When the table is used, please fill the code of left rows in the table and give us, when the code information is consists of construction, displacement, mounting flange, output shaft and ports. The information of mounting flange, output shaft and ports are the same as OMSY series. The SP flange applies to shafts of T1, D, B, F, G. If the specification is not in the table or you have specific requirements, please contact us.

1	2	3	4	5	6	7	8
型号	排量	法兰, 止口	轴伸	油口, 补油口	转向工况	特殊选项	特殊功能
OMSYS	80 100 125 160 200 250 315 400 475	E2 2-φ13.5 法兰 φ106.4, 止口 φ82.5 × 6.3 E4 4-φ13.5 法兰 φ106.4, 止口 φ82.5 × 6.3 E6 6-φ13.5 法兰 φ106.4, 止口 φ82.5 × 6.3 E2B 2-φ14.3 法兰 φ146.05, 止口 φ101.6 × 6.4 WE 4-φ13.5 法兰 φ147.6, 止口 φ107.95 × 6.4	A φ25轴, 平键6 × 7 × 32 B φ32轴, 平键10 × 8 × 45 K φ25.4轴, 半圆键φ25.4 × 6.35 G φ31.75轴, 平键7.95 × 7.95 × 31.75 F φ31.75轴, 花键14-DP12/24 FE φ31.75轴, 花键14-DP12/24 T4 φ31.75轴, 半圆键7.95 × 7.95 × 25.4 S1 φ25.4轴, 花键SAE 6B I φ22轴, 花键13-DP16/32	EE-D G1/2, G1/4 EE-M2 M22 × 1.5, M14 × 1.5 EE-S2 7/8-14UNF O-req, 7/16-20UNF ED 1-1/16-12UN O-req, 7/16-20UNF DB G1/2, G1/4 DU G1/2, 7/16-20UNF SB 7/8-14UNF O-req, G1/4 SU 7/8-14UNF O-req, 7/16-20UNF M4 M22 × 1.5, M14 × 1.5 MU 1/2", 5/8" 板式安装 3 × 8/8-16UNC, 7/16-20UNF MM 1/2", 5/8" 板式安装 3 × M10, G1/4 G G1/2, G1/4 M2 M22 × 1.5, M14 × 1.5 S2 7/8-14UNF-O-req, 7/16-20UNF	无 R R	00 不喷漆 无 喷漆 B 黑漆 S 银灰漆	管底 自由转动 LS 低转速

1	2	3	4	5	6	7	8
Type	Displacement	Flange	Output shaft	Ports and drain port	Rotation direction	Paint	Unusually function
OMSYS	80 100 125 160 200 250 315 400 475	E2 2-φ13.5 Rhomb-Flange φ106.4, plate φ82.5 × 6.3 E4 4-φ13.5 Rhomb-Flange φ106.4, plate φ82.5 × 6.3 E6 6-φ13.5 Rhomb-Flange φ106.4, plate φ82.5 × 6.3 E2B 2-φ14.3 Rhomb-Flange φ146.05, plate φ101.6 × 6.4 WE 4-φ13.5 Rhomb-Flange φ147.6, plate φ107.95 × 6.4	A Shaft φ25, parallel key 6 × 7 × 32 B Shaft φ32, parallel key 10 × 8 × 45 K Shaft φ25.4, Woodruff key φ25.4 × 6.35 G Shaft φ31.75, parallel key 7.95 × 7.95 × 31.75 F Shaft φ31.75, splined key 14-DP12/24 FE Shaft φ31.75, splined key 14-DP12/24 T4 Core shaft φ31.75, parallel key 7.95 × 7.95 × 25.4 S1 Shaft φ25.4, splined key SAE 6B I Sub-shaft φ21.74, splined key 13-DP16/32	EE-D G1/2, G1/4 EE-M 2M22 × 1.5, M14 × 1.5 EE-S2 7/8-14UNF O-req, 7/16-20UNF ED 1-1/16-12UN O-req, 7/16-20UNF DB G1/2, G1/4 DU G1/2, 7/16-20UNF SB 7/8-14UNF O-req, G1/4 SU 7/8-14UNF O-req, 7/16-20UNF M4 M22 × 1.5, M14 × 1.5 MU 1/2" 5/8" Castable Manifold 3 × 3/8-16UNC, 7/16-20UNF MM 1/2" 5/8" Castable Manifold 3 × M10, G1/4 G G1/2, G1/4 M2 M22 × 1.5, M14 × 1.5 S2 7/8-14UNF O-req, 7/16-20UNF	00 Opposite R	00 No paint Omit Blue B Black S Silver grey	Omit Standard F Free Running LB Low-Speed

Note: When the table is used, please fill the code of left rows in the table and give us, which the code information is consists of construction, displacement, mounting flange, output shaft and ports. The informations of mounting flange, output shaft and ports are the same as OMS series. The SP flange refers to shafts of T1, D, B, F, G. If the specification is not in the table of you have specific requirements, please contact us.



1、产品特点/ Product features	57
2、技术参数/ Technical data	57
3、安装联接尺寸/ Installation Dimensions	
OMT 安装连接尺寸 OMT Installation Dimensions	58
OMTE 安装连接尺寸 OMTE Installation Dimensions	59
OMTZ 安装连接尺寸 OMTZ Installation Dimensions	60
OMTS 安装连接尺寸 OMTS Installation Dimensions	61
OMTJ 安装连接尺寸 OMTJ Installation Dimensions	63
OMT (E, Z) 轴伸连接尺寸 OMT (E, Z) Output Shaft Dimensions	65
4、订货信息/ Order Information	67

OMT系列/ OMT Serie

产品特点/ Product features

OMT系列摆线液压马达是一种先进的端面配流结构液压马达。该马达使用锥柱式转定子付，具有工作压力高，工作效率高，整机高效保持性好，工作寿命长的特点。可在标准结构的基础上根据用户需求进行多功能的变型设计。

其特点：

- 1、采用先进的转定子参数设计，启动压力低，效率高并保持性好；
- 2、工作压力高，输出扭矩大。采用圆锥滚子轴承结构，承受轴、径向负荷能力强，使马达可直接驱动工作机构，使用范围扩大；
- 3、先进端面配流结构，使马达配流精度高，磨损后自动补偿功能强，确保高的容积效率、马达长寿命，确保马达转速平稳、负载速度特性平稳；

OMT series motor adapt the advanced Geroler gear set design with disc distribution flow and high pressure. The unit can be supplied the individual variant in operating multifunction in accordance with requirement of applications.

Characteristic features:

- 1、Advanced manufacturing devices for the Geroler gear set, which use low pressure of start-up, provide smooth and reliable operation and high efficiency.
- 2、The output shaft adapts in tapered roller bearings that permit high axial and radial forces. Can offer capacities of high pressure and high torque in the wide of applications.
- 3、Advanced design in disc distribution flow, which can automatically compensate in operating with high volume efficiency and long life, provide smooth and reliable operation.

技术参数/ Technical data

型号 Type	OMT	OMT	OMT	OMT	OMT	OMT	OMT	OMT	OMT
	OMTS	OMTS	OMTS	OMTS	OMTS	OMTS	OMTS	OMTS	OMTS
	OMTE	OMTE	OMTE	OMTE	OMTE	OMTE	OMTE	OMTE	OMTE
	OMTJ	OMTJ	OMTJ	OMTJ	OMTJ	OMTJ	OMTJ	OMTJ	OMTJ
	OMTZ	OMTZ	OMTZ	OMTZ	OMTZ	OMTZ	OMTZ	OMTZ	OMTZ
排量 (cm ³ /rev.) Geometric displacement	161.1	201.4	232.5	251.8	326.3	410.9	523.6	629.1	801.8
最高转速 (rpm) Max. speed	额定 rated	470	475	412	381	294	228	183	121
	连续 cont.	625	625	536	500	380	305	240	154
	断续 int.	790	750	643	600	460	365	285	185
最大扭矩 (N.m) Max. torque	额定 rated	379	471	530	582	758	896	1083	1207
	连续 cont.	470	590	670	730	950	1080	1220	1454
	断续 int.	590	710	821	880	1140	1260	1370	1498
最大输出功率 (kw) Max. output	额定 rated	18.7	23.4	23.2	23.2	23.3	21.4	20.4	15.3
	连续 cont.	27.7	34.9	34.7	34.5	34.9	31.2	28.8	22.2
	断续 int.	32	40	40	40	40	35	35	27.5
最高工作压力 Max. pressure drop (MPa)	额定 rated	16	16	16	16	16	15	14	10.5
	连续 cont.	20	20	20	20	20	18	16	12.5
	断续 int.	24	24	24	24	24	21	18	13
最大流量 (L/min) Max. flow	额定 rated	80	100	100	100	100	100	100	100
	连续 cont.	100	125	125	125	125	125	125	125
	断续 int.	125	150	150	150	150	150	150	150
最高进油压力 Max. inlet pressure (MPa)	额定 rated	21	21	21	21	21	21	21	21
	连续 cont.	21	21	21	21	21	21	21	21
	断续 int.	25	25	25	25	25	25	25	25
峰值 peak	30	30	30	30	30	30	30	30	
重量 Weight (kg)	19.5	20	20.4	20.5	21	22	23	24	25

* 额定转速、扭矩是指在额定流量、压力下的输出值。

* 连续值是指该排量马达可以连续工作的最大值。

* 断续值是指该排量马达在1分钟内工作0.6秒的最大值。

* 峰值是指该排量马达在1分钟内工作0.6秒的最大值。

* Rated speed and rated torque: output value of speed and torque under rated flow and rated pressure;

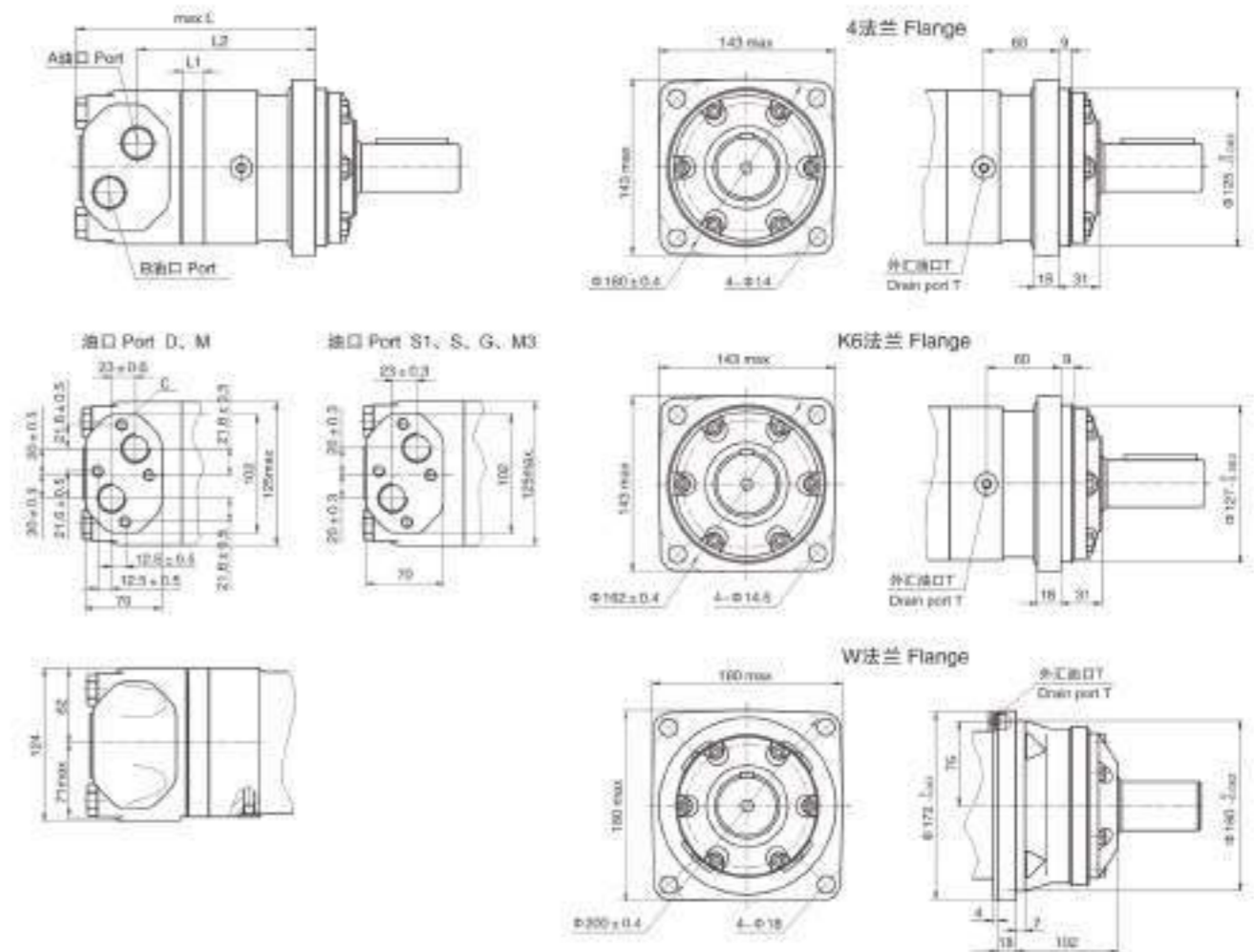
* Continuous pressure: Max. value of operating motor continuously;

* Intermittent pressure: Max. value of operating motor in 6 seconds per minute;

* Peak pressure: Max. value of operating motor in 0.6 second per minute.

OMT系列/ OMT Serie

OMT 安装连接尺寸/ OMT Installation Dimensions



型号 Type	L	L1	L2
OMT160	193	17	142.5
OMT200	197	21	148.5
OMT250	204	14	152.5
OMT315	210	20	158.5
OMT400	217	27	165.5
OMT500	225	35	173.5
OMT630	237	47	185.5
OMT800	248	58	195.5

型号 Type	L	L1	L2
OMTW160	127	17	77
OMTW200	131	21	81
OMTW250	136	14	86
OMTW315	142	20	91
OMTW400	148	27	98
OMTW500	157	35	106
OMTW630	169	47	118
OMTW800	180	58	129

连接形式 Mounting	代号 Code	D(深) (depth)	M(深) (depth)	S(深) (depth)	G(深) (depth)	M3(深) (depth)	S1(深) (depth)
P (A,B)		G3/4 (18)	M27 x 2(18)	1-1/16-12UNC(18)	G3/4 (18)	M27 x 2(18)	1-1/16-12UNC(18)
T		G1/4 (12)	M14 x 1.5(12)	9/16-18UNF (12)	G1/4 (12)	M14 x 1.5(12)	7/16-20UNF (12)
C		4-M10(10)	4-M10(10)	-	-	-	-

注：1、转定子厚度为：L1+3 | 排量160-200 |

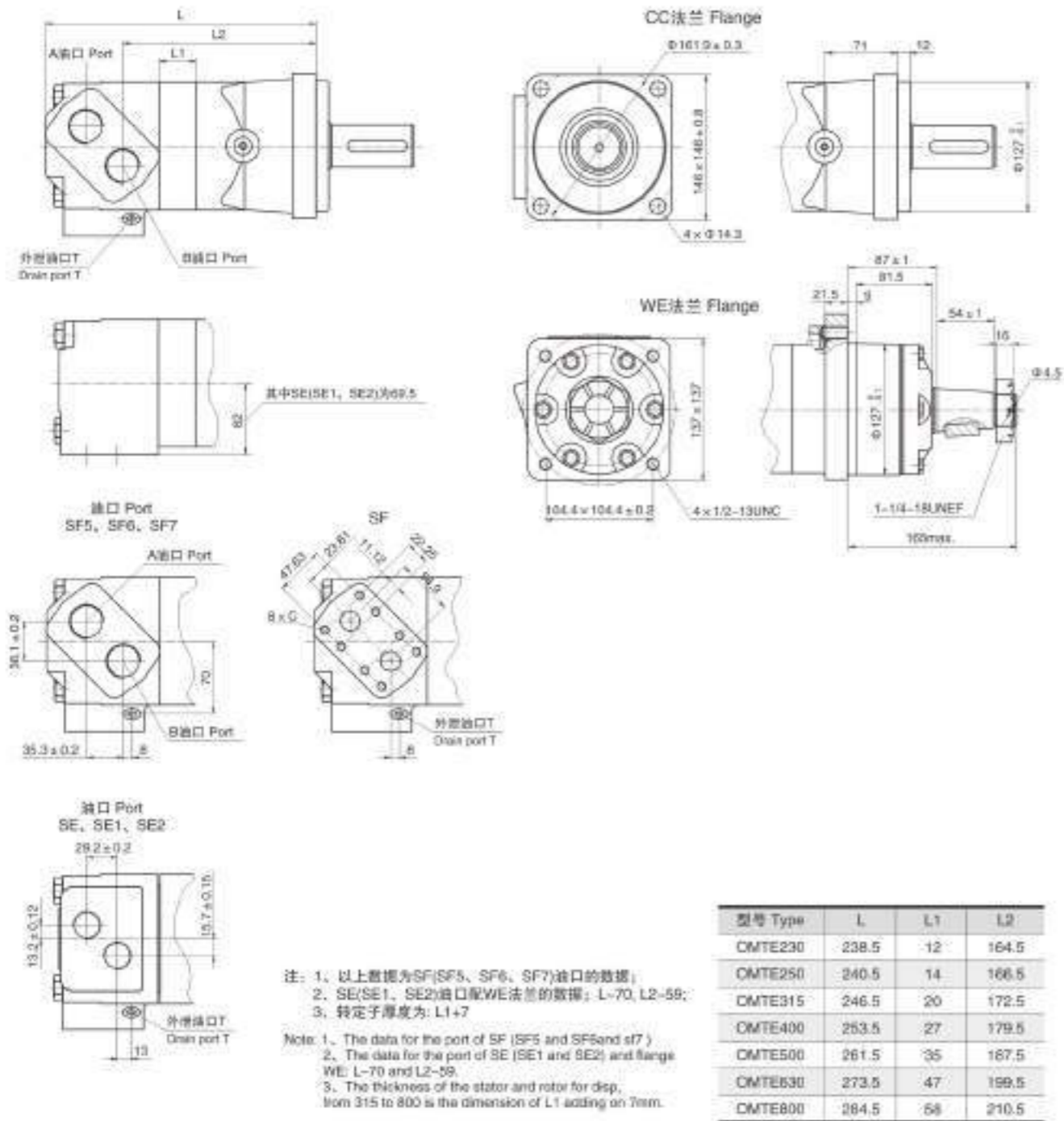
2、转定子厚度为：L1+7 | 排量250-800 |

Note: 1、The thickness of the stator and rotor for disp. from 160 to 200 is the dimension of L1 adding on 3mm.

2、The thickness of the stator and rotor for disp. from 250 to 800 is the dimension of L1 adding on 7mm.

OMT系列/ OMT Serie

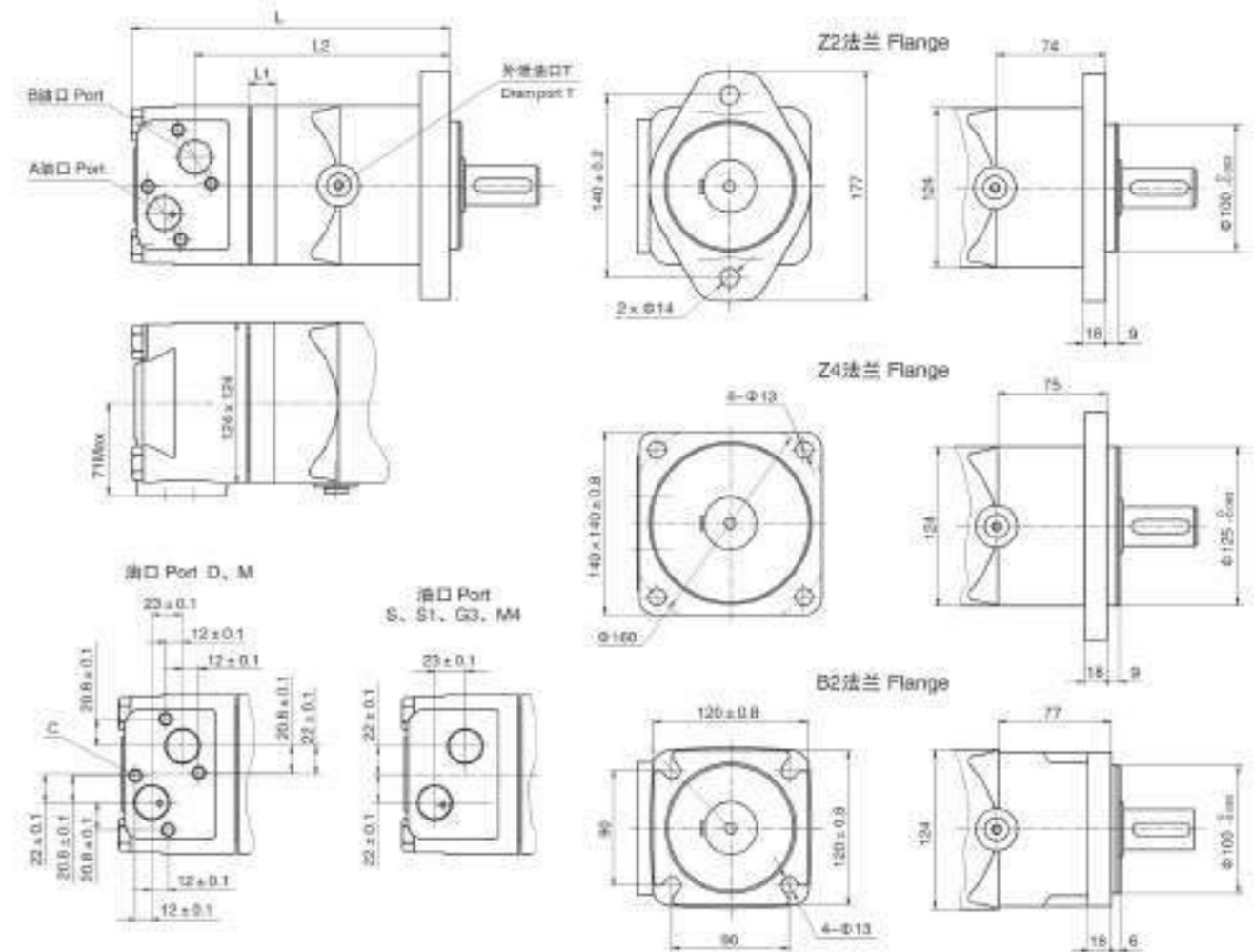
OMTE 安装连接尺寸/ OMTE Installation Dimensions



连接形式 Mounting	代号 Code	SF5(深) (depth)	SF6(深) (depth)	SF7(深) (depth)	SF(深) (depth)	SE(深) (depth)	SE1(深) (depth)	SE2(深) (depth)
P (A,B)		1-5/16-12UN(18)	M33x2(18)	G1 (18)	3/4"(18)	1-1/16-12UN(18)	1-1/16-12UN(18)	G3/4 (18)
T		7/16-20UNF (12)	M14 x 1.5(12)	G1/4 (12)	7/16-20UNF (12)	9/16-18UNF (12)	7/16-20UNF (12)	G1/4 (12)
C		-	-	-	8 x 3/8-16UNC	-	-	-

OMT系列/ OMT Serie

OMTZ 安装连接尺寸/ OMTZ Installation Dimensions



型号 Type	L	L1	L2
OMTZ160	203	17	152
OMTZ200	207	21	156
OMTZ230	215	12	174.5
OMTZ250	223.5	14	176.5
OMTZ315	229.5	20	182.5
OMTZ400	236.5	27	189.5
OMTZ500	244.5	35	197.5
OMTZ630	256.5	47	209.5
OMTZ800	267.5	58	220.5

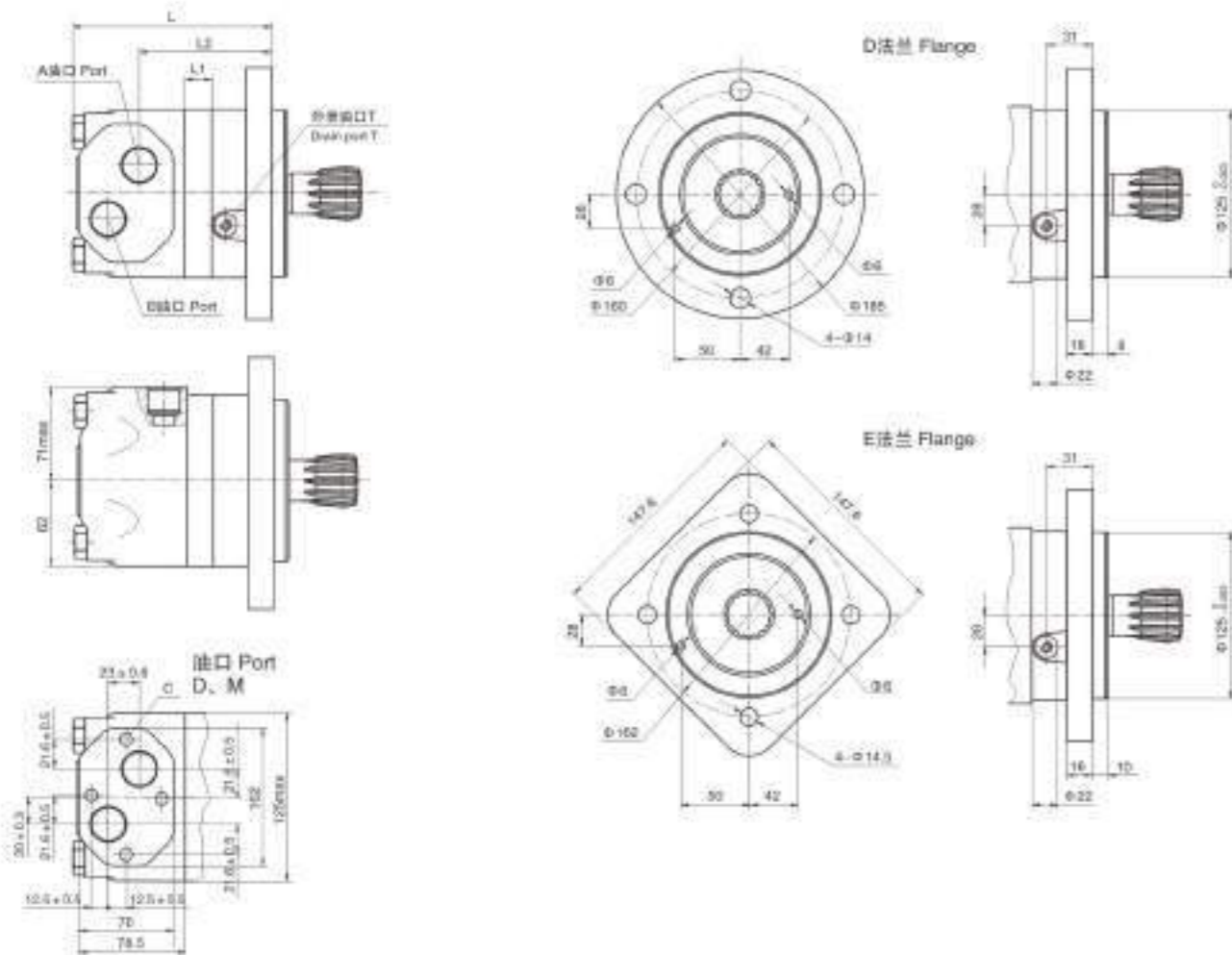
- 注: 1. 转定子厚度为: L1+3 (排量160-200)
2. 转定子厚度为: L1+7 (排量230、250-800)
3. 排量160、200的Z4法兰安装尺寸L, L2相应增加12
4. 替代老型号: OM50, OMT50系列

- Note: 1. The thickness of the stator and rotor for disp. from 160 to 200 is the dimension of L1 adding on 3mm.
2. The thickness of the stator and rotor for disp. from 230, 250 to 800 is the dimension of L1 adding on 7mm.
3. Displacement 160, 200 of the Z4 flange installation size L, L2 corresponding increase of 12.
4. Replace the old model: OM50, OMT50 series

连接形式 Mounting	代号 Code	D(深) (depth)	M(深) (depth)	S(深) (depth)	S1(深) (depth)	M4(深) (depth)	G3(深) (depth)
P (A,B)		G3/4 (18)	M27 x 2(18)	1-1/16-12UN(18)	1-1/16-12UN(18)	M27 x 2(18)	G3/4 (18)
T		G1/4 (12)	M14 x 1.5(12)	9/16-18UNF (12)	7/16-20UNF (12)	M10 x 1(12)	M10 x 1(12)
C		4-M10 (10)	4-M10 (10)	-	-	-	-

OMT系列/ OMT Serie

OMTS 安装连接尺寸/ OMTS Installation Dimensions



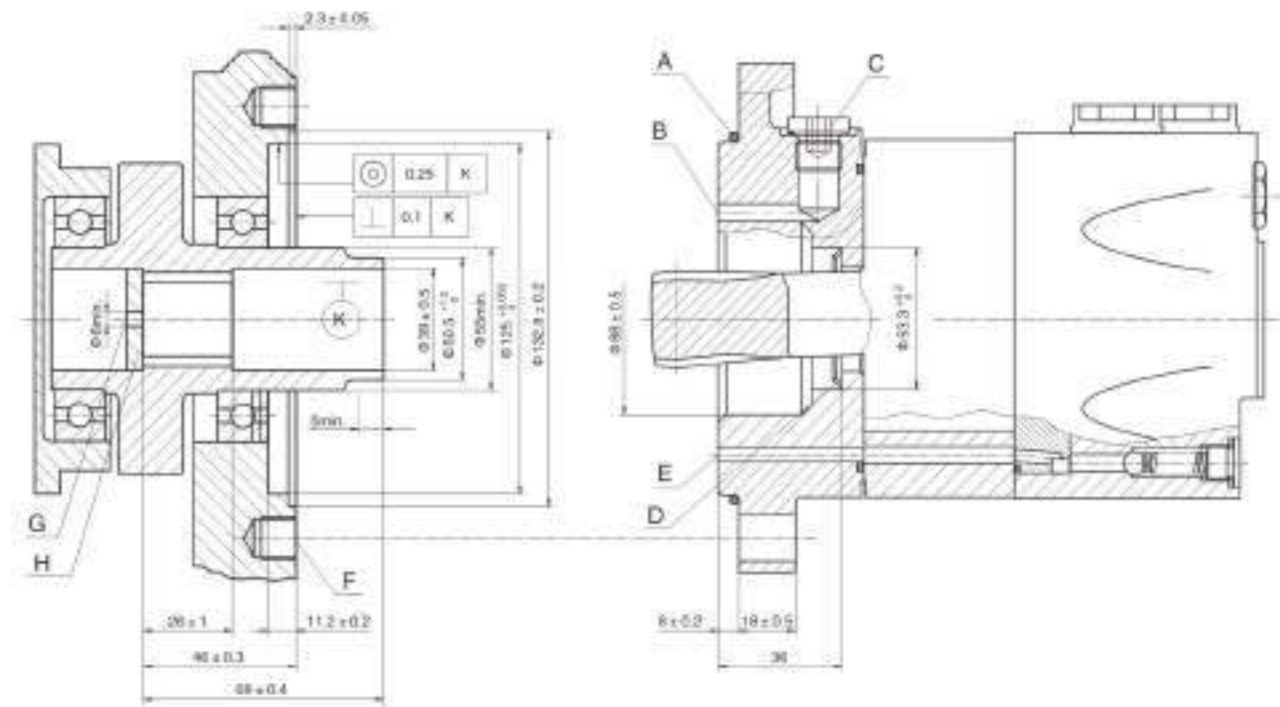
注: 1. 转定子厚度为: L1+3 (排量160-200)
 2. 转定子厚度为: L1+7 (排量315-800)
 Note:
 1. The thickness of the stator and rotor for disp. from 160 to 200 is the dimension of L1 adding on 3mm.
 2. The thickness of the stator and rotor for disp. from 315 to 800 is the dimension of L1 adding on 7mm.

型号 Type	L	L1	L2
OMTS160	148	17	96.5
OMTS200	152	21	100.5
OMTS250	157	14	109
OMTS315	163	20	115
OMTS400	170	27	122
OMTS500	176	35	130
OMTS630	190	47	142
OMTS800	201	58	153

连接形式 Mating	代号 Code	D(深) (depth)	M(深) (depth)	S(深) (depth)	G(深) (depth)	M3(深) (depth)	S1(深) (depth)
P (A,B)		G3/4 (18)	M27 x 2(18)	1-1/16-12UN(18)	G3/4 (18)	M27 x 2(18)	1-1/16-12UN(18)
T		G1/4 (12)	M14 x 1.5(12)	9/16-18UNF (12)	G1/4 (12)	M14 x 1.5(12)	7/16-20UNF (12)
C		4-M10 (10)	4-M10 (10)	-	-	-	-

OMT系列/ OMT Serie

OMTS 安装连接尺寸/ OMTS Installation Dimensions



- A: O形圈 125 x 3
- B: 外泄油通道
- C: 泄油口连接深12mm
- D: 锥形密封圈
- E: 内泄油通道
- F: 18mm深
- G: 回油孔
- H: 硬化挡板

- A: D-ring: 125 x 3
- B: External drain channel
- C: Drain connection G 1/4; 12 mm deep
- D: Conical seal ring
- E: Internal drain channel
- F: M10; min. 18mm deep
- G: Oil circulation hole
- H: Hardened stop plate

用户花键孔参数表 Internal spline data for the attached component

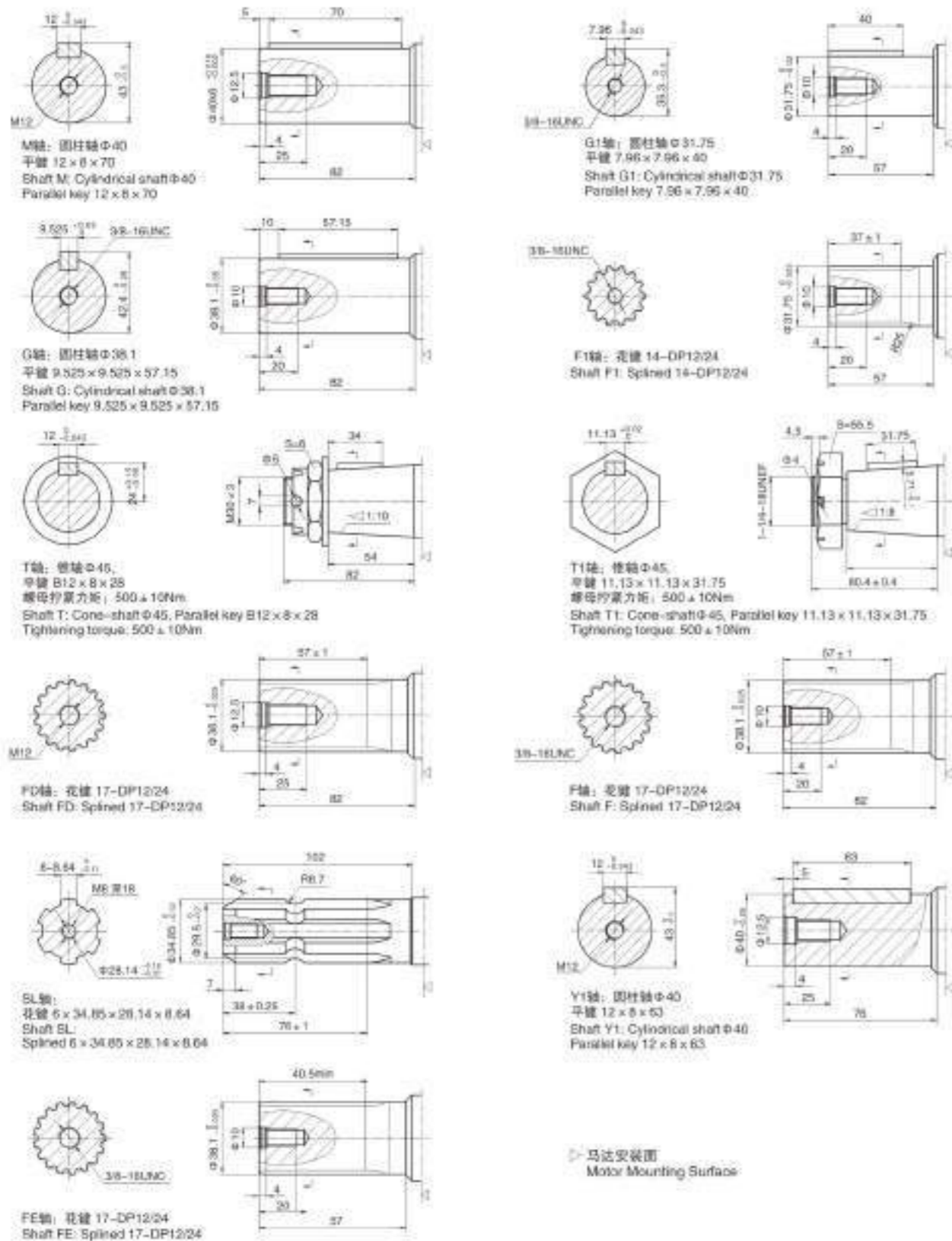
齿侧配合 Fillet Root Side Fit		mm
齿数 Number of Teeth	Z	36
径节 Diametral Pitch	DP	12/24
压力角 Pressure Angle	α	30°
分度圆 Pitch Dia.	D	φ33.8556
大径 Major Dia.	D _o	φ38.4 ^{+0.25} ₀
小径 Minor Dia.	D _i	φ32.15 ^{-0.34} ₀
齿槽宽 Space Width [Circular]	E	4.516 ± 0.037



材料硬度: HRC 61±2
 渗层深 0.7±0.2
 Hardening Specification: HRC 61±2
 Effective case depth 0.7±0.2

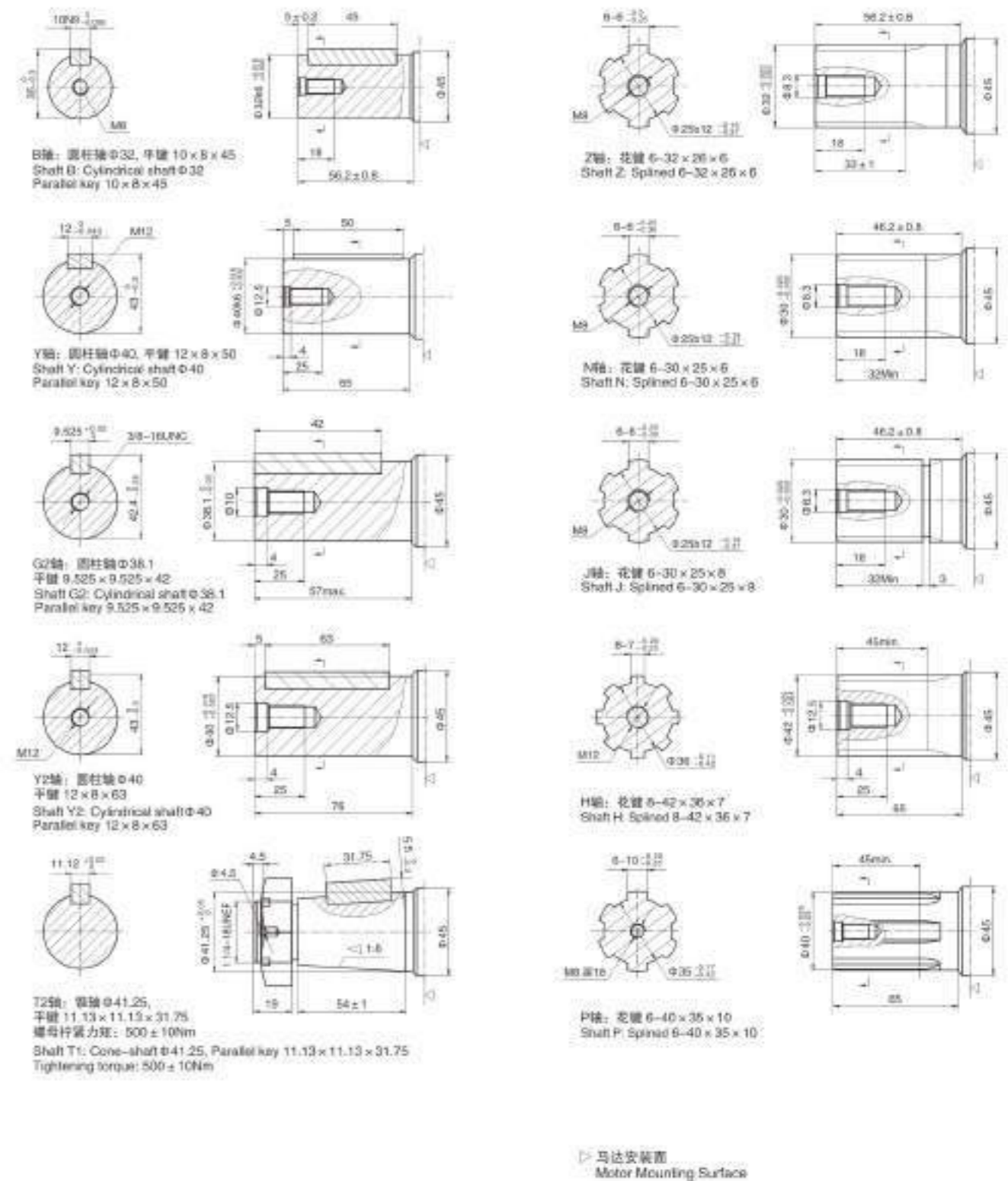
OMT系列/ OMT Serie

OMT (E、Z) 轴伸连接尺寸/ OMT (E、Z) Output Shaft Dimensions



OMT系列/ OMT Serie

OMT (E、Z) 轴伸连接尺寸/ OMT (E、Z) Output Shaft Dimensions



OMT系列/ OMT Serie

订货信息/ Order Information

1	2	3	4	5	6	7	8							
型号	排量	法兰、止口	轴伸	端口、外接口	轴向工艺	特殊选项	特殊功能							
OMT	160	4-φ14 法兰 φ160, 止口 φ125 × 8 4-φ14.5 法兰 φ162, 止口 φ127 × 10	M φ40轴, 半键 12 × 8 × 70	D G3/4 板式 4-M10, G1/4 M M27 × 2 板式 4-M10, M14 × 1.5 S 1-1/16-12UN, 9/16-18UNF S1 1-1/16-12UN, 7/16-20UNF G G3/4, G1/4 M3 M27 × 2, M14 × 1.5	无	标准	00 不喷漆	无						
	200		F φ36.1轴, 半键 17-DF12/24											
	250		F φ36.1轴, 花键 17-DF12/24											
	315		T 1-10 轴伸, φ45轴, 半键 11.13 × 11.13 × 31.75											
	400		T1 1-8 轴伸, φ45轴, 半键 11.13 × 11.13 × 31.75											
	500		SL φ34 轴伸, 花键 6-34.85 × 28.14 × 8.64											
	630		G1 φ31.75轴, 半键 7.96 × 7.96 × 40											
	800		F1 φ31.75轴, 花键 14-DF12/24											
	OMTS		D 4-φ14 法兰 φ160, 止口 φ125 × 8 E 4-φ14.5 法兰 φ162, 止口 φ127 × 10						无	轴伸 16-DF12/24				

注：用户在使用订货信息时，将马达结构、排量、安装法兰、轴伸、进出口等信息，选择左面作色部位的代号按上面格式写给我们即可。若所选规格不在上述表中或特殊要求，请与我们联系。

1	2	3	4	5	6	7	8					
Type	Displacement	Flange	Output shaft	Ports and drain port	Position direction	Paint	Unusually function					
OMT	160	4-φ14 Square-flange φ160, pint φ125 × 8 K6 4-φ14.5 Square-flange φ162, pint φ127 × 8 W 4-φ16 Wheel-flange φ200, pint φ160 × 7	M Shaft φ40, parallel key 12 × 8 × 70	D G3/4 Manifold Mount, 4-M10, G1/4 M M27 × 2 Manifold Mount, 4-M10, M14 × 1.5 S 1-1/16-12UN-3rg, 9/16-18UNF S1 1-1/16-12UN-3rg, 7/16-20UNF G G3/4, G1/4 M3 M27 × 2, M14 × 1.5	00 No paint Omit Blue B Black S Silver grey	00 Omit F Free Running LS Low Speed						
	200		G Shaft φ40, parallel key 9.52 × 9.52 × 57.15									
	250		F Shaft φ38.1, splined both 17-DF12/24									
	315		FD Shaft φ38.1, splined both 17-DF12/24									
	400		T Core-shaft 110 φ45, parallel key 812 × 8 × 28									
	500		T1 Core-shaft 110 φ45, parallel key 11.13 × 11.13 × 31.75									
	630		SL Shaft φ34.85, splined key 6-34.85 × 28.14 × 8.64									
	800		G1 Shaft φ31.75, parallel key 7.96 × 7.96 × 40									
	OMTS		D 4-φ11 Circle-flange φ160, pint φ125 × 8 E 4-φ14.5 Square-flange φ162, pint φ127 × 10					Omit Short shaft 16-DF12/24				

Note: When the table is used, please fill the code of left rows in the table and give us, which the code information is consists of construction, displacement, mounting flange, output shaft and ports. If the specification is not in the table or you have specific requirements, please contact us.

OMT系列/ OMT Serie

订货信息/ Order Information

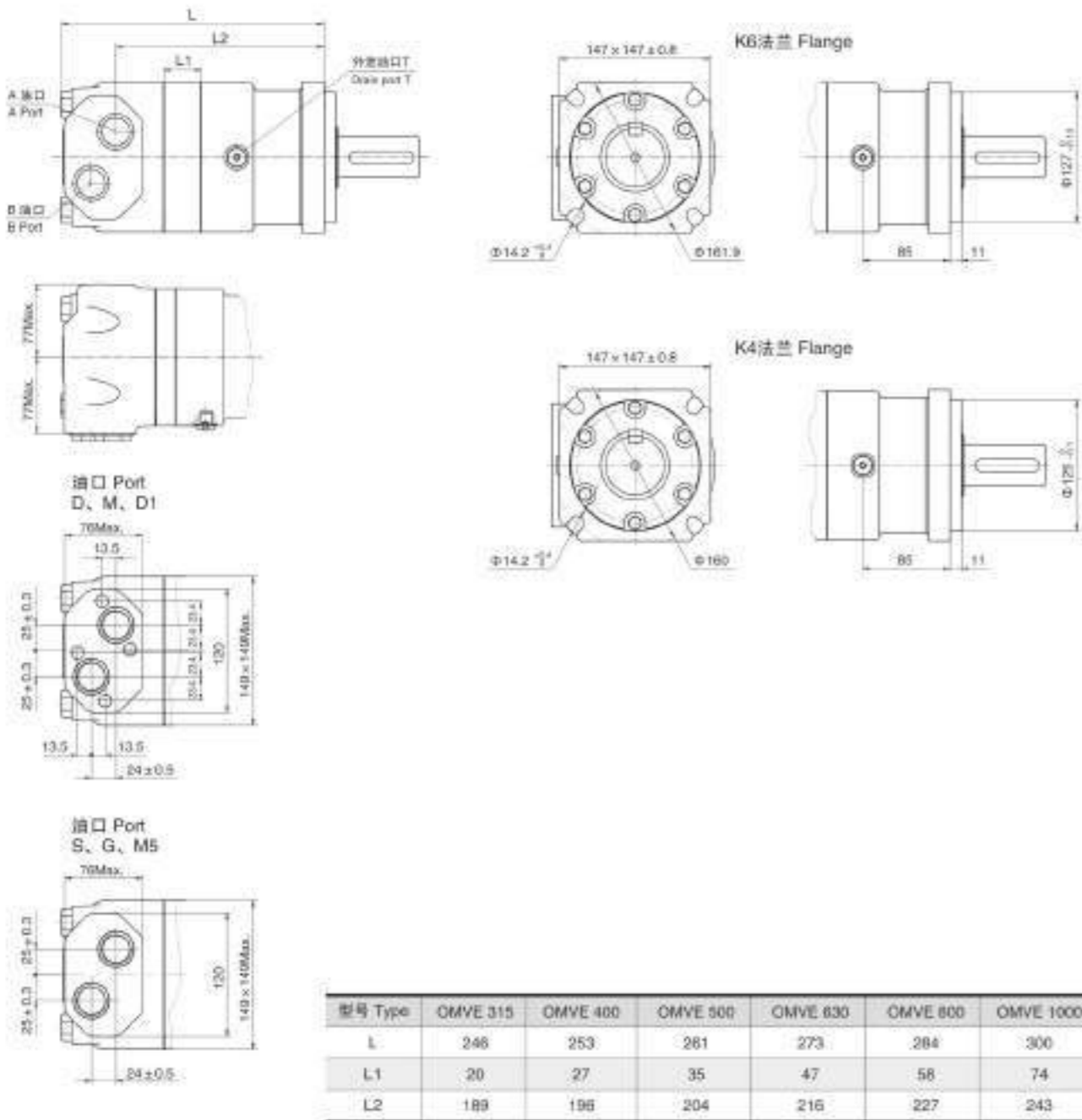
1	2	3	4	5	6	7	8					
型号	排量	法兰、止口	轴伸	端口、外接口	轴向工艺	特殊选项	特殊功能					
DMTZ	160	2-φ14 法兰 φ140, 止口 φ100 × 9 4-φ13 正法兰 φ160, 止口 φ125 × 8 4-φ13 法兰 φ100 × 6	B φ32轴, 半键 10 × 8 × 45	D G3/4 板式 4-M10, G1/4 M M27 × 2 板式 4-M10, M14 × 1.5 S 1-1/16-12UN, 9/16-18UNF S1 1-1/16-12UN, 7/16-20UNF G3 G3/4, M10 × 1 M4 M27 × 2, M10 × 1	00 不喷漆	00 不喷漆	无					
	200		Y φ40轴, 半键 12 × 8 × 50									
	250		Z φ30轴, 花键 6-32 × 28 × 6									
	315		N φ30轴, 花键 6-30 × 25 × 6									
	400		J φ30轴, 花键 6-30 × 25 × 8									
	500		H φ42轴, 花键 8-42 × 36 × 7									
	630		P φ40轴, 花键 8-40 × 35 × 10									
	800		P1 φ35轴, 花键 6-φ35 × 29 × 10									
	DMTZ		Z2 2-φ14 法兰 φ140, 止口 φ100 × 9 Z4 4-φ13 正法兰 φ160, 止口 φ125 × 8 B2 4-φ13 法兰 φ100 × 6									

注：用户在使用订货信息时，将马达结构、排量、安装法兰、轴伸、进出口等信息，选择左面作色部位的代号按上面格式写给我们即可。若所选规格不在上述表中或特殊要求，请与我们联系。

1	2	3	4	5	6	7	8					
Type	Displacement	Flange	Output shaft	Ports and drain port	Position direction	Paint	Unusually function					
DMTZ	160	2-φ14 法兰 φ140, 止口 φ100 × 9 Z2 2-φ14 正法兰 φ160, 止口 φ125 × 8 Z4 4-φ13 法兰 φ100 × 6	B Shaft φ32, parallel key 10 × 8 × 45	D G3/4 Manifold Mount 4-M10, G1/4 M M27 × 2 Manifold Mount 4-M10, M14 × 1.5 S 1-1/16-12UN, 9/16-18UNF S1 1-1/16-12UN, 7/16-20UNF G3 G3/4, M10 × 1 M4 M27 × 2, M10 × 1	00 No paint Omit Blue B Black S Silver grey	00 Omit F Free Running LS Low Speed						
	200		Y Shaft φ40, parallel key 12 × 8 × 50									
	250		Z Shaft φ32, splined both 6-32 × 28 × 6									
	315		N Shaft φ30, splined both 6-30 × 25 × 6									
	400		J Shaft φ30, splined both 6-30 × 25 × 8									
	500		H Shaft φ42, splined both 8-42 × 36 × 7									
	630		P Shaft φ40, splined both 8-40 × 35 × 10									
	800		P1 Shaft φ35, splined both 6-φ35 × 29 × 10									
	DMTZ		Z2 2-φ14 法兰 φ140, 止口 φ100 × 9 Z4 4-φ13 正法兰 φ160, 止口 φ125 × 8 B2 4-φ13 法兰 φ100 × 6									

Note: When the table is used, please fill the code of left rows in the table and give us, which the code information is consists of construction, displacement, mounting flange, output shaft and ports. If the specification is not in the table or you have specific requirements, please contact us.

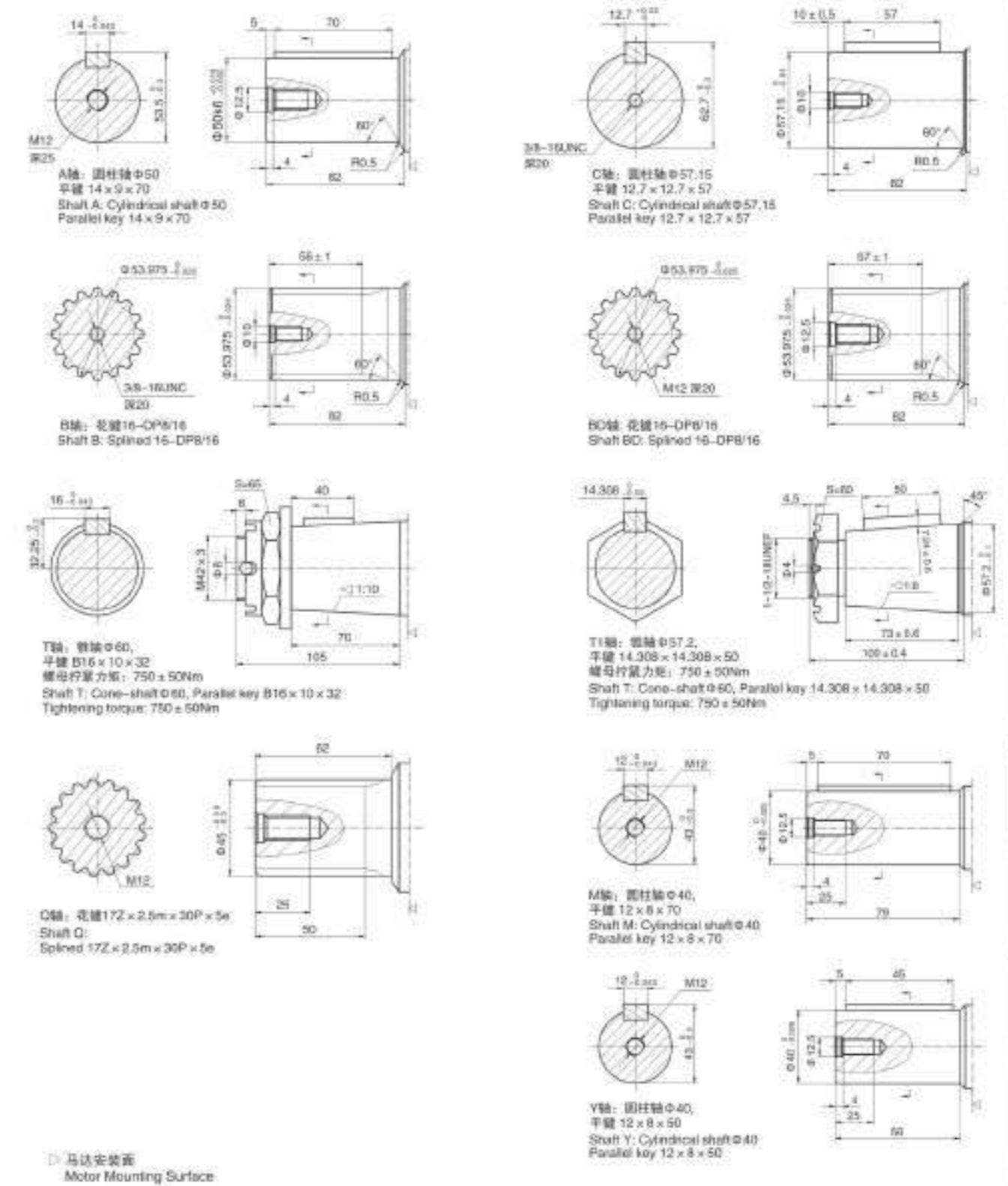
OMVE 安装连接尺寸/ OMVE Installation Dimensions



注: 1. 转定子厚度为: L1+7
Note: The thickness of the stator and rotor is the dimension of L1 adding on 7mm.

连接形式 Mounting	代号 Code	D(深) (depth)	M(深) (depth)	S(深) (depth)	G(深) (depth)	M5(深) (depth)	D1(深) (depth)
P(A,B)		G1 (18)	M33×2 (18)	1-5/16-12UNC (18)	G1 (18)	M33×2 (18)	G3/4 (18)
T		G1/4 (12)	M14×1.5 (12)	8/16-18UNF (12)	G1/4 (12)	M14×1.5 (12)	G1/4 (12)
C		4-M12 (12)	4-M12 (12)	-	-	-	4×M12 (12)

OMV 轴伸连接尺寸/ OMV Output Shaft Dimensions



1	2	3	4	5	6	7	8
型号	排量	法兰、止口	轴伸	接口、外接口	轴向工艺	特殊选项	特殊功能
OMV	315 400 500 630 800 1000	4 W	A BD B C T T1 Q	D M S G M5 D1	无 标准 R 反向	00 无 B 黑漆 S 银灰漆	无 焊接
OMVE	K6 K4	K6 K4	M Y	M33 x 2 板式 4 x M12, M1 x 1.5 1-5/16-12UN, 9/16-18UNF G1, G1/4 M33 x 2, M14 x 1.5 G3/4 板式 4 x M12, G1/4			

注：用户在使用订货信息时，将马达结构、排量、安装法兰、轴伸、进出口等选项，选择左面灰色框内的代号并填入表格上面格式与我们即可。若所选规格不在上述表中或特殊需求，请与我们联系。

1	2	3	4	5	6	7	8
Type	Displacement	Flange	Output shaft	Ports and drain port	Position direction	Paint	Unusually function
OMV	315 400 500 630 800 1000	4 W	A BD B C T T1 Q	D M S G M5 D1	00 Omit B Black S Silver grey	Omit Blue Black Silver grey	Omit Standard
OMVE	K6 K4	K6 K4	M Y	M33 x 2 板式 4 x M12, G1/4 M1 x 1.5 1-5/16-12UN, 9/16-18UNF G1, G1/4 M5 M33 x 2, M14 x 1.5 D1 G3/4 板式 4 x M12, G1/4			

Note: When the table is used, please fill the code of left rows in the table and give us, which the code information is consists of construction, displacement, mounting flange, output shaft and ports. If the specification is not in the table or you have specific requirements, please contact us.



1、产品特点/ Product features	77
2、技术参数/ Technical data	77
3、安装联接尺寸/ Installation Dimensions	
OMK6 安装连接尺寸 OMK6 Installation Dimensions	78
OMK6 轴伸连接尺寸 OMK6 Output Shaft Dimensions	80
OMK6 油口连接尺寸 OMK6 Oil port Connection Dimensions	81
4、订货信息/ Order Information	82

OMK6系列/ OMK6 Serie

产品特点 / Product features

OMK6系列摆线液马达是一种先进的平面配流结构液马达，该系列马达使用摆线式转定子付，具有工作压力高，工作效率高，整机高效保持性好，工作寿命长的特点。可在标准结构的基础上根据用户需求进行多功能的变型设计。

其特点：

1. 采用先进的转定子参数设计，启动压力低，效率高并保持性好。
2. 先进平面配流结构，使马达配流精度高，磨损后自动补偿功能强，确保高的容积效率、马达寿命长，确保马达转速平稳、负载速度特性平稳。
3. 采用先进的旋转轴封设计，可承受高的背压能力。
4. 采用圆锥滚子轴承结构，承受轴、径向负荷能力强，马达可直接驱动工作机构，应用范围扩大。

OMK6 series motor adapt the advanced Geroler gear set designed with disc distribution flow and high pressure. The unit can be supplied the individual variant in operating multifunction in accordance with requirement of applications.

Characteristic features:

1. Advanced manufacturing devices for the Geroler gear set, which use low pressure of start-up, provide smooth and reliable operation and high efficiency.
2. Advanced design in disc distribution flow, which can automatically compensate in operating with high volume efficiency and long life, provide smooth and reliable operation.
3. Shaft seal can bear high pressure of back.
4. The output shaft adapts in tapered roller bearings that permit high axial and radial forces. The case can offers capacities of high pressure and high torque in the wide of applications.

技术参数/ Technical data

型号 Type	OMK6 200	OMK6 250	OMK6 315	OMK6 400	OMK6 500	OMK6 630	OMK6 800	OMK6 1000
排量 (cm ³ /rev.) Geometric displacement	195.6	246.1	311.6	391.3	490.8	623	802.4	981.6
最高转速 (rpm) Max. speed	连续 cont. 765	610	480	382	304	240	186	152
	断续 int. 665	830	690	570	455	360	280	230
最大扭矩 (N.m) Max. torque	连续 cont. 565	710	920	1160	1445	1480	1580	1675
	断续 int. 840	1080	1325	1625	1880	1890	1880	1860
最高工作压力 Max. pressure drop (MPa)	连续 cont. 20	20	20	20	20	17.5	14	14
	断续 int. 30	30	30	30	27.5	22.5	15.5	14
	峰值 peak 30	30	30	30	30	24	17.5	17
最大流量 (L/min) Max. flow	连续 cont. 150	150	150	150	150	150	150	150
	断续 int. 170	205	225	225	225	225	225	225
重量 Weight (kg)	25.3	26.6	27.3	28	28.8	29.6	30.5	32

* 额定转速、扭矩是指在额定流量、压力下的输出值。

* 连续值是指该排量马达可以连续工作的最大值。

* 断续值是指该排量马达在1分钟内工作6秒的最大值。

* 峰值是指该排量马达在1分钟内工作0.6秒的最大值。

* Rated speed and rated torque: output value of speed and torque under rated flow and rated pressure;

* Continuous pressure: Max. value of operating motor continuously;

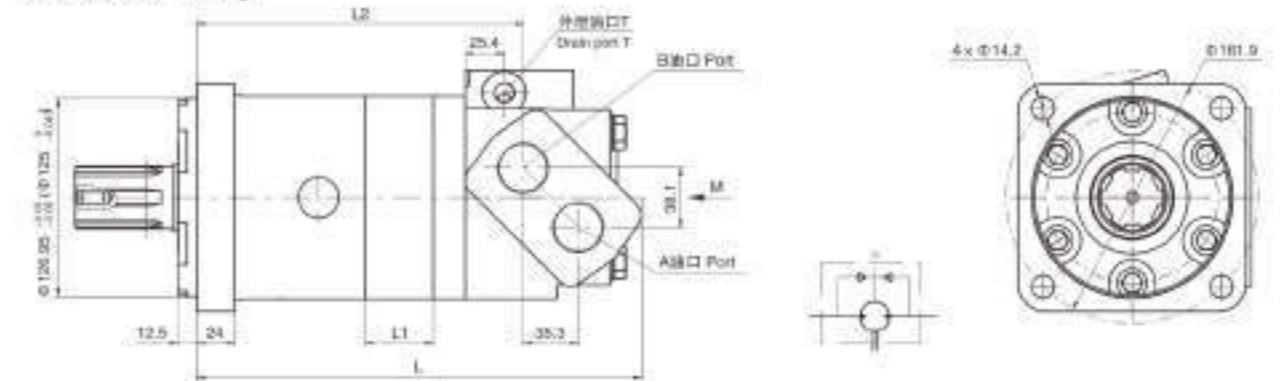
* Intermittent pressure: Max. value of operating motor in 6 seconds per minute;

* Peak pressure: Max. value of operating motor in 0.6 second per minute.

OMK6系列/ OMK6 Serie

OMK6 安装连接尺寸/ OMK6 Installation Dimensions

CC、CC1法兰 Flange

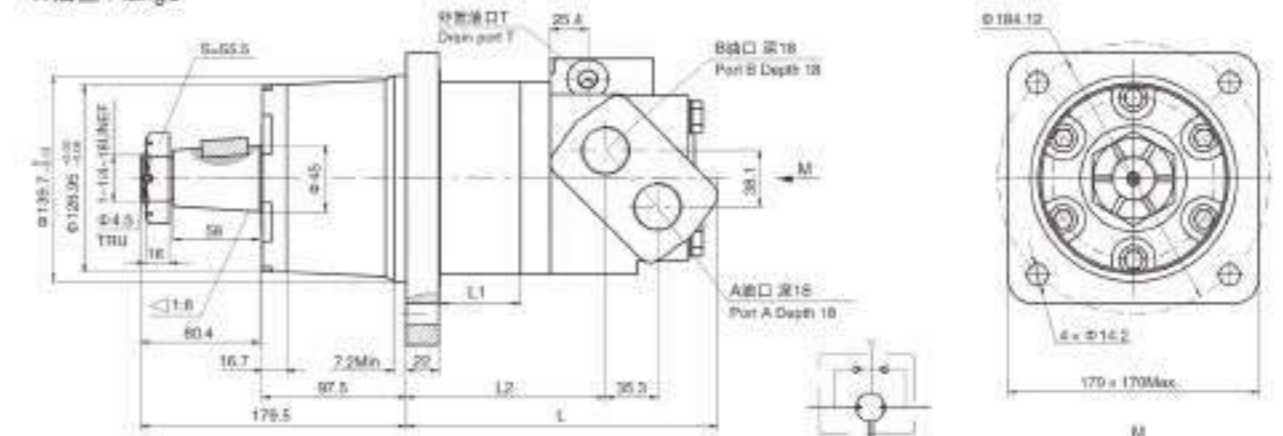


型号 Type	L	L1	L2
OMK6-200	265	21.7	187.5
OMK6-250	271	27.3	193.1
OMK6-315	278	34.5	200.3
OMK6-400	287	43.4	209.2
OMK6-500	298	54.4	220.2
OMK6-630	313	68.1	234.9
OMK6-800	333	89	254.8
OMK6-1000	353	108.9	274.7

输出轴的旋转方向：标准
当面对马达轴伸方向，A油口为高压油时，
输出轴顺时针方向旋转；
反之，则为逆时针方向旋转。

Direction of shaft rotation: Standard
When facing shaft end of motor, shaft to rotate.
Clockwise when port "A" is pressurized.
Counter-clockwise when port "B" is pressurized.

W法兰 Flange



型号 Type	L	L1	L2
OMK6-200	179	21.7	102.5
OMK6-250	185	27.3	108
OMK6-315	192	34.5	115.5
OMK6-400	201	43.4	124.5
OMK6-500	212	54.4	135.5
OMK6-630	226.7	68.1	150.2
OMK6-800	246.5	89	170
OMK6-1000	266.5	108.9	190

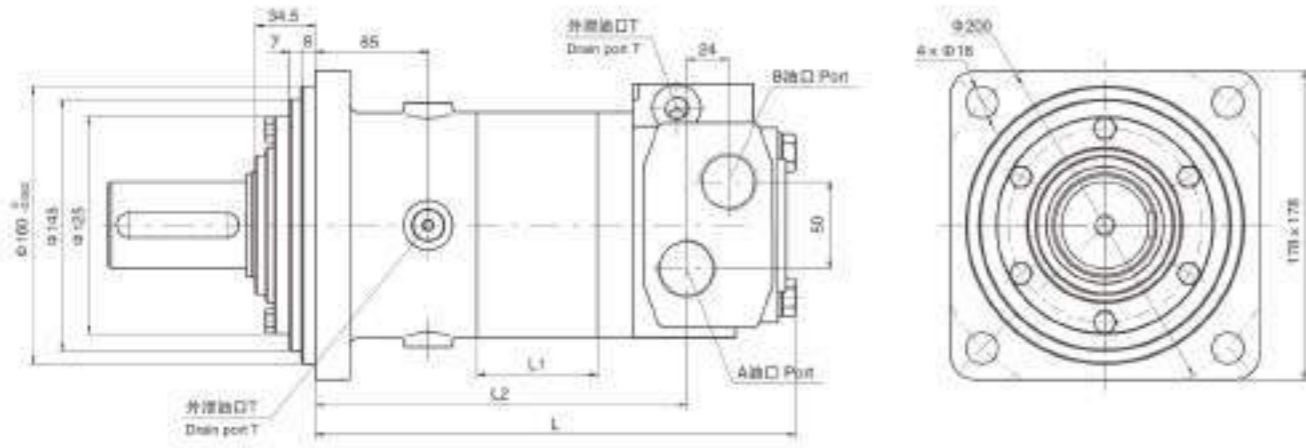
输出轴的旋转方向：标准
当面对马达轴伸方向，A油口为高压油时，
输出轴顺时针方向旋转；
反之，则为逆时针方向旋转。

Direction of shaft rotation: Standard
When facing shaft end of motor, shaft to rotate.
Clockwise when port "A" is pressurized.
Counter-clockwise when port "B" is pressurized.

OMK6系列/ OMK6 Serie

OMK6 安装连接尺寸/ OMK6 Installation Dimensions

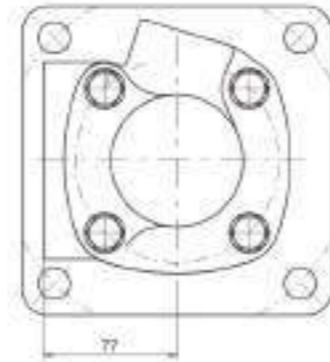
J6法兰 Flange



型号 Type	L	L1	L2
OMK6-200	230	21.7	166
OMK6-250	236	27.3	172
OMK6-315	243	34.5	179
OMK6-400	252	43.4	188
OMK6-500	263	54.4	199
OMK6-630	277.5	69.1	213.5
OMK6-800	297.5	89	233.5
OMK6-1000	317.5	108.9	253.5

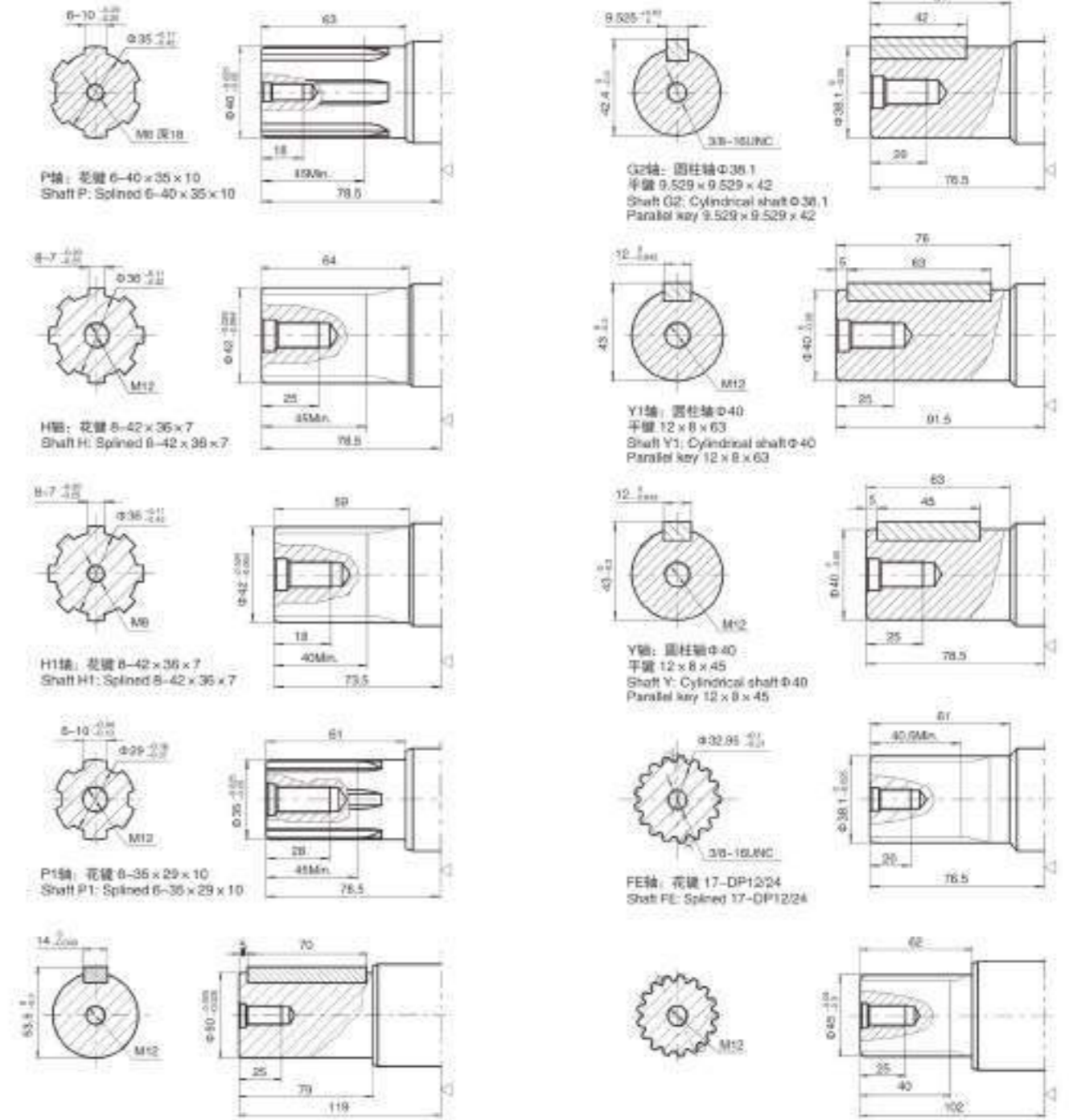
输出轴的旋转方向: 标准
 当面对马达轴伸方向, A油口为高压油时,
 输出轴顺时针方向旋转; 反之, 则逆时针方向旋转。
 无单向阀, M14 x 15外泄油口必须接回油箱。

Direction of shaft rotation: Standard
 When facing shaft end of motor, shaft to rotate, Clockwise
 when port "A" is pressurized. Counter-clockwise
 when port "B" is pressurized. No one-way valve,
 M14 x 15 leakage oil port must be back to the tank.



OMK6系列/ OMK6 Serie

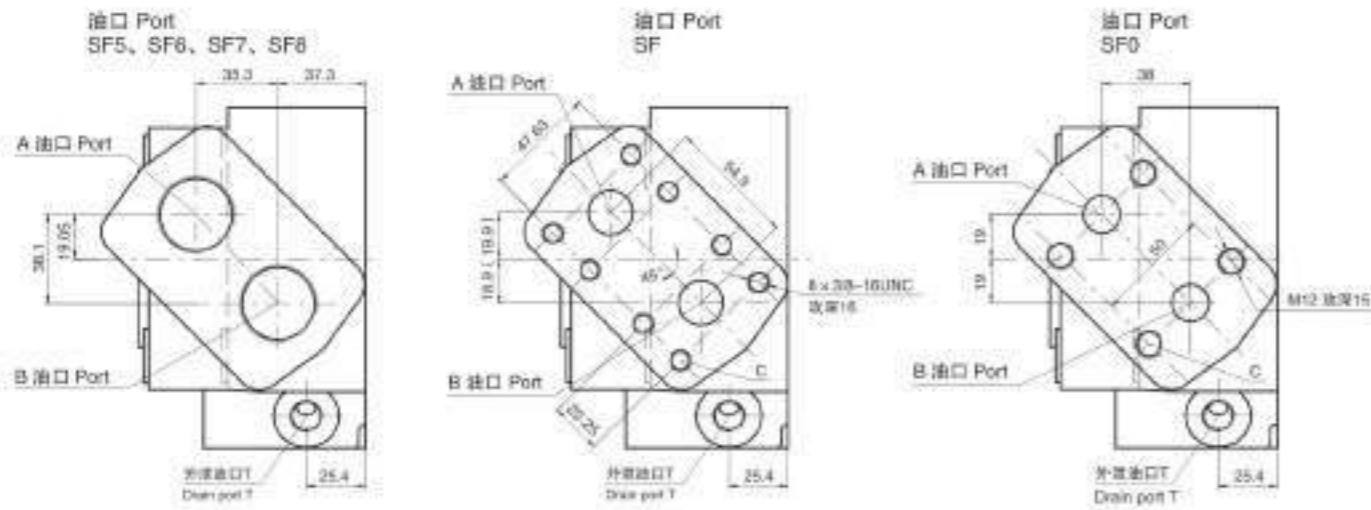
OMK6 轴伸连接尺寸/ OMK6 Output Shaft Dimensions



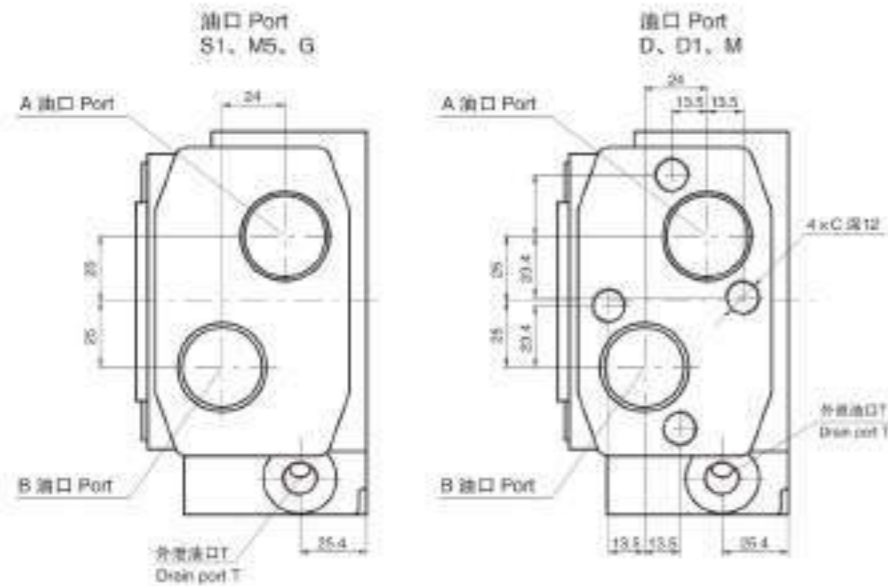
▷ 马达安装面
 Motor Mounting Surface

OMK6系列/ OMK6 Serie

OMK6 油口连接尺寸/ OMK6 Oil port Connection Dimensions



连接形式 Mounting	代号 Code	SF5(深) (depth)	SF6(深) (depth)	SF7(深) (depth)	SF8(深) (depth)	SF(深) (depth)	SF0(深) (depth)
P (A,B)		1-5/16-12UNC (18)	M33 x 2 (18)	G1 (18)	G3/4 (18)	φ19.05	φ16
T		7/16-20UNF (12)	M14 x 1.5 (12)	G1/4 (12)	G1/4 (12)	7/16-20UNF (18)	M14 x 1.5 (12)
C		-	-	-	-	8 x 3/8-16UNC	4 x M12



连接形式 Mounting	代号 Code	S1(深) (depth)	M5(深) (depth)	G(深) (depth)	D(深) (depth)	D1(深) (depth)	M(深) (depth)
P (A,B)		1-5/16-12UNC(18)	M33 x 2(18)	G1(18)	G1(18)	G3/4(18)	M33 x 2(18)
T		7/16-20UNF(12)	M14 x 1.5(12)	G1/4(12)	G1/4(12)	G1/4(12)	M14 x 1.5(12)
C		-	-	-	4 x M12	4 x M12	4 x M12

OMK6系列/ OMK6 Serie

订货信息/ Order Information

1	2	3	4	5	6	7	8	
型号	排量	法兰, 止口	轴伸	油口, 外置口	转向工位	故障选项	特殊功能	
OMK6	200 250 315 400 500 630 800 1000	CC	G2 FE Y1 Y H H1 P P1	CC CC1 W J6	SF SF0 SF5 SF6 SF7 SF8 S1 M5 G D D1 M	美 R	00 无 蓝漆 B 黑漆 S 银灰漆	无 管吸
		CC	G2 FE Y1 Y H H1 P P1	CC CC1 W J6	SF SF0 SF5 SF6 SF7 SF8 S1 M5 G D D1 M	美 R	00 无 蓝漆 B 黑漆 S 银灰漆	无 管吸
		CC	G2 FE Y1 Y H H1 P P1	CC CC1 W J6	SF SF0 SF5 SF6 SF7 SF8 S1 M5 G D D1 M	美 R	00 无 蓝漆 B 黑漆 S 银灰漆	无 管吸
		CC	G2 FE Y1 Y H H1 P P1	CC CC1 W J6	SF SF0 SF5 SF6 SF7 SF8 S1 M5 G D D1 M	美 R	00 无 蓝漆 B 黑漆 S 银灰漆	无 管吸
		CC	G2 FE Y1 Y H H1 P P1	CC CC1 W J6	SF SF0 SF5 SF6 SF7 SF8 S1 M5 G D D1 M	美 R	00 无 蓝漆 B 黑漆 S 银灰漆	无 管吸
		CC	G2 FE Y1 Y H H1 P P1	CC CC1 W J6	SF SF0 SF5 SF6 SF7 SF8 S1 M5 G D D1 M	美 R	00 无 蓝漆 B 黑漆 S 银灰漆	无 管吸
		CC	G2 FE Y1 Y H H1 P P1	CC CC1 W J6	SF SF0 SF5 SF6 SF7 SF8 S1 M5 G D D1 M	美 R	00 无 蓝漆 B 黑漆 S 银灰漆	无 管吸
		CC	G2 FE Y1 Y H H1 P P1	CC CC1 W J6	SF SF0 SF5 SF6 SF7 SF8 S1 M5 G D D1 M	美 R	00 无 蓝漆 B 黑漆 S 银灰漆	无 管吸
		CC	G2 FE Y1 Y H H1 P P1	CC CC1 W J6	SF SF0 SF5 SF6 SF7 SF8 S1 M5 G D D1 M	美 R	00 无 蓝漆 B 黑漆 S 银灰漆	无 管吸
		CC	G2 FE Y1 Y H H1 P P1	CC CC1 W J6	SF SF0 SF5 SF6 SF7 SF8 S1 M5 G D D1 M	美 R	00 无 蓝漆 B 黑漆 S 银灰漆	无 管吸
		CC	G2 FE Y1 Y H H1 P P1	CC CC1 W J6	SF SF0 SF5 SF6 SF7 SF8 S1 M5 G D D1 M	美 R	00 无 蓝漆 B 黑漆 S 银灰漆	无 管吸
		CC	G2 FE Y1 Y H H1 P P1	CC CC1 W J6	SF SF0 SF5 SF6 SF7 SF8 S1 M5 G D D1 M	美 R	00 无 蓝漆 B 黑漆 S 银灰漆	无 管吸

注: 用户在引用订货信息时, 将马达结构, 排量, 安装法兰, 轴伸, 进出油口等信息, 或按左面作轴伸位的代号按上面格式与轴伸位即可。轴伸或轴伸不在上述表中或特殊需求, 请与我们联系。

Note: When the table is used, please fill the code of left lines in the table and give us, which the code information is consists of construction, displacement, mounting flange, output shaft and ports. If the specification is not in the table or you have specific requirements, please contact us.

OMR-BK01 目录 / Contents



1、产品特点/ Product features	84
2、技术参数/ Technical data	84
3、安装联接尺寸/ Installation Dimensions	
OMR-BK01 油口连接尺寸 OMR-BK01 Oil port Connection Dimensions	85
4、订货信息/ Order Information	86

OMR-BK01系列/ OMR-BK01 Serie

产品特点/ Product features

OMR-BK01系列内置制动器摆线液压马达是一种在OMR系列轴配摆线液压马达内部增加机械装置，使其具有制动功能的摆线液压马达。

- 其特点：
- 1、采用先进的转定子参数设计，启动压力低，效率较高，并保持性好，运转平稳。
 - 2、可采用高压轴封，仅仅允许马达单独使用，不允许串联。
 - 3、联动轴特殊设计，马达使用寿命长。
 - 4、特殊系统参数设计，可满足低噪音要求。
 - 5、结构紧凑，安装方便。
 - 6、内置制动器体积小，制动力大，集成使用方便。

OMR-BK01 Series hydraulic motor with brake extending OMR series motor range. This motor has an integrated holding brake.

- Characteristic features:
- 1、Advanced manufacturing devices for the Geroler gear set, which use low pressure of start-up, provide smooth, reliable operation and high efficiency.
 - 2、Shaft seal can bear high pressure of back and the motor can be use in parallel or in series.
 - 3、Special design in the driver-linker and prolong operating life.
 - 4、Special design for distribution system can meet the requirement of low noise of unit.
 - 5、Compact volume and easy installation.
 - 6、Small volume and radial dimension, high holding torque, power brake, low weight and easy to install.

技术参数/ Technical data

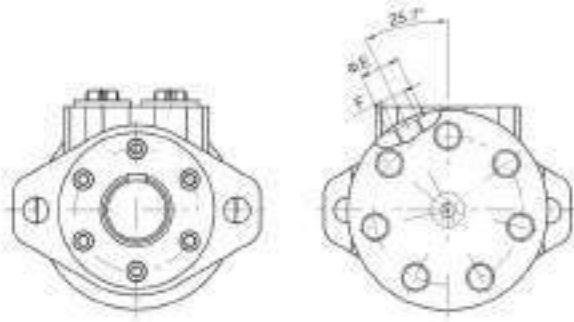
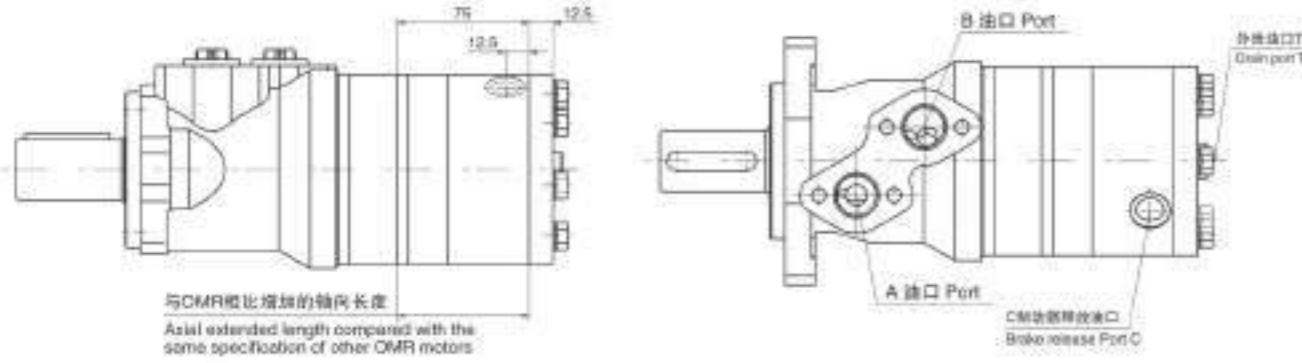
型号 Type	OMR-BK01 50	OMR-BK01 60	OMR-BK01 100	OMR-BK01 125	OMR-BK01 160	OMR-BK01 200	OMR-BK01 250	OMR-BK01 315	OMR-BK01 375
排量 (cm³/rev.) Geometric displacement	51.7	61.5	102	128	157	195	253	318	381
最高转速 (rpm) Max. speed	额定 rated	490	478	421	341	276	212	169	141
	连续 cont.	509	502	467	459	372	301	231	184
	断续 int.	603	598	574	574	465	376	289	192
最大扭矩 (N.m) Max. torque	额定 rated	104	164	205	258	318	335	437	465
	连续 cont.	103	203	254	317	391	359	437	465
	断续 int.	88.6	160	200	250	308	333	473	520
最大输出功率 (kw) Max. output	额定 rated	5.3	8.2	10.3	11.3	11.3	9.7	9.7	8.1
	连续 cont.	5.5	10.7	13.2	15.2	15.2	11.3	10.6	8.1
	断续 int.	5.6	10	12	15	15	13.1	14.3	10.5
最高工作压力 Max. pressure drop (MPa)	额定 rated	14	14	14	14	14	12	12	10
	连续 cont.	14	17.5	17.5	17.5	17.5	13	12	10
	断续 int.	17.5	20	20	20	20	17.5	13	11
最大流量 (L/min) Max. flow	额定 rated	26	40	50	55	55	55	55	55
	连续 cont.	27	42	52	60	60	60	60	65
	断续 int.	32	50	60	75	75	75	75	75
制动器开启压力 (MPa) Min. opening pressure	1.7—2.2								
进油口最大承压 (MPa) Max. inlet pressure	25								
制动油口最大承压 (MPa) Max. brake release port pressure	25								
静态制动最大制动力矩 (Nm) Max. static torque	500—560								
重量 Weight (kg)	11.7	11.9	11.9	12.2	12.5	13	13.5	14	14.5

- * 额定转速、扭矩是指在额定流量、压力下的输出值。
 * 连续值是连续流量马达可以连续工作的最大值。
 * 断续值是连续流量马达在1分钟内工作5秒的最大值。
 * 内置制动器为常闭式静态制动器。使用注意如下：
 马达工作时，制动器释放油口压力必须大于2.2MPa；马达停止后制动状态，制动器释放油口压力必须小于1.7MPa，最佳为0MPa。所以使用时必须注意制动器所在油路系统的背压最好为0MPa。

- * Rated speed and rated torque: output value of speed and torque under rated flow and rated pressure.
 * Continuous pressure: Max. value of operating motor continuously.
 * Intermittent pressure: Max. value of operating motor in 5 seconds per minute.
 * Peak pressure: Max. value of operating motor in 0.5 second per minute.
 * Such kind of brake is only used in static parking brake. Dynamic braking is not recommended.
 When the motor integrated with brake is working, the pressure at releasing port must be more than 2.2MPa. In the status of braking, the pressure at releasing port must be less than 1.7 MPa, optimally 0 MPa. It is attention in use that the back pressure of the oil circuit is the best 0 MPa.

OMR-BK01系列/ OMR-BK01 Serie

OMR-BK01 油口连接尺寸/ OMR-BK01 Oil port Connection Dimensions



C油口代号 Model Port C	φE	F
G	22	G1/4深 Depth 9

说明：选择尺寸全部可以参照OMR系列标准液压马达；轴向长度如上所示地减75mm。C油口为制动释放油口，位置如上图所示。
 Note: The mount data is completely referred to OMR series motor. The axial extended length reduces 75mm as picture. Port C is brake releasing port, the position is as picture.

OMR-BK01系列/ OMR-BK01 Serie

订货信息/ Order Information

1	2	3	4	5	6	7	8	9
型号 Type	排量 Displacement	法兰、止口 Flange	轴伸 Output shaft	端口、外泄口 Ports and drain port	制动释放油口 Brake release Port	转向工况 Rotation direction	油漆选项 Paint	特殊功能 Unusually function
OMR-BK01	50 80 100 125 160 200 250 315 375	2-φ13.5 flange-flange, 止口φ82.5 x 8 4-φ13.5 flange-flange, 止口φ82.5 x 8 4-φ13.5 flange-flange, 止口φ82.5 x 8 4-3/8-16 Square-flange, 止口φ44.4 x 2.8 4-M10 法兰, 止口φ44.4 x 2.8	A 轴伸φ25, 平键B x 7 x 32 B 轴伸φ25, 平键10 x 8 x 45 C 轴伸φ25.4, 平键φ35 x 8.35 x 31.75 E 轴伸φ25.4, 花键SAE 60 F 轴伸φ25.4, 平键φ35 x 8.35 x 31.75 FD 轴伸φ31.75, 花键14-DP1204 G 轴伸φ31.75, 平键7.96 x 7.96 x 31.75 T 轴伸φ28.56, 平键B5 x 5 x 14	D G1/2 板式 4 x M8, G1/4 M M22 x 1.5 板式 4 x M8, M14 x 1.5 S 7/8-14 O-ring 板式 4 x 5/16-18UNF, 7/16-20UNF P 1/2-14 NPTF 板式 4 x 5/16-18UNF, 7/16-20UNF R PT(Rc)1/2 板式 4 x M8, PT(Rc)1/4	G G1/4 深度 9 facing φ22	00 标准 R 反向	00 不喷漆 无 蓝漆 B 黑漆 S 银灰漆	0 标准 N 大径向力 0 无外泄

注：用户在使用订货信息时，将马达结构、排量、安装法兰、轴伸、进出油口等信息，选择左面作色表格的代号填入表格内给我们即可。某些选项若不在此表中或特殊要求，请与我们联系。

1	2	3	4	5	6	7	8	9
OMR-BK01	50 80 100 125 160 200 250 315 375	2-φ13.5 flange-flange, 止口φ82.5 x 8 4-φ13.5 flange-flange, 止口φ82.5 x 8 4-φ13.5 flange-flange, 止口φ82.5 x 8 4-3/8-16 Square-flange, 止口φ44.4 x 2.8 4-M10 法兰, 止口φ44.4 x 2.8	A 轴伸φ25, parallel Key B x 7 x 32 B 轴伸φ25.4, parallel Key 6.35 x 6.35 x 31.75 C 轴伸φ25.4, splined tooth SAE 60 E 轴伸φ25.4, parallel Key 6.35 x 6.35 x 31.75 H 轴伸φ31.75, parallel Key 10 x 8 x 45 F 轴伸φ31.75, splined tooth 14-DP1204 FD Long shaft φ31.75, splined tooth 14-DP1204 G 轴伸φ31.75, parallel Key 7.96 x 7.96 x 31.75 T Cone-Shaft φ28.56, parallel Key B5 x 5 x 14	D G1/2 Manifold Mount 4 x M8, G1/4 M M22 x 1.5 Manifold Mount 4 x M8, M14 x 1.5 S 7/8-14 O-ring Manifold Mount 4 x 5/16-18UNF, 7/16-20UNF P 1/2-14 NPTF Manifold Mount 4 x 5/16-18UNF, 7/16-20UNF R PT(Rc)1/2 Manifold Mount 4 x M8, PT(Rc)1/4	G G1/4 深度 9 facing φ22	00 标准 R 相反	00 No paint Blue Black Silver gray	0 标准 N Big radial force 0 No case drain

注意：当表格左起第二列的代号填入表格内时，请参照表格左面的信息。某些选项若不在此表中或特殊要求，请与我们联系。
 Note: When the table is used, please fill the code of left rows in the table and give us, which the code information is consists of construction, displacement, mounting flange, output shaft and ports. If the specification is not in the table or you have specific requirements, please contact us.



1、产品特点/ Product features	88
2、技术参数/ Technical data	88
3、安装联接尺寸/ Installation Dimensions	
OMER-2 安装连接尺寸 OMER-2 Installation Dimensions	89
OMER-2 轴伸连接尺寸 OMER-2 Output Shaft Dimensions	91
OMER-3 安装连接尺寸 OMER-3 Installation Dimensions	92
OMER-3 轴伸连接尺寸 OMER-3 Output Shaft Dimensions	92
OMER-4 安装连接尺寸 OMER-4 Installation Dimensions	93
OMER-4 轴伸连接尺寸 OMER-4 Output Shaft Dimensions	94
4、订货信息/ Order Information	95

产品特点 / Product features

OMER系列摆线液压马达是一种先进的高速配流结构液压马达，该系列马达使用摆线式转定子付，具有工作压力高，工作效率高，低速稳定性好，能够保持高的容积效率，整机高效保持性好，工作寿命长的特点。可在标准结构的基础上根据用户需求进行多功能的变型设计。其特点：

- 1、采用先进的转定子参数设计，启动压力低，效率高并保持性好。
- 2、工作压力高，输出扭矩大，采用滚针轴承结构，承受轴、径向负荷能力强，使马达可直接驱动工作机构，使用范围扩大。
- 3、先进高速配流结构，使马达配流精度高，磨损后自动补偿能力强，确保高的容积效率、马达长寿命，确保马达转速平稳、负载速度特性平稳。
- 4、配流系统具有低速漏的特性，配流的旋转速度是输出转速的6倍，使马达配流精度高，磨损后自动补偿能力强，确保高的容积效率，马达具有在低速下平稳运动的特性。

OMER series motor adapt the advanced Geroler gear set designed with high speed distribution flow and high pressure, and have good stability in low speed, and can keep high volume efficiency. The unit can be supplied the individual variant in operating multifunction in accordance with requirement of applications.

Characteristic features:

- 1、Advanced manufacturing devices for the Geroler gear set, which use low pressure of start-up, provide smooth and reliable operation and high efficiency.
- 2、The output shaft adapts in needle roller bearings that permit high axial and radial forces. The case can offers capacities of high pressure and high torque in the wide of applications.
- 3、Advanced design in high speed distribution flow, which can automatically compensate in operating with high volume efficiency and long life, provide smooth and reliable operation.
- 4、Lowest leakage rate, most accurate timing methods. Commutator rotates 6x faster than shaft speed. It make the distribution in a high precision reduces life-cycle cost, maintain high volume efficiencies and can run very smoothly at low speed, gear box not required.

技术参数/ Technical data

型号 Type		OMER 125	OMER 160	OMER 200	OMER 230	OMER 250	OMER 300	OMER 350	OMER 375	OMER 400	OMER 475	OMER 540	OMER 650	OMER 750
排量 (cm ³ /rev.) Geometric displacement		118	156	198	228	257	296	345	371	406	462	540	647	745
最高转速 (rpm) Max. speed	连续 cont.	360	375	330	290	290	250	220	200	185	160	140	115	100
	断续 int.	490	470	425	365	350	315	270	240	220	195	170	138	120
最大扭矩 (N.m) Max. torque	连续 cont.	325	450	530	625	700	810	905	990	1010	1085	880	1015	1050
	断续 int.	380	525	600	710	790	930	1035	1140	1180	1180	1240	1250	1180
	峰值 peak	450	590	750	870	980	1120	1285	1360	1360	1260	1380	1380	1370
最大功率 (kW) Max. output	连续 cont.	12.0	15.0	15.5	16.0	17.5	18.0	17.5	16.5	15.5	14.5	11.5	10.0	8.0
	断续 int.	14.0	17.5	18.0	19.0	20.0	21.0	20.0	19.0	18.0	16.5	15.0	12.0	10.0
最高压力 (Mpa) Max. pressure drop	连续 cont.	20.5	20.5	20.5	20.5	20.5	20.5	20.5	20.5	19	17.5	14	12	10.5
	断续 int.	24	24	24	24	24	24	24	24	22.5	19	17.5	15.5	12
	峰值 peak	27.6	27.6	27.6	27.6	27.6	27.6	27.6	27.6	25	20.5	20.5	17.5	14
最大流量 (L/min) Max. flow	连续 cont.	45	60	70	70	75	80	80	75	75	75	75	75	75
	断续 int.	60	75	85	85	90	95	95	90	90	90	90	90	90

* 额定转速、扭矩是指在额定流量、压力下的输出值。

* 连续值是指该排量马达可以连续工作的最大值。

* 断续值是指该排量马达在1分钟内工作6秒的最大值。

* 峰值是指该排量马达在1分钟内工作0.6秒的最大值。

* Rated speed and rated torque: output value of speed and torque under rated flow and rated pressure;

* Continuous pressure: Max.value of operating motor continuously;

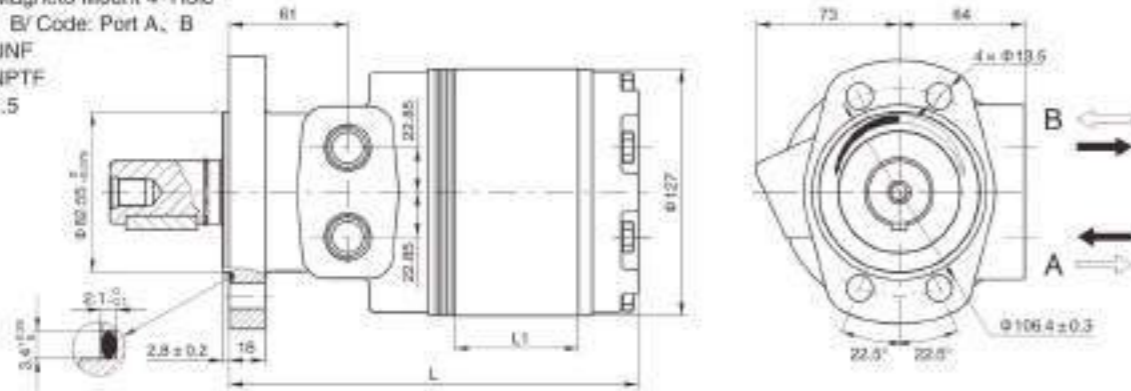
* Intermittent pressure: Max.value of operating motor in 6 seconds per minute;

* Peak pressure: Max.value of operating motor in 0.6 second per minute.

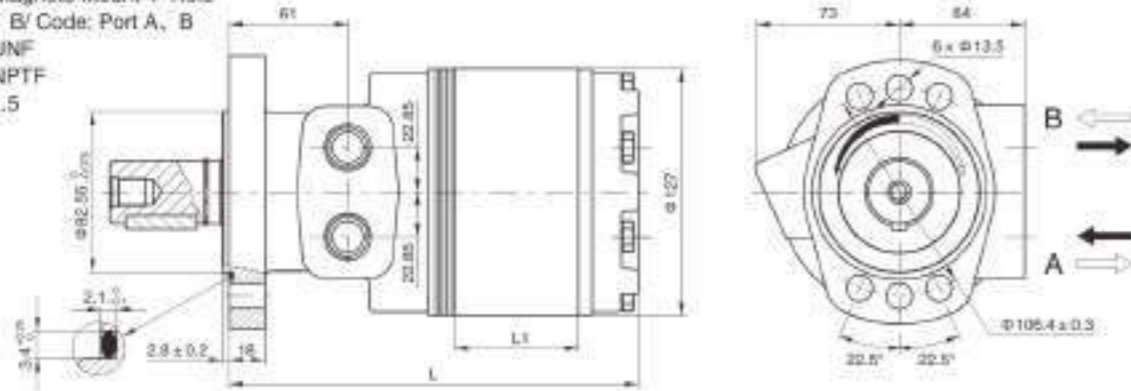
OMER系列/ OMER Serie

OMER-2 安装连接尺寸/ OMER-2 Installation Dimensions

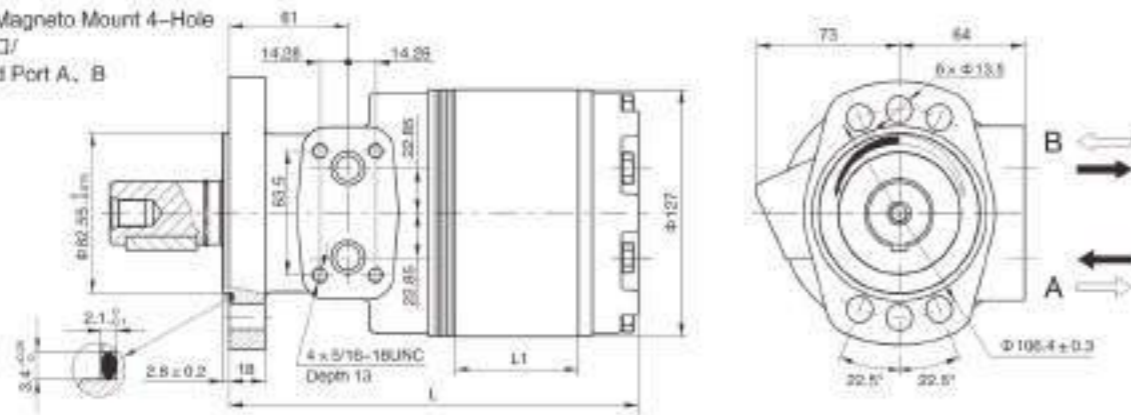
4孔腰型法兰/ Magneto Mount 4-Hole
 代号: 油口 A, B/ Code: Port A, B
 MS 7/8-14UNF
 MP 1/2-14NPTF
 MG M22 x 1.5
 MD G1/2



6孔腰型法兰/ Magneto Mount 4-Hole
 代号: 油口 A, B/ Code: Port A, B
 FS 7/8-14UNF
 FP 1/2-14NPTF
 FG M22 x 1.5
 FD G1/2



6孔腰型法兰/ Magneto Mount 4-Hole
 代号: 模式油口/
 Code: Manifold Port A, B
 FH $\phi 12.7$

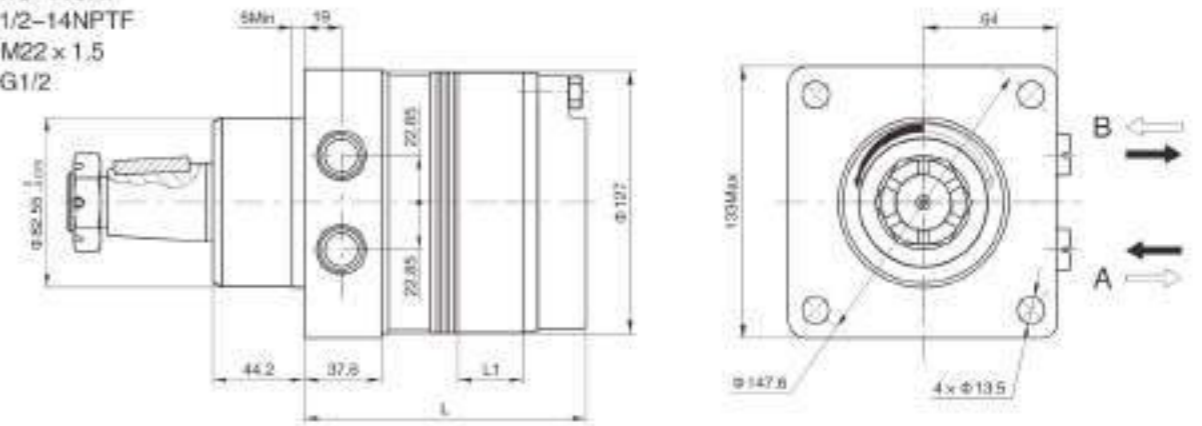


排量 Displacement (cm ³ /rev.)	125	160	200	230	250	300	350	375	400	475	540	650	750
L1(mm)	10.2	13.5	17	19.5	22	25.4	29.5	31.8	35.5	39.4	47.3	57	63.5
L(mm)	159	162	165.5	168	170.5	174	178	180.5	184	188	196	204	212
重量 Weight (kg)	10.6	10.9	11.2	11.3	11.4	11.6	12	12.5	12.7	13	13.5	14.5	15

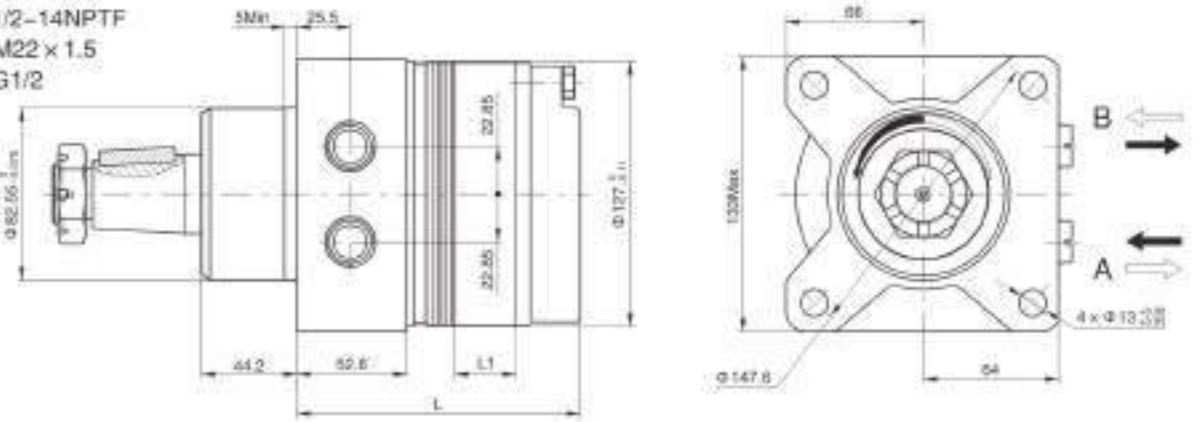
OMER系列/ OMER Serie

OMER-2 安装连接尺寸/ OMER-2 Installation Dimensions

车轮安装法兰/ Wheel Mount
 代号: 油口 A, B/ Code: Port A, B
 WS 7/8-14UNF
 WP 1/2-14NPTF
 WG M22 x 1.5
 WD G1/2



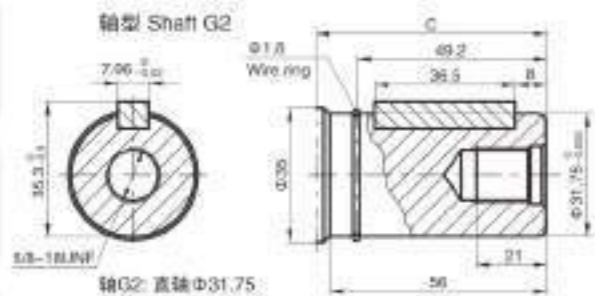
车轮安装法兰/ Wheel Mount
 代号: 油口 A, B/ Code: Port A, B
 TS 7/8-14UNF
 TP 1/2-14NPTF
 TG M22 x 1.5
 TD G1/2



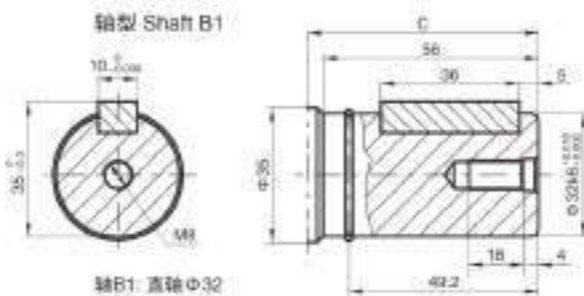
排量 Displacement (cm ³ /rev.)	125	160	200	230	250	300	350	375	400	475	540	650	750
L1(mm)	10.2	13.5	17	19.5	22	25.4	29.5	31.8	35.5	39.4	47.3	57	63.5
L(mm)	120	123	126.5	129	131.5	135	139	141.5	145	149	157	167	176
重量 Weight (kg)	12	12.1	12.3	12.4	12.6	13	13.2	13.5	13.7	14	14.6	15.5	16

OMER系列/ OMER Serie

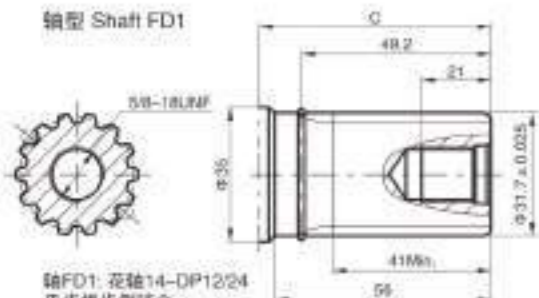
OMER-2 轴伸连接尺寸/ OMER-2 Shaft Extensions Dimensions Data



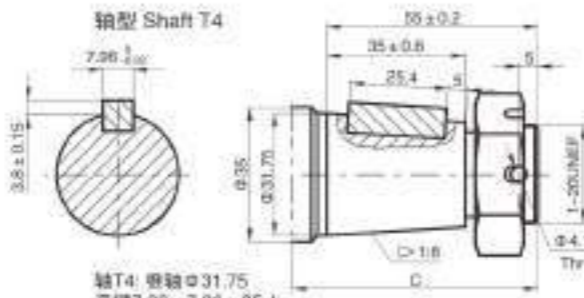
轴G2: 直轴 $\Phi 31.75$
平键 $7.96 \times 7 \times 36.5$
Shaft G2: Cylindrical shaft $\Phi 31.75$
Parallel key $7.96 \times 7 \times 36.5$



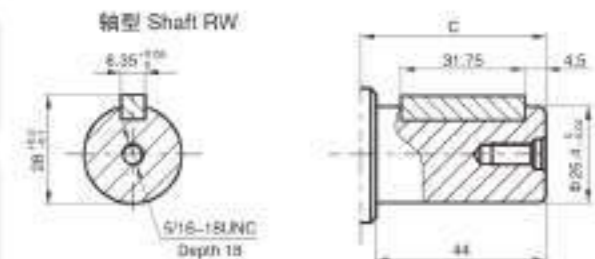
轴B1: 直轴 $\Phi 32$
平键 $10 \times 8 \times 36$
Shaft B1: Cylindrical shaft $\Phi 32$
Parallel key $10 \times 8 \times 36$



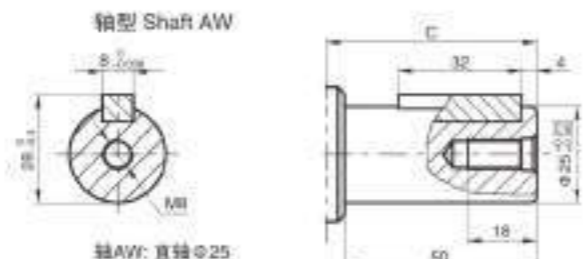
轴FD1: 花轴14-DP12/24
平齿根齿侧结合
To fit ANSI B92.1 1996
Shaft FD1: Splined 14-DP12/24
Flat root side fit
To fit ANSI B92.1 1996



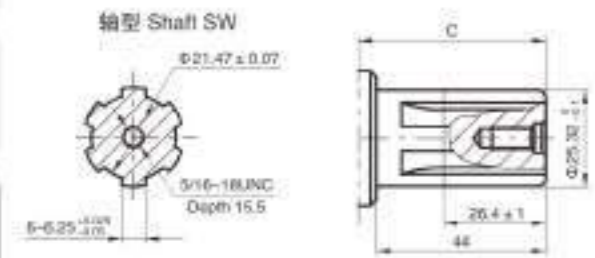
轴T4: 锥轴 $\Phi 31.75$
平键 $7.96 \times 7.96 \times 25.4$
扭紧扭矩: 200 ± 10 Nm
Shaft T4: Cone-shaft $\Phi 31.75$
Parallel key $7.96 \times 7.96 \times 25.4$
Tightening torque: 200 ± 10 Nm



轴RW: 直轴 $\Phi 25.4$
平键 $6.35 \times 6.35 \times 31.75$
Shaft RW: Cylindrical shaft $\Phi 25.4$
Parallel key $6.35 \times 6.35 \times 31.75$



轴AW: 直轴 $\Phi 25$
平键 $8 \times 7 \times 32$
Shaft AW: Cylindrical shaft $\Phi 25$
Parallel key $8 \times 7 \times 32$



轴SW: 花键SAE 6B
Shaft SW: Splined SAE 6B

从安装面至轴伸末端/ From Mounting Flange to Shaft End

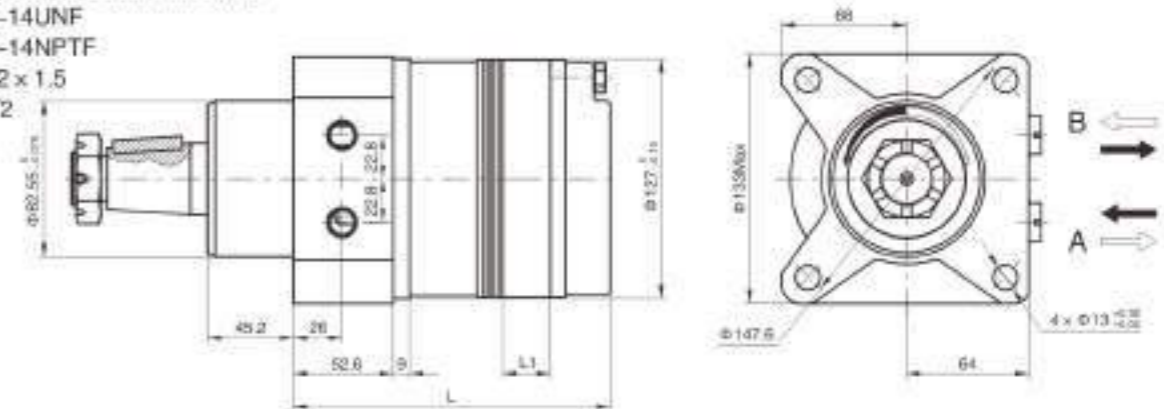
尺寸C/ Dimension C		
轴型代号 Shaft Code	碟型法兰 (mm) Magneto Mount	车轮法兰 (mm) Wheel Mount
G2	61	103
B1	61	103
FD1	61	103
T4	65	107
RW	50	91
AW	56	97
SW	50	91

OMER-2也可以安装 $\Phi 38.1$ 轴伸, 如T31, M1, G32等轴型, 请与销售经理或技术工程师联系。
OMER-2 can be configured $\Phi 38.1$ shaft seal. Shaft type T31 and M1 and G32. Please consult the sales manager.

OMER系列/ OMER Serie

OMER-3 安装连接尺寸/ OMER-3 Installation Dimensions

车轮安装法兰/ Wheel Mount
代号: 轴口 A, B/ Code: Port A, B
WS 7/8-14UNF
WP 1/2-14NPTF
WG M22 \times 1.5
WD G1/2



排量 Displacement (cm ³ /rev.)	125	160	200	230	250	300	350	375	400	475	540	650	750
L1(mm)	10.2	13.5	17	19.5	22	25.4	29.5	31.8	35.5	39.4	47.3	57	63.5
L(mm)	153	156	159.5	162	164.5	168	172	174.5	178	182	190	199.5	206
重量 Weight (kg)	13.2	13.5	13.8	14	14.2	14.5	14.9	15.2	15.5	15.7	16.5	17.3	17.8

OMER-3 轴伸连接尺寸/ OMER-3 Shaft Extensions Dimensions Data



轴M31: 直轴 $\Phi 35$
平键 $10 \times 8 \times 45$
Shaft M31: Cylindrical shaft $\Phi 35$
Parallel key $10 \times 8 \times 45$



轴T31: 锥轴 $\Phi 38.1$
平键 $7.96 \times 7 \times 36.5$
扭紧扭矩: $410-510$ Nm
Shaft T31: Cone-shaft $\Phi 38.1$
Parallel key $7.96 \times 7 \times 36.5$
Tightening torque: $410-510$ Nm



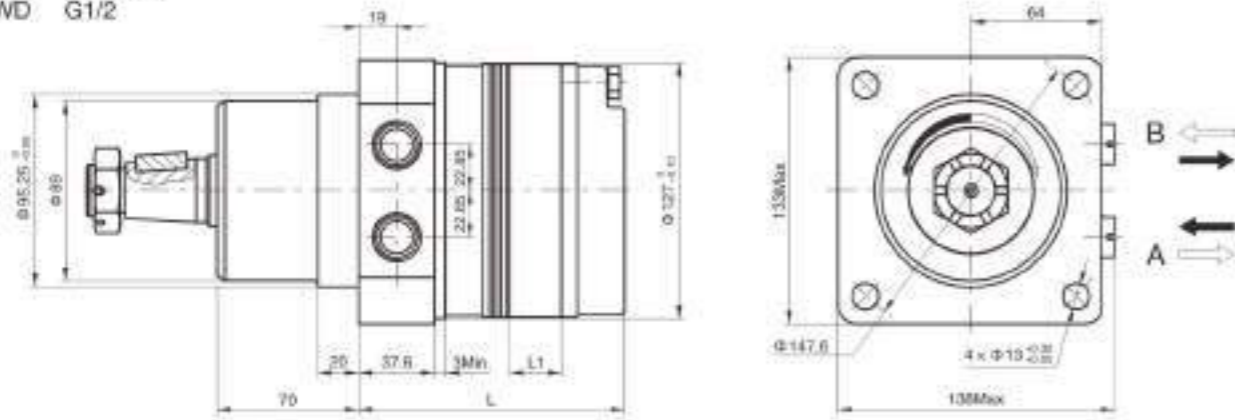
轴G31: 直轴 $\Phi 38.1$
平键 $9.525 \times 9.525 \times 42$
Shaft G31: Cylindrical shaft $\Phi 38.1$
Parallel key $9.525 \times 9.525 \times 42$

从安装面至轴伸末端/ From Mounting Flange to Shaft End

尺寸C/ Dimension C		
轴型代号 Shaft Code	碟型法兰 (mm) Magneto Mount	车轮法兰 (mm) Wheel Mount
M31	-	106
T31	-	117
G31	-	119

OMER-4 安装连接尺寸/ OMER-4 Installation Dimensions

车轮安装法兰/ Wheel Mount
 代号: 油口 A, B/ Code: Port A, B
 WS 7/8-14UNF
 WP 1/2-14NPTF
 WG M22 x 1.5
 WD G1/2



排量 Displacement (cm ³ /rev.)	125	160	200	230	250	300	350	375	400	475	540	650	750
L1(mm)	10.2	13.5	17	19.5	22	25.4	29.5	31.8	35.5	39.4	47.3	57	63.5
L(mm)	119	122	125.5	128	130.5	134.5	138	140.5	144.5	148	156	165.5	172
重量 Weight (kg)	12.8	13.1	13.4	13.6	13.8	14.1	14.5	14.8	15.2	15.6	16.1	16.9	17.4

OMER-4 轴伸连接尺寸/ OMER-4 Shaft Extensions Dimensions Data

轴型 Shaft G2

轴G2: 直轴 $\phi 31.75$
 平键 $7.96 \times 7 \times 36.5$
 Shaft G2: Cylindrical shaft $\phi 31.75$
 Parallel key $7.96 \times 7 \times 36.5$

轴型 Shaft B1

轴B1: 直轴 $\phi 32$
 平键 $10 \times 8 \times 36$
 Shaft B1: Cylindrical shaft $\phi 32$
 Parallel key $10 \times 8 \times 36$

轴型 Shaft FD1

轴FD1: 花轴 14-DP12/24
 平齿根侧倒角
 To fit ANSI B92.1 1996
 Shaft FD1: Splined 14-DP12/24
 Flat root side fit
 To fit ANSI B92.1 1996

轴型 Shaft T4

轴T4: 锥轴 $\phi 31.75$
 平键 $7.96 \times 7.96 \times 25.4$
 拧紧扭矩: $200 \pm 10 \text{Nm}$
 Shaft T4: Cone-shaft $\phi 31.75$
 Parallel key $7.96 \times 7.96 \times 25.4$
 Tightening torque: $200 \pm 10 \text{Nm}$

轴型 Shaft RW

轴RW: 直轴 $\phi 25.4$
 平键 $6.35 \times 6.35 \times 31.75$
 Shaft RW: Cylindrical shaft $\phi 25.4$
 Parallel key $6.35 \times 6.35 \times 31.75$

轴型 Shaft AW

轴AW: 直轴 $\phi 25$
 平键 $8 \times 7 \times 32$
 Shaft AW: Cylindrical shaft $\phi 25$
 Parallel key $8 \times 7 \times 32$

轴型 Shaft SW

轴SW: 花键SAE 6B
 Shaft SW: Splined SAE 6B

从安装面到轴伸末端/ From Mounting Flange to Shaft End
 尺寸C/ Dimension C

轴型代号 Shaft Code	车轮法兰 (mm) Wheel Mount
G2	131
B1	130
FD1	131
T4	135
RW	119
AW	119
SW	125

订货信息

1	2	3	4	5	6	7	
型号	排量	法兰、止口	轴伸	转向工况	油漆选项	特殊功能	
OMER-2	M5	4 × φ13.5螺型法兰, 止口φ82.55 × 2.8, 泄口7/8-14 O-ring	G2 φ31.75直轴, 平键7.96 × 7 × 36.5 B1 φ32直轴, 平键10 × 6 × 45 FD1 φ31.75花轴, 花键14-DP12/24 T4 φ31.75花轴, 平键7.96 × 7.96 × 26.4 FW φ25直轴, 平键6.35 × 6.35 × 31.75 AW φ2直轴, 平键8 × 7 × 32 SW φ25花轴, 花键SAE 6B	无 R: 反向	B 黑漆 S 银灰漆 00 不油漆 无 蓝漆	无	标准
	125	MP 4 × φ13.5螺型法兰, 止口φ82.55 × 2.8, 泄口1/2-14 NPTF					
	160	MG 4 × φ13.5螺型法兰, 止口φ82.55 × 2.8, 泄口M22 × 1.5					
	200	MD 4 × φ13.5螺型法兰, 止口φ82.55 × 2.8, 泄口G1/2					
	230	FS 6 × φ13.5螺型法兰, 止口φ82.55 × 2.8, 泄口7/8-14 O-ring					
	250	FP 6 × φ13.5螺型法兰, 止口φ82.55 × 2.8, 泄口1/2-14 NPTF					
	300	FG 6 × φ13.5螺型法兰, 止口φ82.55 × 2.8, 泄口M22 × 1.5					
	350	FD 6 × φ13.5螺型法兰, 止口φ82.55 × 2.8, 泄口G1/2					
	375	FH 6 × φ13.5螺型法兰, 止口φ82.55 × 2.8, 泄口1/2					
	400	WS 4 × φ13.5螺型法兰, 止口φ82.55 × 5, 泄口7/8-14 O-ring					
	475	WP 4 × φ13.5螺型法兰, 止口φ82.55 × 5, 泄口1/2-14 NPTF					
	540	WD 4 × φ13.5螺型法兰, 止口φ82.55 × 5, 泄口G1/2					
	650	TS 4 × φ13.5螺型法兰, 止口φ82.55 × 5, 泄口7/8-14 O-ring					
	750	TP 4 × φ13.5螺型法兰, 止口φ82.55 × 5, 泄口1/2-14 NPTF					
		TG 4 × φ13.5螺型法兰, 止口φ82.55 × 5, 泄口M22 × 1.5					
		TD 4 × φ13.5螺型法兰, 止口φ82.55 × 5, 泄口G1/2					
OMER-2	M1		φ35直轴, 平键10 × 6 × 40				
	T31		φ38直轴, 平键7.96 × 7 × 36.5				
	G32		φ38直轴, 平键φ.525 × 0.525 × 42				

注: 用户在使用订货信息时, 请填写结构、排量、安装法兰、泄口、泄出端口、轴伸、转向、油漆等信息, 选择左首件色部位的代号按上首格式写出给我们即可。若所选项格不在上列表中或特殊要求, (M1, T31, G32) 请与我们联系。

Order Information

1	2	3	4	5	6	7						
型号	排量	法兰、止口	轴伸	转向工况	油漆选项	特殊功能						
OMER-2	M5	4-φ13.5 Magneto Mount, Pilot φ82.55 × 2.8, Ports 7/8-14 O-ring	G2 Shaft φ31.75, parallel key 7.96 × 7 × 36.5 B1 Shaft φ32, Parallel key 10 × 6 × 45 FD1 Shaft φ31.75, splined key 14-DP12/24 T4 Core-Shaft φ31.75 Parallel key 7.96 × 7.96 × 26.4 FW Shaft φ25.4, parallel key 6.35 × 6.35 × 31.75 AW Shaft φ25, parallel key 6 × 7 × 32 SW Shaft φ25.4, splined key SAE 6B	None R: Reverse timed	B No paint S Blue 00 Black None Silver Grey	None Standard	标准					
	125	MP 4-φ13.5 Magneto Mount, Pilot φ82.55 × 2.8, Ports 1/2-14NPTF										
	160	MD 4-φ13.5 Magneto Mount, Pilot φ82.55 × 2.8, Ports G1/2										
	200	FS 6-φ13.5 Magneto Mount, Pilot φ82.55 × 2.8, Ports 7/8-14 O-ring										
	230	FP 6-φ13.5 Magneto Mount, Pilot φ82.55 × 2.8, Ports 1/2-14NPTF										
	250	FD 6-φ13.5 Magneto Mount, Pilot φ82.55 × 2.8, Ports G1/2										
	300	FH 6-φ13.5 Magneto Mount, Pilot φ82.55 × 2.8, Manifold Ports 1/2										
	375	WS 4-φ13.5 Wheel Mount, Pilot φ82.55 × 5, Ports 7/8-14 O-ring										
	400	WP 4-φ13.5 Wheel Mount, Pilot φ82.55 × 5, Ports 1/2-14NPTF										
	475	WD 4-φ13.5 Wheel Mount, Pilot φ82.55 × 5, Ports G1/2										
	540	TS 4-φ13.5 Wheel Mount, Pilot φ82.55 × 5, Ports 7/8-14 O-ring										
	650	TP 4-φ13.5 Wheel Mount, Pilot φ82.55 × 5, Ports 1/2-14NPTF										
	750	TD 4-φ13.5 Wheel Mount, Pilot φ82.55 × 5, Ports G1/2										
	OMER-2	M1							Shaft φ35, Parallel key 10 × 6 × 45			
		T31							Core-Shaft φ38.1 Parallel key 7.96 × 7 × 36.5			
		G32							Shaft φ38.1, parallel key φ.525 × 0.525 × 42			

Note: When the table is used, please fill the code of left rows in dash area and give us, which the code information is consists of construction, displacement, mounting flange, output shaft and ports. If the specification is not in the table or you have specific requirements, please contact us. OMER-2 Motor The dimensions 44.2 is replaced by 45.7 with shaft M1, T31, G32 of φ38.1 shaft seal in flange W and T.

订货信息/ Order Information

1	2	3	4	5	6	7
型号	排量	法兰、止口、接口	轴伸	旋向工况	漆油选项	特殊功能
OMER-3	125	4-φ13.5车轮法兰, 止口φ82.55, 接口 7.8-14 O-ring 4-φ13.5平轴法兰, 止口φ82.55, 接口 1/2-14 NPTF 4-φ13.5平轴法兰, 止口φ82.55, 接口 M22×1.5 4-φ13.5平轴法兰, 止口φ82.55, 接口 G1/2	M1 直轴φ35, 平键10×8×45 T31 锥轴φ38, 平键7.96×7×36.5 G32 直轴φ38, 平键9.525×9.525×42	无 标准 R 反向	B 原漆 S 银灰漆 00 不油漆 无 蓝漆	无 黄底
	160					
	200					
	230					
	250					
	300					
350	4-φ13.5车轮法兰, 止口φ82.55, 接口 M22×1.5	M1 直轴φ35, 平键10×8×45 T31 锥轴φ38, 平键7.96×7×36.5 G32 直轴φ38, 平键9.525×9.525×42	无 标准 R 反向	B 原漆 S 银灰漆 00 不油漆 无 蓝漆	无 黄底	
375						
400						
475						
540						
650						
750						

注：用户在使用订货信息时，将马达结构、排量、安装法兰、轴伸、进出口等信息，选择左面作色部位的代号按上面格式写给我们即可。若所选规格不在上述表中或特殊需求，请与我们联系。

1	2	3	4	5	6	7
Type	Displace ment	Flange	Output shaft	Rotation direction	Paint	Unusually function
OMER-3	125	4-φ13.5 Wheel Mount, Pilotφ82.55, Ports 7.8-14 O-ring 4-φ13.5 Wheel Mount, Pilotφ82.55, Ports 1/2-14NPTF 4-φ13.5 Wheel Mount, Pilotφ82.55, Ports M22×1.5 4-φ13.5 Wheel Mount, Pilotφ82.55, Ports G1/2	M1 Shaftφ35, Parallel key 10×8×45 T31 Cone-Shaftφ38.1, Parallel key 7.96×7×36.5 G32 Shaftφ38.1, Parallel key 9.525×9.525×42	Omit R	00 No paint Omit Blue B Black S Silver Grey	Omit Standard
	160					
	200					
	230					
	250					
	300					
350	4-φ13.5 Wheel Mount, Pilotφ82.55, Ports M22×1.5	M1 Shaftφ35, Parallel key 10×8×45 T31 Cone-Shaftφ38.1, Parallel key 7.96×7×36.5 G32 Shaftφ38.1, Parallel key 9.525×9.525×42	Omit R	00 No paint Omit Blue B Black S Silver Grey	Omit Standard	
375						
400						
475						
540						
650						
750						

Note: When the table is used, please fill the code of left rows in the table and give us, which the code information is consists of construction, displacement, mounting flange, output shaft and ports. If the specification is not in the table or you have specific requirements, please contact us.

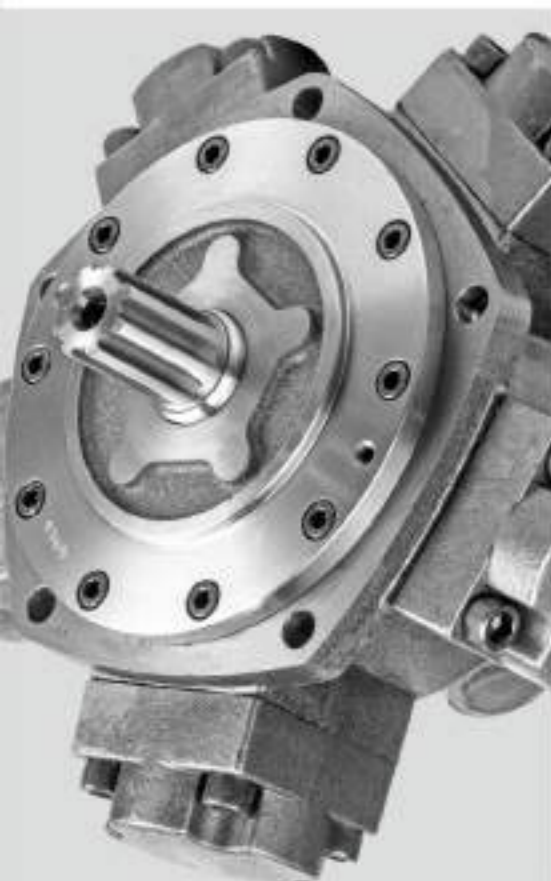
订货信息/ Order Information

1	2	3	4	5	6	7
型号	排量	法兰、止口、接口	轴伸	旋向工况	漆油选项	特殊功能
OMER-4	125	4-φ13.5车轮法兰, 止口φ82.55, 接口 7.8-14 O-ring 4-φ13.5平轴法兰, 止口φ82.55, 接口 1/2-14 NPTF 4-φ13.5平轴法兰, 止口φ82.55, 接口 M22×1.5 4-φ13.5平轴法兰, 止口φ82.55, 接口 G1/2	G2 直轴φ31.75, 平键 7.96×7×36.6 B1 直轴φ32, 平键 10×8×45 FD1 花轴φ31.75, 花键 14-DP12/24 T4 Cone-Shaftφ31.75, 平键 7.96×7.96×25.4 RW 直轴φ25.4, 平键 6.35×6.35×31.75 SW 花轴φ25.4, 花键 SAE 6B AW 直轴φ25, 平键 6×7×32	无 标准 R 反向	B 原漆 S 银灰漆 00 不油漆 无 蓝漆	无 黄底
	160					
	200					
	230					
	250					
	300					
	350					
	375					
	400					
	475					
540						
650						
750						

注：用户在使用订货信息时，将马达结构、排量、安装法兰、轴伸、进出口等信息，选择左面作色部位的代号按上面格式写给我们即可。若所选规格不在上述表中或特殊需求，请与我们联系。

1	2	3	4	5	6	7
Type	Displace ment	Mount Flange, Pilot, Port	Output shaft	Rotation direction	Paint	Unusually function
OMER-4	125	4-φ13.5 Wheel Mount, Pilotφ82.55, Ports 7.8-14 O-ring 4-φ13.5 Wheel Mount, Pilotφ82.55, Ports 1/2-14NPTF 4-φ13.5 Wheel Mount, Pilotφ82.55, Ports M22×1.5 4-φ13.5 Wheel Mount, Pilotφ82.55, Ports G1/2	G2 Shaftφ31.75, parallel key 7.96×7×36.6 B1 Shaftφ32, parallel key 10×8×45 FD1 Shaftφ31.75, splined key 14-DP12/24 T4 Cone-Shaftφ31.75, parallel key 7.96×7.96×25.4 RW Shaftφ25.4, parallel key 6.35×6.35×31.75 SW Shaftφ25.4, splined key SAE 6B AW Shaftφ25, parallel key 6×7×32	Omit R	00 No paint Omit Blue B Black S Silver Grey	Omit Standard
	160					
	200					
	230					
	250					
	300					
	350					
	375					
	400					
	475					
540						
650						
750						

Note: When the table is used, please fill the code of left rows in the table and give us, which the code information is consists of construction, displacement, mounting flange, output shaft and ports. If the specification is not in the table or you have specific requirements, please contact us.



1、产品特点/ Product features	100
2、产品标识说明/ Ordering Code	101
3、技术参数/ Technical data	102
4、外形安装尺寸/ Installation Dimensions	
ZM1系列/ ZM1 Serie	103
ZM2系列/ ZM2 Serie	104
ZM3系列/ ZM3 Serie	105
ZM6系列/ ZM6 Serie	106
ZM8系列/ ZM8 Serie	108
ZM11系列/ ZM11 Serie	109
ZM16系列/ ZM16 Serie	110
ZM31系列/ ZM31 Serie	111
ZM70系列/ ZM70 Serie	112

产品特点/ Product Feature

ZM系列由轴连杆式低速大扭矩液压马达按意大利提供的技术和标准进行生产。在此基础上，我们还根据市场的需要不断进行技术改进来提高产品的使用性能。其主要特点：

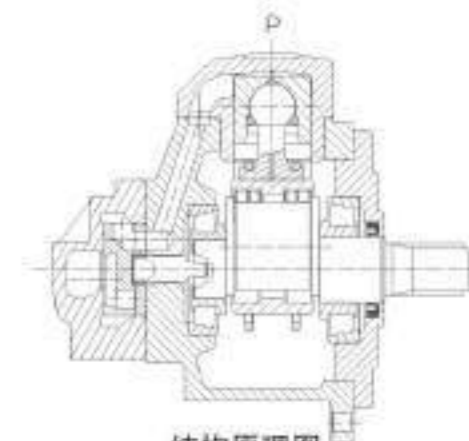
- 1、采用偏心轴及较低激励频率的五活塞结构，具有低噪音的特点；
- 2、起动扭矩大，低速稳定性好，能在很低的速度下平稳运转；
- 3、专利技术的平面补偿配油盘，可靠性好，泄漏少；活塞与柱塞套采用密封环密封，因而具有很高的容积效率；
- 4、由轴与连杆间由滚柱支承，因而具有很高的机械效率；
- 5、旋转方向可逆，输出轴允许承受一定的径向和轴向外力；
- 6、具有较高的功率质量比，体积重量相对较少；

ZM series product is such kind of low speed high torque motor with crankshaft and connecting rod, produced in strict accordance with the technology and standard of Italy. Meanwhile, we also employ new technology to improve the motor performance according to the market requirements. The main features include:

1. Low noise due to an eccentric crankshaft and low excitation frequency of five-piston design;
2. Revolve steadily under very low speed due to high starting torque and good low-speed stability;
3. Good reliability and less leakage due to the patented flat compensation distributor, special sealing between piston and plunger bushing guarantees higher volumetrical efficiency;
4. High mechanical efficiency due to roller bearing between crankshaft and connecting rod;
5. Reversible rotation, and the output shaft can bear certain external force from both radial and axial directions;
6. High power-mass ratio, small volume and light weight.

结构原理

通压力油的柱塞缸受液压力的作用，在柱塞体上产生推力P。该推力通过连杆作用在曲轴中心，使输出轴旋转，同时配油盘随着一起转动，当柱塞体所在位置到达下死点时，柱塞缸便由配油盘接通回油口，柱塞便被曲轴往上推。此时，做功后的液压油通过配油盘返回油箱，各柱塞体依次接通高低压力油，各柱塞体对输出轴中心所产生的驱动力矩同向相加，使马达输出轴获得连续而平稳的旋转扭矩。当改变油流方向时，便可改变马达的旋转方向，如将配油盘转180°，装配也可以实现马达的反转。



结构原理图
Structure Graph



ZM系列/ ZM Serie

产品标识说明/ Ordering Code

ZM 1 63 B D31 72°

ZM系列曲轴连杆式低速大扭矩液压马达
ZM crankshaft and connecting rod low speed
high torque hydraulic motor

系列 / Series

名义排量 | ml/r |
Nominal displacement (ml/r)

输出轴形式

- 1、无字母表示标准矩形花键轴（以外径定心）。
- 2、B表示平键轴：注脚数字表示同BM型摆线液压马达或其他品牌对应型号安装尺寸相同（带过渡法兰板）。
- 3、D表示安装联接尺寸与昆山液压件厂JMD型同排量液压马达相同。
- 4、I表示内花键轴（以内径定心）；注脚数字表示与QJM系列安装尺寸相同（带过渡法兰板）。
- 5、GM、SI表示安装尺寸与意大利SAI公司生产的M系列、L系列、GM系列液压马达相同，注脚数字表示不同种类安装尺寸。

Form of output shaft

1. no letter—standard rectangular spline shaft (the center is up to exterior diameter).
2. B—Flat key shaft: Footnote number—the installation dimension is the same as BM motors series model (with flange).
3. D—installation dimension is the same as JMD series motors of the same displacement (KunShan HYD element plant).
4. I—internal spline shaft (the center is up to interior diameter). Footnote number—the installation dimension is the same as QJM series motors (with flange).
5. GM, SI indicates the installation dimension is the same as M series, L series, GM series of ITALY SAI company. Footnote number—different kinds of installation dimension.

配油器种类，订货时若不注明，则按标准配置 [见各系列马达安装联接尺寸图]
如有特殊要求，并在订货时注明。

Oil distribution casing type: it will be configured with standard casing if there is no special requirement marked in the ordering. If you have special requirements, please mark your requirements in the order.

* 未写明表示马达安装孔位置与样本中图示一致

* “左偏”表示在无法连接的情况下其中一个安装孔在正下方（即马达安装时的两只角朝下）

* “右偏”表示在无法连接的情况下其中一个安装孔在正上方（即马达安装时的一只角朝下）

* Omit—mounting hole position, same as illustrated.

* “Left deviation” indicates that one mounting hole is right below it when there is no flange. (I.e.: two corners face downward when installing the motor).

* “Right deviation” indicates that one mounting hole is right above it when there is no flange. (I.e.: one corners face upward when installing the motor).

“左偏”“右偏”只适用于ZM2-ZM11系列马达，且进出口处水平位置（与图示一样）

“Left deviation” and “Right deviation” are only applicable for ZM2-ZM11 series of motors, and oil inlet and outlet are horizontal (Same as illustrated)

ZM系列/ ZM Serie

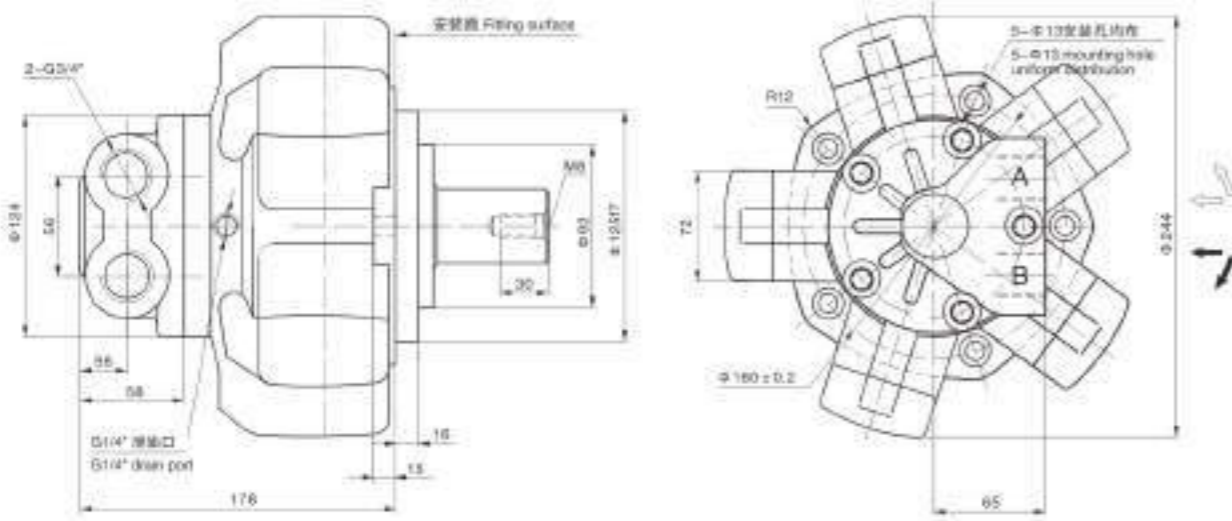
技术参数/ Technical data

型号 Model	理论排量 Theory Displacement	压力/Pressure		扭矩/Torque		最高转速 Max. Speed	额定功率 Rated Power	重量 Weight
		额定压力 Rated Pressure	实际压力 Max. Pressure	额定扭矩 Rated Torque	单位扭矩 Unit Torque			
	ml/r	Mpa	Mpa	N.m	N.m/Mpa	r/min	KW	Kg
ZM1-63	64	16	22	150	9	450	6	21
ZM1-80	76	16	20	183	11	420	6	
ZM1-100	96	16	20	235	14	350	7	
ZM1-125	126	16	20	295	18	320	8	
ZM1-160	169	14	20	326	23	280	8	
ZM2-100	113	16	22	254	17	360	8	28
ZM2-150	159	16	20	372	23	320	11	
ZM2-175	180	16	20	421	26	320	12	
ZM2-200	206	16	20	482	30	300	13	
ZM2-250	235	14	20	481	34	300	13	
ZM2-280	276	12	18	484	40	280	12	36
ZM3-175	181	16	22	424	26	350	13	
ZM3-200	201	16	20	470	29	320	13	
ZM3-250	254	16	20	594	37	300	16	
ZM3-300	289	14	20	592	42	280	15	
ZM3-350	340	12	18	597	50	250	13	58
ZM4-400	380	12	18	657	56	250	15	
ZM6-400	397	16	22	939	69	320	27	
ZM6-450	452	16	22	1069	67	320	30	
ZM6-500	491	16	22	1162	73	300	31	
ZM6-600	594	16	20	1405	88	280	35	72
ZM6-700	683	16	20	1616	101	250	36	
ZM6-750	754	14	18	1561	111	220	31	
ZM8-800	817	16	20	1444	90	280	36	
ZM8-700	710	16	20	1562	104	260	38	
ZM8-800	810	14	20	1659	118	260	38	85
ZM8-900	889	14	20	1821	130	220	36	
ZM8-1000	1000	12	18	1765	145	200	31	
ZM11-700	682	16	22	1596	101	280	40	
ZM11-800	782	16	22	1830	116	280	46	
ZM11-900	894	16	22	2092	132	280	52	170
ZM11-1000	981	16	20	2296	145	250	51	
ZM11-1100	1104	16	20	2584	163	250	57	
ZM11-1200	1234	14	20	2527	182	220	49	
ZM11-1300	1301	14	18	2664	192	200	47	
ZM16-1400	1413	16	22	3343	209	250	74	295
ZM16-1600	1648	16	22	3859	244	250	67	
ZM16-1800	1814	16	22	4292	268	220	64	
ZM16-2000	2034	14	20	4211	301	200	75	
ZM16-2400	2267	14	18	4693	335	180	75	
ZM31-2500	2553	16	25	6722	373	200	120	550
ZM31-2800	2683	16	25	7064	392	200	126	
ZM31-3000	3053	16	25	7169	448	180	115	
ZM31-3150	3218	16	25	7532	471	180	121	
ZM31-3500	3462	16	22	8103	506	160	115	
ZM31-4000	4152	16	20	9718	607	160	138	830
ZM31-4500	4522	14	20	10584	661	160	151	
ZM31-5000	4828	14	20	9867	708	160	141	
ZM70-5000	4946	16	22	11450	716	125	120	
ZM70-5400	5452	16	22	12622	789	125	132	
ZM70-6000	5964	16	22	13553	865	100	116	830
ZM70-6300	6540	14	20	13248	945	100	111	
ZM70-7000	7122	14	20	14427	1030	100	121	
ZM100-6300	6758	16	22	15301	956	100	128	
ZM100-7000	7390	16	22	16732	1046	100	140	
ZM100-8000	7965	16	20	18078	1130	80	121	830
ZM100-9000	8536	16	20	19553	1222	80	131	
ZM100-10000	10016	14	20	19543	1417	80	133	

郑重声明：以上数据为实测所得，保证使用性能不低于同类系列产品！版权所有

ZM1系列/ ZM1 Serie

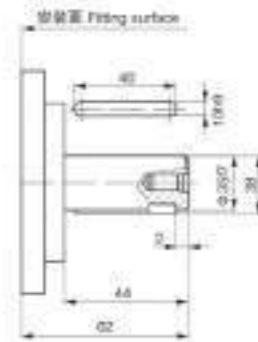
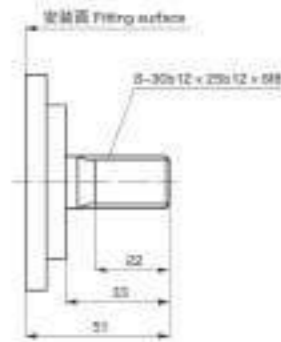
ZM1-63-200 外形及安装尺寸/ ZM1-63-200 Installation Dimension



标准外花键 : ZM1-**
Standard Involute Spline : ZM1-**

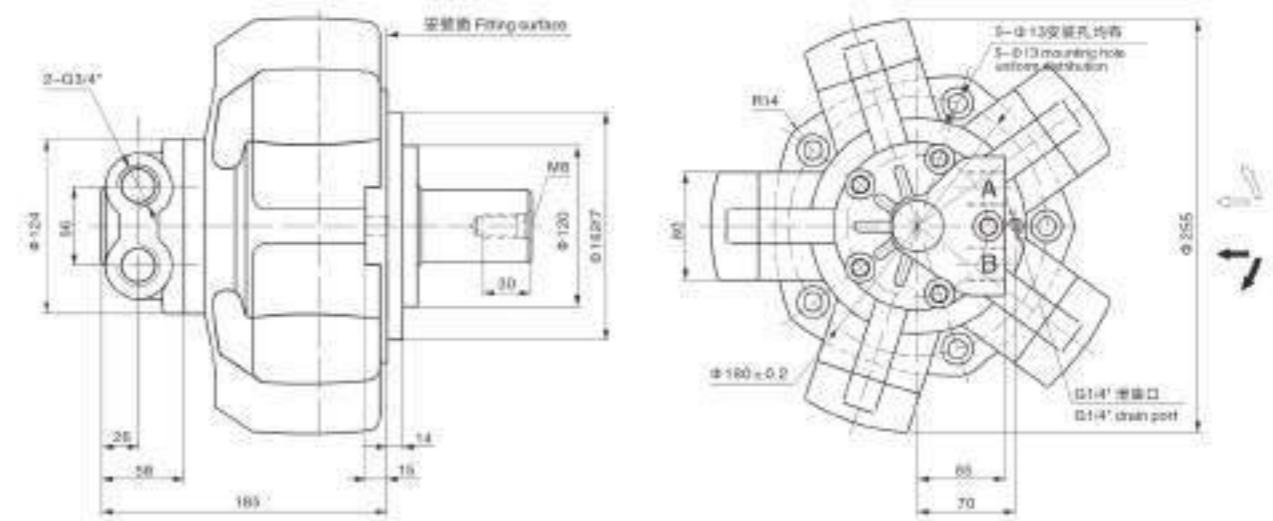
标准平键 : ZM1-**B
Standard Parallel Key : ZM1-**B

标准内花键 : ZM1-**B3
Standard Female Spline : ZM1-**B3



ZM2系列/ ZM2 Serie

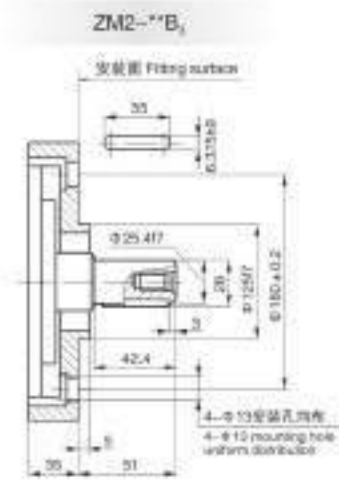
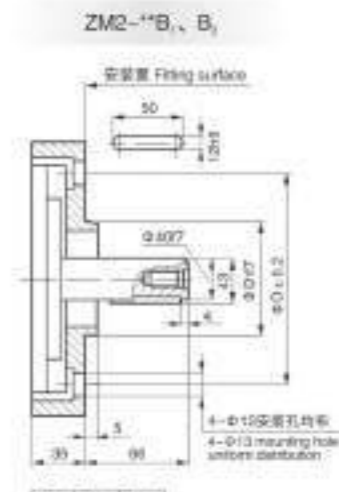
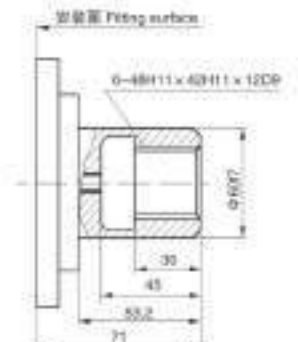
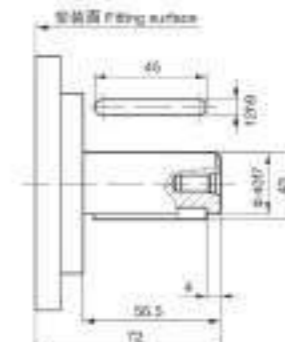
ZM2-100-280 外形尺寸/ ZM2-100-280 Installation Dimension



标准外花键 : ZM2-**
Standard Involute Spline : ZM2-**

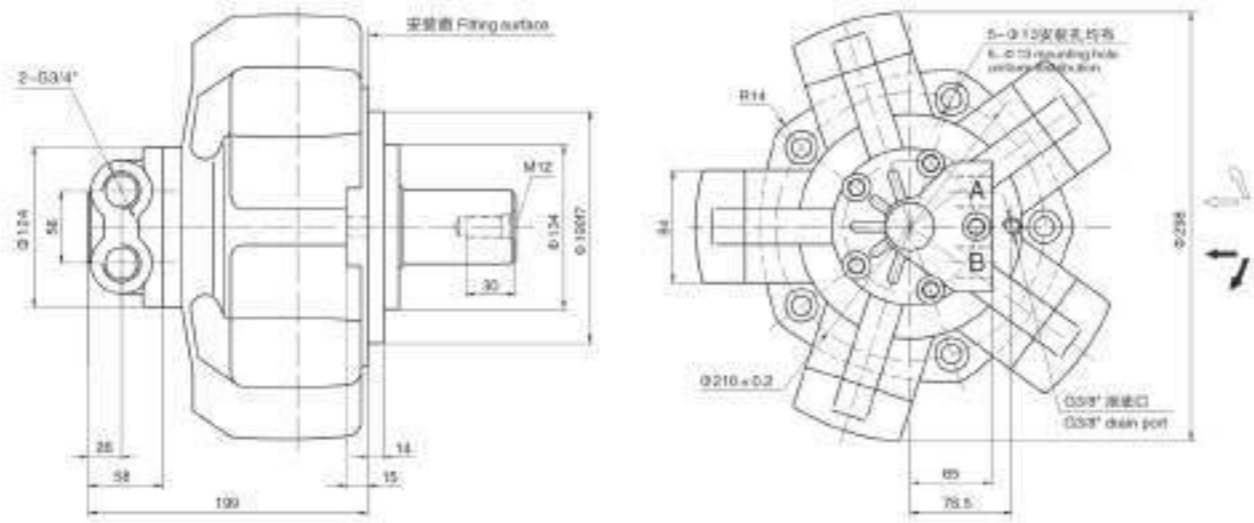
标准平键 : ZM2-**B
Standard Parallel Key : ZM2-**B

标准内花键 : ZM2-**1
Standard Female Spline : ZM2-**1

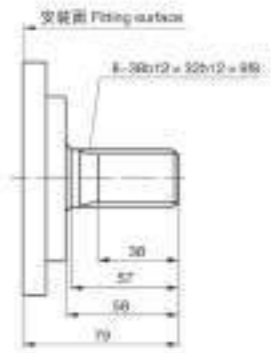


ZM3系列/ ZM3 Serie

ZM3-175-400 外形及安装尺寸/ ZM3-175-400 Installation Dimension

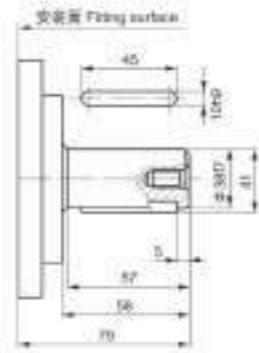


标准外花键 : ZM3-**
Standard Involute Spine : ZM3-**



ZM3-**SL₁

标准平键 : ZM3-**B
Standard Parallel Key : ZM3-**B

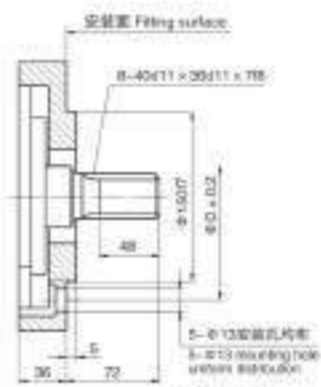


ZM3-**SL₂, SL₃

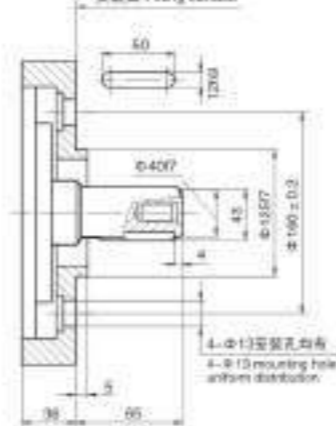
标准内花键 : ZM3-**I
Standard Female Spine : ZM3-**I



ZM3-**B₁

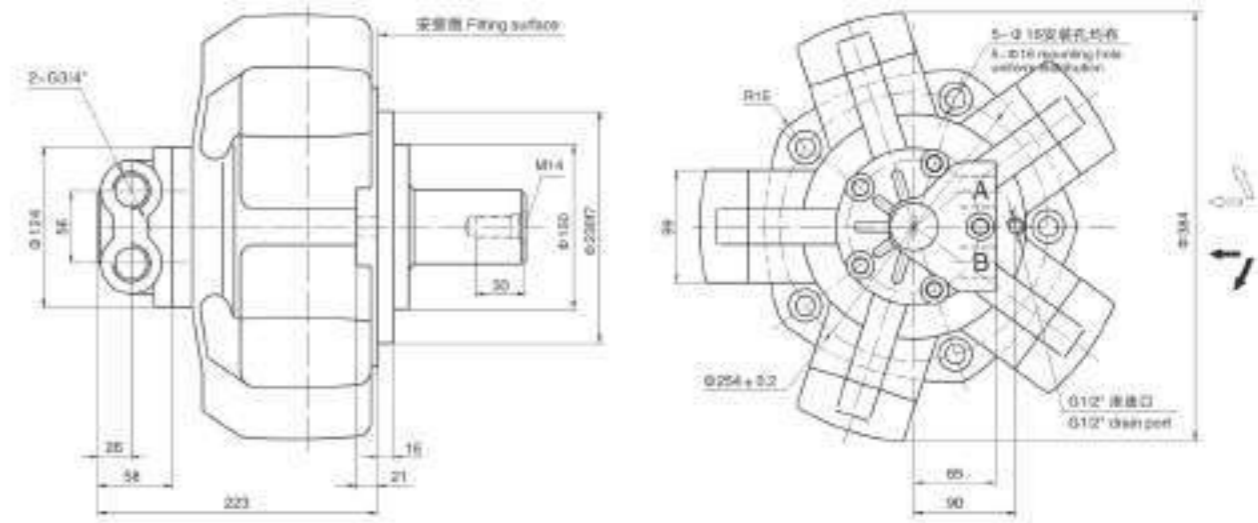


Type	D
SL ₁	195
SL ₂	250



ZM6系列/ ZM6 Serie

ZM6-400-750 外形及安装尺寸/ ZM6-400-750 Installation Dimension

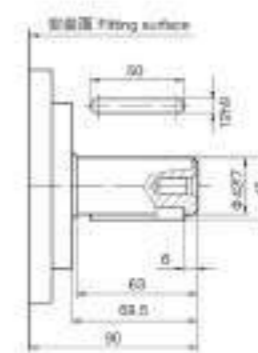


标准外花键 : ZM6-**
Standard Involute Spine : ZM6-**



ZM6-**SL₁

标准平键 : ZM6-**B
Standard Parallel Key : ZM6-**B

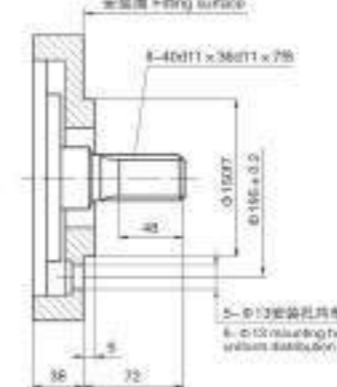


ZM6-**SL₂

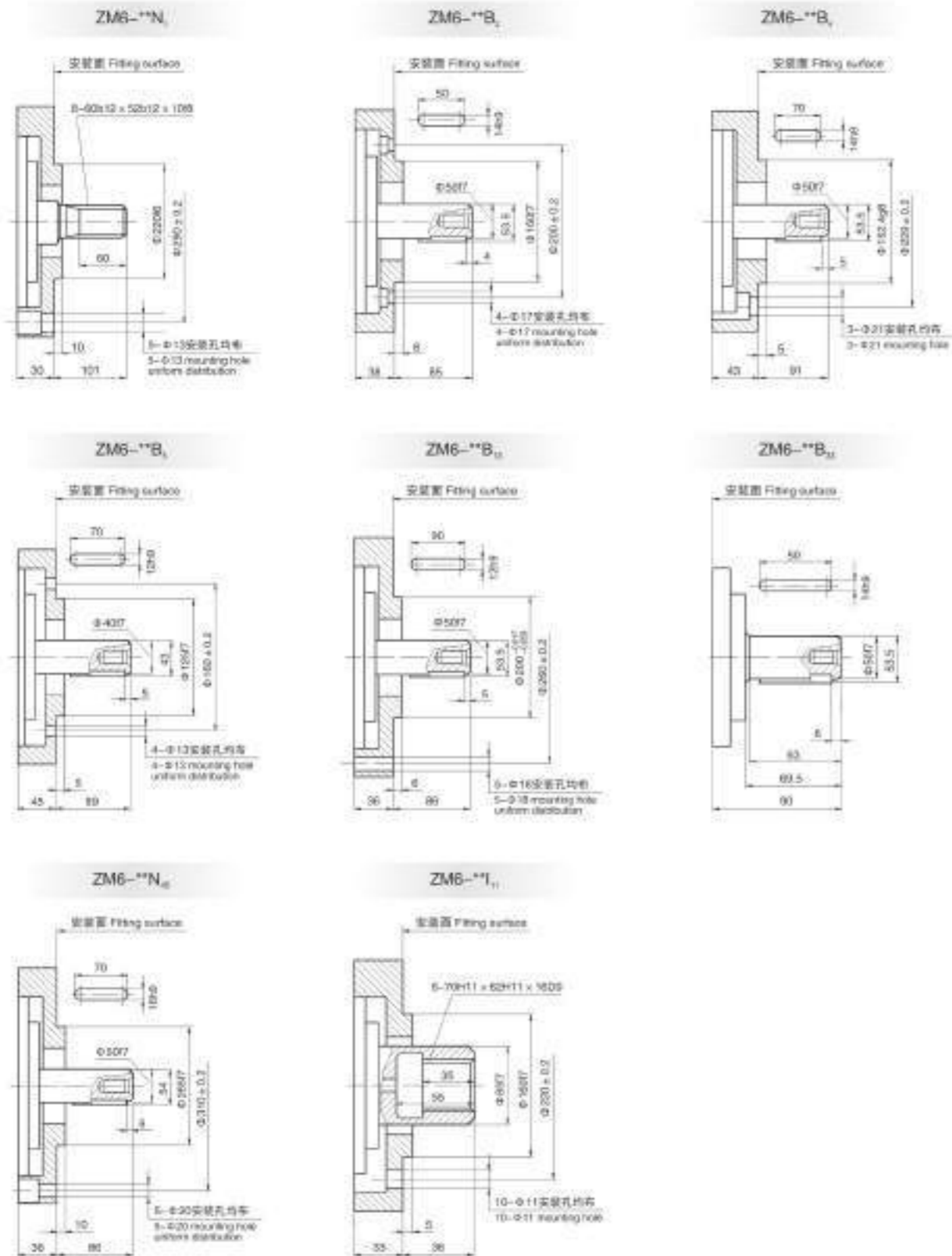
标准内花键 : ZM6-**I
Standard Female Spine : ZM6-**I



ZM6-**N

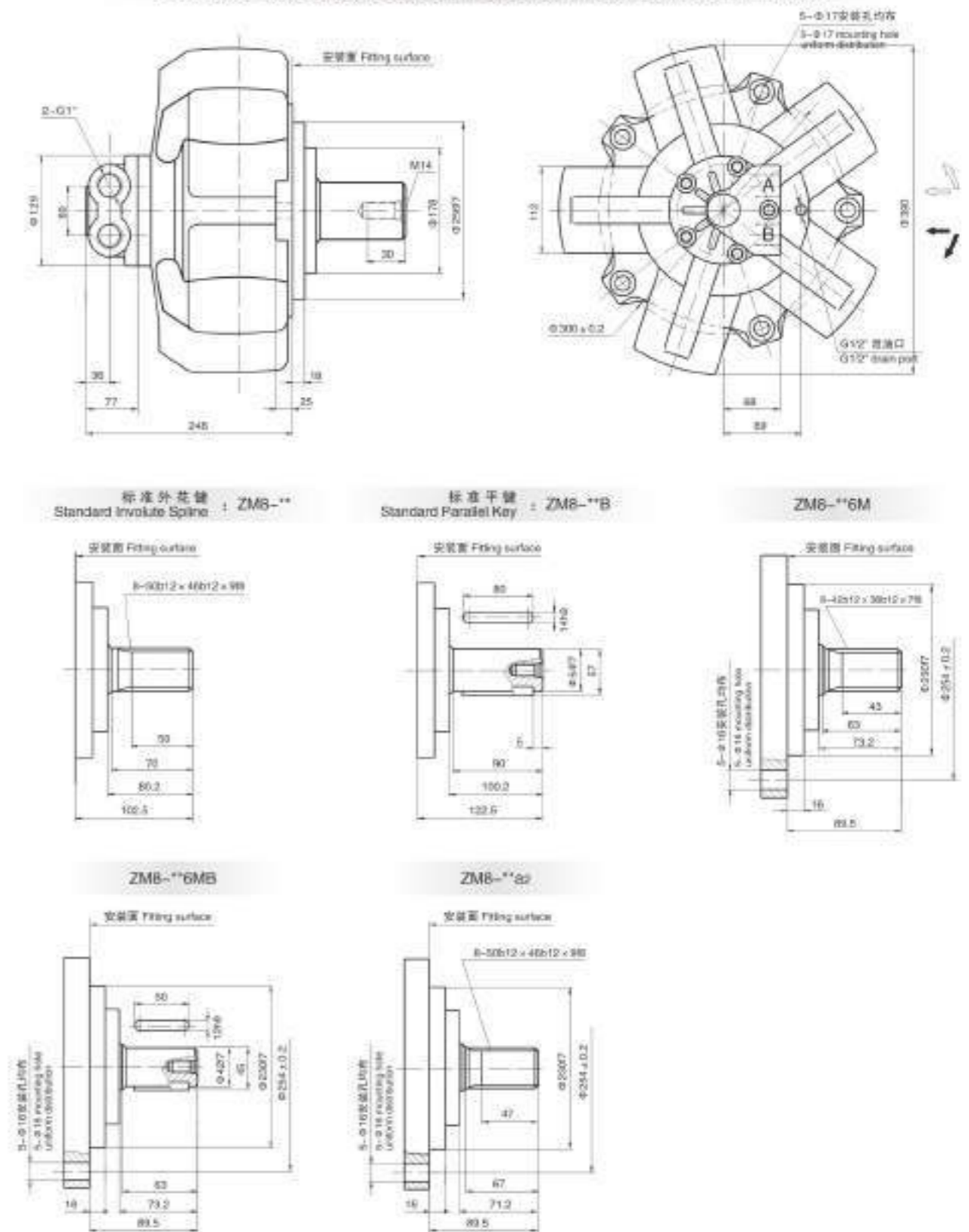


ZM6系列/ ZM6 Serie



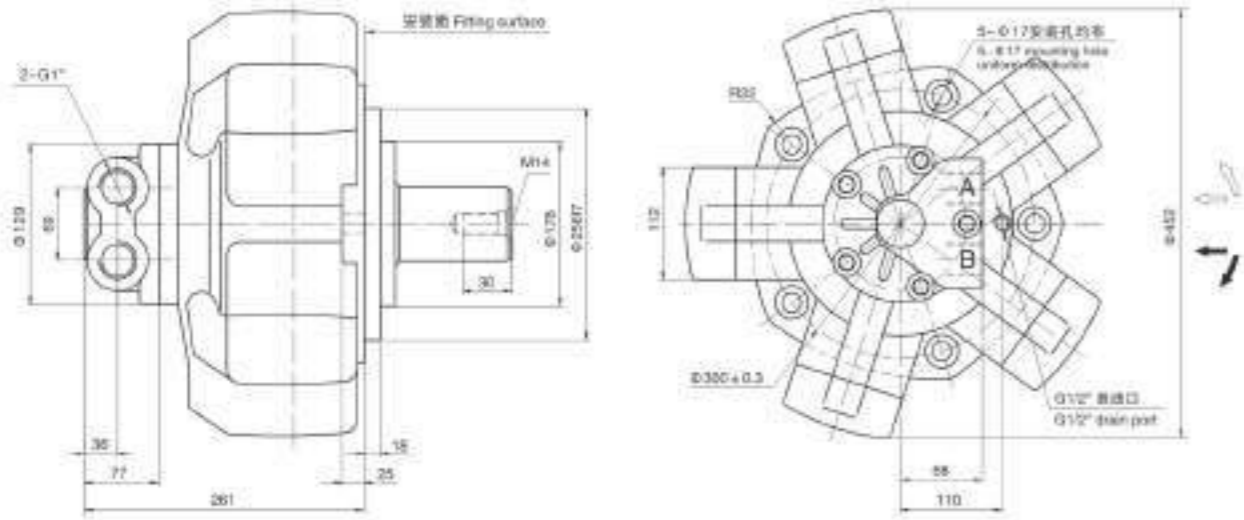
ZM8系列/ ZM8 Serie

ZM8-600-1000 外形及安装尺寸/ ZM8-600-1000 Installation Dimension



ZM11系列/ ZM11 Serie

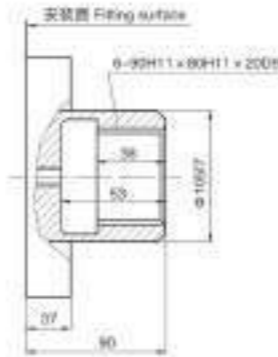
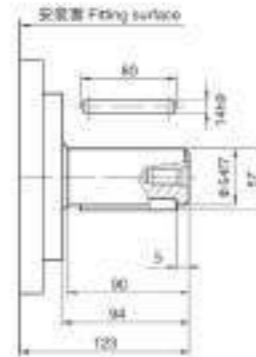
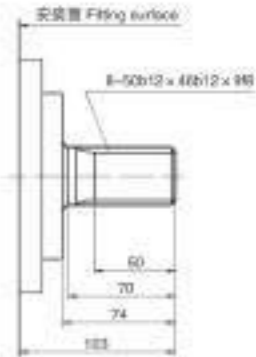
ZM11-700-1300 外形及安装尺寸/ ZM11-700-1300 Installation Dimension



标准外花键 : ZM11-**
Standard Involute Spline

标准平键 : ZM11-**B
Standard Parallel Key

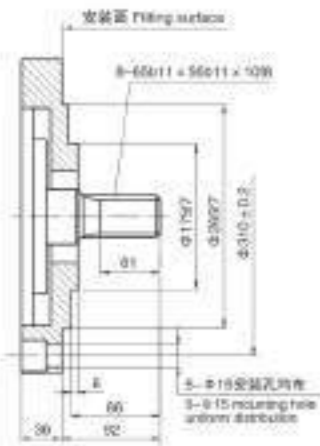
标准内花键 : ZM11-**I
Standard Female Spline



ZM11-**SL₁

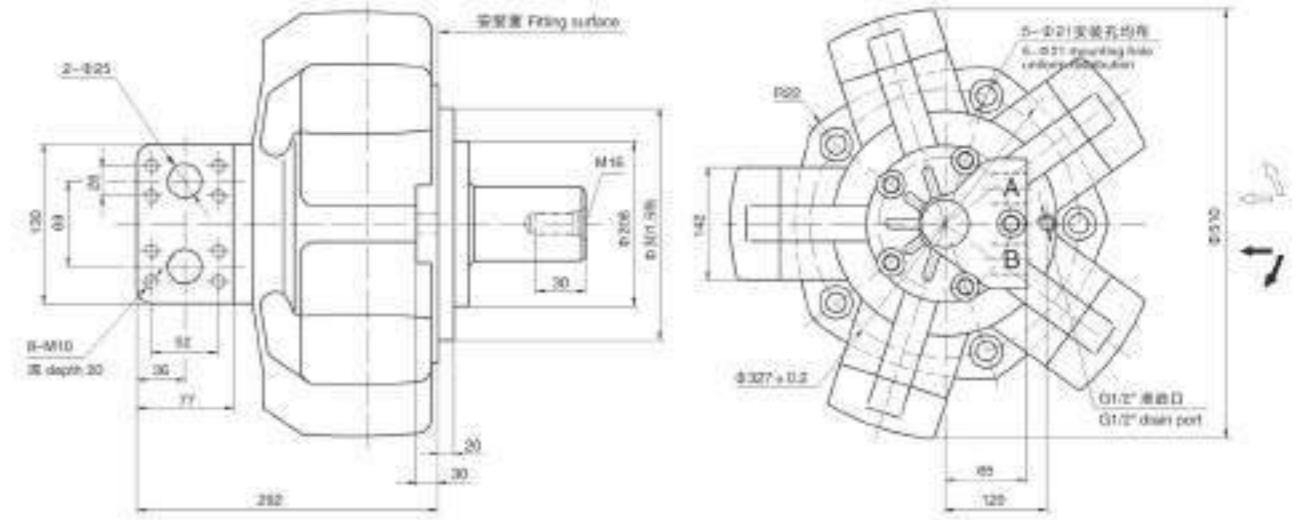
ZM11-**N

ZM11-**K



ZM16系列/ ZM16 Serie

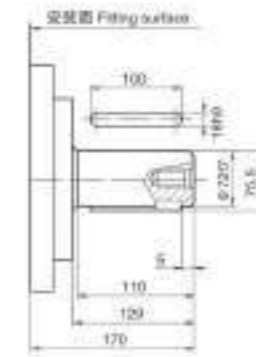
ZM16-1400-2400 外形及安装尺寸/ ZM16-1400-2400 Installation Dimension



标准外花键 : ZM16-**
Standard Involute Spline

标准平键 : ZM16-**B
Standard Parallel Key

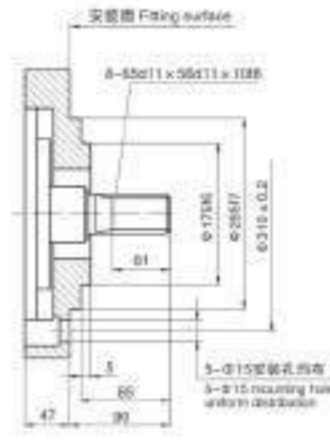
标准内花键 : ZM16-**I
Standard Female Spline



ZM16-**SL₁

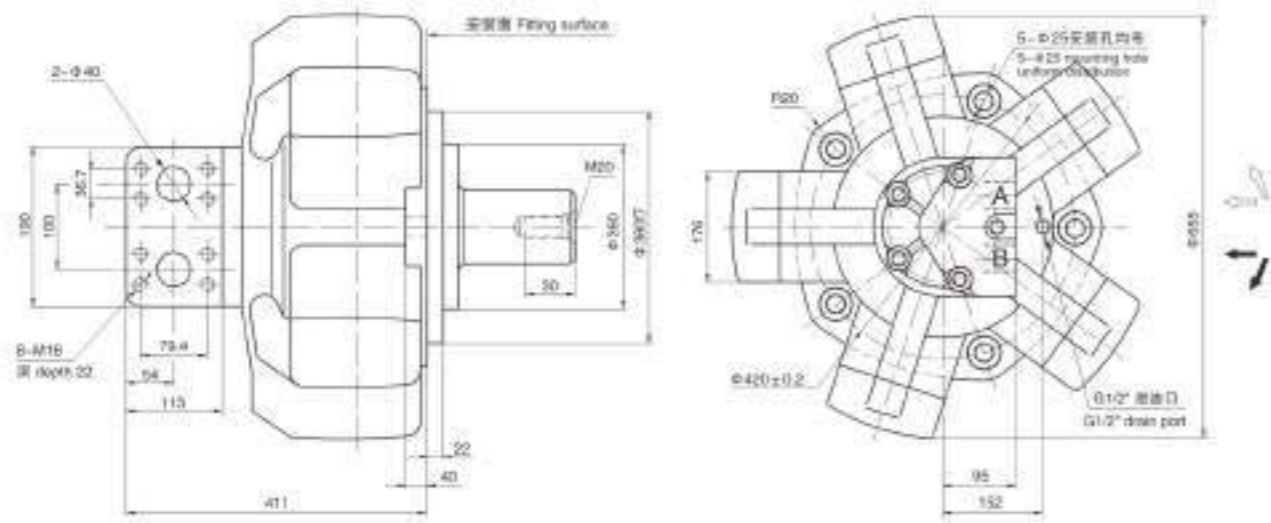
ZM16-**N

ZM16-**D

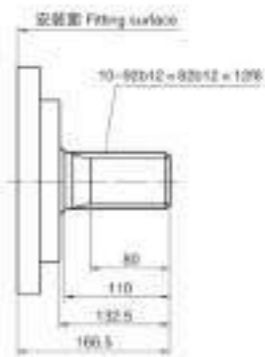


ZM31系列/ ZM31 Serie

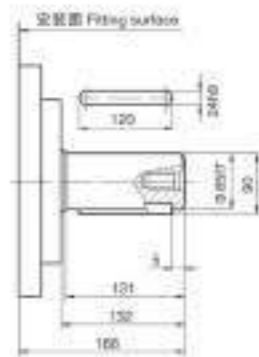
ZM31-2500-5000 外形及安装尺寸/ ZM31-2500-5000 Installation Dimension



标准外花键 : ZM31-**
Standard Involute Spline



标准平键 : ZM31-**B
Standard Parallel Key



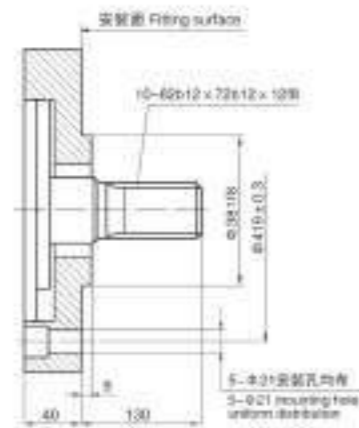
标准内花键 : ZM31-**I
Standard Female Spline



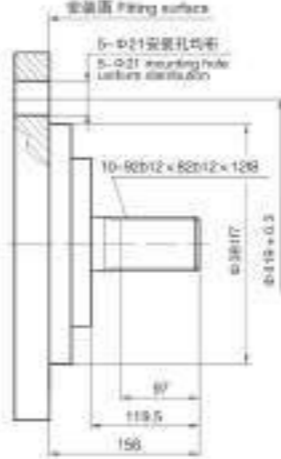
ZM31-**SL



ZM31-**NST

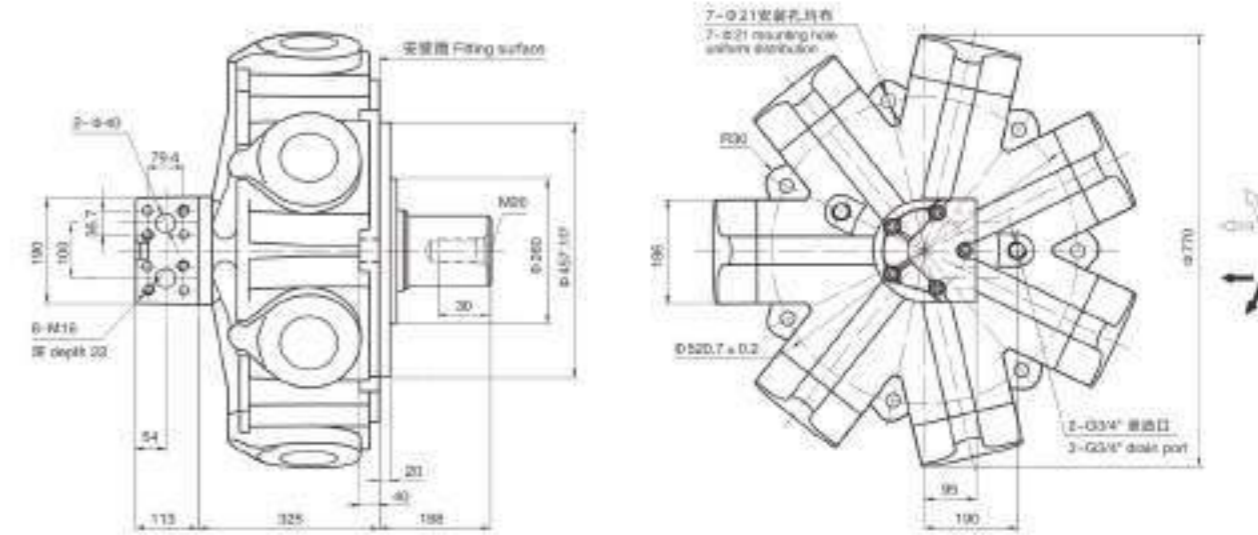


ZM31-**H6

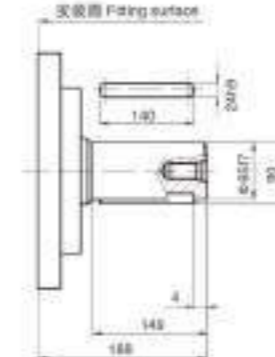


ZM70系列/ ZM70 Serie

ZM70-5000-7000 外形及安装尺寸/ ZM70-5000-7000 Installation Dimension



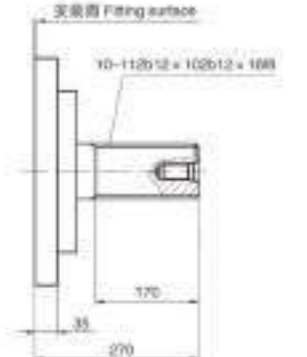
标准平键 : ZM70-**B
Standard Parallel Key



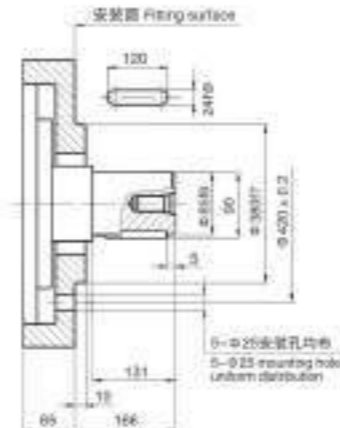
ZM70-**a



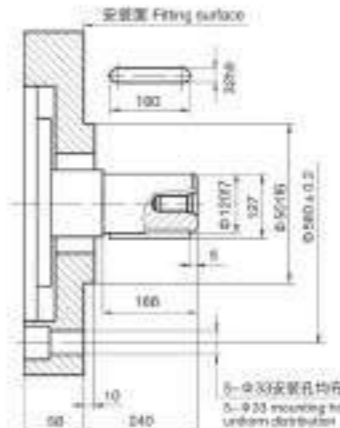
ZM70-**a



ZM70-**B



ZM70-**B



ZM70-**BC

