

Centrifugal Fans & Blowers

Centrifugal Fans & Blowers

PART NUMBER CODE

AC Centrifugal Fans & Blowers

ACF	175	55	V1	H	B	2P	T	-HL
Fan Type	Fan Size		Voltage	Speed	Bearing	Poles	Phase	Mold
ACF : AC Centrifugal Fan ACB : AC Centrifugal Blower	Diameter of Impeller	Thickness	V1 (AC 110-120V) V2 (AC 220-240V)	S : Super Speed H : High M : Medium L : Low	B : Ball S : Sleeve	2P : 2 Poles 4P : 4 Poles	S : Single Phase T : Thress Phase	Different Suffix for different mold

▼ AC Backward Curved Impeller Fan

Ø133 mm	P. 232
Ø170 mm	P. 233
Ø175 mm	P. 234
Ø190 mm	P. 235
Ø220 mm	P. 239
Ø225 mm	P. 240
Ø250 mm	P. 242
Ø280 mm	P. 244
Ø305 mm	P. 245
Ø355 mm	P. 247

▼ AC Single Inlet Blower

Ø120 mm	P. 249
208 mm	P. 249
226 mm	P. 249
301 mm	P. 250

▼ AC Double Inlet Blower

238 mm	P. 251
--------	--------

DC Centrifugal Fans & Blowers

DCF	133	91	V24	H	B
Fan Type	Fan Size		Voltage	Speed	Bearing
DCF : DC Centrifugal Fan DCB : DC Centrifugal Blower	Diameter of Impeller	Thickness	V24 (DC 12V) V48 (DC 48V)	SH : Super Speed-High SM : Super Speed-Medium SL : Super Speed-Low H : High M : Medium L : Low	B : Ball S : Sleeve

▼ DC Backward Curved Impeller Fan

			Ø225 mm	P. 261
Ø133 mm	P. 252	Ø250 mm	P. 262
Ø175 mm	P. 253	Ø280 mm	P. 264
Ø190 mm	P. 256	Ø316 mm	P. 266
Ø200 mm	P. 258	Ø318 mm	P. 267
Ø220 mm	P. 259	Ø404 mm	P. 268

▼ DC Single Inlet Blower

141 mm	P. 269
225 mm	P. 270

▼ DC Double Inlet Blower

351 mm	P. 271
352 mm	P. 272

EC Centrifugal Fans & Blowers

ECF	175	55	V1	H	B	T
Fan Type	Fan Size		Voltage	Speed	Bearing	Phase
ECF : EC Centrifugal Fan	Diameter of Impeller	Thickness	V1 (AC 110-120V) V2 (AC 220-240V)	S : Super Speed H : High M : Medium L : Low	B : Ball S : Sleeve	S : Single Phase T : Thress Phase

▼ DC Backward Curved Impeller Fan

			Ø250 mm	P. 280
Ø190 mm	P. 273	Ø280 mm	P. 281
Ø200 mm	P. 275	Ø316 mm	P. 282
Ø220 mm	P. 276	Ø355 mm	P. 284
Ø225 mm	P. 277	Ø404 mm	P. 285

ACF 13380-DA



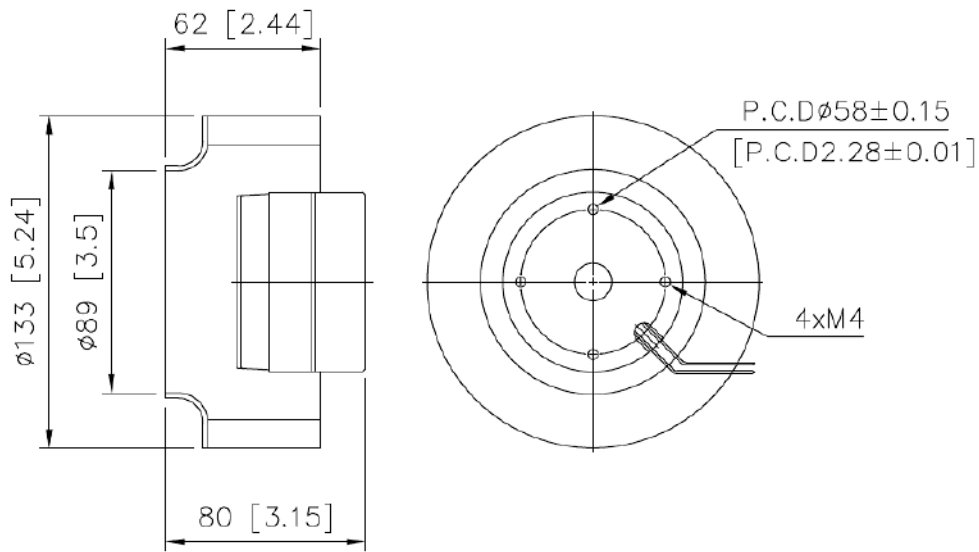
Ø133X80mm(Ø5.19"x3.12")



- IMPELLER Plastic
- BEARING Ball
- INSULATION Class F
- TERMINATION Lead Wire
- OPERATING TEMPERATURE -20°C to + 70°C
- INSULATION RESISTANCE 10M Ω min. @500 VDC
- DIELECTRIC STRENGTH 1,800 VAC for 1 second
- SAFETY Thermally Protected
- MOTOR TYPE AC Induction Capacitor
- WEIGHT 800g
- ROHS COMPLIANCE Yes
- IP LEVEL IP54 (Special IP Rating On Request)

133 mm

DIMENSION

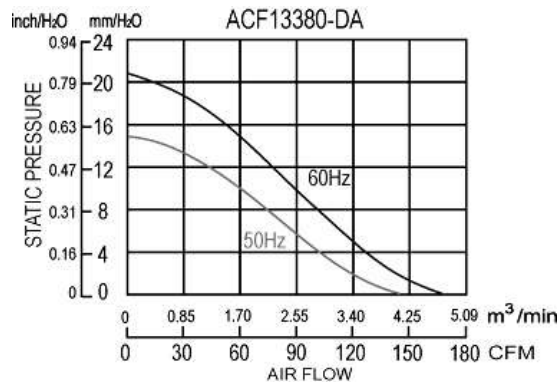


UNIT: mm[inch]

SPECIFICATION

MODEL NO.	RATED VOLTAGE (V)	FREQUENCY (Hz)	RATED CURRENT (A)	INPUT POWER (W)	SPEED (RPM)	MAX. AIR PRESSURE		MAX. AIR FLOW		NOISE dB(A) @1M
						inch/H ₂ O	mm/H ₂ O	CFM	m ³ /min	
ACF13380V1S2P-DA	115	50/60	0.26/0.24	26/28	2800/3200	0.59/0.83	15/21	145/165	4.10/4.67	62/65
ACF13380V2S2P-DA	230	50/60	0.10/0.12	23/27	2800/3200	0.59/0.83	15/21	145/165	4.10/4.67	62/65

AIR PERFORMANCE



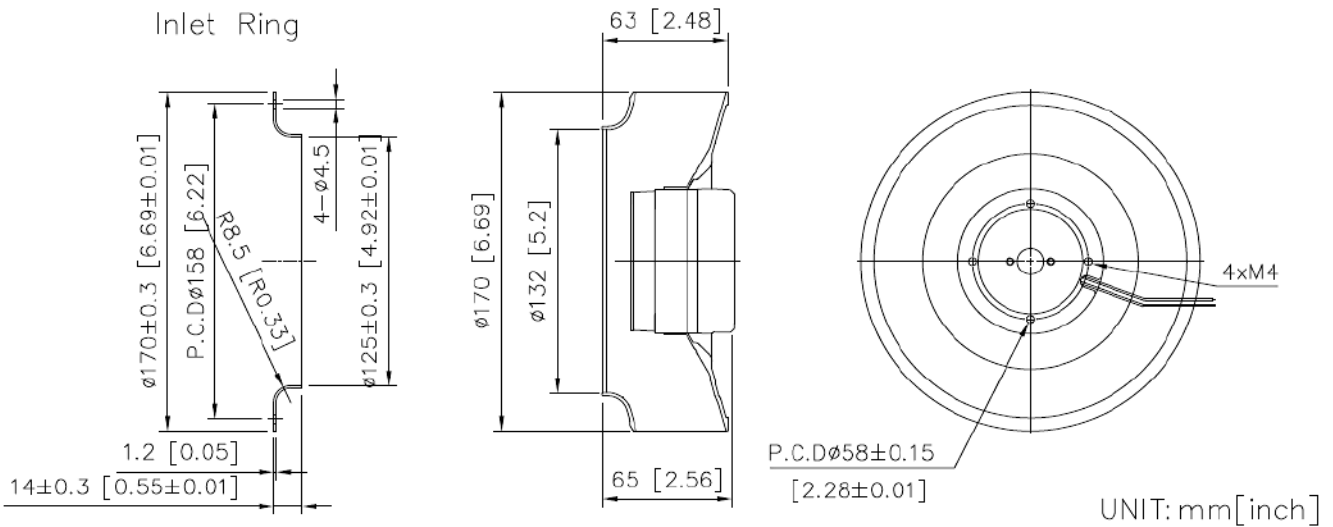
ACF 17065-DA ø170X65mm(ø6.63"x2.54")



IMPELLER	Plastic
BEARING	Ball
INSULATION	Class F
TERMINATION	Lead Wire
OPERATING TEMPERATURE	-20°C to + 70°C
INSULATION RESISTANCE	10M Ω min. @500 VDC
DIELECTRIC STRENGTH	1,800 VAC for 1 second
SAFETY	AC Induction Capacitor Motor
MOTOR TYPE	Thermally Protected
WEIGHT	900g
ROHS COMPLIANCE	Yes
IP LEVEL	IP54 (Special IP Rating On Request)

170mm

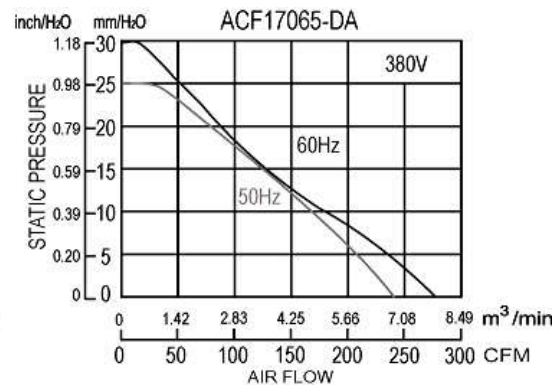
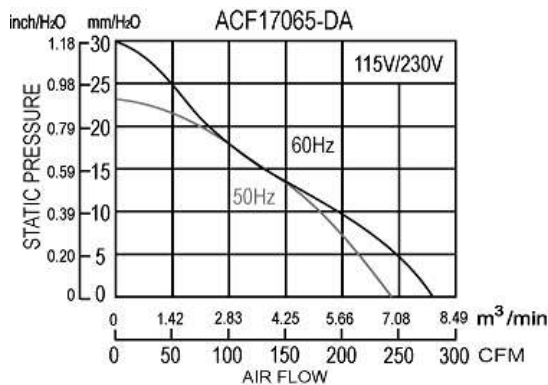
DIMENSION



SPECIFICATION

MODEL NO.	RATED VOLTAGE (V)	FREQUENCY (Hz)	RATED CURRENT (A)	INPUT POWER (W)	SPEED (RPM)	MAX. AIR PRESSURE		MAX. AIR FLOW		NOISE dB(A) @1M
						inch/H ₂ O	mm/H ₂ O	CFM	m ³ /min	
ACF17065V1H2P-DA	115	50/60	0.26/0.27	27/31	2750/3100	0.91/1.18	23/30	243/276	6.88/7.82	67/69
ACF17065V2H2P-DA	230	50/60	0.10/0.13	24/30	2750/3100	0.91/1.18	23/30	243/276	6.88/7.82	67/69
ACF17065V3H2P-DA	380	50/60	0.08/0.09	30/34	2750/3100	0.98/1.18	25/30	240/275	6.79/7.78	67/69

AIR PERFORMANCE



ACF 17555

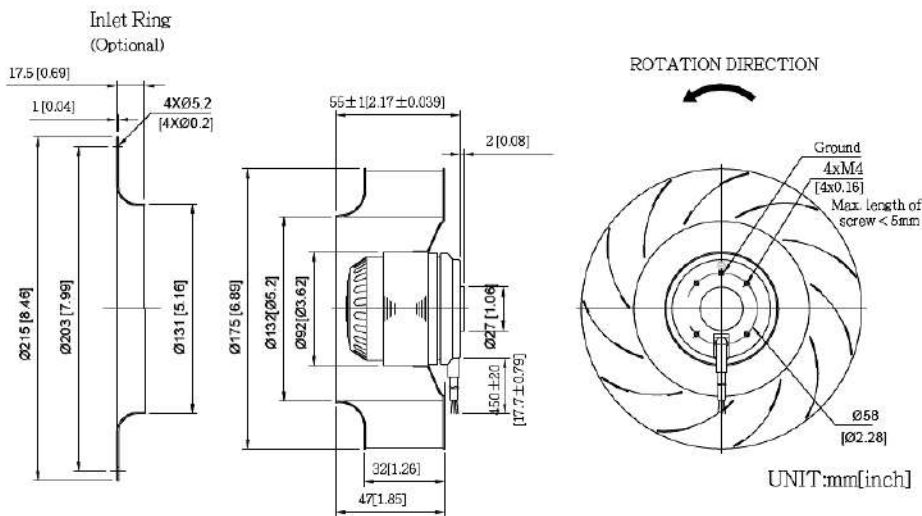
Ø175X55mm, 2 poles(Ø6.89"x2.17")



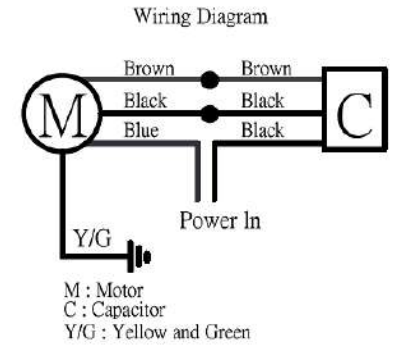
MOTOR	Outer rotor motor Ø92mm
IMPELLER	Metal
BEARING	Ball
INSULATION	Class F
TERMINATION	Lead Wire
OPERATING TEMPERATURE	0°C to + 65°C
INSULATION RESISTANCE	10M Ω min. @500 VDC
DIELECTRIC STRENGTH	5mA Max. at 1500 VAC for 1 second
SAFETY	Thermally Protected
WEIGHT	1.2 kg
ROHS COMPLIANCE	Yes
IP LEVEL	IP44 (Special IP Rating On Request)

175 mm

DIMENSION



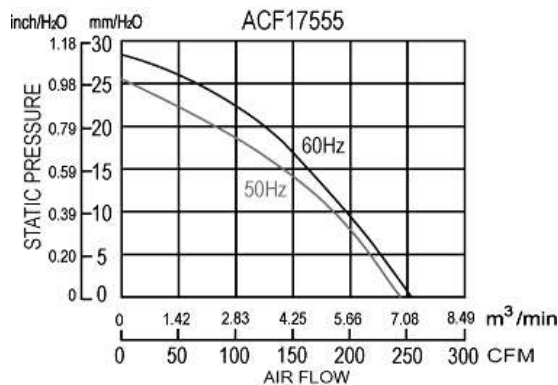
MODEL NO.	CAPACITOR uF/Vac
ACF17555V1H2P	8/250
ACF17555V2H2P	2/450



SPECIFICATION

MODEL NO.	RATED VOLTAGE (V)	FREQUENCY (Hz)	RATED CURRENT (A)	INPUT POWER (W)	SPEED (RPM)	MAX. AIR PRESSURE		MAX. AIR FLOW		NOISE dB(A)@1M
						inch/H ₂ O	mm/H ₂ O	CFM	m ³ /min	
ACF17555V1H2P	110	60	0.63	70	2650	1.12	28.56	253	7.17	58
ACF17555V2H2P	220	50/60	0.27/0.31	60/70	2550/2650	1.00/1.12	25.5/28.56	241/253	6.83/7.17	56/58

AIR PERFORMANCE



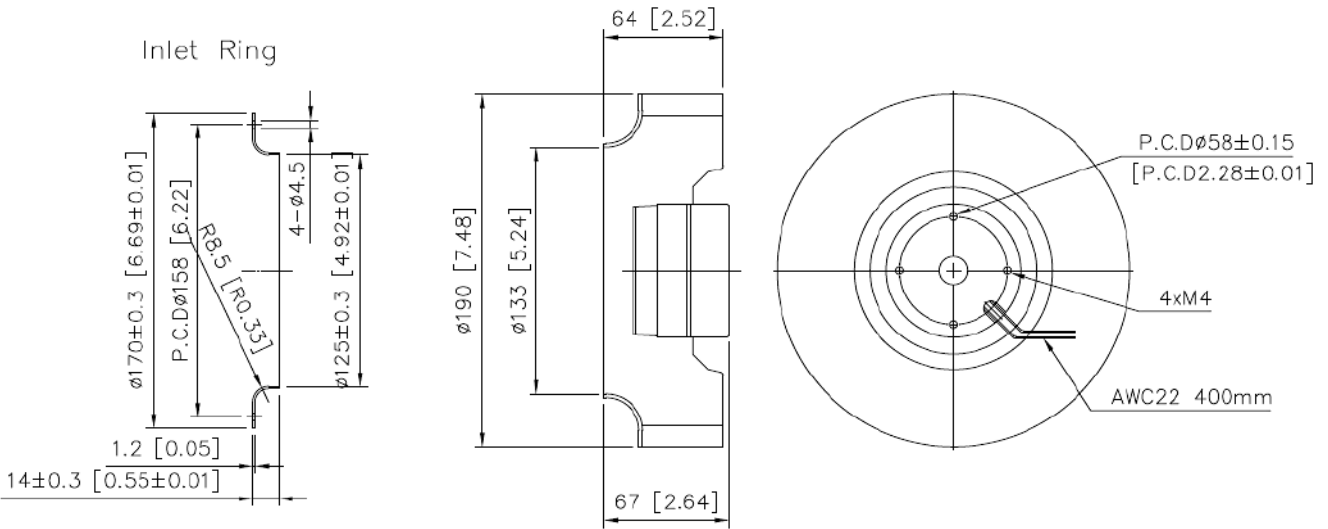
ACF 19067-DA ø190X67mm(ø7.48"x2.64")



IMPELLER	Plastic
BEARING	Ball
INSULATION	Class F
TERMINATION	Lead Wire
OPERATING TEMPERATURE	-20°C to + 70°C
INSULATION RESISTANCE	10M Ω min. @500 VDC
DIELECTRIC STRENGTH	1,800 VAC for 1 second
SAFETY	AC Induction Capacitor Motor
MOTOR TYPE	Thermally Protected
WEIGHT	890 g
ROHS COMPLIANCE	Yes
IP LEVEL	IP54 (Special IP Rating On Request)

190_{mm}

DIMENSION

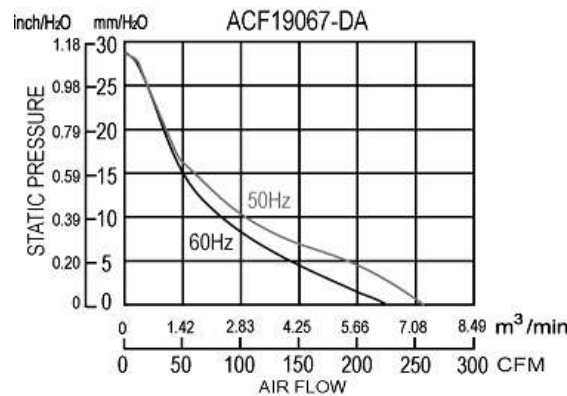


UNIT:mm[inch]

SPECIFICATION

MODEL NO.	RATED VOLTAGE (V)	FREQUENCY (Hz)	RATED CURRENT (A)	INPUT POWER (W)	SPEED (RPM)	MAX. AIR PRESSURE		MAX. AIR FLOW		NOISE dB(A) @1M
						inch/H2O	mm/H2O	CFM	m3/min	
ACF19067V1S2P-DA	115	50/60	0.39/0.42	45/48	2000/1600	1.10/1.10	28/28	256/224	7.25/6.34	61/59
ACF19067V2S2P-DA	230	50/60	0.17/0.19	39/44	2000/1600	1.10/1.10	28/28	256/224	7.25/6.34	61/59

AIR PERFORMANCE



ACF 19070-HL CE

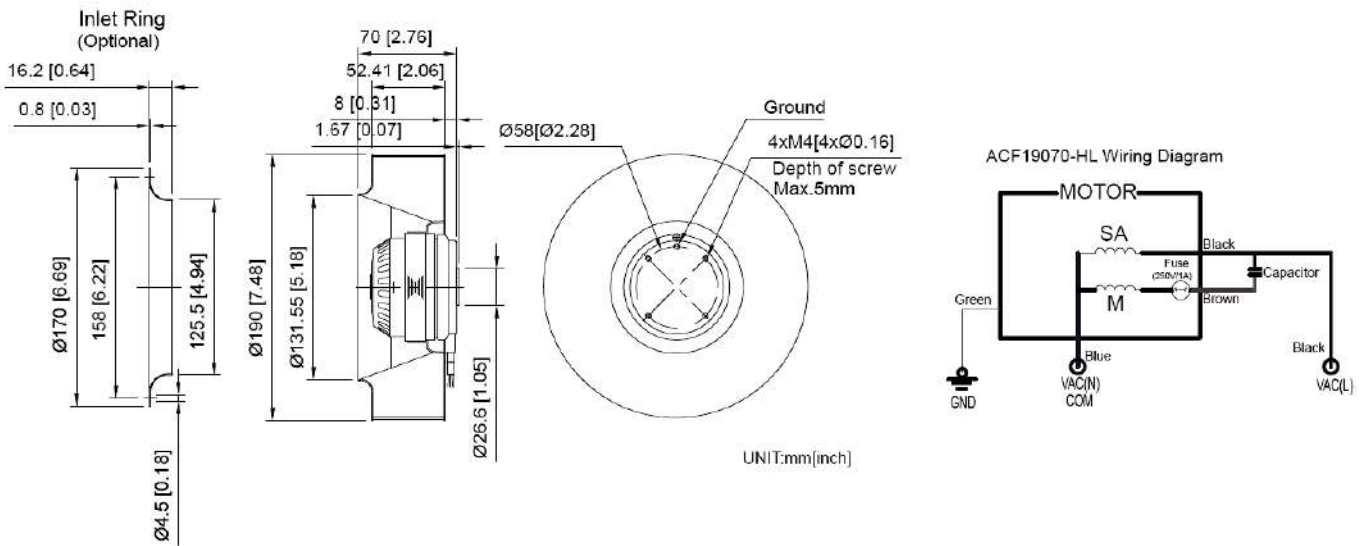
Ø190X70mm(Ø7.5"x2.75")



- | | |
|-----------------------|-------------------------------------|
| IMPELLER | Outer rotor motor Ø92mm |
| BEARING | Plastic |
| INSULATION | Ball |
| TERMINATION | Class F |
| OPERATING TEMPERATURE | Lead Wire |
| INSULATION RESISTANCE | 0°C to + 65°C |
| DIELECTRIC STRENGTH | 10M Ω min. @500 VDC |
| SAFETY | 5mA Max. at 1500 VAC for 1 second |
| MOTOR TYPE | Thermally Protected |
| WEIGHT | 1.2 kg |
| ROHS COMPLIANCE | Yes |
| IP LEVEL | IP21 (Special IP Rating On Request) |

190 mm

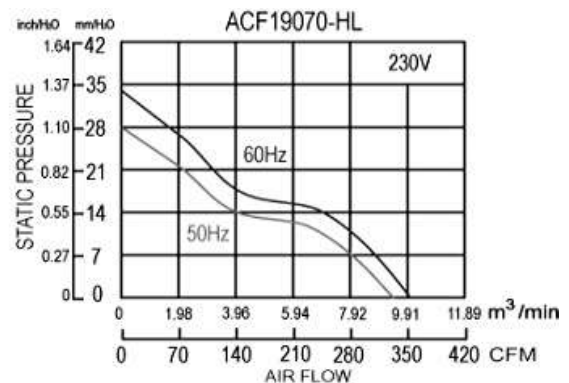
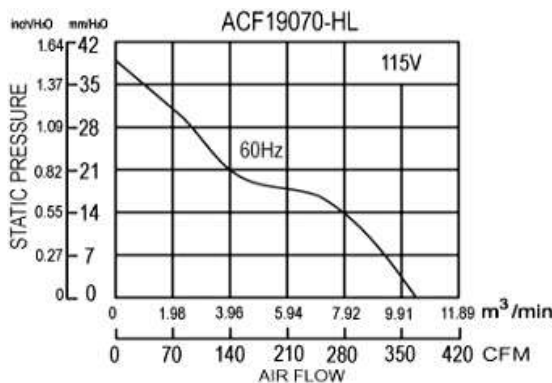
DIMENSION



SPECIFICATION

MODEL NO.	RATED VOLTAGE (V)	FREQUENCY (Hz)	RATED CURRENT (A)	INPUT POWER (W)	SPEED (RPM)	MAX. AIR PRESSURE		MAX. AIR FLOW		NOISE dB(A) @1M
						inch/H ₂ O	mm/H ₂ O	CFM	m ³ /min	
ACF19070V1HBL-HL	115	60	0.61	70	2700	1.52	38.7	368	10.42	54
ACF19070V2HBL-HL	230	50/60	0.26/0.34	55/72	2470/2570	1.10/1.34	28/34	335/353	9.48/9.98	54

AIR PERFORMANCE



ACF 19072

Ø190X72mm, 2 Poles(Ø7.48"x2.83")

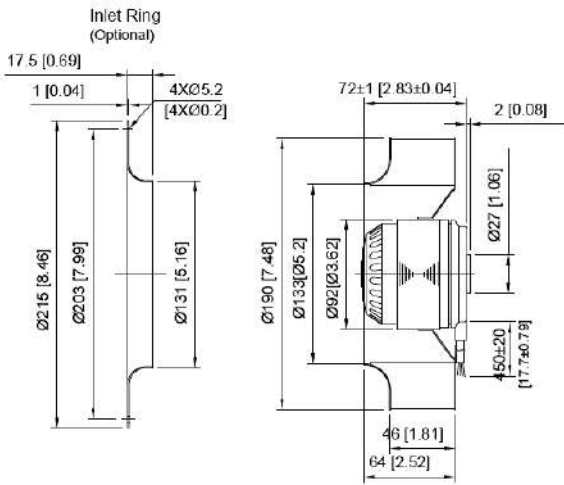


IMPELLER
BEARING
INSULATION
TERMINATION
OPERATING TEMPERATURE
INSULATION RESISTANCE
DIELECTRIC STRENGTH
SAFETY
MOTOR TYPE
WEIGHT
ROHS COMPLIANCE
IP LEVEL

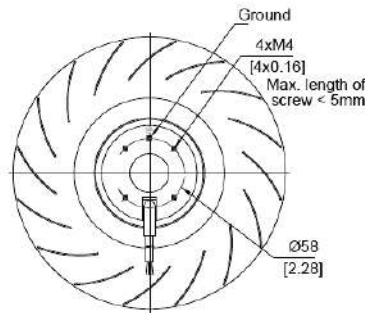
Outer rotor motor Ø92mm
Metal
Ball
Class F
Lead Wire
0°C to + 65°C
10M Ω min. @500 VDC
5mA Max. at 1500 VAC for 1 second
Thermally Protected
1.6 kg
Yes
IP44 (Special IP Rating On Request)

190_{mm}

DIMENSION



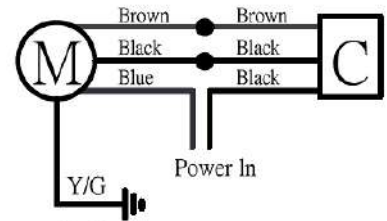
ROTATION DIRECTION



UNIT:mm[inch]

MODEL NO.	CAPACITOR uF/Vac
ACF19072V1H2P	8/250
ACF19072V2H2P	2/450

Wiring Diagram

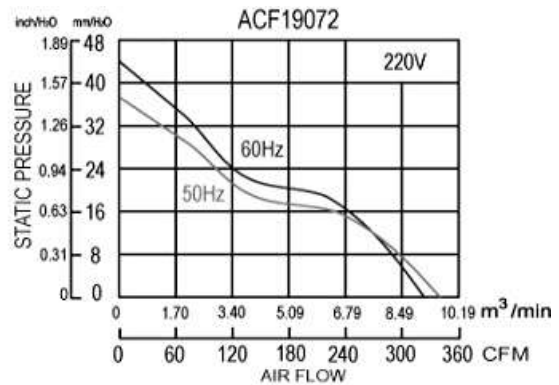
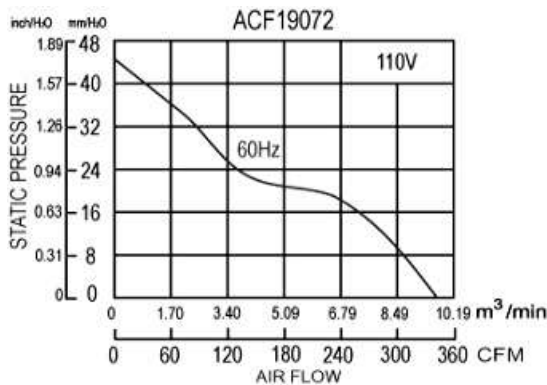


M : Motor
C : Capacitor
Y/G : Yellow and Green

SPECIFICATION

MODEL NO.	RATED VOLTAGE (V)	FREQUENCY (Hz)	RATED CURRENT (A)	INPUT POWER (W)	SPEED (RPM)	MAX. AIR PRESSURE inch/H ₂ O mm/H ₂ O	MAX. AIR FLOW CFM m ³ /min	NOISE dB(A) @1M
ACF19072V1H2P	110	60	0.8	86	2385	1.77 44.48	336 9.52	61
ACF19072V2H2P	220	50/60	0.32/0.40	73/86	2410/2385	1.49/1.77 37.74/44.48	335/326 9.50/9.25	63/61

AIR PERFORMANCE



ACF 19072-DA CE

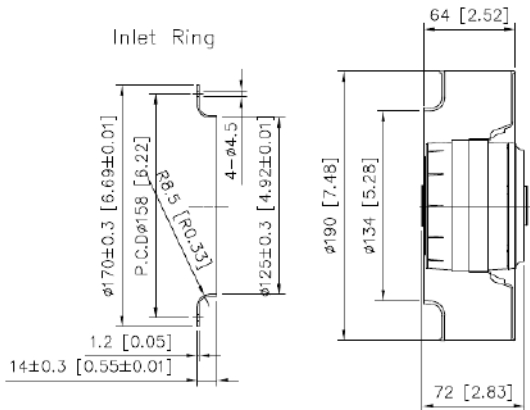
Ø190X72mm(Ø7.48"x2.83")



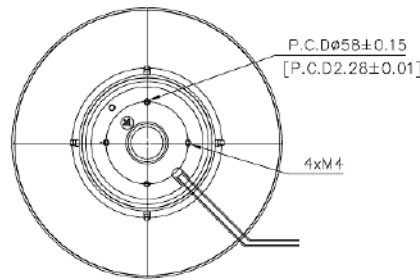
IMPELLER	Plastic
BEARING	Ball
INSULATION	Class F
TERMINATION	Lead Wire
OPERATING TEMPERATURE	-20°C to +70°C
INSULATION RESISTANCE	10M Ω min. @500 VDC
DIELECTRIC STRENGTH	1,800 VAC for 1 second
SAFETY	AC Induction Capacitor Motor
MOTOR TYPE	Thermally Protected
WEIGHT	1.82 kg
ROHS COMPLIANCE	Yes
IP LEVEL	IP54 (Special IP Rating On Request)

190 mm

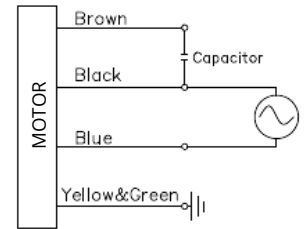
DIMENSION



MODEL NO.	CAPACITOR μ F/Vac
ACF19072V1H2P-DA	6/250
ACF19072V2H2P-DA	2/450



Wiring Diagram

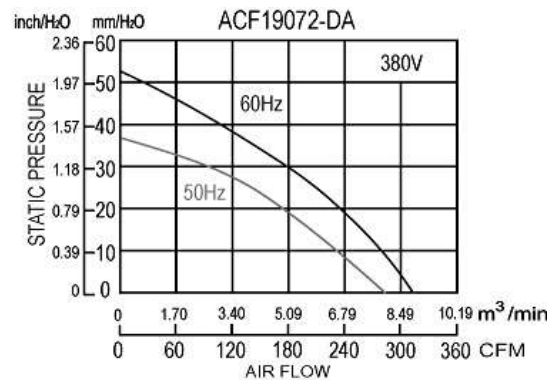
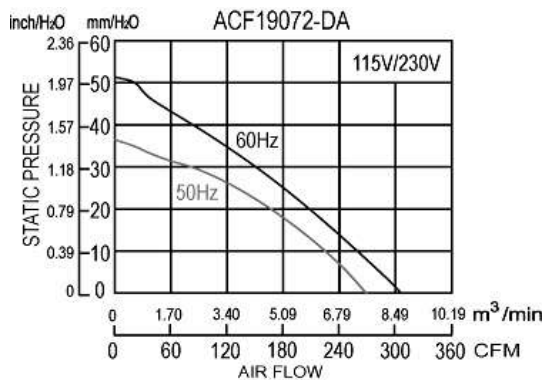


UNIT: mm[inch]

SPECIFICATION

MODEL NO.	RATED VOLTAGE (V)	FREQUENCY (Hz)	RATED CURRENT (A)	INPUT POWER (W)	SPEED (RPM)	MAX. AIR PRESSURE		MAX. AIR FLOW		NOISE dB(A)@1M
						inch/H ₂ O	mm/H ₂ O	CFM	m ³ /min	
ACF19072V1H2P-DA	115	50/60	0.56/0.70	58/80	2700/3100	1.46/2.01	37/51	269/304	7.62/8.61	70/73
ACF19072V2H2P-DA	230	50/60	0.26/0.34	58/80	2700/3100	1.46/2.01	37/51	269/304	7.62/8.61	70/73
ACF19072V3H2P-DA	380	50/60	0.16/0.23	60/84	2800/3200	1.46/2.09	37/53	279/313	7.70/8.86	70/73

AIR PERFORMANCE



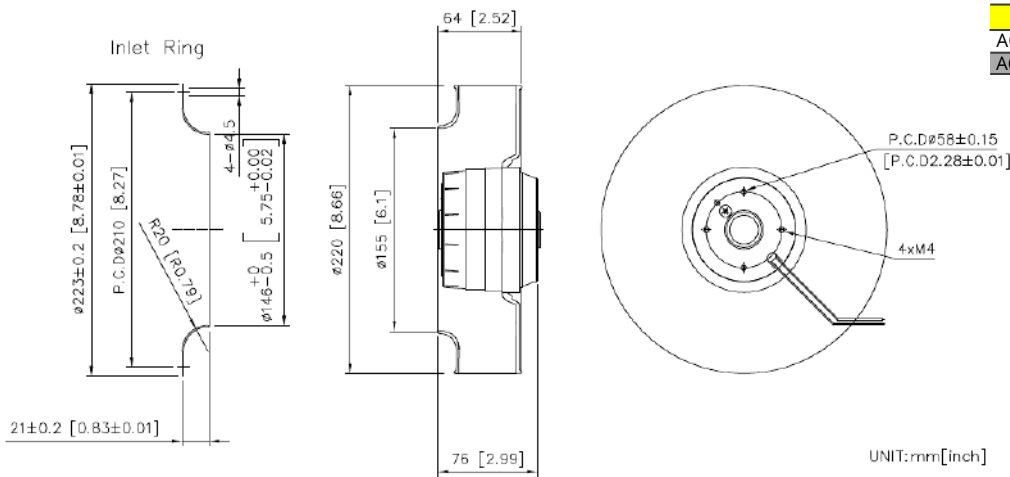
ACF 22076-DA ø220X76mm(ø8.66"x2.99")



IMPELLER	Plastic
BEARING	Ball
INSULATION	Class F
TERMINATION	Lead Wire
OPERATING TEMPERATURE	-20°C to + 70°C
INSULATION RESISTANCE	10M Ω min. @500 VDC
DIELECTRIC STRENGTH	1,800 VAC for 1 second
SAFETY	AC Induction Capacitor Motor
MOTOR TYPE	Thermally Protected
WEIGHT	1.98 kg
ROHS COMPLIANCE	Yes
IP LEVEL	IP21 (Special IP Rating On Request)

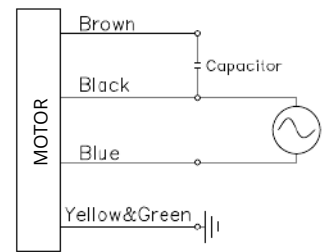
220_{mm}

DIMENSION



MODEL NO.	CAPACITOR uF/Vac
ACF22076V1H2P-DA	10/250
ACF22076V2H2P-DA	3/450

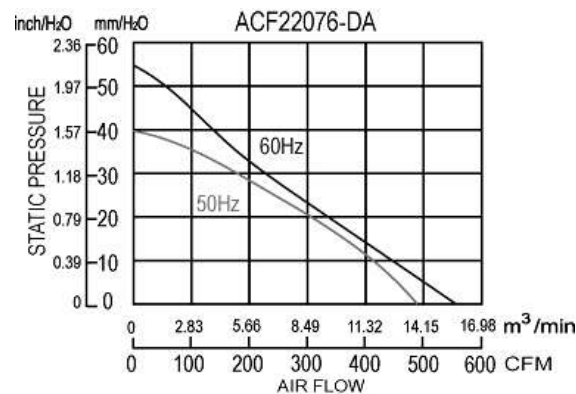
Wiring Diagram



SPECIFICATION

MODEL NO.	RATED VOLTAGE (V)	FREQUENCY (Hz)	RATED CURRENT (A)	INPUT POWER (W)	SPEED (RPM)	MAX. AIR PRESSURE		MAX. AIR FLOW		NOISE dB(A) @1M
						inch/H ₂ O	mm/H ₂ O	CFM	m ³ /min	
ACF22076V1H2P-DA	115	50/60	0.70/1.00	82/115	2650/2950	1.58/2.17	40/55	490/550	13.87/15.57	75/78
ACF22076V2H2P-DA	230	50/60	0.35/0.50	82/115	2650/2950	1.58/2.17	40/55	490/550	13.87/15.57	75/78

AIR PERFORMANCE



ACF 225101-DA

CE
 Ø225X101mm(Ø8.86"x3.98")

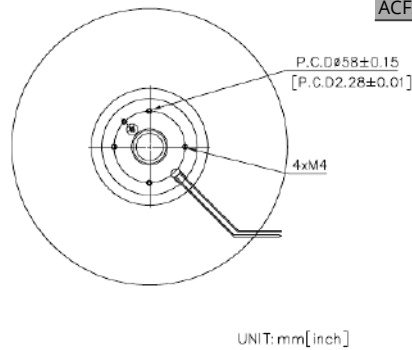
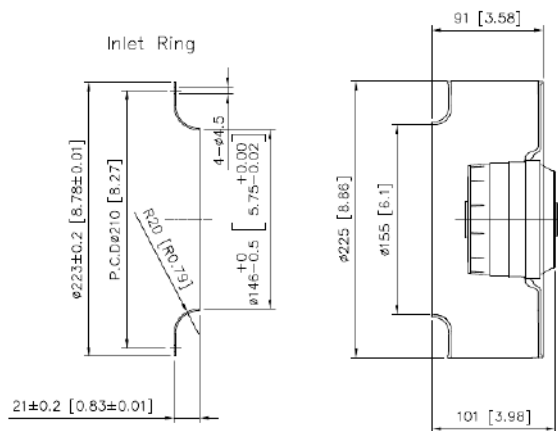


IMPELLER
 BEARING
 INSULATION
 TERMINATION
 OPERATING TEMPERATURE
 INSULATION RESISTANCE
 DIELECTRIC STRENGTH
 SAFETY
 MOTOR TYPE
 WEIGHT
 ROHS COMPLIANCE
 IP LEVEL

Plastic
 Ball
 Class F
 Lead Wire
 -20°C to + 70°C
 10M Ω min. @500 VDC
 1,800 VAC for 1 second
 AC Induction Capacitor Motor
 Thermally Protected
 1985 g
 Yes
 IP54 (Special IP Rating On Request)

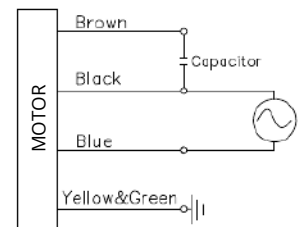
225 mm

DIMENSION



MODEL NO.	CAPACITOR $\mu\text{F}/\text{Vac}$
ACF225101V2L4P-DA	1.5/450
ACF225101V1L4P-DA	6.0/250
ACF225101V2H2P-DA	4.0/450
ACF225101V1H2P-DA	12.0/250

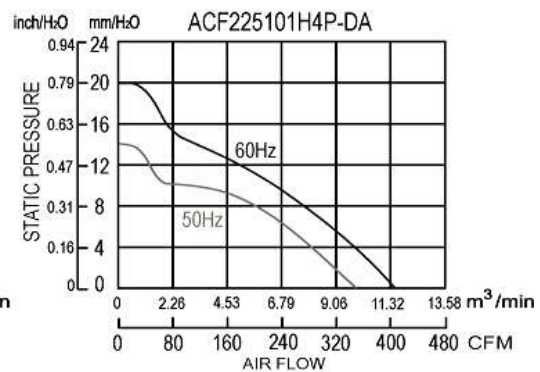
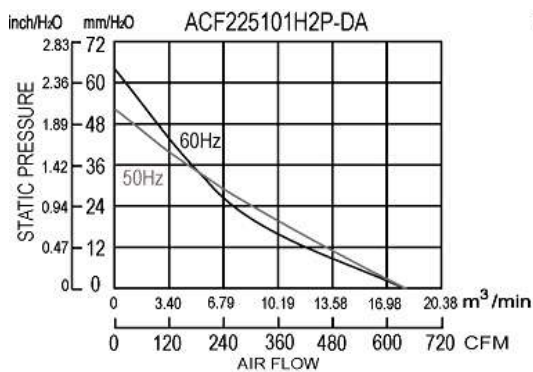
Wiring Diagram



SPECIFICATION

MODEL NO.	RATED VOLTAGE (V)	FREQUENCY (Hz)	RATED CURRENT (A)	INPUT POWER (W)	SPEED (RPM)	MAX. AIR PRESSURE		MAX. AIR FLOW		NOISE dB(A) @1M
						inch/H ₂ O	mm/H ₂ O	CFM	m ³ /min	
ACF225101V1H2P-DA	115	50/60	0.93/1.30	109/145	2500/2650	2.05/2.52	52/64	636/635	18.01/17.98	70/72
ACF225101V1L4P-DA	115	50/60	0.39/0.39	40/50	1400/1600	0.55/0.79	14/20	347/405	9.83/11.47	59/61
ACF225101V2H2P-DA	230	50/60	0.49/0.67	109/145	2500/2500	2.05/2.52	52/64	636/635	18.01/17.98	70/72
ACF225101V2L4P-DA	230	50/60	0.18/0.22	40/50	1400/1600	0.55/0.79	14/20	347/405	9.83/11.47	59/61

AIR PERFORMANCE



ACF 22575~100



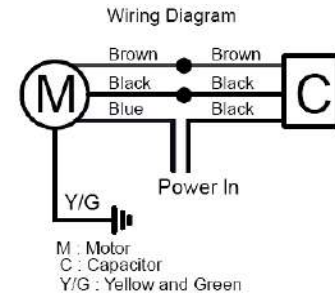
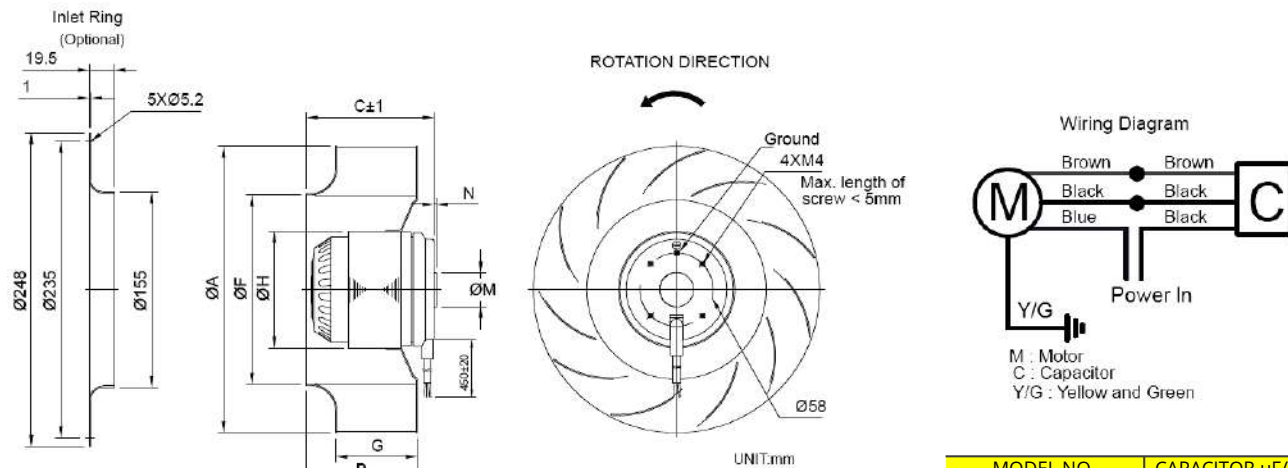
Ø225X75~100mm, 2 poles&4 poles
(Ø8.86"x2.95"~3.94")



- | | |
|-----------------------|-------------------------------------|
| MOTOR | Outer rotor motor Ø92mm |
| IMPELLER | Metal |
| BEARING | Ball |
| INSULATION | Class F |
| TERMINATION | Lead Wire |
| OPERATING TEMPERATURE | 0°C to + 65°C |
| DIELECTRIC STRENGTH | 5mA Max. at 1500 VAC for 1 second |
| INSULATION RESISTANCE | 10M Ω min. @500 VDC |
| SAFETY | Thermally Protected |
| ROHS COMPLIANCE | Yes |
| IP LEVEL | IP44 (Special IP Rating On Request) |

225mm

DIMENSION



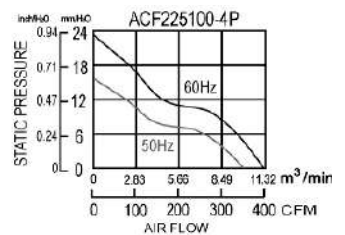
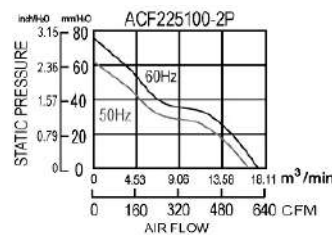
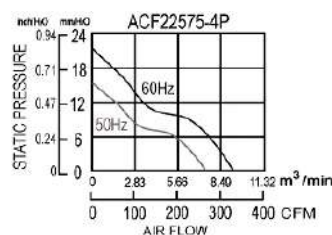
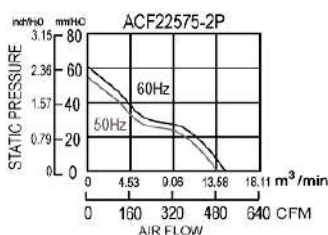
MODEL NO.	DIMENSION(mm)								WEIGHT (Kg)
	A	B	C	F	G	H	M	N	
ACF22575-2P	225	65	75	153	42	92	27	2	2.3
ACF22575-4P	225	65	75	153	42	92	27	2	3.0
ACF225100-2P	225	88	100	153	65	92	27	2	3.4
ACF225100-4P	225	88	100	153	65	92	27	2	3.2

MODEL NO.	CAPACITOR uF/Vac
ACF22575V1H2P	12/250
ACF22575V2H2P	3/450
ACF225100V1H2P	6/250
ACF225100V2H2P	1.5/450
ACF22575V1H4P	20/250
ACF22575V2H4P	5/450
ACF225100V1H4P	8/250
ACF225100V2H4P	2/450

SPECIFICATION

MODEL NO.	RATED VOLTAGE (V)	FREQUENCY (Hz)	RATED CURRENT (A)	INPUT POWER (W)	SPEED (RPM)	MAX. AIR PRESSURE		MAX. AIR FLOW		NOISE dB(A) @1M
						inch/H2O	mm/H2O	CFM	m3/min	
ACF22575V1H2P	110	60	1.05	115	2925	2.37	60.18	512	14.5	72
ACF22575V2H2P	220	50/60	0.38/0.53	85/115	2650/2925	2.19/2.37	55.59/60.18	488/512	13.83/14.50	70/72
ACF22575V1H4P	110	60	0.38	40	1700	0.86	21.73	324	9.17	58
ACF22575V2H4P	220	50/60	0.14/0.19	30/40	1440/1700	0.60/3.55	15.30/21.73	259/323	7.33/9.17	57/58
ACF225100V1H2P	110	60	1.9	200	2900	3.01	76.5	618	17.5	75
ACF225100V2H2P	220	50/60	0.65/0.92	140/200	2620/2870	2.45/3.01	62.22/76.50	576/617	16.33/17.50	71/75
ACF225100V1H4P	110	60	0.52	55	1650	0.92	23.26	394	11.17	59
ACF225100V2H4P	220	50/60	0.25/0.26	50/55	1400/1650	0.62/0.92	15.81/23.26	347/394	9.83/11.17	55/59

AIR PERFORMANCE



ACF 25094-DA



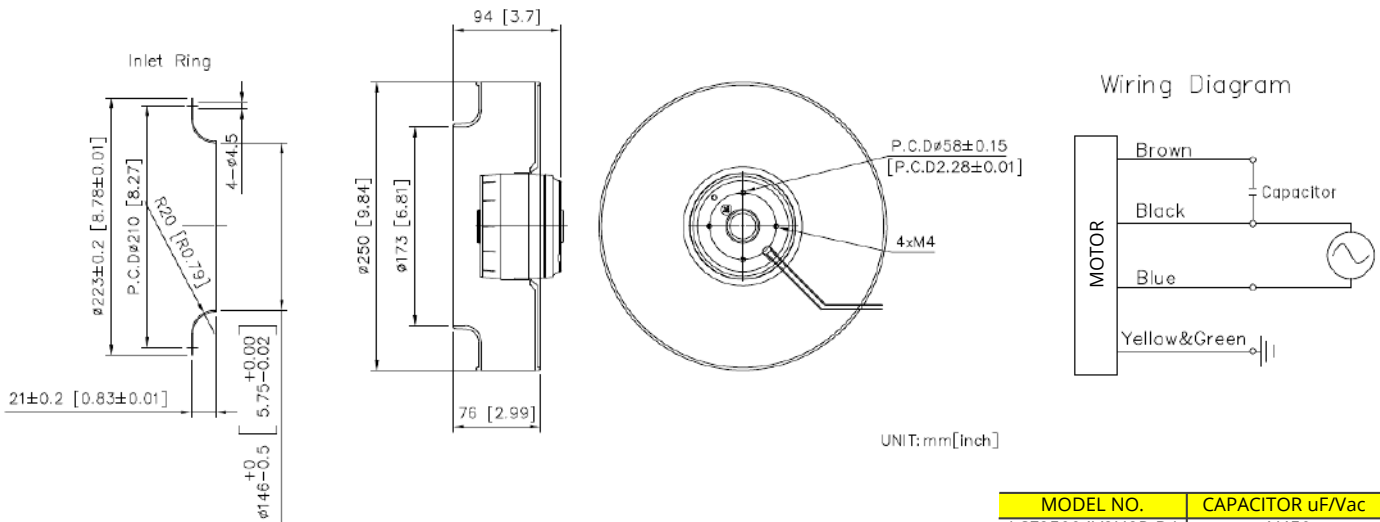
Ø250X94mm(Ø9.84"x3.67")



IMPELLER Plastic
 BEARING Ball
 INSULATION Class F
 TERMINATION Lead Wire
 OPERATING TEMPERATURE -20°C to + 70°C
 INSULATION RESISTANCE 10M Ω min. @500 VDC
 DIELECTRIC STRENGTH 1,800 VAC for 1 second
 SAFETY AC Induction Capacitor Motor
 MOTOR TYPE Thermally Protected
 WEIGHT 2.09 kg
 ROHS COMPLIANCE Yes
 IP LEVEL IP54 (Special IP Rating On Request)

250_{mm}

DIMENSION

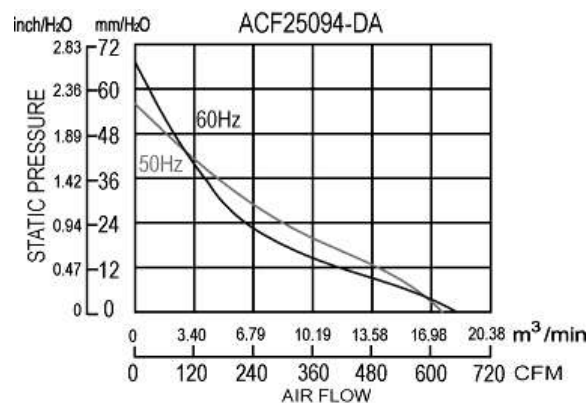


MODEL NO.	CAPACITOR uF/Vac
ACF25094V2H2P-DA	4/450
ACF25094V1H2P-DA	12/250

SPECIFICATION

MODEL NO.	RATED VOLTAGE (V)	FREQUENCY (Hz)	RATED CURRENT (A)	INPUT POWER (W)	SPEED (RPM)	MAX. AIR PRESSURE		MAX. AIR FLOW		NOISE dB(A) @1M
						inch/H2O	mm/H2O	CFM	m3/min	
ACF25094V1H2P-DA	115	50/60	0.90/1.23	103/142	2600/2700	2.24/2.72	57/69	619/648	17.53/18.35	76/78
ACF25094V2H2P-DA	230	50/60	0.48/0.66	106/148	2600/2700	2.24/2.72	57/69	619/648	17.53/18.35	76/78

AIR PERFORMANCE



ACF 25096

Ø250X96mm, 2 poles&4 poles(Ø9.84"x3.78")

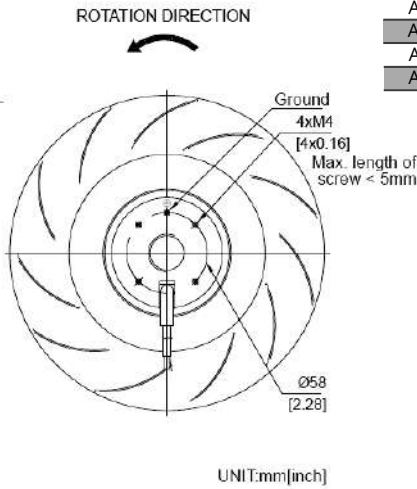
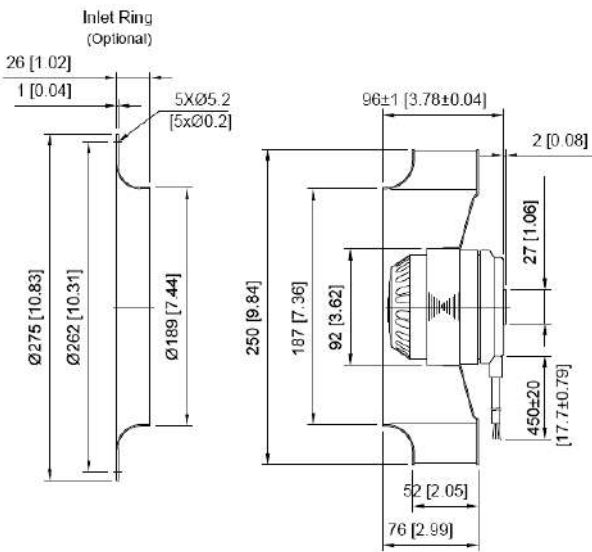


IMPELLER
BEARING
INSULATION
TERMINATION
OPERATING TEMPERATURE
INSULATION RESISTANCE
DIELECTRIC STRENGTH
SAFETY
MOTOR TYPE
WEIGHT
ROHS COMPLIANCE
IP LEVEL

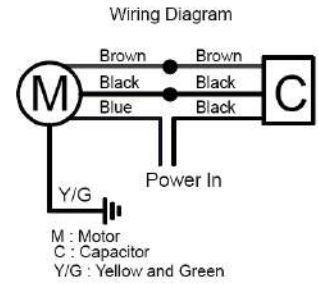
Outer rotor motor Ø92mm
Metal
Ball
Class F
Lead Wire
0°C to + 65°C
5mA Max. at 1500 VAC for 1 second
10M Ω min. @500 VDC
Thermally Protected
4kg
Yes
IP44 (Special IP Rating On Request)

250_{mm}

DIMENSION



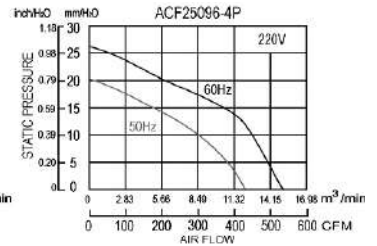
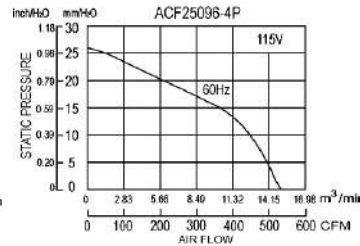
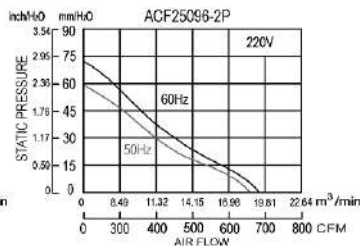
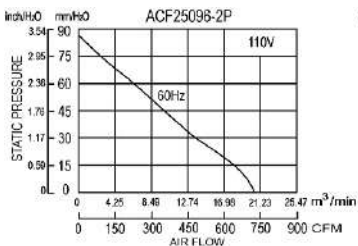
MODEL NO.	CAPACITOR uF/Vac
ACF25096V1H2P	30/250
ACF25096V2H2P	6/450
ACF25096V1H4P	8/250
ACF25096V2H4P	2/450



SPECIFICATION

MODEL NO.	RATED VOLTAGE (V)	FREQUENCY (Hz)	RATED CURRENT (A)	INPUT POWER (W)	SPEED (RPM)	MAX. AIR PRESSURE		MAX. AIR FLOW		NOISE dB(A) @1M
						inch/H2O	mm/H2O	CFM	m3/min	
ACF25096V1H2P	110	60	2.8	300	2500	2.85	72.42	677	19.18	76
ACF25096V1H4P	115	60	0.66	70	1600	1.02	26.01	524	14.83	64
ACF25096V2H2P	220	50/60	0.92/1.15	195/250	2200/2355	2.35/2.85	59.67/72.42	647/676	18.33/19.18	75/76
ACF25096V2H4P	220	50/60	0.3/0.33	60/70	1385/1600	0.80/1.02	20.04/26.01	424/524	12.00/14.83	61/64

AIR PERFORMANCE



ACF 28092~114



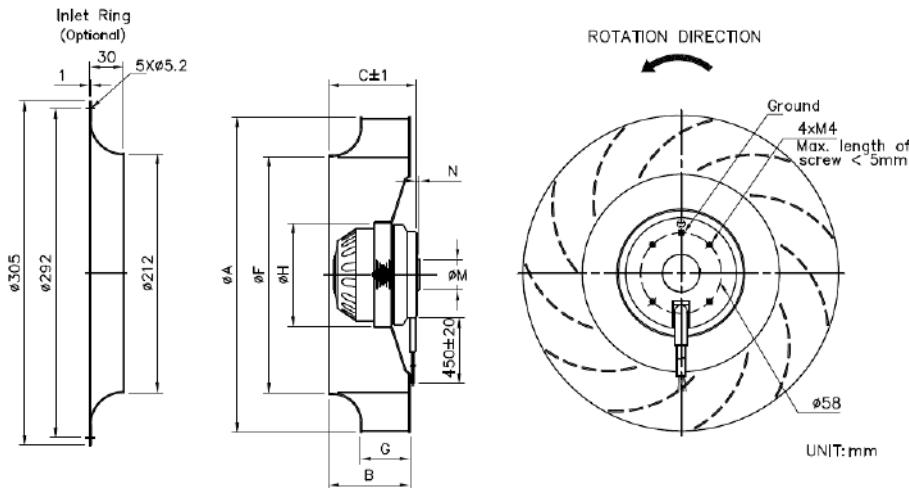
Ø280x92~114mm, 2 poles&4 poles
(Ø11.00"x3.62"~4.48")



MOTOR	Outer rotor motor Ø92mm
IMPELLER	Metal
BEARING	Ball
INSULATION	Class F
TERMINATION	Lead Wire
OPERATING TEMPERATURE	0°C to + 65°C
DIELECTRIC STRENGTH	5mA Max. at 1500 VAC for 1 second
INSULATION RESISTANCE	10M Ω min. @500 VDC
SAFETY	Thermally Protected
ROHS COMPLIANCE	Yes
IP LEVEL	IP44 (Special IP Rating On Request)

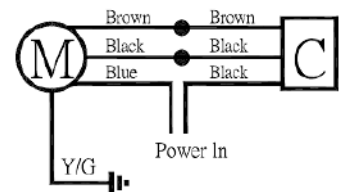
280_{mm}

DIMENSION



MODEL NO.	CAPACITOR uF/Vac
ACF28092V1H2P	30/250
ACF28092V2H2P	8/450
ACF280114V1H4P	16/250
ACF280114V2H4P	4/450

Wiring Diagram



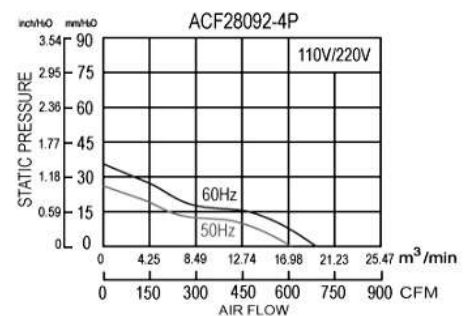
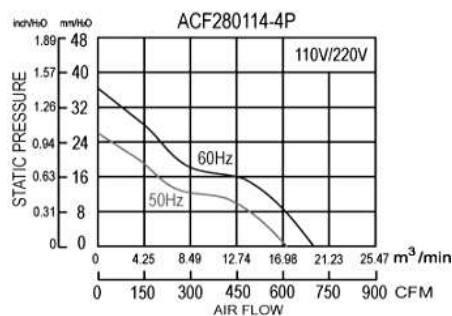
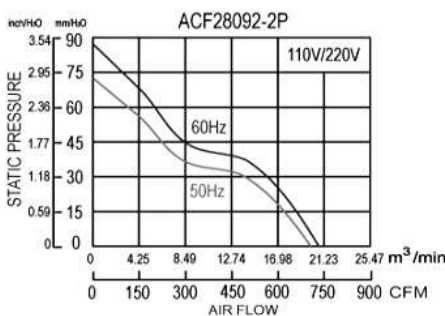
M : Motor
C : Capacitor
Y/G : Yellow and Green

MODEL NO.	DIMENSION(mm)								WEIGHT (Kg)
	A	B	C	F	G	H	M	N	
ACF28092-2P	280	72	92	210	44	92	27	2	3.3
ACF280114-4P	280	106	114	210	78	92	27	2	3.6

SPECIFICATION

MODEL NO.	RATED VOLTAGE (V)	FREQUENCY (Hz)	RATED CURRENT (A)	INPUT POWER (W)	SPEED (RPM)	MAX. AIR PRESSURE		MAX. AIR FLOW		NOISE dB(A) @1M
						inch/H2O	mm/H2O	CFM	m3/min	
ACF28092V1H2P	110	60	2.82	300	2370	3.45	87.72	724	20.51	75
ACF28092V2H2P	220	50/60	1.08/1.41	234/307	2310/2370	2.87/3.45	72.93/87.72	706/723	20.00/20.50	73/75
ACF280114V1H4P	110	60	1.34	145	1645	1.43	36.21	689	19.5	67
ACF280114V2H4P	220	50/60	0.67/0.7	130/145	1390/1645	1.02/1.43	26.01/36.21	612/689	17.33/19.50	62/67

AIR PERFORMANCE



ACF 305110-HL

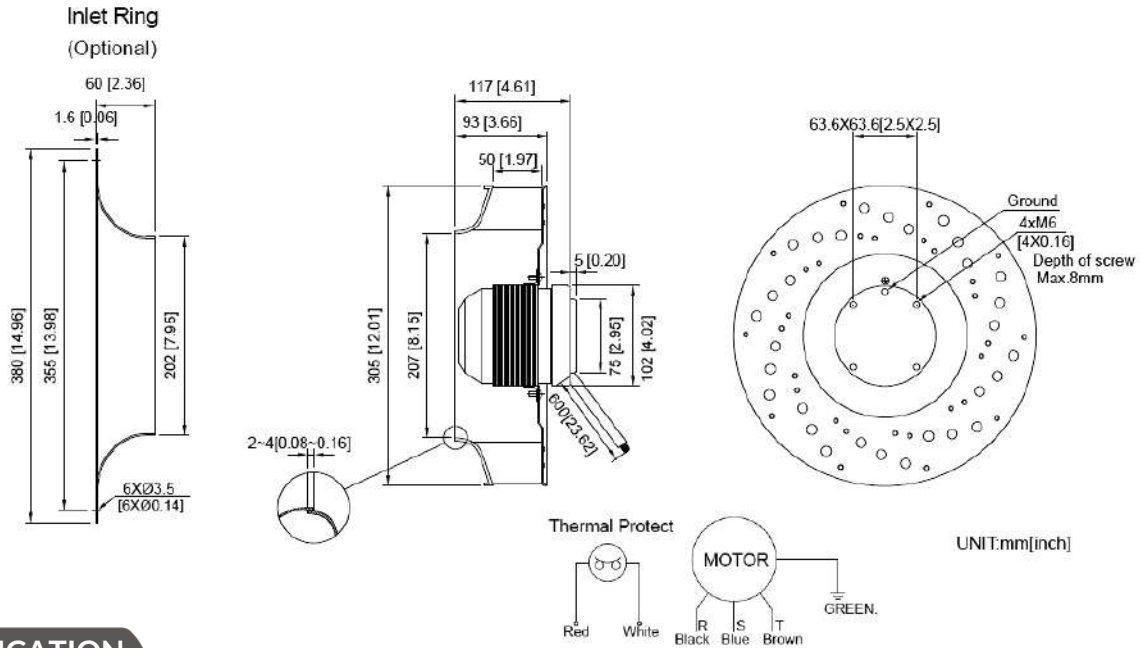
Ø305X110mm, 220v, 4 poles
(Ø12.01"x4.33")



IMPELLER	Outer rotor motor Ø102mm
BEARING	Plastic Impeller, Metal Plate
INSULATION	Ball
TERMINATION	Class A
OPERATING TEMPERATURE	Lead Wire
INSULATION RESISTANCE	0°C to + 65°C
DIELECTRIC STRENGTH	5mA Max. at 1500 VAC for 1 second
SAFETY	10M Ω min. @500 VDC
MOTOR TYPE	Thermally Protected
WEIGHT	7 Kg
ROHS COMPLIANCE	Yes
IP LEVEL	IP21 (Special IP Rating On Request)

305 mm

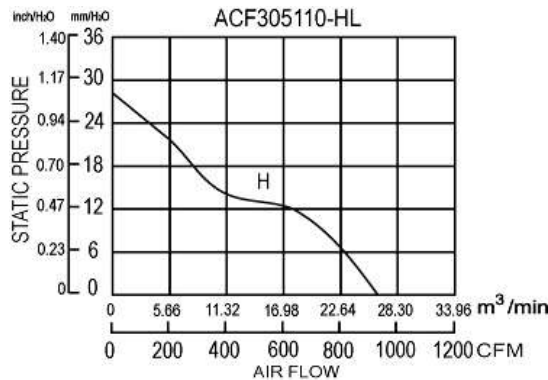
DIMENSION



SPECIFICATION

MODEL NO.	RATED VOLTAGE (V)	FREQUENCY (Hz)	RATED CURRENT (A)	INPUT POWER (W)	SPEED (RPM)	MAX. AIR PRESSURE inch/H ₂ O mm/H ₂ O	MAX. AIR FLOW CFM m ³ /min	NOISE dB(A) @1M
ACF305110V2H4PT-HL	3Ø 220	50/60	0.7	174	1390/1600	1.09 28	917 26	54

AIR PERFORMANCE



ACF 305112-HL

Ø305X112 mm, 4 poles
(Ø12.01"x4.41")

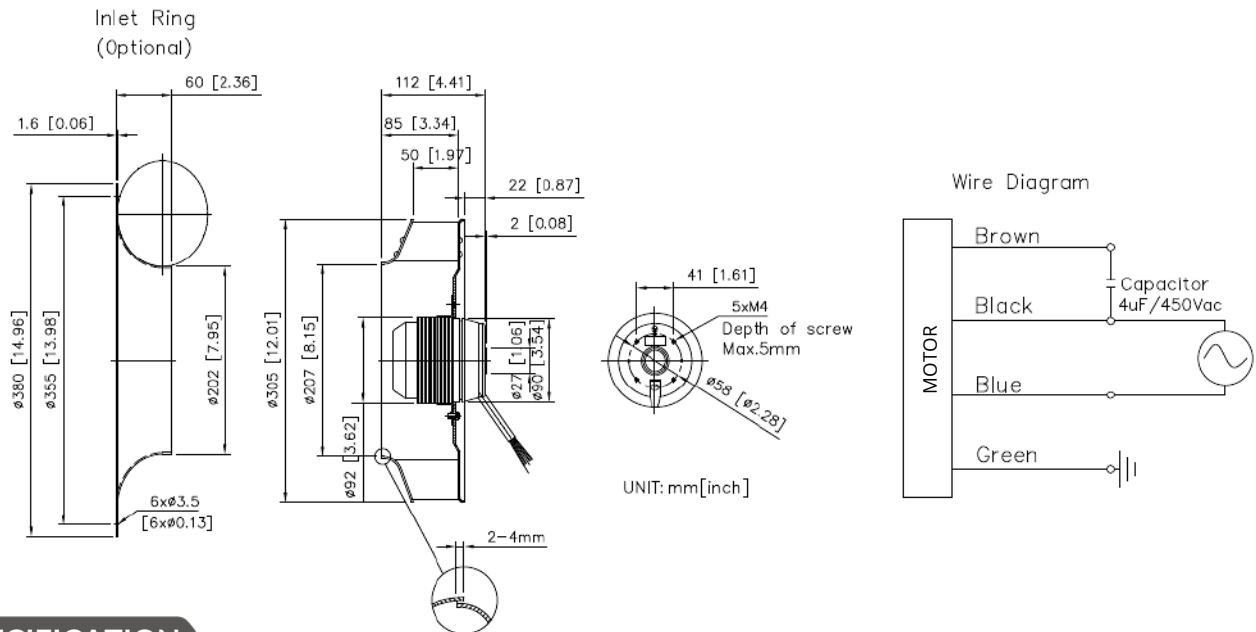


IMPELLER
BEARING
INSULATION
TERMINATION
OPERATING TEMPERATURE
INSULATION RESISTANCE
DIELECTRIC STRENGTH
SAFETY
MOTOR TYPE
WEIGHT
ROHS COMPLIANCE
IP LEVEL

Outer rotor motor Ø90mm
Aluminum
Ball
Class A
Lead Wire
0°C to + 65°C
5mA Max. at 1500 VAC for 1 second
10M Ω min. @500 VDC
Thermally Protected
4.8 kgs
Yes
IP44 (Special IP Rating On Request)

305 mm

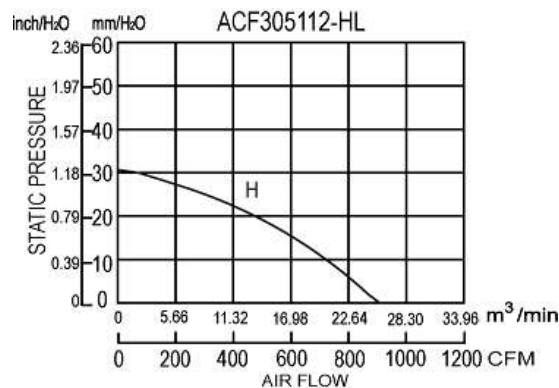
DIMENSION



SPECIFICATION

MODEL NO.	RATED VOLTAGE (V)	FREQUENCY (Hz)	RATED CURRENT (A)	INPUT POWER (W)	SPEED (RPM)	MAX. AIR PRESSURE inch/H2O mm/H2O	MAX. AIR FLOW CFM m3/min	NOISE dB(A) @1M
ACF305112V2H4PS-HL	220	60	0.69	155	1575	1.21 30.7	901 25.5	54

AIR PERFORMANCE



ACF 355128

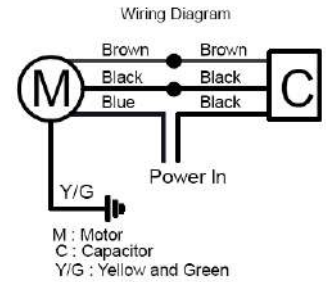
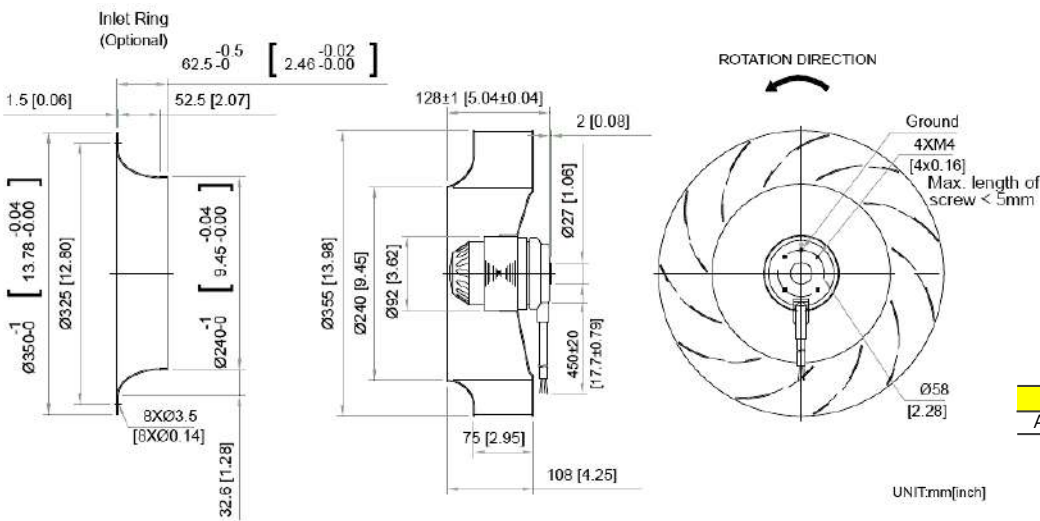
Ø355X125mm, 4 poles(Ø13.98"x5.04")



MOTOR	Outer rotor motor Ø102mm
IMPELLER	Aluminum Impeller
BEARING	Ball
INSULATION	Class A
TERMINATION	Lead Wire
OPERATING TEMPERATURE	0°C to + 65°C
DIELECTRIC STRENGTH	5mA Max. at 1500 VAC for 1 second
INSULATION RESISTANCE	10M Ω min. @500 VDC
SAFETY	Thermally Protected
WEIGHT	4.2 Kg
ROHS COMPLIANCE	YES
CAPACITOR	8uF/450VAC
IP LEVEL	IP44 (Special IP Rating On Request)

355 mm

DIMENSION

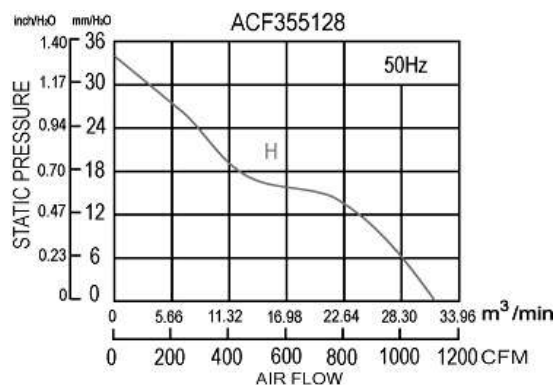


MODEL NO.	CAPACITOR uF/Vac
ACF355128V2H4P	6/450

SPECIFICATION

MODEL NO.	RATED VOLTAGE (V)	FREQUENCY (Hz)	RATED CURRENT (A)	INPUT POWER (W)	SPEED (RPM)	MAX. AIR PRESSURE inch/H ₂ O mm/H ₂ O	MAX. AIR FLOW CFM m ³ /min	NOISE dB(A) @1M
ACF355128V2H4P	220	50	0.73	160	1370	1.37 34.68	1154 32.67	66

AIR PERFORMANCE



ACF 355128-HL CE

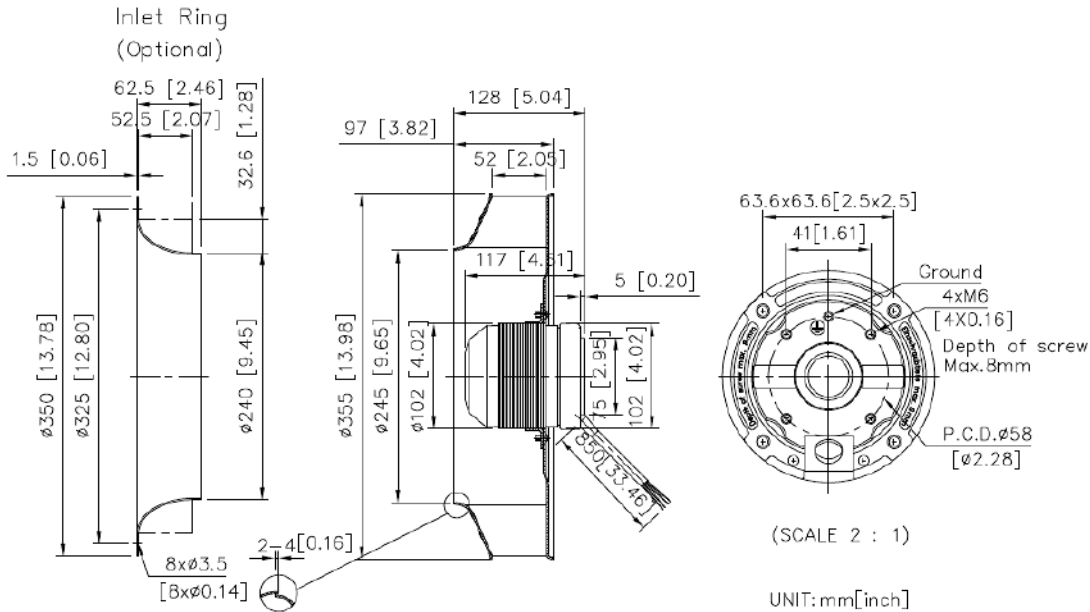
Ø355X128mm(Ø13.98"x5.04")



MOTOR	Outer rotor motor Ø102mm
IMPELLER	Aluminum Impeller
BEARING	Ball
INSULATION	Class A
TERMINATION	Lead Wire
OPERATING TEMPERATURE	0°C to + 65°C
DIELECTRIC STRENGTH	5mA Max. at 1500 VAC for 1 second
INSULATION RESISTANCE	10M Ω min. @500 VDC
SAFETY	Thermally Protected
WEIGHT	4.2 Kg
ROHS COMPLIANCE	YES
CAPACITOR	4uF/450VAC
IP LEVEL	IP21 (Special IP Rating On Request)

355 mm

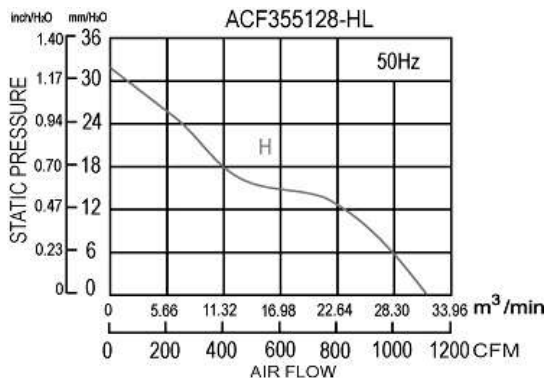
DIMENSION



SPECIFICATION

MODEL NO.	RATED VOLTAGE (V)	FREQUENCY (Hz)	RATED CURRENT (A)	INPUT POWER (W)	SPEED (RPM)	MAX. AIR PRESSURE inch/H2O mm/H2O	MAX. AIR FLOW CFM m3/min	NOISE dB(A) @1M
ACF355128V2H4PS-HL	220	50	0.91	185	1250	1.24 31.62	1130 32	54

AIR PERFORMANCE



ACB

208~226

MOTORIZED IMPELLER

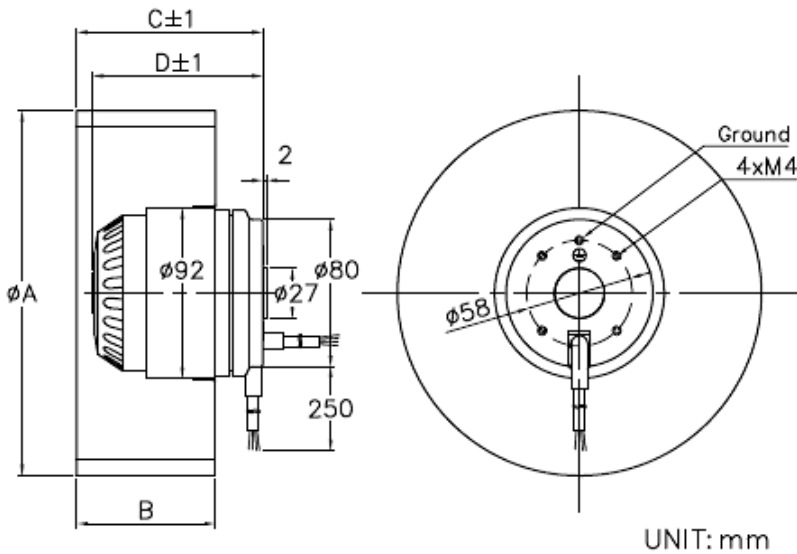
Ø120X62, Ø160X62
(Ø4.72"x2.44", Ø6.30"x2.44")



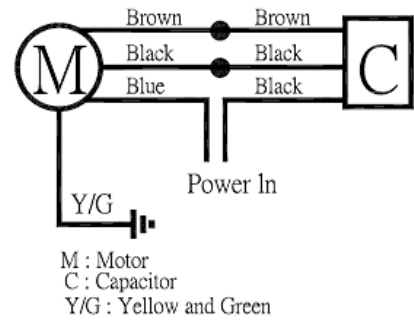
MOTOR	Outer rotor motor Ø 92mm
IMPELLER	Steel
BEARING	Ball
INSULATION	Class F
OPERATING TEMPERATURE	0°C to + 65°C
DIELECTRIC STRENGTH	5mA Max. at 1500 VAC for 1 second
INSULATION RESISTANCE	10M Ω min. @500 VDC
SAFETY	Thermally Protected
WEIGHT	2.7 Kg
ROHS COMPLIANCE	Yes
IP LEVEL	IP44 (Special IP Rating On Request)

208~226 mm

DIMENSION



WIRE DIAGRAM



UNIT: mm

SIZE (mm)	DIMENSION(mm)				WEIGHT (kg)	MODEL NO.
	A	B	C	D		
Ø120X62	120	62	85	63	2.3	ACB208120F-2P
Ø160X62	160	62	72	91	4.2	ACB226130HF-2P
Ø160X62	160	62	72	72	4.2	ACB226130MF-2P
Ø160X62	160	62	72	68	2.9	ACB226130LF-2P
Ø160X62	160	62	72	91	4.2	ACB226130HF-4P

MODEL NO.	CAPACITOR uF/Vac
ACB208120V1H2PF	12/250
ACB208120V2H2PF	3/450
ACB226130V1H2PF	30/250
ACB226130V1M2PF	25/250
ACB226130V1L2PF	16/250
ACB226130V1H4PF	8/250
ACB226130V2H2PF	8/450
ACB226130V2M2PF	6/450
ACB226130V2L2PF	4/450
ACB226130V2H4PF	2/450

SPECIFICATION

MODEL NO.	RATED VOLTAGE (V)	FREQUENCY (Hz)	RATED CURRENT (A)	INPUT POWER (W)	SPEED (RPM)
ACB208120V1H2PF	110	60	0.94	103	2010
ACB208120V2H2PF	220	50/60	0.34/0.47	74/102	2100/2080
ACB226130V1H2PF	110	60	2.6	283	2200
ACB226130V1M2PF	110	60	2.11	231	2060
ACB226130V1L2PF	110	60	1.62	212	1980
ACB226130V1H4PF	110	60	0.47	84.9	1400
ACB226130V2H2PF	220	50/60	0.92/1.30	196/283	2190/2200
ACB226130V2M2PF	220	50/60	0.78/1.06	171/231	2140/2060
ACB226130V2L2PF	220	50/60	0.60/0.81	158/212	2075/1980
ACB226130V2H4PF	220	50/60	0.26/0.37	58/58	1300/1400

ACB 301168-DL



301X168X364mm
(11.85"x6.61"x14.33")

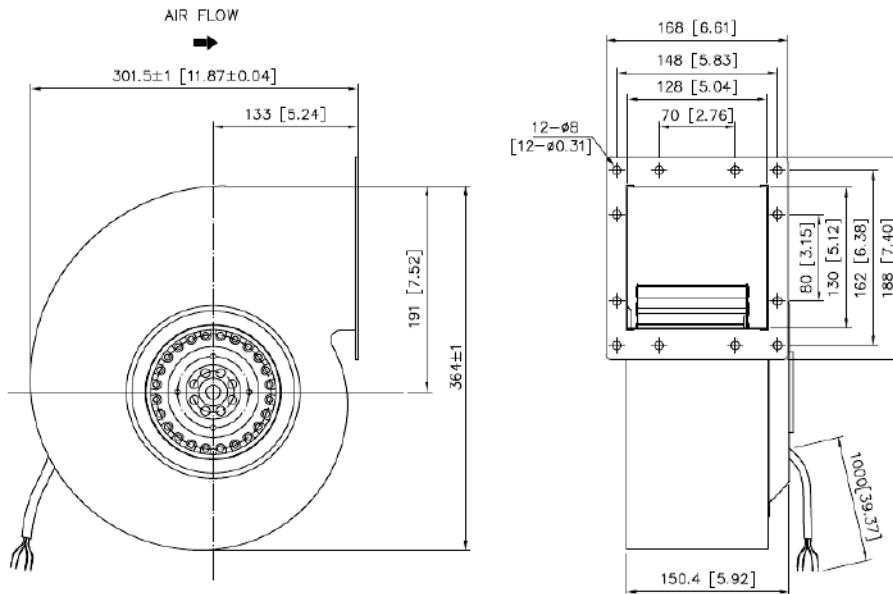


MOTOR
IMPELLER
BEARING
INSULATION
OPERATING TEMPERATURE
DIELECTRIC STRENGTH
INSULATION RESISTANCE
SAFETY
WEIGHT
ROHS COMPLIANCE
IP LEVEL

Outer rotor motor \varnothing 92mm
Metal
Ball
Class F
-30°C to + 65°C
5mA Max. at 1500 VAC for 1 second
10M Ω min. @500 VDC
Thermally Protected
7.2 kgs
YES
IP54 (Special IP Rating On Request)

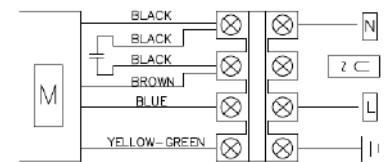
301 mm

DIMENSION



UNIT:mm[inch]

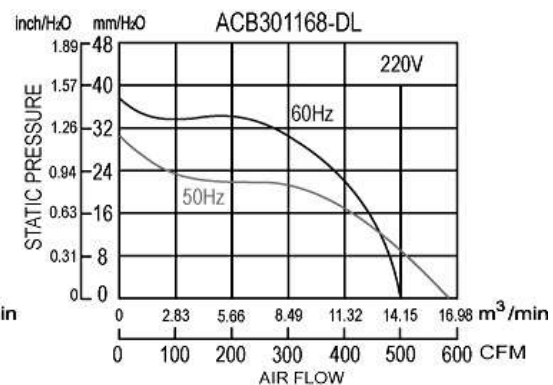
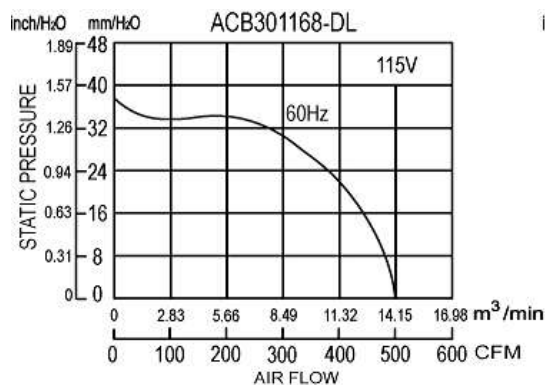
WIRING DIAGRAM



SPECIFICATION

MODEL NO.	RATED VOLTAGE (V)	FREQUENCY (Hz)	RATED CURRENT (A)	INPUT POWER (W)	SPEED (RPM)	MAX. AIR PRESSURE		MAX. AIR FLOW		NOISE dB(A) @1M
						inch/H ₂ O	mm/H ₂ O	CFM	m ³ /min	
ACB301168V1H4P-DL	115	60	2.4	280	940	1.49	37.74	500.58	14.17	67
ACB301168V2H4P-DL	220	50/60	0.9/1.14	200/256	1220/1160	1.20/1.49	30.6/37.74	588.92/500.58	16.67/14.17	66/67

AIR PERFORMANCE



ACB 238180

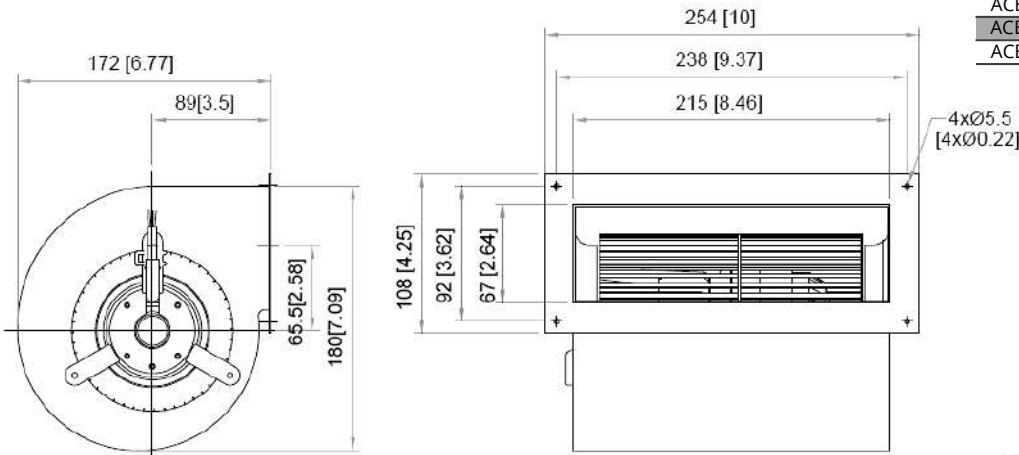
238X180mm, 2 poles&4 poles(9.37"x7.08")



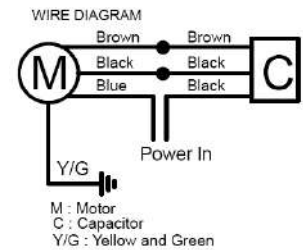
IMPELLER	Outer rotor motor Ø 92mm
BEARING	Steel Painted Black Scroll
INSULATION	Steel
TERMINATION	Ball
OPERATING TEMPERATURE	Class F
INSULATION RESISTANCE	0°C to + 65°C
DIELECTRIC STRENGTH	5mA Max. at 1500 VAC for 1 second
SAFETY	10M Ω min. @500 VDC
MOTOR TYPE	Thermally Protected
WEIGHT	4.2 Kg
ROHS COMPLIANCE	YES
IP LEVEL	IP44 (Special IP Rating On Request)

238mm

DIMENSION



MODEL NO.	CAPACITOR uF/Vac
ACB238180V1H2P	20/250
ACB238180V2H2P	5/50
ACB238180V1H4P	2/450

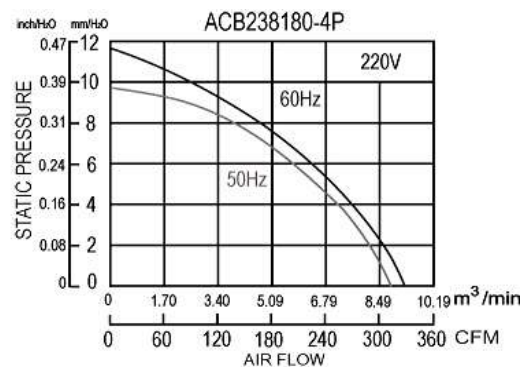
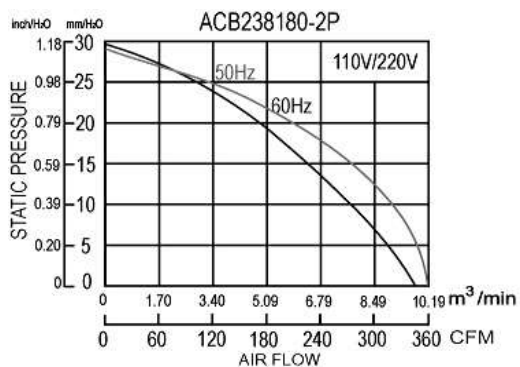


UNIT:mm[inch]

SPECIFICATION

MODEL NO.	RATED VOLTAGE (V)	FREQUENCY (Hz)	RATED CURRENT (A)	INPUT POWER (W)	SPEED (RPM)	MAX. AIR PRESSURE		MAX. AIR FLOW		NOISE dB(A) @1M
						inch/H2O	mm/H2O	CFM	m3/min	
ACB238180V1H2P	110	60	1.52	165	1290	1.16	29.58	341	9.67	56
ACB238180V2H2P	220	50/60	0.69/0.76	150/165	1440/1290	1.12/1.16	28.56/29.58	359/341	10.17/9.67	59/56
ACB238180V2H4P	220	50/60	0.30/0.37	65/80	1170/1200	0.38/0.46	9.69/11.73	315/324	8.29/9.17	55/56

AIR PERFORMANCE



DCF 13391

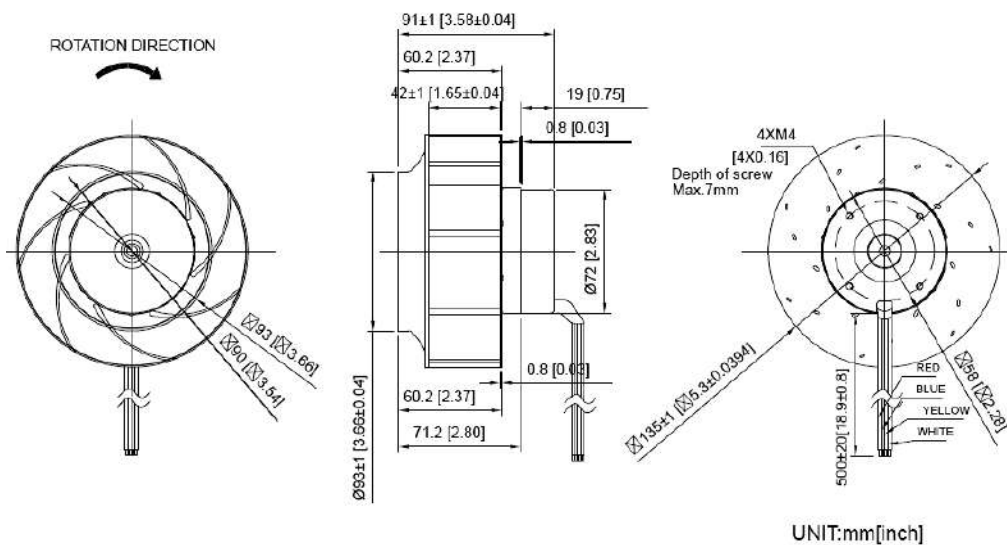
Ø133X91mm(Ø5.23"x3.58")



MOTOR Outer rotor motor Ø72mm
 IMPELLER Plastic Impeller, Metal Plate
 BEARING Ball
 TERMINATION Lead Wire
 OPERATING TEMPERATURE -20°C to + 60°C
 INSULATION RESISTANCE 10M Ω min. @500 VDC
 DIELECTRIC STRENGTH 5mA Max. at 500 VAC for 1 minute
 WEIGHT 740g
 ROHS COMPLIANCE Yes
 IP LEVEL IP21 (Special IP Rating On Request)

133 mm

DIMENSION



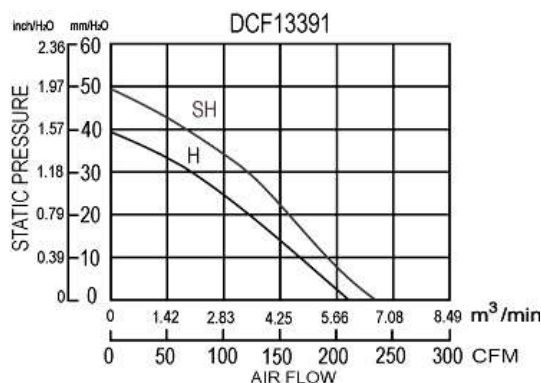
Wiring Diagram

Red — +VDC
 Blue — GND
 Yellow — 0-10V/PWM Speed Control
 White — Tachometer (FG)

SPECIFICATION

MODEL NO.	RATED VOLTAGE (V)	RATED CURRENT (A)	INPUT POWER (W)	SPEED (RPM)	MAX. AIR PRESSURE inch/H ₂ O mm/H ₂ O	MAX. AIR FLOW CFM m ³ /min	NOISE dB(A) @1M
DCF13391V24H	24	1.6	38.4	4000	1.55 39.39	210.6 5.71	65
DCF13391V48SH	48	1.3	62.4	4500	1.97 49.92	230.8 6.53	68
DCF13391V48H	48	0.8	38.3	4000	1.55 39.39	210.6 5.71	65

AIR PERFORMANCE



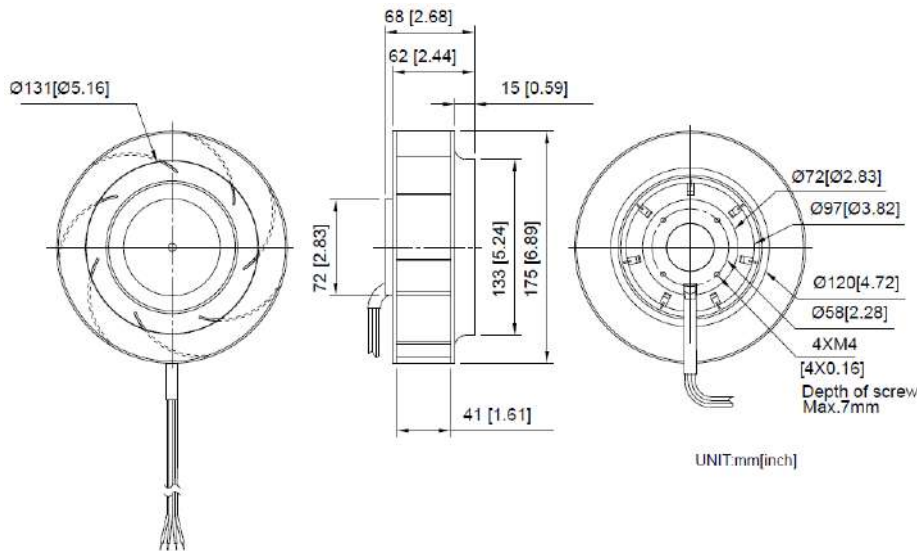
DCF 17568 $\phi 175 \times 68 \text{mm} (\phi 6.85" \times 2.66")$



MOTOR Outer rotor motor $\phi 72 \text{mm}$
 IMPELLER Plastic Impeller, Metal Plate
 BEARING Ball
 OPERATING TEMPERATURE -20°C to $+60^{\circ}\text{C}$
 INSULATION RESISTANCE $10 \text{M } \Omega$ min. @500 VDC
 DIELECTRIC STRENGTH 5mA Max. at 500 VAC for 1 minute
 WEIGHT 790g
 ROHS COMPLIANCE Yes
 IP LEVEL IP21 (Special IP Rating On Request)

175 mm

DIMENSION



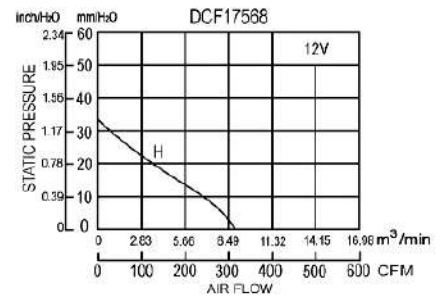
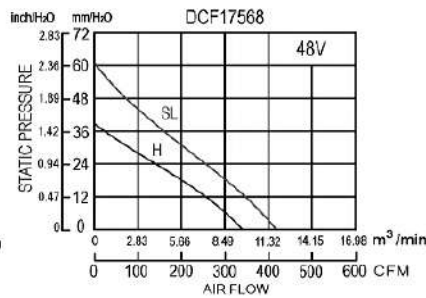
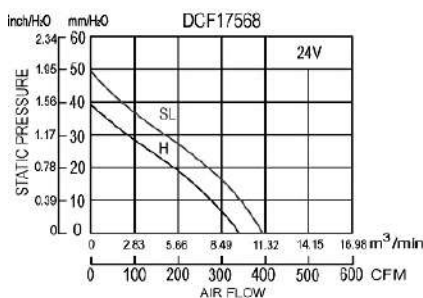
Wiring Diagram

Red — +VDC
 Blue — GND
 Yellow — 0-10V/PWM Speed Control
 White — Tachometer (FG)

SPECIFICATION

MODEL NO.	RATED VOLTAGE (V)	RATED CURRENT (A)	INPUT POWER (W)	SPEED (RPM)	MAX. AIR PRESSURE		MAX. AIR FLOW		NOISE dB(A) @1M
					inch/H ₂ O	mm/H ₂ O	CFM	m ³ /min	
DCF17568V12HB	12	2.8	33.6	3000	1.31	33.17	308	8.72	62
DCF17568V24SLB	24	3	72	3800	1.93	49.04	399	11.29	70.5
DCF17568V24HB	24	2.3	55.2	3300	1.56	39.56	339	9.6	64
DCF17568V48SLB	48	2.3	110.4	4200	2.37	60.26	409	11.59	81
DCF17568V48HB	48	1.2	57.6	3300	1.56	39.56	339	9.6	64

AIR PERFORMANCE



DCF 17568-PB

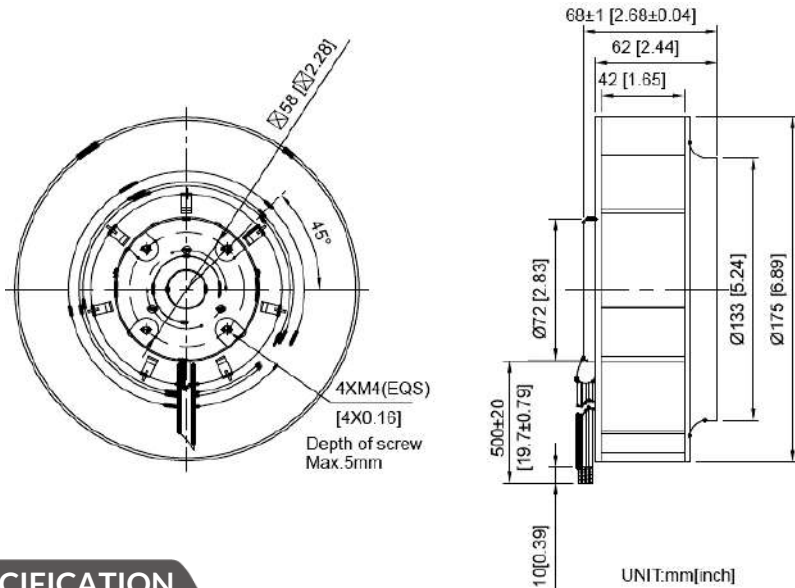
Ø175X68mm(Ø6.85"x2.68")



MOTOR Outer rotor motor Ø72mm
 IMPELLER Plastic Impeller
 BEARING Ball
 TERMINATION Lead Wire
 OPERATING TEMPERATURE -20°C to + 60°C
 INSULATION RESISTANCE 10M Ω min. @500 VDC
 DIELECTRIC STRENGTH 5mA Max. at 500 VAC for 1 minute
 WEIGHT 780g
 ROHS COMPLIANCE Yes
 IP LEVEL IP21 (Special IP Rating On Request)

175 mm

DIMENSION



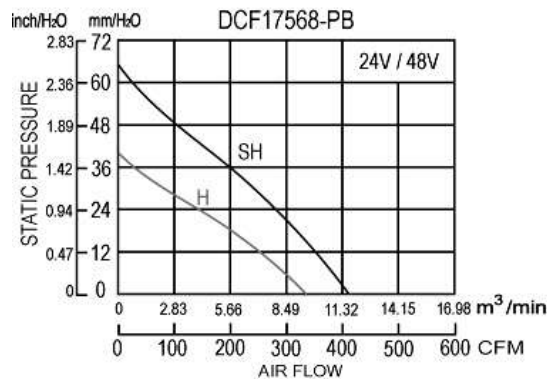
Wiring Diagram

Red — +VDC
 Blue — GND
 Yellow — 0-10V/PWM Speed Control
 White — Tachometer (FG)

SPECIFICATION

MODEL NO.	RATED VOLTAGE (V)	RATED CURRENT (A)	INPUT POWER (W)	SPEED (RPM)	MAX. AIR PRESSURE		MAX. AIR FLOW		NOISE dB(A) @1M
					inch/H ₂ O	mm/H ₂ O	CFM	m ³ /min	
DCF17568V24SH-PB	24	3.5	75	3900	2.56	65.02	409	11.57	72
DCF17568V24H-PB	24	1.4	34	3100	1.58	40.13	333	9.42	65
DCF17568V48SH-PB	48	1.8	75	3900	2.56	65.02	409	11.57	72
DCF17568V48H-PB	48	0.7	34	3100	1.58	40.13	333	9.42	65

AIR PERFORMANCE



DCF 17569-B



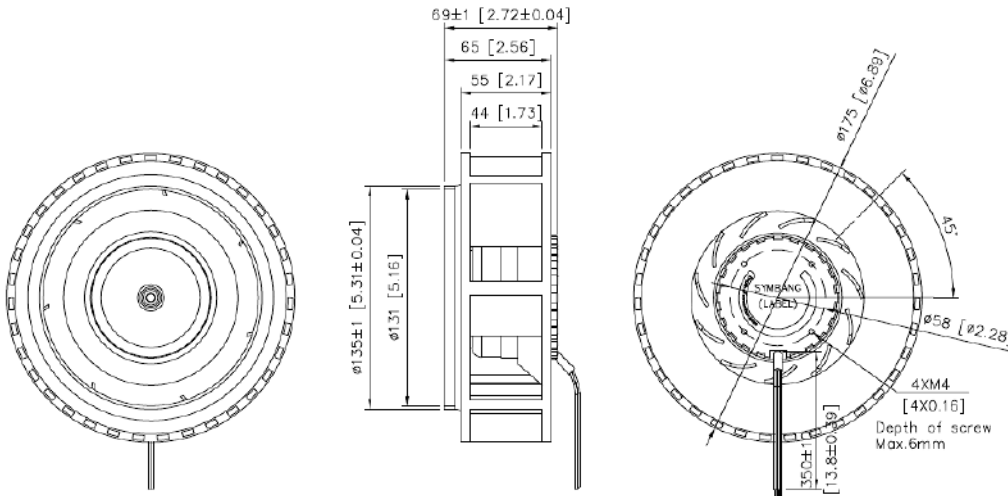
Ø175X69mm(Ø6.89"x2.72")



MOTOR	Outer rotor motor Ø72mm
IMPELLER	Plastic Impeller, Metal Plate
BEARING	Ball
OPERATING TEMPERATURE	-25°C to + 65°C
INSULATION RESISTANCE	10M Ω min. @500 VDC
DIELECTRIC STRENGTH	5mA Max. at 500 VAC for 1 minute
WEIGHT	800g
ROHS COMPLIANCE	Yes
IP LEVEL	IP21 (Special IP Rating On Request)

175mm

DIMENSION



Wiring Diagram

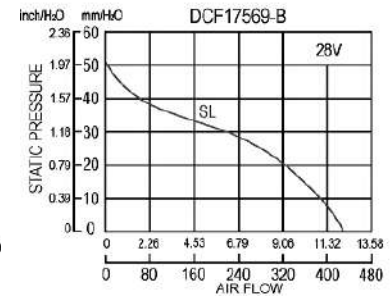
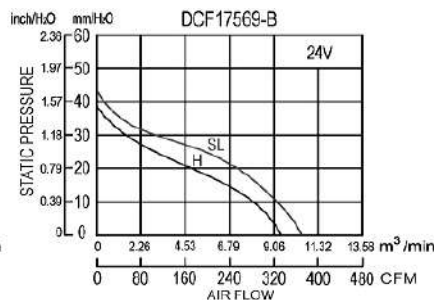
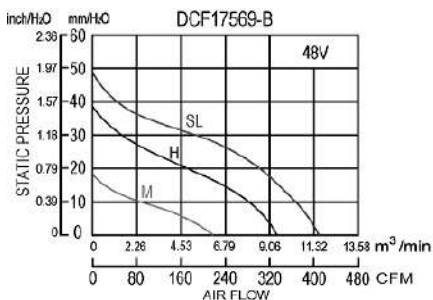
Red — +VDC
 Black — GND
 Blue — PWM Speed Control
 Yellow — Tachometer (FG)

SPECIFICATION

UNIT: mm[inch]

MODEL NO.	RATED VOLTAGE (V)	RATED CURRENT (A)	INPUT POWER (W)	SPEED (RPM)	MAX. AIR PRESSURE		MAX. AIR FLOW		NOISE dB(A) @1M
					inch/H ₂ O	mm/H ₂ O	CFM	m ³ /min	
DCF17569V24SLB-B	24	3	72	3800	1.72	43.7	369	10.44	71
DCF17569V24H-B	24	2	48	3300	1.5	38.1	330	9.34	64
DCF17569V28SLB-B	28	4	112	4400	1.99	50.7	428	12.11	85
DCF17569V48SLB-B	48	2.3	110.4	4200	1.9	48.4	408	11.54	81
DCF17569V48HB-B	48	1.2	57.6	3300	1.5	38.1	330	9.33	64
DCF17569V48MB-B	48	0.55	26.4	2500	0.71	18.1	215	6.08	60

AIR PERFORMANCE



DCF 19068-LD

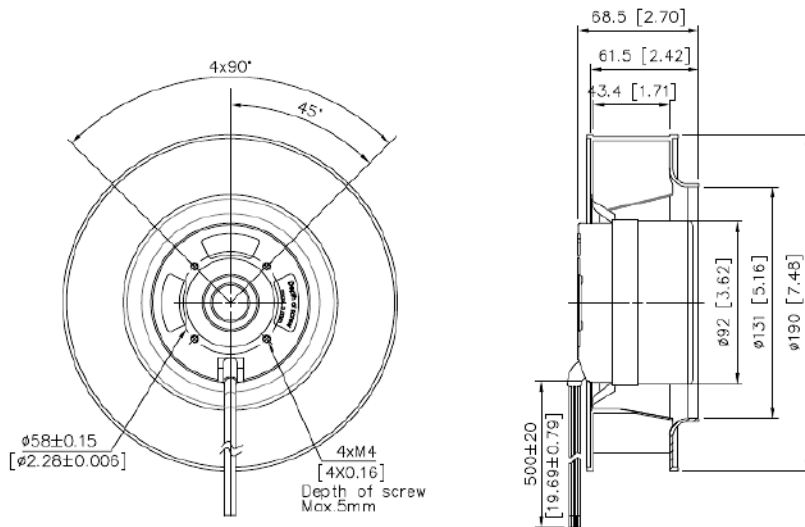
Ø190X68mm(Ø7.48"x2.66")



IMPELLER	Plastic Impeller, Metal Plate
BEARING	Ball
INSULATION	Class F
OPERATING TEMPERATURE	-25°C to + 60°C
TERMINATION	Lead Wire
DIELECTRIC STRENGTH	5mA Max. at 500 VAC for 1 minute
INSULATION RESISTANCE	10M Ω min. @500 VDC
WEIGHT	1.35 Kgs
ROHS COMPLIANCE	Yes
IP LEVEL	IP44 (Special IP Rating On Request)

190mm

DIMENSION



Wiring Diagram

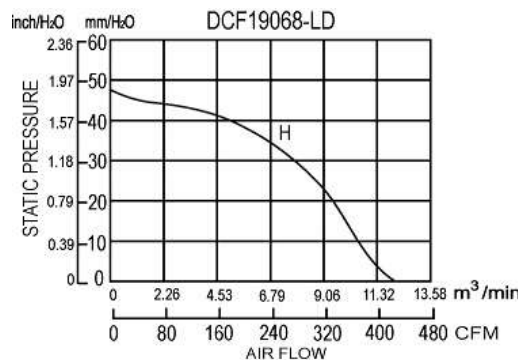
Red — +VDC
 Blue — GND
 Yellow — 0-10V/PWM Speed Control
 White — Tachometer (FG)

UNIT: mm[inch]

SPECIFICATION

MODEL NO.	RATED VOLTAGE (V)	RATED CURRENT (A)	INPUT POWER (W)	SPEED (RPM)	MAX. AIR PRESSURE		MAX. AIR FLOW		NOISE dB(A) @1M
					inch/H2O	mm/H2O	CFM	m3/min	
DCF19068V24HB-LD	24	3.30	76	3200	1.93	48.96	427	12.09	70
DCF19068V48HB-LD	48	1.70	76	3200	1.93	48.96	427	12.09	70

AIR PERFORMANCE



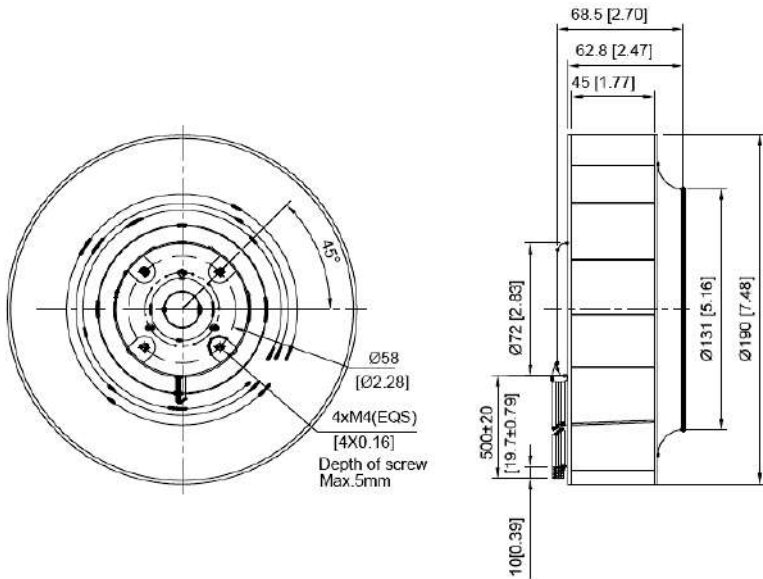
DCF 19068-PB $\varnothing 190 \times 68 \text{mm} (\varnothing 7.48" \times 2.66")$



IMPELLER Outer rotor motor $\varnothing 72 \text{mm}$
 BEARING Plastic Impeller
 INSULATION Ball
 OPERATING TEMPERATURE Lead Wire
 TERMINATION -20°C to $+60^{\circ}\text{C}$
 DIELECTRIC STRENGTH $10 \text{M } \Omega$ min. @500 VDC
 INSULATION RESISTANCE 5mA Max. at 500 VAC for 1 minute
 WEIGHT 1.37 kg
 ROHS COMPLIANCE Yes
 IP LEVEL IP21 (Special IP Rating On Request)

190 mm

DIMENSION



Wiring Diagram

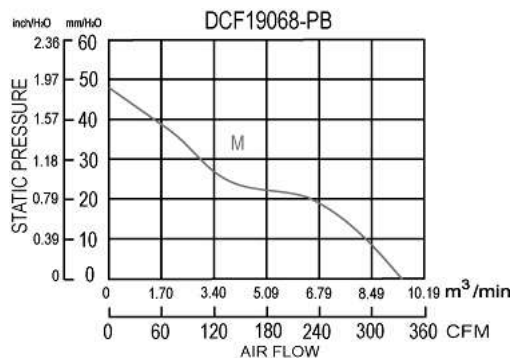
Red — +VDC
 Blue — GND
 Yellow — 0-10V/PWM Speed Control
 White — Tachometer (FG)

SPECIFICATION

UNIT:mm[inch]

MODEL NO.	RATED VOLTAGE (V)	RATED CURRENT (A)	INPUT POWER (W)	SPEED (RPM)	MAX. AIR PRESSURE		MAX. AIR FLOW		NOISE dB(A) @1M
					inch/H ₂ O	mm/H ₂ O	CFM	m ³ /min	
DCF19068V24M-PB	24	2.13	51	2950	1.9	48.26	333	9.42	68
DCF19068V48M-PB	48	1.06	51	2950	1.9	48.26	333	9.42	68

AIR PERFORMANCE



DCF 20080

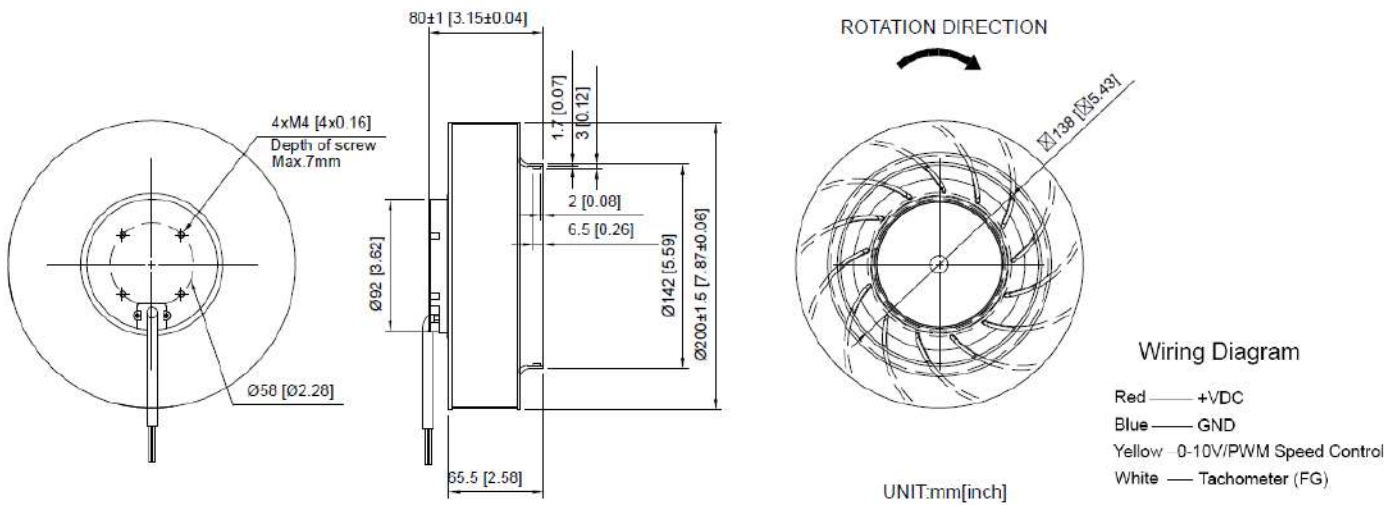
Ø200X80mm(Ø7.86"x3.14")



MOTOR	Outer rotor motor Ø92mm
IMPELLER	Plastic Impeller, Metal Plate
BEARING	Ball
OPERATING TEMPERATURE	-20°C to + 60°C
INSULATION RESISTANCE	10M Ω min. @500 VDC
DIELECTRIC STRENGTH	5mA Max. at 500 VAC for 1 minute
WEIGHT	1.86 Kg
ROHS COMPLIANCE	Yes
IP LEVEL	IP21 (Special IP Rating On Request)

200mm

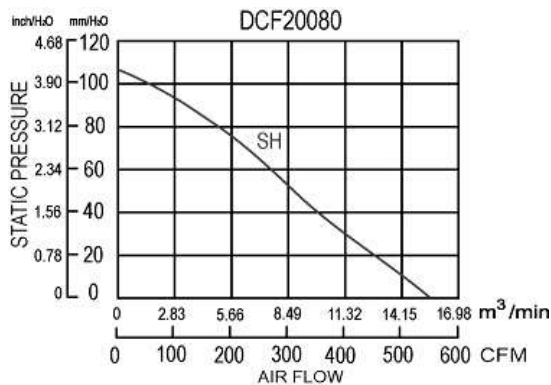
DIMENSION



SPECIFICATION

MODEL NO.	RATED VOLTAGE (V)	RATED CURRENT (A)	INPUT POWER (W)	SPEED (RPM)	MAX. AIR PRESSURE		MAX. AIR FLOW		NOISE dB(A) @1M
					inch/H2O	mm/H2O	CFM	m3/min	
DCF20080V24SH	24	10.4	249.6	4300	4.18	106.28	550.7	15.58	80
DCF20080V28SH	28	8.6	240.8	4300	4.18	106.28	550.7	15.58	80
DCF20080V48SH	48	5.2	249.6	4300	4.18	106.28	550.7	15.58	80

AIR PERFORMANCE



DCF 22071

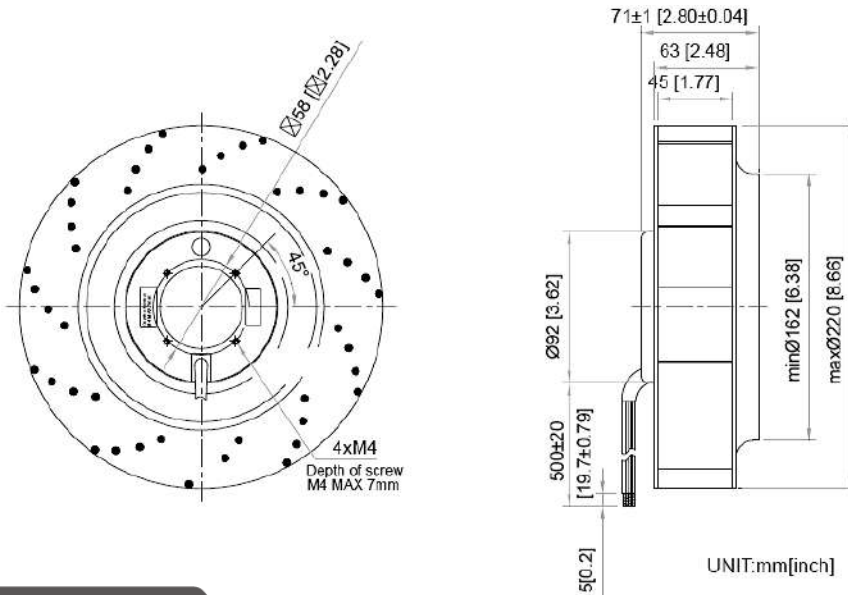
Ø220X71mm(Ø8.64"x2.79")



MOTOR	Outer rotor motor Ø92mm
IMPELLER	Plastic Impeller, Metal Plate
BEARING	Ball
OPERATING TEMPERATURE	-20°C to + 60°C
INSULATION RESISTANCE	10M Ω min. @500 VDC
DIELECTRIC STRENGTH	5mA Max. at 500 VAC for 1 minute
WEIGHT	1.4 Kg
ROHS COMPLIANCE	Yes
IP LEVEL	IP21 (Special IP Rating On Request)

220mm

DIMENSION



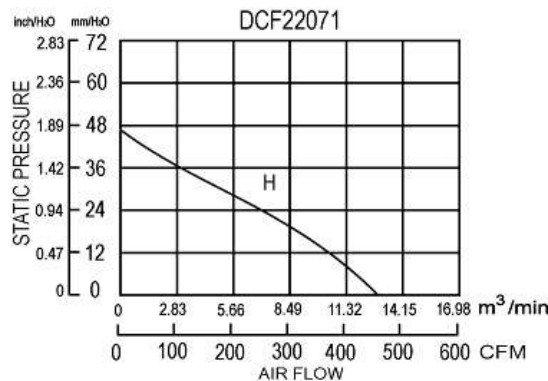
Wiring Diagram

Red — +VDC
 Blue — GND
 Yellow 0-10V/PWM Speed Control
 White — Tachometer (FG)

SPECIFICATION

MODEL NO.	RATED VOLTAGE (V)	RATED CURRENT (A)	INPUT POWER (W)	SPEED (RPM)	MAX. AIR PRESSURE		MAX. AIR FLOW		NOISE dB(A) @1M
					inch/H2O	mm/H2O	CFM	m3/min	
DCF22071V24H	24	4	96	2800	1.81	45.9	450.7	12.76	65
DCF22071V48H	48	2	96	2800	1.81	45.9	450.7	12.76	65

AIR PERFORMANCE



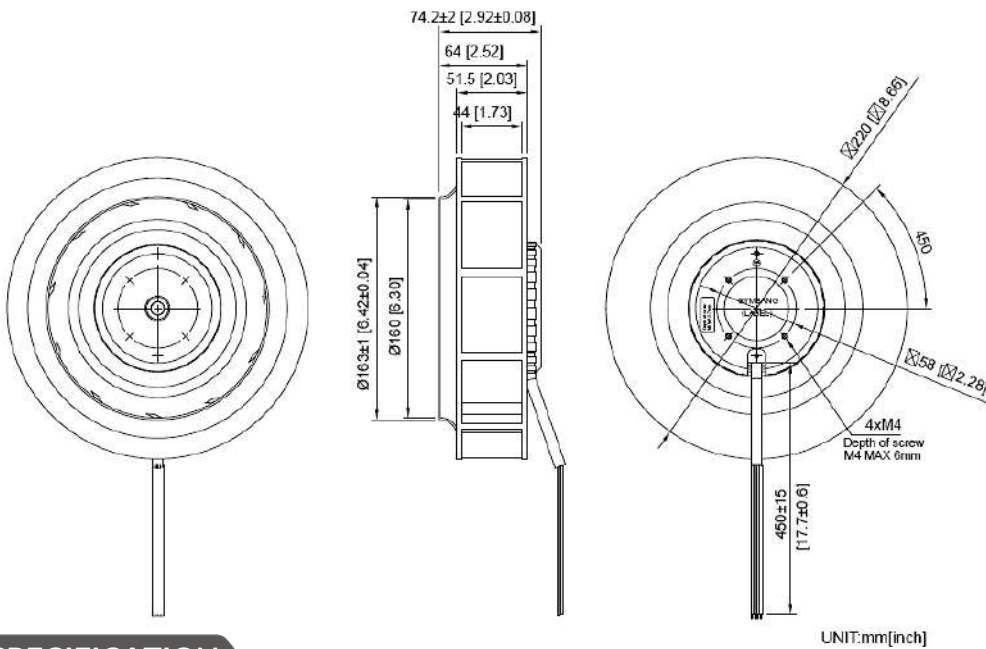
DCF 22074-B $\varnothing 220 \times 74 \text{mm} (\varnothing 8.66" \times 2.92")$



MOTOR Outer rotor motor $\varnothing 92 \text{mm}$
IMPELLER Plastic Impeller, Metal Plate
BEARING Ball
OPERATING TEMPERATURE -25°C to $+65^{\circ}\text{C}$
INSULATION RESISTANCE $10 \text{M } \Omega$ min. @500 VDC
DIELECTRIC STRENGTH 5mA Max. at 500 VAC for 1 minute
WEIGHT 1.5 Kg
ROHS COMPLIANCE Yes
IP LEVEL IP21 (Special IP Rating On Request)

220mm

DIMENSION



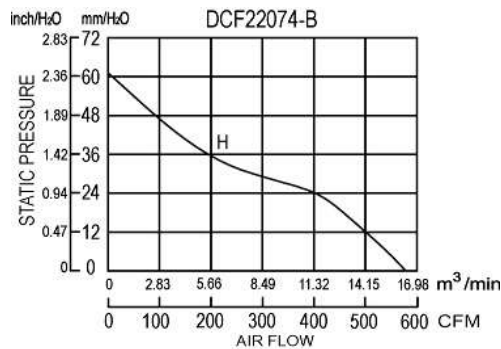
Wiring Diagram

Red — +VDC
 Black — GND
 Blue — PWM Speed Control
 Yellow — Tachometer (FG)

SPECIFICATION

MODEL NO.	RATED VOLTAGE (V)	RATED CURRENT (A)	INPUT POWER (W)	SPEED (RPM)	MAX. AIR PRESSURE		MAX. AIR FLOW		NOISE dB(A) @1M
					inch/H ₂ O	mm/H ₂ O	CFM	m ³ /min	
DCF22074V24HB-B	24	3.3	79.2	2800	2.41	61.2	573	16.22	65
DCF22074V48HB-B	48	2.3	110.4	2800	2.41	61.2	573	16.22	65

AIR PERFORMANCE



DCF 22599

Ø225X99mm(Ø8.84"x3.89")

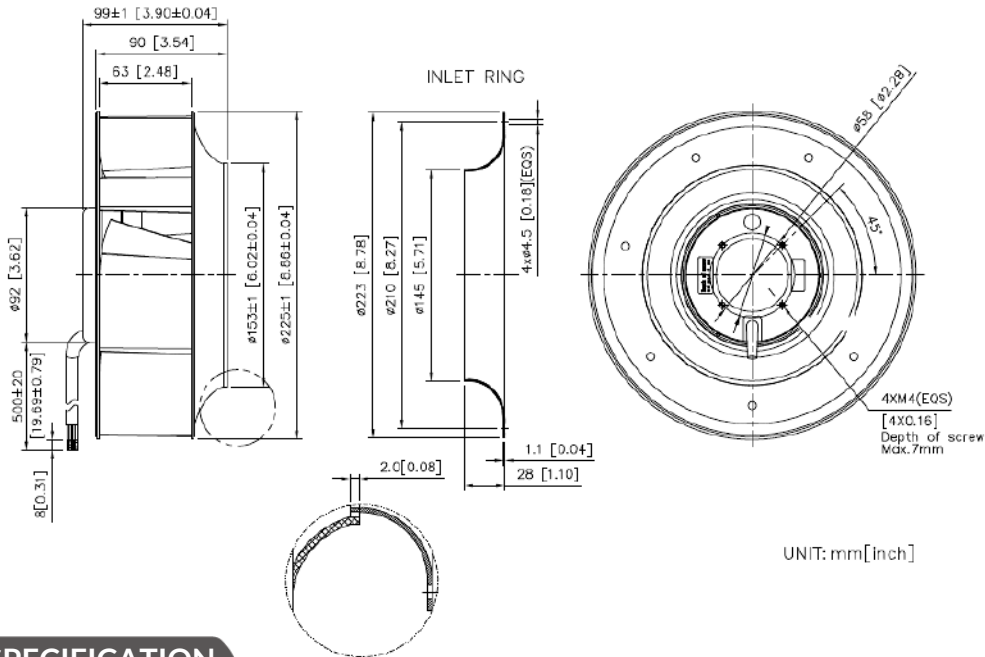


MOTOR
IMPELLER
BEARING
OPERATING TEMPERATURE
INSULATION RESISTANCE
DIELECTRIC STRENGTH
WEIGHT
ROHS COMPLIANCE
IP LEVEL

Outer rotor motor Ø92mm
Plastic Impeller, Metal Plate
Ball
-20°C to + 60°C
10M Ω min. @500 VDC
5mA Max. at 500 VAC for 1 minute
1.81 Kg
Yes
IP21 (Special IP Rating On Request)

225 mm

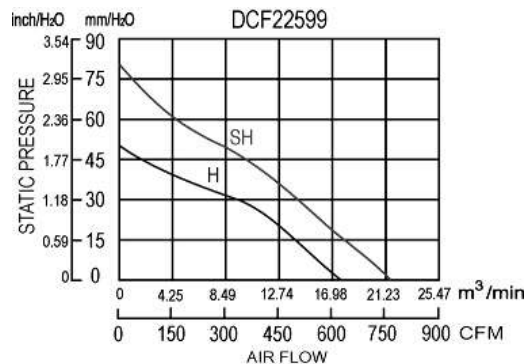
DIMENSION



SPECIFICATION

MODEL NO.	RATED VOLTAGE (V)	RATED CURRENT (A)	INPUT POWER (W)	SPEED (RPM)	MAX. AIR PRESSURE inch/H ₂ O mm/H ₂ O	MAX. AIR FLOW CFM m ³ /min	NOISE dB(A) @1M
DCF22599V24H	24	4.5	108	2500	2.02 51.3	617 17.46	68
DCF22599V48SH	48	4	192	3100	3.22 81.9	757 21.42	76
DCF22599V48H	48	2.3	110.4	2500	2.02 51.3	617 17.46	68

AIR PERFORMANCE



DCF 250104-PB

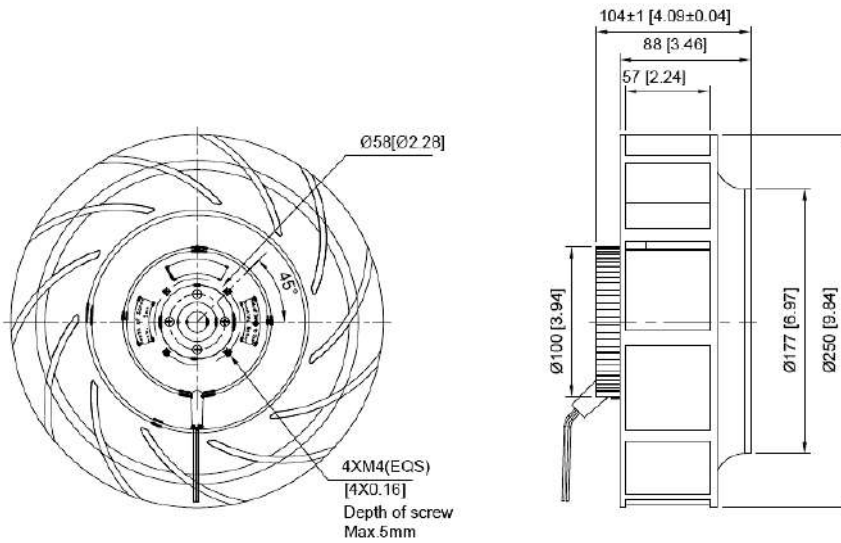
CE
 Ø250X104mm(Ø9.84"x4.09")



- MOTOR: Outer rotor motor Ø92mm
- IMPELLER: Plastic Impeller
- BEARING: Ball
- TERMINATION: Lead Wire
- OPERATING TEMPERATURE: -20°C to + 60°C
- INSULATION RESISTANCE: 10M Ω min. @500 VDC
- DIELECTRIC STRENGTH: 5mA Max. at 500 VAC for 1 minute
- WEIGHT: 1.5 Kg
- ROHS COMPLIANCE: Yes
- IP LEVEL: IP21 (Special IP Rating On Request)

250mm

DIMENSION



Wiring Diagram

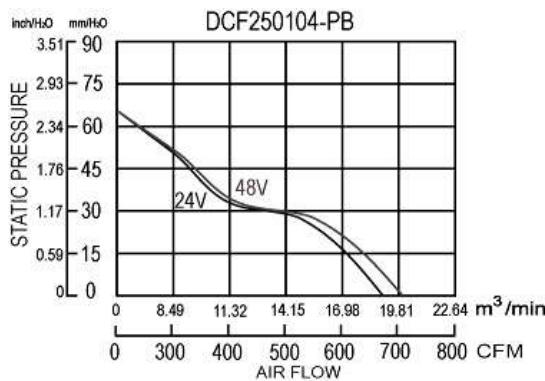
- Red — +VDC
- Blue — GND
- Yellow — 0-10V/PWM Speed Control
- White — Tachometer (FG)

SPECIFICATION

UNIT:mm[inch]

MODEL NO.	RATED VOLTAGE (V)	RATED CURRENT (A)	INPUT POWER (W)	SPEED (RPM)	MAX. AIR PRESSURE		MAX. AIR FLOW		NOISE dB(A) @1M
					inch/H2O	mm/H2O	CFM	m ³ /min	
DCF250104V24H-PB	24	4.2	101	2540	2.53	64.26	671	18.99	73
DCF250104V48H-PB	48	2.19	105	2600	2.53	64.26	706	18.99	72

AIR PERFORMANCE



DCF 250110

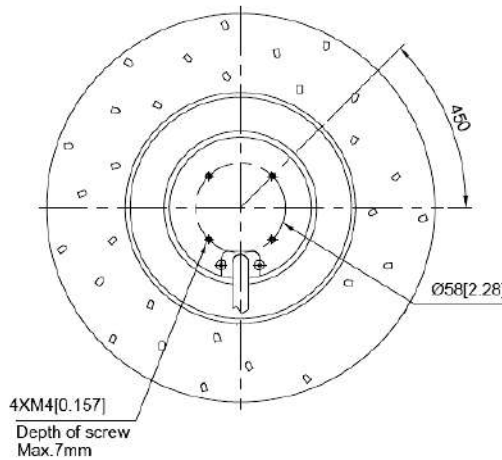
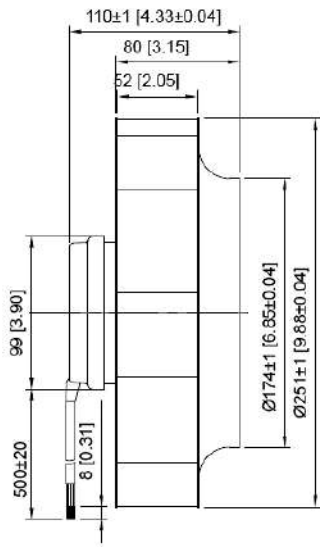
Ø250X110mm(Ø9.84"x4.3")



MOTOR	Outer rotor motor Ø92mm
IMPELLER	Metal
BEARING	Ball
OPERATING TEMPERATURE	-20°C to + 60°C
INSULATION RESISTANCE	10M Ω min. @500 VDC
DIELECTRIC STRENGTH	5mA Max. at 500 VAC for 1 minute
WEIGHT	2.25 Kg
ROHS COMPLIANCE	Yes
IP LEVEL	IP21 (Special IP Rating On Request)

250_{mm}

DIMENSION



Wiring Diagram

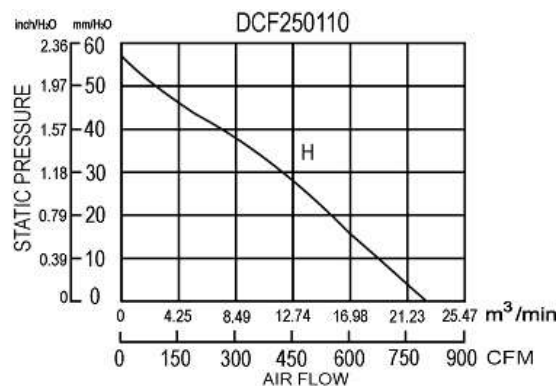
Red — +VDC
 Blue — GND
 Yellow — 0-10V/PWM Speed Control
 White — Tachometer (FG)

UNIT:mm[inch]

SPECIFICATION

MODEL NO.	RATED VOLTAGE (V)	RATED CURRENT (A)	INPUT POWER (W)	SPEED (RPM)	MAX. AIR PRESSURE		MAX. AIR FLOW		NOISE dB(A) @1M
					inch/H ₂ O	mm/H ₂ O	CFM	m ³ /min	
DCF250110V24HB	24	5.4	129.6	2600	2.22	56.46	790.4	22.36	70
DCF250110V48HB	48	2.7	129.6	2600	2.22	56.46	790.4	22.36	70

AIR PERFORMANCE



DCF 280135

Ø280X135mm(Ø11.02"x5.31")

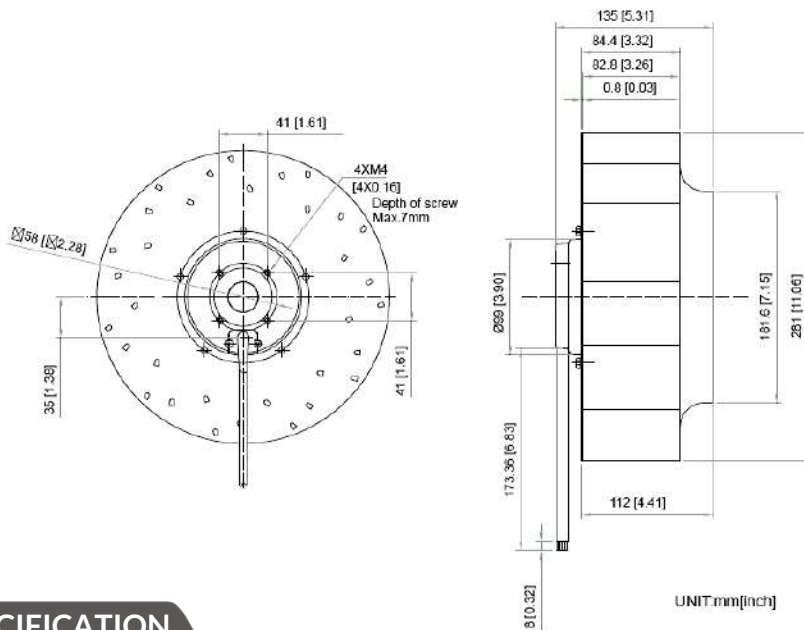


MOTOR
IMPELLER
BEARING
OPERATING TEMPERATURE
INSULATION RESISTANCE
DIELECTRIC STRENGTH
WEIGHT
ROHS COMPLIANCE
IP LEVEL

Outer rotor motor Ø92mm
Metal
Ball
-20°C to + 60°C
10M Ω min. @500 VDC
5mA Max. at 500 VAC for 1 minute
3.30 Kg
Yes
IP21 (Special IP Rating On Request)

280mm

DIMENSION



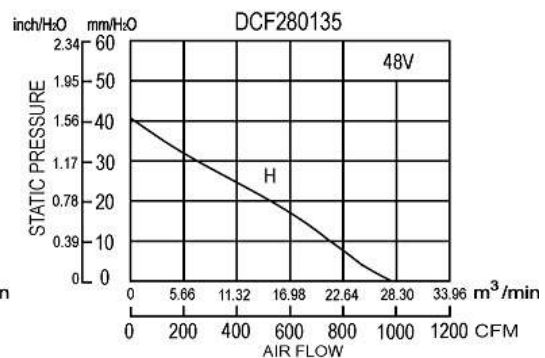
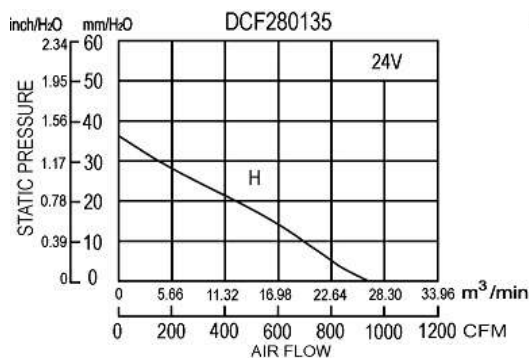
Wiring Diagram

Red — +VDC
Blue — GND
Yellow — 0-10V/PWM Speed Control
White — Tachometer (FG)

SPECIFICATION

MODEL NO.	RATED VOLTAGE (V)	RATED CURRENT (A)	INPUT POWER (W)	SPEED (RPM)	MAX. AIR PRESSURE		MAX. AIR FLOW		NOISE dB(A) @1M
					inch/H ₂ O	mm/H ₂ O	CFM	m ³ /min	
DCF280135V24HB	24	3.70	88.80	1700	1.45	36.73	929	26.30	72
DCF280135V48HB	48	2.4	115.2	1700	1.59	40.5	990	28.05	72

AIR PERFORMANCE



DCF 280135-PB



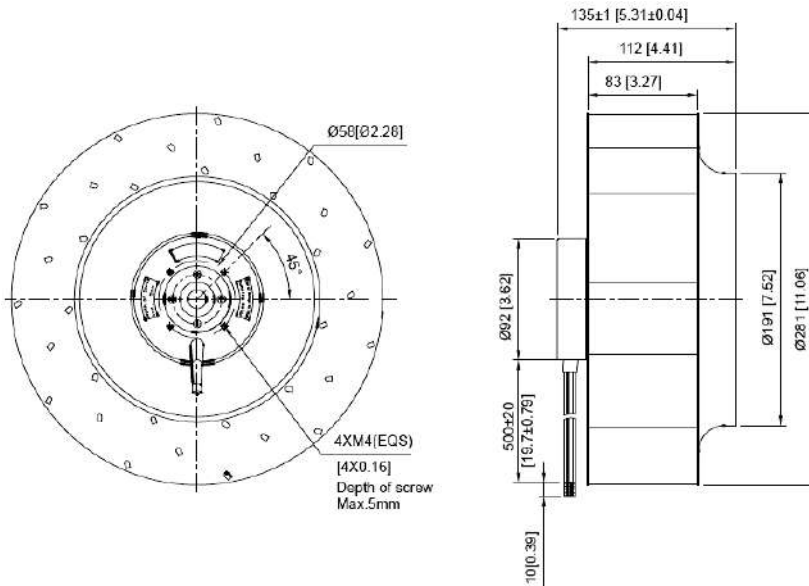
Ø280X135mm(Ø11.02"x5.31")



MOTOR	Outer rotor motor Ø92mm
IMPELLER	Metal
BEARING	Ball
OPERATING TEMPERATURE	-20°C to + 60°C
INSULATION RESISTANCE	10M Ω min. @500 VDC
DIELECTRIC STRENGTH	5mA Max. at 500 VAC for 1 minute
WEIGHT	3.3 Kg
ROHS COMPLIANCE	Yes
IP LEVEL	IP21 (Special IP Rating On Request)

280mm

DIMENSION



Wiring Diagram

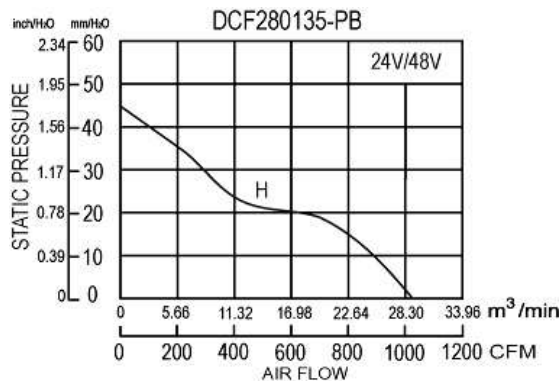
Red — +VDC
 Blue — GND
 Yellow — 0-10V/PWM Speed Control
 White — Tachometer (FG)

SPECIFICATION

UNIT:mm[inch]

MODEL NO.	RATED VOLTAGE (V)	RATED CURRENT (A)	INPUT POWER (W)	SPEED (RPM)	MAX. AIR PRESSURE		MAX. AIR FLOW		NOISE dB(A) @1M
					inch/H ₂ O	mm/H ₂ O	CFM	m ³ /min	
DCF280135V24H-PB	24	3.96	95	1700	1.77	44.96	1029	29.12	71
DCF280135V48H-PB	48	1.98	95	1700	1.77	44.96	1029	29.12	71

AIR PERFORMANCE



DCF 316150-PB

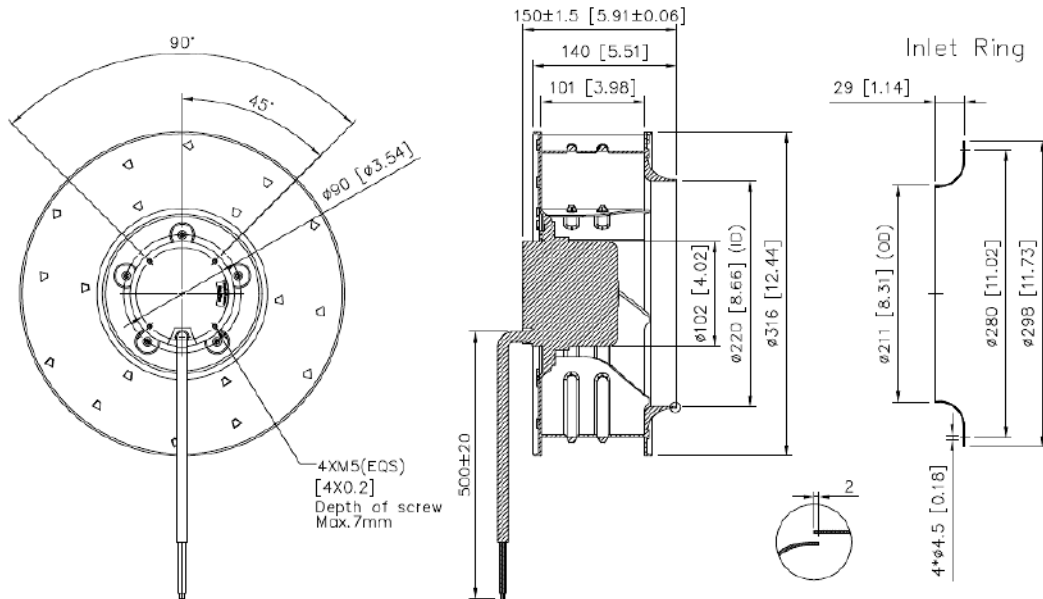
CE $\phi 316 \times 150 \text{mm} (\phi 12.44" \times 5.91")$



- MOTOR Outer rotor motor $\phi 102 \text{mm}$
- IMPELLER Aluminum
- BEARING Ball
- TERMINATION Lead Wire
- OPERATING TEMPERATURE -20°C to $+60^{\circ}\text{C}$
- INSULATION RESISTANCE $10 \text{M } \Omega$ min. @500 VDC
- DIELECTRIC STRENGTH 5mA Max. at 500 VAC for 1 minute
- WEIGHT 4.2 Kg
- ROHS COMPLIANCE Yes
- IP LEVEL IP21 (Special IP Rating On Request)

316mm

DIMENSION

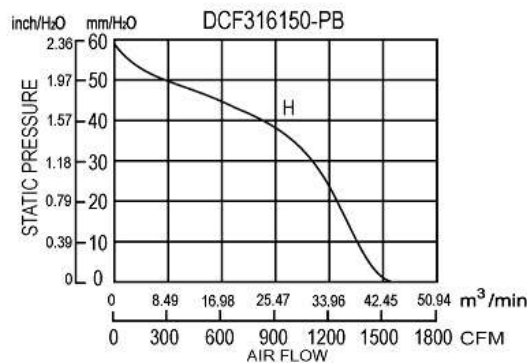


UNIT: mm[inch]

SPECIFICATION

MODEL NO.	RATED VOLTAGE (V)	RATED CURRENT (A)	INPUT POWER (W)	SPEED (RPM)	MAX. AIR PRESSURE		MAX. AIR FLOW		NOISE dB(A) @1M
					inch/H ₂ O	mm/H ₂ O	CFM	m ³ /min	
DCF316150V48H-PB	48	4.35	208	1930	2.33	59.18	1542	43.64	69

AIR PERFORMANCE



YTK CO.,LTD.

[Http://www.ytk-group.co.jp](http://www.ytk-group.co.jp)

DCF 318120-B

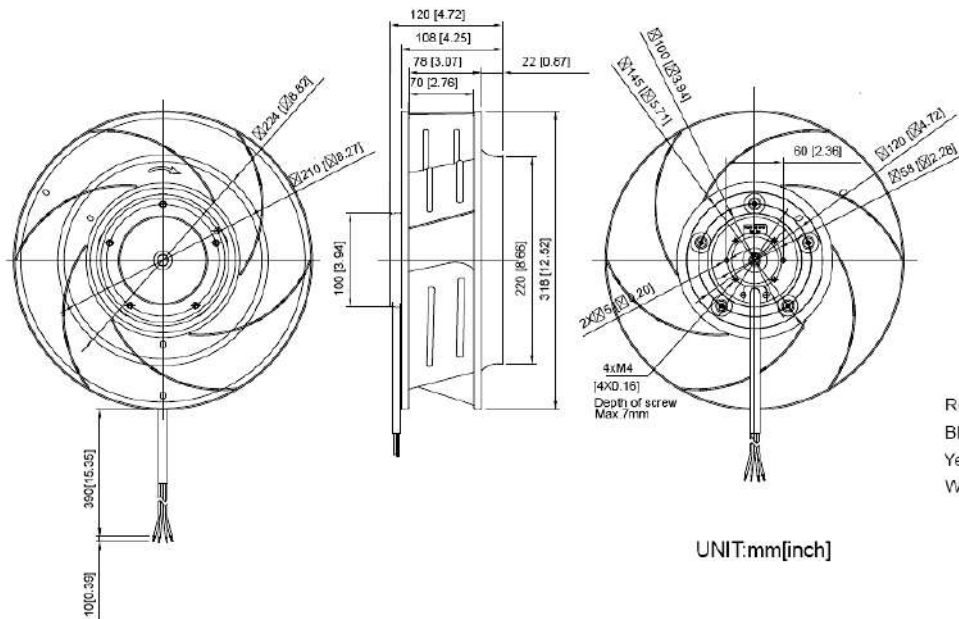
ø318X120mm(ø12.52"x4.72") **CE**



MOTOR	Outer rotor motor Ø92mm
IMPELLER	Metal
BEARING	Ball
OPERATING TEMPERATURE	-20°C to + 60°C
INSULATION RESISTANCE	10M Ω min. @500 VDC
DIELECTRIC STRENGTH	5mA Max. at 500 VAC for 1 minute
WEIGHT	2.36 Kg
ROHS COMPLIANCE	Yes
IP LEVEL	IP21 (Special IP Rating On Request)

318mm

DIMENSION



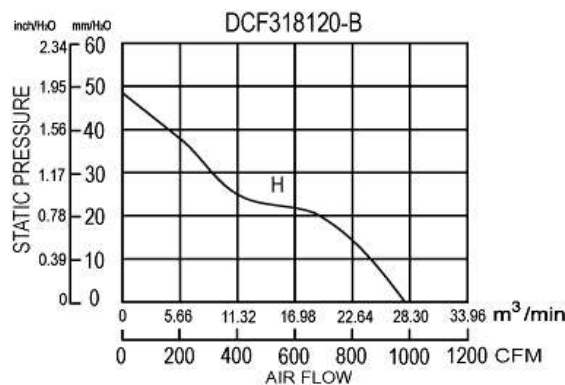
Wiring Diagram

Red — +VDC
 Blue — GND
 Yellow — 0-10V/PWM Speed Control
 White — Tachometer (FG)

SPECIFICATION

MODEL NO.	RATED VOLTAGE (V)	RATED CURRENT (A)	INPUT POWER (W)	SPEED (RPM)	MAX. AIR PRESSURE		MAX. AIR FLOW		NOISE dB(A) @1M
					inch/H ₂ O	mm/H ₂ O	CFM	m ³ /min	
DCF318120V48HB-B	48	2.5	120	1600	1.89	48.2	982.7	27.81	64

AIR PERFORMANCE



DCF 404157-PB

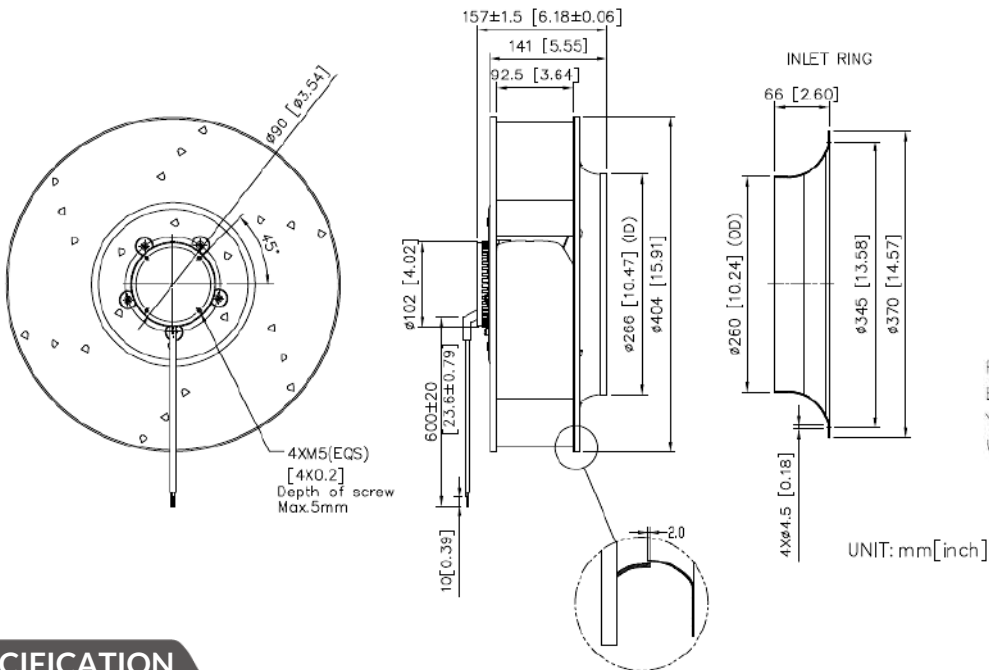
CE
 ø404X157mm(ø15.91"x6.18")



MOTOR Outer rotor motor Ø102mm
 IMPELLER Aluminum
 BEARING Ball
 TERMINATION Lead Wire
 OPERATING TEMPERATURE -25°C to + 60°C
 INSULATION RESISTANCE 10M Ω min. @500 VDC
 DIELECTRIC STRENGTH 5mA Max. at 500 VAC for 1 minute
 WEIGHT 4.9 Kg
 ROHS COMPLIANCE Yes
 IP LEVEL IP44 (Special IP Rating On Request)

404mm

DIMENSION



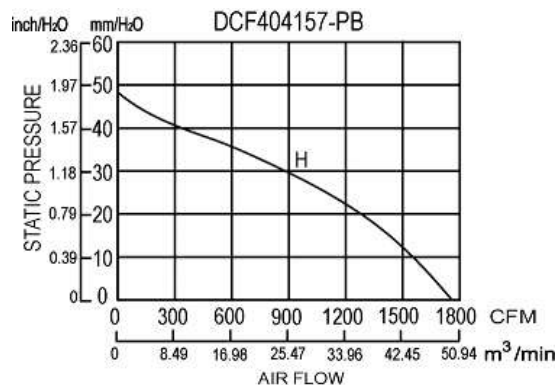
Wiring Diagram

Red — +VDC
 Blue — GND
 Yellow — 0-10V/PWM Speed Control
 White — Tachometer (FG)

SPECIFICATION

MODEL NO.	RATED VOLTAGE (V)	RATED CURRENT (A)	INPUT POWER (W)	SPEED (RPM)	MAX. AIR PRESSURE inch/H ₂ O mm/H ₂ O	MAX. AIR FLOW CFM m ³ /min	NOISE dB(A) @1M
DCF404157V48H-PB	48	4.2	202	1290	1.9 48.26	1766 49.98	65

AIR PERFORMANCE



DCB 141135

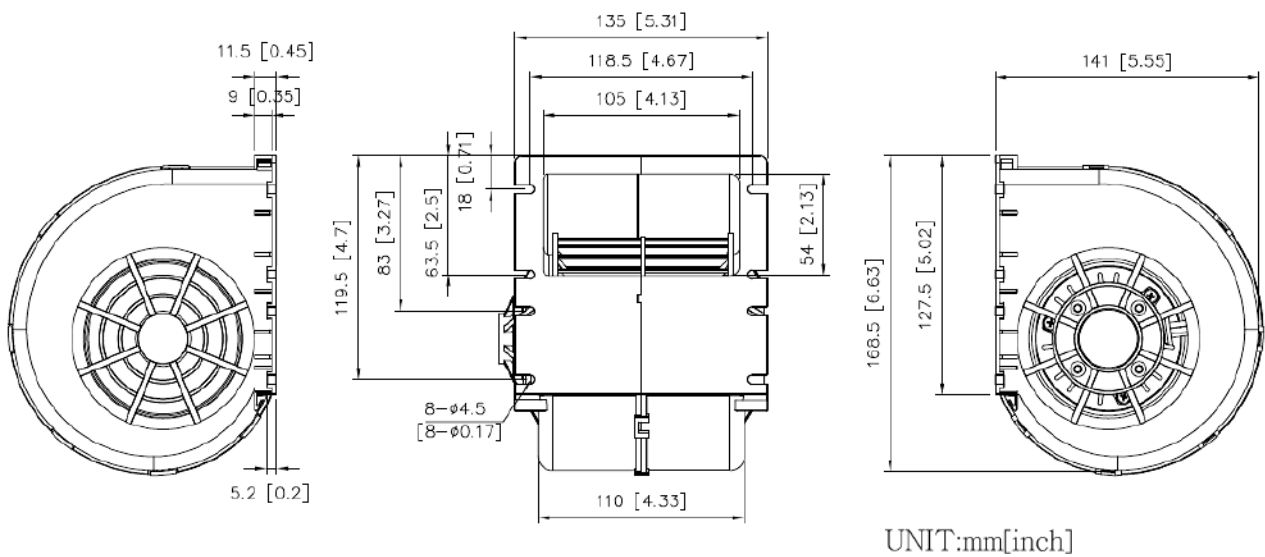
141X135X168mm(5.55"X5.31"X6.61")



HOUSING	Plastic
IMPELLER	Plastic
BEARING	Ball
INSULATION	Class A
OPERATING TEMPERATURE	-20°C to + 60°C
INSULATION RESISTANCE	10M Ω min. @500 VDC
DIELECTRIC STRENGTH	5mA Max. at 500 VAC for 1 minute
WEIGHT	1.5 Kg
ROHS COMPLIANCE	Yes
IP LEVEL	IP21 (Special IP Rating On Request)

141 mm

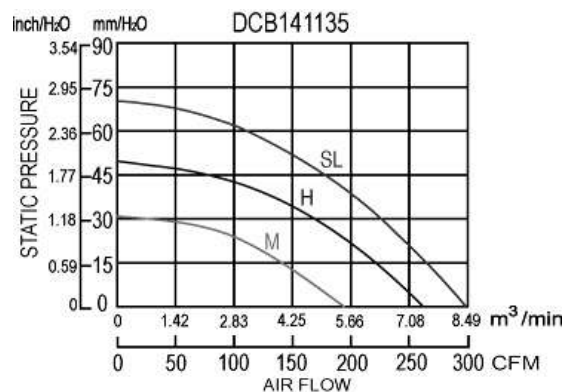
DIMENSION



SPECIFICATION

MODEL NO.	RATED VOLTAGE (V)	RATED CURRENT (A)	INPUT POWER (W)	SPEED (RPM)	MAX. AIR PRESSURE		MAX. AIR FLOW		NOISE dB(A) @1M
					inch/H ₂ O	mm/H ₂ O	CFM	m ³ /min	
DCB141135V12MB	12	7.1	85.2	2255	1.22	31	194	5.5	68
DCB141135V24SLB	24	6.9	165.6	3480	2.75	70	299	8.47	76
DCB141135V24HB	24	3.7	88.8	2780	1.97	50	261	7.4	72

AIR PERFORMANCE



DCB 225137

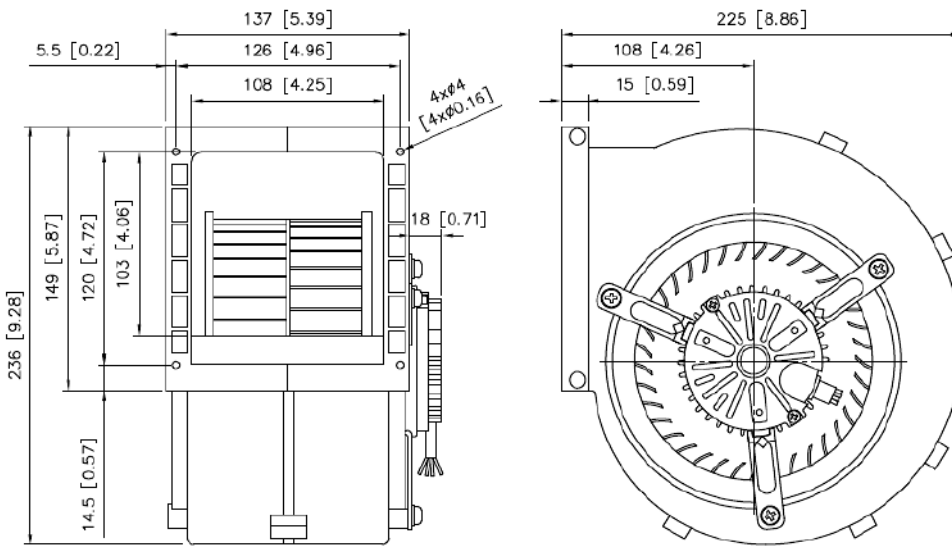
225X236X137mm(8.85"x9.29"x5.39")



HOUSING Nylon66+30%PVC
 IMPELLER Nylon66+30%Fiber
 BEARING Ball
 OPERATING TEMPERATURE -20°C to + 60°C
 INSULATION RESISTANCE 10M Ω min. @500 VDC
 DIELECTRIC STRENGTH 5mA Max. at 500 VAC for 1 minute
 WEIGHT 2.5 Kg
 ROHS COMPLIANCE Yes
 IP LEVEL IP21 (Special IP Rating On Request)

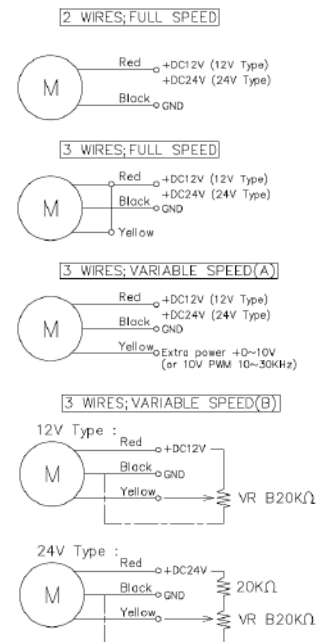
225 mm

DIMENSION



UNIT:mm[inch]

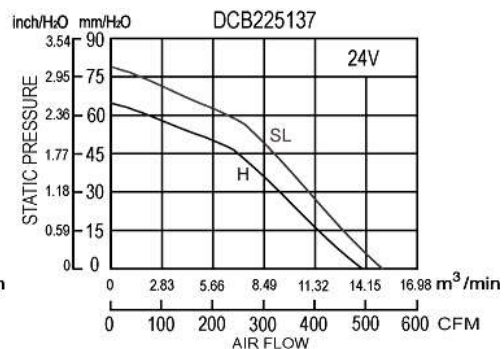
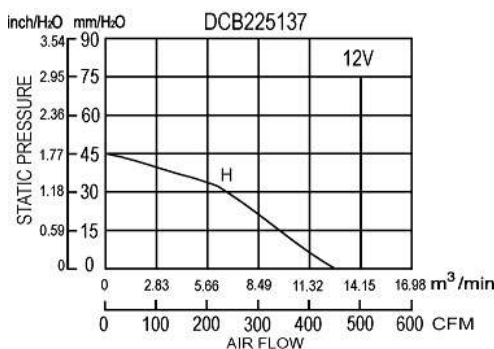
Wiring Diagram



SPECIFICATION

MODEL NO.	RATED VOLTAGE (V)	RATED CURRENT (A)	INPUT POWER (W)	SPEED (RPM)	MAX. AIR PRESSURE inch/H ₂ O mm/H ₂ O	MAX. AIR FLOW CFM m ³ /min	NOISE dB(A) @1M
DCB225137V12HB	12	13.5	162	2340	1.77 45	430 12.1	71
DCB225137V24SLB	24	13	312	2860	3.07 78	530 15	75
DCB225137V24HB	24	10	240	2680	2.56 65	495 14	73

AIR PERFORMANCE



DCB 351140

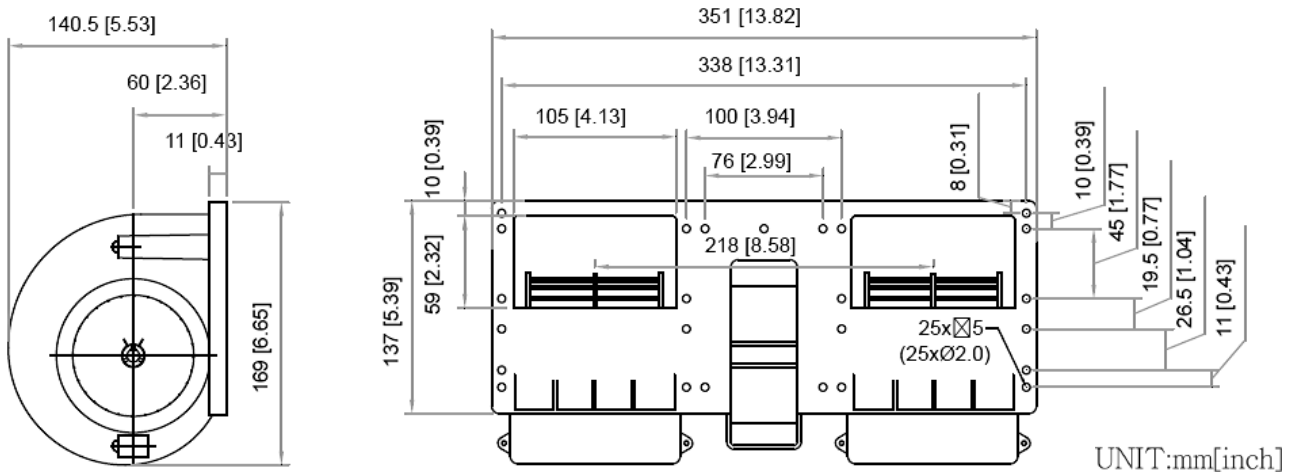
351X140X137mm(13.81"x5.51"x5.39")



HOUSING	Plastic
IMPELLER	Plastic
BEARING	Ball
INSULATION	Class A
OPERATING TEMPERATURE	-20°C to + 60°C
INSULATION RESISTANCE	10M Ω min. @500 VDC
DIELECTRIC STRENGTH	5mA Max. at 500 VAC for 1 minute
WEIGHT	2.5 Kg
ROHS COMPLIANCE	Yes
IP LEVEL	IP21 (Special IP Rating On Request)

351 mm

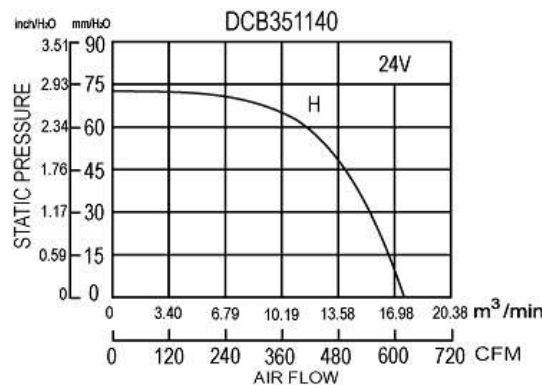
DIMENSION



SPECIFICATION

MODEL NO.	RATED VOLTAGE (V)	RATED CURRENT (A)	INPUT POWER (W)	SPEED (RPM)	MAX. AIR FLOW		NOISE dB(A) @1M
					CFM	m3/min	
DCB351140V12H	12	11.5	138	3000	442	12.5	65
DCB351140V24H	24	11.5	276	4050	618	17.5	71

AIR PERFORMANCE



DCB 352108

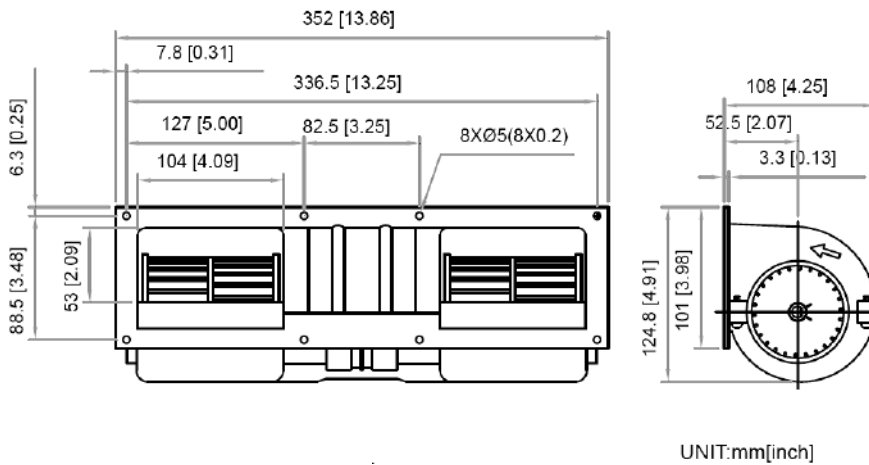
352X108X101mm(13.85"x4.25"x3.97")



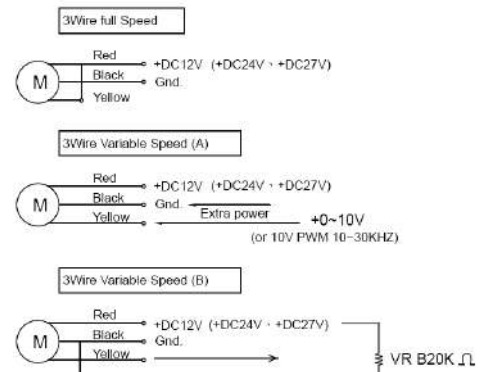
HOUSING Plastic
 IMPELLER Plastic
 BEARING Ball
 INSULATION Class A
 OPERATING TEMPERATURE -20°C to + 40°C
 INSULATION RESISTANCE 10M Ω min. @500 VDC
 DIELECTRIC STRENGTH 5mA Max. at 500 VAC for 1 minute
 WEIGHT 1.8 Kg
 ROHS COMPLIANCE Yes
 IP LEVEL IP21 (Special IP Rating On Request)

352 mm

DIMENSION



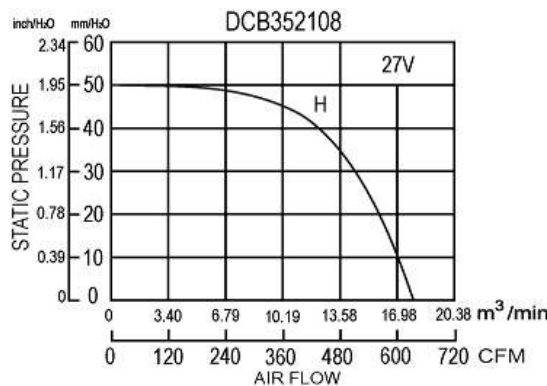
Wire Diagram



SPECIFICATION

MODEL NO.	RATED VOLTAGE (V)	RATED CURRENT (A)	INPUT POWER (W)	SPEED (RPM)	MAX. AIR FLOW		NOISE dB(A) @1M
					CFM	m ³ /min	
DCB352108V12H	12	8.4	100	3260	365	10.33	70
DCB352108V24H	24	6.5	156	3750	383	10.83	70

AIR PERFORMANCE



ECF

19095-YH

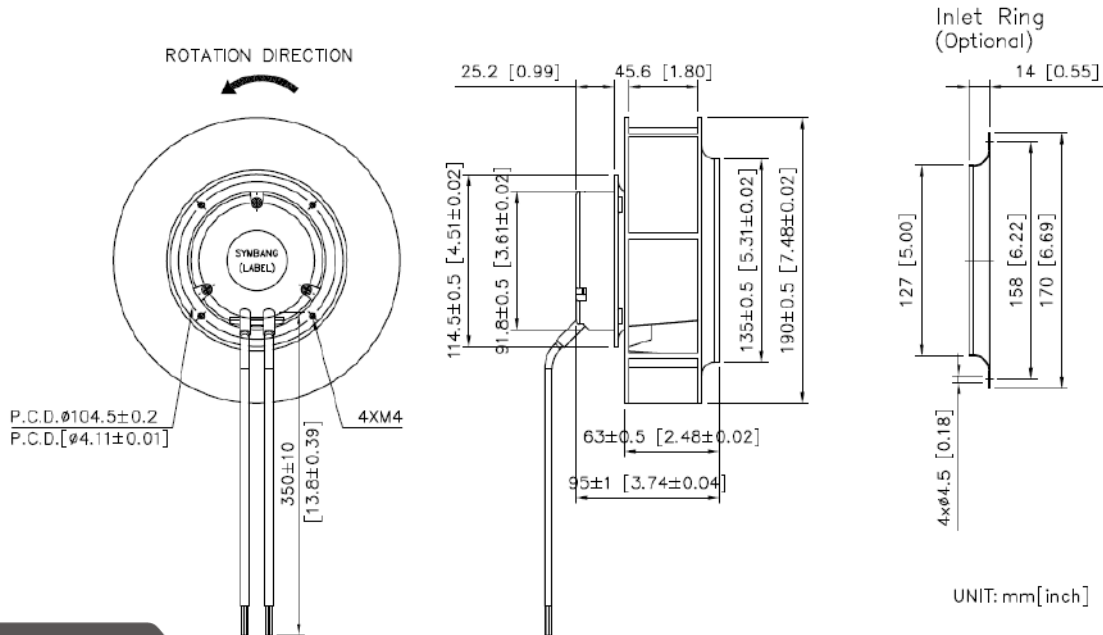
Ø190X95mm(Ø7.48"x3.74")



MOTOR	Outer rotor motor Ø92mm
IMPELLER	Plastic PA 7
BEARING	Ball
INSULATION	Class A
OPERATING TEMPERATURE	-10°C to + 70°C
INSULATION RESISTANCE	10M Ω min. @500 VDC
DIELECTRIC STRENGTH	5mA Max. at 500 VAC for 1 minute
WEIGHT	1.3 kg
ROHS COMPLIANCE	Yes
IP LEVEL	IP21 (Special IP Rating On Request)

190mm

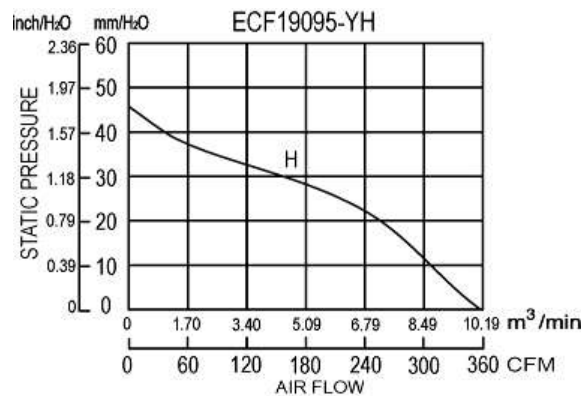
DIMENSION



SPECIFICATION

MODEL NO.	RATED VOLTAGE (V)	FREQUENCY (Hz)	INPUT POWER (W)	SPEED (RPM)	MAX. AIR PRESSURE		MAX. AIR FLOW		NOISE dB(A) @1M
					inch/H2O	mm/H2O	CFM	m3/min	
ECF19095V1HB-YH	110	50/60	90	3000	1.83	46.53	358.14	10.14	71.4
ECF19095V2HB-YH	220	50/60	90	3000	1.83	46.53	358.14	10.14	71.4

AIR PERFORMANCE



ECF 190120

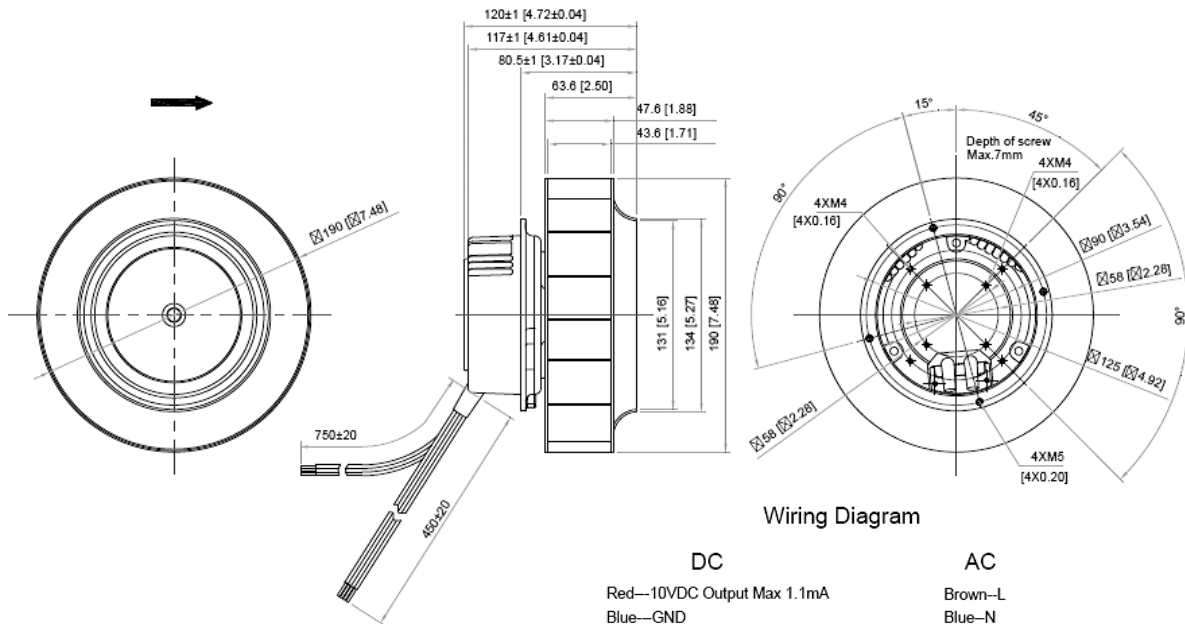
Ø190X120mm(Ø7.48"X4.72")



MOTOR	Outer rotor motor Ø92mm
IMPELLER	Plastic PA6.6
BEARING	Ball
INSULATION	Class F
OPERATING TEMPERATURE	-20°C to + 60°C
INSULATION RESISTANCE	10M Ω min. @500 VDC
DIELECTRIC STRENGTH	5mA Max. at 500 VAC for 1 minute
WEIGHT	1.75 kg
ROHS COMPLIANCE	Yes
IP LEVEL	IP21 (Special IP Rating On Request)

190mm

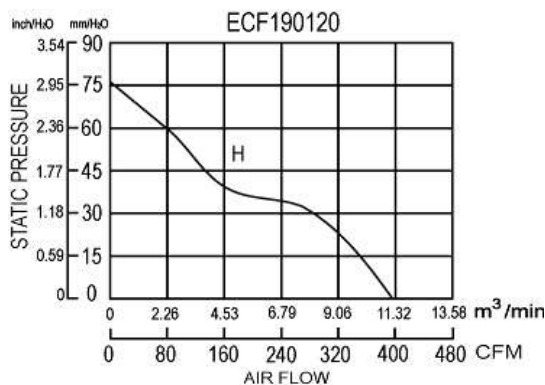
DIMENSION



SPECIFICATION

MODEL NO.	RATED VOLTAGE (V)	FREQUENCY (Hz)	RATED CURRENT (A)	INPUT POWER (W)	SPEED (RPM)	MAX. AIR PRESSURE inch/H ₂ O mm/H ₂ O	MAX. AIR FLOW CFM m ³ /min	NOISE dB(A) @1M
ECF190120V2HB	230	50/60	1.1	160	3600	3.01 76.4	395 11.17	65

AIR PERFORMANCE



ECF 200118

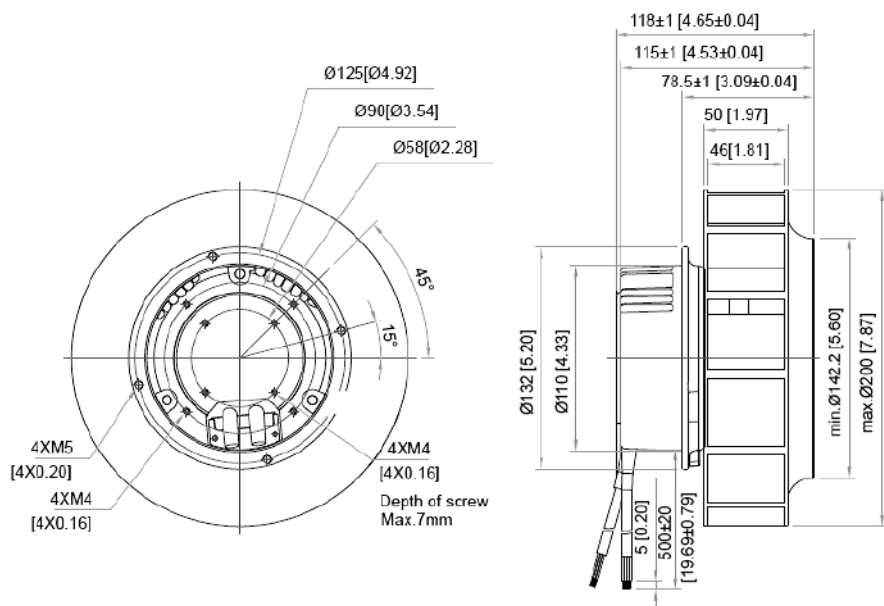
ø200X118mm(ø7.87"X4.65")



MOTOR	Outer rotor motor ø92mm
IMPELLER	Plastic PA6.6
BEARING	Ball
INSULATION	Class A
OPERATING TEMPERATURE	-20°C to + 60°C
INSULATION RESISTANCE	10M Ω min. @500 VDC
DIELECTRIC STRENGTH	5mA Max. at 500 VAC for 1 minute
WEIGHT	2.25 kg
ROHS COMPLIANCE	Yes
IP LEVEL	IP21 (Special IP Rating On Request)

200mm

DIMENSION



Wiring Diagram

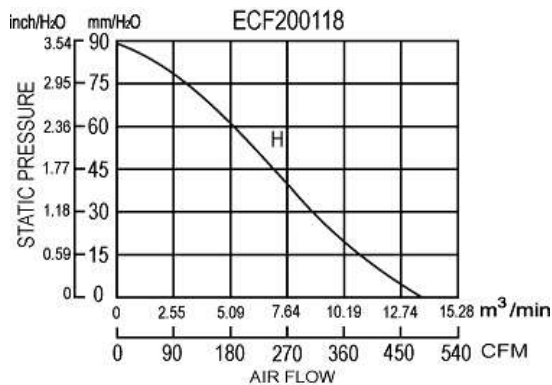
DC	AC
Red—10VDC Output Max 1.1mA	Brown—L
Blue—GND	Blue—N
Yellow—0-10V/PWM Speed Control	Green/Yellow—PE
White—FG, Open Collector	

UNIT:mm[inch]

SPECIFICATION

MODEL NO.	RATED VOLTAGE (V)	FREQUENCY (Hz)	RATED CURRENT (A)	INPUT POWER (W)	SPEED (RPM)	MAX. AIR PRESSURE		MAX. AIR FLOW		NOISE
						inch/H ₂ O	mm/H ₂ O	CFM	m ³ /min	dB(A) @1M
ECF200118V2HB	230	50/60	1.5	219	4000	3.5	88.7	483	13.66	65

AIR PERFORMANCE



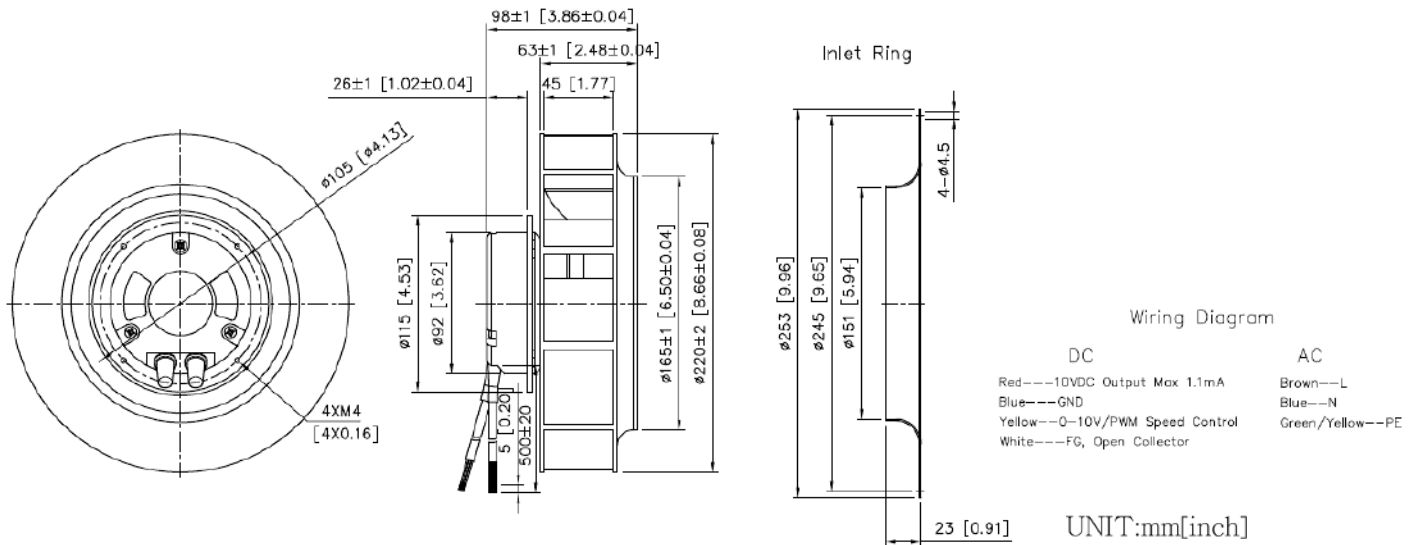
ECF 22098 $\varnothing 220 \times 98 \text{mm} (\varnothing 8.67" \times 3.86")$



MOTOR Outer rotor motor $\varnothing 92 \text{mm}$
 IMPELLER Plastic PA6.6
 BEARING Ball
 INSULATION Class A
 OPERATING TEMPERATURE -20°C to $+60^{\circ}\text{C}$
 INSULATION RESISTANCE $10 \text{M } \Omega$ min. @500 VDC
 DIELECTRIC STRENGTH 5mA Max. at 500 VAC for 1 minute
 WEIGHT 1.34 kg
 ROHS COMPLIANCE Yes
 IP LEVEL IP44 (Special IP Rating On Request)

220mm

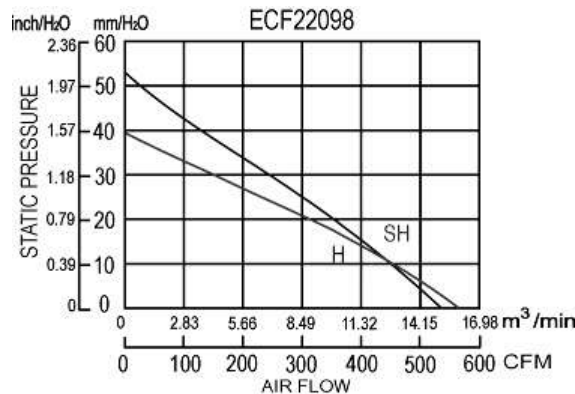
DIMENSION



SPECIFICATION

MODEL NO.	RATED VOLTAGE (V)	FREQUENCY (Hz)	RATED CURRENT (A)	INPUT POWER (W)	SPEED (RPM)	MAX. AIR PRESSURE inch/H ₂ O mm/H ₂ O	MAX. AIR FLOW CFM m ³ /min	NOISE dB(A) @1M
ECF22098V1HB	115	50/60	1.4	110	3200	1.57 39.96	564.2 15.97	70
ECF22098V2HB	230	50/60	0.7	110	3200	1.57 39.96	564.2 15.97	70

AIR PERFORMANCE



ECF

225125

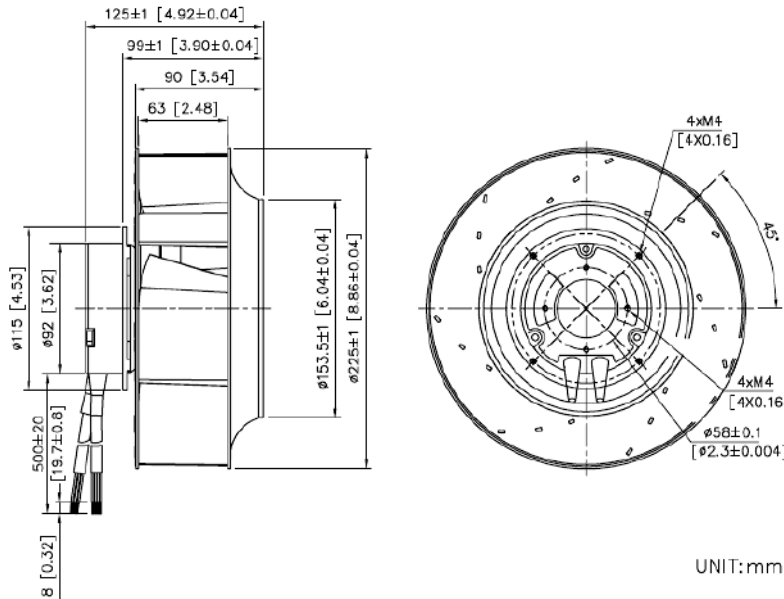
Ø225X125mm(Ø8.86"x4.92")



MOTOR	Outer rotor motor Ø92mm
IMPELLER	Plastic
BEARING	Ball
INSULATION	Class A
OPERATING TEMPERATURE	-20°C to + 60°C
INSULATION RESISTANCE	10M Ω min. @500 VDC
DIELECTRIC STRENGTH	5mA Max. at 500 VAC for 1 minute
WEIGHT	1.5 kg
ROHS COMPLIANCE	Yes
IP LEVEL	IP44

225mm

DIMENSION



Wiring Diagram

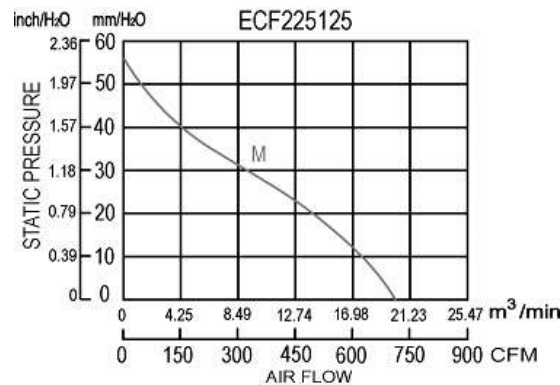
DC	AC
Red---10VDC Output Max 1.1mA	Brown--L
Blue---GND	Blue--N
Yellow--0-10V/PWM Speed Control	Green/Yellow--PE
White---FG, Open Collector	

UNIT:mm[inch]

SPECIFICATION

MODEL NO.	RATED VOLTAGE (V)	FREQUENCY (Hz)	RATED CURRENT (A)	INPUT POWER (W)	SPEED (RPM)	MAX. AIR PRESSURE inch/H ₂ O mm/H ₂ O	MAX. AIR FLOW CFM m ³ /min	NOISE dB(A) @1M
ECF225125FVM	100/270	50/60	1.2/0.8	100	2500	2.2 56	713.4 20.19	69

AIR PERFORMANCE



ECF 225125-YH CE

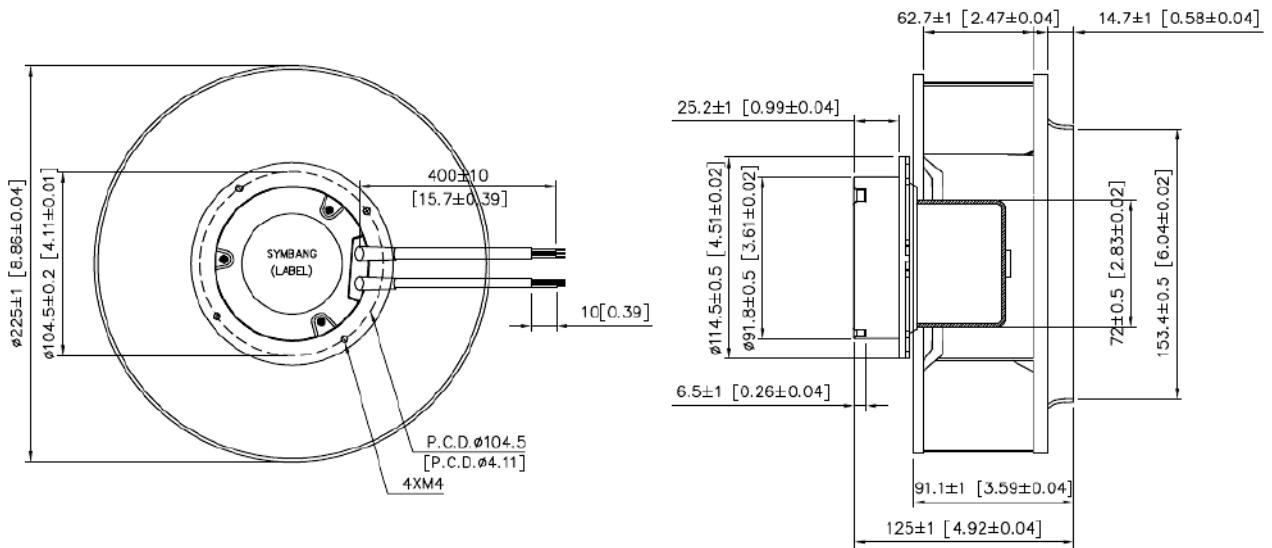
Ø225X125mm(Ø8.86"x4.92")



- | | |
|-----------------------|-------------------------------------|
| MOTOR | Outer rotor motor Ø92mm |
| IMPELLER | Plastic |
| BEARING | Ball |
| INSULATION | Class A |
| OPERATING TEMPERATURE | -10°C to + 70°C |
| INSULATION RESISTANCE | 10M Ω min. @500 VDC |
| DIELECTRIC STRENGTH | 5mA Max. at 500 VAC for 1 minute |
| WEIGHT | 1.5 kg |
| ROHS COMPLIANCE | Yes |
| IP LEVEL | IP21 (Special IP Rating On Request) |

225 mm

DIMENSION

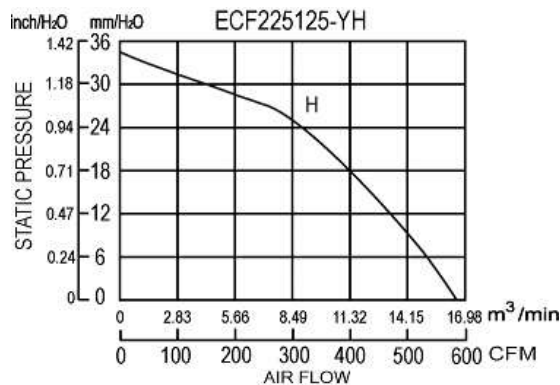


UNIT: mm[inch]

SPECIFICATION

MODEL NO.	RATED VOLTAGE (V)	FREQUENCY (Hz)	INPUT POWER (W)	SPEED (RPM)	MAX. AIR PRESSURE		MAX. AIR FLOW		NOISE dB(A) @1M
					inch/H2O	mm/H2O	CFM	m3/min	
ECF225125V1HB-YH	110	50/60	90	2200	1.36	34.63	586.4	16.61	63
ECF225125V2HB-YH	220	50/60	90	2200	1.36	34.63	586.4	16.61	63

AIR PERFORMANCE



ECF

225144

Ø225X144mm(Ø8.85"x5.67")

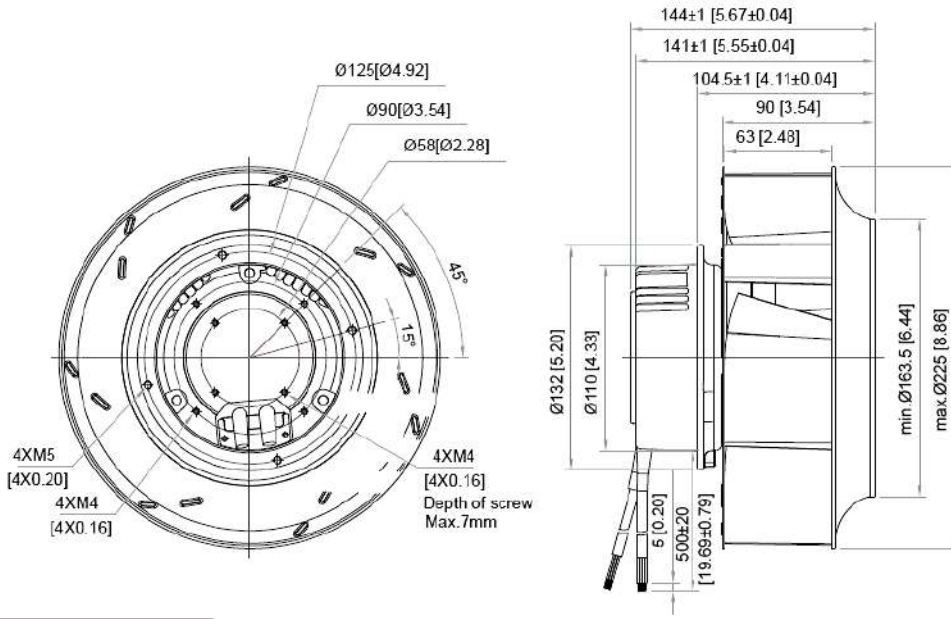


MOTOR
 IMPELLER
 BEARING
 INSULATION
 OPERATING TEMPERATURE
 INSULATION RESISTANCE
 DIELECTRIC STRENGTH
 WEIGHT
 ROHS COMPLIANCE
 IP LEVEL

Outer rotor motor Ø92mm
 Plastic PA6.6
 Ball
 Class A
 -20°C to + 65°C
 10M Ω min. @500 VDC
 5mA Max. at 500 VAC for 1 minute
 2.31 kg
 Yes
 IP21 (Special IP Rating On Request)

225 mm

DIMENSION



Wiring Diagram

DC
 Red---10VDC Output Max. 1.1mA
 Blue---GND
 Yellow---0-10V/PWM Speed Control
 White---FG, Open Collector

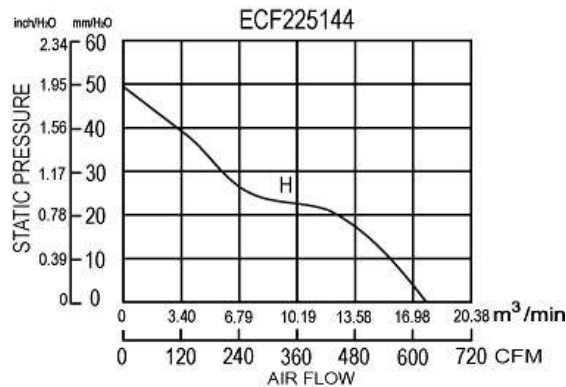
AC
 Brown---L
 Blue---N
 Green/Yellow---PE

SPECIFICATION

UNIT:mm[inch]

MODEL NO.	RATED VOLTAGE (V)	FREQUENCY (Hz)	RATED CURRENT (A)	INPUT POWER (W)	SPEED (RPM)	MAX. AIR PRESSURE inch/H2O mm/H2O	MAX. AIR FLOW CFM m3/min	NOISE dB(A) @1M
ECF225144V2HB	230	50/60	0.9	136	2600	1.94 49.2	629 17.83	68

AIR PERFORMANCE



ECF 250130

Ø250X130mm(Ø9.84"x5.12")

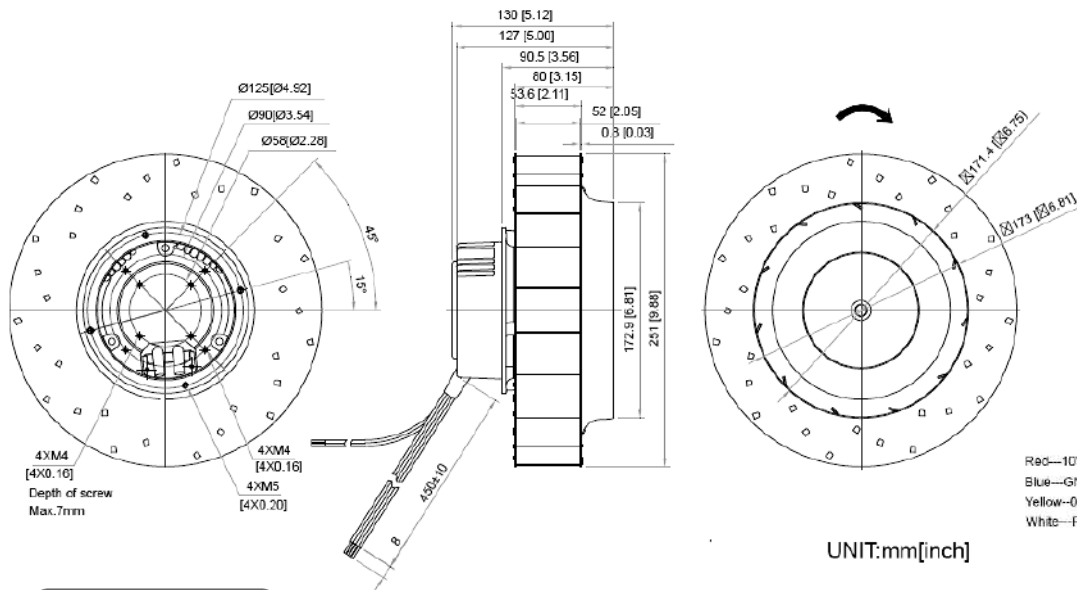


MOTOR
IMPELLER
BEARING
INSULATION
OPERATING TEMPERATURE
INSULATION RESISTANCE
DIELECTRIC STRENGTH
WEIGHT
ROHS COMPLIANCE
IP LEVEL

Outer rotor motor Ø92mm
Metal
Ball
Class A
-20°C to + 60°C
10M Ω min. @500 VDC
5mA Max. at 500 VAC for 1 minute
2.1 kg
Yes
IP21 (Special IP Rating On Request)

250mm

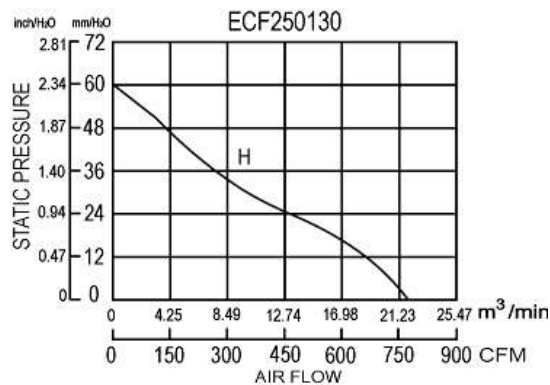
DIMENSION



SPECIFICATION

MODEL NO.	RATED VOLTAGE (V)	FREQUENCY (Hz)	RATED CURRENT (A)	INPUT POWER (W)	SPEED (RPM)	MAX. AIR PRESSURE inch/H ₂ O mm/H ₂ O	MAX. AIR FLOW CFM m ³ /min	NOISE dB(A) @1M
ECF250130V2HB	230	50/60	1	145	2600	2.36 59.9	772 21.86	70

AIR PERFORMANCE



ECF 280165

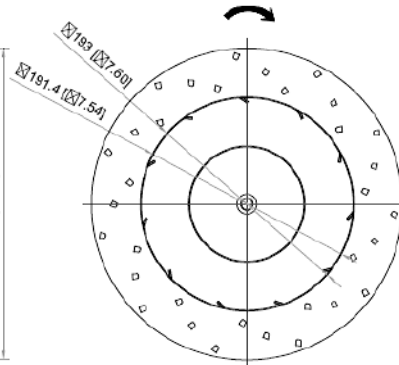
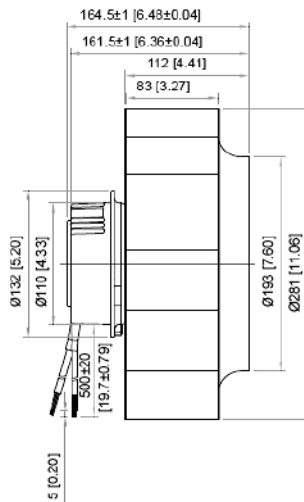
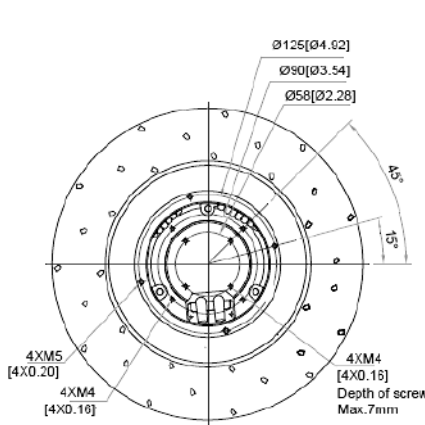
Ø280X165mm(Ø11.02"x6.5")



MOTOR	Outer rotor motor Ø92mm
IMPELLER	Metal
BEARING	Ball
INSULATION	Class A
OPERATING TEMPERATURE	-20°C to + 60°C
INSULATION RESISTANCE	10M Ω min. @500 VDC
DIELECTRIC STRENGTH	5mA Max. at 500 VAC for 1 minute
WEIGHT	3.8 kg
ROHS COMPLIANCE	Yes
IP LEVEL	IP21 (Special IP Rating On Request)

280mm

DIMENSION



Wiring Diagram

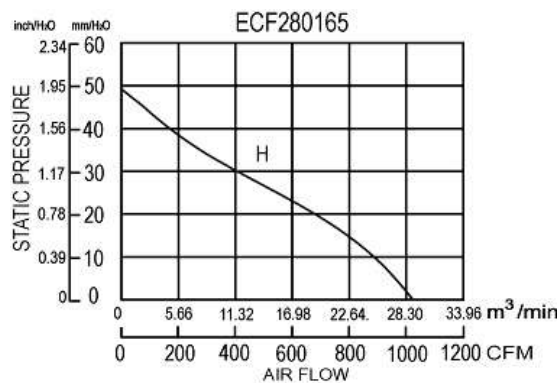
- AC
- Brown—L
 - Blue—N
 - Green/Yellow—PE
- DC
- Red—10VDC Output Max 1.1mA
 - Blue—GND
 - Yellow—0-10V/PWM Speed Control
 - White—FG, Open Collector

UNIT:mm[inch]

SPECIFICATION

MODEL NO.	RATED VOLTAGE (V)	FREQUENCY (Hz)	RATED CURRENT (A)	INPUT POWER (W)	SPEED (RPM)	MAX. AIR PRESSURE inch/H2O mm/H2O	MAX. AIR FLOW CFM m3/min	NOISE dB(A) @1M
ECF280165V1HB	115	50/60	2	151	1900	1.9 48.1	1060 30.01	76
ECF280165V2HB	230	50/60	1	145	1900	1.9 48.1	1060 30.01	76

AIR PERFORMANCE



ECF 316160

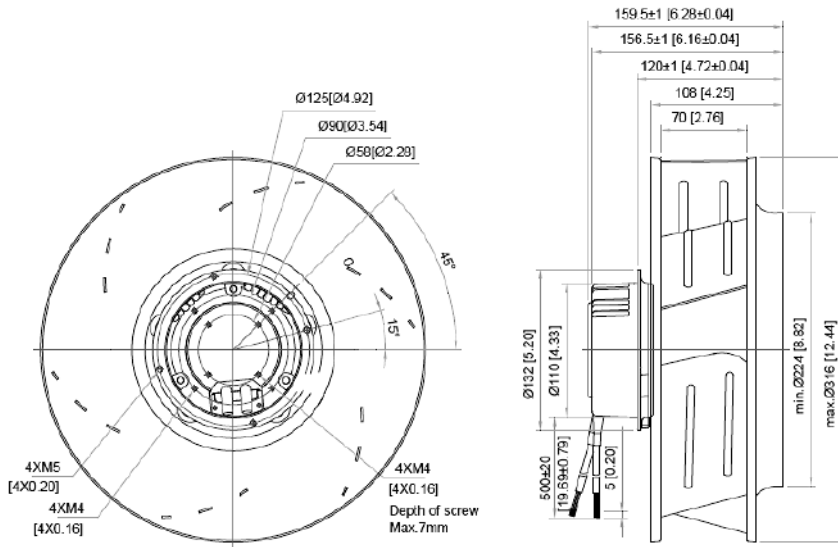
Ø316X160mm(Ø12.52"x6.3")



MOTOR	Outer rotor motor Ø92mm
IMPELLER	Aluminum, Painted Black
BEARING	Ball
INSULATION	Class A
OPERATING TEMPERATURE	-20°C to + 60°C
INSULATION RESISTANCE	10M Ω min. @500 VDC
DIELECTRIC STRENGTH	5mA Max. at 500 VAC for 1 minute
WEIGHT	3.13 kg
ROHS COMPLIANCE	Yes
IP LEVEL	IP21 (Special IP Rating On Request)

316_{mm}

DIMENSION



Wiring Diagram

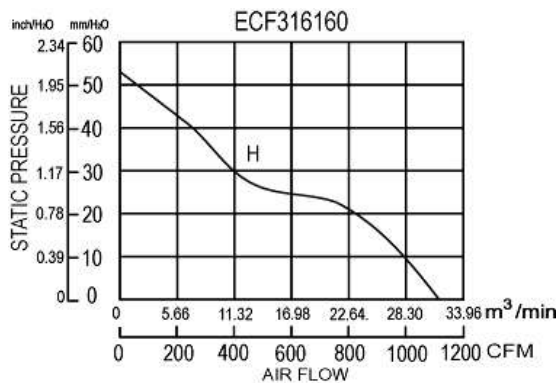
DC	AC
Red—10VDC Output Max 1.1mA	Brown—L
Blue—GND	Blue—N
Yellow—0-10V PWM Speed Control	Green/Yellow—PE
White—FG, Open Collector	

SPECIFICATION

UNIT:mm[inch]

MODEL NO.	RATED VOLTAGE (V)	FREQUENCY (Hz)	RATED CURRENT (A)	INPUT POWER (W)	SPEED (RPM)	MAX. AIR PRESSURE inch/H ₂ O mm/H ₂ O	MAX. AIR FLOW CFM m ³ /min	NOISE dB(A) @1M
ECF316160V2HB	230	50/60	1	140	1700	2.07 52.7	1118 31.66	64

AIR PERFORMANCE



ECF 316194

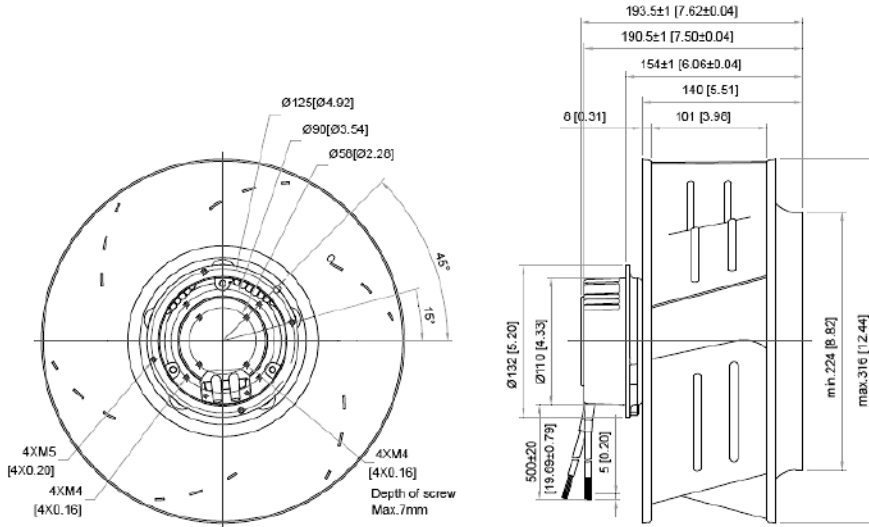
Ø316X194mm(Ø12.52"x7.64")



MOTOR	Outer rotor motor Ø92mm
IMPELLER	Aluminum
BEARING	Ball
INSULATION	Class A
OPERATING TEMPERATURE	-20°C to + 60°C
INSULATION RESISTANCE	10M Ω min. @500 VDC
DIELECTRIC STRENGTH	5mA Max. at 500 VAC for 1 minute
WEIGHT	3.38 kg
ROHS COMPLIANCE	Yes
IP LEVEL	IP21 (Special IP Rating On Request)

316mm

DIMENSION



Wiring Diagram

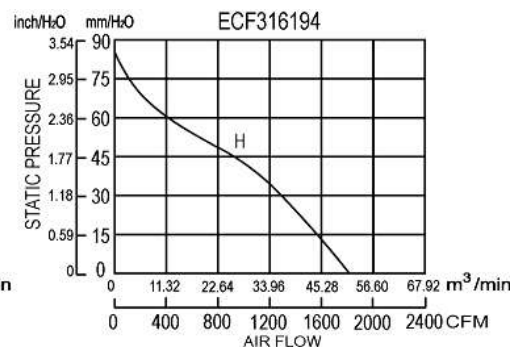
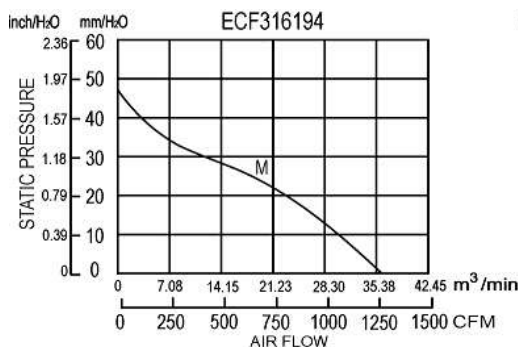
DC	AC
Red—10VDC Output Max 1.1mA	Brown—L
Blue—GND	Blue—N
Yellow—0-10V/PWM Speed Control	Green/Yellow—PE
White—FG, Open Collector	

SPECIFICATION

UNIT:mm[inch]

MODEL NO.	RATED VOLTAGE (V)	FREQUENCY (Hz)	RATED CURRENT (A)	INPUT POWER (W)	SPEED (RPM)	MAX. AIR PRESSURE inch/H ₂ O mm/H ₂ O	MAX. AIR FLOW CFM m ³ /min	NOISE dB(A) @1M
ECF316194V1HB	115	50/60	4.20	390	2350	3.42 86.79	1802.6 51.04	75
ECF316194V1MB	115	50/60	1.80	140	1600	1.88 47.7	1288.7 36.49	57
ECF316194V2SLB	230	50/60	3.50	530	2600	4.06 103.08	1971.8 55.82	82
ECF316194V2HB	230	50/60	2.60	390	2350	3.42 86.79	1802.6 51.04	75
ECF316194V2MB	230	50/60	0.95	140	1600	1.88 47.7	1288.7 36.49	57

AIR PERFORMANCE



ECF 355206

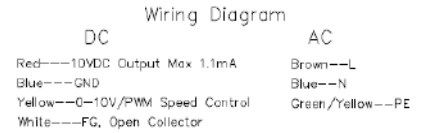
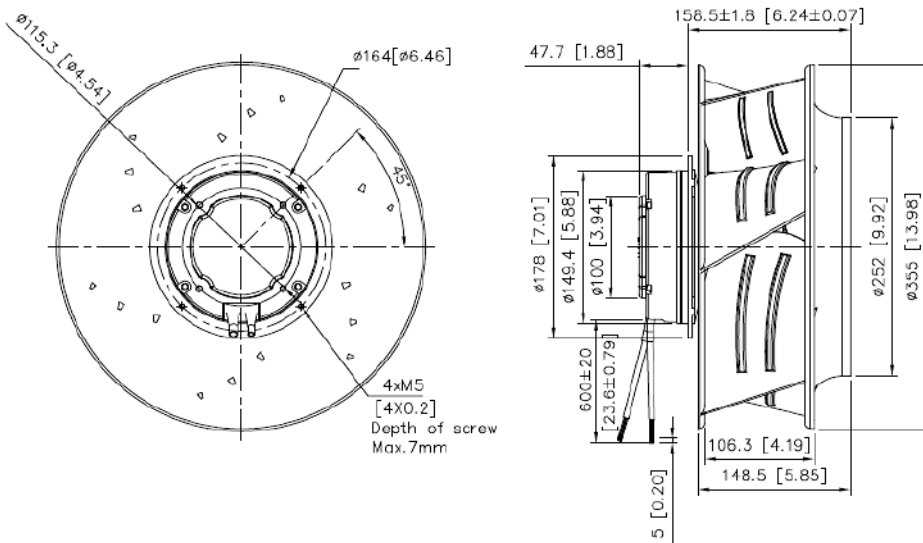
Ø355X206mm(Ø13.98"x8.11")



MOTOR	Outer rotor motor Ø102mm
IMPELLER	Aluminum
BEARING	Ball
INSULATION	Class A
OPERATING TEMPERATURE	-20°C to + 60°C
INSULATION RESISTANCE	10M Ω min. @500 VDC
DIELECTRIC STRENGTH	5mA Max. at 500 VAC for 1 minute
WEIGHT	5.7 kg
ROHS COMPLIANCE	Yes
IP LEVEL	IP21 (Special IP Rating On Request)

355 mm

DIMENSION

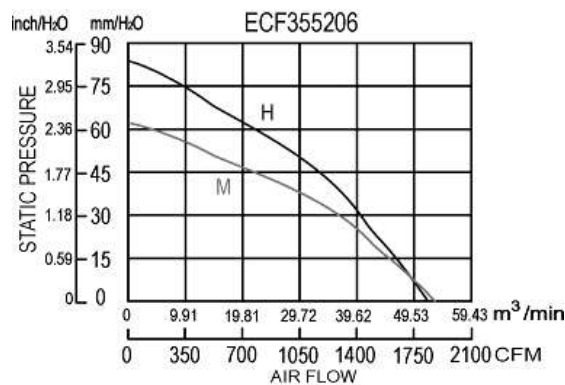


UNIT: mm[inch]

SPECIFICATION

MODEL NO.	RATED VOLTAGE (V)	FREQUENCY (Hz)	RATED CURRENT (A)	INPUT POWER (W)	SPEED (RPM)	MAX. AIR PRESSURE inch/H ₂ O mm/H ₂ O	MAX. AIR FLOW CFM m ³ /min	NOISE dB(A) @1M
ECF355206V2HB	230	50/60	3.2	471	1950	3.2 82.26	1809.5 51.2	73
ECF355206V2MB	230	50	2.4	400	1730	2.41 61.2	1884 53.32	72

AIR PERFORMANCE



ECF 404206

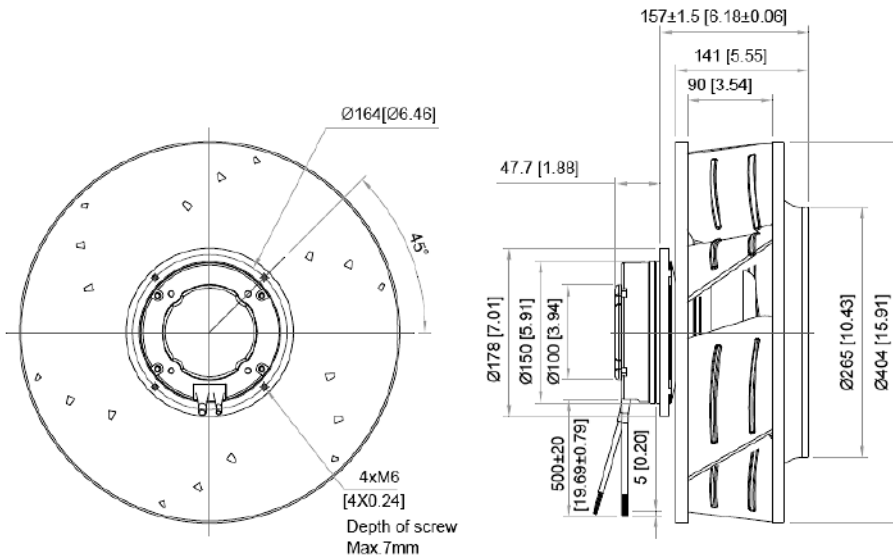
Ø404X206mm(Ø15.91"x8.11")



MOTOR	Outer rotor motor Ø102mm
IMPELLER	Aluminum
BEARING	Ball
INSULATION	Class A
OPERATING TEMPERATURE	-20°C to + 60°C
INSULATION RESISTANCE	10M Ω min. @500 VDC
DIELECTRIC STRENGTH	5mA Max. at 500 VAC for 1 minute
WEIGHT	7.7 kg
ROHS COMPLIANCE	Yes
IP LEVEL	IP21 (Special IP Rating On Request)

404mm

DIMENSION



Wiring Diagram

DC	AC
Red---10VDC Output Max 1.1mA	Brown---L
Blue---GND	Blue---N
Yellow---0-10V/PWM Speed Control	Green/Yellow---PE
White---FG, Open Collector	

SPECIFICATION

UNIT:mm[inch]

MODEL NO.	RATED VOLTAGE (V)	FREQUENCY (Hz)	RATED CURRENT (A)	INPUT POWER (W)	SPEED (RPM)	MAX. AIR PRESSURE inch/H ₂ O mm/H ₂ O	MAX. AIR FLOW CFM m ³ /min	NOISE dB(A) @1M
ECF404206V2HB	230	50/60	2.5	360	1550	2.8 71	2100 59.47	71

AIR PERFORMANCE

