



# CATALOG

YTK CO., LTD.  
[Http://www.ytk-group.co.jp](http://www.ytk-group.co.jp)

株式会社YTK  
〒556-0011 大阪市浪速区難波中2-10-70 難波パークスタワー19F  
〒556-0011 NAMBA PARKS 19F, 2-10-70 Nambanaka, Naniwa-ku, Osaka-shi, Osaka  
TEL : 06-7662-8687 FAX:06-6777-7941

株式会社YTK 平野配送センター：  
〒547-0004 大阪府大阪市平野区加美鞍作1丁目10番12号  
1-10-12, Kamikuratsukuri, Hirano-ku Osaka-shi, Osaka Japan 547-0004  
TEL : 06-6777-7463 FAX:06-6777-7941

▶ 美式喉箍 / American Hose Clamp



8mm 钢带喉箍



12.7mm 钢带喉箍



■ 技术参数-美式卡箍 / Technical Data - American Hose Clamp

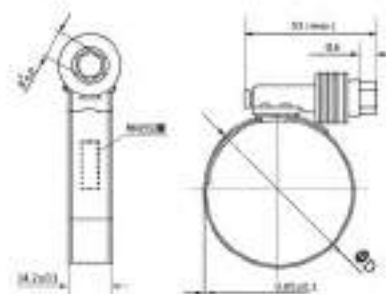
型号 SAE No.	产品货号 Item No.			
	LTMS 8.0 (Bandwidth 8.0mm)		LTMS 12.7 (Band width 12.7mm)	
	inch	mm	inch	mm
04	3/8-5/8	10-16	3/8-5/8	10-16
05	1/2-3/4	13-19	1/2-3/4	13-19
06	1/2-7/8	12-22	5/8-7/8	16-23
08	5/8-1	16-25	3/4-1 1/16	19-27
10	3/4-1 1/16	19-29	5/8-1 1/4	16-32
12	7/8-1 1/4	22-32	3/4-1 1/2	19-38
16	1-1 1/2	25-38	3/4-1 3/4	19-44
20	1 1/4-1 3/4	32-44	1 1/4-2	32-51
24	1 3/8-2	35-51	1 1/2-2 1/4	38-57
28	1 1/2-2 1/4	38-57	1 9/16-2 1/2	40-64
32	1 1/2-2 3/8	35-60	1 13/16-2 3/4	46-70
36	1 3/4-2 1/2	44-64	2 1/4-3	57-76
40	2-2 3/4	51-70	2 5/8-3 1/4	67-83
44	2 3/4-3 1/4	64-76	2 9/16-3 1/2	65-89
48	1 13/16-3 1/2	70-89	2 13/16-3 3/4	72-95
52	2 13/16-3 3/4	72-95	3 1/16-4	78-101
56	3 1/16-4	78-101	3 5/16-4 1/4	84-108
60	/	/	3 9/16-4 1/2	91-114
64	/	/	4 1/8-5	105-127
72	/	/	4 5/8-5 1/2	117-140
80	/	/	5 1/8-6	105-152
88	/	/	5 9/16-6 1/2	114-165
96	/	/	6 1/8-7	156-178
104	/	/	7-8	177-203
116	/	/	8-9	203-228
120	/	/	9-10	228-254

材质 Material	钢带 Band	接头 Housing	螺丝 Screw	建议安装扭力 Suggested Install Torque
W1	Zinc Plated Steel	Zinc Plated Steel	Zinc Plated Steel	Band (8mm) - 2.1Nm Band (12.7mm) - 3.8 Nm
W2	AISI SS201/SS301	AISI SS201/SS301	Zinc Plated Steel	
W2B	AISI SS201	Zinc Plated Steel	Zinc Plated Steel	Band (8mm) - 2.1Nm Band (12.7mm) - 6 Nm
W4	AISI SS201/SS301/SS304	AISI SS201/SS301/SS304	AISI SS201/SS301/SS304	
W5	AISI SS316	AISI SS316	AISI SS316	



## ▶ 美式重型恒定压力卡箍 / Constant Tension Clamp

Belleville Spring and clamp construction is built to response to constant temperature fluctuations. The Larger, heavier-gauge, precision-formed springs provide higher rates of band tension and adjustment for a more dependable seal. Inner liner protects against shearing of the hose surfaces.



■ 技术参数-美式重型恒定压力卡箍 / Technical Data -Constant Tension Clamp

LTZX15.8(Band width 15.8mm)		
Size	inch	mm
175	1-1 3/4	25-45
212	1 1/4-2 1/8	32-54
262	1 3/4-2 5/8	45-66
312	2 1/4-3 1/8	57-79
362	2 3/4-3 5/8	70-92
412	3 1/4-4 1/8	83-105
462	3 3/4-4 5/8	95-117
512	4 1/4-5 1/8	108-130
562	4 3/4-5 5/8	121-143
612	5 1/4-6 1/8	133-155
662	5 3/4-6 5/8	146-168
712	6 1/4-7 1/8	159-181
762	6 3/4-7 5/8	172-193
812	7 1/4-8 1/8	184-206
862	7 3/4-8 5/8	197-219
912	8 1/4-9 1/8	210-232

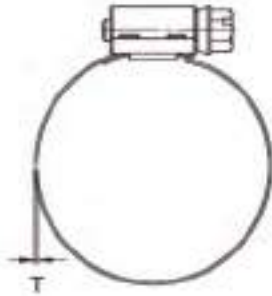
材质 Material	钢带 Band	箍头 Housing	螺丝 Screw	垫圈 Washer	建议安装扭力 Suggested Install Torque
W2	AISI SS301/SS304	AISI SS301/SS304	Zinc Plated Steel	AISI SS410	11 Nm
W4	AISI SS301/SS304	AISI SS301/SS304	AISI SS301/SS304	AISI SS410	

## ▶ 美式手柄系列 / American hose clamp with handle





## 美式扣盖喉箍 / Power-Gear Hose Clamp



■ 技术参数-美式扣盖喉箍 / Technical Data - Power-Gear Hose Clamp

型号	产品货号 Item No.						
Size	LTKG 12.5(Bandwidth 12.5mm)		LTKG 14.2 (Band width 14.2mm)		LTKG 15.8(Band width 15.8mm)		
	inch	mm	inch	mm	Size	inch	mm
6	7/16-3/4	11-20	/	/	175	1-1 3/4	25-45
8	1/2-15/16	13-23	/	/	212	1 1/4-2 1/8	32-54
10	9/16-1 1/16	14-27	9/16-1 1/16	14-27	262	1 3/4-2 5/8	45-66
12	11/16-1 1/4	18-32	11/16-1 1/4	18-32	312	2 1/4-3 1/8	57-79
16	13/16-1 1/2	21-38	13/16-1 1/2	21-38	362	2 3/4-3 5/8	70-92
20	13/16-1 3/4	21-44	13/16-1 3/4	21-44	412	3 1/4-4 1/8	83-105
24	1 1/16-2	27-51	1 1/16-2	27-51	462	3 3/4-4 5/8	95-117
28	1 5/16-2 1/4	33-57	1 5/16-2 1/4	33-57	512	4 1/4-5 1/8	108-130
32	1 9/16-2 1/2	40-64	1 9/16-2 1/2	40-64	562	4 3/4-5 5/8	121-143
36	1 13/16-2 3/4	45-70	1 13/16-2 3/4	46-70	612	5 1/4-6 1/8	133-155
40	2 1/16-3	52-76	2 1/16-3	52-76	662	5 3/4-6 5/8	146-168
44	2 5/16-3 1/4	59-83	2 5/16-3 1/4	59-83	712	6 1/4-7 1/8	159-181
48	2 9/16-3 1/2	65-89	2 9/16-3 1/2	65-89	762	6 3/4-7 5/8	172-193
52	2 13/16-3 3/4	71-95	2 13/16-3 3/4	71-95	812	7 1/4-8 1/8	184-206
56	3 1/16-4	78-102	3 1/16-4	78-102	862	7 3/4-8 5/8	197-219
60	3 5/16-4 1/4	84-108	3 5/16-4 1/4	84-108	912	8 1/4-9 1/8	210-232
64	3 9/16-4 1/2	90-114	3 9/16-4 1/2	90-114	/	/	/
72	4 1/16-5	103-127	4 1/16-5	103-127	/	/	/
80	4 5/8-5 1/2	117-140	4 5/8-5 1/2	117-140	/	/	/
88	5 1/8-6	130-152	5 1/8-6	130-152	/	/	/
96	5 9/16-6 1/2	141-165	5 9/16-6 1/2	141-165	/	/	/

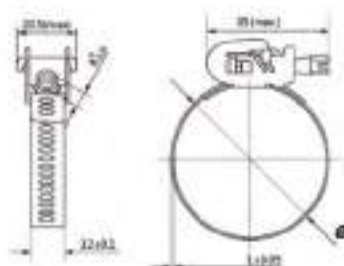
材质 Material	钢带 Band	罩头 Housing	螺丝 Screw	建议安装扭力 Suggested Install Torque
W1	Zinc Plated Steel	Zinc Plated Steel	Zinc Plated Steel	LTKG12.5---5.3 Nm
W2	AISI SS201/SS301/SS203	AISI SS201/SS301/SS203	Zinc Plated Steel	LTKG14.2---7.5 Nm
W4	AISI SS304	AISI SS304	AISI SS304	LTKG15.8---11 Nm

可根据客户要求提供更多尺寸和材质。以上数据仅供参考  
 More size and material can be supplied according to customers' requirements. Above data just for reference.

YTK CO.,LTD.  
[Http://www.ytk-group.co.jp](http://www.ytk-group.co.jp)



▶ 美式快速释放卡箍 / Quick Release Hose Clamp



■ 技术参数-美式快速释放卡箍 / Technical Data - Quick Release Hose Clamp

型号	货号Item No.	
SAE No.	LTSP 12.7 (Band width 12.7mm)	
	inch	mm
12	1/2-1 1/4	13-32
20	3/4-1 3/4	19-44
24	1-2	26-51
28	1-2 1/4	26-57
36	1-2 3/4	26-70
48	1 1/2-3 1/2	38-89
56	1-4	26-101
72	2-5	51-127
88	2-6	51-152
104	2-7	51-178
116	1 3/4-7 3/4	45-197
128	4 1/4-8 1/2	108-216
136	1 3/4-9	45-228
152	2-10	51-254
188	2-12 1/4	51-311

▶ 美式卡箍组件 / Hose Clamp Set

Bandwidth 12.7mm; all 200/300 stainless steel; 8.0mm hex-head screw  
 Band width 8mm; Material: all 200/300 stainless steel; 6.0mm hex-head screw, Galvanized Carbon steel.



■ 技术参数-美式卡箍组件 / Technical Data - Hose Clamp Set

Part No.	Band Width	Thickness	length	Material	MOQ
AEB08	Band of 8mm	0.6mm	30m	SS201,SS304,SS316	100rolls
AEB13	Band of 12.7mm	0.6mm	30m	SS201,SS304,SS316	100rolls
AEH08	Housing for 8mm			W2&W4/SS201,SS304	1000pcs.
AEH13	Housing for 12.7mm			W2&W4/SS201,SS304	1000pcs.

可根据客户要求提供更多尺寸和材质。以上数据仅供参考  
 More size and material can be supplied according to customers' requirements. Above data just for reference.

YTK CO.,LTD.  
[Http://www.ytk-group.co.jp](http://www.ytk-group.co.jp)





## ▶ 德式偏头喉箍 / German Type Head Hose Clamp



■ 技术参数-德式偏头喉箍 / Technical Data-German Type Head Hose Clamp

Dimension		货号 Item No.	
		LTDP9.0 (Bandwidth 9.0mm)	LTDP12.0 (Bandwidth 12.0mm)
8-12	5/16-1/2	LTDP0912	/
10-16	3/8-5/8	LTDP0914	/
12-20	1/2-3/4	LTDP0920	/
12-22	1/2-7/8	LTDP0922	/
16-25	5/8-1	LTDP0925	/
16-27	5/16-11/16	LTDP0927	LTDP1227
20-32	3/4-1 1/4	LTDP0932	LTDP1232
32-35	7/8-1 3/8	LTDP0935	LTDP1235
25-40	1-1 5/8	LTDP0940	LTDP1240
30-45	1 5/16-1 3/4	LTDP0945	LTDP1245
32-50	1 1/4-2	LTDP0950	LTDP1250
40-60	1 5/8-2 3/8	LTDP0960	LTDP1260
50-70	2-2 3/4	LTDP0970	LTDP1270
60-80	2 3/8-3 1/8	LTDP0980	LTDP1280
70-90	2 3/4-3 1/2	LTDP0990	LTDP1290
80-100	3 1/8-4	LTDP09100	LTDP12100
90-110	3 1/2-4 3/8	LTDP09110	LTDP12110
100-120	4-4 3/4	LTDP09120	LTDP12120
110-130	4 3/8-5 1/8	LTDP09130	LTDP12130
120-140	4 3/4-5 1/2	LTDP09140	LTDP12140
130-150	5 1/8-5 7/8	LTDP09150	LTDP12150
140-160	5 1/2-6 1/4	LTDP09160	LTDP12160
150-170	5 15/16-6-11/16	LTDP09170	LTDP12170
160-180	6 5/16-7 1/16	LTDP09180	LTDP12180
170-190	6 11/16-7 1/2	LTDP09190	LTDP12190
180-200	7 1/16-7 7/8	LTDP09200	LTDP12200
190-210	7 1/2-8 1/4	LTDP09210	LTDP12210
200-220	7 7/8-8 11/16	LTDP09220	LTDP12220

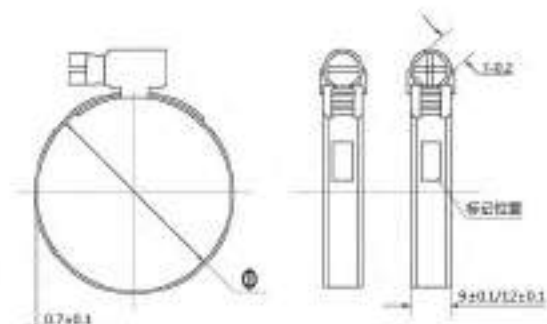
## ▶ 德式手柄 / German Hose Clamp With Handle



可根据客户要求提供更多尺寸和材质。以上数据仅供参考。  
 More size and material can be supplied according to customers' requirements. Above data just for reference.



▶ 德式喉箍 / Germany Type Hose Clamp



■ 技术参数-德式喉箍 / Technical Data-Germany Type Hose Clamp

带宽9mm 货号 Item no.		紧固范围 Range mm Q 675	紧固范围 Range mm DIN3017	s mm	带宽12mm 货号 Item no.		紧固范围 Range mm Q 675	紧固范围 Range mm DIN3017	s mm
W1 W2	W4 W5				W1 W2	W4 W5			
LTDS/09B0812	LTDS/09Q0812	8-12	8-12	23	/	/	/	/	/
LTDS/09B1016	LTDS/09Q1016	10-16	10-16	23	/	/	/	/	/
LTDS/09B1222	LTDS/09Q1222	12-22	12-22	25	LTDS/12B1220	LTDS/12Q1220	12-22	12-22	25
LTDS/09B1627	LTDS/09Q1627	16-27	16-27	25	LTDS/12B1625	LTDS/12Q1625	16-27	16-27	25
LTDS/09B2032	LTDS/09Q2032	23-35	20-32	25	LTDS/12B2032	LTDS/12Q2032	25-35	20-32	25
LTDS/09B2540	LTDS/09Q2540	25-40	25-40	26	LTDS/12B2540	LTDS/12Q2540	30-45	25-40	26
LTDS/09B3250	LTDS/09Q3250	32-50	30-45	26	LTDS/12B3250	LTDS/12Q3250	32-50	30-45	26
			35-50	26				35-50	26
LTDS/09B4060	LTDS/09Q4060	40-60	40-60	26	LTDS/12B4060	LTDS/12Q4060	40-60	40-60	26
LTDS/09B5070	LTDS/09Q5070	50-70	50-70	26	LTDS/12B5070	LTDS/12Q5070	50-70	50-70	26
LTDS/09B6080	LTDS/09Q6080	60-80	60-80	26	LTDS/12B6080	LTDS/12Q6080	60-80	60-80	26
LTDS/09B7090	LTDS/09Q7090	70-90	70-90	26	LTDS/12B7090	LTDS/12Q7090	70-90	70-90	29
LTDS/09B80100	LTDS/09Q80100	80-100	80-100	26	LTDS/12B80100	LTDS/12Q80100	80-100	80-100	29
LTDS/09B90110	LTDS/09Q90110	90-110	90-110	26	LTDS/12B90110	LTDS/12Q90110	90-110	90-110	29
LTDS/09B100120	LTDS/09Q100120	100-120	100-120	26	LTDS/12B100120	LTDS/12Q100120	100-120	100-120	31
LTDS/09B110130	LTDS/09Q110130	110-130	110-130	26	LTDS/12B110130	LTDS/12Q110130	110-130	110-130	31
LTDS/09B120140	LTDS/09Q120140	120-140	120-140	26	LTDS/12B120140	LTDS/12Q120140	120-140	120-140	31
LTDS/09B130150	LTDS/09Q130150	130-150	130-150	26	LTDS/12B130150	LTDS/12Q130150	130-150	130-150	31
LTDS/09B140160	LTDS/09Q140160	140-160	140-160	26	LTDS/12B140160	LTDS/12Q140160	140-160	140-160	31



材质 Material	钢带 Band	螺母 Housing	螺丝 Screw	建议安装扭力 Suggested Install Torque	Note
W1	Zinc Plated Steel	Zinc Plated Steel	Zinc Plated	$\phi \approx 25$ Band(9mm) 3.0 Nm Band(12mm) 3.4Nm $\phi \approx 27$ Band(9mm) 3.4 Nm Band(12mm) 3.8Nm	
W2	AISI 304/304SS/304	AISI 304/304SS/304	Zinc Plated		
W4	AISI 304	AISI 304	AISI 304	$\phi \approx 25$ Band(9mm) 4.0 Nm Band(12mm) 4.5Nm $\phi \approx 27$ Band(9mm) 4.5 Nm Band(12mm) 4.8Nm	
W5	AISI 316	AISI 316	AISI 316		

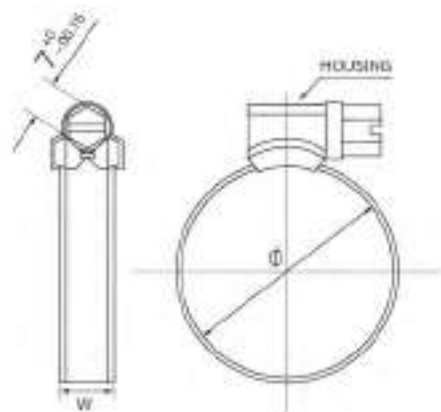




## 英式喉箍

## British Type Hose Clamp

## ▶ 英式喉箍 / British Type Hose Clamp



## ■ 技术参数-英式喉箍 / Technical Data-British Type Hose Clamp

货号/Item No.											
LTYS with welded Housing (英式点焊喉箍)				LTYS with riveted Housing (英式铆头喉箍)				LTYS with Tube Housing (英式注头喉箍)			
Part No.	Size (inch)	Size (mm)	Band Width (mm)	Part No.	Size (inch)	Size (mm)	Band Width (mm)	Size (inch)	Size (mm)	Band Width (mm)	
000	1/2	9-13	9.7	000	1/2	9-13	9.7	1/2	9-13	9.7	
M00	5/8	13-16	9.7	M00	5/8	13-16	9.7	5/8	13-16	9.7	
00	3/4	13-19	9.7	00	3/4	13-19	9.7	3/4	13-19	9.7	
0	7/8	16-22	9.7/11.7	0	7/8	16-22	9.7/11.7/12.7	7/8	16-22	9.7/11.7	
OX	1	19-25	9.7/11.7	OX	1	19-25	9.7/11.7/12.7	1	19-25	9.7/11.7	
1A	1 1/7	22-29	9.7/11.7	1A	1 1/7	22-29	9.7/11.7/12.7	1 1/7	22-29	9.7/11.7	
1	1 1/2	25-35	11.7	1	1 1/2	25-35	11.7/12.7	1 1/2	25-35	11.7	
1X	1 5/7	28-41	11.7	1X	1 5/7	28-41	11.7/12.7	1 5/7	28-41	11.7	
2A	2	31-48	11.7	2A	2	31-48	11.7/12.7	2	31-48	11.7	
2	2 1/4	38-54	11.7	2	2 1/4	38-54	11.7/12.7	2 1/4	38-54	11.7	
2X	2 1/2	44-60	11.7	2X	2 1/2	44-60	11.7/12.7	2 1/2	44-60	11.7	
3	2 3/4	50-70	11.7	3	2 3/4	50-70	11.7/12.7	2 3/4	50-70	11.7	
3X	3 1/7	60-80	11.7	3X	3 1/7	60-80	11.7/12.7	3 1/7	60-80	11.7	
4	3 1/2	70-90	11.7	4	3 1/2	70-90	11.7/12.7	3 1/2	70-90	11.7	
4X	3 8/9	80-102	11.7	4X	3 8/9	80-102	11.7/12.7	3 8/9	80-102	11.7	
5	4 1/3	95-115	11.7	5	4 1/3	95-115	11.7/12.7	4 1/3	95-115	11.7	
6	5 1/8	104-127	11.7	6	5 1/8	104-127	11.7/12.7	5 1/8	104-127	11.7	
6X	5 8/9	127-146	11.7	6X	5 8/9	127-146	11.7/12.7	5 8/9	127-146	11.7	
7	6 2/7	140-160	11.7	7	6 2/7	140-160	11.7/12.7	6 2/7	140-160	11.7	
7X	7 1/9	160-180	11.7	7X	7 1/9	160-180	11.7/12.7	7 1/9	160-180	11.7	
8	7 7/8	180-200	11.7	8	7 7/8	180-200	/	8 1/16	175-205	11.7	
/	9 1/9	210-230	11.7	/	9 1/9	210-230	/	9 2/16	200-231	11.7	
/	9 5/6	230-250	11.7	/	9 5/6	230-250	/	10 1/16	226-256	11.7	
/	11	260-280	11.7	/	11	260-280	/	11 2/16	251-282	11.7	

材质 Material	钢带 Band	箍头 Housing	螺丝 Screw	建议安装扭力 Suggested Install Torque	
W1	Zinc Plated Steel	Zinc Plated Steel	Zinc Plated Steel	$\phi \leq 29$	3.0Nm
W2	AISI SS301/SS304	AISI SS301/SS304	Zinc Plated Steel	$\phi \leq 40$	4.8Nm
W4	AISI SS301/SS304	AISI SS301/SS304	AISI SS301/SS304	$\phi \leq 44$	5.2Nm





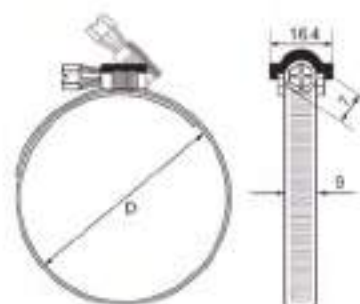
## ▶ 英式卡箍组件 / Hose Clamp Set



■ 技术参数-英式卡箍组件 / Hose Clamp Set

Part No.	BEB09
Band Width	Band of 9mm
Thickness	0.6mm
Band Length	30m
Worm Head	as per buyer's option
Material	SS430
MOQ	100rolls

## ▶ 英式释放卡箍 / Quick Release Hose Clamp



■ 技术参数-英式释放卡箍 / Technical Data-Quick Release Hose Clamp

货号 Item No.					
LTYSSP9.0					
Size (mm)	Band Width(mm)	Size (mm)	Band Width(mm)	Size (mm)	Band Width(mm)
25-100	9	25-250	9	25-500	9
25-125	9	25-275	9	25-550	9
25-150	9	25-300	9	25-600	9
25-175	9	25-350	9	25-650	9
25-200	9	25-400	9	25-700	9
25-225	9	25-450	9	25-750	9

材质 Material	钢带 Band	箍头 Housing	螺丝 Screw	建议安装扭力 Suggested Install Torque
W1	Zinc Plated Steel	Zinc Plated Steel	Zinc Plated Steel	2.6 Nm
W2	AISI SS430	Zinc Plated Steel	AISI SS430	

## ▶ 英式手柄卡箍 / British Type Hose Clamp With Handle



可根據客戶要求提供更多尺寸和材質。以上數據僅供參考。  
 More size and material can be supplied according to customers' requirements. Above data just for reference.



▶ T型V槽卡箍 / T-Bolt V Band Clamp



LATCH STYLES

NAME 名称	PICTURES 图片	KNOB AND T-HANDLE DESCRIPTION 功能介绍
T-BOLT LATCH T型螺栓锁		This T-bolt latch is used for permanent or semi-permanent applications and/or safety on pressurized systems. The T-bolt latch is our most economical latch. 这种锁具用于永久或半永久应用中或安全加压系统中；这种锁具是我们最经济的一种锁具。
QUICK RELEASE LATCH 快速释放锁		This quick release latch is used for ease of disassembly and is required when the ability to replace bolts is desired. 这种锁具易于拆卸，并且可以按照要求用T型螺栓来替换。
SADDLE QUICK RELEASE LATCH 鞍座式快速释放锁		The saddle quick release latch is also used for ease of disassembly and where the ability to replace bolts is desired. It is not recommended for diameter larger than 10 in. (254 mm) due to transition band interference. 这种锁具也易于拆卸，也可以按照要求替换螺栓。由于耳轴/摩擦的干扰，不建议用于直径大于10" (254mm) 卡箍。
QUICK RELEASE LATCH 快速释放锁		This quick release latch is also used for ease of disassembly and where the ability to replace bolts is desired. 这种锁具也易于拆卸，也可以按照要求替换螺栓。





## BOLT CODE

CODE 编号	THREAD SIZE 螺纹尺寸	BOLT DESCRIPTION 螺栓描述	PICTURE 图片
LTB1	10-32 1/4-28 M6 X 1 5/16-24 3/8-16 1/2-13	4037 Alloy Heat Treated to 125,000 - 145,000 psi, Zinc Plated 4037合金热处理 125000-145000psi 铁镀锌	
LTB2	10-32 1/4-20 1/4-28 5/16-18 5/16-24 3/8-16 10-32	18-8 Stainless Steel (302 or 305) 18-8不锈钢 (302或305)	
LTB3	1/4-28 5/16-24	431, 420 or 410 Stainless Steel Heat Treated to 140,000 to 160,000 psi 不锈钢431,420,410热处理 140000-160000psi	
LTB4	10-32 1/4-28	A286 Stainless Steel, 130,000 psi minimum 不锈钢A286, 最小130000psi	
LTB5	1/4-28 M6 X 1 M8 X 1.25	316 Stainless Steel 不锈钢316	

## KNOB CODE

CODE 型号	KNOB AND T-HANDLE DESCRIPTION 功能介绍	PICTURES 图片
LTK1	Knob for hand tightening, plastic with Brass insert, 1 in. long [25.4 mm] 手紧旋钮, 塑料外壳, 黄铜插入件, 1" 长 (25.4mm)	
LTK2	Knob for hand tightening, plastic with Brass insert, 1.75 in. long [44.5 mm] 手紧旋钮, 塑料外壳, 黄铜插入件, 1.75" 长 (44.5mm)	
LTK3	T-Handle for hand tightening, Steel, Cadmium or Zinc Plated, 3 in. long [76.2 mm] 手紧旋钮, 钢, 镀锌或铁镀锌, 3" 长 (76.2mm)	

## NUT CODE

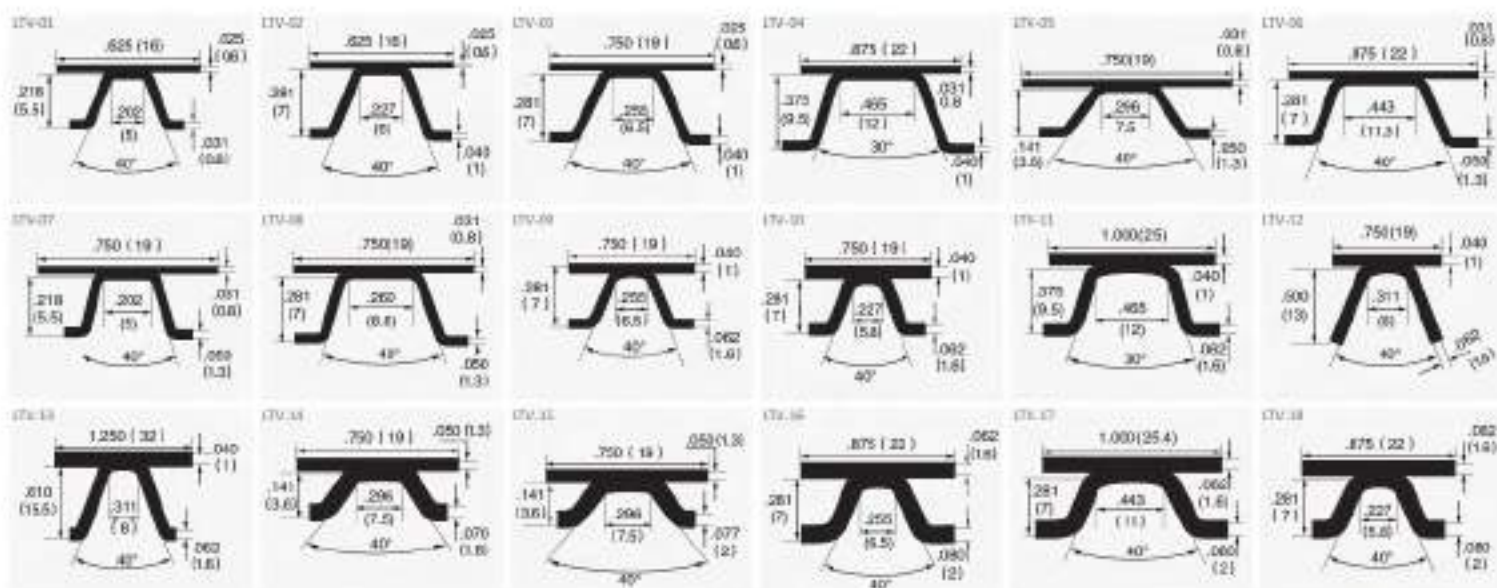
CODE 型号	NUT DESCRIPTION 功能介绍	TEMP RATING 温度等级	SELF-LOCKING 是否自锁	PICTURES 图片
LTS1	Steel, self-locking, nylon insert, Cadmium or Zinc Plated 钢, 自锁, 尼龙镶嵌, 镀锌或镀锌	250° F [120° C]	Yes	
LTS2	All metal, Steel, self-locking, collar or short beam design, Cadmium or Zinc Plated 全铁, 钢, 自锁, 短梁设计, 镀锌或镀锌	550° F [290° C]	Yes	
LTS3	All metal, 18-8 Stainless Steel*, self-locking, collar or short beam design, Silver Plated 全铁, 18-8不锈钢, 自锁, 短梁设计, 镀银	800° F [425° C]	Yes	
LTS4	All metal, 347 Stainless Steel*, self-locking, collar or short beam design, Silver Plated 全铁, 347不锈钢, 自锁, 短梁设计, 镀银	1200° F [650° C]	Yes	
LTS5	18-8 Stainless Steel, self-locking, nylon insert, Silver Plated 18-8不锈钢, 自锁, 尼龙镶嵌, 镀银	250° F [120° C]	Yes	
LTS6	Stainless Steel Hex Nut, Silver Plated 不锈钢六角螺母, 镀银	800° F [425° C]	No	
LTS7	Steel Hex Nut, Zinc Plated 钢六角螺母, 镀锌	-	No	

可根据客户要求提供更多尺寸和材质。以上数据仅供参考  
 More size and material can be supplied according to customers' requirements. Above data just for reference.



# 排气系统卡箍

# Exhaust System Clamp





▶ T型卡箍 / T-Bolt Hose Clamp

▶ T型弹簧卡箍 / T-Bolt Spring Loaded Clamp



■ 技术参数-T型卡箍、T型弹簧卡箍 / Technical Data - T-Bolt Hose Clamp, T-Bolt Spring Loaded Clamp

货号 Item No.							
T-bolt Hose Clamp (T型卡箍)			T-Bolt Spring Loaded Clamp (T型弹簧卡箍) Standard Duty With Small Spring			TBolt Spring Loaded Clamp (T型重型弹簧卡箍) Heavy Duty With Large Spring	
SAE No.	规格 Size		SAE No.	规格 Size		规格 Size	
	Inch	mm		Inch	mm	Inch	mm
/	1 1/4-1 7/16	32-37	/	/	/	2 1/8-2 7/16	54-62
/	1 3/8-1 9/16	35-40	/	/	/	2 1/4-2 9/16	57-65
/	1 1/2-1 11/16	38-43	/	/	/	2 1/8-2 11/16	60-68
/	1 5/8-1 7/8	41-46	/	/	/	2 1/2-2 13/16	64-72
28	1 3/4 -2	44-52	/	/	/	2 5/8-2 15/16	67-75
30	1 13/16-2 1/16	46-54	/	/	/	2 3/4-3 1/16	70-78
34	1 15/16 -2 1/4	50-58	34	1 15/16-2 1/4	50-58	2 7/8-3 3/16	73-81
40	2 1/8-2 7/16	54-62	40	2 1/8-2 7/16	54-62	3-3 5/16	76-84
46	2 5/16-2 5/8	59-67	46	2 5/16-2 5/8	59-67	3 1/16-3 3/8	78-86
52	2 1/2-2 13/16	64-72	52	2 1/2-2 13/16	64-72	3 1/8-3 7/16	80-87
58	2 11/16-3	69-77	58	2 11/16-3	69-77	3 1/4-3 9/16	83-91
64	2 7/8-3 3/16	73-81	64	2 7/8-3 3/16	73-81	3 3/8-3 11/16	86-94
70	3 1/16-3 3/8	78-86	70	3 1/16-3 3/8	78-86	3 1/2-3 13/16	89-97
76	3 1/4-3 9/16	83-91	76	3 1/4-3 9/16	83-91	3 9/16-3 7/8	91-98
82	3 7/16-3 3/4	88-96	82	3 7/16-3 3/4	88-96	3 5/8-3 15/16	92-100
88	3 5/8-3 15/16	92-100	88	3 5/8-3 15/16	92-100	3 3/4-4 1/16	95-103
94	3 13/16-4 1/8	97-105	94	3 13/16-4 1/8	97-105	4 1/16-4 3/8	103-111
100	4-4 5/16	102-110	100	4-4 5/16	102-110	4 1/8-4 7/16	105-122
108	4 1/4-4 9/16	108-116	108	4 1/4-4 9/16	108-116	4 1/2-4 9/16	108-116
116	4 1/2-4 13/16	114-122	116	4 1/2-4 13/16	114-122	4 1/2-4 13/16	114-122
124	4 3/4-5 1/16	121-129	124	4 3/4-5 1/16	121-129	4 9/16-4 7/8	116-124
132	5-5 5/16	127-135	132	5-5 5/16	127-135	5-5 5/16	127-135
140	5 1/4-5 9/16	134-142	140	5 1/4-5 9/16	134-142	5 1/4-5 9/16	133-141
148	5 1/2-5 13/16	140-148	148	5 1/2-5 13/16	140-148	5 1/2-5 13/16	140-148
156	5 3/4-6 1/16	146-154	156	5 3/4-6 1/16	146-154	5 3/4-6 1/16	146-154
164	6-6 5/16	153-161	164	6-6 5/16	153-161	6-6 5/16	152-160
172	6 1/4-6 9/16	159-167	172	6 1/4-6 9/16	159-167	6 1/4-6 9/16	159-167
180	6 1/2-6 13/16	165-173	180	6 1/2-6 13/16	165-173	6 1/2-6 13/16	165-173

带宽 Bandwidth mm	材质 Material	钢带 Band	舌板 Bridge	三通管 Transition	三通管 Cap	弹簧 Spring	螺栓 Bolt	螺母 Nut	建议安装扭力 Suggested Install Torque
19	W2	AISI S8301/SS304	AISI S8301/SS304	AISI S5301/SS304	AISI SS304	Zinc plated steel	Zinc plated steel	Zinc plated steel	9 Nm
19	W4	AISI S8301/SS304	AISI S8301/SS304	AISI S5301/SS304	AISI SS304	/	AISI S3304	AISI SS304	

可根据客户要求提供更多尺寸和材质。以上数据仅供参考  
More size and material can be supplied according to customers' requirements. Above data just for reference.



# 排气系统卡箍 Exhaust System Clamp

## 排气系统 / Exhaust Clamp

The pre-formed wideband exhaust clamp with step is designed for fast, easy and accurate installation. There is no need to separate pipes or exhaust members before clamping.

Diameter Range: 2" -6" (50.8mm-152.4mm)

Materials: Aluminum steel and bright finish 304 stainless steel

Pre-formed band with step provides fast, accurate installation

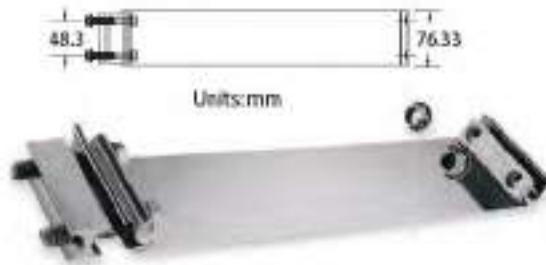


Dimension	
Inch	mm
2	51
2.25	57
2.5	64
2.75	70
3	76
3.5	89
4	101
4.5	114
5	127
6	152

Service-specific sealing solution that does not require the use of slotted pipe ends.

For Lap and Butt Style Joint Connections Unique Sealing Performance Easy, Fast Accurate Installation

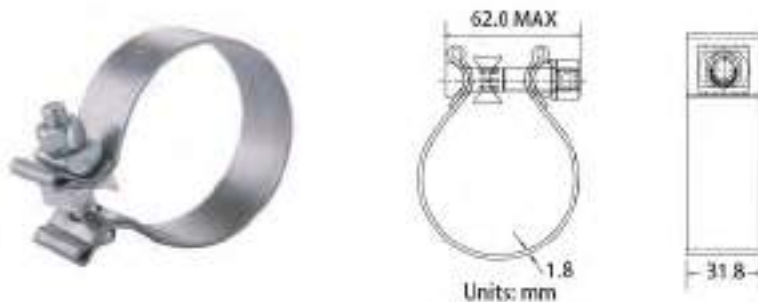
304 Stainless Steel Diameter Range 2" -8"



Nominal Joint Diameter	
Inch	mm
2	50.8
2 1/4	57.2
2 1/2	63.5
2 3/4	69.9
3	76.2
3 1/2	88.9
4	101.6
4 1/2	114.3
5	127
6	152.4
7	177.8
8	203.2

Durable sealing performance for slotted overlap joint automotive exhaust systems.

For Slotted Lap Joint Connection Superior Clamp Load Capacity Reaction Block Technology Diameter Range 1 3/4" -7"

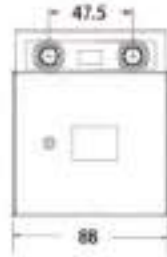


Nominal Joint Diameter	
Inch	mm
1 3/4	44.5
2	50.8
2 1/4	57.2
2 1/2	63.5
2 3/4	69.9
3	76.2
3 1/2	88.9
4	101.6
4 1/2	114.3
5	127
6	152.4
7	177.8





- Pre-assembled sealing performance and superior clamp load capacity without pipe overlap.  
 For Butt Joint Style Connections 15mm Max Gap Allows 33.5-44mm Insertions per Pipe  
 Diameter Range 1 3/4-3 1/2"



Units: mm

Nominal Joint Diameter (Pipe O.D.)	
Inch	mm
2 1/4	57
2 1/2	63
2 3/4	69
3	76
3 1/2	90

### Wide DPF Coupler

- Large Diameter Diesel Particulate Filter (DPF) clamp creates a reliable joint seal between separate sections of DPF.  
 For Butt Joint Style Connections Tail Hardware for Socket Clearance Low Profile for Tight Packaging Space Diameter Ranges 10 9/16" - 13 9/16"



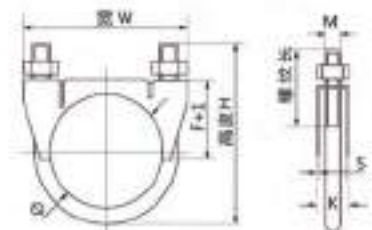
Units: mm

Nominal Joint Diameter (Pipe O.D.)	
Inch	mm
10 9/16	267.6
11 13/16	306.75
13 9/16	345.2

## U型卡箍 / U-bolt Clamp

### 技术参数-U型卡箍 / Technical Data - U-bolt clamp

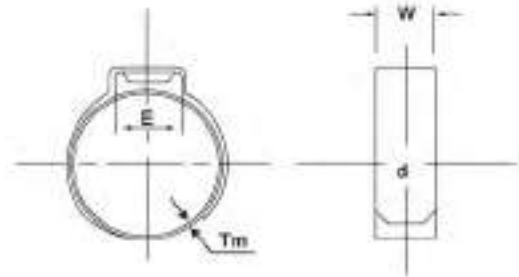
款式 type	规格/型号 size Ø	高度H	宽度W	螺纹长L	F	M	K	S	螺母样式NUT SIZE
A式	36	63	63	25	28.5	M8	15	2	六角螺母
	38	64	64	25	29				
	42	65	70	25	31				
	45	73	73	30	35				
	48	77	76	30	34				
	50	79	78	30	36				
	54	83	82	30	37				
	58	87	86	30	40				
	63.5	75	92	30	45				
	65	94	93	30	44				
B式	70	95	100	40	45	M10	17	3	六角法兰面螺母
	73	110	102	40	45				
	94	128	128	45	60				
	106	150	138	45	65				



可根据客户要求提供更多尺寸和材质。以上数据仅供参考  
 More size and material can be supplied according to customers' requirements. Above data just for reference.

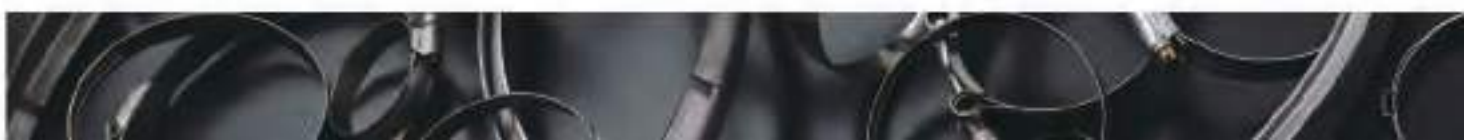


▶ 单耳卡箍 / Ear Clamp (ss304)



■ 技术参数-单耳卡箍 / Technical Data-Ear Clamp (ss304)

Part No.	Dimension (mm)	Part No.	Dimension (mm)	Part No.	Dimension (mm)
6.5-505R	5.5-6.5	22.6-706R	19.4-22.6	66.5-706R	63.3-66.5
7.0-505R	5.8-7.0	23.5-706R	20.3-23.5	68.0-706R	64.8-68.0
8.0-505R	6.8-8.0	24.1-706R	20.9-24.1	69.5-706R	66.3-69.5
8.7-505R	7.0-8.7	25.6-706R	22.4-25.6	71.0-706R	67.8-71.0
9.0-505R	7.3-9.0	27.1-706R	23.9-27.1	72.5-706R	69.3-72.5
9.5-505R	7.8-9.5	28.6-706R	25.4-28.6	74.0-706R	70.8-74.0
10.0-505R	8.3-10.0	30.1-706R	26.9-30.1	75.5-706R	72.3-75.5
10.5-505R	8.8-10.5	30.8-706R	27.6-30.8	77.0-706R	73.8-77.0
10.9-505R	9.2-10.9	31.8-706R	28.4-31.6	78.5-706R	75.3-78.5
11.3-505R	9.6-11.3	33.1-706R	29.9-33.1	80.0-706R	76.8-80.0
11.8-505R	10.1-11.8	34.6-706R	31.4-34.6	81.5-706R	78.3-81.5
11.9-706R	9.4-11.9	36.1-706R	32.9-36.1	83.0-706R	79.8-83.0
12.3-706R	9.8-12.3	37.6-706R	34.4-37.6	84.5-706R	81.3-84.5
12.8-706R	10.3-12.8	38.1-706R	34.9-38.1	86.0-706R	82.8-86.0
13.3-706R	10.8-13.3	39.6-706R	36.4-39.6	87.5-706R	84.3-87.5
13.8-706R	11.3-13.8	41.0-706R	37.8-41.0	89.0-706R	85.8-89.0
14.0-706R	11.5-14.0	42.5-706R	39.3-42.5	90.5-706R	87.3-90.5
14.5-706R	12.0-14.5	44.0-706R	40.8-44.0	92.0-706R	88.8-92.0
14.8-706R	12.3-14.8	45.5-706R	42.3-45.5	93.5-706R	90.3-93.5
15.3-706R	12.8-15.3	47.0-706R	43.8-47.0	95.0-706R	91.8-95.0
15.7-706R	13.2-15.7	48.5-706R	45.3-48.5	96.5-706R	93.3-96.5
16.2-706R	13.7-16.2	50.0-706R	46.8-50.0	98.0-706R	94.8-98.0
16.6-706R	14.1-16.6	51.5-706R	48.3-51.5	99.5-706R	96.3-99.5
16.8-706R	14.3-16.8	53.0-706R	49.8-53.0	101.0-706R	97.8-101.0
17.0-706R	14.5-17.0	54.5-706R	51.3-54.5	102.5-706R	99.3-102.5
17.8-706R	14.6-17.8	56.0-706R	52.8-56.0	104.0-706R	100.8-104.0
18.0-706R	14.8-18.0	57.5-706R	54.3-57.5	105.5-706R	102.3-105.5
18.5-706R	15.3-18.5	59.0-706R	56.8-59.0	108.5-706R	105.3-108.5
19.2-706R	18.0-19.2	60.5-706R	57.3-60.5	110.0-706R	106.8-110.0
19.8-706R	16.5-19.8	62.0-706R	58.8-62.0	111.5-706R	108.3-111.5
21.0-706R	17.5-21.0	63.5-706R	60.3-63.5	113.0-706R	109.8-113.0







■ 技术参数-单耳卡箍 / Technical Data-Ear Clamp (ss304)

Part No.	Dimension (mm)	Part No.	Dimension (mm)	Part No.	Dimension (mm)
29.0-1008R	25.8-29.0	62.0-1010R	58.8-62.0	91.5-1010R	88.3-91.5
29.5-1008R	26.3-29.5	63.5-1010R	60.3-63.5	92.0-1010R	88.2-92.0
30.5-1008R	27.3-30.5	65.0-1010R	61.8-65.0	92.5-1010R	89.3-92.5
31.0-1008R	27.8-31.0	65.5-1010R	62.3-65.5	93.0-1010R	89.8-93.0
31.5-1008R	28.3-31.5	66.5-1010R	63.3-66.5	93.5-1010R	90.3-93.5
32.0-1008R	28.8-32.0	68.0-1010R	64.8-68.0	94.0-1010R	90.8-94.0
32.5-1008R	29.3-32.5	69.0-1010R	65.8-69.0	95.0-1010R	91.8-95.0
33.0-1008R	29.8-33.0	69.5-1010R	66.3-69.5	95.5-1010R	92.3-95.5
33.5-1008R	30.3-33.5	71.0-1010R	67.8-71.0	96.0-1010R	92.8-96.0
34.0-1008R	30.8-34.0	72.5-1010R	69.3-72.5	96.5-1010R	93.3-96.5
34.5-1008R	31.3-34.5	74.0-1010R	70.8-74.0	97.5-1010R	94.3-97.5
35.0-1008R	31.8-35.0	75.5-1010R	72.3-75.5	98.0-1010R	94.8-98.0
36.0-1008R	32.8-36.0	77.0-1010R	73.8-77.0	98.5-1010R	95.3-98.5
36.5-1008R	33.3-36.5	78.5-1010R	75.3-78.5	99.5-1010R	96.3-99.5
37.0-1008R	33.8-37.0	80.0-1010R	76.8-80.0	101.0-1010R	97.8-101.0
38.0-1008R	34.8-38.0	81.5-1010R	78.3-81.5	102.0-1010R	98.8-102.0
39.5-1008R	36.8-39.5	82.0-1010R	78.8-82.0	102.5-1010R	99.3-102.5
40.0-1008R	36.8-40.0	83.0-1010R	79.8-83.0	104.0-1010R	100.8-104.0
41.0-1008R	37.8-41.0	83.5-1010R	80.3-83.5	105.5-1010R	102.3-105.5
42.5-1008R	39.3-42.5	84.0-1010R	80.8-84.0	107.0-1010R	103.8-107.0
43.0-1008R	39.8-43.0	84.5-1010R	81.3-84.5	108.5-1010R	105.3-108.5
44.0-1008R	40.8-44.0	85.0-1010R	81.8-85.0	110.0-1010R	106.8-110.0
45.5-1008R	42.3-45.5	85.5-1010R	82.3-85.5	111.5-1010R	108.3-111.5
47.0-1008R	43.8-47.0	86.0-1010R	82.8-86.0	113.0-1010R	109.8-113.0
48.5-1008R	45.3-48.5	86.5-1010R	83.3-86.5	114.5-1010R	111.3-114.5
50.0-1008R	46.8-50.0	87.5-1010R	84.3-87.5	115.0-1010R	111.8-115.0
51.5-1008R	48.3-51.5	88.0-1010R	84.8-88.0	116.0-1010R	112.8-116.0
53.0-1008R	49.8-53.0	89.0-1010R	85.8-89.0	117.5-1010R	114.3-117.5
54.5-1008R	51.3-54.5	90.0-1010R	86.8-90.0	119.0-1010R	115.8-119.0
56.0-1008R	52.8-56.0	90.5-1010R	87.3-90.5	120.5-1010R	117.3-120.5
57.5-1008R	54.3-57.5	91.0-1010R	87.8-91.0	121.5-1010R	118.3-121.5
59.0-1008R	55.8-59.0				
60.5-1008R	55.3-60.5				



Part No.	Dimension Range	Material	Band Width	Band Thickness
A045	25.0~45.0mm	Stainless Steel AISI 304	7mm	0.6mm
A120	60.0~120mm	Stainless Steel AISI 304	7mm	0.6mm



可根据客户要求提供更多尺寸和材质。以上数据仅供参考  
 More size and material can be supplied according to customers' requirements. Above data just for reference.



▶ 无耳无极卡箍 / Low Profile Clamp



■ 技术参数-无耳无极卡箍 / Technical Data-Low Profile Clamp

Part No.	Normal Situation Dimension (mm)	Working Situation Dimension (mm)
64.4-706R	64.4	60
64.9-706R	64.9	60.5
65.4-706R	65.4	61
65.9-706R	65.9	61.5
66.4-706R	66.4	62
...	...	...
...	...	...
112.4-706R	112.4	108
112.9-706R	112.9	108.5
113.4-706R	113.4	109
113.9-706R	113.9	109.5
114.4-706R	114.4	110

Part No.	Normal Situation Dimension (mm)	Working Situation Dimension (mm)
22.0-906R	22	19.5
22.5-906R	22.5	20
23.0-906R	23	20.5
23.5-906R	23.5	21
24.0-906R	24	21.5
...	...	...
...	...	...
110.5-906R	110.5	108
111.0-906R	111	108.5
111.5-906R	111.5	109
112.0-906R	112	109.5
112.5-906R	112.5	110

注：带宽7毫米，带厚6毫米（706R），直径范围66.9毫米至111.9毫米，卡箍每0.5毫米一个规格按需求提供

带宽9毫米，带厚6毫米（906R），直径范围24.5毫米至110毫米，卡箍每0.5毫米一个规格按需求提供

Note: band 7mm, thickness 6mm---706R Demention range from 66.9mm to 111.9mm, clamps can be supplied per 0.5mm.  
 band 9mm, thickness 6mm--- 906R Demention range from 24.5mm to 110mm, clamps can be supplied per 0.5mm.





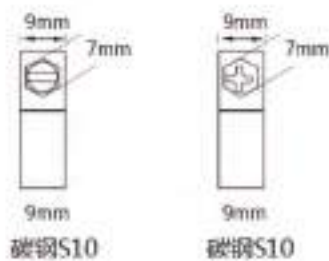
## ▶ 双耳卡箍 / 2-Ear Clamp

■ 技术参数-双耳卡箍 / Technical Data-2-Ear Clamp

Part No.	Dimension (mm)	Band Thickness
LTSR07	5-7	6±0.2
LTSR09	7-9	7±0.2
LTSR11	9-11	7±0.2
LTSR13	11-13	7±0.2
LTSR15	13-15	7.5±0.2
LTSR18	15-18	7.5±0.2
LTSR20	17-20	7.5±0.2
LTSR23	20-23	9±0.2
LTSR25	21-25	9±0.2
LTSR27	23-27	9±0.2
LTSR28	25-28	9±0.2
LTSR31	28-31	9.5±0.2
LTSR34	31-34	9.5±0.2
LTSR37	34-37	9.5±0.2
LTSR40	37-40	10±0.2
LTSR43	41-43	10±0.2
LTSR46	43-46	10±0.2



## ▶ 迷你卡箍 / Mini Clamp



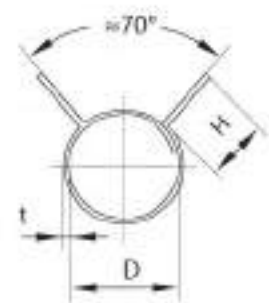
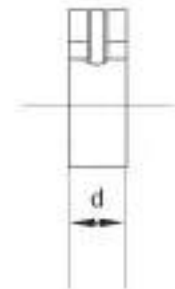
■ 技术参数-迷你卡箍 / Technical Data-Mini Clamp

Part No.	Dimension (mm)	Band Thickness (mm)	Part No.	Dimension (mm)	Band Thickness (mm)
LTMN08	6-8	0.6	LTMN22	20-22	0.7
LTMN09	7-9	0.6	LTMN23	21-23	0.7
LTMN10	8-10	0.6	LTMN24	22-24	0.7
LTMN11	9-11	0.6	LTMN25	23-25	0.7
LTMN12	10-12	0.6	LTMN26	24-26	0.7
LTMN13	11-13	0.6	LTMN27	25-27	0.7
LTMN14	12-14	0.6	LTMN28	26-28	0.7
LTMN15	13-15	0.6	LTMN29	27-29	0.7
LTMN16	14-16	0.6	LTMN30	28-30	0.7
LTMN17	15-17	0.6	LTMN31	29-31	0.7
LTMN18	16-18	0.6	LTMN32	30-32	0.7
LTMN19	17-19	0.6	LTMN33	31-33	0.7
LTMN20	18-20	0.6	LTMN34	32-34	0.7
LTMN21	19-21	0.6	LTMN48	46-48	0.7

可根据客户要求提供更多尺寸和材质。以上数据仅供参考  
 More size and material can be supplied according to customers' requirements. Above data just for reference.



▶ 弹簧卡箍 / Spring Clamp



Spring clamp

■ 技术参数-T弹簧卡箍 / Technical Data-Spring Clamp

Part No.	D (mm)	S (mm)	B (mm)	D1 (mm)	D2 (mm)	Part No.	D (mm)	S (mm)	B (mm)	D1 (mm)	D2 (mm)
LTTH7.0	7.0	0.6	6.0	7.6	8.3	LTTH15.0	15.0	1.0	10.0	16.2	17.0
LTTH8.0	8.0			8.6	9.5	LTTH15.5	15.5			16.7	18.4
LTTH8.5	8.5			9.2	10.2	LTTH16.0	16.0			17.3	19.1
LTTH9.0	9.0			9.7	10.7	LTTH16.5	16.5			17.9	19.7
LTTH9.5	9.5	0.8	8.0	10.3	11.3	LTTH17.0	17.0		18.4	20.2	
LTTH10.0	10.0			10.8	11.9	LTTH17.5	17.5		18.9	20.9	
LTTH10.5	10.5			11.4	12.5	LTTH18.0	18.0		19.4	21.4	
LTTH11.0	11.0			11.9	13.1	LTTH18.5	18.5		20.0	22.1	
LTTH11.5	11.5			12.4	13.7	LTTH19.0	19.0		20.5	22.6	
LTTH12.0	12.0			13.0	14.3	LTTH19.5	19.5		21.1	23.3	
LTTH12.5	12.5			13.5	14.9	LTTH20.0	20.0		21.6	23.8	
LTTH13.0	13.0			14.0	15.5	LTTH20.5	20.5		22.2	24.4	
LTTH13.5	13.5	10.0	10.0	14.5	16.1	LTTH21.0	21.0	1.2	12.0	22.7	25.0
LTTH14.0	14.0			15.1	16.7	LTTH23.0	23.0			24.8	27.4
LTTH14.5	14.5			15.7	17.3	LTTH24.0	24.0			25.9	28.5
						LTTH25.0	25			27.0	29.8





**CLIC**



■ 技术参数-CLIC / Technical Data-CLIC

Part No.	Diameter (Inch)	Diameter (mm)	Band Width (mm)	Band Thickness (mm)
8	0.33-0.37	8.38-9.40	5.8	0.5
8.5	0.35-0.41	8.89-10.41		
9	0.37-0.43	9.40-10.92		
9.5	0.39-0.45	9.91-11.43		
10	0.41-0.47	10.41-11.94		
10.5	0.43-0.49	10.92-12.45		
11	0.45-0.51	11.43-12.95		
11.5	0.47-0.53	11.94-13.46		
12	0.49-0.55	12.45-13.97		
12.5	0.51-0.55	12.95-13.97		
13	0.53-0.59	13.46-14.99		
13.5	0.55-0.60	13.97-15.24		
14	0.57-0.62	14.48-15.75	7.8	
14.5	0.59-0.64	14.99-16.26		
15	0.60-0.66	15.24-16.76		
15.5	0.62-0.68	15.75-17.27		
16	0.64-0.70	16.26-17.78		
16.5	0.66-0.72	16.76-18.29		
17	0.68-0.74	17.27-18.80		
17.5	0.70-0.76	17.78-19.30		
18	0.72-0.76	18.29-19.30		
18.5	0.74-0.80	18.80-20.32		
19	0.76-0.82	19.30-20.83		
19.5	0.78-0.84	19.81-21.34		
20	0.80-0.86	20.32-21.84		
20.5	0.82-0.90	20.83-22.86		
21	0.84-0.92	21.34-23.37		
21.5	0.86-0.94	21.84-23.88		
22	0.88-0.96	22.35-24.38		
23	0.92-0.99	23.37-25.15		
23.5	0.94-1.01	23.88-25.65		

可根据客户要求提供更多尺寸和材质。以上数据仅供参考  
 More size and material can be supplied according to customers' requirements. Above data just for reference.



# 强力及其他 Bolts Power Clamp and Others

## 实心强力空心强力卡箍 / Heavy Duty Hose Clamp



■ 技术参数-实心强力空心强力卡箍 / Technical Data-Heavy Duty Hose Clamp with one bolt

货号 Item No.							
Heavy Duty Hose Clamp With one Bolt 实心强力卡箍		Heavy Duty Hose Clamp With Hollow Shaft 空心强力卡箍		Band Width (mm)	Screw	Thickness	
Part No.	Size(mm)	Part No.	Size(mm)			W1(mm)	W4(mm)
LTSX19	17-19	LTKX19	17-19	18	M5*40	0.6	0.6
LTSX21	19-21	LTKX21	19-21				
LTSX22	20-22	LTKX22	20-22				
LTSX23	21-23	LTKX23	21-23				
LTSX25	23-25	LTKX25	23-25				
LTSX28	26-28	LTKX28	26-28				
LTSX31	29-31	LTKX31	29-31	20	M6*50	0.8	0.6
LTSX35	32-35	LTKX35	32-35				
LTSX39	36-39	LTKX39	36-39				
LTSX41	38-41	LTKX41	38-41				
LTSX43	40-43	LTKX43	40-43				
LTSX46	43-46	LTKX46	43-46				
LTSX47	44-47	LTKX47	44-47	22	M6*55	1.2	0.8
LTSX51	48-51	LTKX51	48-51				
LTSX55	52-55	LTKX55	52-55				
LTSX59	56-59	LTKX59	56-59				
LTSX63	60-63	LTKX63	60-63				
LTSX67	64-67	LTKX67	64-67				
LTSX73	68-73	LTKX73	68-73	24	M8*70	1.5	0.8
LTSX79	74-79	LTKX79	74-79				
LTSX80	76-80	LTKX80	76-80				
LTSX85	80-85	LTKX85	80-85				
LTSX91	86-91	LTKX91	86-91				
LTSX97	92-97	LTKX97	92-97				
LTSX103	98-103	LTKX103	98-103	26	M8*80	1.5	0.8
LTSX112	104-112	LTKX112	104-112				
LTSX121	113-121	LTKX121	113-121				
LTSX130	122-130	LTKX130	122-130				
LTSX139	131-139	LTKX139	131-139				
LTSX148	140-148	LTKX148	140-148				
LTSX161	149-161	LTKX161	149-161	26	M10*110	1.7	1
LTSX174	162-174	LTKX174	162-174				
LTSX187	175-187	LTKX187	175-187				
LTSX200	188-200	LTKX200	188-200				
LTSX213	201-213	LTKX213	201-213				
LTSX226	214-226	LTKX226	214-226				
LTSX239	227-239	LTKX239	227-239	26	M10*110	1.7	1
LTSX252	240-252	LTKX252	240-252				

材质 Material	钢带 Band	舌板 Bridge	轴 Trunnion	螺栓 Bolt	建议安装扭力 Suggested Install Torque
W1	zinc plated steel	zinc plated steel	zinc plated steel	zinc plated steel	φ ≦ 28 4.5Nm
W4	AISI SS301/SS304	AISI SS301/SS304	AISI SS301/SS304	A2-70	φ ≦ 67 9Nm φ ≦ 130 18Nm φ ≦ 252 29Nm

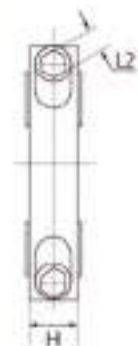
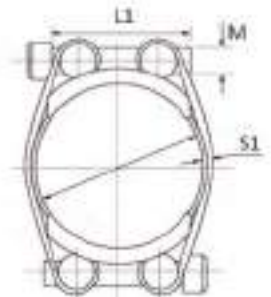




## ▶ 双头强力喉箍 / Double Bolts Power Clamp

■ 技术参数-双头强力喉箍 / Technical Data-Double Bolts Power Clamp

Double Bolts and Double Band Super Clamps 双头强力喉箍				
Part No	Dimension Range (mm)	Bandwidth (mm)	Band Thickness (mm)	ScREW
LTST40	30-40	20	1.0	M6*45
LTST45	35-45	20	1.0	M6*45
LTST50	40-50	20	1.0	M6*45
LTST55	45-55	20	1.0	M6*45
LTST60	50-60	20	1.0	M6*45
LTST65	55-65	20	1.0	M6*45
LTST70	60-70	20	1.0	M6*45
LTST75	65-75	20	1.0	M6*45
LTST80	70-80	20	1.0	M6*45
LTST85	75-85	24	1.2	M8*60
LTST90	80-90	24	1.2	M8*60
LTST95	85-95	24	1.2	M8*60
LTST100	90-100	24	1.2	M8*60
LTST105	95-105	24	1.2	M8*60
LTST110	100-110	24	1.2	M8*60
LTST115	105-115	24	1.2	M8*60
LTST120	110-120	24	1.2	M8*60
LTST130	120-130	24	1.2	M8*60
LTST135	125-135	24	1.2	M8*60
LTST140	130-140	24	1.2	M8*60
LTST145	135-145	24	1.2	M8*60
LTST150	140-150	24	1.2	M8*60
LTST155	145-155	24	1.2	M8*60
LTST160	150-160	24	1.2	M8*60
LTST165	155-165	24	1.2	M8*60
LTST170	160-170	24	1.2	M8*60
LTST175	165-175	24	1.2	M8*60
LTST180	170-180	24	1.2	M8*60
LTST190	180-190	24	1.2	M8*60
LTST200	190-200	24	1.2	M8*60
LTST210	200-210	24	1.2	M8*60
LTST220	210-220	24	1.2	M8*60
LTST230	220-230	24	1.2	M8*60
LTST240	230-240	24	1.2	M8*60
LTST250	240-250	24	1.2	M8*60
LTST260	250-260	24	1.2	M8*60
LTST270	260-270	24	1.2	M8*60
LTST280	270-280	24	1.2	M8*60
LTST290	280-290	24	1.2	M8*60
LTST300	290-300	24	1.2	M8*60



材质 Material	钢带 Band	舌板 Bridge	轴 Trunnion	螺栓 Bolt	建议安装扭力 Suggested Install Torque
W1	zinc plated steel	zinc plated steel	zinc plated steel	zinc plated steel	φ # 28 4.5N·m φ # 67 9N·m φ # 130 18N·m φ # 252 20N·m
W4	AISI S301/304	AISI S301/304	AISI S301/304	A2-70	
W5	AISI S316	AISI S316	AISI S316	A2-70	

可根据客户要求提供更多尺寸和材质。以上数据仅供参考  
 More size and material can be supplied according to customers' requirements. Above data just for reference.

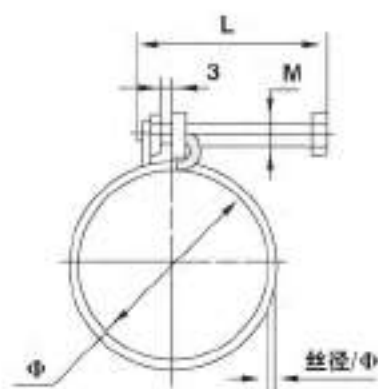


## 强力及其他 Bolts Power Clamp and Others

### ▶ 双钢丝卡箍 / Double Wire Hose Clamp

■ 技术参数-双钢丝卡箍 / Technical Data-Double Wire Hose Clamp

Wire Hose Clamp 双钢丝卡箍				
Q672 Size No.	规格 Size		丝径 (mm) Wire Diameter	螺钉尺寸 Screw
	Inch	mm		
14	7/16-9/16	11-14	1.2	M5*35
16	1/2-5/8	13-16		
18	9/16-11/16	15-18		
20	11/16-13/16	17-20		
22	6/8-7/8	19-22	1.8	
24	13/16-15/16	20-24		
26	7/8-1	22-26		
28	15/16-1 1/8	24-28		
30	1-1 3/16	26-30	2.2	M6*50
32	1 1/8-1 1/4	28-32		
35	1 1/4-1 3/8	31-35		
38	1 5/16-1 1/2	34-38		
40	1 3/8-1 9/16	35-40		
42	1 7/16-1 5/8	37-42		
45	1 9/16-1 3/4	40-45		
48	1 11/16-1 7/8	43-48		
50	1 3/4-2	45-50		
52	1 7/8-2 1/16	47-52		
55	2-2 3/16	50-55		
58	2 1/16-2 1/4	53-58		
60	2 3/16-2 3/8	55-60		
62	2 1/8-2 7/16	54-62		
65	2 3/8-2 9/16	60-65		
68	2 1/2-2 11/16	63-68		
70	2 9/16-2 3/4	65-70		
75	2 3/4-2 15/16	70-75		
80	2 15/16-3 1/8	75-80		
85	3 1/8-3 3/8	80-85		
90	3 5/16-3 9/16	84-90		
95	3 1/2-3 3/4	89-95		
100	3 11/16-3 15/16	94-100		
105	3 7/8-4 1/8	98-105		
110	4 1/16-4 5/16	103-110		
115	4 1/4-4 1/2	108-115		
120	4 7/16-4 3/4	113-120		





▶ 不锈钢扎带 / **Throbbing Clamp**



■ 技术参数-不锈钢扎带 / Technical Data-Throbbing Clamp

Throbbing Clamps 不锈钢扎带					
Part No.	Dimension (mm)	Dimension (inch)	Band Width	Band Width	Band Width
THC32	32	1 1/4"	6.3	15	/
THC35	35	1 3/8"	6.3	15	/
THC38	38	1 1/2"	6.3	15	/
THC44	44	1 3/4"	6.3	15	/
THC51	51	2"	6.3	15	19
THC57	57	2 1/4"	6.3	15	19
THC64	64	2 1/2"	/	15	19
THC70	70	2 3/4"	/	15	19
THC76	76	3"	/	15	19
THC89	89	3 1/2"	/	15	19
THC102	102	4"	/	15	19
THC114	114	4 1/2"	/	15	19
THC127	127	5"	/	15	19
THC152	152	6"	/	15	19
THC178	178	7"	/	15	19
THC203	203	8"	/	15	19

可根据客户要求提供更多尺寸和材质。以上数据仅供参考。  
 More size and material can be supplied according to customers' requirements. Above data just for reference.



强力及其他 **Bolts Power Clamp and Others**

▶ 老虎夹 / **Spiral Bolt Hose Clamp**



■ 技术参数-老虎夹 / Technical Data-Spiral Bolt Hose Clamp

Size		Band Thickness (mm)	Bolt Diameter (mm)
Inch	mm		
1	33	1	6
1.2	40	1	6
1.5	48	1	6
2	62	1	6
2.2	70	1	6
2.5	78	1.2	8
3	93	1.2	8
3.5	105	1.2	8
4	116	1.2	8
4.5	130	1.2	8
5	143	1.2	8
5.5	155	1.2	8
6	167	1.5	10
6.5	187	1.5	10
8	220	1.5	10
8.5	245	1.5	10
10	280	1.5	10
10.5	300	1.5	10
12	330	1.5	10

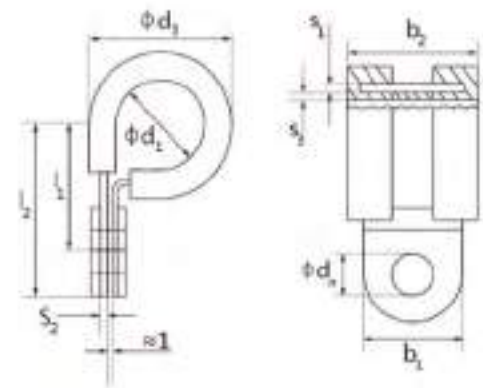




## ▶ 连胶条 / Fixing Clamp

■ 技术参数-连胶条 / Technical Data- Fixing Clamp

Size(d1)	Band Width(b1)				
	9mm	12mm	15mm	20mm	25mm
4	R0904	R1204	/	/	/
6	R0906	R1206	R1506	/	/
8	R0908	R1208	R1508	/	/
10	R0910	R1210	R1510	/	/
12	R0912	R1212	R1512	/	/
14	R0914	R1214	R1514	R2014	R2514
16	R0916	R1216	R1516	R2016	R2516
18	R0918	R1218	R1518	R2018	R2518
20	R0920	R1220	R1520	R2020	R2520
22	R0922	R1222	R1522	R2022	R2522
24	R0924	R1224	R1524	R2024	R2524
26	R0926	R1226	R1526	R2026	R2526
28	R0928	R1228	R1528	R2028	R2528
30	R0930	R1230	R1530	R2030	R2530
32	/	/	R1532	R2032	R2532
34	/	/	R1534	R2034	R2534
36	/	/	R1536	R2036	R2536
38	/	/	R1538	R2038	R2538
40	/	/	R1540	R2040	R2540
42	/	/	R1542	R2042	R2542
44	/	/	R1544	R2044	R2544
46	/	/	R1546	R2046	R2546
48	/	/	/	R2048	R2548
50	/	/	/	R2050	R2550
54	/	/	/	R2054	R2554
56	/	/	/	R2056	R2556



$\Phi d_1$	$b_1 \pm 0.3$	$b_2$	$d_n$	$d_3$		$l_1 + 1 - 0.2$		$l_2 \text{ max}$		S1 W1 w4 w5		S2 W1 w4 w5		$S_3 \pm 0.3$
4 to 30	9	$13 \pm 0.8$	4.3	$d_1 \pm$	5.2	$d_1 \pm$	4.7	$d_1/2+$	9.2	0.4		1.4		1
4 to 30	12	$15 \pm 0.8$	5.3		5.8		6.8		13	0.5		1.5		1.2
6 to 14	15	$19 \pm 1.0$	6.4		7.4		9.7		17.2	0.6		1.6		1.5
16 to 46										0.8	0.6	1.8	1.6	
14 to 24	20	$26 \pm 1.0$	6.4		9		12.5		22.5	0.8		2.3		2
14 to 54										1	0.8	2.5	2.3	
14 to 48	25	$31 \pm 1.0$	10.5	13		14.5		27		1		2.5		3
50 to 150										1.2	1	2.7	2.5	

可根据客户要求提供更多尺寸和材质。以上数据仅供参考  
 More size and material can be supplied according to customers' requirements. Above data just for reference.



**管束 / Coupling**

■ 技术参数-CHA型管束 / Technical Data-Type CHA Coupling

规格 Specification	只/箱 Pcs/carton	包装尺寸 Packing Size(cm)	重量 Weight(kg)
2"	100	41*31*24	12
3"	100	56*41*26	15
4"	100	70*51*27	19
5"	50	49*33*53	15
6"	50	57*37*53	17
8"	20	45*45*32	30

**CHA型管束 Type CHA Coupling**



**B型-环板式卡箍 Type B Coupling**



■ 技术参数-B型-环板式卡箍 / Technical Data-Type B Coupling

规格 Specification	只/箱 Pcs/carton	包装尺寸 Packing Size(cm)	重量 Weight(kg)
2"	100	41*31*24	12
3"	100	56*41*26	15
4"	100	70*51*27	19
5"	50	49*33*53	15
6"	50	57*37*53	17
8"	20	45*45*32	30

**C型-夹板式卡箍 Type C Coupling**



■ 技术参数-C型-夹板式卡箍 / Technical Data-Type C Coupling

规格 Specification	只/箱 Pcs/carton	包装尺寸 Packing Size(cm)	重量 Weight(kg)
2"	100	41*31*24	12
3"	100	56*41*26	15
4"	100	70*51*27	19
5"	50	49*33*53	15
6"	50	57*37*53	17
8"	20	45*45*32	30

**F型-高层卡箍 Type F Coupling**



■ 技术参数-F型-高层卡箍 / Technical Data-Type F Coupling

规格 Specification	只/箱 Pcs/carton	包装尺寸 Packing Size(cm)	重量 Weight(kg)
2"	100	37*29*32	23
3"	100	48*39*32	26
4"	100	70*49*31	33
5"	50	61*44*42	29
6"	50	71*49*42	31
8"	30	70*47*55	30
10"	10	55*28*54	22
12"	10	64*33*74	27
15"	10	80*40*74	37

**A型-叠带式卡箍 Type A Coupling**



■ 技术参数-A型-叠带式卡箍 / Technical Data-Type A Coupling

规格 Specification	只/箱 Pcs/carton	包装尺寸 Packing Size(cm)	重量 Weight(kg)
1.5"	100	33*24*32	12
2"	100	37*29*32	14
3"	100	48*39*32	18
4"	100	61*49*32	22
5"	50	58*49*41	23
6"	50	70*49*41	25
8"	30	67*46*53	21
10"	30	80*54*55	27
12"	16	69*60*57	30





