

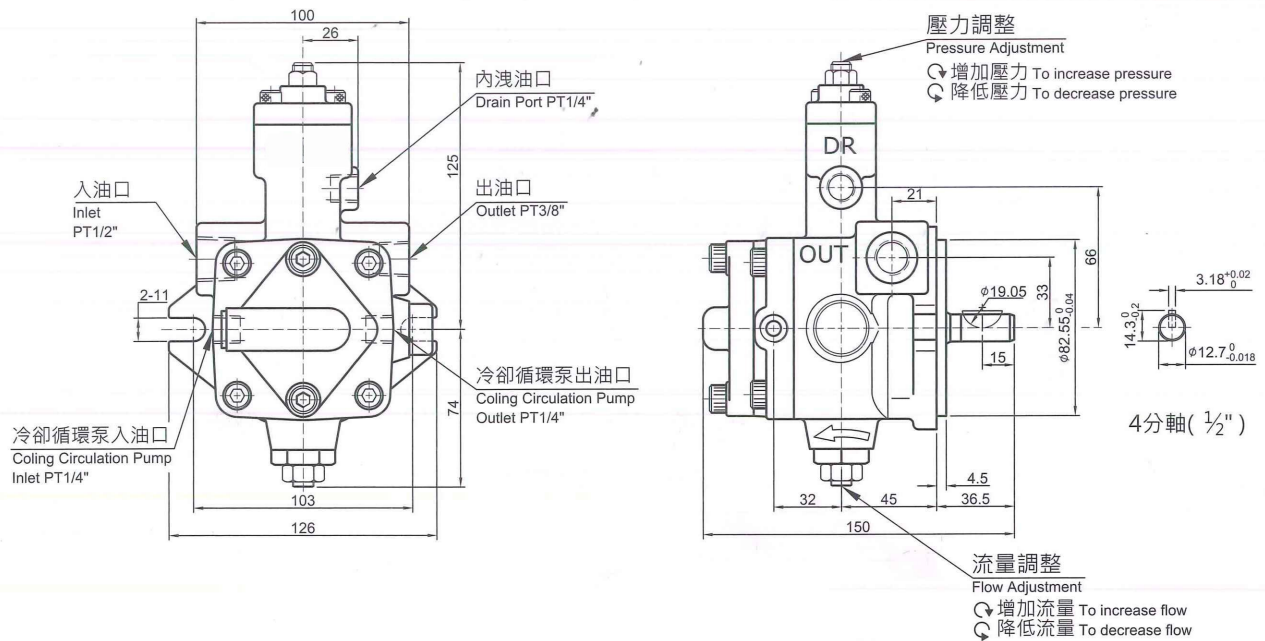
Variable Displacement Vane Pump With Cooling Circulation Pump

變量葉片泵附循環泵系列

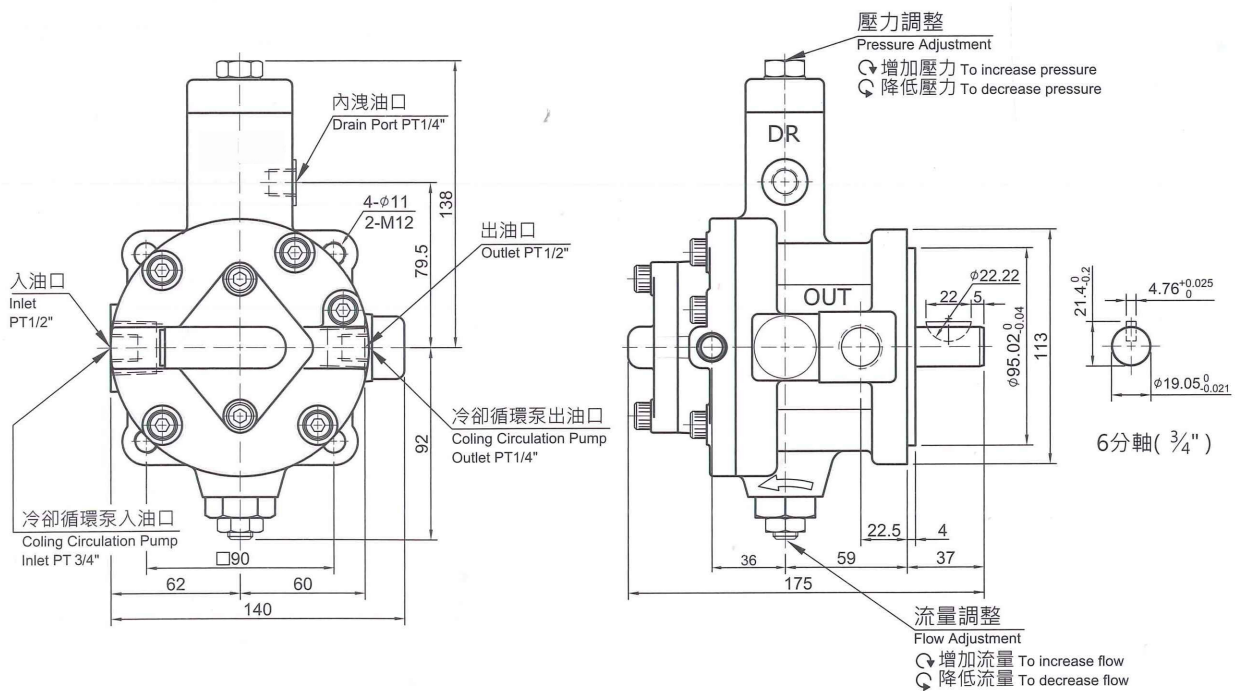
VCM-SF/CG
SM

外型尺寸 / MEASUREMENT

VCM - SF - 12/20 - ※ - ※CG - 20

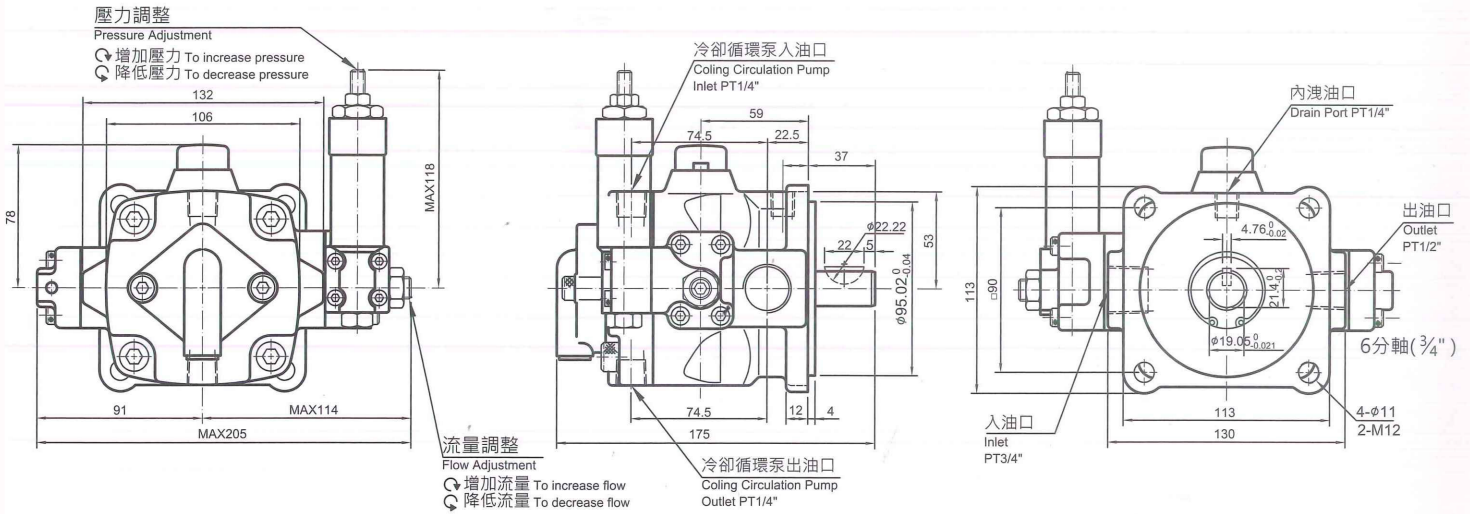


VCM - SF - 30/40 - ※ - ※CG - 30



外型尺寸 / MEASUREMENT

VCM - SM - 30 ※ - 4CG - 20

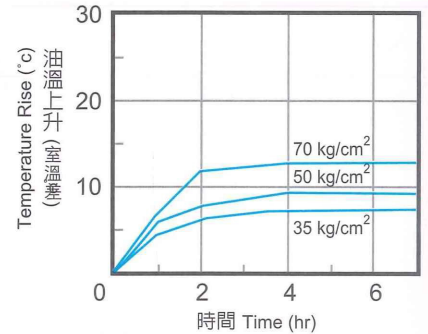
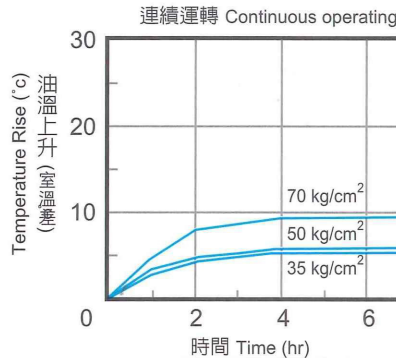


性能曲線圖 / PERFORMANCE CURVES

VCM - SF - 20 ※ - 4CG - 20

測試條件 Testing condition
 操作用油 Hydraulic oil: ISO VG32
 馬達轉速 Speed: 1800 rpm
 油箱容積 Capacity of tank: 30L
 室溫 Ambient Temperature: 30°C

Continuous operated cylinder (Ø20xØ40x250mm)
 W/cylinder working cycle: 12 strokes/min.
 連續操作CYLINDER (Ø20xØ40x250mm)
 作動頻率12次往返 / 每分鐘



VCM - SF - SM - 30 ※ - 4CG - 30

測試條件 Testing condition
 操作用油 Hydraulic oil: ISO VG32
 馬達轉速 Speed: 1800 rpm
 油箱容積 Capacity of tank: 40L
 室溫 Ambient Temperature: 30°C

Continuous operated cylinder (Ø20xØ40x250mm)
 W/cylinder working cycle: 12 strokes/min.
 連續操作CYLINDER (Ø20xØ40x250mm)
 作動頻率12次往返 / 每分鐘

