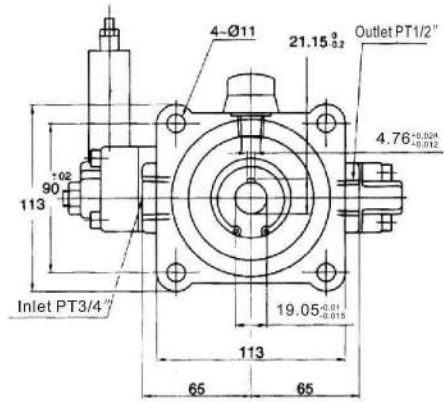
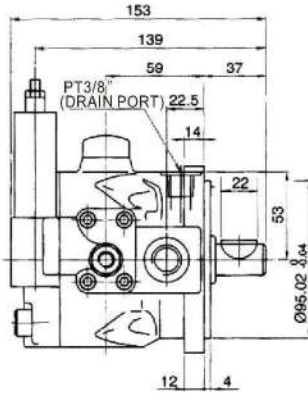
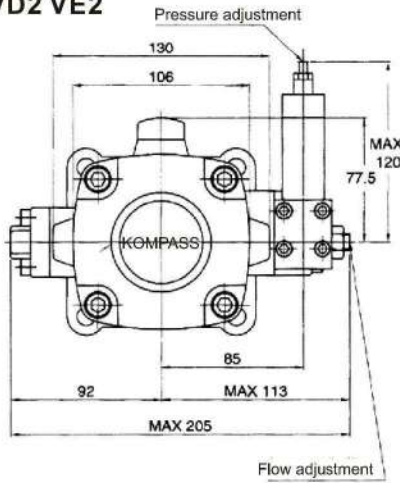
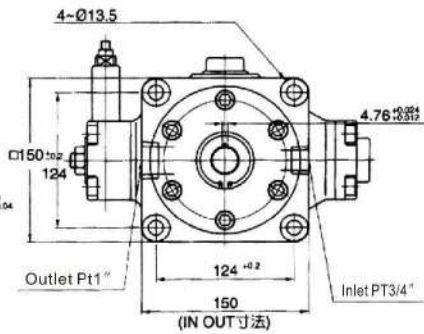
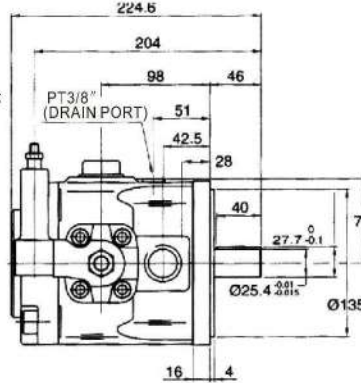
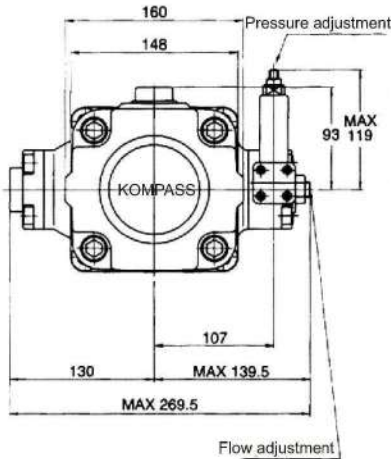


■ 尺寸 Dimension

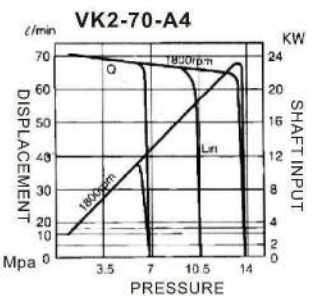
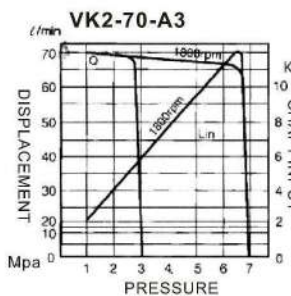
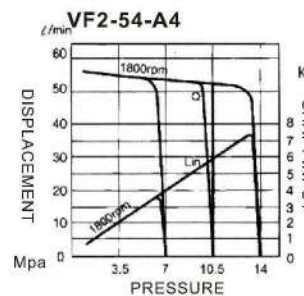
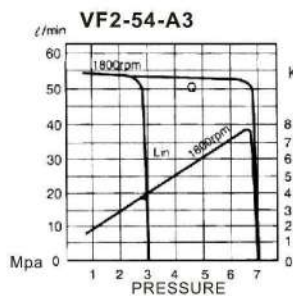
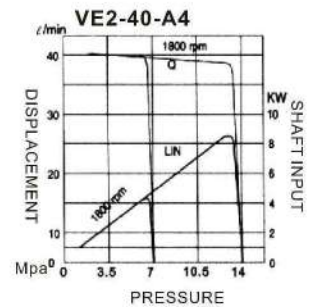
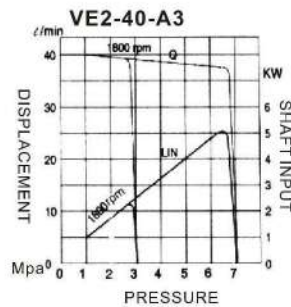
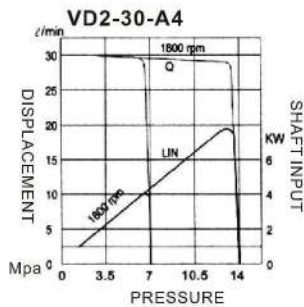
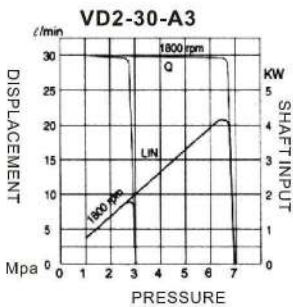
VD2 VE2



VF2 VK2

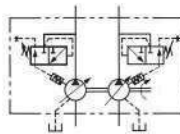


■ Performance curves: (Test conditions viscosity 20 cSt, ISO VG32, Temperature: 50°C) A. Prssure-displacement-shaft input characteristics:





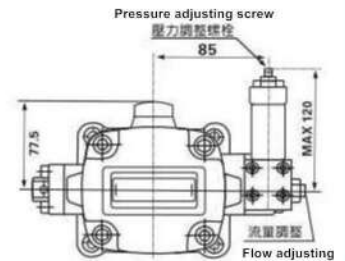
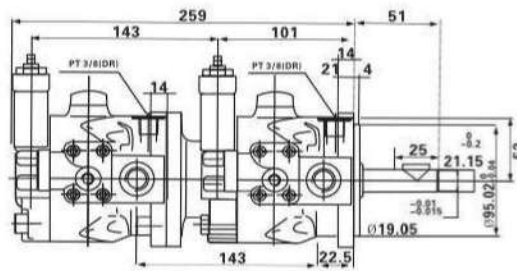
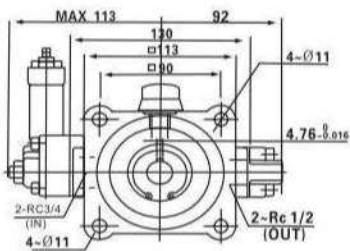
雙聯變量葉片泵 Variable Displacement Double Vane Pumps
VD2D2、VE2E2、VF2F2、VK2K2系列



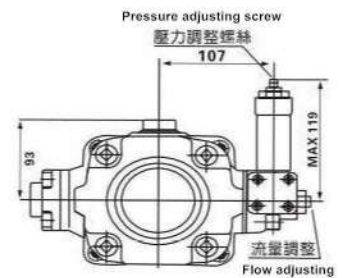
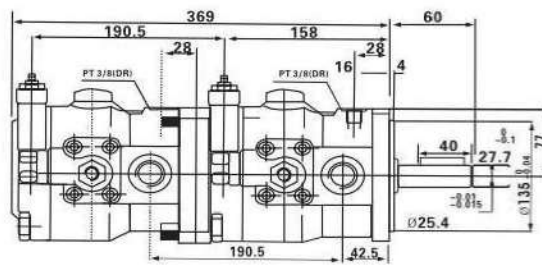
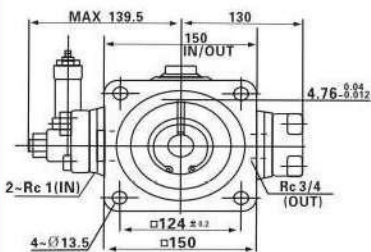
油壓記號
SYMBOL

■ 尺寸圖 DIMENSION

VD2D2-2020~VE2E2-4040

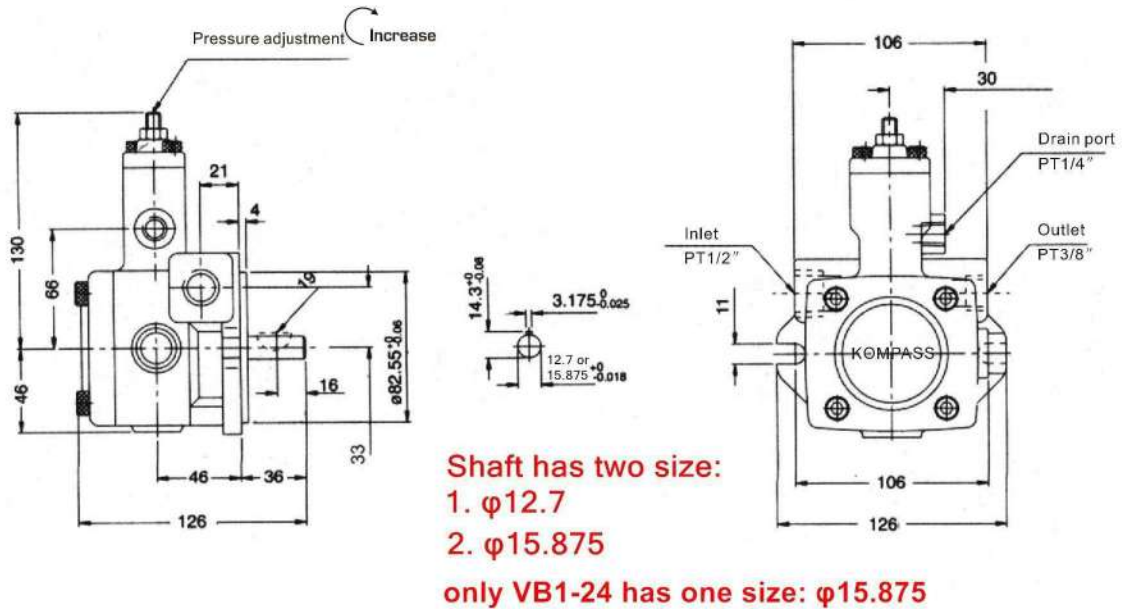


VF2F2-5454、VK2K2-7070

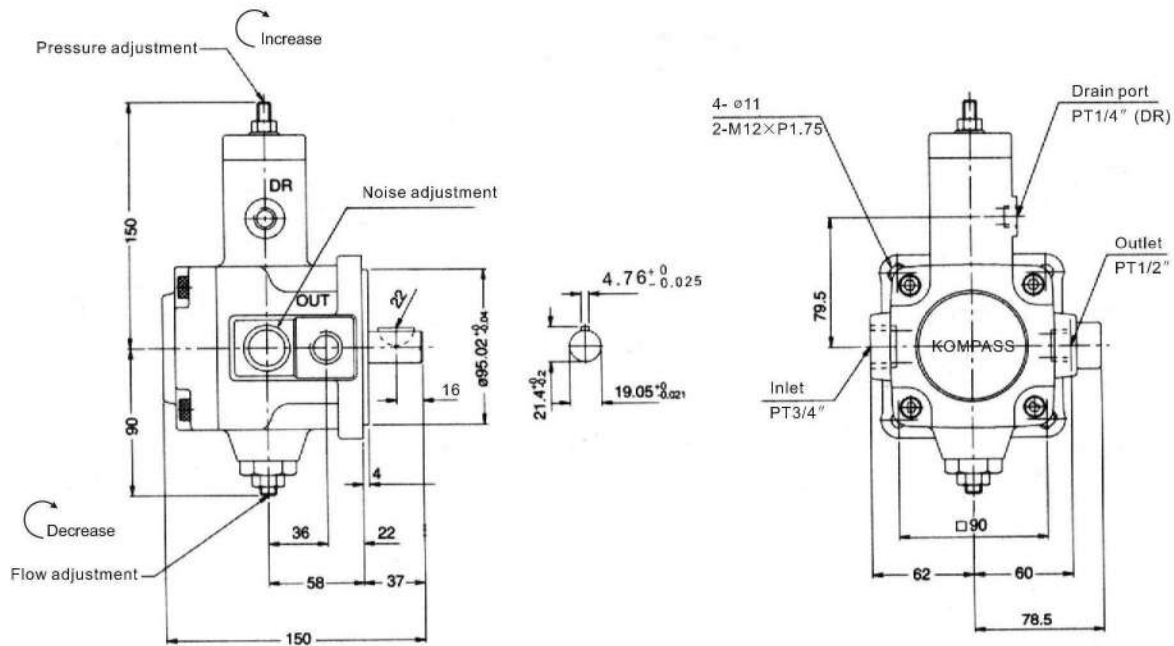


Dimensions

VA1、VB1(Mounting Surface: SAE "A" 2-Bolt)

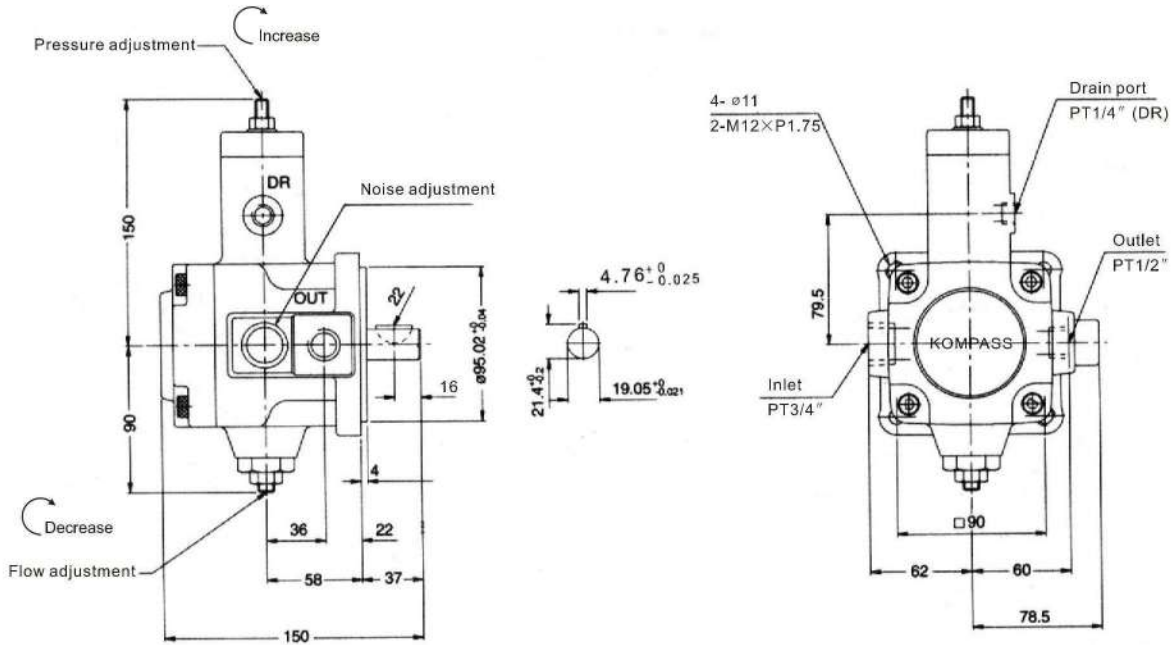


VD1、VE1(Mounting Surface:4-Bolt)

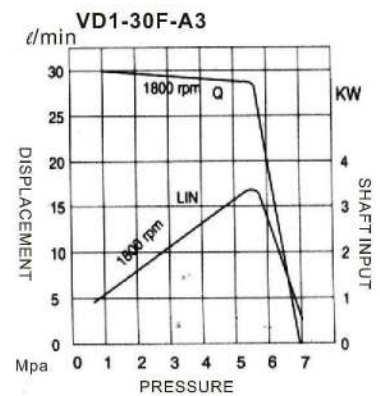
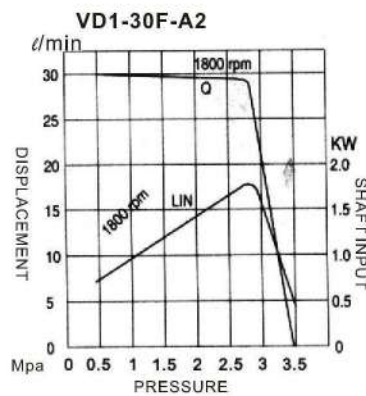
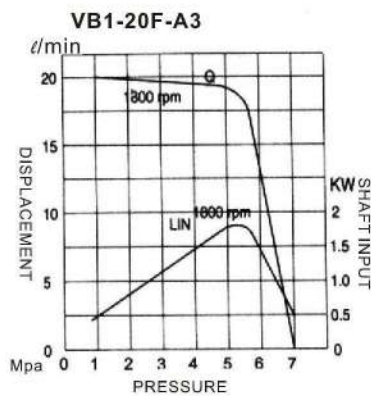
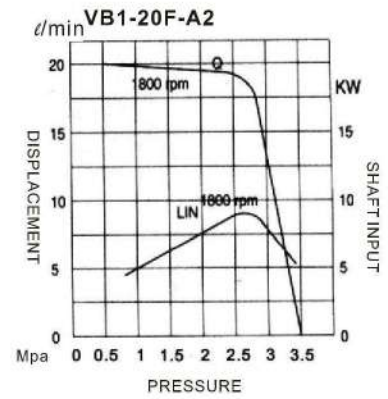
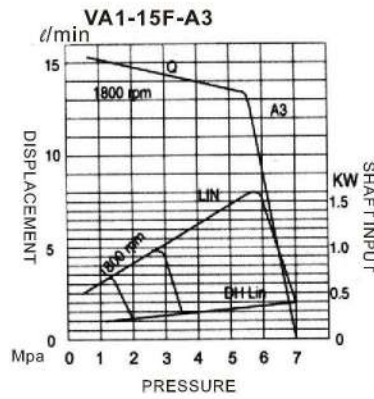
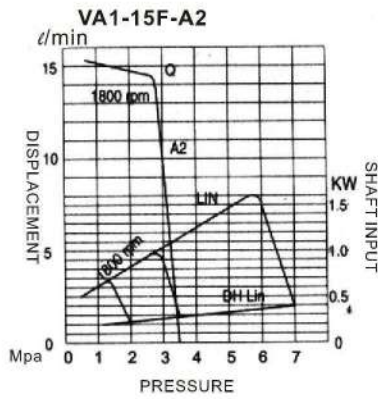


Dimensions

VD1、VE1(Mounting Surface:4-Bolt)

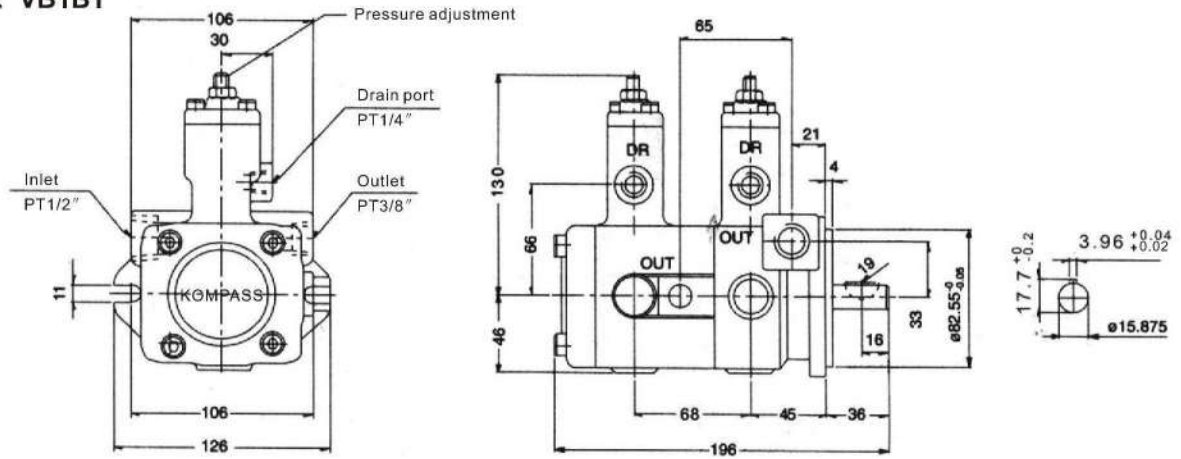


■ Performance curves: (Test conditions viscosity 20 cSt, ISO VG32, Temperature: 50°C)
 A. Pressure-displacement-shaft input characteristics:

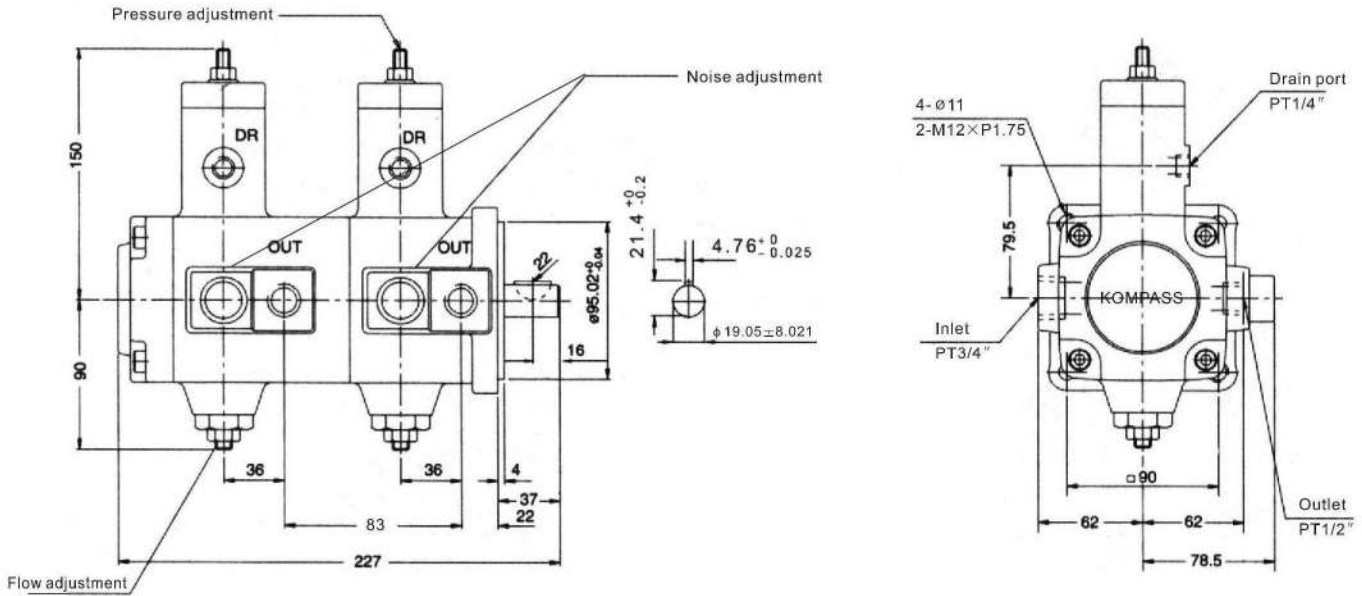


Dimensions

VA1A1、VB1B1



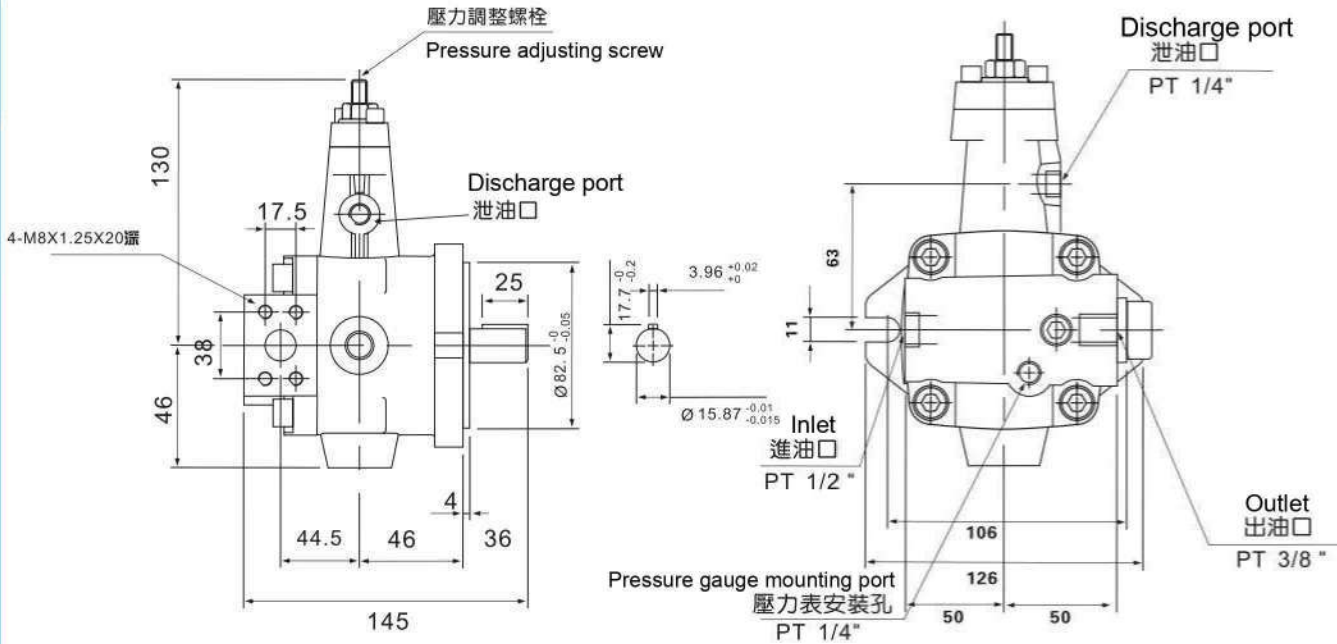
VD1D1、VE1E1、VC1C1



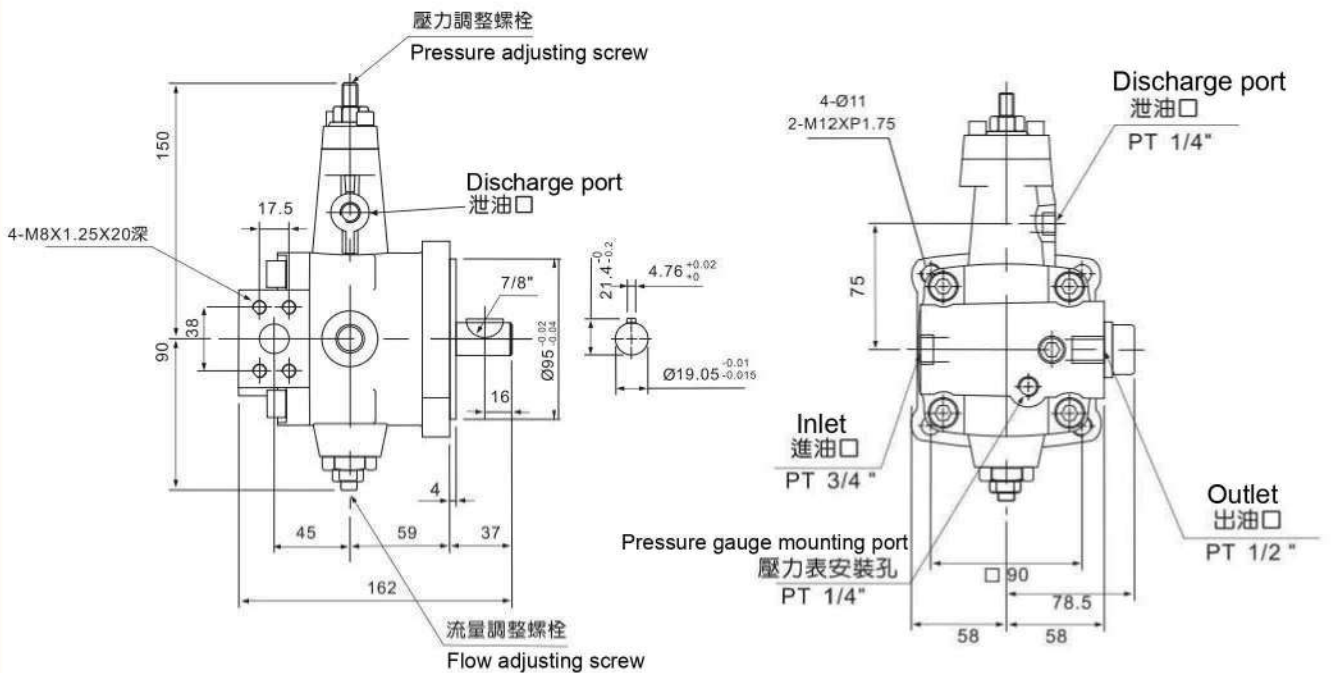


■ 尺寸圖 DIMENSION

VFA1-12F、VFA1-15F、VFB1-20F



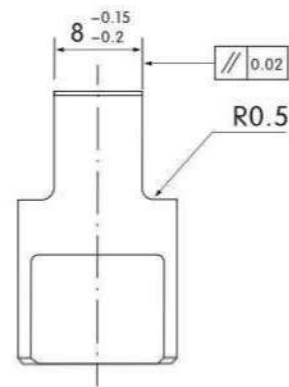
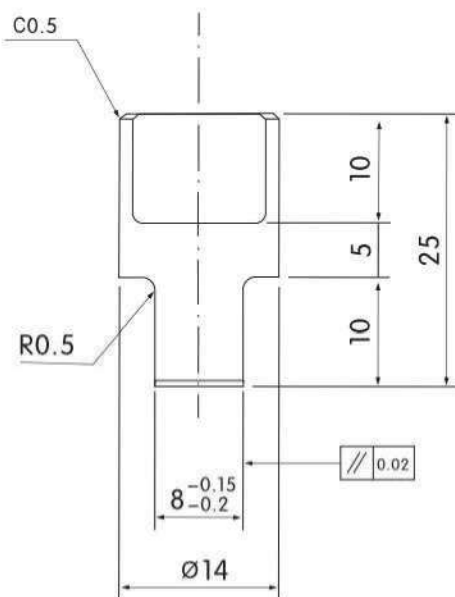
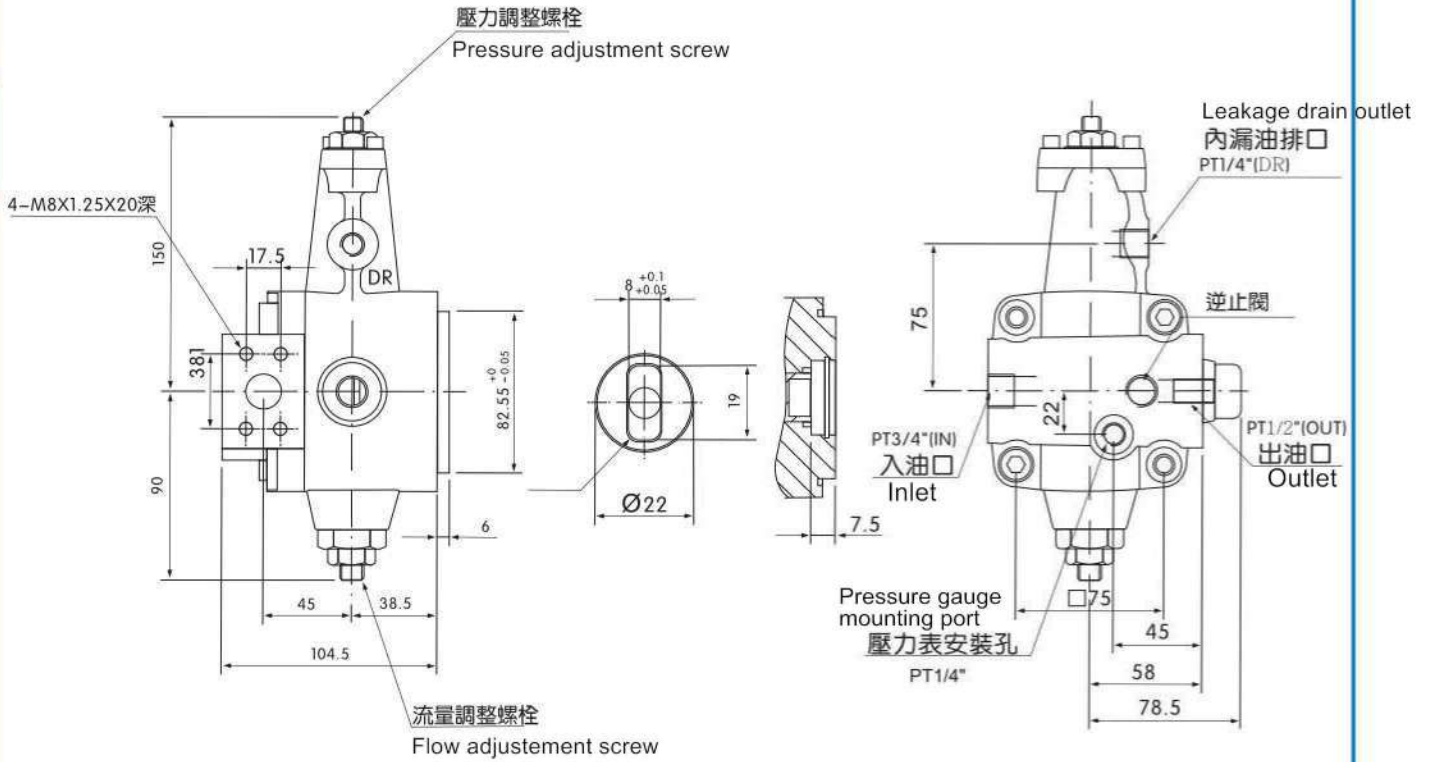
VFD1-25F、VFD1-30F、VFE1-40F





■ 尺寸圖 Dimension

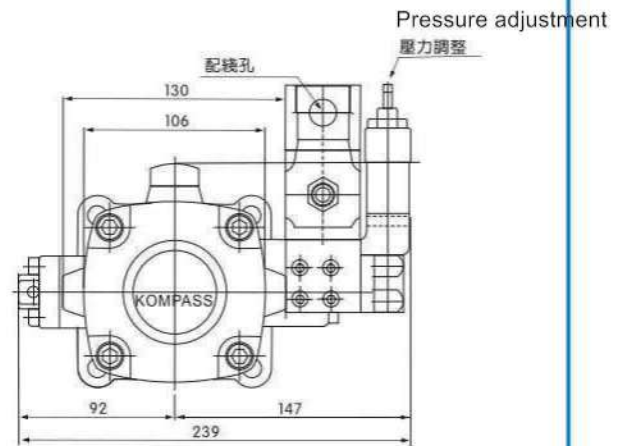
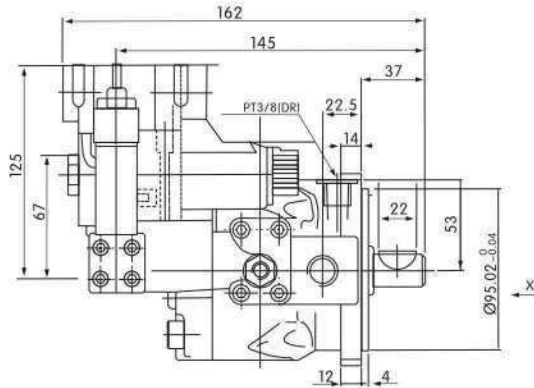
VFD1S系列 VFD1S Series



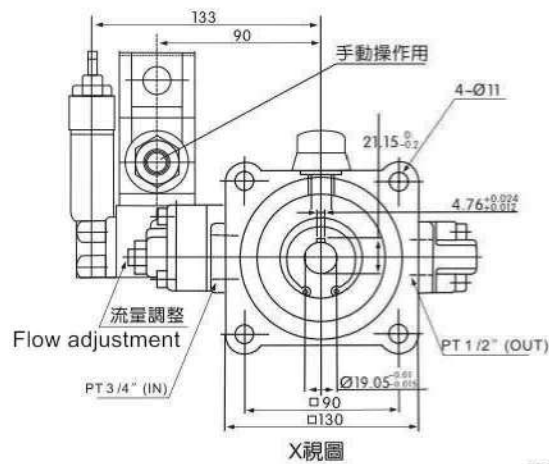


■ 尺寸圖 Dimension

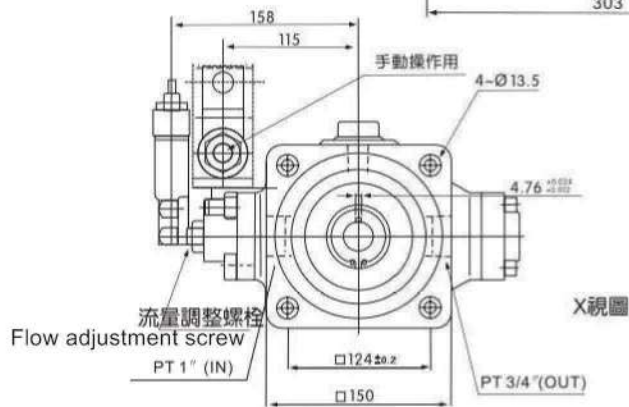
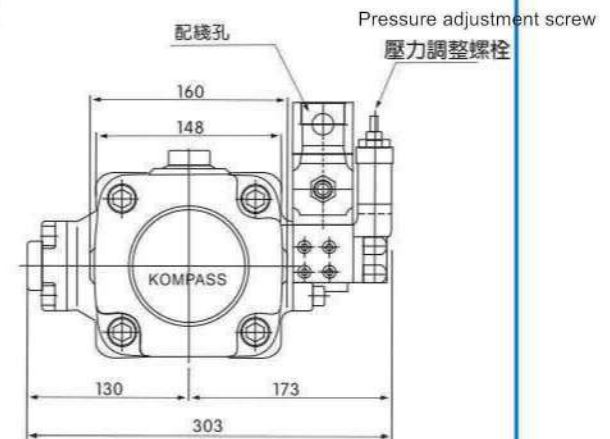
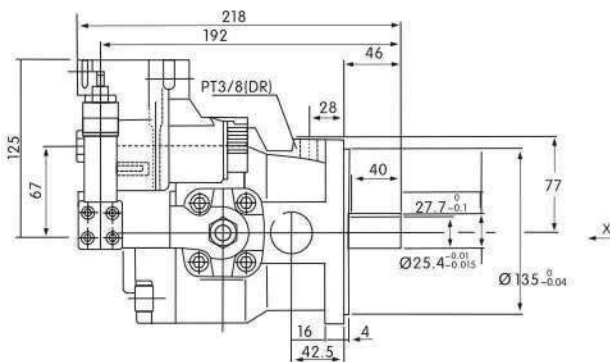
VD3-20F-A*
VE3-40F-A*



VF3-54F-A*
VK3-70F-A*



X視圖

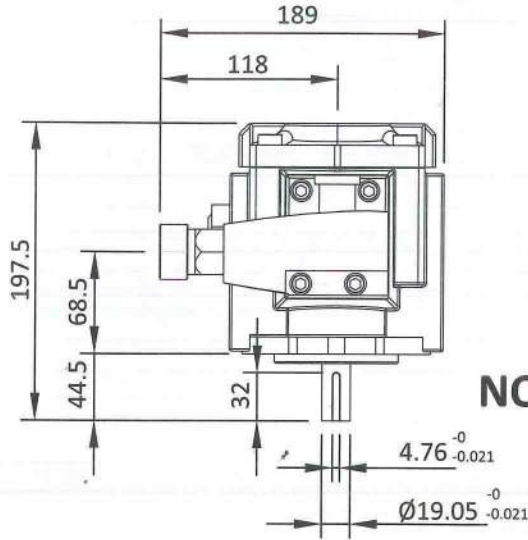


X視圖

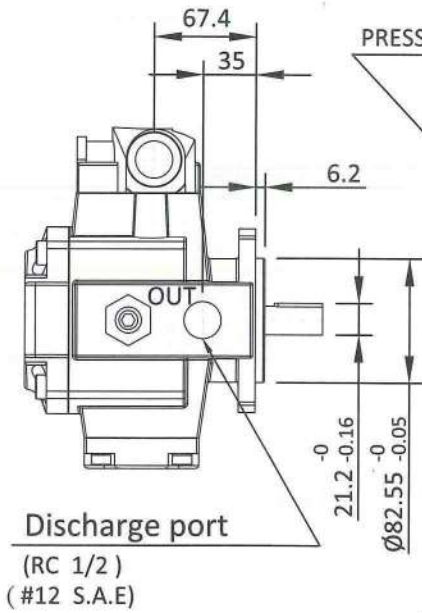
KPV SERIES

Variable Vane Pump Dimensional Drawing

KPV-8
KPV-12
KPV-16
KPV-20
KPV-23

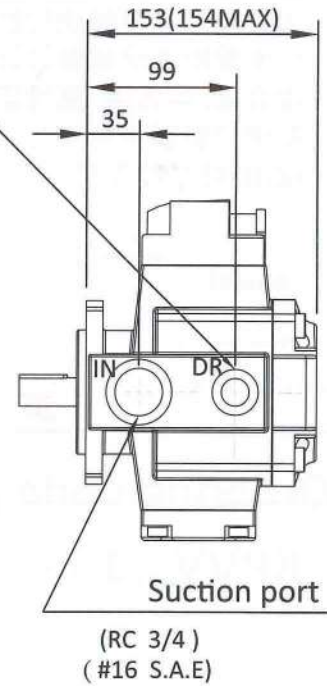
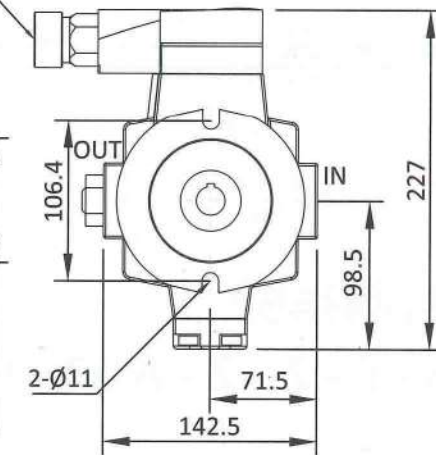


NO.01-Shaft

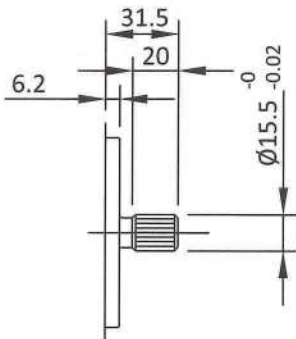


PRESSURE REGULAR VALVE

Drain port
 (RC 3/8)
 (#8 S.A.E)

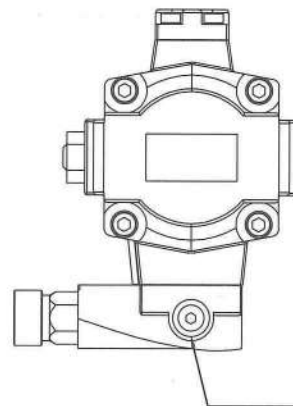


(SAE A Mounting flange)



Diametral Pitch : 16/32
 Pressure Angle : 30°
 No. of Teeth : 9
 Available on "A" Cover only

NO.02-Shaft



*Shock Clipper port
 Should be plumbed
 to tank to activate
 shock clipper

Shock Clipper port

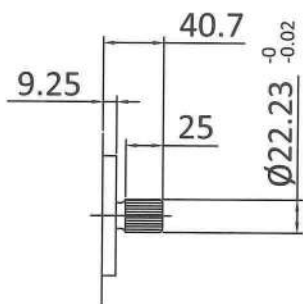
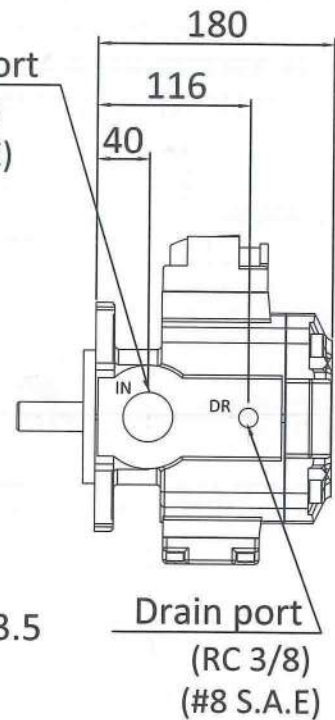
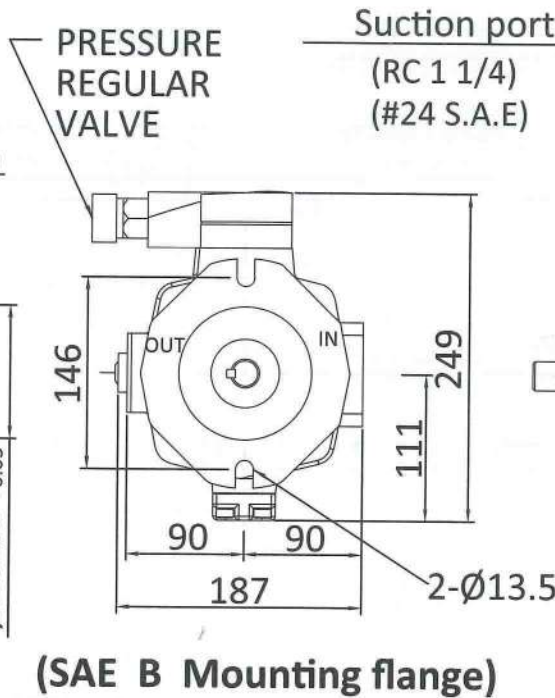
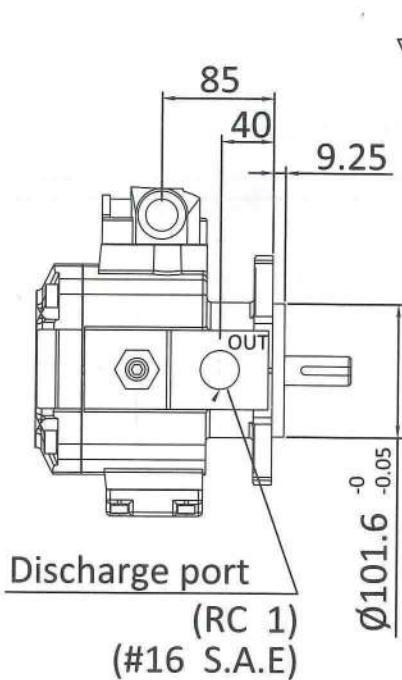
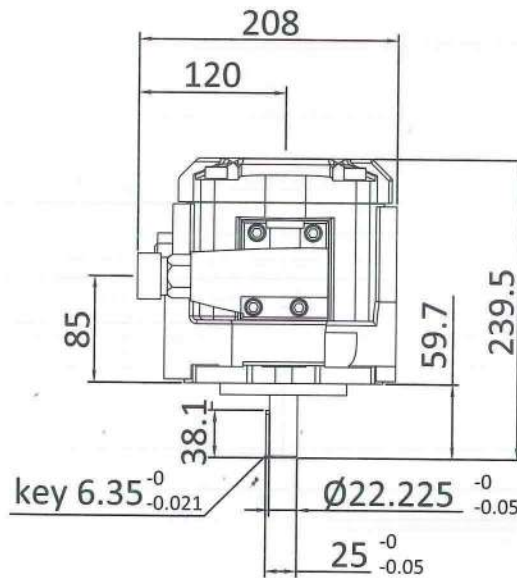
(RC 1/4) , (#6 S.A.E)

* (須接獨立油管回油箱)

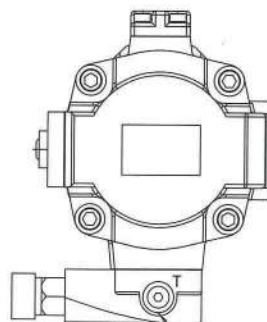
KPV SERIES

Variable Vane Pump Dimensional Drawing

KPV-25
KPV-32
KPV-36
KPV-42



SAE-B splined shaft
 Diametral Pitch : 16/32
 Pressure Angle : 30°
 No. of Teeth : 13
NO.02-Shaft



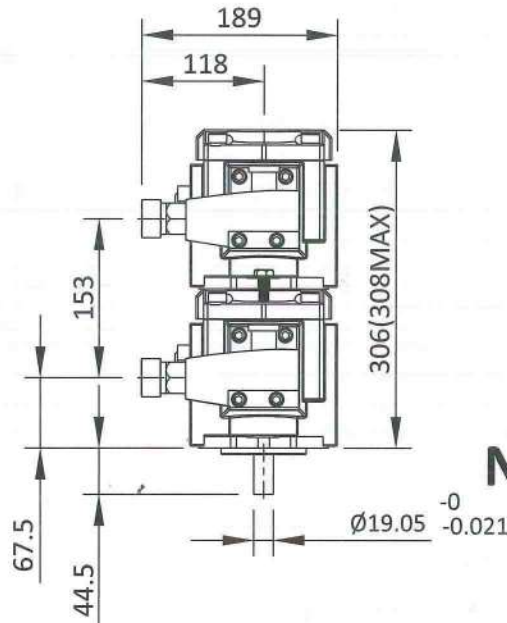
Shock Clipper port
 (RC 1/4) , (#6 S.A.E)
 * (須接獨立油管回油箱)

*Shock Clipper port
 Should be plumbed
 to tank to activate
 shock clipper

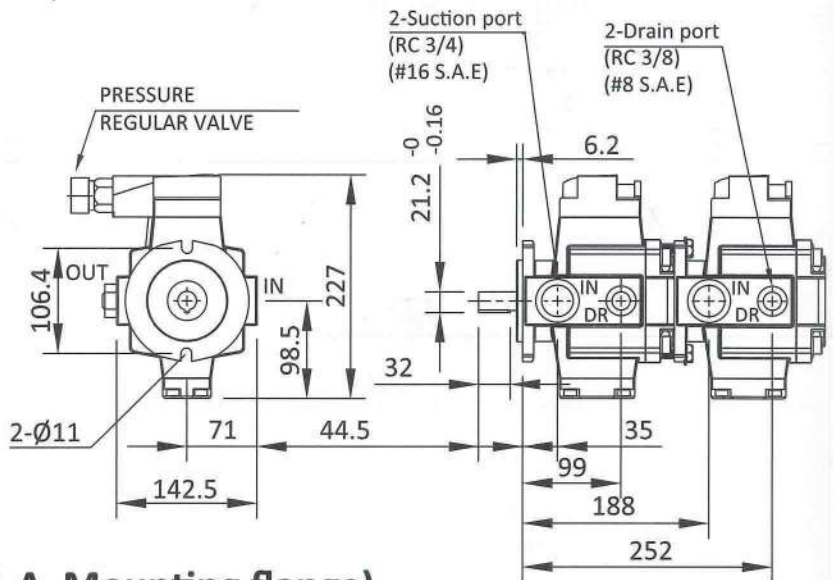
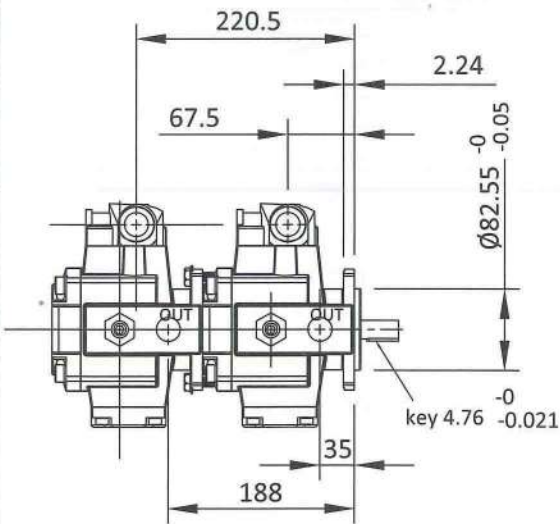
KPVV-** SERIES

Variable Double Vane Pump Dimensional Drawing

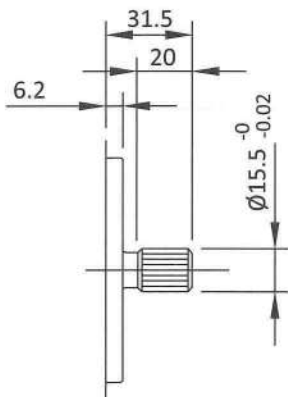
KPVV-8. *
KPVV-12. *
KPVV-16. *
KPVV-20. *
KPVV-23. *



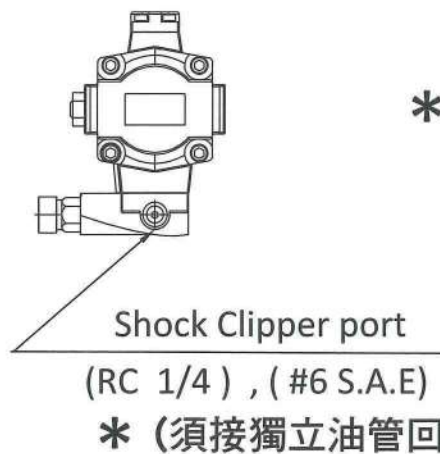
NO.01-Shaft



(SAE A Mounting flange)



Diametral Pitch : 16/32
 Pressure Angle : 30°
 No. of Teeth : 9
 Available on "A" Cover only
NO.02-Shaft

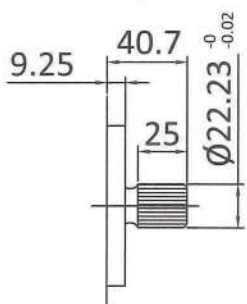
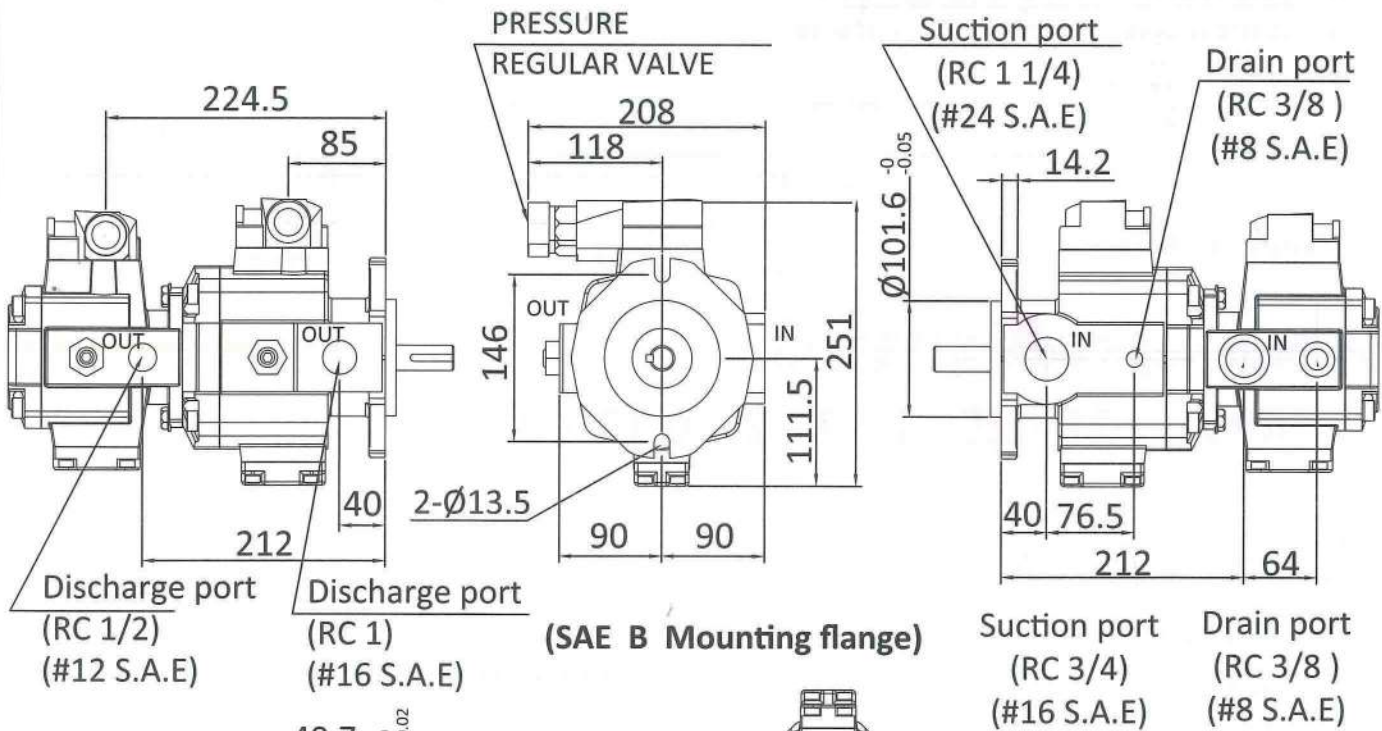
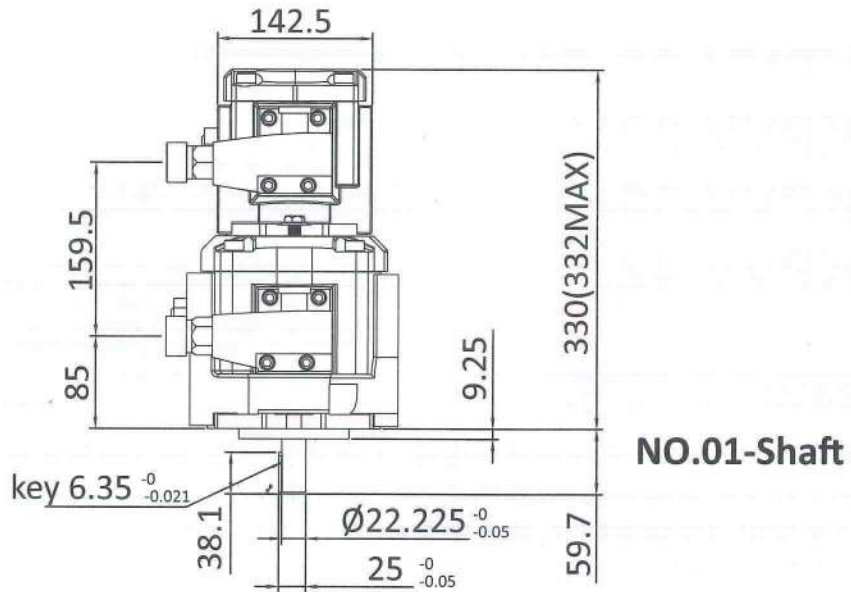


* Shock Clipper port
 Should be plumbed
 to tank to activate
 shock clipper

KPVV SERIES

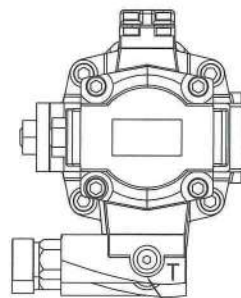
Variable Double Pump Dimensional Drawing

KPVV-25 *
KPVV-32 *
KPVV-36 *
KPVV-42 *



SAE-B splined shaft
 Diametral Pitch : 16/32
 Pressure Angle : 30°
 No. of Teeth : 13

NO.02-Shaft



Shock Clipper port (RC 1/4) , (#6 S.A.E)

*** (須接獨立油管回油箱)**

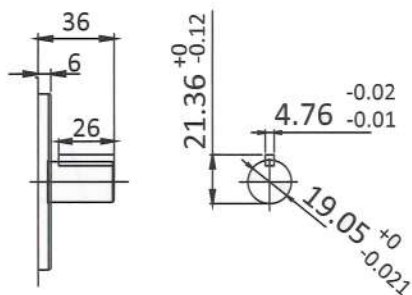
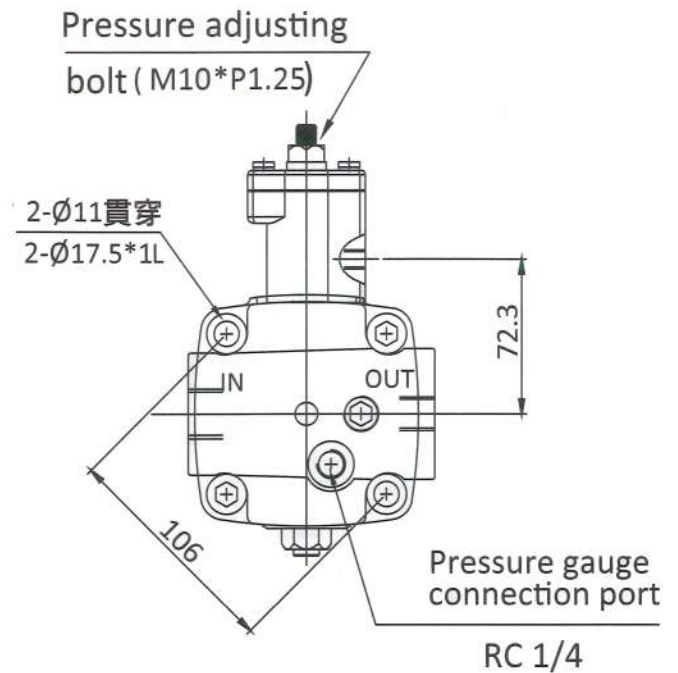
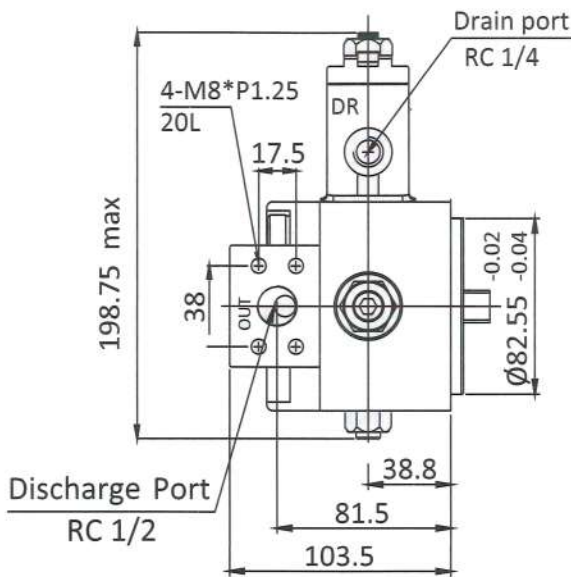
* Shock Clipper port
 Should be plumbed
 to tank to activate
 shock clipper

KVDN

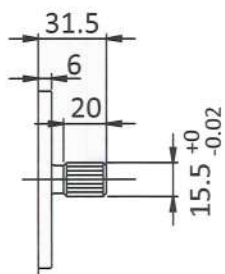
Dimensional Drawing

KVDN-8
KVDN-12
KVDN-16
KVDN-21

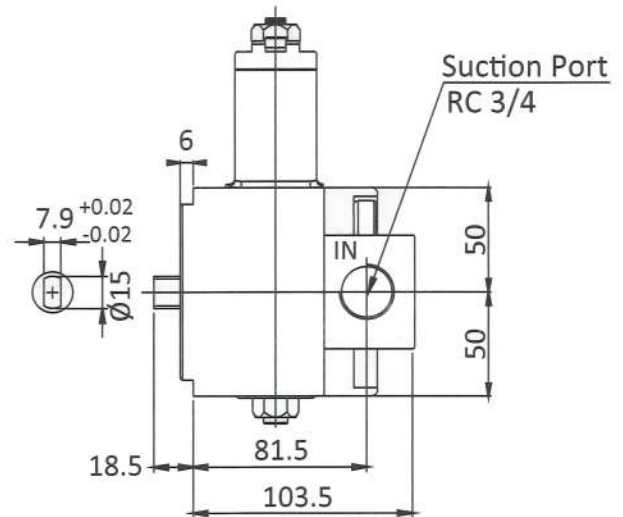
Motor-side leak-proof (馬達端防漏型 KVDN-*-A-*)



NO : 01 - Shaft



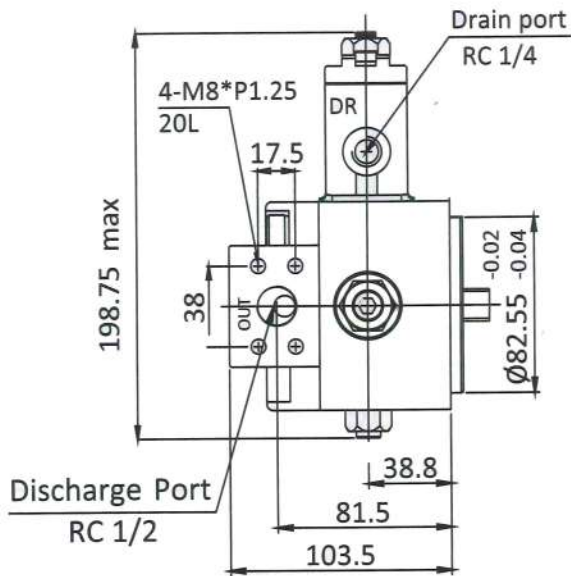
Diametral Pitch : 16/32
 Pressure Angle : 30°
 No. of Teeth : 9
NO.03-Shaft



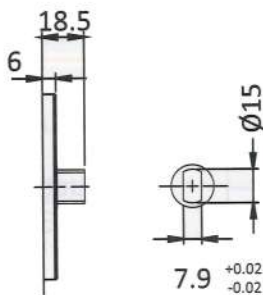
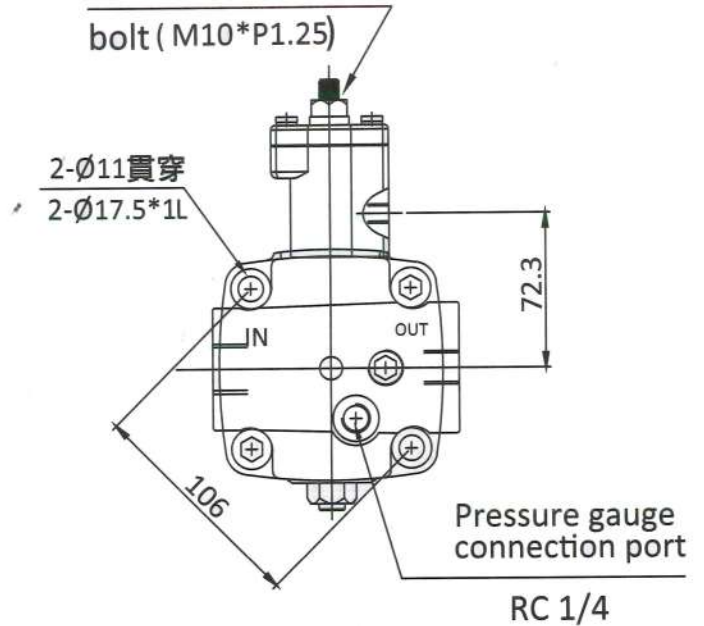
NO : 02 - Shaft

KVDN-8
KVDN-12
KVDN-16
KVDN-21

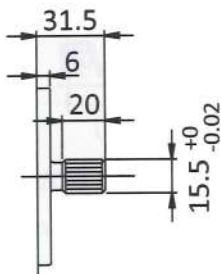
Pump-side leak-proof (泵端防漏型 KVDN-*-B-*)



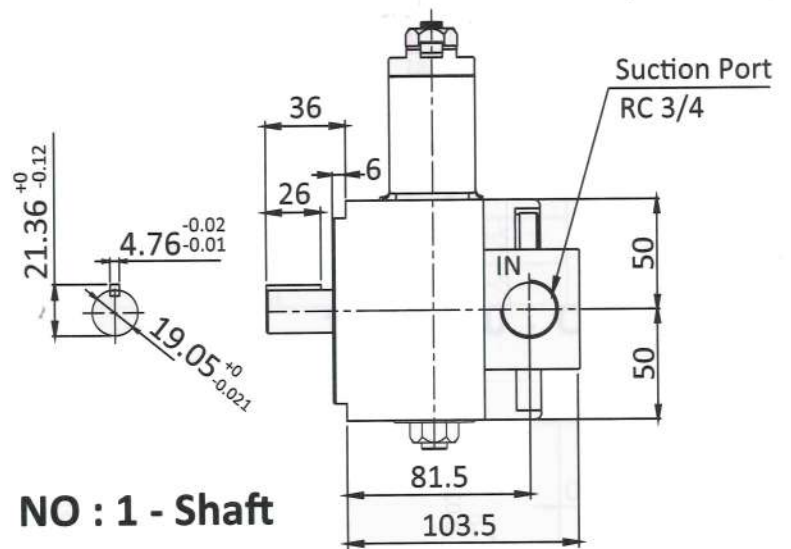
Pressure adjusting
 bolt (M10*P1.25)



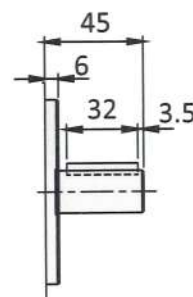
NO : 2 - Shaft



Diametral Pitch : 16/32
 Pressure Angle : 30°
 No. of Teeth : 9
NO.03-Shaft



NO : 1 - Shaft



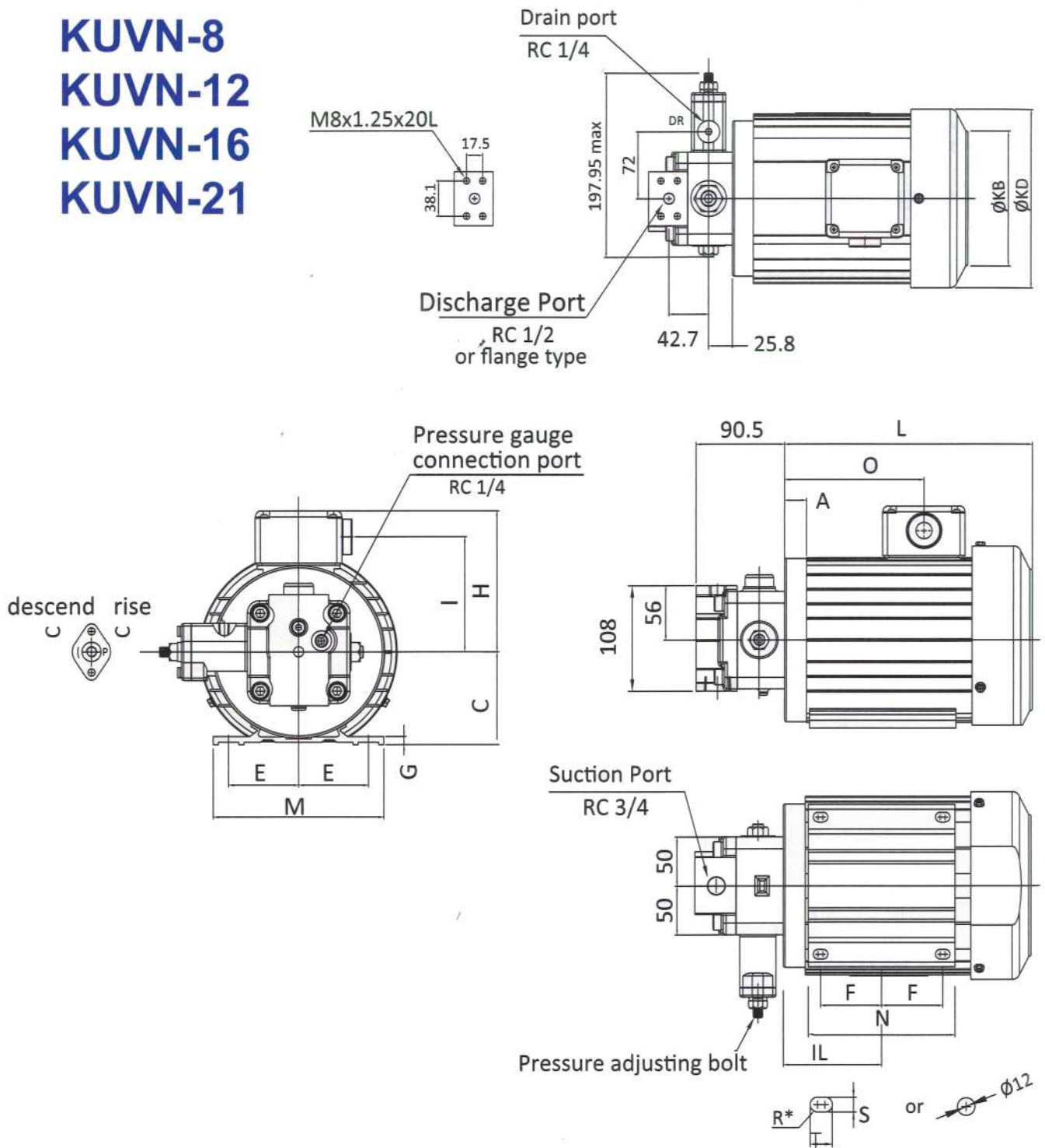
NO : 4 - Shaft

(2.242 : 1)

KUVN

Dimensional Drawing

KUVN-8
KUVN-12
KUVN-16
KUVN-21



Model No		Motor Dimensions mm (mm)															
		A	C	E	F	G	H	I	L	M	N	O	SxT	IL	KB	KD	R*/Ø
KUVN-*-A*-1-4	1.5 - 4 2HP	23	90	70	62.5	8	135	107	253.5	166	150	143	15 x 10	100.5	Ø147	Ø184	R6
KUVN-*-A*-2-4	2.2 - 4 3HP	25	100	80	70	10	147	119	278.5	195	180	155	Ø12	110	Ø167	Ø205.4	Ø12