

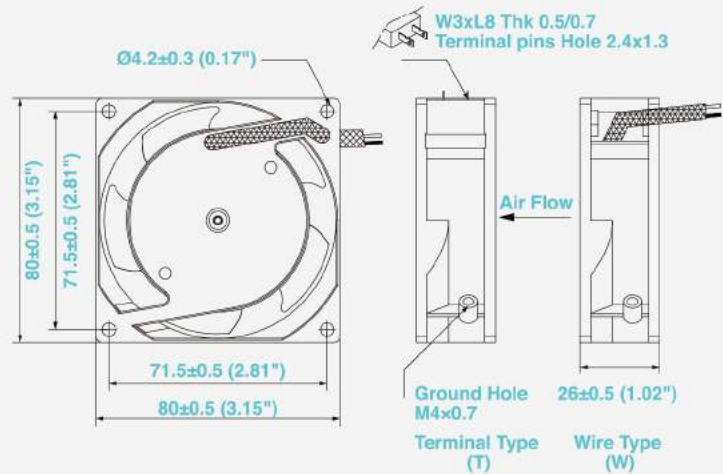
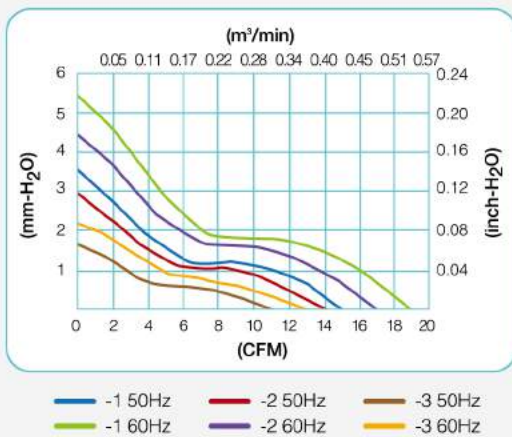
AC FAN SK825AP

80X80X25mm(3.15"x1.0") 11~19 CFM



馬達	Motor	Shaded pole, impedance protected
外殼	Housing / Frame	Die-cast aluminum, Painted black (AP)
風葉	Impeller	PBT thermoplastic + glass fiber, UL 94V-0
軸承	Bearing Type	Two-ball or sleeve available
接電方式	Connection	T-Terminal push-on type or W-Lead wire type
耐壓	Dielectric Strength	1 min. at 1,500VAC, 50/60Hz
溫度範圍	Operating Temp	Ball bearing -20°C~+70°C Sleeve bearing -10°C~+55°C
壽命	Life Expectancy	Ball bearing 60,000 hours at 40°C Sleeve bearing 30,000 hours at 40°C
淨重	Net Weight	260 gm (0.57 pound)
認證	Safety Approvals	UL, CUL, TUV, CE, RoHS

SK825 P-Q Curves



Model No.	Rated VAC	Freq. Hz	Rated Input Amp	Rated Input Watt	Rated Speed RPM	Max. Air Flow m³/min	Max. Air Flow CFM	Max. Static Pressure mm-H ₂ O	Max. Static Pressure inch-H ₂ O	Noise Level (dB)
型號	電壓	頻率	電流	功率	轉速	最大風量		最大風壓		噪音
SK825AP-11-1	110 (100V~120V)	50/60	0.17/0.15	15/13	2550/3200	0.42/0.54	15/19	3.6/5.5	0.14/0.22	29/35
SK825AP-11-2	110 (100V~120V)	50/60	0.09/0.08	10/9	2100/2550	0.34/0.42	14/17	2.9/4.2	0.11/0.17	27/29
SK825AP-11-3	110 (100V~120V)	50/60	0.07/0.06	7/6	1750/1850	0.31/0.36	11/13	1.7/2.2	0.06/0.08	23/24
SK825AP-22-1	220 (200V~230V)	50/60	0.08/0.07	15/13	2550/3200	0.42/0.54	15/19	3.6/5.5	0.14/0.22	29/35
SK825AP-22-2	220 (200V~230V)	50/60	0.06/0.05	10/9	2400/2950	0.40/0.51	14/17	2.9/4.2	0.11/0.17	28/32

Customised Item : Frameless, Double Voltage



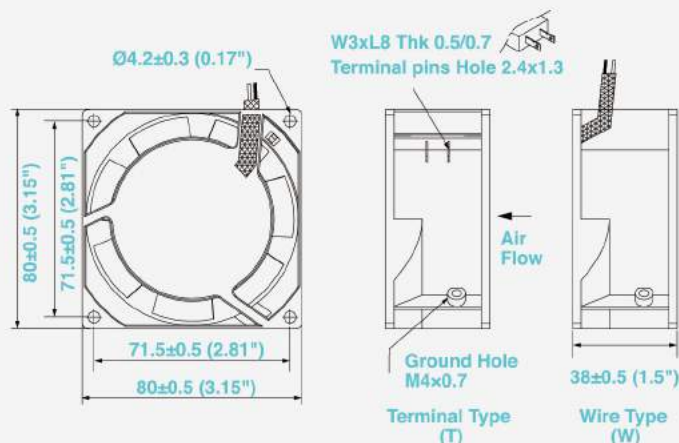
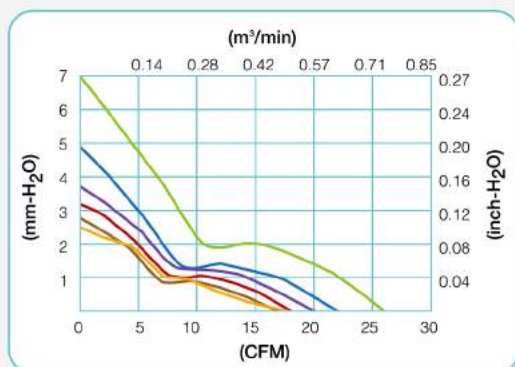
AC FAN SK838AP

80X80X38mm(3.15"×1.5") 17~26 CFM



馬達	Motor	Shaded pole, impedance protected
外殼	Housing / Frame	Die-cast aluminum, Painted black (AP)
風葉	Impeller	PBT thermoplastic + glass fiber, UL 94V-0
軸承	Bearing Type	Two-ball or sleeve available
接電方式	Connection	T-Terminal push-on type or W-Lead wire type
耐壓	Dielectric Strength	1 min. at 1,500VAC, 50/60Hz
溫度範圍	Operating Temp	Ball bearing -20°C~+70°C Sleeve bearing -10°C~+55°C
壽命	Life Expectancy	Ball bearing 60,000 hours at 40°C Sleeve bearing 30,000 hours at 40°C
淨重	Net Weight	370 gm (0.82 pound)
認證	Safety Approvals	UL, CUL, TUV, CE, RoHS

SK838 P-Q Curves



Model No.	Rated VAC	Freq. Hz	Rated Input Amp	Rated Input Watt	Rated Speed RPM	Max. Air Flow m³/min CFM	Max. Static Pressure mm-H ₂ O inch-H ₂ O	Noise Level (dB)
型號	電壓	頻率	電流	功率	轉速	最大風量	最大風壓	噪音
SK838AP-11-1	110 (100V~120V)	50/60	0.12/0.10	14/12	2700/3250	0.62/0.74 22/26	4.9/7.0 0.19/0.28	30/37
SK838AP-11-2	110 (100V~120V)	50/60	0.07/0.06	11/9	2250/2550	0.51/0.57 18/20	3.2/3.7 0.13/0.14	26/29
SK838AP-22-1	220 (200V~230V)	50/60	0.06/0.05	14/12	2700/3250	0.62/0.74 22/26	4.9/7.0 0.19/0.28	30/37
SK838AP-22-2	220 (200V~230V)	50/60	0.05/0.04	11/9	2450/2700	0.51/0.57 18/20	3.2/3.7 0.13/0.14	26/29
SK838AP-22-3	220 (200V~230V)	50/60	0.04/0.03	7/5	2200/2200	0.48/0.51 17/18	2.8/2.5 0.11/0.10	25/26

Customised Item : Frameless, Double Voltage, FG,RD



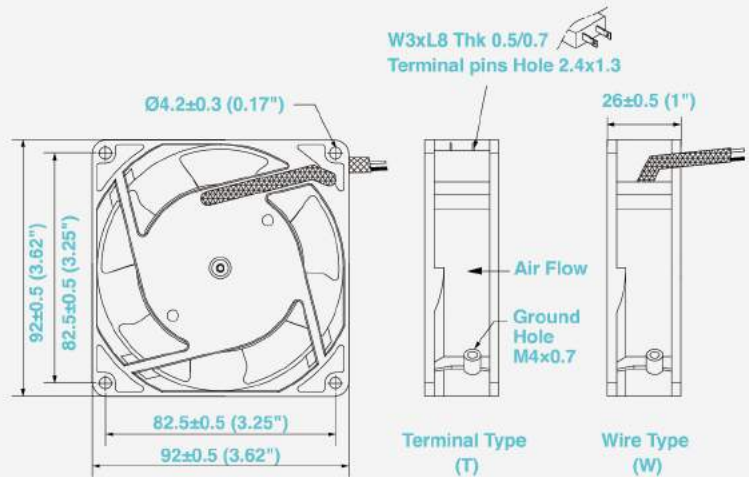
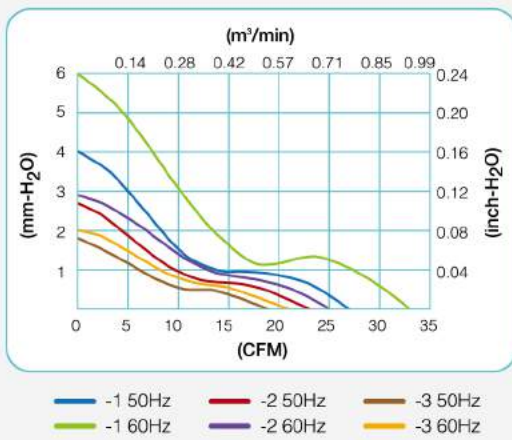
AC FAN SK92AP

92X92X25mm(3.62"×1") 19~33 CFM



馬達	Motor	Shaded pole, impedance protected
外殼	Housing / Frame	Die-cast aluminum, Painted black (AP)
風葉	Impeller	PBT thermoplastic + glass fiber , UL 94V-0
軸承	Bearing Type	Two-ball or sleeve available
接電方式	Connection	T-Terminal push-on type or W-Lead wire type
耐壓	Dielectric Strength	1 min. at 1,500VAC, 50/60Hz
溫度範圍	Operating Temp	Ball bearing -20°C~+70°C Sleeve bearing -10°C~+55°C
壽命	Life Expectancy	Ball bearing 60,000 hours at 40°C Sleeve bearing 30,000 hours at 40°C
淨重	Net Weight	290 gm (0.64 pound)
認證	Safety Approvals	UL, CUL, TUV, CE, RoHS

SK92 P-Q Curves



Model No.	Rated VAC	Freq. Hz	Rated Input Amp	Rated Input Watt	Rated Speed RPM	Max. Air Flow m ³ /min	Max. Air Flow CFM	Max. Static Pressure mm-H ₂ O	Max. Static Pressure inch-H ₂ O	Noise Level (dB)
型號	電壓	頻率	電流	功率	轉速	最大風量	最大風量	最大風壓	最大風壓	噪音
SK92AP-11-1	110 (100V~120V)	50/60	0.18/0.16	15/13	2400/3000	0.76/0.93	27/33	4.0/6.0	0.16/0.24	31/39
SK92AP-11-2	110 (100V~120V)	50/60	0.09/0.08	10/9	2100/2300	0.65/0.71	23/25	2.7/2.9	0.11/0.11	28/31
SK92AP-11-3	110 (100V~120V)	50/60	0.07/0.06	7/6	1700/1750	0.53/0.59	19/21	1.8/2.0	0.07/0.08	26/26
SK92AP-22-1	220 (200V~230V)	50/60	0.08/0.07	15/13	2400/2900	0.76/0.93	27/33	4.0/6.0	0.16/0.24	31/38
SK92AP-22-2	220 (200V~230V)	50/60	0.06/0.05	10/9	2100/2350	0.65/0.71	23/25	2.7/2.9	0.11/0.11	28/32
SK92AP-22-3	220 (200V~230V)	50/60	0.05/0.04	7/6	1650/1850	0.53/0.59	9/21	1.8/2.0	0.07/0.08	23/27

Customised Item : Frameless, Double Voltage



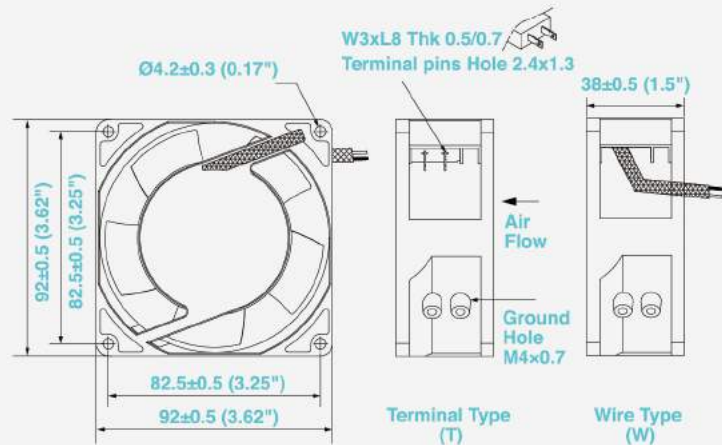
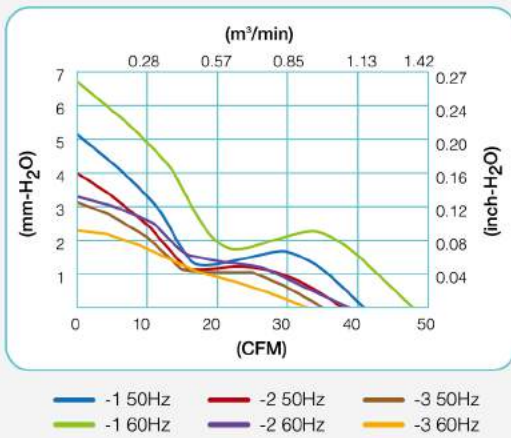
AC FAN SK938AP

92X92X38mm(3.62"×1.5") 33~48 CFM



馬達	Motor	Shaded pole, impedance protected
外殼	Housing / Frame	Die-cast aluminum, Painted black (AP)
風葉	Impeller	PBT thermoplastic + glass fiber, UL 94V-0
軸承	Bearing Type	Two-ball or sleeve available
接電方式	Connection	T-Terminal push-on type or W-Lead wire type
耐壓	Dielectric Strength	1 min. at 1,500VAC, 50/60Hz
溫度範圍	Operating Temp	Ball bearing -20°C~+70°C Sleeve bearing -10°C~+55°C
壽命	Life Expectancy	Ball bearing 60,000 hours at 40°C Sleeve bearing 30,000 hours at 40°C
淨重	Net Weight	450 gm (0.99 pound)
認證	Safety Approvals	UL, CUL, TUV, CE, RoHS

SK938 P-Q Curves



Model No.	Rated VAC	Freq. Hz	Rated Input Amp	Rated Input Watt	Rated Speed RPM	Max. Air Flow m³/min CFM	Max. Static Pressure mm-H₂O inch-H₂O	Noise Level (dB)
型號	電壓	頻率	電流	功率	轉速	最大風量	最大風壓	噪音
SK938AP-11-1	110 (100V~120V)	50/60	0.12/0.11	14/12	2700/3200	1.16/1.36 41/48	5.1/6.7 0.20/0.26	34/39
SK938AP-11-2	110 (100V~120V)	50/60	0.07/0.06	11/9	2400/2550	1.08/1.10 38/39	4.0/3.3 0.16/0.13	32/35
SK938AP-11-3	110 (100V~120V)	50/60	0.05/0.04	7/5	2200/1950	0.99/0.93 35/33	3.2/2.3 0.13/0.09	30/27
SK938AP-22-1	220 (200V~230V)	50/60	0.06/0.05	14/12	2600/3050	1.16/1.36 41/48	5.1/6.7 0.20/0.26	33/38
SK938AP-22-2	220 (200V~230V)	50/60	0.05/0.04	11/9	2400/2550	1.08/1.10 38/39	4.0/3.3 0.16/0.13	32/35

Customised Item : Frameless, Double Voltage, FG,RD



YTK CO.,LTD.
Http://www.ytk-group.co.jp

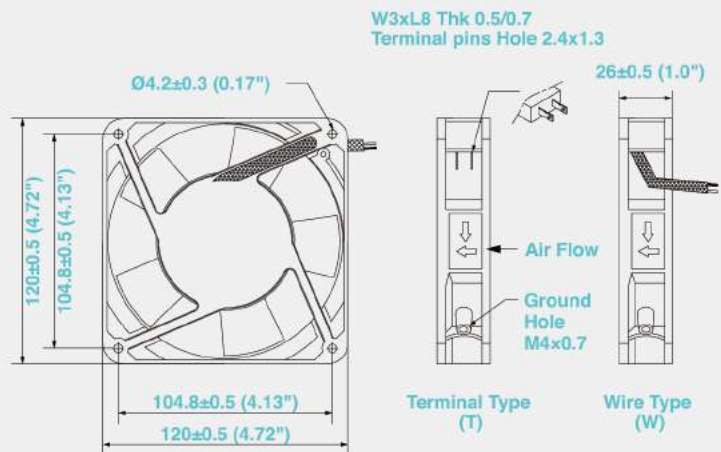
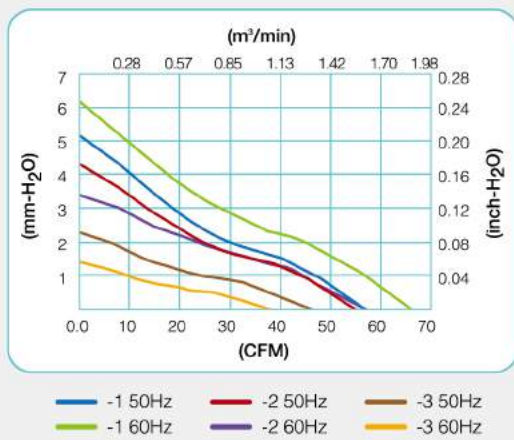
AC FAN SK125AP

120X120X25mm(4.72"x1") 38~66 CFM



馬達	Motor	Shaded pole, impedance protected
外殼	Housing / Frame	Die-cast aluminum, Painted black (AP) or Plated (AN)
風葉	Impeller	PBT thermoplastic + glass fiber, UL 94V-0
軸承	Bearing Type	Two-ball or sleeve available
接電方式	Connection	T-Terminal push-on type or W-Lead wire type
耐壓	Dielectric Strength	1 min. at 1,500VAC, 50/60Hz
溫度範圍	Operating Temp	Ball bearing -20°C~+70°C Sleeve bearing -10°C~+55°C
壽命	Life Expectancy	Ball bearing 60,000 hours at 40°C Sleeve bearing 30,000 hours at 40°C
淨重	Net Weight	390 gm (0.86 pound)
認證	Safety Approvals	UL, CUL, TUV, CE, RoHS

SK125 P-Q Curves



Model No.	Rated VAC	Freq. Hz	Rated Input Amp	Rated Input Watt	Rated Speed RPM	Max. Air Flow m ³ /min	Max. Air Flow CFM	Max. Static Pressure mm-H ₂ O	Max. Static Pressure inch-H ₂ O	Noise Level (dB)
型號	電壓	頻率	電流	功率	轉速	最大風量		最大風壓		噪音
SK125AP-11-1	110 (100V~120V)	50/60	0.25/0.20	17/15	2550/3000	1.61/1.87	57/66	5.2/6.2	0.20/0.24	44/48
SK125AP-11-2	110 (100V~120V)	50/60	0.09/0.08	12/10	2400/2600	1.56/1.61	55/57	4.3/3.4	0.17/0.13	42/45
SK125AP-11-3	110 (100V~120V)	50/60	0.06/0.05	8/6	2100/1900	1.30/1.08	46/38	2.3/1.4	0.09/0.06	39/35
SK125AP-22-1	220 (200V~230V)	50/60	0.09/0.07	17/15	2550/3000	1.61/1.87	57/66	5.2/6.2	0.20/0.24	44/48
SK125AP-22-2	220 (200V~230V)	50/60	0.06/0.05	12/10	2400/2600	1.56/1.61	55/57	4.3/3.4	0.17/0.13	42/45
SK125AP-22-3	220 (200V~230V)	50/60	0.05/0.04	8/6	2000/1750	1.30/1.08	46/38	2.3/1.4	0.09/0.06	36/31

Customised Item : Frameless, Double Voltage



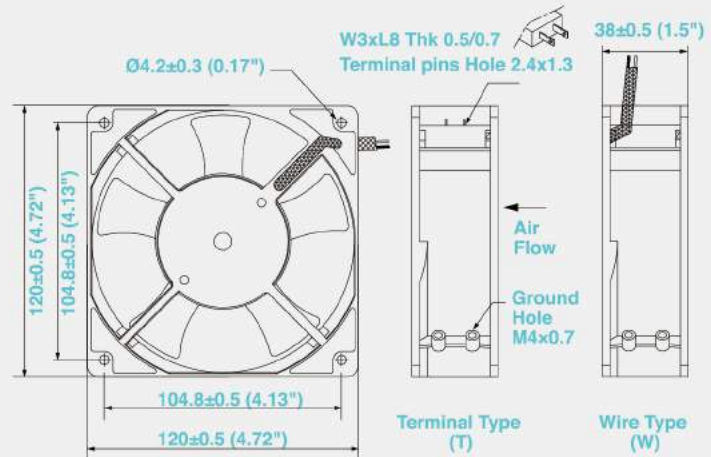
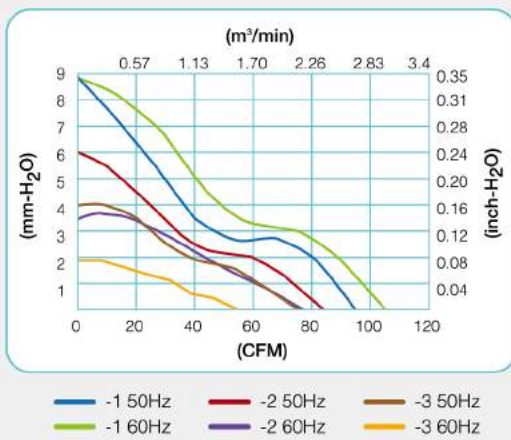
AC FAN SK109AP

120X120X38mm(4.72"×1.5") 55~105 CFM



馬達	Motor	Shaded pole, impedance protected
外殼	Housing / Frame	Die-cast aluminum, Painted black (AP) or Plated (AN)
風葉	Impeller	PBT thermoplastic + glass fiber, UL 94V-0
軸承	Bearing Type	Two-ball or sleeve available
接電方式	Connection	T-Terminal push-on type or W-Lead wire type
耐壓	Dielectric Strength	1 min. at 1,500VAC, 50/60Hz
溫度範圍	Operating Temp	Ball bearing -20°C~+70°C Sleeve bearing -10°C~+55°C
壽命	Life Expectancy	Ball bearing 60,000 hours at 40°C Sleeve bearing 30,000 hours at 40°C
淨重	Net Weight	550 gm (1.2 pounds)
認證	Safety Approvals	UL, CUL, TUV, CE, RoHS

SK109 P-Q Curves



Model No.	Rated VAC	Freq. Hz	Rated Input Amp	Rated Input Watt	Rated Speed RPM	Max. Air Flow m ³ /min CFM	Max. Static Pressure mm-H ₂ O inch-H ₂ O	Noise Level (dB)
型號	電壓	頻率	電流	功率	轉速	最大風量	最大風壓	噪音
SK109AP-11-1	110 (100V~120V)	50/60	0.25/0.21	17/15	2650/3000	2.6/2.9 95/105	8.9/8.9 0.35/0.35	45/49
SK109AP-11-2	110 (100V~120V)	50/60	0.14/0.13	12/11	2500/2400	2.3/2.2 84/77	6.0/3.5 0.24/0.14	43/45
SK109AP-11-3	110 (100V~120V)	50/60	0.10/0.10	9/8	2300/1800	2.2/1.6 76/55	4.0/1.9 0.16/0.07	41/32
SK109AP-22-1	220 (200V~230V)	50/60	0.12/0.10	17/15	2650/3000	2.6/2.9 95/105	8.9/8.9 0.35/0.35	45/49
SK109AP-22-2	220 (200V~230V)	50/60	0.07/0.06	12/11	2500/2400	2.3/2.2 84/77	6.0/3.5 0.24/0.14	43/41
SK109AP-22-3	220 (200V~230V)	50	0.06	9	2050	2.2 76	4.0 0.16	36

Customised Item : Frameless, Double Voltage, FG,RD



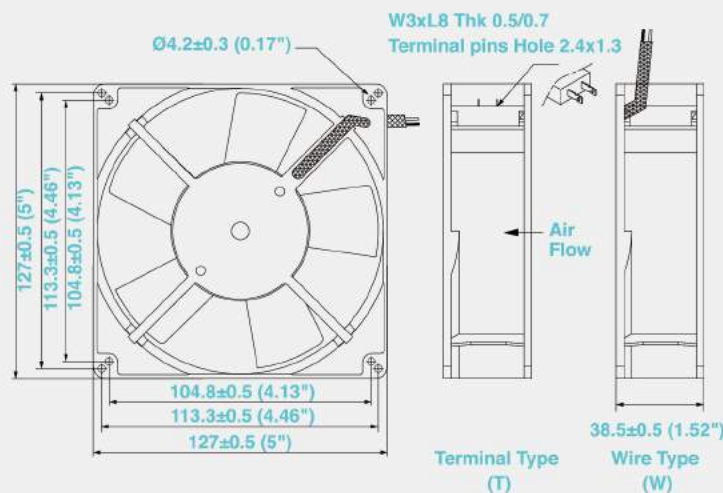
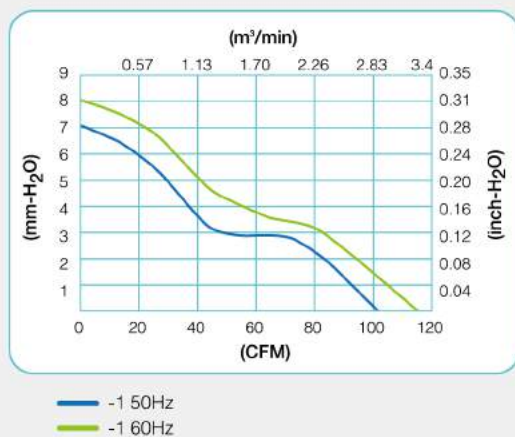
AC FAN SK127AP

127X127X38mm(5"×1.5") 102~116 CFM



馬達	Motor	Shaded pole, impedance protected
外殼	Housing / Frame	Die-cast aluminum, Painted black (AP) or Plated (AN)
風葉	Impeller	PBT thermoplastic + glass fiber, UL 94V-0
軸承	Bearing Type	Two-ball or sleeve available
接電方式	Connection	T-Terminal push-on type or W-Lead wire type
耐壓	Dielectric Strength	1 min. at 1,500VAC, 50/60Hz
溫度範圍	Operating Temp	Ball bearing -20°C~+70°C Sleeve bearing -10°C~+55°C
壽命	Life Expectancy	Ball bearing 60,000 hours at 40°C Sleeve bearing 30,000 hours at 40°C
淨重	Net Weight	590 gm (1.3 pounds)
認證	Safety Approvals	UL, CUL, TUV, CE, RoHS

SK127 P-Q Curves



Model No.	Rated VAC	Freq. Hz	Rated Input Amp	Rated Input Watt	Rated Speed RPM	Max. Air Flow m ³ /min CFM	Max. Static Pressure mm-H ₂ O inch-H ₂ O	Noise Level (dB)
型號	電壓	頻率	電流	功率	轉速	最大風量	最大風壓	噪音
SK127AP-11-1	100 (100V~120V)	50/60	0.218/0.179	18.4/14.6	2700/3000	2.9/3.3 102/116	7.1/8.1 0.28/0.32	50/55
SK127AP-22-1	200 (220V~230V)	50/60	0.106/0.086	19.3/15.1	2700/3000	2.9/3.3 102/116	7.1/8.1 0.28/0.32	50/55

Customised Item : Frameless, Double Voltage, FG,RD



AC FAN SK160AP

160X160X62mm(6.3"×2.44") 345~380 CFM



馬達 Motor

Single phase induction capacitor motor, thermally protected

外殼 Housing / Frame

Die-cast aluminum, Painted black (AP) or Plated (AN)

風葉 Impeller

PBT thermoplastic + glass fiber, UL 94V-0

軸承 Bearing Type

Two-ball bearing

接電方式 Connection

T-Terminal push-on type or W-Lead wire type

耐壓 Dielectric Strength

1 min. at 1,500VAC, 50/60Hz

溫度範圍 Operating Temp

Recommended ambient range -20°C~+70°C

壽命 Life Expectancy

60,000 hours at 40°C

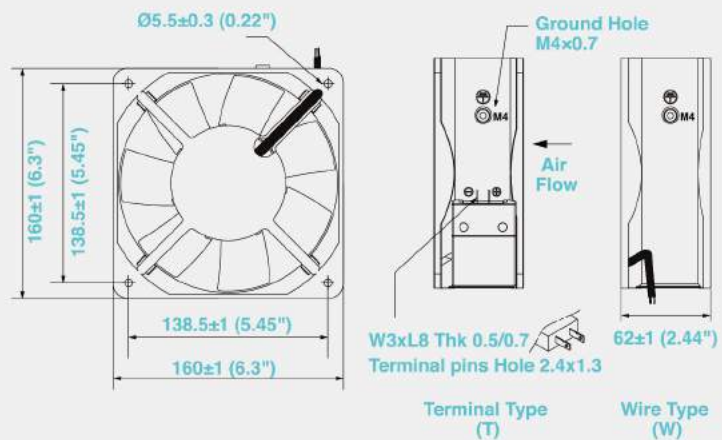
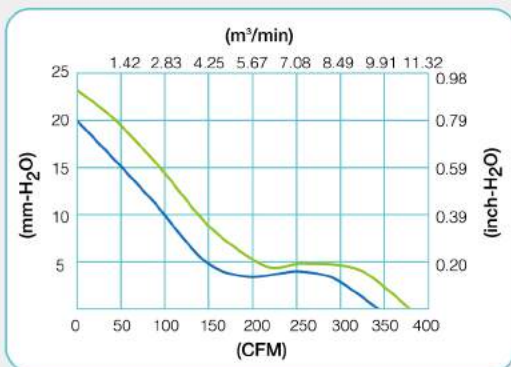
淨重 Net Weight

1.4 kg (3.09 pounds)

認證 Safety Approvals

UL, CUL, TUV, CE, RoHS

SK160 P-Q Curves



Model No.	Rated VAC	Freq. Hz	Rated Input Amp	Rated Input Watt	Rated Speed RPM	Max. Air Flow m ³ /min CFM	Max. Static Pressure mm-H ₂ O inch-H ₂ O	Noise Level (dB)
型號	電壓	頻率	電流	功率	轉速	最大風量	最大風壓	噪音
SK160AP-11-1	110 (100V~120V)	50/60	0.49/0.49	48/55	2800/3100	9.8/10.8 345/380	19.9/23.3 0.78/0.92	60/64
SK160AP-22-1	220 (200V~240V)	50/60	0.25/0.25	48/55	2800/3100	9.8/10.8 345/380	19.9/23.3 0.78/0.92	60/64

Customised Item : Double Voltage, FG,RD



AC FAN SK162AP

172X150X51mm(6.77"×5.91"×2.01") 100~190 CFM



馬達 Motor

外殼 Housing / Frame

風葉 Impeller

軸承 Bearing Type

接電方式 Connection

耐壓 Dielectric Strength

溫度範圍 Operating Temp

壽命 Life Expectancy

淨重 Net Weight

認證 Safety Approvals

Shaded pole, impedance protected or thermally protected

Die-cast aluminum, Painted black (AP) or Plated (AN)

PBT thermoplastic + glass fiber, UL 94V-0

Two-ball bearing

T-Terminal push-on type or W-Lead wire type

1 min. at 1,500VAC, 50/60Hz

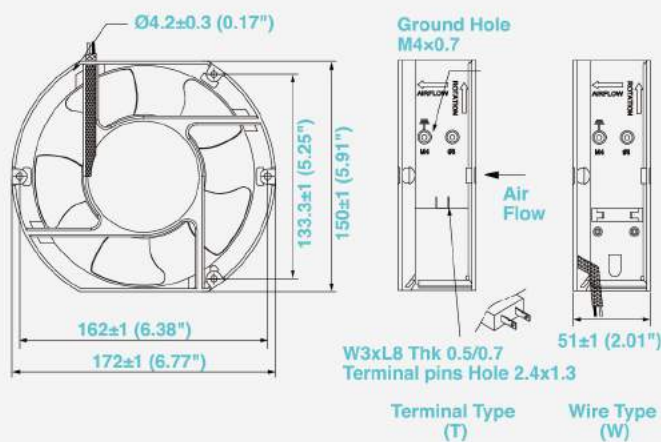
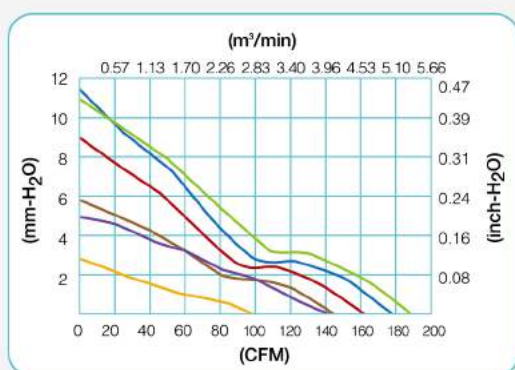
Ambient -20°C~+55°C

60,000 hours at 40°C

1,050 gm (2.31 pounds)

UL, CUL, TUV, CE, RoHS

SK162 P-Q Curves



Model No.	Rated VAC	Freq. Hz	Rated Input Amp	Rated Input Watt	Rated Speed RPM	Max. Air Flow m ³ /min	Max. Air Flow CFM	Max. Static Pressure mm-H ₂ O	Max. Static Pressure inch-H ₂ O	Noise Level (dB)
型號	電壓	頻率	電流	功率	轉速	最大風量		最大風壓		噪音
SK162AP-11-1	110 (100V~120V)	50/60	0.56/0.50	38/36	2600/2850	5.0/5.4	178/190	11.4/11.0	0.45/0.43	50/53
SK162AP-11-2	110 (100V~120V)	50/60	0.28/0.27	25/23	2400/2000	4.6/4.0	162/143	9.0/5.0	0.35/0.20	40/42
SK162AP-11-3	110 (100V~120V)	50/60	0.21/0.19	22/20	2170/1300	4.1/2.8	145/100	5.8/2.8	0.23/0.11	32/34
SK162AP-22-1	220 (200V~230V)	50/60	0.30/0.25	38/36	2600/2850	5.0/5.4	178/190	11.4/11.0	0.45/0.43	50/53
SK162AP-22-2	220 (200V~230V)	50/60	0.17/0.16	25/23	2400/2200	4.6/4.0	162/143	9.0/5.0	0.35/0.20	40/42
SK162AP-22-3	220 (200V~230V)	50/60	0.13/0.12	22/20	2170/1300	4.1/2.8	145/100	5.8/2.8	0.23/0.11	32/34

Customised Item : Frameless, Double Voltage



AC FAN SK165AP

172X150X55mm(6.77"×5.91"×2.17") 160~172 CFM



馬達 Motor

外殼 Housing / Frame

風葉 Impeller

軸承 Bearing Type

接電方式 Connection

耐壓 Dielectric Strength

溫度範圍 Operating Temp

壽命 Life Expectancy

淨重 Net Weight

認證 Safety Approvals

Shaded pole, impedance protected or thermally protected

Die-cast aluminum, Painted black (AP) or Plated (AN)

PBT thermoplastic + glass fiber, UL 94V-0

Two-ball bearing

W-Lead wire type

1 min. at 1,500VAC, 50/60Hz

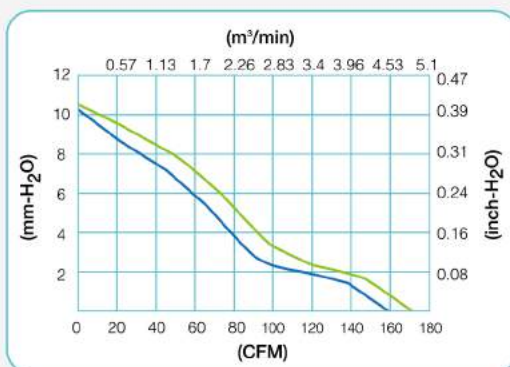
Ambient -20°C~+55°C

60,000 hours at 40°C

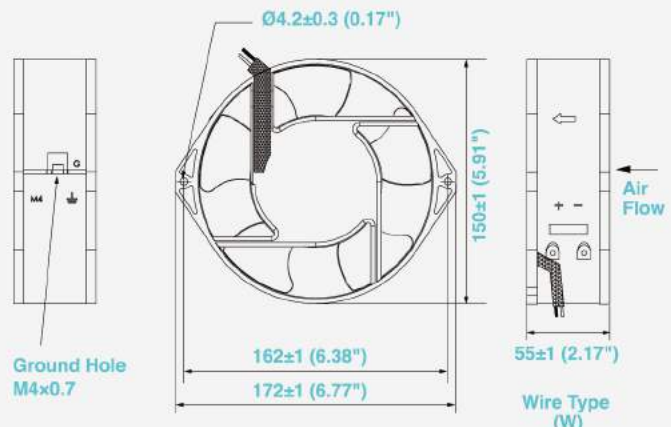
904 gm (1.99 pounds)

UL, CUL, TUV, CE, RoHS

SK165 P-Q Curves



— -1 50Hz
— -1 60Hz



Model No.	Rated VAC	Freq. Hz	Rated Input Amp	Rated Input Watt	Rated Speed RPM	Max. Air Flow m ³ /min CFM	Max. Static Pressure mm-H ₂ O inch-H ₂ O	Noise Level (dB)
型號	電壓	頻率	電流	功率	轉速	最大風量	最大風壓	噪音
SK165AP-11-1	110 (100V~120V)	50/60	0.55/0.47	48.3/39.0	2600/2850	4.5/4.7 160/172	10.3/10.5 0.41/0.41	50/55
SK165AP-22-1	220 (200V~230V)	50/60	0.28/0.23	50.2/40.8	2600/2850	4.5/4.7 160/172	10.3/10.5 0.41/0.41	50/55

Customised Item : Frameless, Double Voltage



AC FAN SK170AP

172X150X51mm(6.77"x5.91"x2.01") 280~315 CFM



馬達 Motor

Single phase induction capacitor motor, thermally protected

外殼 Housing / Frame

Die-cast aluminum, Painted black (AP) or Plated (AN)

風葉 Impeller

PC thermoplastic + glass fiber, UL 94V-0

軸承 Bearing Type

Two-ball bearing

接電方式 Connection

T-Terminal push-on type or W-Lead wire type

耐壓 Dielectric Strength

1 min. at 1,500VAC, 50/60Hz

溫度範圍 Operating Temp

Ambient -20°C~+70°C

壽命 Life Expectancy

60,000 hours at 40°C

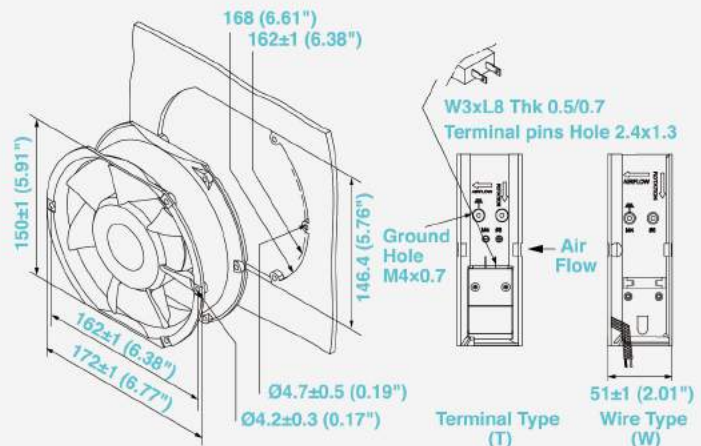
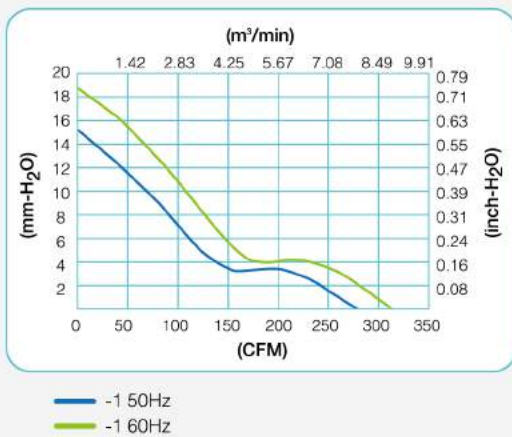
淨重 Net Weight

1,013 gm (2.23 pounds)

認證 Safety Approvals

UL, CUL, TUV, CE, RoHS

SK170 P-Q Curves



Model No.	Rated VAC	Freq. Hz	Rated Input Amp	Rated Input Watt	Rated Speed RPM	Max. Air Flow m³/min CFM	Max. Static Pressure mm-H ₂ O inch-H ₂ O	Noise Level (dB)
型號	電壓	頻率	電流	功率	轉速	最大風量	最大風壓	噪音
SK170AP-11-1	110 (100V~120V)	50/60	0.52/0.52	59/56	2675/3046	7.9/8.9 280/315	15.2/18.7 0.60/0.74	56/59
SK170AP-22-1	220 (200V~240V)	50/60	0.26/0.26	59/56	2609/2960	7.9/8.9 280/315	15.2/18.7 0.60/0.74	56/59

Customised Item : Frameless, Double Voltage, FG,RD



AC FAN SK172AP

172X150X51mm(6.77"x5.91"x2.01") 94~208 CFM



馬達 Motor

外殼 Housing / Frame

風葉 Impeller

軸承 Bearing Type

接電方式 Connection

耐壓 Dielectric Strength

溫度範圍 Operating Temp

壽命 Life Expectancy

淨重 Net Weight

認證 Safety Approvals

Single phase induction capacitor motor, thermally protected or impedance protected

Die-cast aluminum, Painted black (AP) or Plated (AN)

PBT thermoplastic + glass fiber, UL 94V-0

Two-ball bearing

T-Terminal push-on type or W-Lead wire type

1 min. at 1,500VAC, 50/60Hz

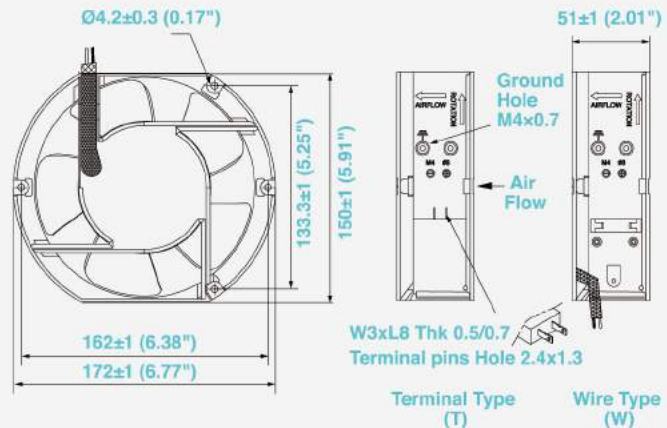
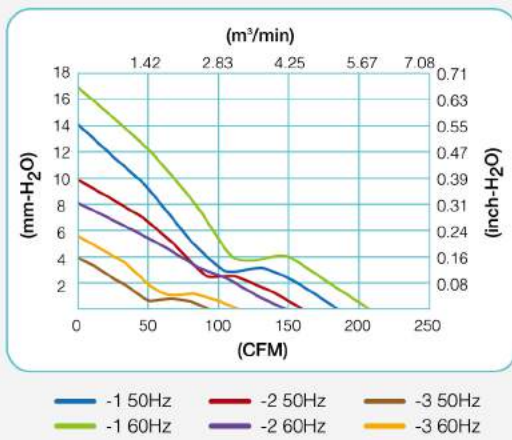
Ambient -20°C~+80°C

60,000 hours at 40°C

1,050 gm (2.31 pounds)

UL, CUL, TUV, CE, RoHS

SK172 P-Q Curves



Model No.	Rated VAC	Freq. Hz	Rated Input Amp	Rated Input Watt	Rated Speed RPM	Max. Air Flow m ³ /min CFM	Max. Static Pressure mm-H ₂ O inch-H ₂ O	Noise Level (dB)
型號	電壓	頻率	電流	功率	轉速	最大風量	最大風壓	噪音
SK172AP-11-1	110 (100V~120V)	50/60	0.24/0.25	24/28	2800/3200	5.2/5.9 185/208	14.2/17.0 0.56/0.67	56/60
SK172AP-11-2	110 (100V~120V)	50/60	0.17/0.21	20/23	2550/2400	4.6/4.2 161/149	9.8/8.0 0.39/0.31	53/50
SK172AP-11-3	110 (100V~120V)	50/60	0.16/0.20	16/18	1450/1750	2.6/3.3 94/116	3.9/5.6 0.15/0.22	36/42
SK172AP-22-1	220 (200V~240V)	50/60	0.12/0.16	24/28	2800/3200	5.2/5.9 185/208	14.2/17.0 0.56/0.67	56/60
SK172AP-22-2	220 (200V~240V)	50/60	0.10/0.12	20/23	2550/2300	4.6/4.2 161/149	9.8/8.0 0.39/0.31	53/50
SK172AP-22-3	220 (200V~240V)	50/60	0.09/0.016	16/18	1450/1750	2.6/3.3 94/116	3.9/5.6 0.15/0.22	36/42

Customised Item : Frameless, Double Voltage, FG,RD



AC FAN SK176AP

176X176X89mm(6.93"×3.5") 358~415 CFM



馬 達 Motor

Single phase induction capacitor motor, thermally protected

外 殼 Housing / Frame

Die-cast aluminum, Painted black (AP) or Plated (AN)

風 葉 Impeller

PC thermoplastic + glass fiber, UL 94V-0

軸 承 Bearing Type

Two-ball bearing

接電方式 Connection

T-Terminal push-on type or W-Lead wire type

耐 壓 Dielectric Strength

1 min. at 1,500VAC, 50/60Hz

溫度範圍 Operating Temp

Recommended ambient range -20°C~+70°C

壽 命 Life Expectancy

60,000 hours at 40°C

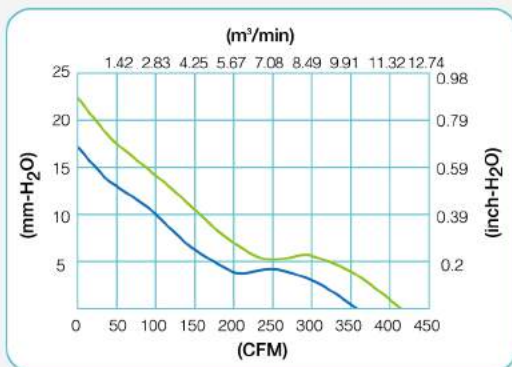
淨 重 Net Weight

2 kg (4.4 pounds)

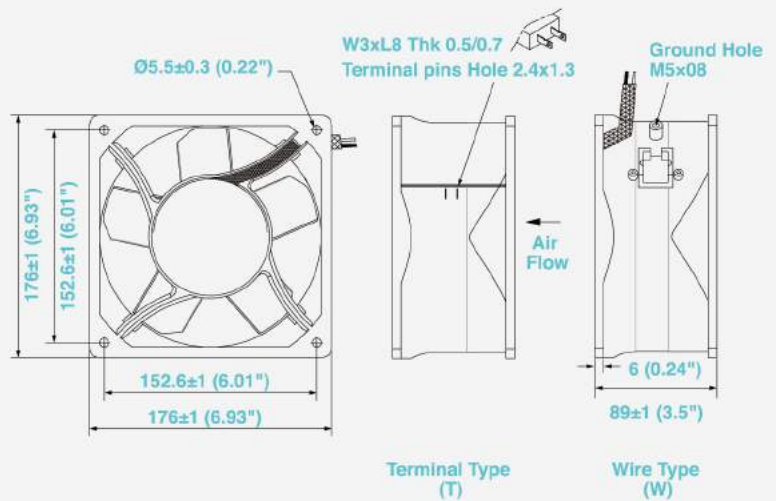
認 證 Safety Approvals

UL, CUL, TUV, CE, RoHS

SK176 P-Q Curves



— -1 50Hz
— -1 60Hz



Model No.	Rated VAC	Freq. Hz	Rated Input Amp	Rated Input Watt	Rated Speed RPM	Max. Air Flow m ³ /min CFM	Max. Static Pressure mm-H ₂ O inch-H ₂ O	Noise Level (dB)
型 號	電 壓	頻 率	電 流	功 率	轉 速	最 大 風 量	最 大 風 壓	噪 音
SK176AP-11-1	110 (100V~120V)	50/60	0.57/0.48	50/52	2800/3250	10.2/11.7 358/415	17.3/22.4 0.68/0.88	61/64
SK176AP-22-1	220 (200V~240V)	50/60	0.21/0.23	43/52	2800/3250	10.2/11.7 358/415	17.3/22.4 0.68/0.88	61/64

Customised Item : Double Voltage, FG,RD



AC FAN SK180AP

180X180X65mm(7.09"×2.56") 366~420 CFM



馬達 Motor

外殼 Housing / Frame

風葉 Impeller

軸承 Bearing Type

接電方式 Connection

耐壓 Dielectric Strength

溫度範圍 Operating Temp

壽命 Life Expectancy

淨重 Net Weight

認證 Safety Approvals

Single phase induction capacitor motor, thermally protected

Die-cast aluminum, Painted black (AP) or Plated (AN)

PC thermoplastic + glass fiber, UL 94V-0

Two-ball bearing

T-Terminal push-on type or W-Lead wire type

1 min. at 1,500VAC, 50/60Hz

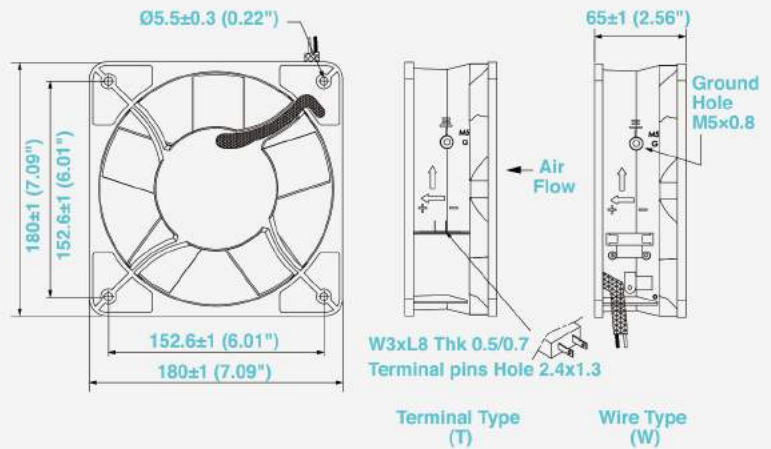
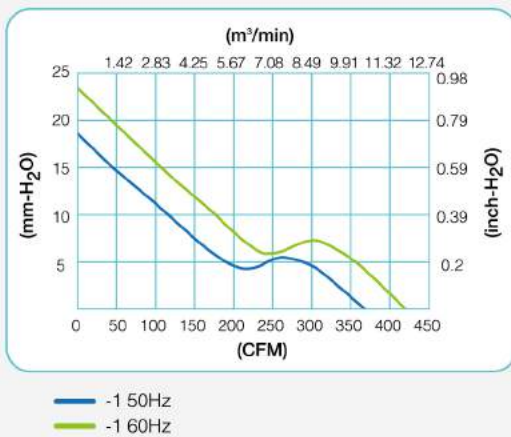
Recommended ambient range -20°C~+70°C

60,000 hours at 40°C

1.8 kg (3.97 pounds)

UL, CUL, TUV, CE, RoHS

SK180 P-Q Curves



Model No.	Rated VAC	Freq. Hz	Rated Input Amp	Rated Input Watt	Rated Speed RPM	Max. Air Flow m ³ /min CFM	Max. Static Pressure mm-H ₂ O inch-H ₂ O	Noise Level (dB)
型號	電壓	頻率	電流	功率	轉速	最大風量	最大風壓	噪音
SK180AP-11-1	110 (100V~120V)	50/60	0.54/0.50	50/52	2800/3250	10.3/11.9 366/420	18.8/23.6 0.74/0.93	60/63
SK180AP-22-1	220 (200V~240V)	50/60	0.23/0.24	43/52	2800/3250	10.3/11.9 366/420	18.8/23.6 0.74/0.93	60/63

Customised Item : Double Voltage, FG,RD



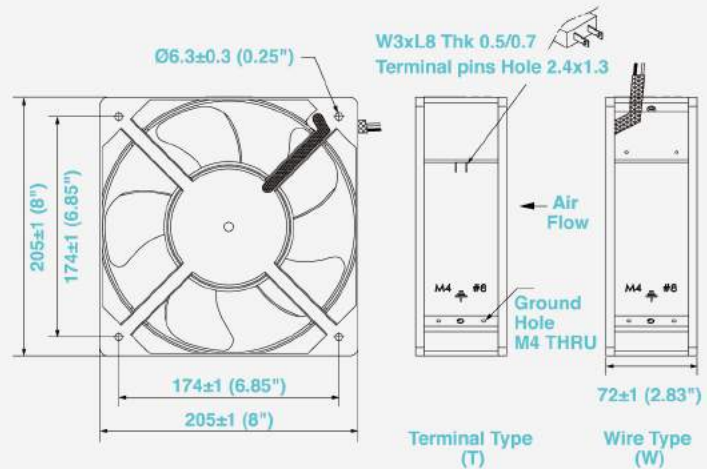
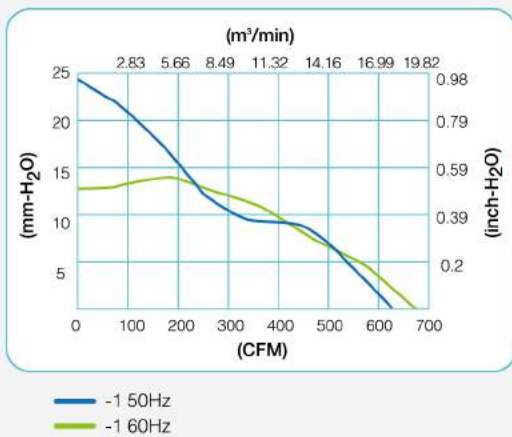
AC FAN SK205AP

205X205X72mm(8"×2.83") 620~670 CFM



馬達	Motor	Single phase induction capacitor motor, thermally protected
外殼	Housing / Frame	Die-cast aluminum, Painted black (AP) or Plated (AN)
風葉	Impeller	PC thermoplastic + glass fiber, UL 94V-0
軸承	Bearing Type	Two-ball bearing
接電方式	Connection	T-Terminal push-on type or W-Lead wire type
耐壓	Dielectric Strength	1 min. at 1,500VAC, 50/60Hz
溫度範圍	Operating Temp	Recommended ambient range -20°C~+70°C
壽命	Life Expectancy	60,000 hours at 40°C
淨重	Net Weight	2.1 kg (4.6 pounds)
認證	Safety Approvals	UL, CUL, TUV, CE, RoHS

SK205 P-Q Curves



Model No.	Rated VAC	Freq. Hz	Rated Input Amp	Rated Input Watt	Rated Speed RPM	Max. Air Flow m³/min CFM	Max. Static Pressure mm-H ₂ O inch-H ₂ O	Noise Level (dB)
型號	電壓	頻率	電流	功率	轉速	最大風量	最大風壓	噪音
SK205AP-11-1	110 (100V~120V)	50/60	0.60/1.00	65/102	2850/3250	17.5/19.0 620/670	24.6/13.0 0.97/0.51	68/71
SK205AP-22-1	220 (200V~240V)	50/60	0.30/0.49	65/102	2850/3250	17.5/19.0 620/670	24.6/13.0 0.97/0.51	68/71

Customised Item : Double Voltage, FG,RD



AC FAN SK225AP

225X225X80mm(8.86"×3.15") 620~735 CFM



馬達 Motor

Single phase induction capacitor motor, thermally protected

外殼 Housing / Frame

Die-cast aluminum, Painted black (AP) or Plated (AN)

風葉 Impeller

PC thermoplastic + glass fiber, UL 94V-0

軸承 Bearing Type

Two-ball bearing

接電方式 Connection

T-Terminal push-on type or W-Lead wire type

耐壓 Dielectric Strength

1 min. at 1,500VAC, 50/60Hz

溫度範圍 Operating Temp

Recommended ambient range -20°C~+70°C

壽命 Life Expectancy

60,000 hours at 40°C

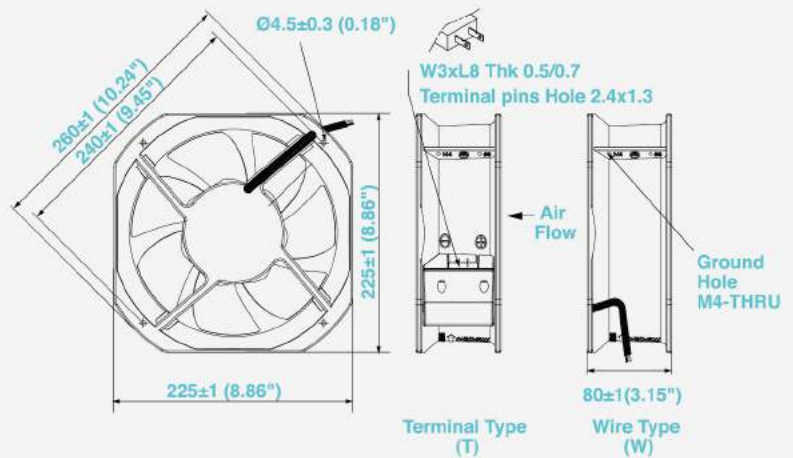
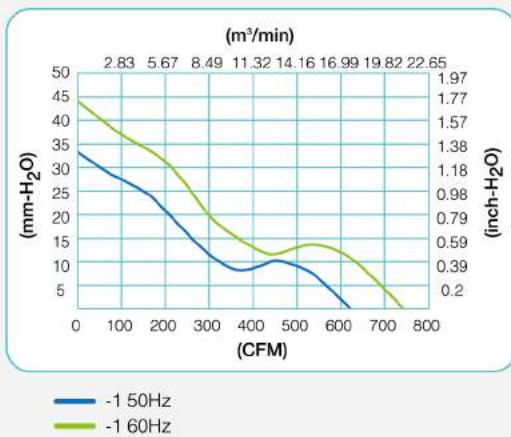
淨重 Net Weight

2.88 kg (6.35 pound)

認證 Safety Approvals

UL, CUL, TUV, CE, RoHS

SK225 P-Q Curves



Model No.	Rated VAC	Freq. Hz	Rated Input Amp	Rated Input Watt	Rated Speed RPM	Max. Air Flow m ³ /min CFM	Max. Static Pressure mm-H ₂ O inch-H ₂ O	Noise Level (dB)
型號	電壓	頻率	電流	功率	轉速	最大風量	最大風壓	噪音
SK225AP-11-1	110 (100V~120V)	50/60	0.97/0.97	77/105	2920/3450	17.6/20.8 620/735	33.0/43.9 1.30/1.73	63/67
SK225AP-22-1	220 (200V~240V)	50/60	0.44/0.44	87/105	2920/3450	17.6/20.8 620/735	33.0/43.9 1.30/1.73	63/67

Customised Item : Double Voltage



AC FAN SK254AP

254X89mm(10"×3.5") 470~685 CFM



馬達 Motor

外殼 Housing / Frame

風葉 Impeller

軸承 Bearing Type

接電方式 Connection

耐壓 Dielectric Strength

溫度範圍 Operating Temp

壽命 Life Expectancy

淨重 Net Weight

認證 Safety Approvals

Single phase induction capacitor motor, thermally protected

Die-cast aluminum, Painted black (AP) or Plated (AN)

PC thermoplastic + glass fiber, UL 94V-0

Two-ball bearing

T-Terminal push-on type or W-Lead wire type

1 min. at 1,500VAC, 50/60Hz

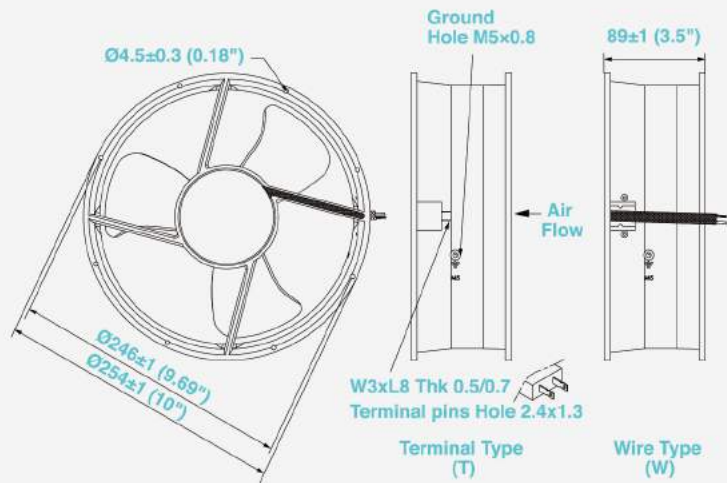
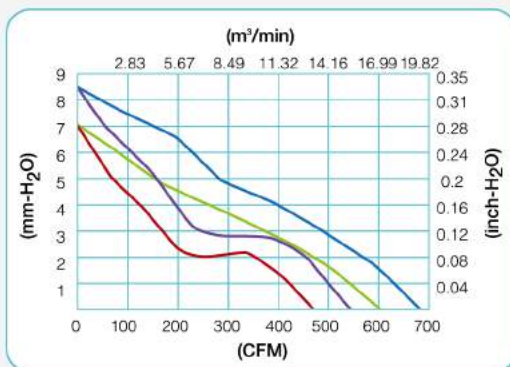
Recommended ambient range -20°C~+70°C

60,000 hours at 40°C

2 kg (4.4 pounds)

UL, CUL, TUV, CE, RoHS

SK254 P-Q Curves



Model No.	Rated VAC	Freq. Hz	Rated Input Amp	Rated Input Watt	Rated Speed RPM	Max. Air Flow m³/min CFM	Max. Static Pressure mm-H ₂ O inch-H ₂ O	Noise Level (dB)
型號	電壓	頻率	電流	功率	轉速	最大風量	最大風壓	噪音
SK254AP-11-1	110 (100V~120V)	50/60	0.55/0.62	60/67	2100/1800	19.4/17.1 685/605	8.6/7.1 0.34/0.28	61/58
SK254AP-11-2	110 (100V~120V)	50/60	0.22/0.24	34/37	1400/1600	13.3/15.5 470/546	7.0/8.6 0.28/0.34	54/56
SK254AP-22-1	220 (200V~240V)	50/60	0.26/0.30	60/67	2100/1800	19.4/17.1 685/605	8.6/7.1 0.34/0.28	61/58
SK254AP-22-2	220 (200V~240V)	50/60	0.16/0.14	34/37	1400/1600	13.3/15.5 470/546	7.0/8.6 0.28/0.34	54/56

Customised Item : Double Voltage, FG,RD



AC FAN SK280AP

280X280X89mm(11.02"×11.02"×3.5") 680~1465 CFM



馬達 Motor

Single phase induction capacitor motor, thermally protected

外殼 Housing / Frame

Die-cast aluminum, Painted black (AP) or Plated (AN)

風葉 Impeller

PPS thermoplastic + glass fiber, UL 94V-0

軸承 Bearing Type

Two-ball bearing

接電方式 Connection

T-Terminal push-on type or W-Lead wire type

耐壓 Dielectric Strength

1 min. at 1,500VAC, 50/60Hz

溫度範圍 Operating Temp

Recommended ambient range -20°C~+70°C

壽命 Life Expectancy

60,000 hours at 40°C

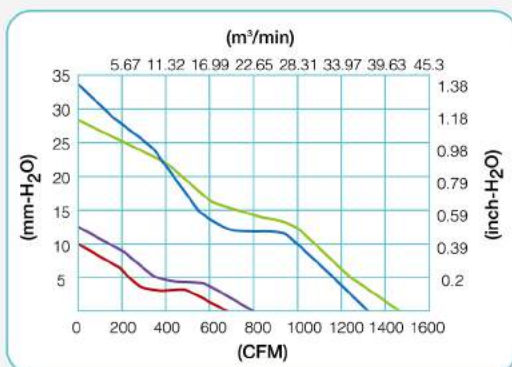
淨重 Net Weight

4.24 kg (9.34 pounds)

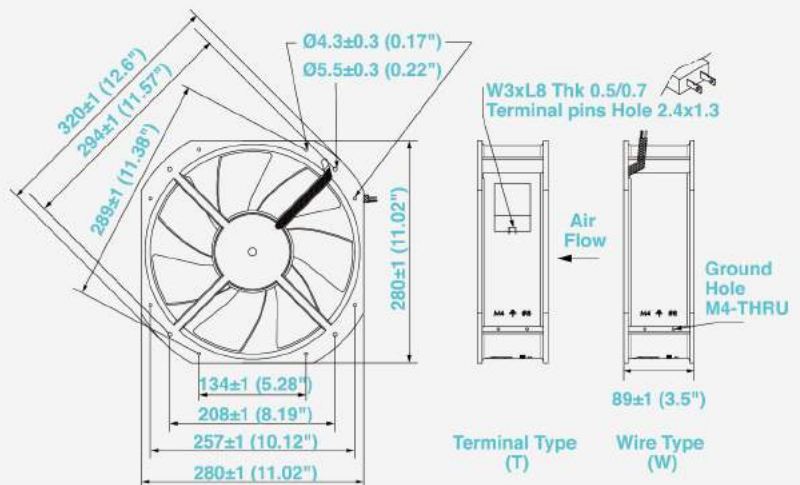
認證 Safety Approvals

UL, CUL, TUV, CE, RoHS

SK280 P-Q Curves



— -1 50Hz — -2 50Hz
— -1 60Hz — -2 60Hz



Model No.	Rated VAC	Freq. Hz	Rated Input Amp	Rated Input Watt	Rated Speed RPM	Max. Air Flow m³/min CFM	Max. Static Pressure mm-H ₂ O inch-H ₂ O	Noise Level (dB)
型號	電壓	頻率	電流	功率	轉速	最大風量	最大風壓	噪音
SK280AP-11-1	110 (100V~120V)	50/60	1.70/2.84	185/300	2800/3200	37.5/41.5 1325/1465	33.7/28.5 1.33/1.12	73/75
SK280AP-11-2	110 (100V~120V)	50/60	0.82/0.67	61/60	1500/1700	19.3/22.6 680/800	9.8/12.6 0.39/0.50	56/59
SK280AP-22-1	220 (200V~240V)	50/60	0.80/1.29	185/290	2800/3200	37.5/41.5 1325/1465	33.7/28.5 1.33/1.12	73/75
SK280AP-22-2	220 (200V~240V)	50/60	0.42/0.35	62/65	1500/1700	19.3/22.6 680/800	9.8/12.6 0.39/0.50	56/59

Customised Item : Double Voltage



Fan Tray

4" 烤漆板組合風扇 4" Rack Mount Fan Panels

4" L-1



4" L-2



4" L-3



4" L-4



4" L-5



4" L-6



6" 烤漆板組合風扇 6" Rack Mount Fan Panels

6" L-1



6" L-2



6" L-3



Accessories

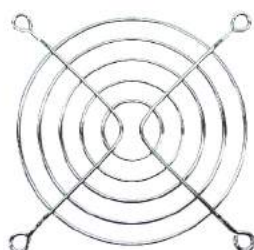
鐵網

Metal Fan Guard

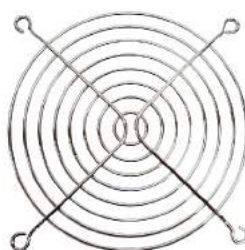
80mm (3")



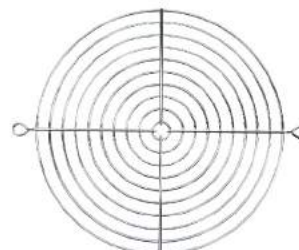
92mm (3.5")



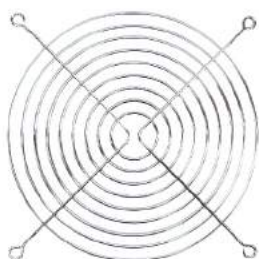
120mm (4")



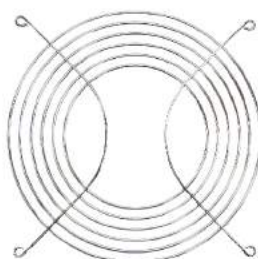
172mm (6")



180mm (7")



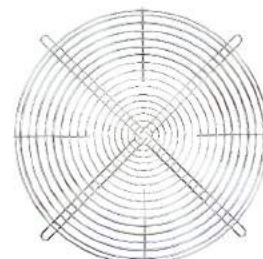
205mm (8")



254mm (10")



280mm (11")



電線

Power Cord



SPT-1
3尺1
(94cm)

SPT-2
3尺1
(94cm)



SPT-1
雙頭5尺
(151.5cm)

SPT-2
雙頭5尺
(151.5cm)



SPT-2
5尺半
(166.8cm)

SPT-1
8尺
(242cm)

