

### 型号注释 MODLE NOTES

**MP - 20R - X - 100**

MP系列磁力驱动循环泵  
MP series magnetic-driving circulating pump

产品规格 Product specs

无代号为普通型; M为进出口用螺丝接口, X为大流量型, Z为高扬程型, T为特殊用途, N为改进型

Non-code means the ordinary type, M means the thread interface of both inlet and outlet; X means the large capacity type, Z means the high-head type, T means the special application type. N means the modified type.

无代号电压为220V; 100为100V, 380为380V  
Non-code means 220V; 100 means 100V; 380 means 380V

**MPH - 40 - 0 - CV - 5 - D**

出口直径代号:  
42为出口直径为40mm; 40为出口直径36mm  
Discharge port diameter, 42 shows 40mm; 40 shows 36mm

MPH系列塑料磁力驱动循环泵  
MPH series magnetic-driving circulating pump

电机输出功率; Motor Output Power  
0:0.4kw; 1:0.75kw; 2:1.5kw, 3:2.2kw

材质: (轴承/泵轴/密封圈)碳/高铝陶瓷/氟橡胶  
material (bearing/pump shaft/sealing) carbon/high-AL ceramic/F-rubber

5: 50Hz 6: 60Hz

针点接触系统  
pin-point contacting bearing system

### 产品抗化学腐蚀的状况表 CHEMICAL RESISTANCE GUIDE

抗化学腐蚀标签注释:

- A —优秀
- B —好
- C —一般
- X —不能接受
- —不能用

液体最高温度标签注释:

- 1—20摄氏度(68华氏度)
- 2—40摄氏度(104华氏度)
- 3—60摄氏度(140华氏度)
- 4—80摄氏度(176华氏度)
- 5—100摄氏度(212华氏度)
- 6—120摄氏度(248华氏度)

CHEMICAL RESISTANCE RATINGS:

- A —Excellent
- B —Good
- C —Fair
- X —Not recommended
- —Data not available

MAXIMUM OPERATING TEMPERATURE:

- 1—20°C(68F)
- 2—40°C(104F)
- 3—60°C(140F)
- 4—80°C(176F)
- 5—100°C(212F)
- 6—120°C(248F)

### 工业用途 APPLICATIONS

- 化学工业 Chemical Industry
- 药剂业 Pharmaceutical Industry
- 电镀业 Electric Plate
- 照片冲洗业 Photograph Processing
- 电器用具业 Electric Appliance
- 金属工业 Metal Industry
- 矿业 Mineral Industry
- 食品工业 Food Industry
- 医疗 Medicine Remedy
- 水处理 Water Treatment
- 污染控制 Pollution Control
- 饮水系统 Drinking Water Process

化学药品 CHEMICAL		材料 MATERIAL						
		聚丙烯 PP	聚四氟乙烯 PTFE	氟橡胶 FKM	丁腈橡胶 CHEMIGUM	三元乙丙橡胶 EPDM	95陶瓷 95Ceramic	高密度碳 HIGH DENSITY CARBON
硫酸 Sulfuric Acid	0-10%	A4	A6	A6	B2	A4	A5	A6
	10-75%	A3	A6	A4	X	A3	A5	A6
	75-100%	B2	A4	A4	-	B2	A5	A4
硝酸 Nitric Acid	10%	A3	A5	A5	X	A2	A5	A6
	30%	A2	A6	A6	X	A2	A5	A6
	50%	B2	A3	A1	X	X	A5	A5
盐酸 Hydrochloric Acid	0-25%	A4	A6	A3	B1	A3	A5	A6
	25-40%	A4	A6	B2	X	C2	A5	A6
氢氟酸 Hydrofluoric Acid	10%	B2	A6	A3	X	A3	-	A3
	30%	C2	A6	A4	-	B3	-	A3
	60%	X	A6	A4	-	C2	-	A2
醋酸 Acetic Acid	20%	A2	A6	B1	B2	A2	A5	A4
	80%	B1	A6	X	-	-	A5	A4
氢氧化钠 Sodium Hydroxide	20%	A3	A6	B1	B2	A3	-	A3
	50%	A3	A6	X	B1	A4	-	A3
溴水 Bromine Water		C1	A3	A2	-	X	A1	A2
乙醇 Ethyl Alcohol		A2	A3	A3	X	B3	A3	A5
丙酮 Acetone		A2	A6	X	-	B2	A3	A5
氟里昂 12 Freon 12		X	A6	A1	X	B1	A4	A4
氯化铝 Aluminum Chloride		A4	A6	A5	B4	A4	A4	A5
氨水 Ammonia Liquid		A1	A6	C1	B4	B3	A3	A5
王水 Aqua Regia		C2	A5	B2	-	C2	A4	-
甲醛 Formaldehyde		A4	A6	A4	X	A4	A4	A5
汽油 Gasolines		X	A6	B3	B3	X	A4	A6
煤油 Kerosens		A1	A6	A1	B1	X	A4	A6
甲醇 Methyl Alcohol		A3	A6	B2	B4	A3	A5	A6
甲苯 Toluene		C1	A4	B1	-	X	A5	A4
三氯乙烯 Trichloroethylene		C1	A6	A1	-	X	A4	A6
二甲苯 Xylene		X	A6	B1	-	X	A5	A5
无水硝酸 Nitric Acid Anhydrous		C1	A3	A1	-	X	A5	A2
发烟硫酸 Oleum		X	A6	A4	-	X	A5	A2
氢氧化钾 Potassium Hydroxide		A4	A6	B1	-	X	-	A6

注: 95陶瓷—含氧化铝95%陶瓷  
Note: 95 ceramic means containing 95 percent of alumina.

# MP系列磁力泵 MAGNETIC PUMP

## 工作条件 WORKING CONDITIONS

环境温度  
Ambient Temperature : 0°C-40°C

介质温度  
Medium Temperature : 0°C-100°C

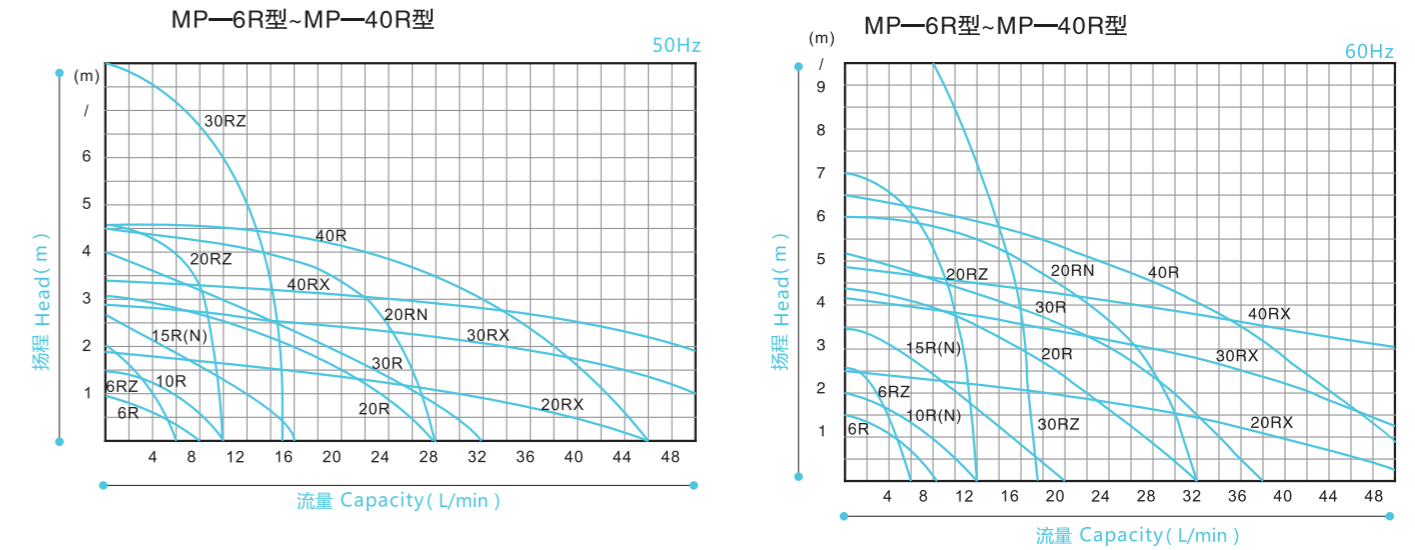
## 规格 SPECIFICATIONS



型号 Model	软管接入式 Tube Interface		螺纹接口式 Thread Interface		最大流量 Max.Capacity (L/min) 50/60Hz	最高扬程 Max.Head (M) 50/60Hz	标准输出量 Standard Capacity		比重 Specific Gravity	马达 Motor	
	入口 Inter (mm)	出口 Outlet (mm)	出入口 Out-Inlet (inch)	活管 Tube (mm)			流量 Capacity (L/Min) 50/60Hz	扬程 Head (M) 50/60Hz		输出 Output (W) 50/60Hz	相 Phase
MP-6R	14	14	-	-	8/9	1/1.4	2.8/5	0.8	<1.2	6	1
MP-6RZ	14	14	-	-	5.5/6	2.1/2.7	3.2/4.5	0.8	<1.1	6	1
MP-10RN	14	14	-	-	11/12	1.5/2.1	5/8	1	<1.1	6	1
MP-10RM	-	-	1/2	1/2	11/12	1.5/2.1	5/8	1	<1.1	6	1
MP-15R	16	16	-	-	16/19	2.7/3.4	8/12	1.5	<1.3	10	1
MP-15RN	16	16	-	-	16/19	2.7/3.4	8/12	1.5	<1.3	10	1
MP-15RM	-	-	1/2	13	16/19	2.4/3.4	8/12	1.5	<1.3	10	1
MP-20R	18	18	-	-	27/32	3.1/4.3	17/22	2	<1.2	15	1
MP-20RN	20	20	3/8	13	28/33	4.5/6.1	20/31	3	<1.1	20	1
MP-20RM	-	-	3/4	16	27/32	3.1/4.3	17/22	2	<1.2	15	1
MP-20RX	26	26	-	-	46/52	1.8/2.5	30/40	1	<1.3	15	1
MP-20RXM	-	-	1	20	46/52	1.8/2.5	30/40	1	<1.3	15	1
MP-20RZ	18	18	-	-	10/11	4.6/6.9	7/10	4	<1.1	15	1
MP-20RZM	-	-	3/4	13	10/11	4.6/6.9	7/10	4	<1.1	15	1
MP-30R	20	20	-	-	33/38	3.8/5.4	16/25	2.5	<1.3	25	1
MP-30RM	-	-	3/4	16	33/38	3.8/5.4	16/25	2.5	<1.3	25	1
MP-30RX	26	26	-	-	62/72	2.9/4.1	32/46	2	<1.1	25	1
MP-30RXM	-	-	1	20	62/72	2.9/4.1	32/46	2	<1.1	25	1
MP-30RZ	18	18	-	-	15/17	8/11	10/14	6	<1.1	25	1
MP-30RZM	-	-	3/4	13	15/17	8/11	10/14	6	<1.1	25	1
MP-40R	20	20	-	-	45/52	4.6/6.5	22/34	4	<1.1	65	1
MP-40RM	-	-	3/4	16	45/52	4.6/6.5	22/34	4	<1.1	65	1
MP-40RX	26	26	-	-	75/85	3.3/4.7	47/65	2	<1.1	65	1
MP-40RXM	-	-	1	20	75/85	3.3/4.7	47/65	2	<1.1	65	1

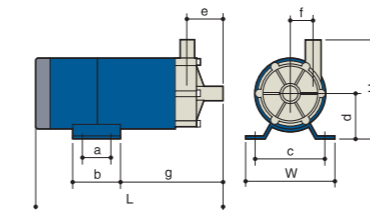
# MP系列磁力泵 MAGNETIC PUMP

## 性能曲线 PERFORMANCE CURVES

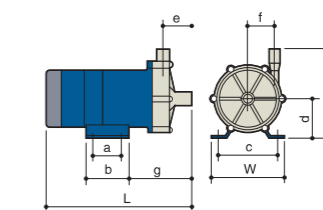


## 外型尺寸 DIMENSIONS

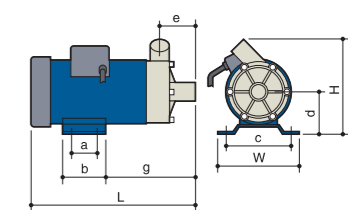
MP-6R·10R·15R·20R·30R·40R



MP-20RZ·30RZ·40RZ



MP-20RX·30RX·40RX



型号	W	H	L	a	b	c	d	e	f	g	i
MP-6R	74	83	129.5	-	30	60	36	31	17	60	2-φ5.4
MP-10R	74	83	129.5	-	30	60	36	31	17	60	2-φ5.4
MP-15R	82	101	197	49	63	68	48	38	23	88	4-6×9
MP-20R	86	115	209	30	50	69	56	39	29	107	4-6×8
MP-20RN	100	112	3/8	50	60	77	52	39	29	136	4-5×9
MP-30R	120	130	250	40	64	100	60	48	31	135	4-9×12
MP-40R	-	-	274	-	-	-	-	-	-	-	-

型号	W	H	L	a	b	c	d	e	f	g	i
MP-20RZ	86	125	211	30	50	69	55	40	39	108	4-5×8
MP-30RZ	120	130	234	40	64	100	60	39	45	120	4-φ9
MP-40RZ	-	150	241	-	-	-	-	-	-	128	-
MP-20RX	86	130	220	30	50	69	56	47	-	105	4-5×8
MP-30RX	120	138	253	40	64	100	60	48	-	138	4φ9
MP-40RX	-	137	276	-	-	-	-	-	-	-	-

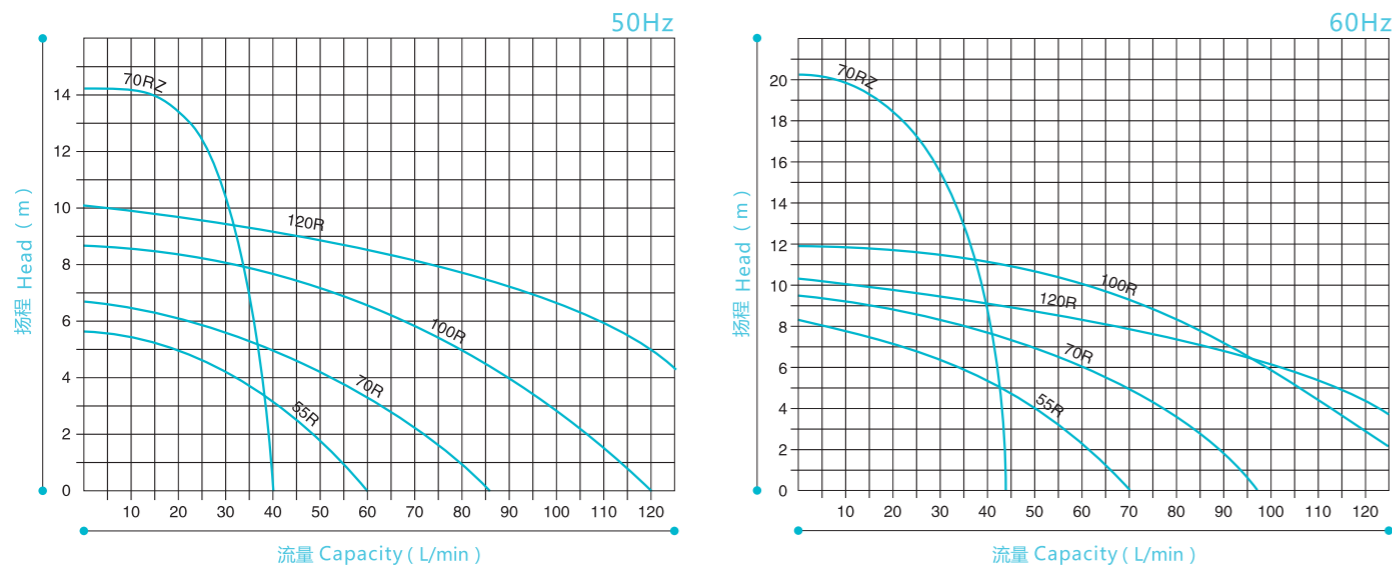
# MP系列磁力泵 MAGNETIC PUMP

## 规格 SPECIFICATIONS

型号 Model	软管接入式 Tube Interface		螺纹接口式 Thread Interface		最大流量 Max.Capacity (L/min) 50/60Hz	最高扬程 Max.Head (M) 50/60Hz	标准输出量 Standard Capacity		比重 Specific Gravity	马达 Motor	
	入口 Inter (mm)	出口 Outlet (mm)	出入口 Out-Inlet (inch)	活管 Tube (mm)			流量 capacity (L/Min) 50/60Hz	扬程 Head (M) 50/60Hz		输出 Output (W) 50/60Hz	相 Phase
MP-55R	26	26	-	-	60/70	5.6/8.2	30/45	4	<1.2	90	1or3
MP-55RM	-	-	1	20	60/70	5.6/8.2	30/45	4	<1.2	90	1or3
MP-55RZ	26	26	-	-	25/28	10/14	15/22	8	<1.1	90	1or3
MP-55RZM	-	-	1	20	25/28	10/14	15/22	8	<1.1	90	1or3
MP-70R	26	26	-	-	86/97	6.7/9.7	50/72	4	<1.1	150	1or3
MP-70RM	-	-	1	20	86/97	6.7/9.7	50/72	4	<1.1	150	1or3
MP-70RZ	20	20	-	-	40/43	14.3/20.3	20/24	12	<1.1	150	1or3
MP-70RZM	-	-	3/4	16	40/43	14.3/20.3	20/24	12	<1.1	150	1or3
MP-100R	26	26	-	-	120/130	8.6/11.6	60/70	7/9	<1.3	250	1or3
MP-100RM	-	-	1	20	120/130	8.6/11.6	60/70	7/9	<1.3	250	1or3
MP-100RX	-	-	1 1/4	32	170	9.0	100	5	<1.3	250	1or3
MP-120R	-	-	1 1/2	36	220	10.5	140	6	<1.3	370	1or3
MP-120RT	-	-	2 1/4	48	220	10.5	140	6	<1.3	370	1or3
MPH-400CV5-D	-	-	1 1/2	36	220	12.5	150	8	<1.3	400	3
MPH-401CV5-D	-	-	1 1/2	36	260	18	120	12	<1.3	750	3

可根据客户参数要求定制 Specification can be customized

## 性能曲线 PERFORMANCE CURVES



### 注:

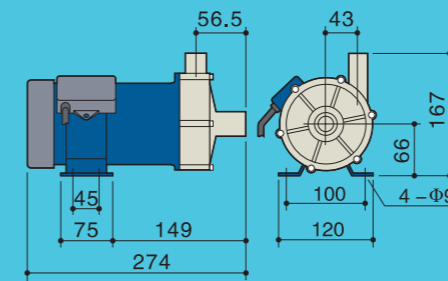
- 1、螺纹接口式泵性能及安装尺寸同软管接口式泵；
- 2、MP-120RT磁力泵接口全新设计，装拆方便快捷，适合于家庭观赏鱼或海洋养殖等行业；
- 3、MPH-400磁力泵装配的电动机可选配IEC标准尺寸71的0.37kw法兰接口的电动机；
- 4、MPH-401磁力泵装配的电动机可选配IEC标准尺寸80的0.75kw法兰接口的电动机；
- 5、G=英国直管螺纹规格；
- 6、规格和尺寸如有更改恕不另行通知。

### Note:

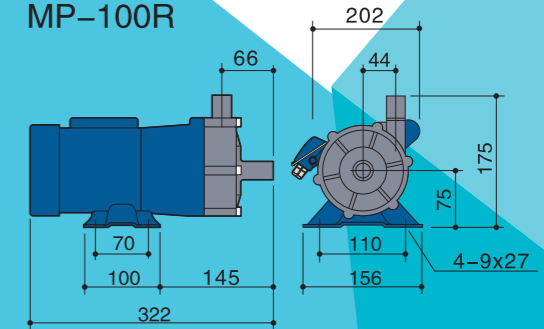
- 1.The performance and connection size for pump with thread interface is as same as the pump with tube interface.
- 2.Mp-120RT come with a new design, convenient and quickly to be dismantled and reinstalled, suitable for the vocations such as family fish viewing, seafood breeding etc.
- 3.MPH-400 can be equipped with the motor of 0.37kw, and its connection is 71 of the IEC standard.
4. MPH-401 can be equipped with the motor of 0.375kw, and its connection is 80 of the IEC standard.
5. G is the straight pipe specs of UK.
6. There will be no further notice for the changing of specifications and dimensions.

## 外型尺寸 DIMENSIONS

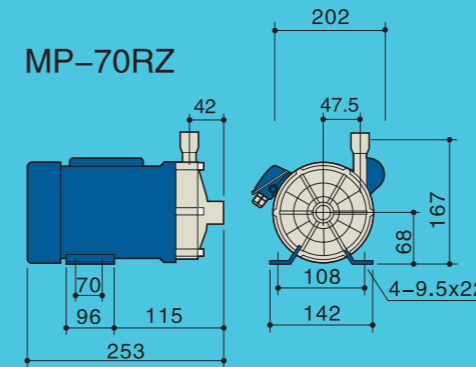
MP-55R



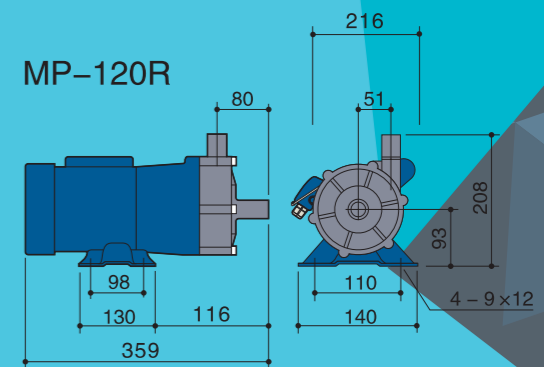
MP-100R



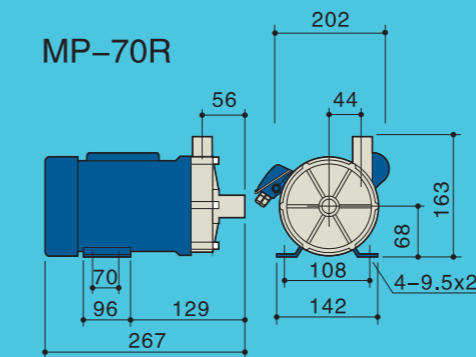
MP-70RZ



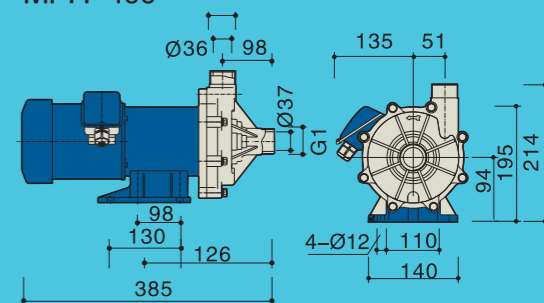
MP-120R



MP-70R



MPH-400



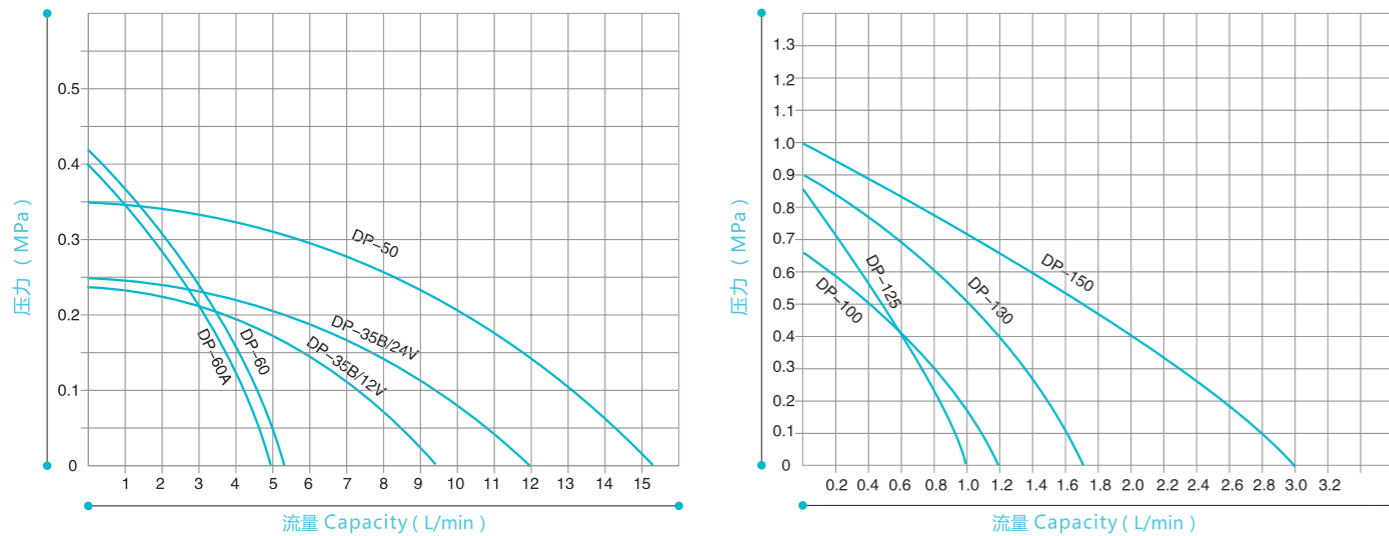


# DP系列隔膜泵

## DIAPHRAGM PUMP

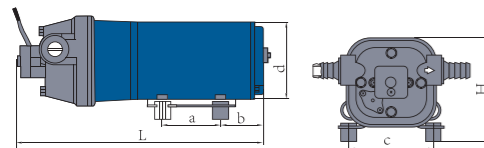


### 性能曲线 PERFORMANCE CURVES



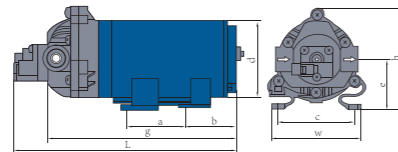
### 外型尺寸 DIMENSIONS

DP-35.50



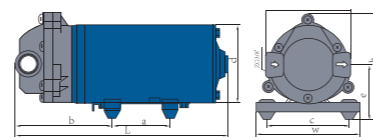
型号	a	b	c	d	H	L
DP-35	57	50	78	Φ76	94	248
DP-50						

DP-60.100.125.130B  
Brushless 无刷 DP-60



型号	a	b	c	d	e	g	h	l	w
DP-60A	57	82	83	Φ76	58	/	109	190	104
DP-100A	60	53	76	Φ66	52	/	103	155	100
无刷DP-60A Brushless									
无刷DP-60 Brushless	60	53	76	Φ66	52	148	103	175	100
DP-130	57	95	81	Φ78	54	/	105	212	102
DP-150	57	51	83	Φ76	58	185	109	212	104
DP-60									
DP-100									
DP-125									
DP-130B	57	95	81	Φ78	54	206	105	233	102

DP-130.150 60A 100A  
Brushless 无刷 DP-60A



# 不锈钢自动管道增压泵

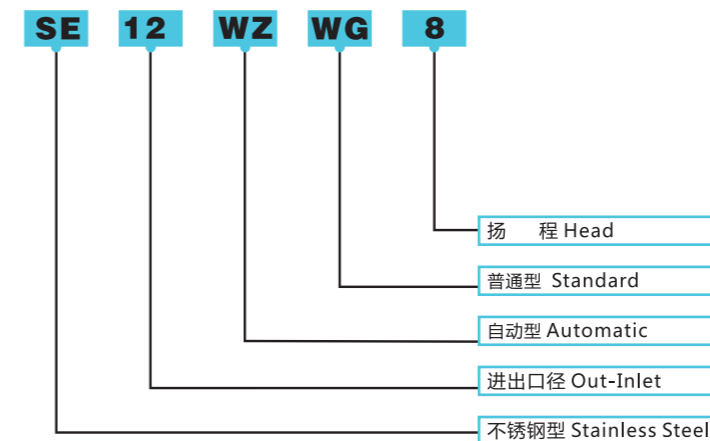
Stainless Steel Automatic Pipeline Booster Pump

### 工作条件 WORKING CONDITIONS

环境温度  
Ambient Temperature : 0°C-40°C  
介质温度  
Medium Temperature : 0°C-100°C



### 型号注释 MODLE NOTES



该系列产品采用不锈钢材质铸造，具有安全卫生、高效节能、体积小、安装方便等特点。并配有不锈钢水流自动开关，可根据管道水源状态（流动或静止），使水泵自动启动或停止，能有效延长水泵使用寿命。可广泛运用于住宅、公寓、学校、医院等自来水增压，食品生产和输送及设备冷却液循环等用途。

This series of products are made of stainless steel. They are safe and hygienic, energy saving efficiently, of small size, and easy to be installed, provided with automatic flow switch made of stainless steel. The water pump will start and stop automatically according to the state of pipeline water source (flowing or static), extending the pump life effectively. It can be widely used for the purposes of pressurizing the tap water of residential, apartments, schools, hospitals and so on, cooling circulating water of food production and transportation and equipment and so on.

### 规格 SPECIFICATIONS

型号 Model	流量 (升/分) Capacity(L/min)		扬程(米) Head(m)		电机功率(瓦) Power(w)		进出口内径 (毫米) Internal Diameter (mm)	连接管路 (英寸) Connecting Pipe (inches)	额定电压 (伏) Rated Voltage (v)
	最大 Max.	额定 Rated	最高 Highest	额定 Rated	输入 Input	输出 Output			
SE12WZ-8	20	8	10	8	90	40	12	G1/2	220
SE15WZ-10	20	8	10	8	90	40	15	G3/4	
SE18WZ-18	35	14	18	12	260	120	15	G3/4	220
SE12WG-8	20	8	10	8	90	40	12	G1/2	
SE15WG-10	20	8	10	8	90	40	15	G3/4	
SE18WG-18	35	14	18	12	260	120	15	G3/4	

# 管道增压循环泵

Pipeline Pressurized Circulating Pump

## 工作条件 WORKING CONDITIONS

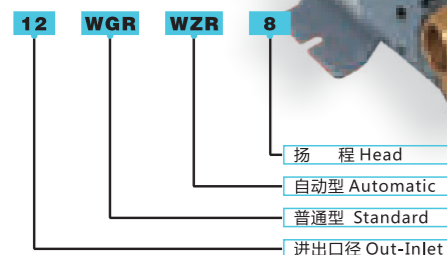
环境温度  
Ambient Temperature : 0°C-40°C  
介质温度  
Medium Temperature : 0°C-100°C

## 热水管道增压循环泵

Hot Water Pressurized Circulating Pump

热水可用 (Hot Water Usage) ↓

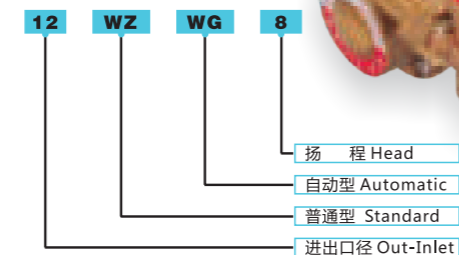
## 型号注释 MODLE NOTES



## 自动管道增压循环泵

Aitomatic Pipeline Pressurized Circulating Pump

## 型号注释 MODLE NOTES



该系列产品铜质结构具有体积小、卫生清洁、安装方便、噪音低、寿命长等优点，可根据管道水源状态（流动或静止），使水泵自动启动或停止，能有效延长水泵使用寿命，是一种高效、节能、卫生、安全的理想型水泵。可广泛用于住宅、公寓、学校、医院等热水管道增压循环，地板取暖的热水循环，太阳能热水器，生活锅炉热水循环给水以及设备冷却循环水等用途。

This series of products are small size, copper structure, easy to be installed, low noise, long life, are highly efficient and energy saving, hygienic, safe, ideal water pump. The water pump will start and stop automatically according to the state of pipeline water source (flowing or static), extending the pump life effectively. It is an efficiently energy saving, hygienic, safe ideal water pump. It can be widely used to pressurize and circulate the hot-water pipeline of residential, apartments, schools, hospitals and so on, for the purposes of hot water circulation of floor heating, water recycled water supply of hot water in solar water heaters, domestic boilers, cooling circulating water of equipment and so on.

## 规格 SPECIFICATIONS

型号 Model	流量 (升/分) Capacity(L/min)		扬程(米) Head(m)		电机功率(瓦) Power(w)		进出口内径 (毫米) Internal Diameter (mm)	连接管路 (英寸) Connecting Pipe (inches)	额定电压 (伏) Rated Voltage (v)
	最大 Max.	额定 Rated	最高 Highest	额定 Rated	输入 Input	输出 Output			
12WZ-8	20	8	10	8	90	40	12	G1/2	220
15WZ-10	20	8	10	8	90	40	15	G3/4	
18WZ-18	35	14	18	12	260	120	15	G3/4	
12WG-8	20	8	10	8	90	40	12	G1/2	220
15WG-10	20	8	10	8	90	40	15	G3/4	
18WG-18	35	14	18	12	260	120	15	G3/4	

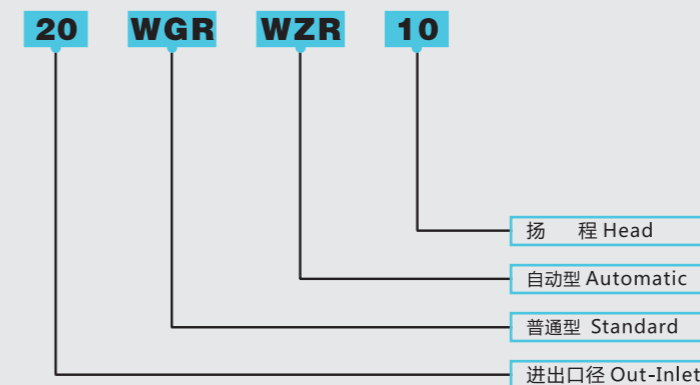
# 冷热水自动自吸增压泵

Hot & Cold Water Automatic Self-Priming Booster Pump

## 工作条件 WORKING CONDITIONS

环境温度  
Ambient Temperature : 0°C-40°C  
介质温度  
Medium Temperature : 0°C-100°C

## 型号注释 MODLE NOTES



## 规格 SPECIFICATIONS

型号 Model	流量 (升/分) Capacity(L/min)		扬程(米) Head(m)		电机功率(瓦) Power(w)		连接管路 (英寸) Connecting Pipe (inches)	压力开关 (Mpa) Pressure Switch (Mpa)	气罐充压 (Mpa) Tank Filling Pressure (Mpa)	吸程 (米) Suction (M)	额定电压 (伏) Rated Voltage (v)
	最大 Max.	额定 Rated	最高 Highest	额定 Rated	输入 Input	输出 Output					
20WGR-10	30	20	30	10	260	120	G3/4	关off0.24	0.1	8	220
25WGR-15	50	30	35	15	445	250	G1	关off0.28	0.12		
40WGR-20	80	50	40	20	900	700	G1½	关off0.35	0.12		
20WZR-10	30	20	30	10	260	120	G3/4	关off0.24	0.1	8	220
25WZR-15	50	30	35	15	445	250	G1	关off0.28	0.12		
40WZR-20	80	30	40	20	900	700	G1½	关off0.35	0.12		



该系列产品过流部分采用铜质结构，附带自吸功能。具有扬程高、能耗低、结构紧凑、安装方便等特点。配有压力自动开关及稳压罐，防止水泵频繁启动，能有效延长水泵使用寿命。可广泛用于住宅、公寓、学校、医院等自来水管增压，地下水井取水、农田、园林灌溉、喷淋和蔬菜种植及养殖业给排水等用途。

The parts where liquids passed of this series of products use copper structure with self-absorption function. The head is high, the energy consumption is low, the structure is compact, and the installation is easy. It is provided with automatic pressure switch and regulator tank to prevent the water pump from starting frequently, effectively extending the pump life. It can be widely used to pressurize the water supply pipeline of residential, apartments, schools, hospitals and so on, for the purposes of water taking from underground water wells, farmland, garden irrigating, spraying for farmland, garden, and water supply and drainage for vegetable cultivation and breeding industry.