

# LOUIE LINEAR ACTUATOR SERIES



**SXTL** 四角小推杆  
Linear Actuator



**SDXTL** 四角低噪音推杆  
Linear Actuator With Low Noise



**XTL** 普通小推杆  
Quadrangular Linear Actuator With Low Noiser



**PXTL** 平底座推杆  
Linear Actuator With Flat Base



**BMXL** 带编码器小推杆  
Linear Actuator With Encoder



**XTXL** 行程可调节推杆  
Linear Actuator With Adjustabl Stroke



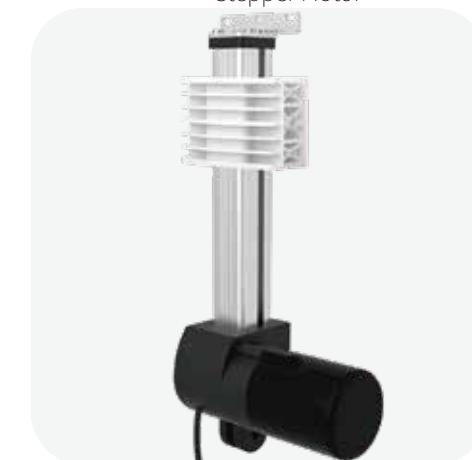
**CXTXL** 行程可调节二代带槽小推杆  
Linear Actuator With Stepper Motor



**JXTL** 静音大推力推杆  
Linear Actuator



**DTL** 大推杆  
Linear Actuator



**PTL** 小平推  
Guide Slide Linear Actuator With Stepper Moto



**B20TL** 笔式推杆(小)  
Pen Type Actuator(Small)



**B32TL** 升级笔式推杆(大)  
Pen Type Actuator(Big)



**BJXL** 步进小推杆  
LINEAR ACTUATOR WITH FLAT BASE



**BTXL 步进推杆(同步带)**  
Linear Actuator With Encoder



**BJHL 步进滑台推杆**  
Linear Actuator With Adjustabl Stroke



**WXTL 微型推杆**  
Linear Actuator With Stepper Motor



**MNTL 迷你推杆**  
Linear Actuator



**GYTL 工业推杆**  
Linear Actuator



**FDTL 方型材大推杆**  
Guide Slide Linear Actuator With Stepper Moto



**WFTL 往复推杆**  
Pen Type Actuator(Small)



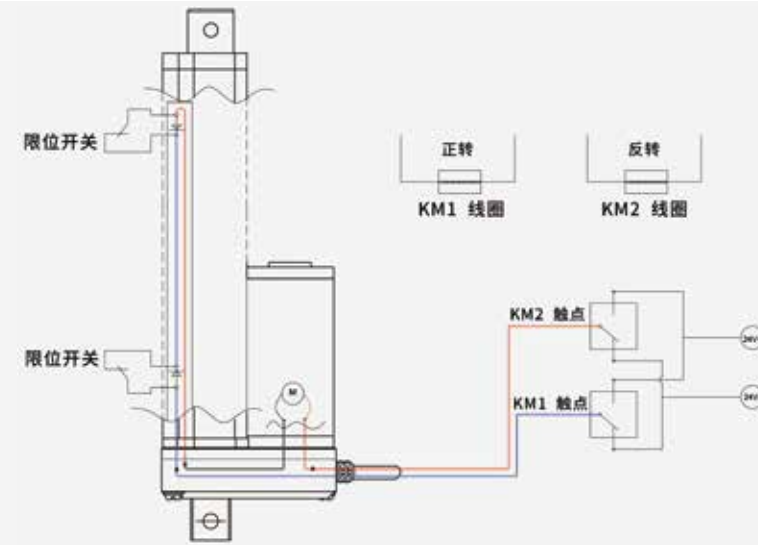
**DWFTL 往复推杆(大)**  
Pen Type Actuator(Big)



**XWFTL 往复推杆(小)**  
LINEAR ACTUATOR WITH FLAT BASE

## 接线说明 WIRING INSTRUCTIONS

示意图:  
SKETCH MAP:



备注:  
REMARKS:  
红线接正极  
黑线接负极  
RED WIRE CONNECTED TO POSITIVE POLE  
BLACK WIRE CONNECTED TO NEGATIVE POLE

## 五种接头可选 FIVE CONNECTORS ARE AVAILABLE



## 注意事项 PRECAUTIONS

- 1、本公司生产的电动推杆安装时仅支持固定在一直线引导机构上安装与使用,并且推杆在使用过程中不可对其造成机械干涉,以免发生电机或机械结构。
- 2、请依照电动推杆标定的电压规格输入直流电源,若您自行提供供电电源以及控制系统,请自行加装过载感以及满足您自身所需的保护装置;
- 3、除特殊订制之外,本公司的电动推杆额定运转率为10%,此运转率定义连续运转2分钟,休息18分钟,如果您使用超过额定运转率(10%)请您在我们推杆易热装置(电机)部分加装过热感应装置以及过热防护装置(如电扇、空调等)并且利用温度感知系统控制电动推杆,依控制要求,使其停止运动或中断电源供应;
- 4、本公司推杆防尘防水等级为IP54且属于电气控制类产品,请勿在超过本等级情况下使用本公司推杆,如果环境使用恶劣(如泥潭、大量雨水等)您可自行在电动推杆外围部分添加保护机构以此来避免产品短路不运行等情况;
- 5、在电动推杆使用过程中请您施加低于推杆本身实际负载上限的负载量,从而延长本公司产品的使用寿命,如使用自己的控制系统必须有保护装置,如过载、堵转、安装尺寸小于推杆行程或者其他机械故障(内部原有的只是位置保护)。

- 1、The electrical linear actuator produced by our company can only be installed and used on a straight line guiding mechanism, and the push rod can not cause mechanical interference in the process of use, so as to avoid damage to the occurrence of motor or mechanical structure.
- 2、Please input the DC power according to the voltage specification calibrated by the electrical linear actuator. If you provide the power supply and control system by yourself, please install the overload sense and the protection device to meet your own needs.
- 3、In addition to the special order, the rated operation rate of our company's electrical linear actuator is 10%, which is defined as continuous operation for 2 minutes and rest for 18 minutes. If you use more than the rated operation rate (10%), please install overheat induction device and overheating protection device (such as fan, air conditioner, etc.) in our pusher heat sensitive device (motor), and use the temperature sensing system to control the electric push rod, According to the control requirements, stop the movement or interrupt the power supply.
- 4、The dustproof and waterproof grade of the linear actuator of our company is IP54 and belongs to the electrical control products. Please do not use the linear actuator of our company beyond this level. If the environment is bad (such as mire, large amount of rain, etc.), you can add protection mechanism on the periphery of the electrical linear actuator to avoid short circuit and non operation of the product.
- 5、In the process of using the electrical linear actuator, please apply a load lower than the upper limit of the actual standard load of the electrical linear actuator, so as to extend the service life of our products. If you use your own control system, you must have protection devices, such as overload, stalling, installation size less than the linear actuator's stroke or other mechanical faults (the internal original only position protection).

01

### 技术参数

- 1、铝合金材质,采用直流电机齿轮减速  
Aluminum Alloy With De Motor Gear Slowdown
- 2、标准保护等级:IP54  
Standard Protection Level: Ip54
- 3、内置限位开关(不可调)  
Built-in Limit Switch: Not Adjustable
- 4、噪声级54dB(A)测量方法传动器未加负载  
Noise Level: 54db(a) Measurement Method The Actuator Is Notoaded
- 5、认证:CE  
Certificate: Ce
- 6、环境温度:-40°C ~ +102°C  
Operating Temperature Limits
- 7、工作效率:10%  
Full Load Duty Cycle

XTL LINEAR ACTUATOR  
XTL 系列



## 四角小推杆 SXTL

Linear Actuator With Low Noise

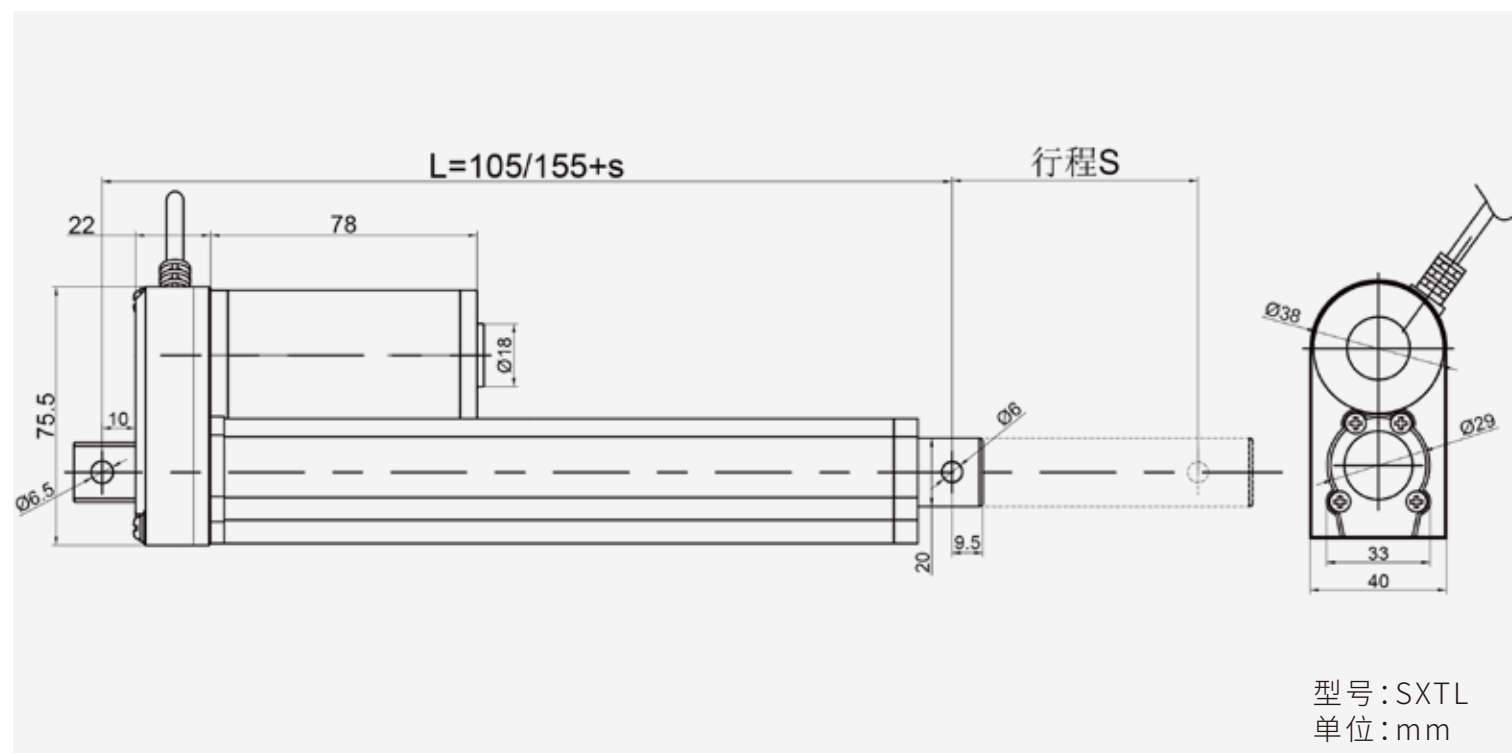


### 产品应用 APPLICATION





## 外形图 DRAWING



## 产品应用 APPLICATION



## 规格表 SPECIFICATION LIST

确定行程	确定电压	确定速度与推力	
多行程可选	速度(mm/s)	推力(N)	
		24V	12V
10-3000mm	7	1400	1000
	12	1000	800
	14	750	550
	20	500	400
	24	500	350
	36	250	150
	48	250	150
	60	130	90
	65	80	50
	100	60	40
180	50	30	

# 四角低噪音推杆 SDXTL

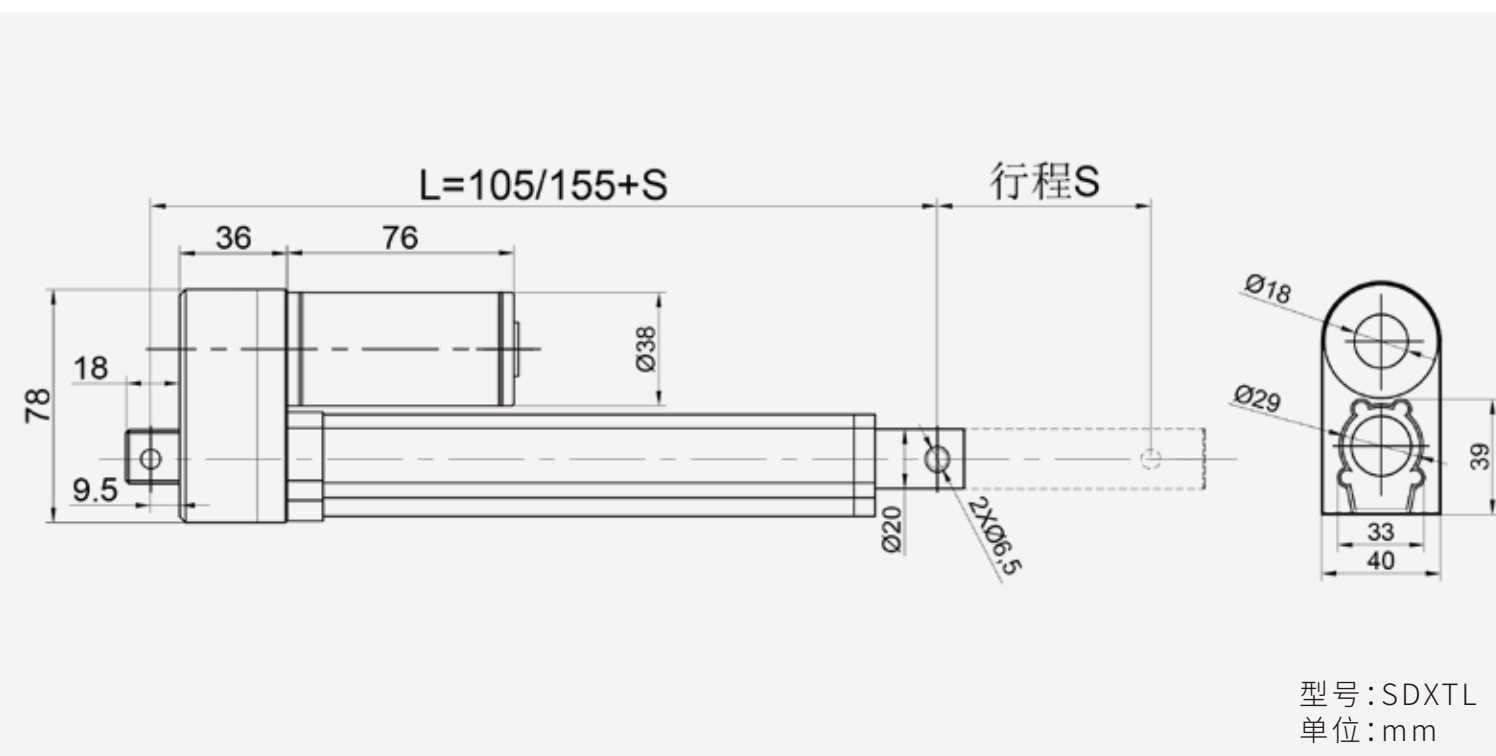
Linear Actuator With Low Noise

采用先进降噪技术, 噪音低至42Db, 密封机身, 全身(包括电机)可淋雨。可生活防水, 适用于家用, 医疗设备用, 四角更稳固

With advanced noise reduction technology, the noise is as low as 42db. The whole body (including motor) can be exposed to rain. It can be used in household and medical equipment, and its four corners are more stable



## 外形图 DRAWING



## 规格表 SPECIFICATION LIST

确定行程	确定电压	确定速度与推力	
		推力(N)	
多行程可选	速度(mm/s)	24V	12V
		4	800
		8	450
		12	300
		24	150
		51	200
10-2500mm	100	250	50

## 产品应用 APPLICATION



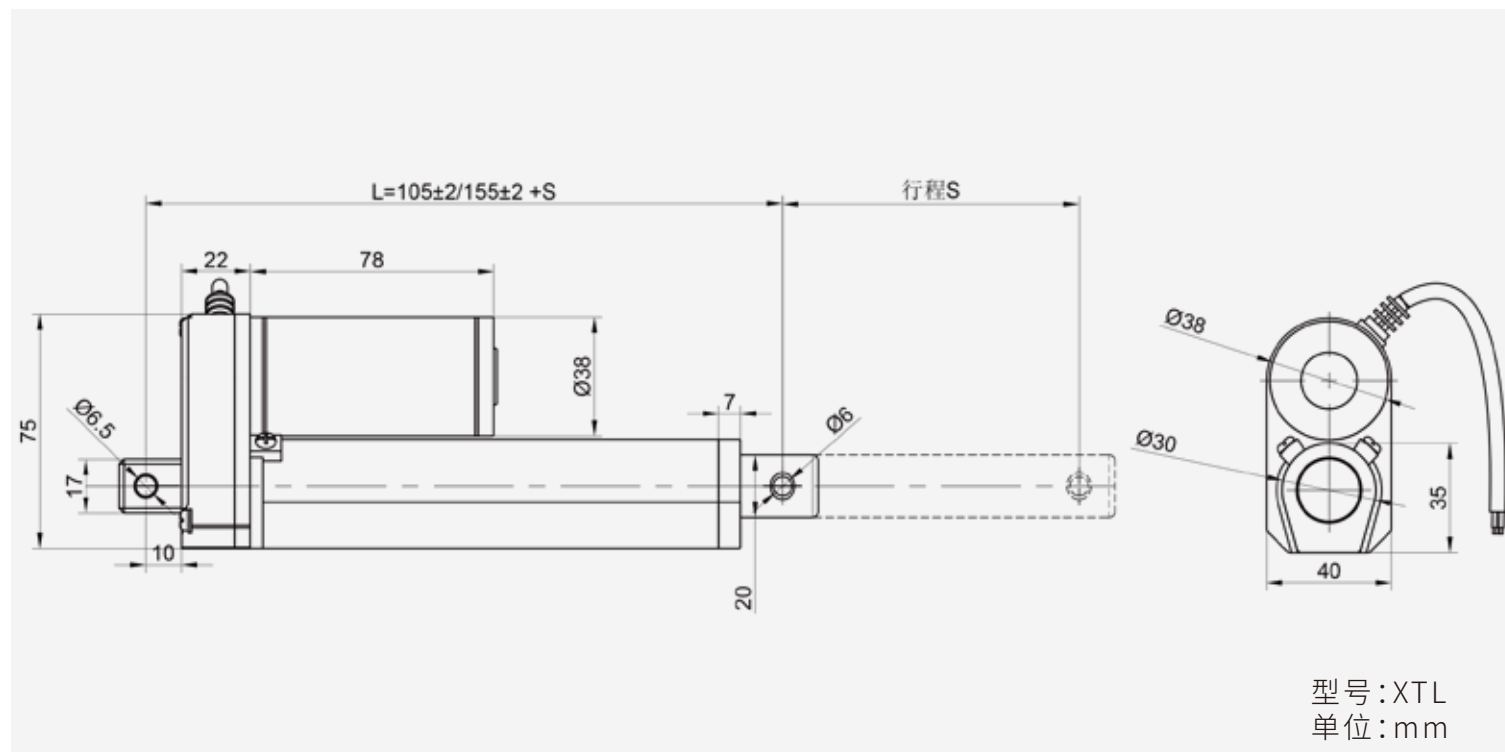


# 普通小推杆 XTL

Linear Actuator With Low Noise



## 外形图 DRAWING



## 规格表 SPECIFICATION LIST

确定行程	确定电压	确定速度与推力	
多行程可选	速度(mm/s)	推力(N)	
		24V	12V
10-3000mm	7	1400	1000
	12	1000	800
	14	750	550
	20	500	400
	24	500	350
	36	250	150
	48	250	150
	60	130	90
	65	80	50
	100	60	40
180	50	30	

## 产品应用 APPLICATION

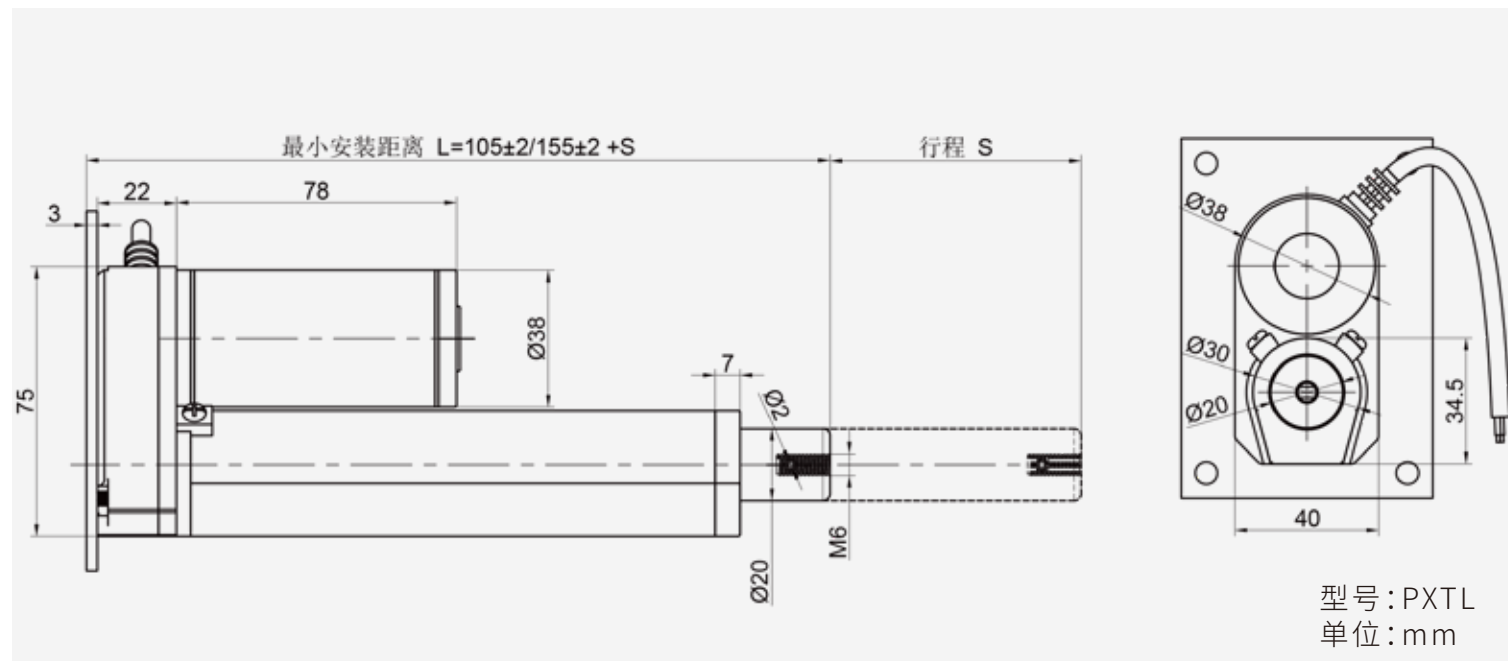


# 平底座推杆 PXTL

Quadrangular Linear Actuator With Low Noiser



## 外形图 DRAWING



## 规格表 SPECIFICATION LIST

确定行程	确定电压	确定速度与推力	
多行程可选	速度(mm/s)	推力(N)	
		24V	12V
10-2500mm	7	1400	1000
	12	1000	800
	14	750	550
	20	500	400
	24	500	350
	36	250	150
	48	250	150
	60	130	90
	65	80	50
	100	60	40
180	50	30	

## 产品应用 APPLICATION





# 带编码器小推杆 BMXL

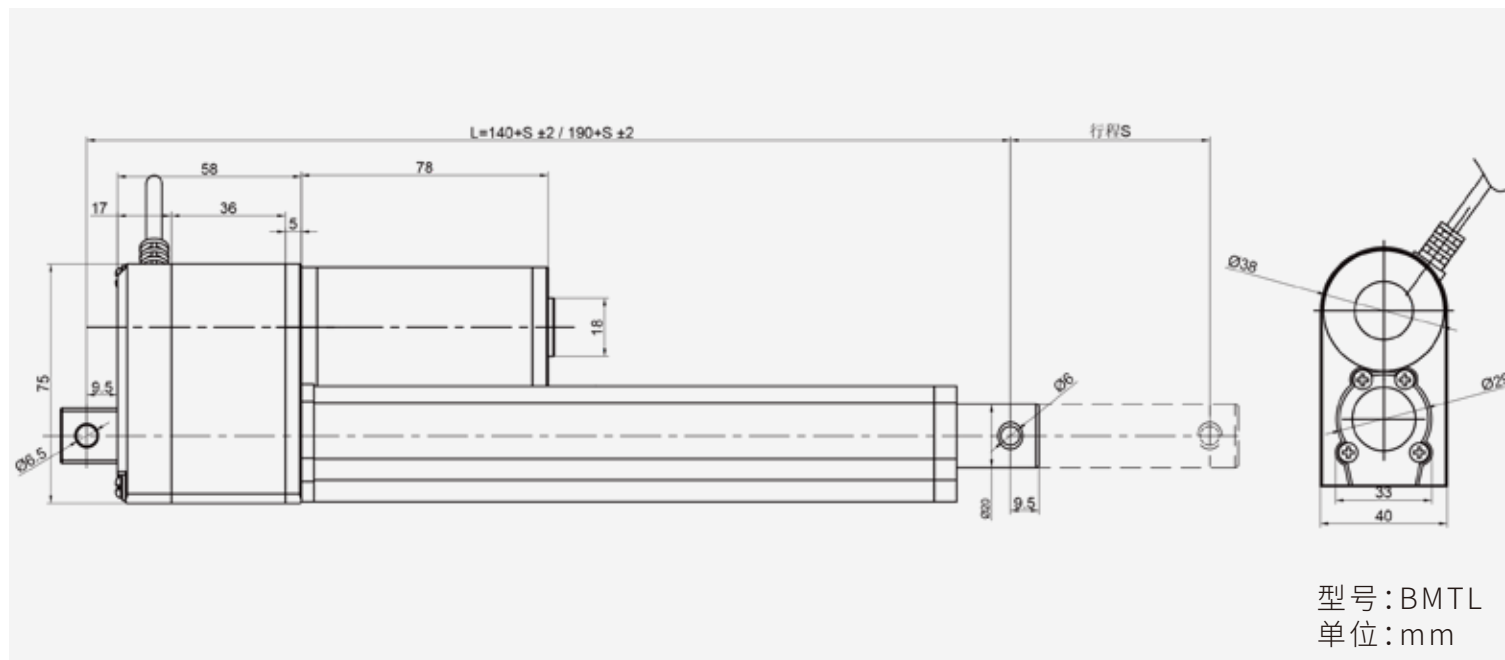
Linear Actuator With Encoder



霍尔传感器产生的电信号, 由PLC或单片机等来处理, 可精确检测位移信号

With the encoder puter Hall ensor generated by the electrical signal, by the PLC or Mcrocontrolers to dealwith, can accurately detect the displacement signal

## 外形图 DRAWING



## 规格表 SPECIFICATION LIST

确定行程	确定电压	确定速度与推力	
多行程可选	速度(mm/s)	推力(N)	
		24V	12V
10-2500mm	7	1400	1000
	12	1000	800
	14	750	550
	20	500	400
	24	500	350
	36	250	150
	48	250	150
	60	130	90
	65	80	50
	100	60	40
180	50	30	

## 产品应用 APPLICATION



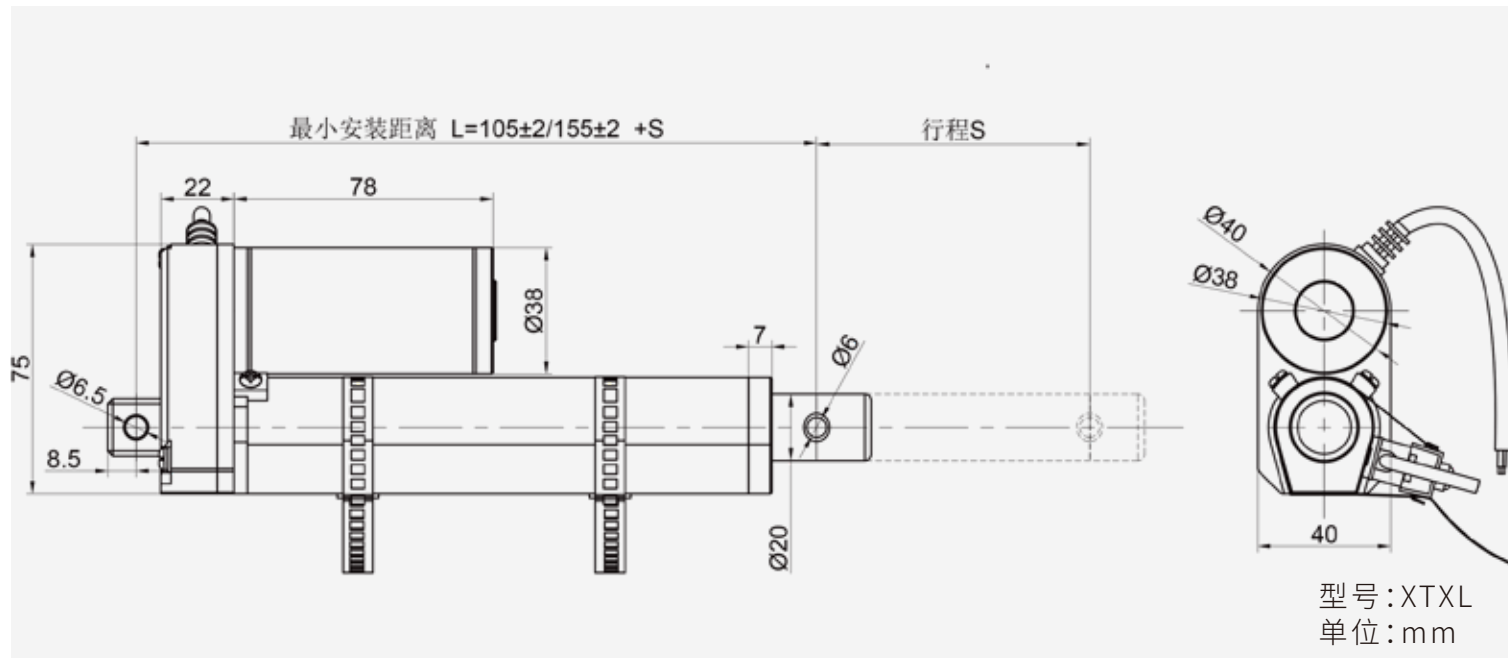


# 行程可调节推杆 XTXL

Linear Actuator With Encoder Adjustabl Stroke



## 外形图 DRAWING



## 规格表 SPECIFICATION LIST

确定行程	确定电压	确定速度与推力	
多行程可选	速度(mm/s)	推力(N)	
		24V	12V
10-2500mm	7	1400	1000
	12	1000	800
	14	750	550
	20	500	400
	24	500	350
	36	250	150
	48	250	150
	60	130	90

## 产品应用 APPLICATION



# 行程可调节二代带槽推杆 CXTXL

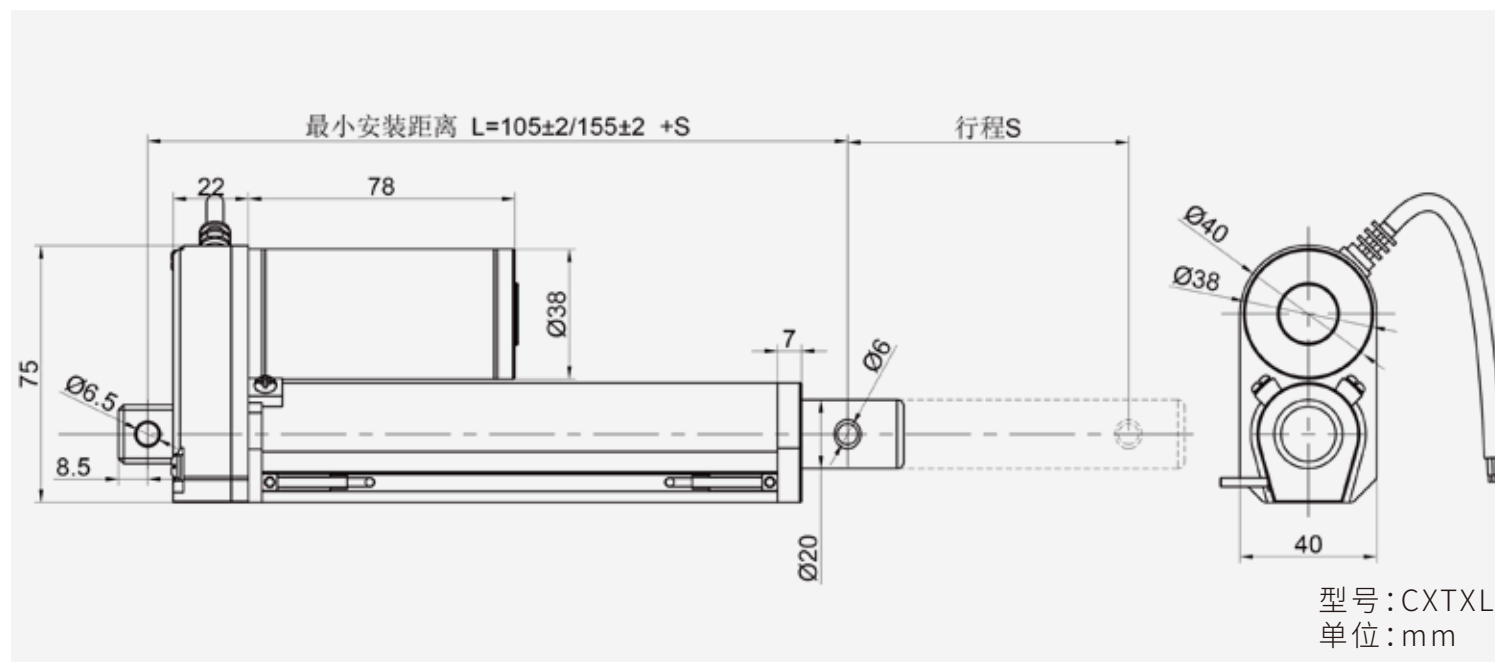
Linear Actuator With Encoder Adjustabl Stroke



内置磁控开关,当磁性开关的磁铁被感应,从而产生信号实现推杆行程的调节

Linear actuator built-in magneti switch, When the magnet is induced with the magneti switch, a signal is generated to adjust the stroke of the push rod.

## 外形图 DRAWING



## 规格表 SPECIFICATION LIST

确定行程	确定电压	确定速度与推力	
多行程可选	速度(mm/s)	推力(N)	
		24V	12V
10-2500mm	7	1400	1000
	12	1000	800
	14	750	550
	20	500	400
	24	500	350
	36	250	150
	48	250	150
60	130	90	

## 产品应用 APPLICATION





# 静音大推力推杆 JXTL

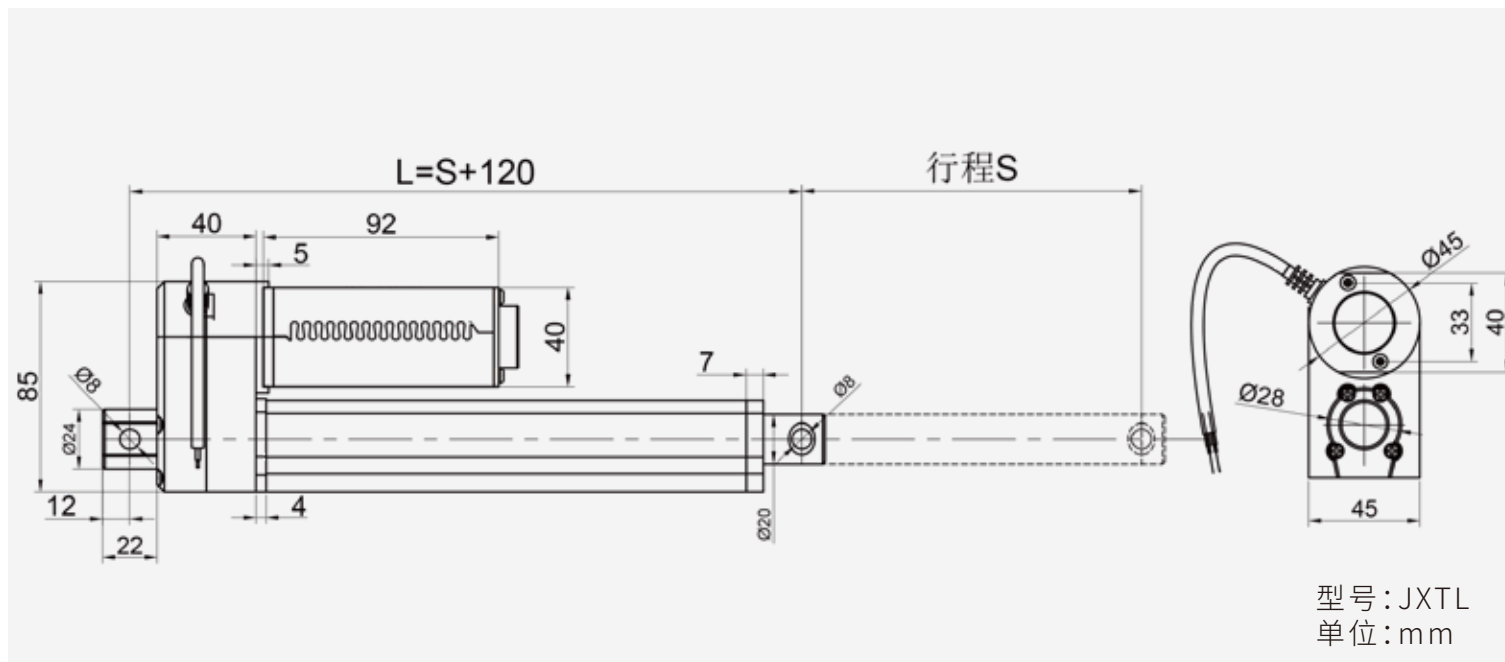
Quadrangular Linear Actuator With Low Noiser

通过驱动器信号输入端输入脉冲数量和频率实现步进电机的角度和速度控制,具有噪音低,运行平滑,可24小时工作

Through the driver signal input input pulse number and frequency to achieve stepper motor angle and speed control with low noise, smooth operation, can work 24 hours.



## 外形图 DRAWING



## 规格表 SPECIFICATION LIST

确定行程	确定电压	确定速度与推力	
		推力(N)	
多行程可选	速度(mm/s)	24V	12V
		7	850
		10	580
		20	500
		30	250
10-3000mm	60	400	130

## 产品应用 APPLICATION



# 02

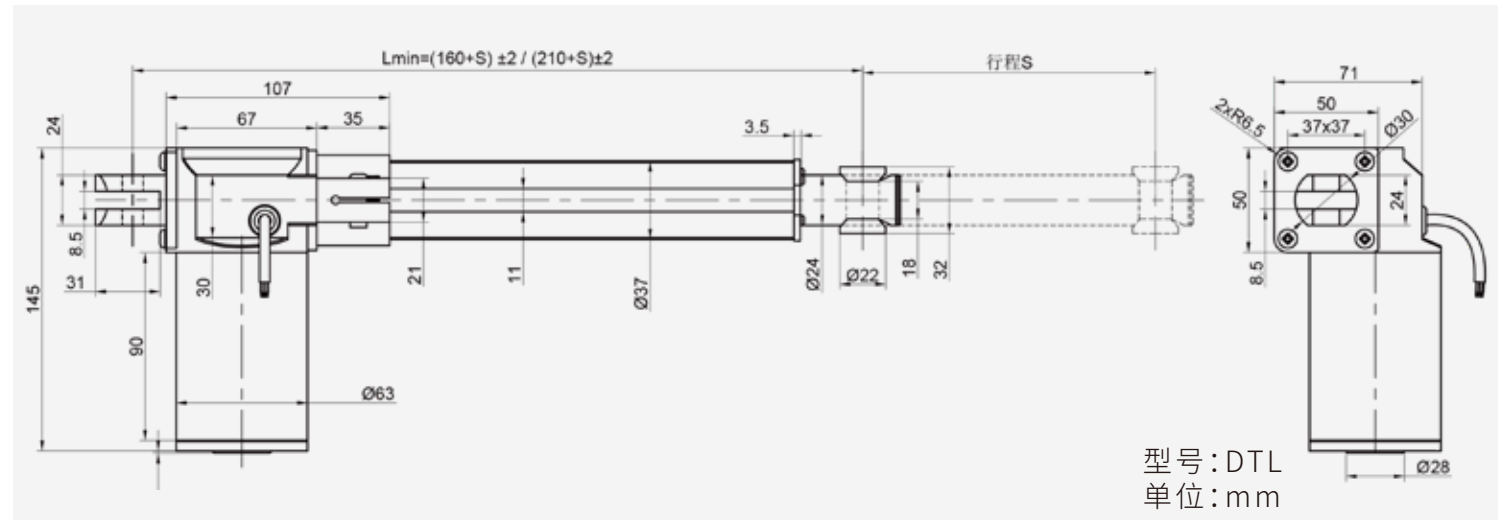
## 技术参数

- 1、铝合金材质,采用直流电机涡轮减速  
Aluminum Alloy With De Motor Gear Slowdown
- 2、标准保护等级:IP54  
Standard Protection Level: Ip54
- 3、内置限位开关(不可调)  
Built-in Limit Switch: Not Adjustable
- 4、噪声级42dB(A)测量方法传动器未加负载  
Noise Level: 54db(a) Measurement Method The Actuator Is Not Loaded
- 5、认证:CE  
Certificate: Ce
- 6、环境温度:-29~+65  
Operating Temperature Limits
- 7、工作效率:10%  
Full Load Duty Cycle

## DTL LINEAR ACTUATOR DTL 大推杆



## 外形图 DRAWING



## 规格表 SPECIFICATION LIST

确定行程	确定电压	确定速度与推力	
多行程可选	速度(mm/s)	推力(N)	
		24V	12V
10-2500mm	5	6000	2200
	10	3000	/
	15	2000	2000

## 产品应用 APPLICATION





# 03

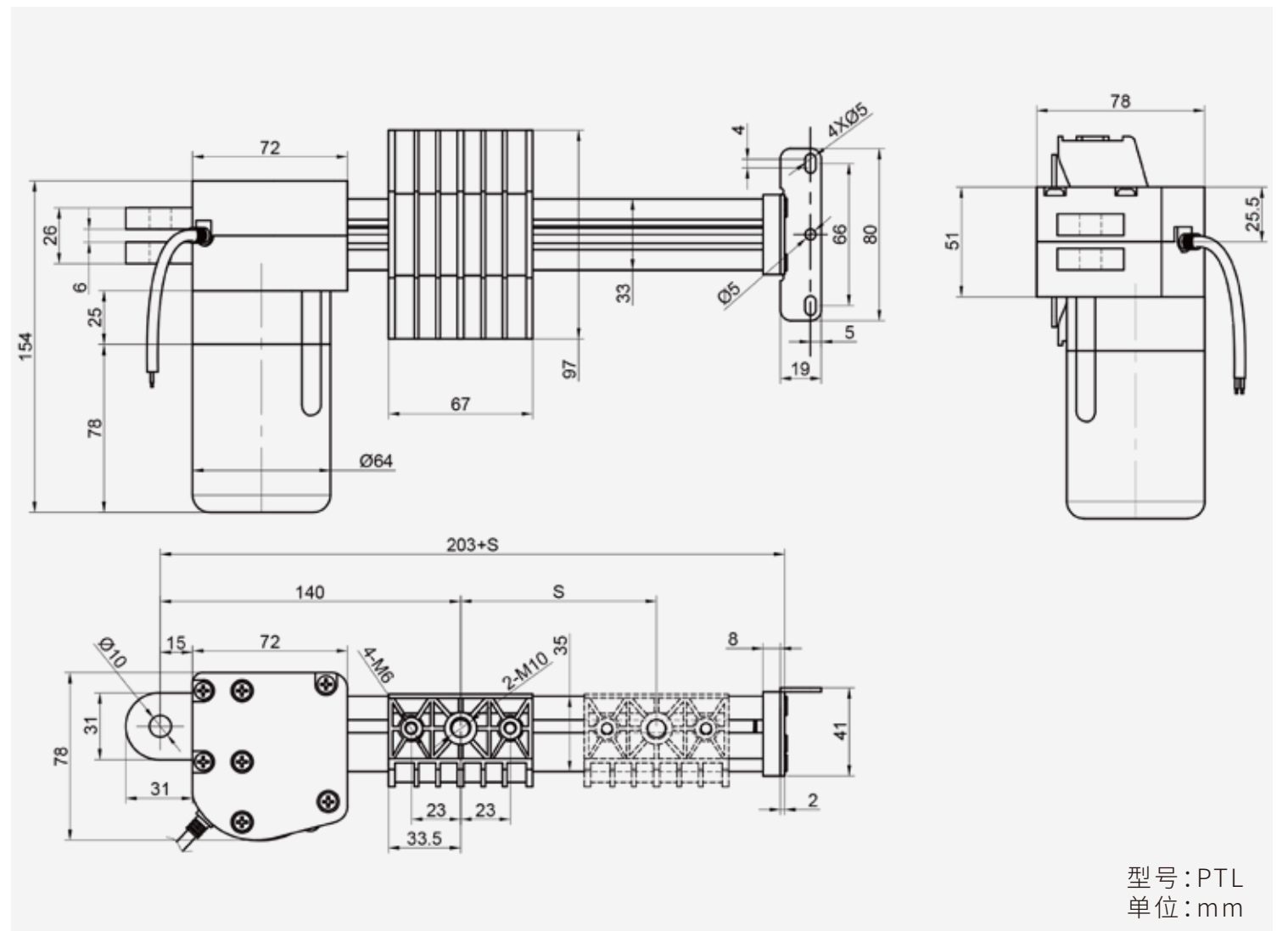
## 技术参数

- 1、铝合金材质,采用直流电机齿轮减速  
Aluminum Alloy With De Motor Gear Slowdown
- 2、标准保护等级:IP54  
Standard Protection Level: Ip54
- 3、内置限位开关(不可调)  
Built-in Limit Switch: Not Adjustable
- 4、噪声级54dB(A)测量方法传动器未加载  
Noise Level: 54db(a) Measurement Method The Actuator Is Not Loaded
- 5、认证:CE  
Certificate: Ce
- 6、环境温度:-29~+65  
Operating Temperature Limits
- 7、工作效率:10%  
Full Load Duty Cycle

## PTL LINEAR ACTUATOR PTL 小平推



## 外形图 DRAWING



型号:PTL  
单位:mm

## 规格表 SPECIFICATION LIST

确定行程	确定电压	确定速度与推力	
多行程可选	速度(mm/s)	推力(N)	
		24V	12V
10-1500mm	7	1400	1000

◎ 产品应用 APPLICATION



04

BSTL LINEAR ACTUATOR  
BSTL系列

技术参数

- 1、铝合金材质,采用直流电机齿轮减速  
Aluminum Alloy With De Motor Gear Slowdown
- 2、标准保护等级:IP54  
Standard Protection Level: Ip54
- 3、内置限位开关(不可调)  
Built-in Limit Switch: Not Adjustable
- 4、噪声级54dB(A)测量方法传动器未加负载  
Noise Level: 54db(a) Measurement Method The Actuator Is Not Loaded
- 5、认证:CE  
Certificate: Ce
- 6、环境温度:-29~+65  
Operating Temperature Limits
- 7、工作效率:10%  
Full Load Duty Cycle



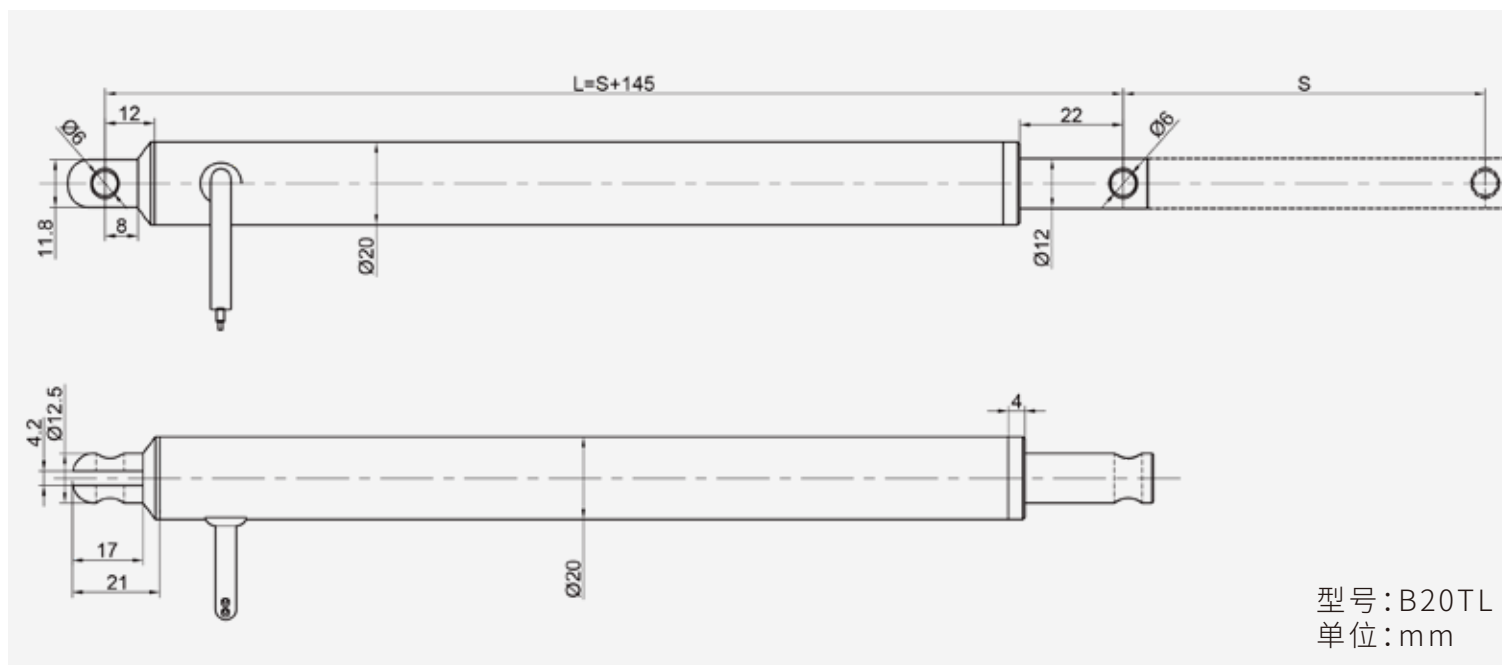


# 笔式推杆(小) B20TL

Pen Type Actuator (Small)



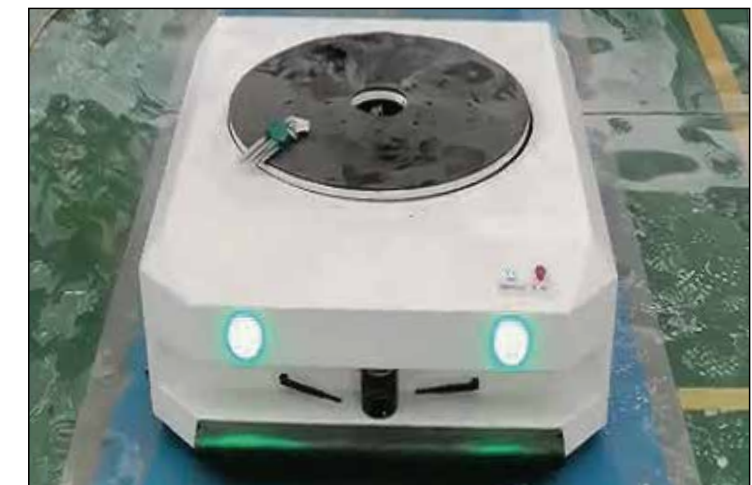
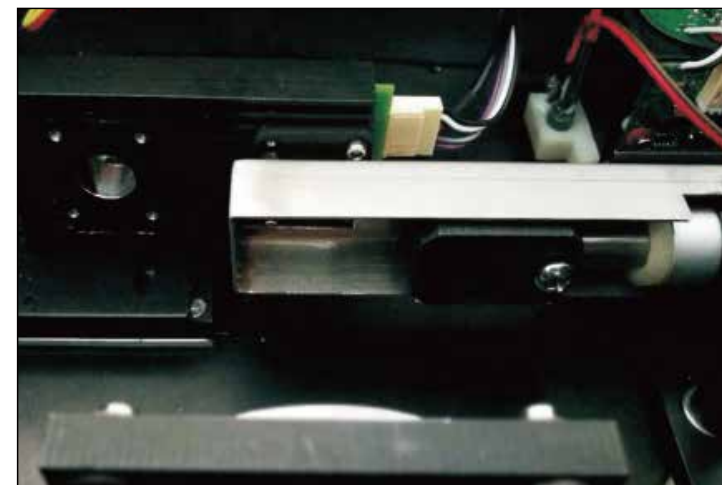
## 外形图 DRAWING



## 规格表 SPECIFICATION LIST

确定行程	确定电压	确定速度与推力	
多行程可选	电压	速度(mm/s)	推力(N)
50-350mm	12V	13	80
		20	40

## 产品应用 APPLICATION

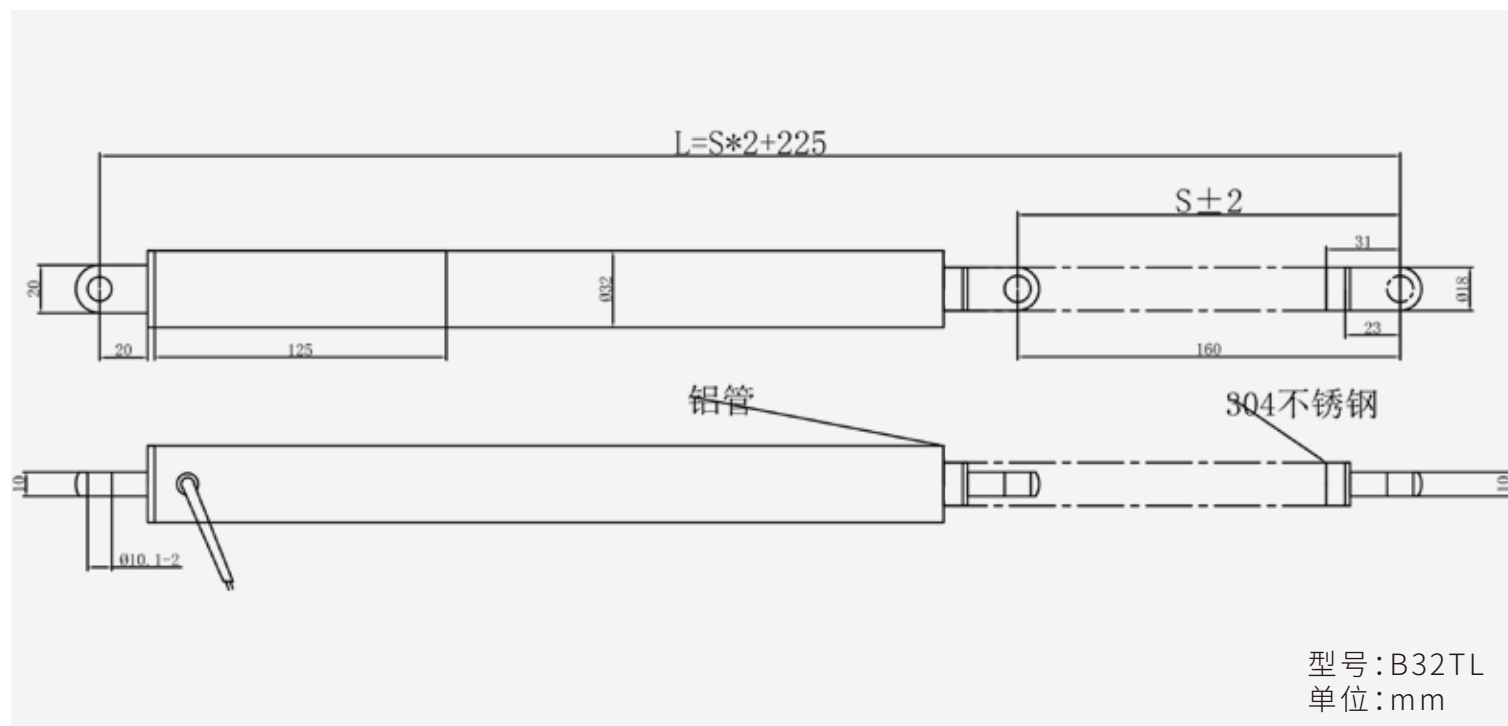


# 升级笔式推杆(大) B32TL

Quadrangular Linear Actuator With Low Noiser



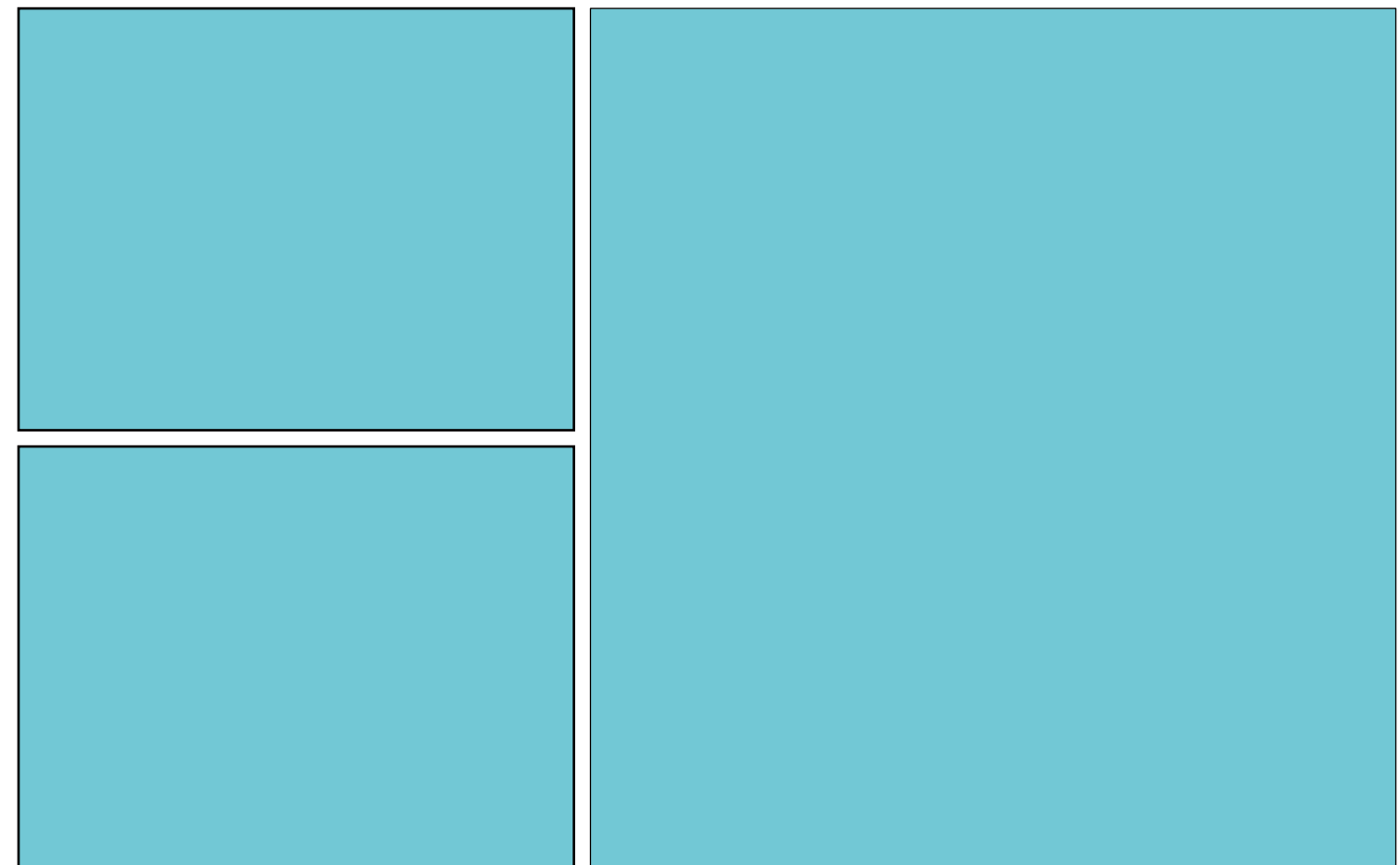
## 外形图 DRAWING



## 规格表 SPECIFICATION LIST

确定行程	确定电压	确定速度与推力	
多行程可选	速度(mm/s)	推力(N)	
		24V	12V
10-1500mm	4	1100	/
	8	700	/
	10	/	350
	12	300	/
	20	200	200

## 产品应用 APPLICATION





05

技术参数

- 1、铝合金材质, 安装42步进电机  
Aluminum Alloy With De Motor Gear Slowdown
- 2、标准保护等级: IP54  
Standard Protection Level: Ip54
- 3、内置限位开关(不可调)  
Built-in Limit Switch: Not Adjustable
- 4、噪声级54dB(A)测量方法传动器未加载  
Noise Level: 54db(a) Measurement Method The Actuator Is Not Loaded
- 5、认证: CE  
Certificate: Ce
- 6、环境温度: -40~+102°C  
Operating Temperature Limits
- 7、工作效率: 10%  
Full Load Duty Cycle

BJTL LINEAR ACTUATOR  
BJTL 系列



# 步进小推杆 BJXL

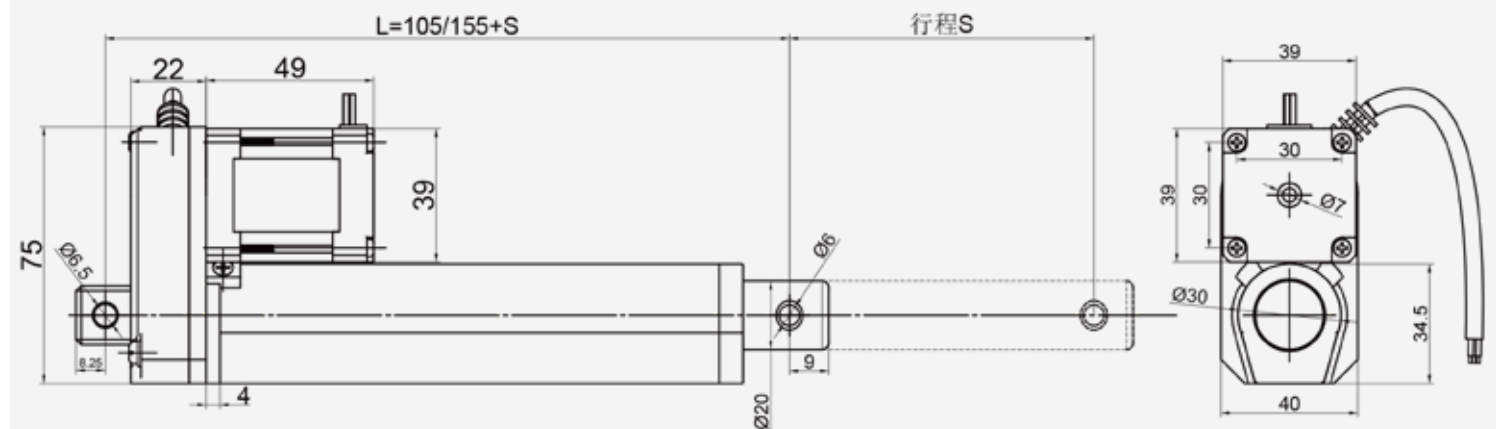
Linear Actuator With Encoder

通过驱动器信号输入端输入脉冲数量和频率实现步进电机的角度和速度控制, 具有噪音低, 运行平滑, 可24小时工作

Through the driver signal input input pulse number and frequency to achieve stepper motor angle and speed control with low noise, smooth operation, can work 24 hours.



## 外形图 DRAWING



型号: BJXL  
单位: mm

## 规格表 SPECIFICATION LIST

确定行程	确定电压	确定速度与推力	
多行程可选	电压	速度(mm/s)	推力(N)
10-2500mm	9-36V	7	500
		12	250

## 产品应用 APPLICATION

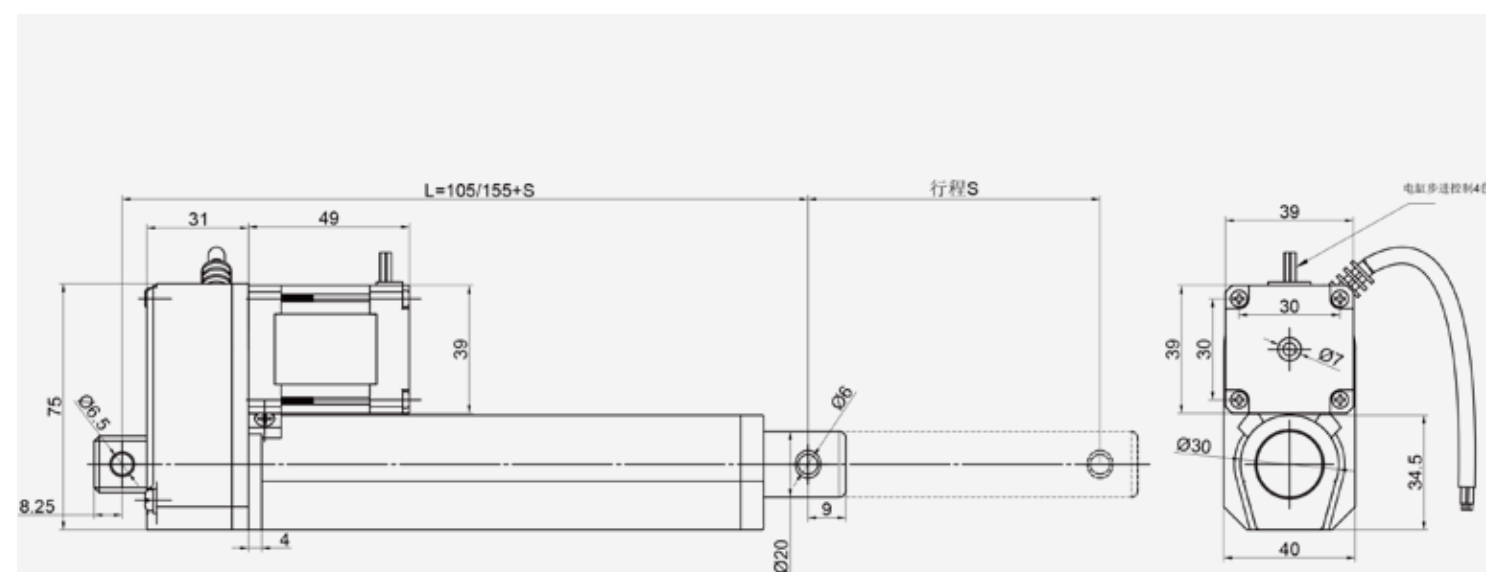


## 步进小推杆带同步带 BTXL

Linear Actuator With Elat Base



## 外形图 DRAWING



型号: BTXL  
单位: mm



## 规格表 SPECIFICATION LIST

确定行程	确定电压	确定速度与推力	
多行程可选	电压	速度(mm/s)	推力(N)
10-2500mm	12V	15	500
		25	150
		50	70

## 产品应用 APPLICATION



## 步进滑台推杆 BJHL

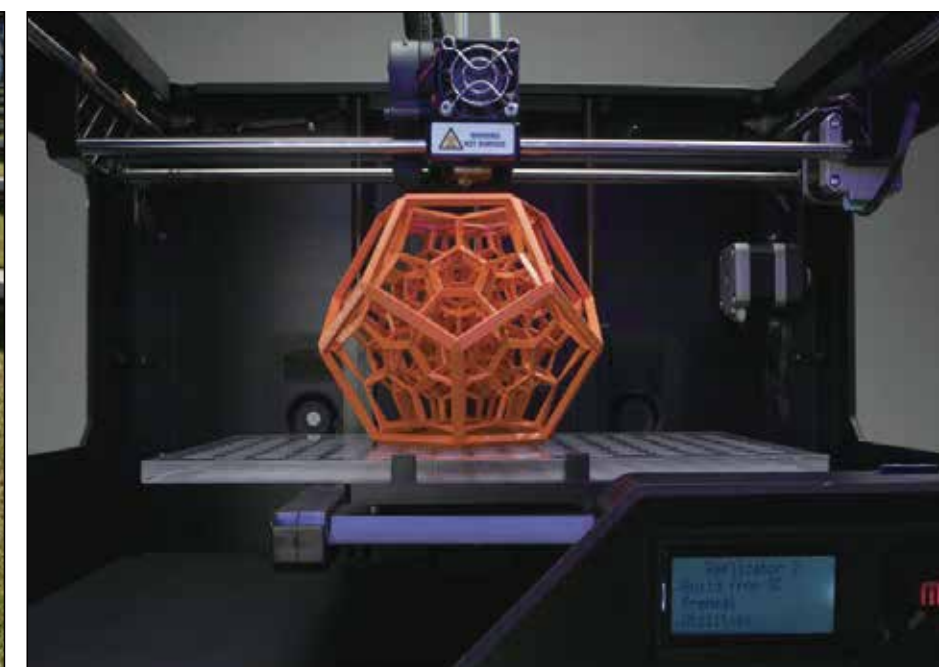
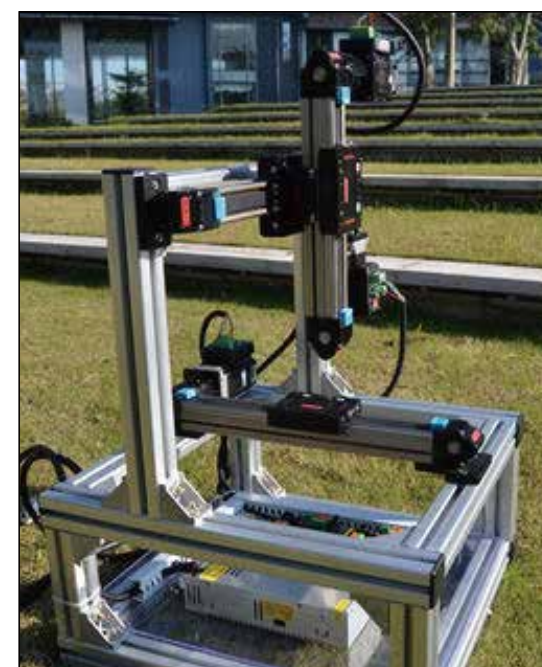
Guide Slide Linear Actuator With Stepper Motor



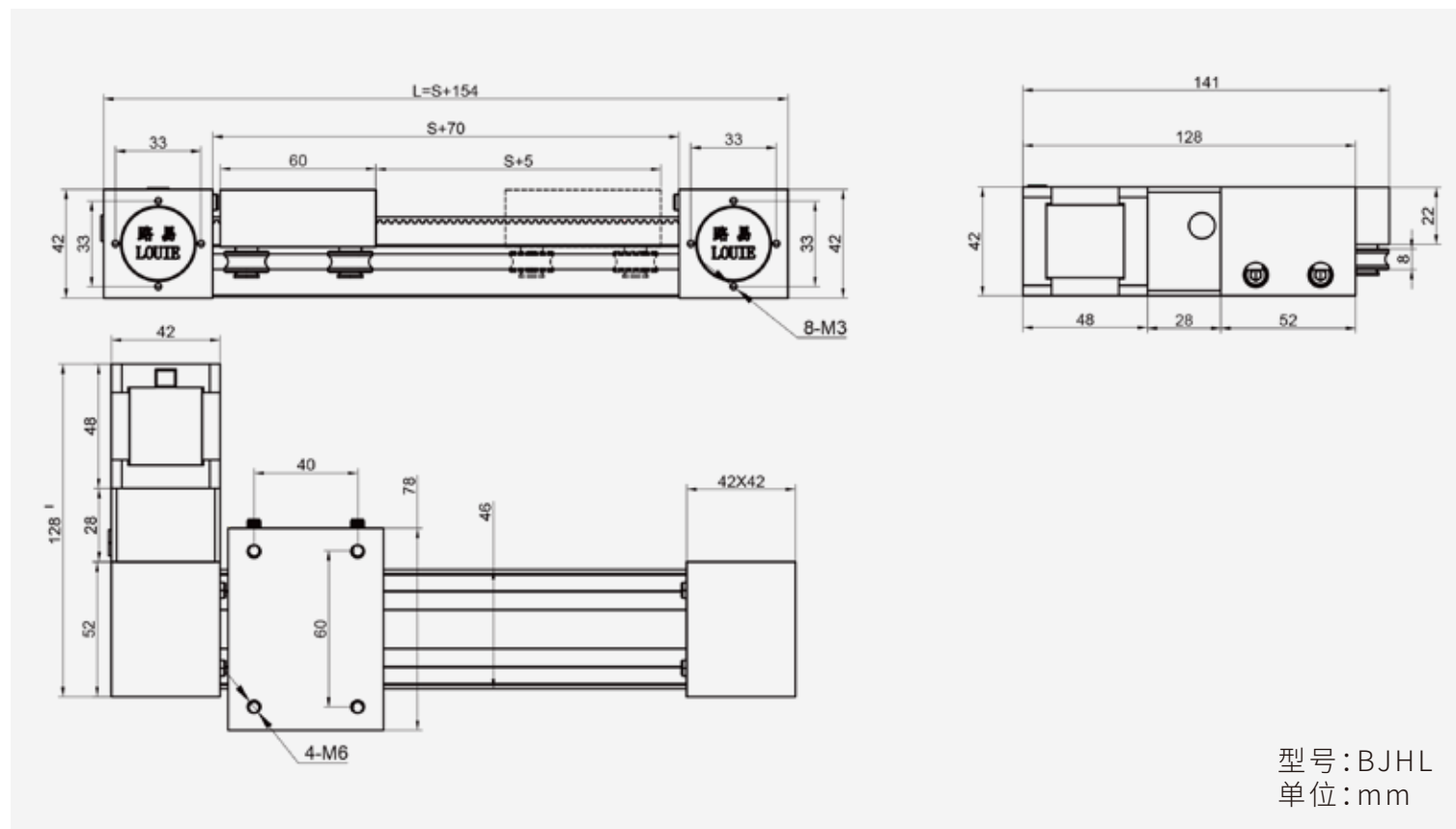
### 技术参数

- 1、安装42步进电机  
Installation-42stepper motor
- 2、皮带松紧可调节,提高灵活度  
Belt elasticadjustable improveflexibility
- 3、顶丝固定滑轮,保证强度不会松动  
Top wire fixed pulley to ensure that the intensity will not be loose
- 4、防尘盖安装,避免灰尘等杂物进入,保证滑台的寿命和精度  
Dust cover installation to avoid dust and other debris to enter, to ensure that the slide life and accuracy
- 5、固定死滑轮,保证直线度  
Fixed dead pulley to ensure straightness

## 产品应用 APPLICATION



## 外形图 DRAWING



## 规格表 SPECIFICATION LIST

确定行程	确定电压	确定速度与推力	
多行程可选	电压	速度(mm/s)	推力(N)
5-1500mm	9-36V	10	40

# 06

## WXTL LINEAR ACTUATOR WXTL 系列

### 技术参数

- 1、铝合金材质+ABS工程塑料  
Aluminum Alloy + ABS Engineering Plastics
- 2、标准保护等级:IP54  
Standard Protection Level: Ip54
- 3、内置微型保护模块  
Built-in Micro Protection Module
- 4、噪声级54dB(A)测量方法传动器未加载  
Noise Level: 54db(a) Measurement Method The Actuator Is Not Loaded
- 5、认证:CE  
Certificate: Ce
- 6、环境温度:-29~+65  
Operating Temperature Limits
- 7、工作效率:10%  
Full Load Duty Cycle



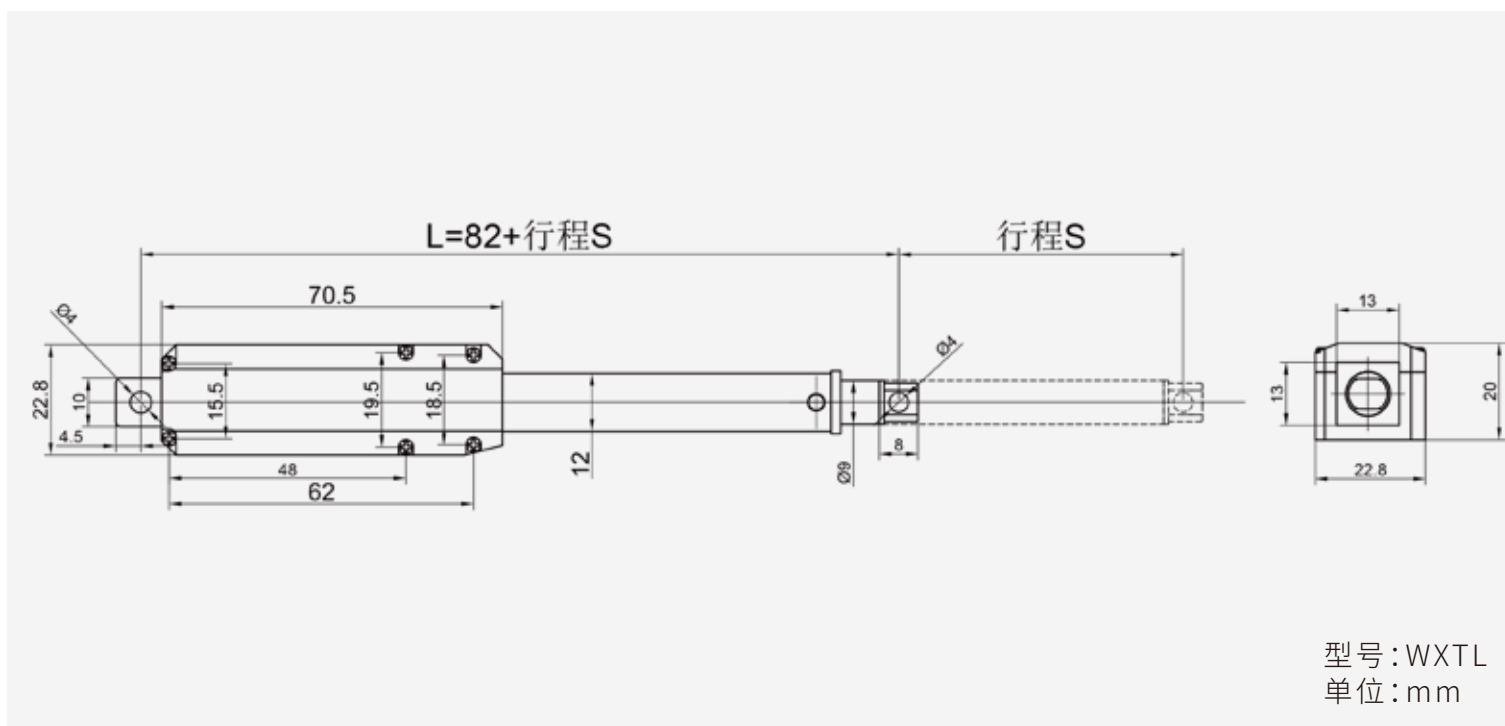


# 微型推杆 WXTL

Flat Base Linear Actuator



## 外形图 DRAWING



## 规格表 SPECIFICATION LIST

确定行程	确定电压	确定速度与推力	
多行程可选	速度(mm/s)	推力(N)	
		24V	12V
10-150mm	10	22	22
	20	10	10

## 产品应用 APPLICATION

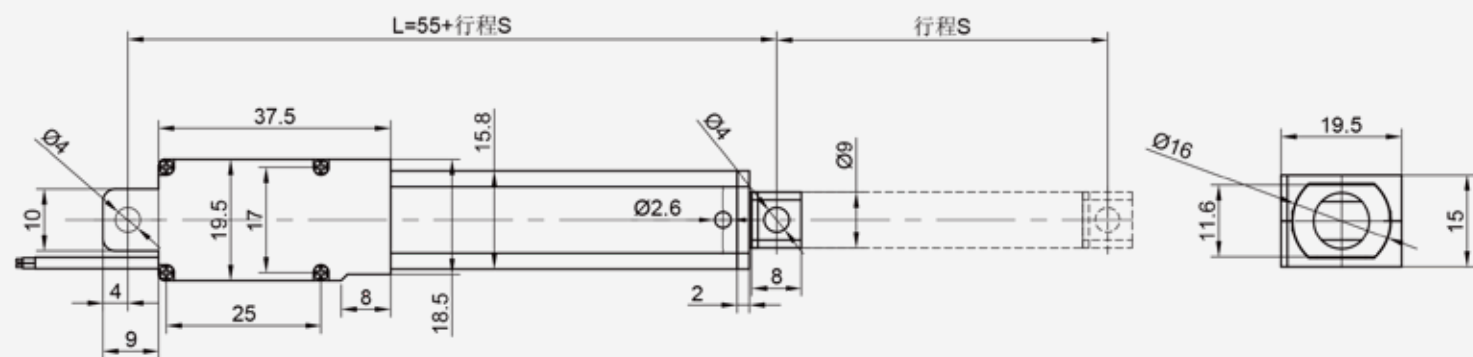


# 迷你推杆 MNTL

Flat Base Linear Actuator



## 外形图 DRAWING

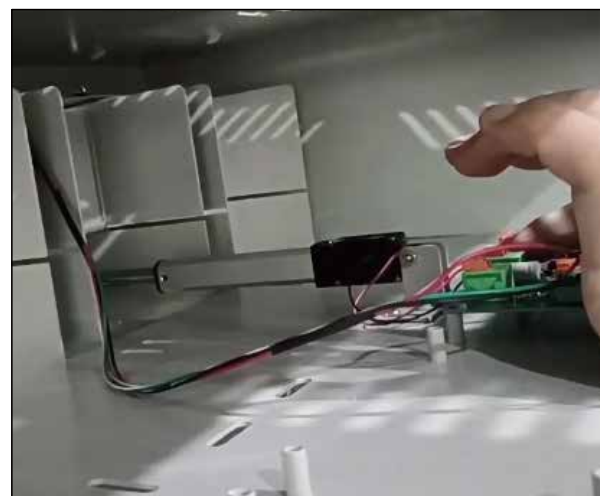


型号: MNTL  
单位: mm

## 规格表 SPECIFICATION LIST

确定行程	确定电压	确定速度与推力	
多行程可选	速度(mm/s)	推力(N)	
		24V	12V
10-300mm	4	120	120
	8	60	60
	15	40	40

## 产品应用 APPLICATION





GTL LINEAR ACTUATOR  
GTL系列

07

技术参数

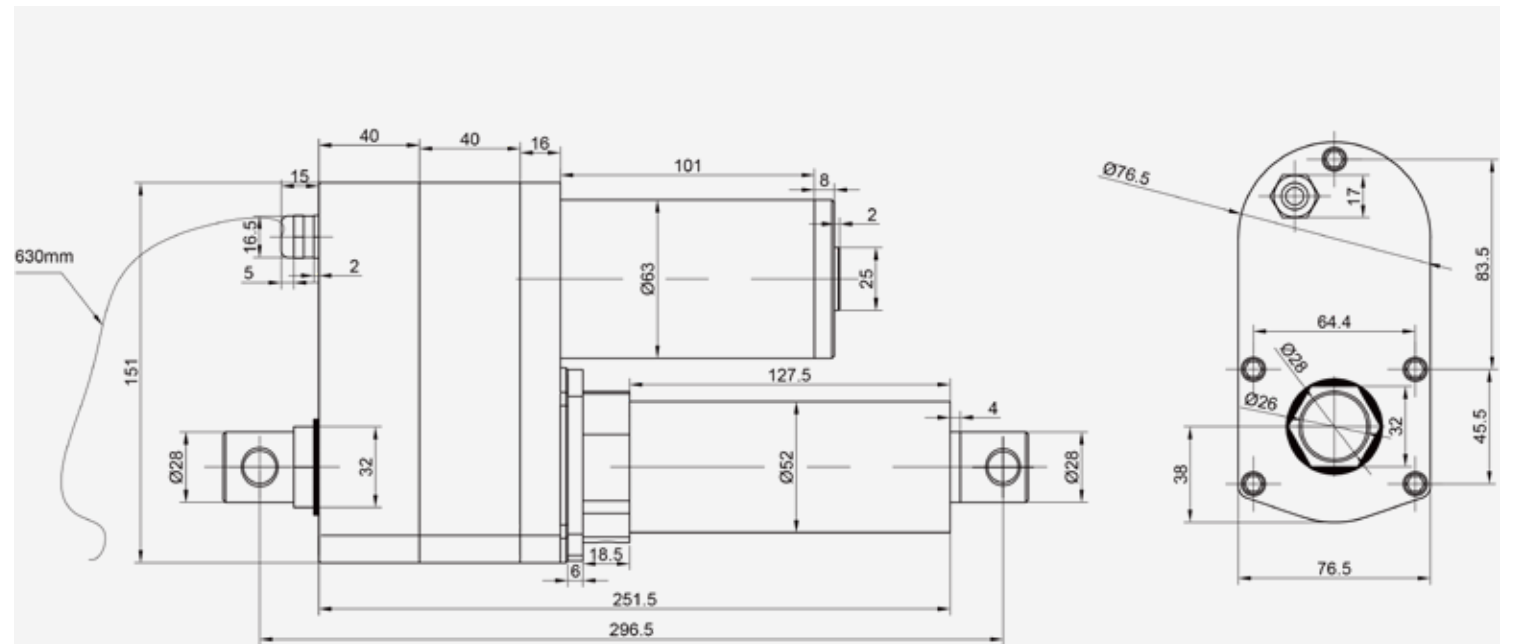
- 1、铝合金材质, 采用直流电机齿轮减速  
Aluminum Alloy With De Motor Gear Slowdown
- 2、标准保护等级: IP65  
Standard Protection Level: Ip65
- 3、内置限位开关(不可调)  
Built-in Limit Switch: Not Adjustable
- 4、噪声级56dB(A)测量方法传动器未加载  
Noise Level: 56db(a) Measurement Method The Actuator Is Not Loaded
- 5、认证: CE  
Certificate: Ce
- 6、环境温度: -40~+102°C  
Operating Temperature Limits
- 7、工作频率: 1~20%  
Full Load Duty Cycle

# 工业推杆 GYTL

Linear Actuator With Encoder



外形图 DRAWING



型号: GYTL  
单位: mm

## 规格表 SPECIFICATION LIST

确定行程	确定电压	确定速度与推力	
多行程可选	电压	速度(mm/s)	推力(N)
10-1000mm	24V	8	8000
		16	4000

## 产品应用 APPLICATION

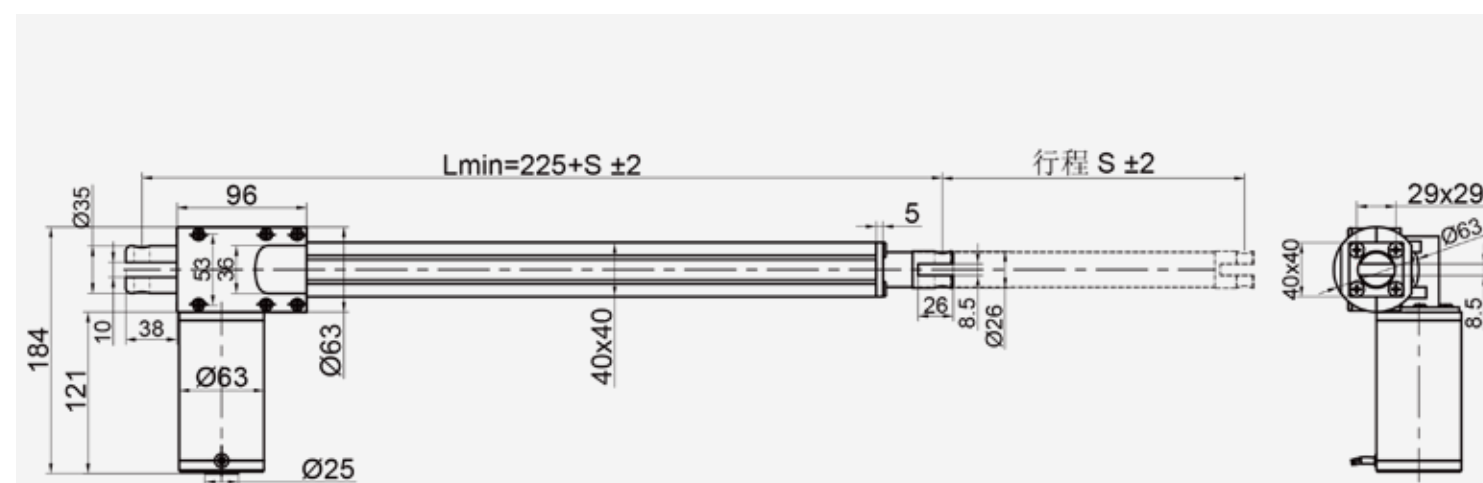


## 方型材大推杆 FDTL

Linear Actuator With Elat Base



## 外形图 DRAWING



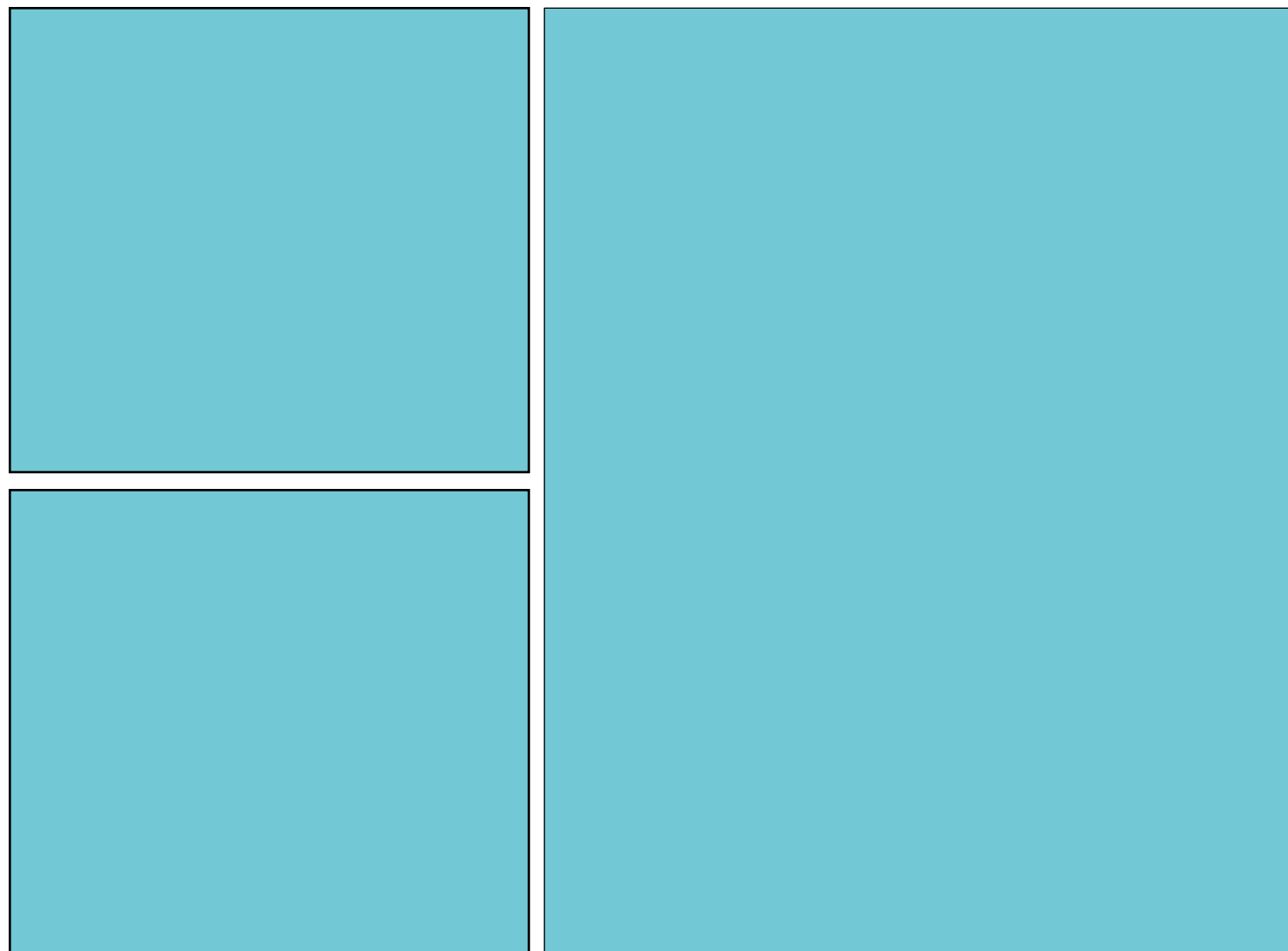
型号:FDTL  
单位:mm



规格表 SPECIFICATION LIST

确定行程	确定电压	确定速度与推力	
多行程可选	电压	速度(mm/s)	推力(N)
10-2500mm	24V	20	4000
		40	2000

产品应用 APPLICATION



06

WFTL LINEAR ACTUATOR  
WFTL 系列

技术参数

- 1、镀铬伸缩杆、钢性好、摩擦系数低  
Aluminum Alloy + ABS Engineering Plastics
- 2、高强度摆臂、承受扭力范围大  
Standard Protection Level: Ip54
- 3、纯铜电机、马力强劲  
Built-in Micro Protection Module
- 4、噪声级42dB(A)测量方法传动器未加载  
Noise Level: 42db(a) Measurement Method The Actuator Is Not Loaded
- 5、认证:CE  
Certificate: Ce
- 6、工作效率:10%  
Full Load Duty Cycle

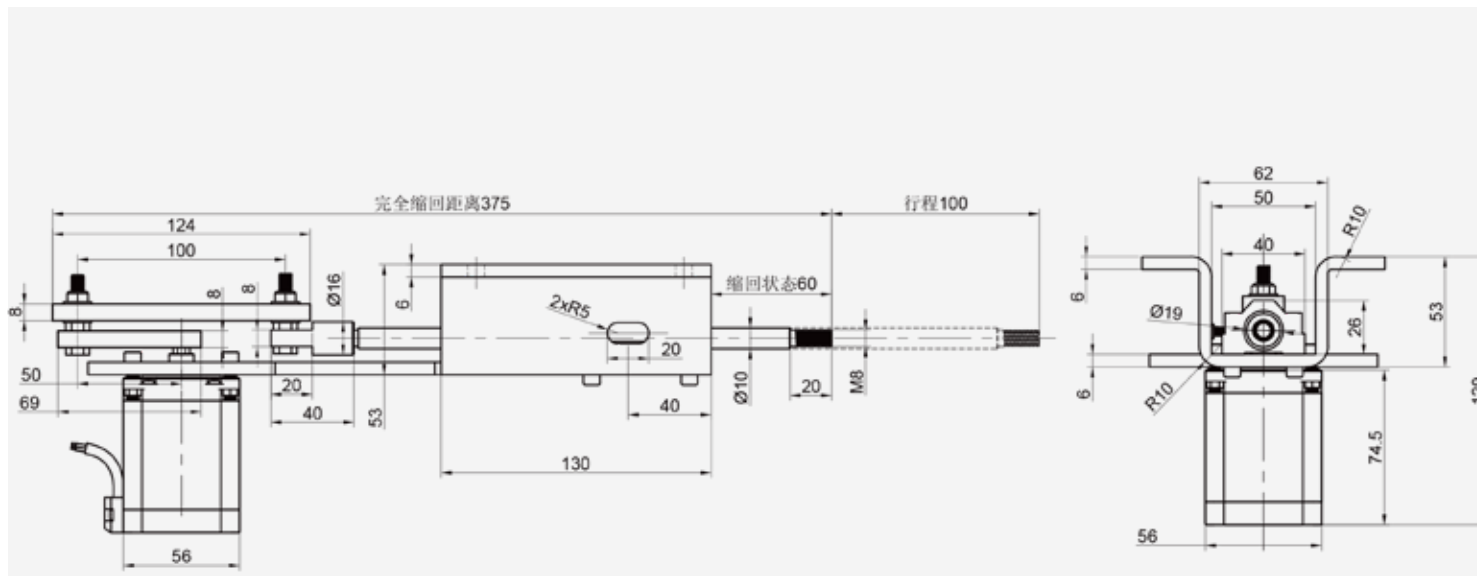


# 往复推杆 WFTL

Guide Slide Linear Actuator With Stepper Moto



## 外形图 DRAWING

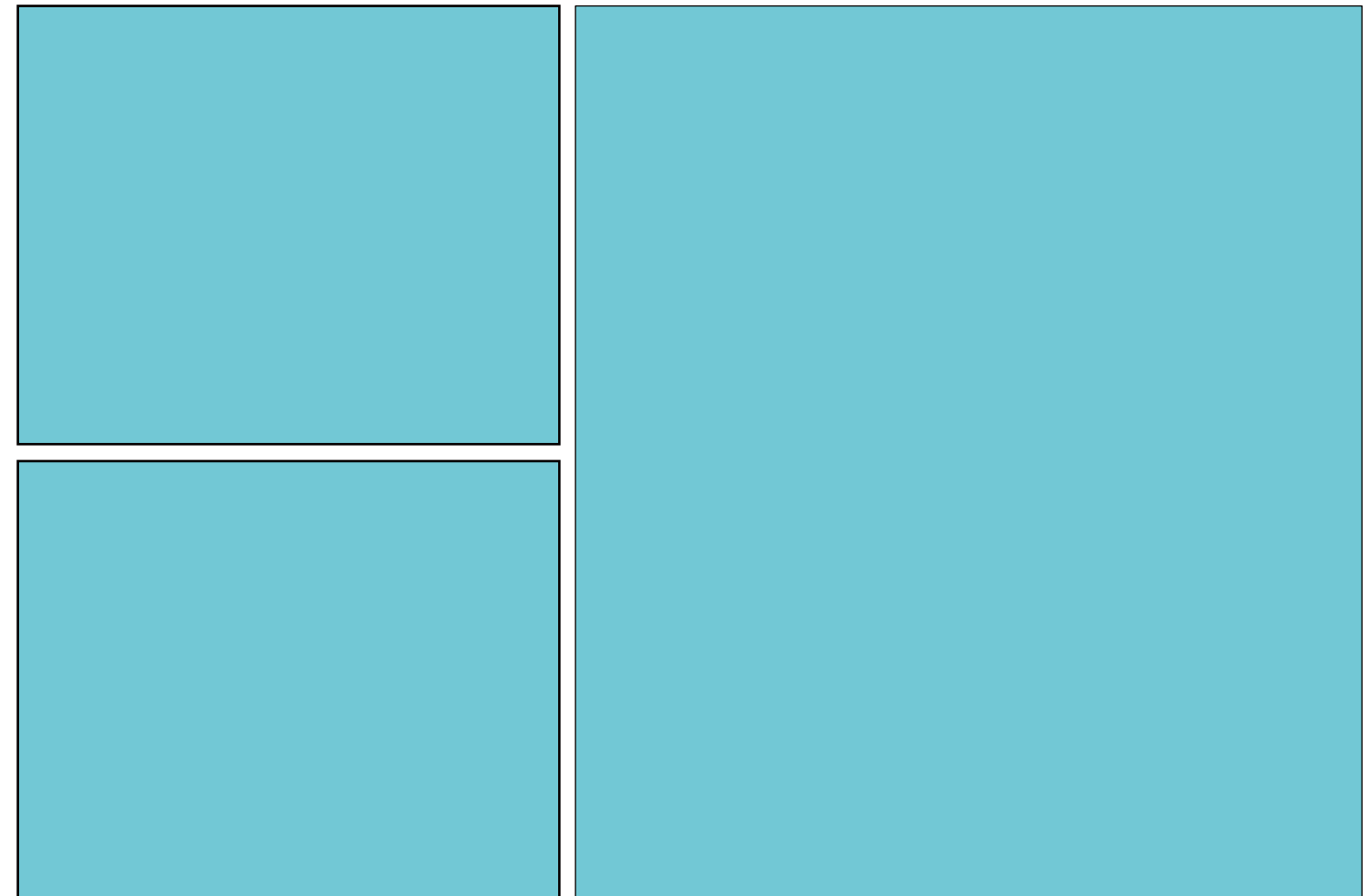


型号: WFTL  
单位: mm

## 规格表 SPECIFICATION LIST

确定行程	确定电压	确定速度与推力	
行程	电压	转速(次/分钟)	推力(N)
1000mm	24V	500	4000

## 产品应用 APPLICATION



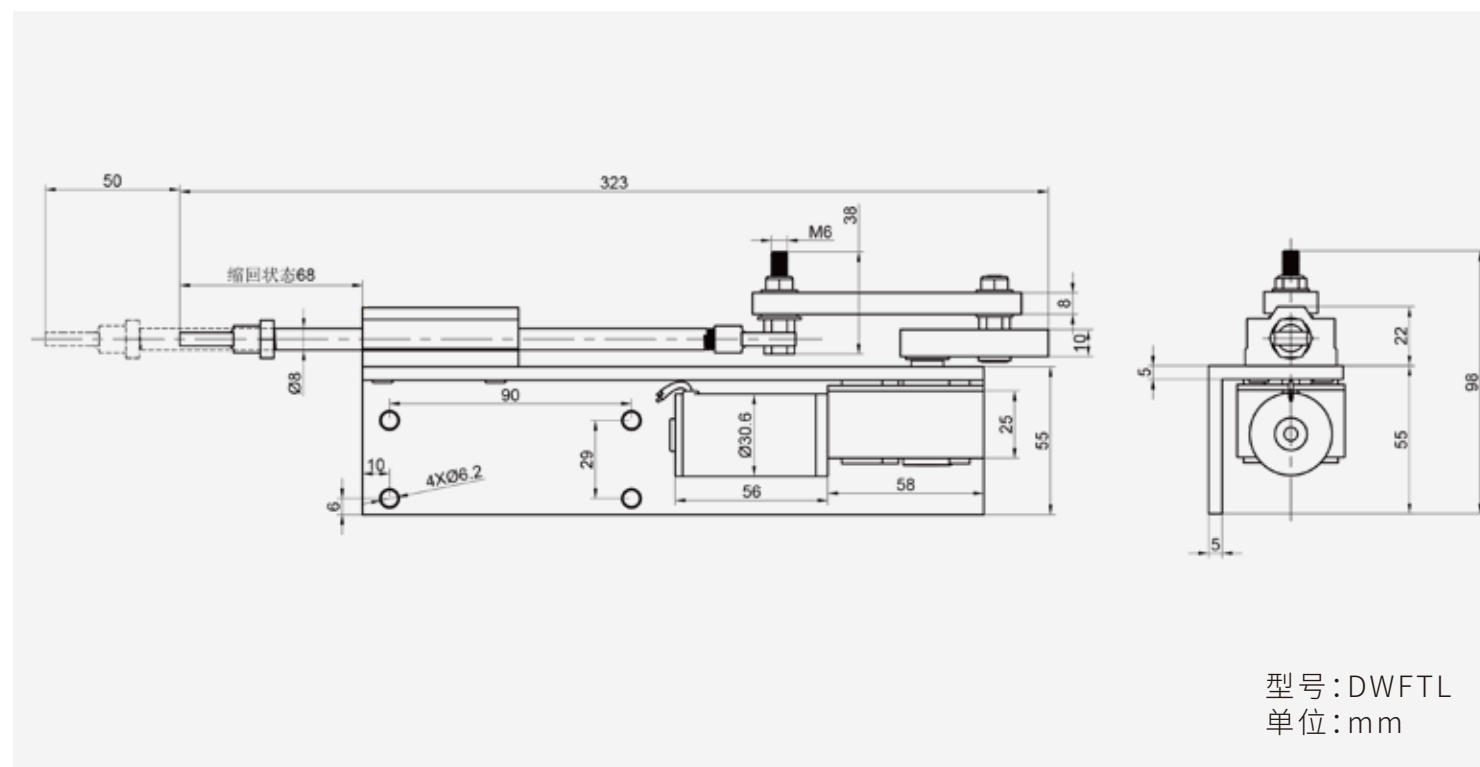


# 往复推杆(大) DWFTL

Guide Slide Linear Actuator With Stepper Moto



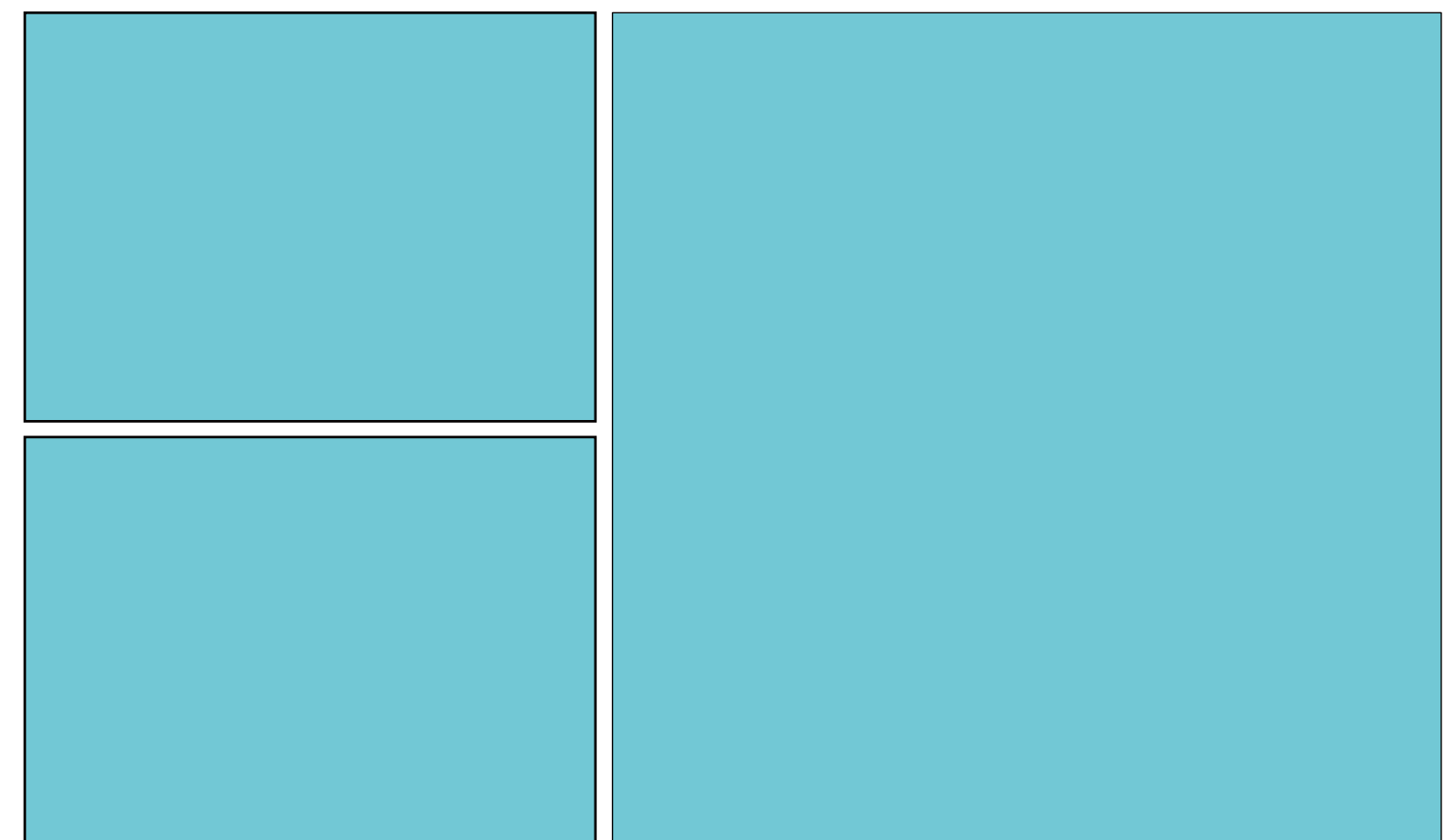
## 外形图 DRAWING



## 规格表 SPECIFICATION LIST

确定行程	确定电压	确定速度与推力	
多行程可选	电压	转速(次/分钟)	推力(N)
30/50/70mm	12V	0-40	60
30/50/70mm		0-60	
15/20mm		0-120	
15/20mm		0-60	
15/20mm	24V	0-120	

## 产品应用 APPLICATION

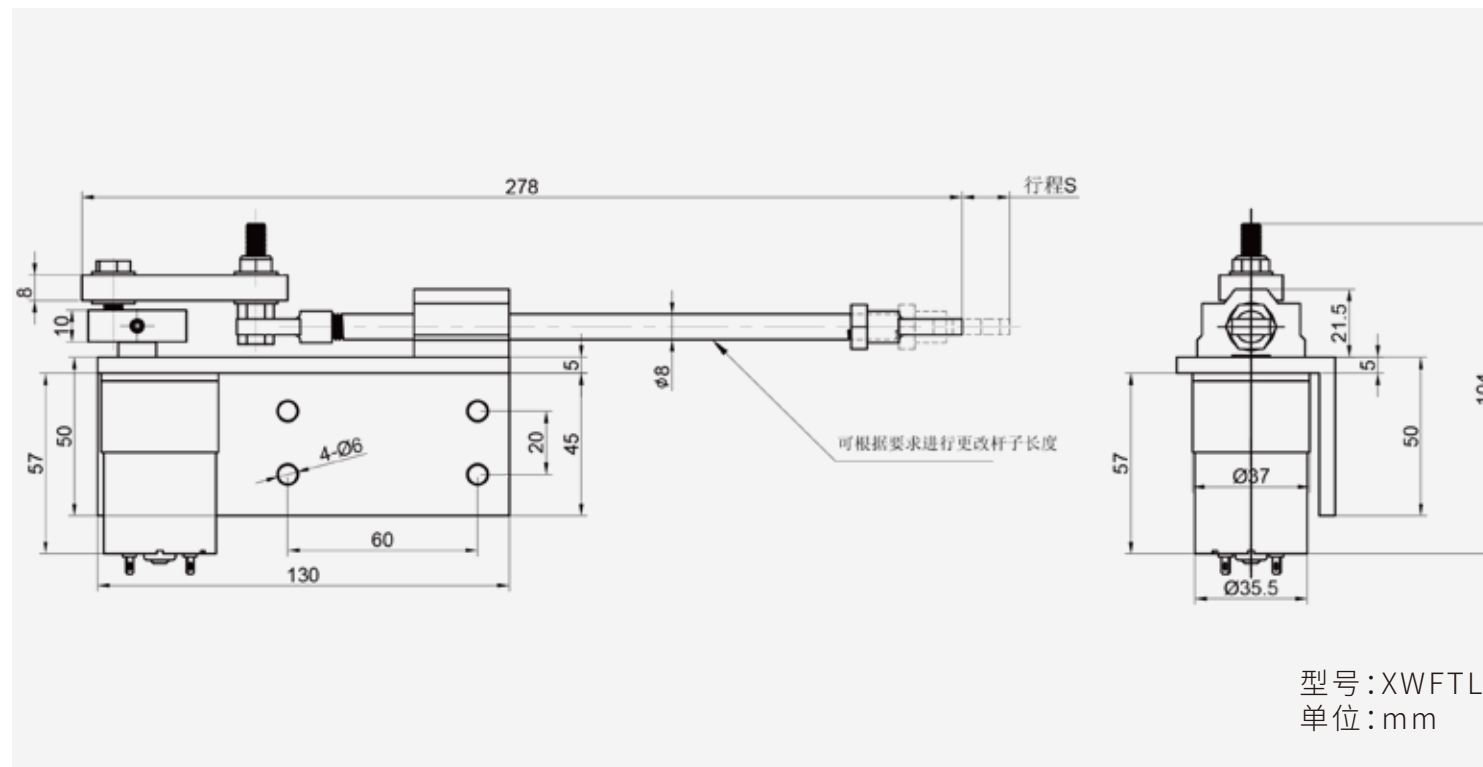


# 往复推杆(小) XWFTL

Guide Slide Linear Actuator With Stepper Moto



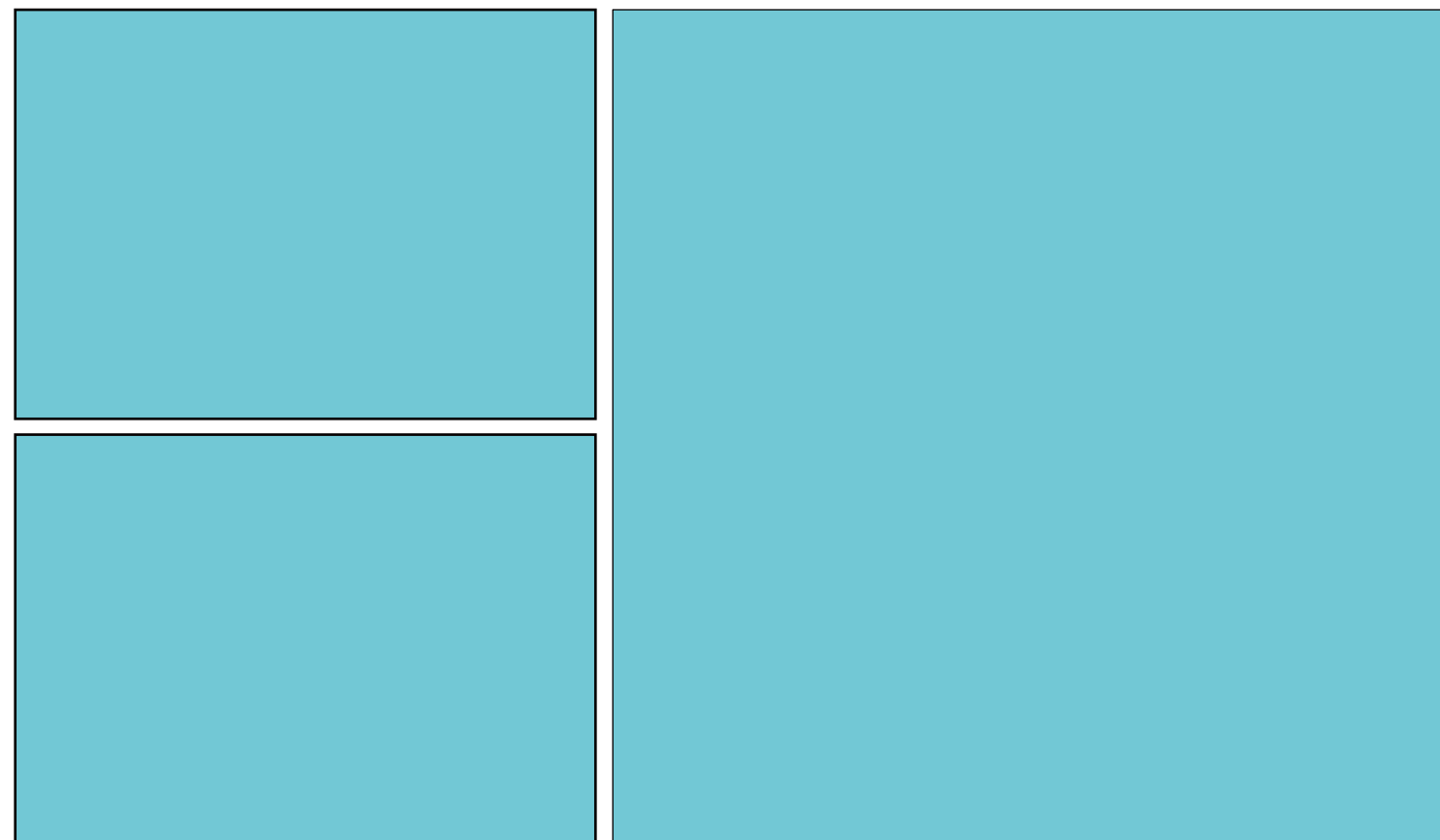
## 外形图 DRAWING



## 规格表 SPECIFICATION LIST

确定行程	确定电压	确定速度与推力	
多行程可选	电压	转速(次/分钟)	推力(N)
30/50/70mm	12V	0-40	60
30/50/70mm		0-60	
15/20mm		0-120	
15/20mm		0-60	
15/20mm	24V	0-120	

## 产品应用 APPLICATION





# 01

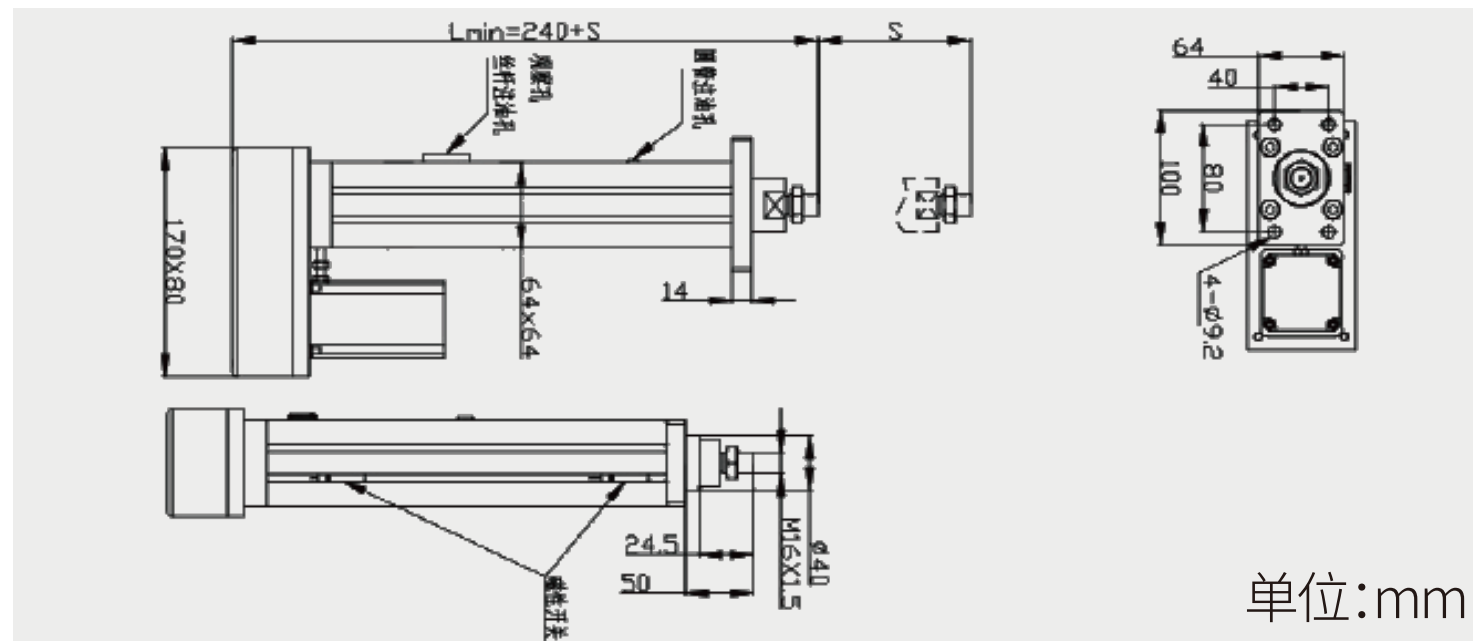
## BIG ELECTRIC CYLINDER 大电动缸

### 产品参数

- 升降方式: 丝杠传动  
Lifting mode: screw drive
- 杆径: 39.95mm  
Rod diameter: 39.95mm
- 减速比: 1: 10  
Reduction ratio: 1:10
- 丝杠导程: 5MM  
Lead of lead screw: 5mm
- 最小安装距离: 240mm±S  
Minimum installation distance: 240mm ± s
- 最大安装距离: 240mm±2S  
Maximum installation distance: 240mm ± 2s



## 外形图 DRAWING



## 规格表 DRAWING

参数	HBS57			单位
	最小值	典型值	最大值	
连续输出电流	0	-	7.0	A
输入电源电压	+16	+36	+70	VDC
逻辑输入电流	7	10	20	mA
编码器电流			50	mA
脉冲频率	0	-	300	kHz
绝缘电阻	500			M

冷却方式	自然冷却或外加散热器	
使用环境	使用场合	尽量避免粉尘、油雾及腐蚀性气体
	温度	0°C - 50°C
	湿度	40-90%RH
	震动	5.9m/s <sup>2</sup> Max
保存温度	-20°C - +80°C	
重量	约 285 克	

## 产品应用 APPLICATION





# 02

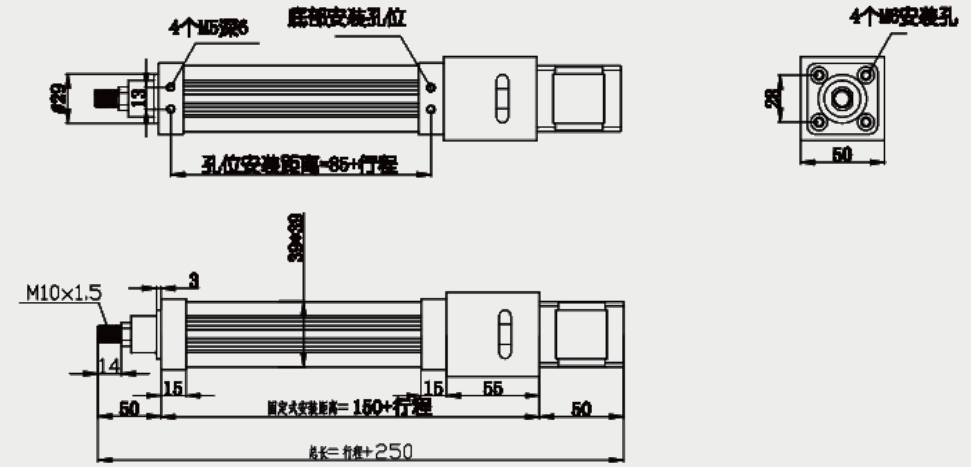
## MINI ELECTRIC CYLINDER 小电动缸

### 产品参数

- 升降方式: 丝杠传动  
Lifting mode: screw drive
- 杆径: 39.95mm  
Rod diameter: 39.95mm
- 减速比: 1: 10  
Reduction ratio: 1:10
- 丝杠导程: 5MM  
Lead of lead screw: 5mm
- 最小安装距离: 240mm±S  
Minimum installation distance: 240mm ± s
- 最大安装距离: 240mm±2S  
Maximum installation distance: 240mm ± 2s



## 外形图 DRAWING



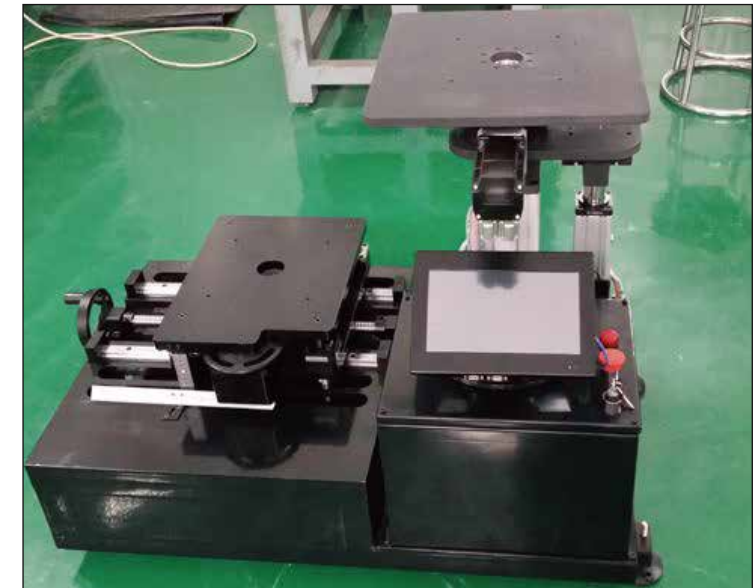
单位:mm

## 规格表 DRAWING

参数	HBS57			
	最小值	典型值	最大值	单位
连续输出电流	0	-	7.0	A
输入电源电压	+16	+36	+70	VDC
逻辑输入电流	7	10	20	mA
编码器电流			50	mA
脉冲频率	0	-	300	kHz
绝缘电阻	500			M

冷却方式	自然冷却或外加散热器	
使用环境	使用场合	尽量避免粉尘、油雾及腐蚀性气体
	温度	0°C - 50°C
	湿度	40-90%RH
	震动	5.9m/s <sup>2</sup> Max
保存温度	-20°C - +80°C	
重量	约 285 克	

## 产品应用 APPLICATION



# LOUIE CONTROL SERIES

## 开关系列 APPLICATION



手控器 (四条线) SKKL01  
Handcontroller (four wires)



手控器 (三条线) SKKL02  
Handcontroller (three wires)



手控器 (三条线) SKKL03  
Handcontroller (three wires)



脚踏开关 JTKL  
Foot controller



小遥控器 YKKL01  
Mini remote



透明卡座 TMKZ  
Transparent holder

## 控制器系列 APPLICATION



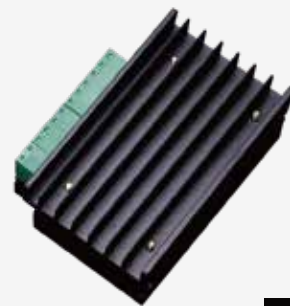
往复器 WFKL  
Reciprocator



定时器 DSKL  
Timer



步进电机控制器 BJKL  
Stepper electric controller



驱动 QDKL  
Drive



调速器 DSKL  
Governor



继电器 JDKL  
Relay

## 电源系列 APPLICATION



变压器 (圆形插口) QDKL01  
Transformer (round socket)



变压器 (直控) BYKL02  
Transformer (direct control)



大变压器 BYKL03  
Big transformer



## 其他搭配 APPLICATION



变压器+手控器(一拖一) SKQKL01  
Transformer + Handcontroller



变压器+遥控器(一拖二) SKQKL02  
Transformer + Big Remote



变压器+大遥控器(一拖二) SKQKL03  
Transformer + Big Remote

## 安装配件 APPLICATION



卡箍 KGFL01  
Clamp



南京卡箍 KGFL02  
Nanjing Clamp



小支架 ZJFL01  
Brackets



大支架 ZJFL02  
Big Brackets



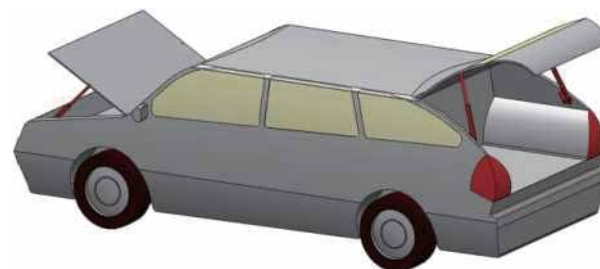
黑色支架 ZJFL03  
Black Brackets



微型支架 ZJFL04  
Mini Brackets

# PRODUCT APPLICATION 产品应用

### 轿车后备箱前引擎盖 Car Trunk And Front Hood



路易的支撑型电动推杆, 广泛被用于轿车前引擎盖方便汽车检修应用在后备箱, 方便装载货物和拿取物品, 已配套国内多家(新能源)主机厂。

Louie's supporting electrical linear actuator is widely used in the car front hood to facilitate vehicle maintenance, it is used in the trunk, convenient for loading goods and taking goods from the emperor. It has matched many main engine plant in domestic.

### 餐车、敞篷车 Dining car、Convertible



餐车选用路易长款电动推杆, 可加祛污装置, 开启和关闭非常便捷, 保障食品安全。

The dining car uses Louie's linear actuator, which can add decontamination device, open and close very convenient and ensure food safety.

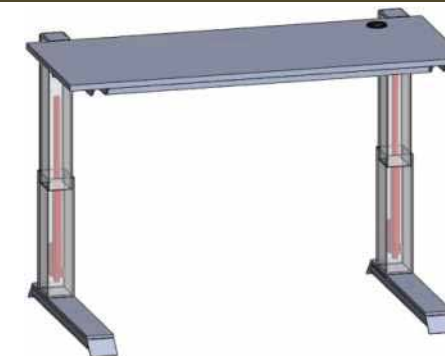
### 电动天窗 Electric Skylight



此应用最为广泛, 利用电动推杆的伸缩来控制窗户的开合, 路易电动推杆已与多家知名窗业长期合作, 推出适合各个区域不同的专用的天窗的电动推杆。

This is the most widely used, using of electrical linear actuator's extension to control the opening and closing of windows, Louie linear actuator has long-term cooperation with many well-known window industries, and has launched electrical linear actuator for special skylight in different regions.

### 儿童桌学习桌办公桌 Children Table, Study Table, Office Table



利用路易电动推杆配合相关固件来调节高度, 被广泛推广及应用用于儿童桌、学习桌及办公桌等办公设备, 以达到适用不同身高人群的需求。

It is widely used in children's desk, learning table and office desk to adjust the height with Louie linear actuator to meet the needs of different height groups.



## 皮卡后备箱, 工具箱 Trunk Of Truck, Tool Box



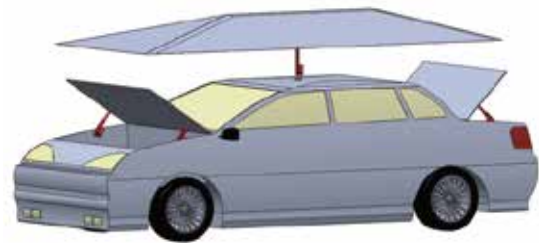
路易支撑电动推杆皮卡配套工具箱, 方便拿取收纳的工具等。  
Louie's linear actuator can be used in the kit of pickup truck, convenient to take and store tools.

## 工具箱 Tool Box



路易生产的电动推杆, 配合控制系统, 开合自如, 配套海内外多加工具箱企业。  
Louie's linear actuator with the control system, can be opened and closed freely, and is equipped with many enterprise in domestic and abroad.

## 皮卡后备箱, 工具箱 Trunk Of Truck, Tool Box



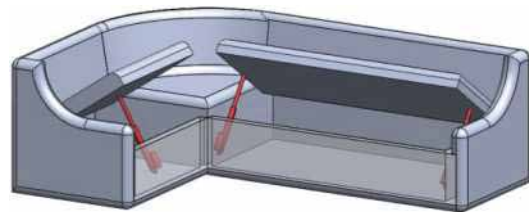
路易电动推杆辅助客户设计研发智能遥控汽车遮阳伞, 8秒自动折叠, 收合自如, 全方位保护车顶不被刮伤和碰伤。  
Louie electrical linear actuator assist customers to design and develop intelligent remote control car sunshade. It can fold automatically in 8 seconds and close freely. It can protect the roof from scratches and bumps.

## 工具箱 Tool Box



采用路易电动的未传动系统, 利用推杆行程带动从而开合百叶窗, 美观大方, 使用方便。  
The non drive system of Louie electric is adopted, and the shutters are opened and closed by using the stroke of linear actuator. The window is beautiful and easy to use.

## 储物沙发 Storage Sofa



路易配套储物沙发有支撑电动推杆和带支架系列, 储物方便, 坚固耐用, 节约和美化空间。  
Louie linear actuator can also match storage sofa and brackets series, convenient storage, strong and durable, saving and beautifying space.

## 医疗护理床 Medical Bed



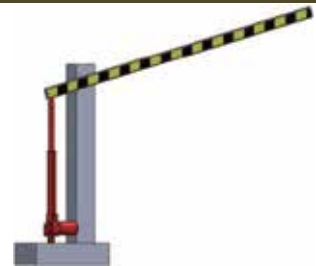
路易的大推杆广泛被用于医疗护理床, 手术床等, 其优点噪音小, 操作灵活简便, 同时具有过载保护和静音装置。  
Louie DTL linear actuator is widely used in medical care bed, operating bed and so on. Its advantage is low noise. The operation is flexible and simple, with overload protection and silencing device.

## 门禁系统 Entrance Guard System



路易拉力电动推杆可以用于提升阁楼的伸缩楼梯, 方便客户使用, 省力且美观。  
Louie pull electric linear actuator can be used to lift the telescopic stairs of attic, which is convenient for customers to use, labor-saving and beautiful.

## 伸缩楼梯 Telescopic Stairs



路易电动推杆配合感应器使用, 可以靠感应自动开合, 便捷安全。  
Louie pull electric linear actuator can be used to lift the telescopic stairs of attic, which is convenient for customers to use, labor-saving and beautiful.



## 部件报告 COMPONENT REPORT

